

Operator's Guide

SINGER

143B6 143B6R

SPECIFICATION

143B6 LOWER FEED
143B6R LOWER FEED WITH PULLER

1-NEEDLE, ZIGZAG SEWING MACHINE, LARGE HOOK
FOR EXTRA HEAVY MATERIALS

MAX. SPEED: 1,200 S.P.M.

MAX. STITCH LENGTH: 8 MM

MAX. STITCH WIDTH: 12.7 MM

PRESSER LIFT: 10 MM

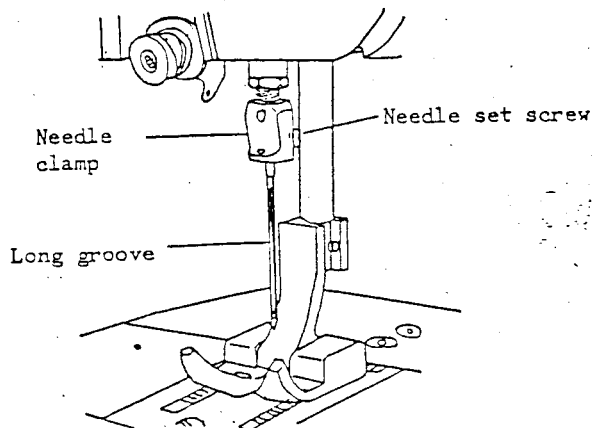
NEEDLE BAR STROKE: 50.8 MM

BED SIZE: 250 X 250 MM

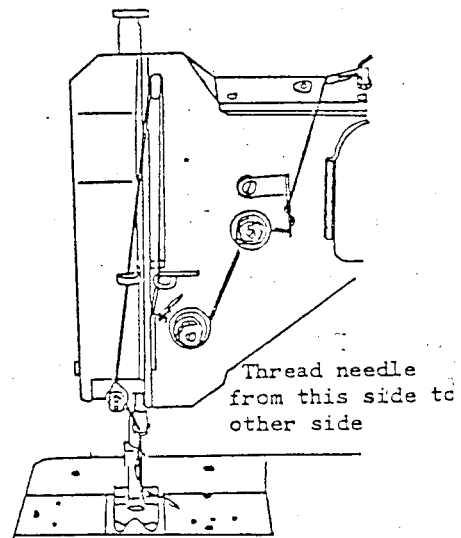
USE: CARPET, FISHING NET,
TRAVEL BAG, ETC.

NEEDLE

Move needle bar to highest point.
Loosen needle set screw.
Insert needle up as far as possible and
tighten screw. Long groove towards operator.



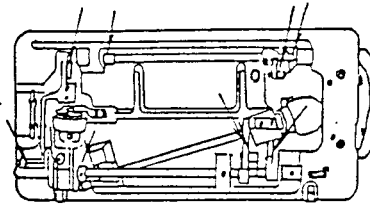
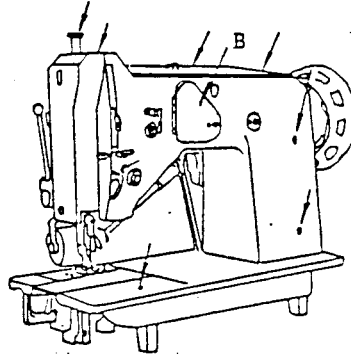
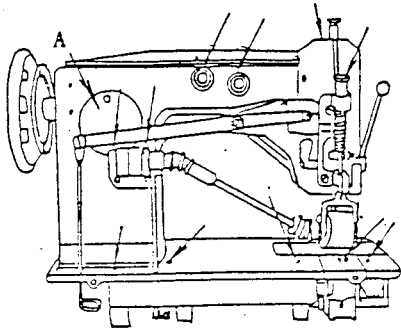
THREADING NEEDLE



LUBRICATION

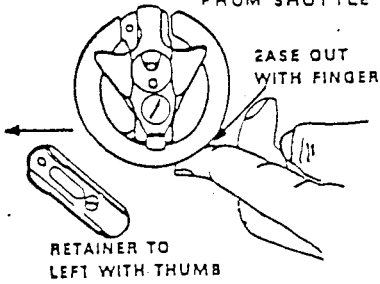
TWICE DAILY
(More Frequently
With Severe Use)

Open A, B and C, oil to respective necessary parts and parts indicated by arrow marks.

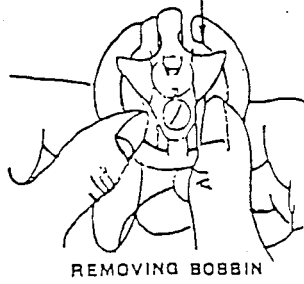


BOBBIN REMOVAL

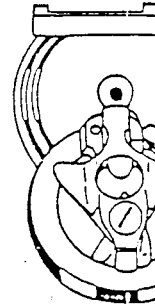
REMOVING BOBBIN CASE
FROM SHUTTLE



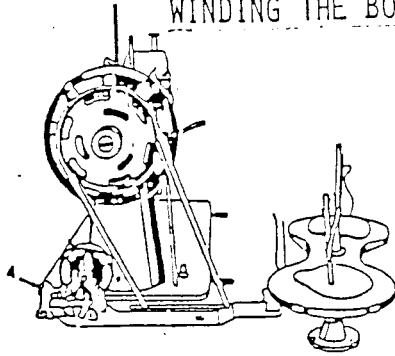
PRESS OUT
WITH THUMBS



BOBBIN CASE

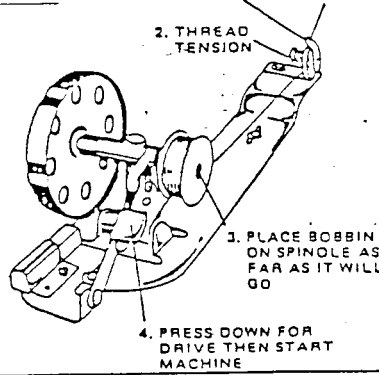


WINDING THE BOBBIN

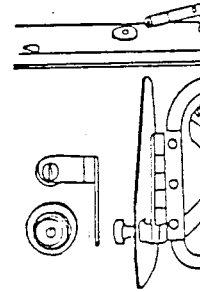


1. THREAD GUIDE

2. THREAD
TENSION

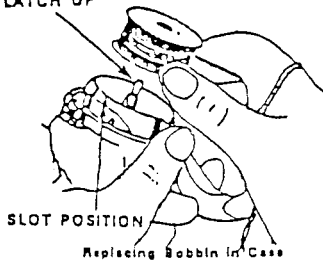


ADJUSTMENT



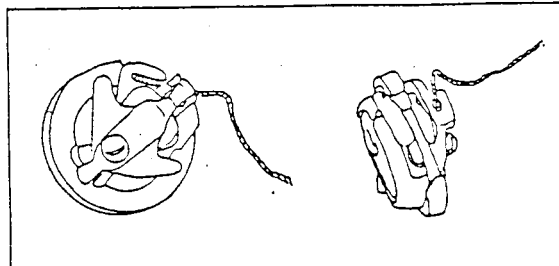
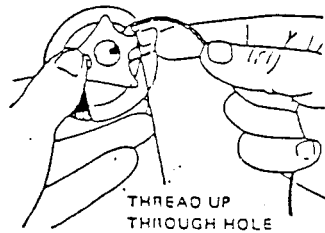
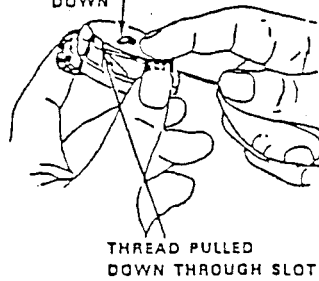
THREADING BOBBIN CASE

LATCH UP



THREADING THROUGH SLOT

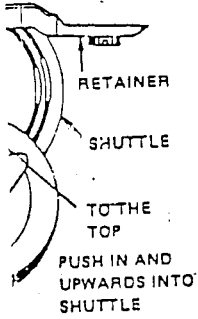
PRESS LATCH
DOWN



ADJL

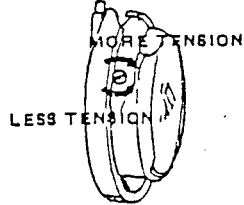


REPLACEMENT



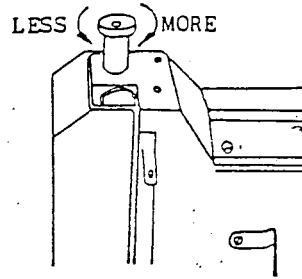
THREAD TENSIONS

DOUBLE THREAD

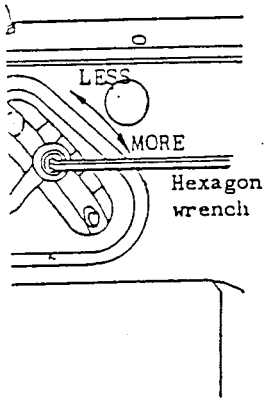


Tension on threads should be as light as possible, while still sufficient to set stitch correctly in material.

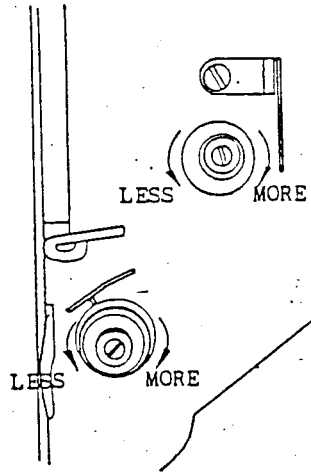
PRESSER FOOT PRESSURE



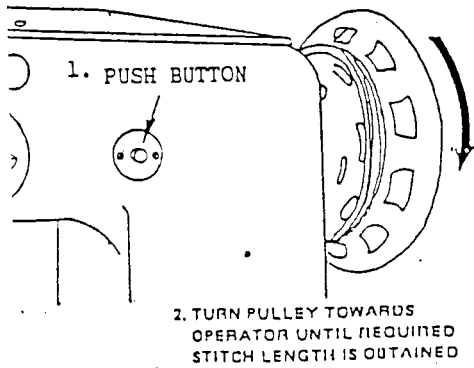
STITCH WIDTH



THREAD TENSION



ADJUSTMENT STITCH LENGTH



MADE IN JAPAN

Form U3768 (687)
Part No. 379137-002