

SINGER
124-1

Form 18838
Rev. (1261)

Printed in U. S. A.

INSTRUCTIONS
FOR USING AND ADJUSTING
SINGER*
SEWING MACHINE

124-1

FOR STITCHING BAGS



*A Trademark of THE SINGER COMPANY

THE SINGER COMPANY

Copyright © 1936 by The Singer Company

DESCRIPTION

MACHINE 124-1 is designed for making bags from heavy burlap and other heavy weight fabrics. It sews the bags with either the single thread chain stitch or the two thread chain stitch and can be instantly adjusted to make stitches varying from $3/8$ to $3/4$ inch in length. It is fitted with a positive drop feed and two separately hinged compensating presser feet. The presser feet have a lift of $5/8$ inch so that stitching across thick seams is accomplished without difficulty.

Speed

The maximum speed recommended for Machine 124-1 is 1800 stitches per minute, depending on the nature of the material being sewn, length of stitch and thread being used. When the machine is in operation, the top of the balance wheel must turn over from the operator.

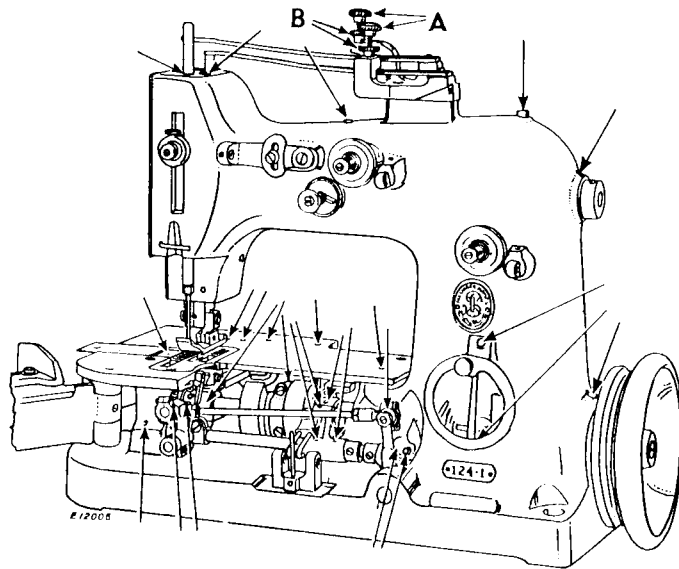


Fig. 1. Oiling Points at Front of Machine

To Oil the Machine

Use "TYPE B" or "TYPE D" OIL, sold by Singer Sewing Machine Company. Use "TYPE D" OIL when an oil is desired which will produce minimum stain on fabrics, even after long period of storage.

When the machine is received from the factory, it should be thoroughly cleaned and oiled. Oil should be applied at the places indicated by arrows in Figs. 1 and 2. Swing up the round cover plates at the front and rear of the machine and oil the moving parts inside, then replace the cover plates. When the machine is in continuous use, it should be oiled at least twice each day.

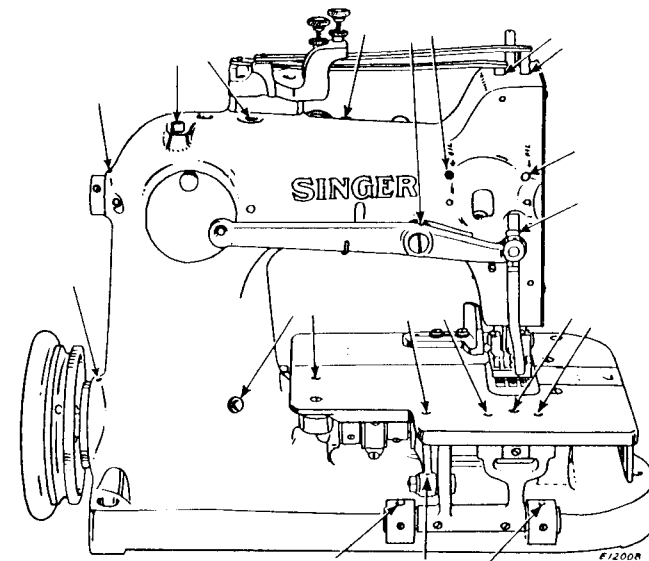


Fig. 2. Oiling Points at Rear of Machine

Needles

Needles for Machines 124-1 are of Catalog 5060 (124x2) and Catalog 5068 (124x4). Catalog 5060 needles are made in sizes 25, 26, 27, 28, 29, 30 and 31, and Catalog 5068 needles are made in sizes 32 and 34.

The size of the needle to be used should be determined by the size of the thread, which must pass freely through the eye of the needle.

Orders for needles must specify quantity required, size number, and Catalog number. The following is an example of an intelligible order:

"100 Size 30, Catalog 5060 Needles"

"100 Size 32, Catalog 5068 Needles"

The best results will be obtained when using needles sold by Singer Sewing Machine Company.

To Set the Needle

Turn the machine pulley over from you until the needle bar is at its highest point. Loosen the clamping nut at the bottom of the needle bar, and push the needle up into the bar as far as it will go with the long groove of the needle to the front, then securely tighten the clamping nut.

To Thread the Needle

(See Fig.3)

Pass the thread from the unwinder, from right to left through the thread guide (1), over between the tension discs (2), under and between the nipper discs (3), through the eyelet in the thread controller (4), over between the needle bar take-up retainer discs (5), down into the thread guide (6) and from front to back through the eye of the needle (7).

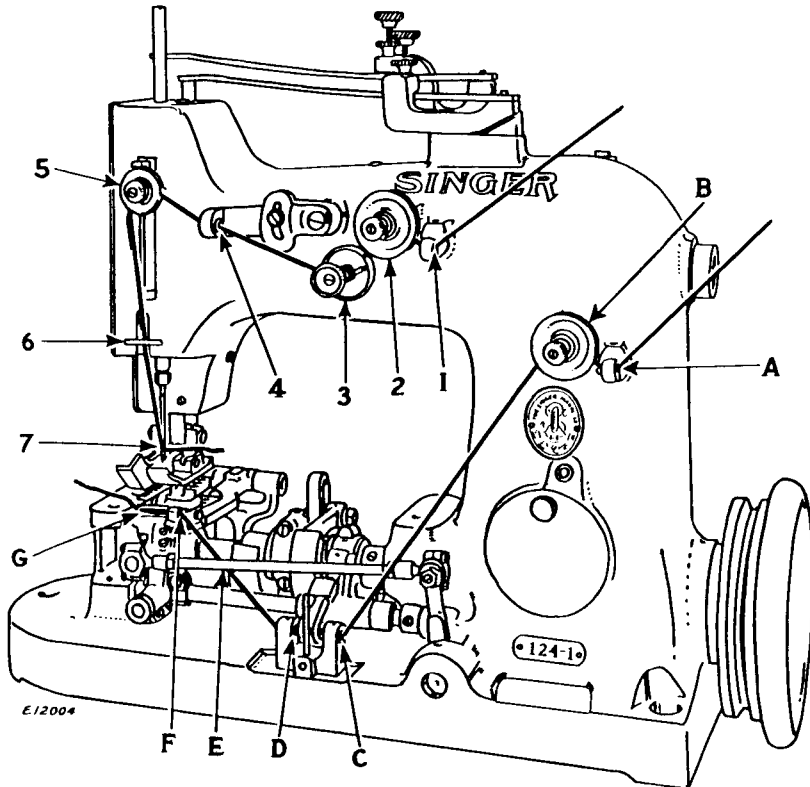


Fig. 3. Threading of Machine

To Thread the Looper

(See Fig.3)

Pass the thread from the unwinder, from right to left through the thread guide (A), over between the tension discs (B), down and from right to left through the two thread take-up guides (C and D), up, back of the looper carrier pitman (E), through the hole (F) in the heel of the looper and from front to back through the eye of the looper (G).

To Regulate the Length of Stitch

The length of stitch is determined by the position of the feed eccentric connection (K, Fig.5). To make a shorter stitch, loosen the nut (L, Fig.5) and move the connection (K) upward in the slot. To make a longer stitch, move the connection downward in the slot. Then tighten the nut (L).

To Regulate the Pressure on the Material

The pressure of the presser feet on the material should be just heavy enough to feed the work positively. Uneven pressure will tend to make the work feed to one side, and the two presser feet may be adjusted separately to compensate for a greater thickness of work on one side of the needle. The pressure is adjusted by means of the thumb screws (A, Fig.1), after loosening their lock nuts (B, Fig.1).

To Change from Single Thread Chain Stitching to Two-Thread Chain Stitching or Vice Versa

Looper 122028 has an eye near its point and must be used for two-thread chain stitching.

Looper 122029 has no eye and must be used for single thread chain stitching.

To change the loopers, loosen the two screws (N, Fig.5) which hold the looper in place and remove the looper. Set the desired looper down into the looper carrier as far as it will go, then tighten the two screws (N) against the flat on the looper shank. The upper threading and adjustment of the machine are the same for single thread chain stitching as for two-thread chain stitching.

Tensions

The tension on the needle thread is controlled by the thumb nut at the front of the tension discs (2, Fig.3). This tension should be as light as possible for the type of work being done.

The tension on the looper thread is controlled by the thumb nut at the front of the tension discs (B, Fig.3). This tension should be only heavy enough to keep the looper thread take-up from pulling thread from the tension discs instead of from the looper on the back stroke of the looper.

INSTRUCTIONS FOR ADJUSTERS AND MECHANICS

To Set the Needle Bar

Turn the machine pulley over from you until the point of the looper is at the center of the needle on the upward stroke of the

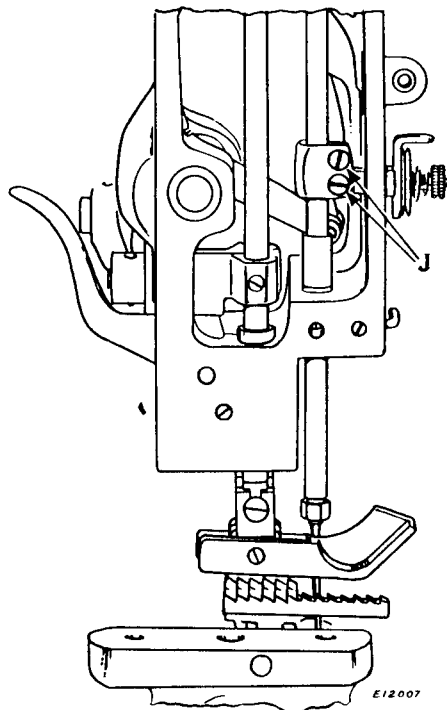


Fig. 4.

needle bar. When the looper is in this position, the top of the eye of the needle should be about 1/8 inch below the point of the looper. When making the two-thread chain stitch, the eye of the looper should be in line with the eye of the needle when they pass each other.

To set the needle bar at the correct height, loosen the clamping screws (J, Fig. 5) and move the needle bar upwardly or downwardly as required, then securely tighten the clamping screws (J).

To Set the Looper the Correct Distance from the Needle

When the needle bar is at its lowest position, the point of the looper should be approximately 11/32 inch from the center of the needle.

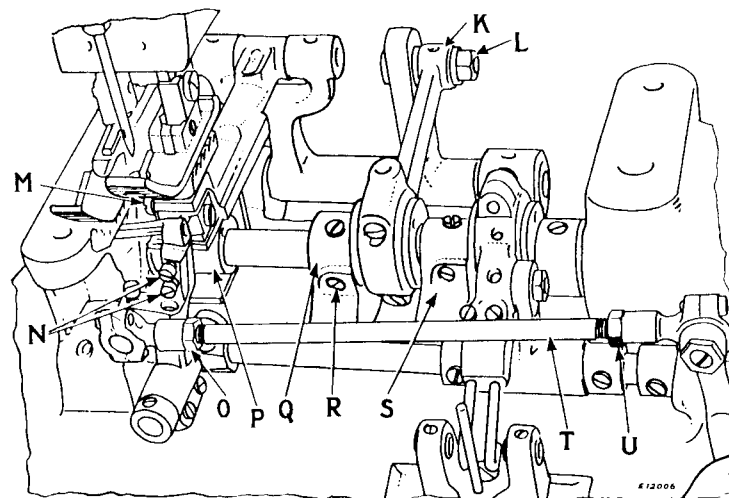


Fig. 5

To obtain the correct distance between the center of the needle and the point of the looper, loosen the two lock nuts (O and U) at both ends of the looper carrier pitman (T, Fig. 5) and revolve the pitman as required to bring the looper to the desired position. Then hold the pitman while tightening the two lock nuts.

The timing of the needle-avoiding motion of the looper is fixed by having the forward set screw in the looper eccentric bear against the flat surface on the shaft.

To Set the Feed Dog

The feed dog is usually set so that when it is raised to its highest point, the full depth of the teeth project above the top surface of the throat plate. For some thicknesses of material, it may be necessary to change the height of the feed dog. To do this, take out the screw (M, Fig. 5) and remove the feed dog. The feed dog should rest on the stop screw underneath it, and this stop screw may be set higher or lower, as desired. Replace the feed dog and tighten the screw (M).

Timing the Feed

The feeding motion of the feed dog should begin just as the needle leaves the goods.

The timing of the feed eccentric (Q, Fig. 5) is fixed by having the forward set screw (R) in the eccentric bear against a flat surface on the shaft.

The timing of the feed lifting cam (P, Fig. 5) is fixed by having its set screw bear against a flat surface on the shaft.

To Adjust the Needle Thread Controller

The function of the needle thread controller (4, Fig. 3) is to assist in setting the stitch. It should be set just high enough so that the loop of needle thread on the looper is taut but not under tension as the looper backs out of it on the downward stroke of the needle bar.

To Set the Needle Thread Nipper

The automatic needle thread nipper (3, Fig. 3) makes it possible to set the stitch tightly without using a heavy tension on the needle thread. The thread nipper should nip the thread immediately after the looper has cast off the needle loop on the downward stroke of the needle bar. It should release the thread on the upward stroke of the needle bar, opening wide enough to allow the needle bar thread take-up to pull thread freely from the tension discs at the top of its stroke.

To make the nipper close earlier, loosen the nipper stud set screw in the arm just above the nipper discs, and move the nipper stud outward. To increase the opening of the nipper discs, or to make the nipper close later and release earlier, move the nipper stud inward. Then tighten the set screw.

Adjustment of the Looper Thread Take-up

The looper thread take-up should engage the looper thread as the looper reaches its foremost position and should take up the slack of the thread as the looper moves back. The timing of the take-up cam (S, Fig. 5) is fixed by having one of the set screws in the cam bear against a flat on the shaft. The looper thread take-up wires should be pushed into their holder until they rest against the stop. The wires should just clear the thread as they engage it before the take-up action.