

SINGER
8P

507.72

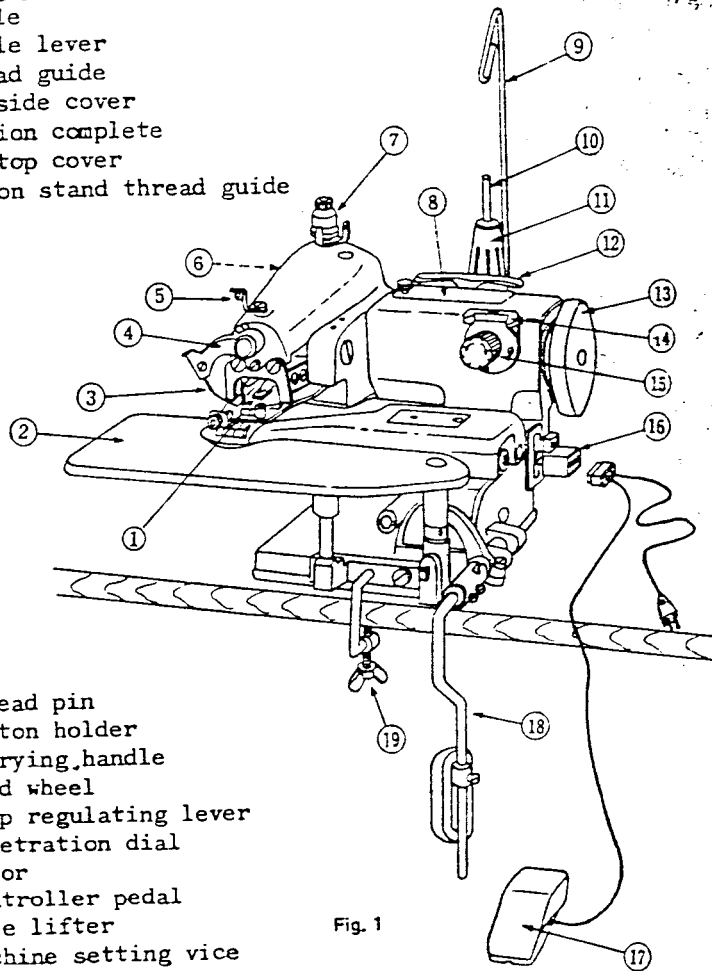
OPERATOR'S GUIDE

Model 8P

PORTABLE
BLINDSTITCH MACHINE

SOLD AND SERVICED BY **THE SINGER COMPANY**

- ① Presser foot
- ② Swing plate
- ③ Needle
- ④ Needle lever
- ⑤ Thread guide
- ⑥ Arm side cover
- ⑦ Tension complete
- ⑧ Arm top cover
- ⑨ Cotton stand thread guide

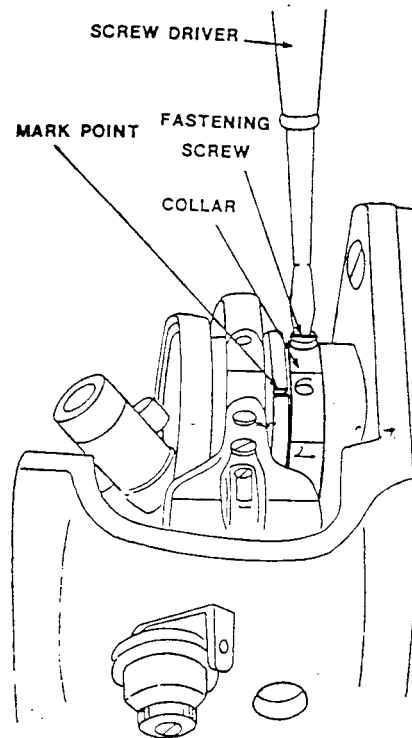


- ⑩ Thread pin
- ⑪ Cotton holder
- ⑫ Carrying handle
- ⑬ Hand wheel
- ⑭ Skip regulating lever
- ⑮ Penetration dial
- ⑯ Motor
- ⑰ Controller pedal
- ⑱ Knee lifter
- ⑲ Machine setting vice

Fig. 1

HISTORICAL COPY
DO NOT DESTROY
RETURN TO STATIONARY DEPARTMENT

VIII ADJUSTING STITCH LENGTH (fig.9)



- 1) To assure always accurate stitch length, this machine has perfect stitch control system. To change stitch length, take off the side cover, loosen fastening screw by screw-driver. Then turn hand wheel slowly by your right hand, while your left hand is holding Collar tightly by screw-driver. Adjust your desired stitch number of Collar to the Mark point, and then tighten the fastening screw.
- 2) Number on Collar represents the following stitch length ;

Collar Number :	5	6	7	9
Stitch length : in mm	3	6	8	9

Fig. 9

IX CARRYING HANDLE (fig.10)

You can carry the machine to any place by Carrying handle. Pull up the handle and carry it.

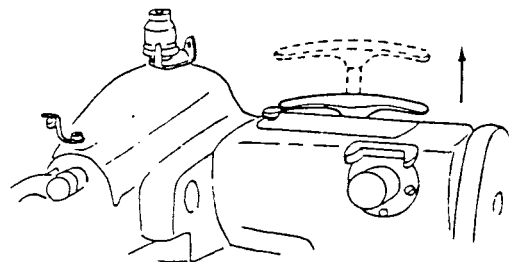


Fig. 10

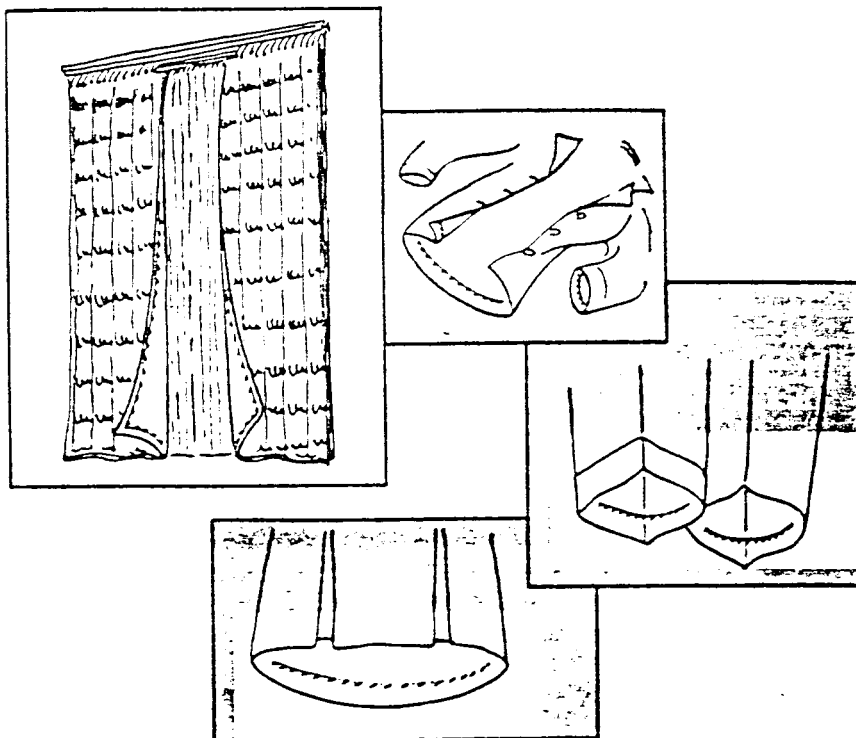
SEWING PURPOSE

• WITH SWING PLATE

Hemming and Felling works on wide skirts, curtains, cardigan, under-wears etc.

• WITHOUT SWING PLATE

Hemming and Felling on narrow openings of trousers, ladies slacks, children's jackets, Y-shirts, sleeves of sports shirts, socks, gloves etc.



MACHINE'S SPECIFICATION

Name	Portable blindstitch machine
Stitch	Single needle single thread chainstitch blindstitch
Speed	1,300 s.p.m.
Power	120W(input) 55W(output) sewing machine motor Clutch motor can also be used
Needle	Singer Cat. No. 7425 #14 Long Point
Weight	Net 10kg Gross 14kg
C'ft.	1.6 in Double carton packing

MINI IN SIZE, CAPABLE IN PERFORMANCE, CONVENIENT.
PORTABLE, BLINDSTITCH MACHINE FOR WIDE PURPOSE.

I SETTING THE MACHINE (fig.2)

- 1) Put the machine on flat table, and fix it by setting vice(19)
(Bottom of oil pan is covered by rubber cushion to prevent machine's vibration during high speed operation.)
- 2) Joint Knee lifter's rod-sleeve onto rod-shaft. Loosen clamping bolt, and adjust to get correct angle of knee lifter rod. Then tighten clamping bolt again. Position of Knee-pedal must be adjusted in the same manner.
- 3) Insert cotton stand thread-guide into hole of stand-base at the rear of machine, and tighten it by a thumb screw.

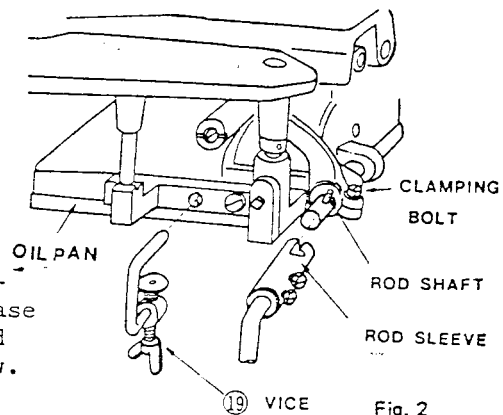


Fig. 2

II OILING INSTRUCTIONS (fig.3)

- 1) Before starting operation, supply a few drops of oil into Oil-holes as shown in the illustration by arrow.
- 2) Take-off the side-cover and supply a few drops of oil to every rotating part in side. With top-cover also do the same.

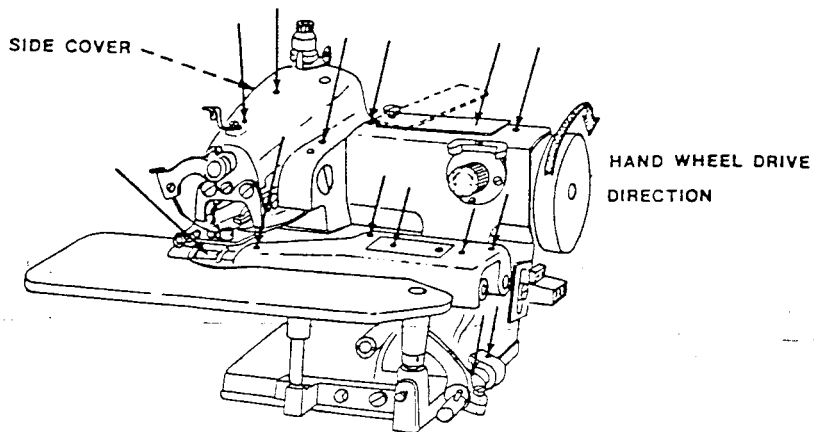


Fig. 3

III SETTING THE NEEDLE (fig.4)

- 1) Drive the hand wheel by hand to the arrow direction (fig.3) until needle lever(4) comes to the highest position. Then loosen needle clamp screw (A) and insert needle according to the groove. After the needle comes to the end of needle lever groove, tighten screw (A) by a screw driver perfectly.
- 2) Drive the hand wheel slowly and examine the needle-point which must slightly be touching needle-guide (B). If the needle point is not touching (B) correctly, adjust needle bending by your finger to the correct position.

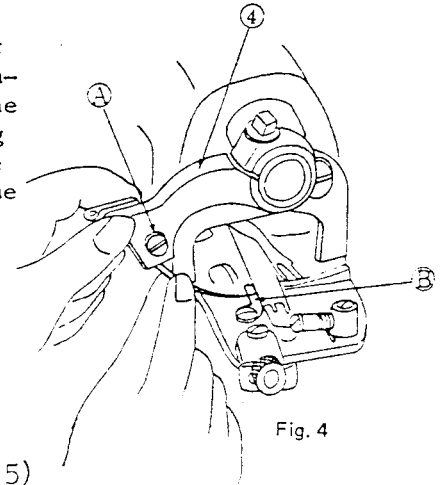


Fig. 4

IV THREADING THE MACHINE(fig.5)

- 1) Drive the hand wheel by hand so that needle-lever (4) comes to the highest position.
- 2) Thread goes according to the direction shown in fig.5.

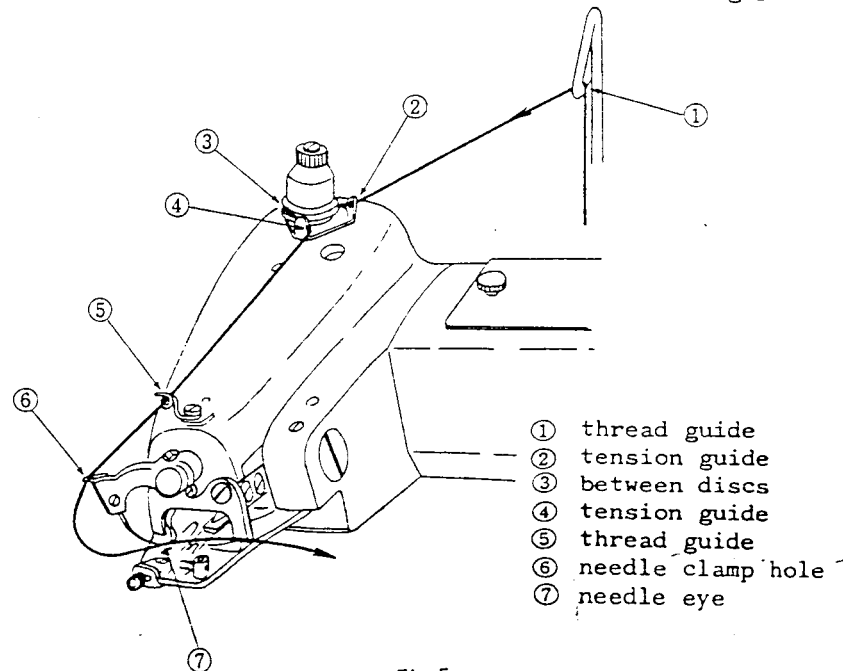
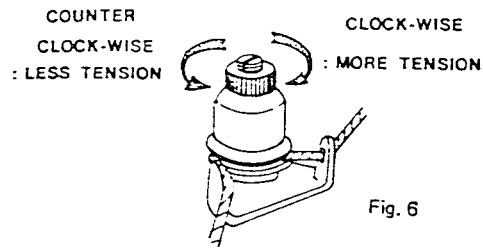


Fig. 5

V ADJUSTING THREAD TENSION (fig.6)



According to the kind of sewing cloths and thickness of thread adjust thread tension for best condition.

Fig. 6

VI ADJUSTING PENETRATION OF STITCH (fig.7)

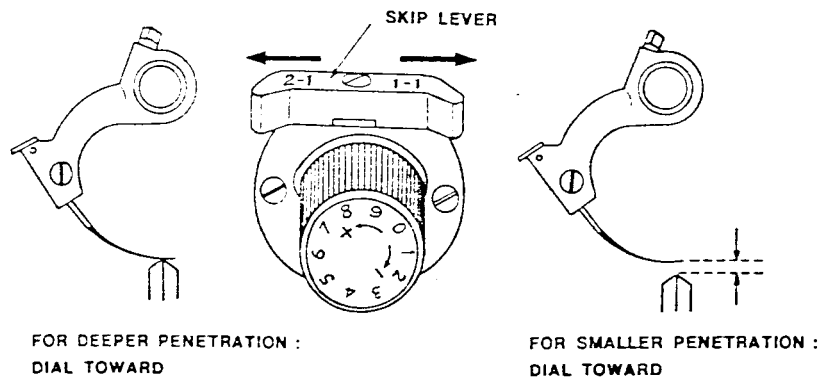


Fig. 7

VII MAKING SKIP STITCH (fig.8)

- 1) To make skip stitch, move Skip regulating lever toward 2-1 direction.
- 2) Moving Skip regulating lever to 1-1 direction, you will make non-skip blindstitch.
- 3) Skip regulating lever (14) can be easily switched at any needle-position, by using a knee lifter and lowering work bed.

Example

For stitch length 9mm, by using skip stitch you can obtain 18mm stitch.(fig.8)

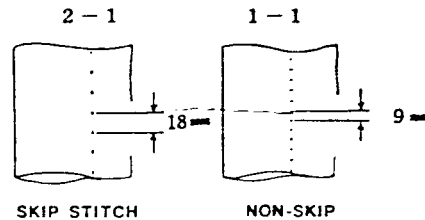


Fig. 8