

Singer 114-35

Form 19557
(1040)

Printed in U. S. A.

HISTORICAL COPY

DO NOT REMOVE

SINGER**

114-35



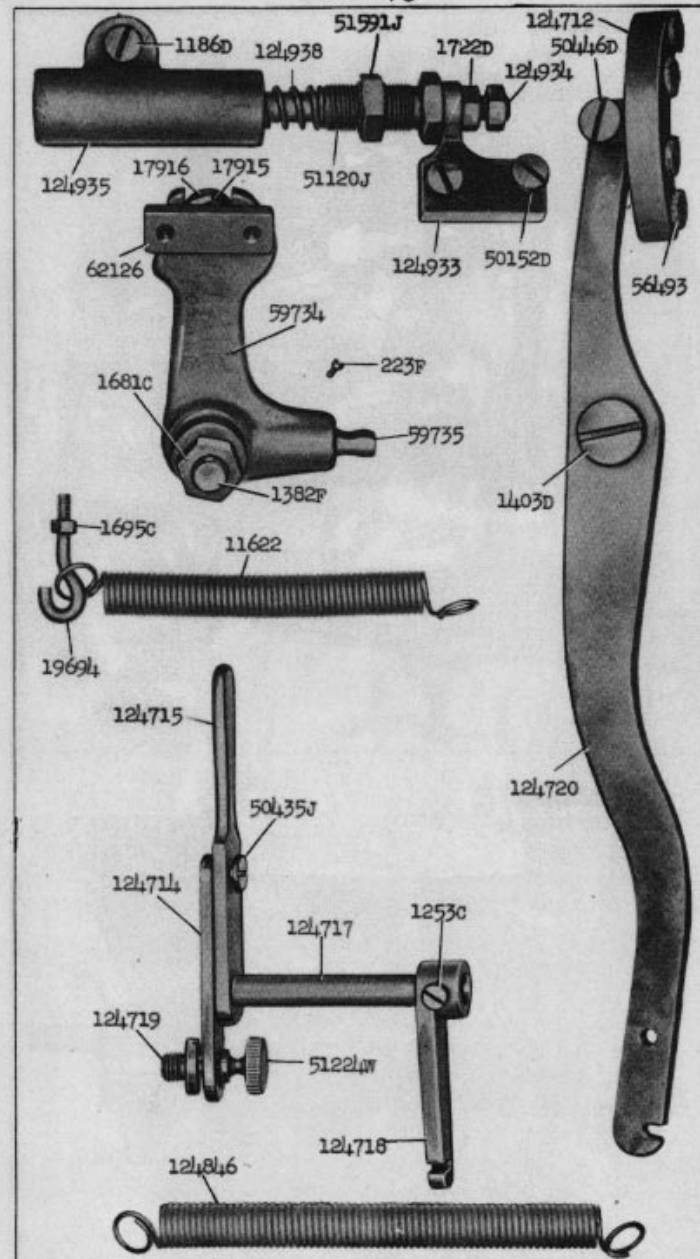
** A TRADE MARK OF

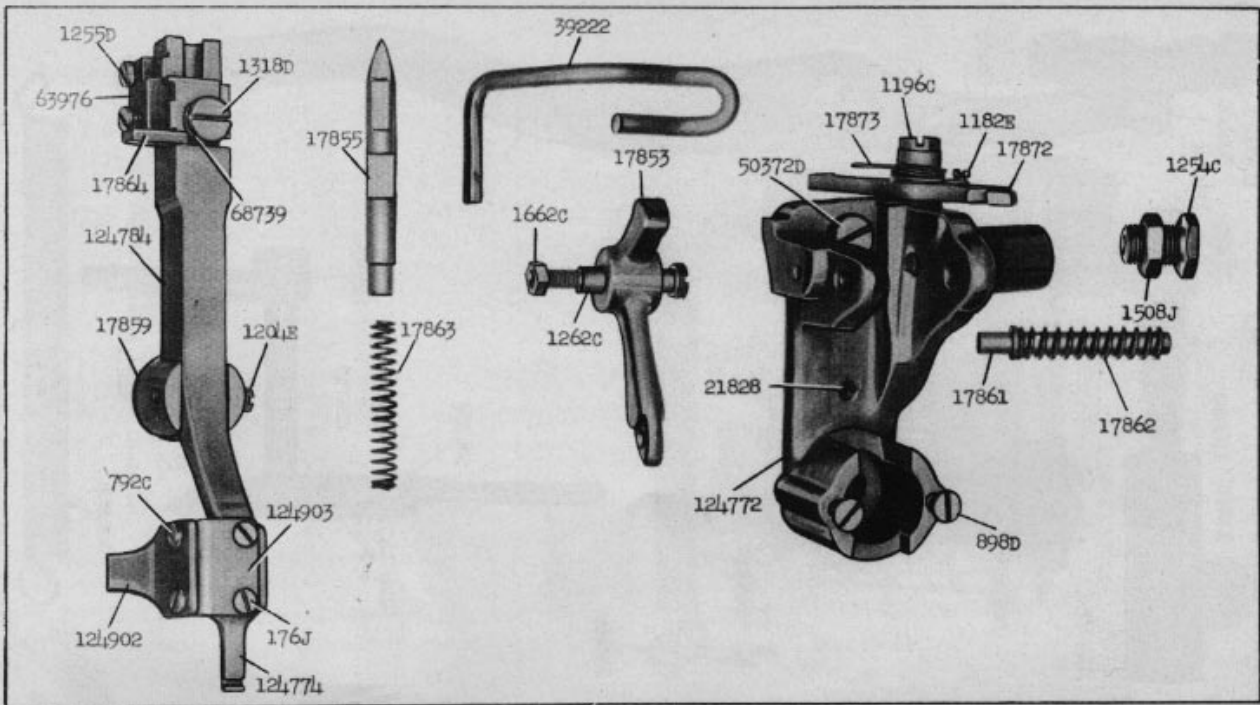
THE SINGER MANUFACTURING COMPANY



Copyright, U. S. A., 1928 and 1940
 by The Singer Manufacturing Co.
 All Rights Reserved for all Countries

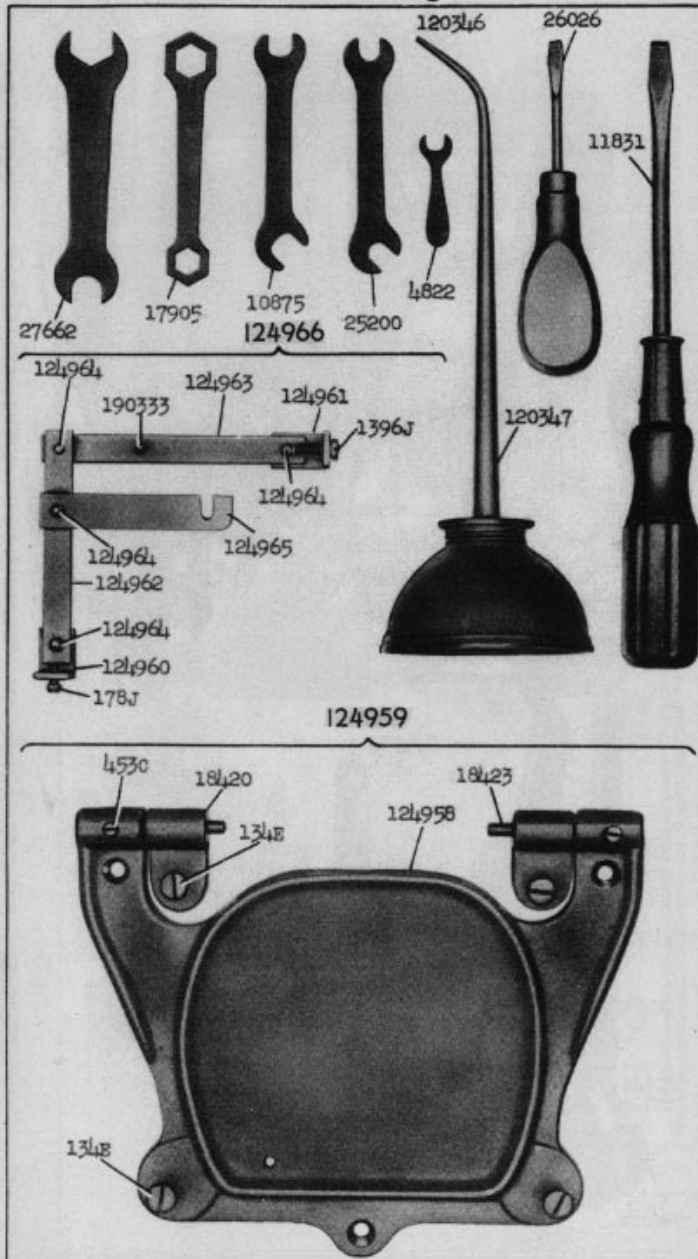
9596 - 2/3



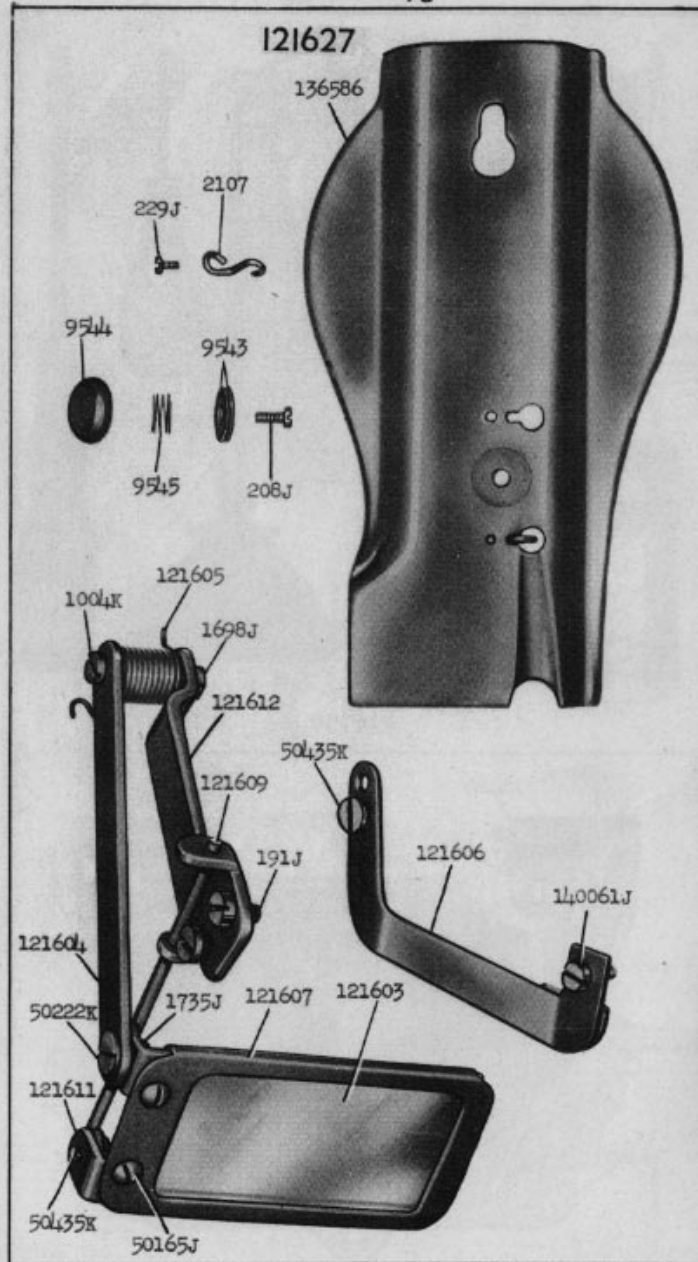


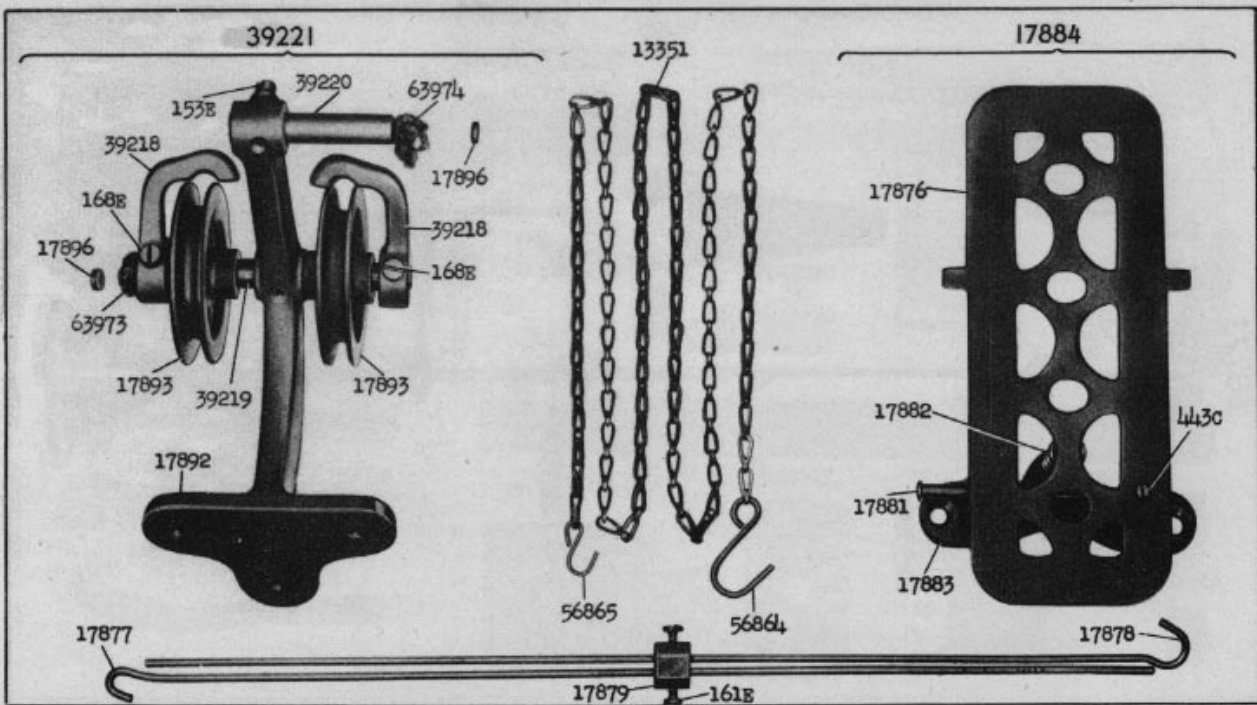
23153 - 2/3

23157 - 1/3



23158 - 2/3

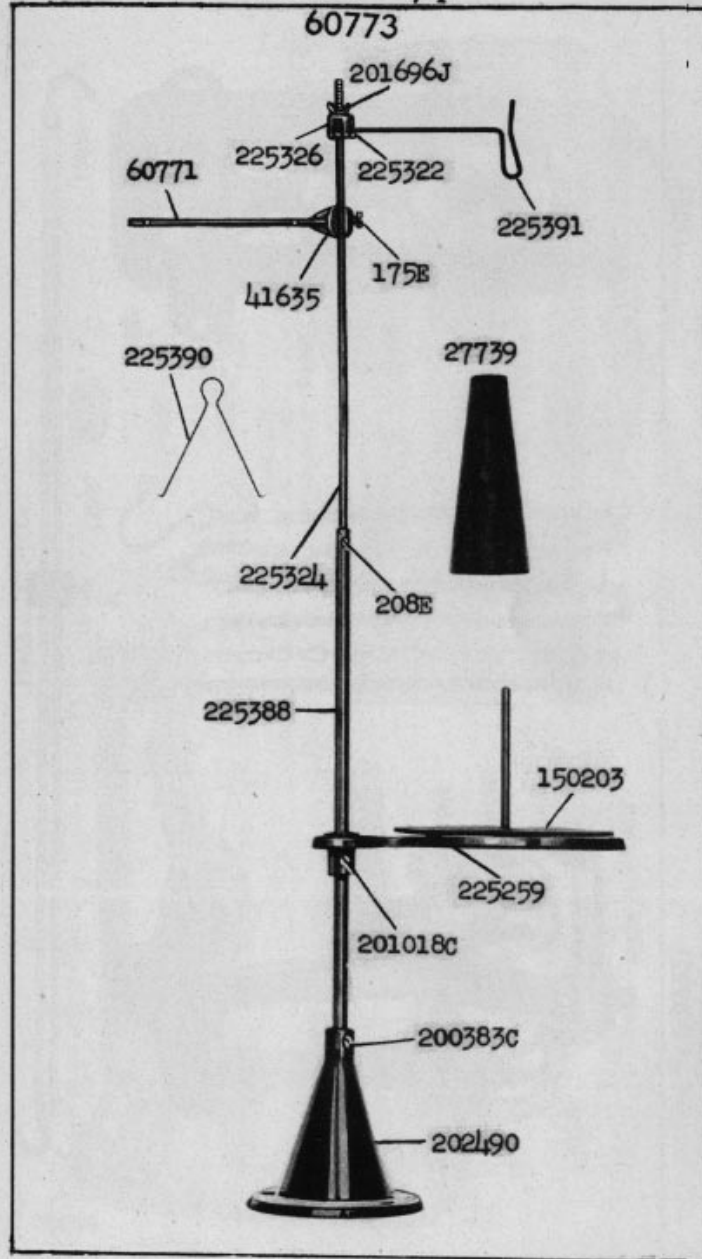


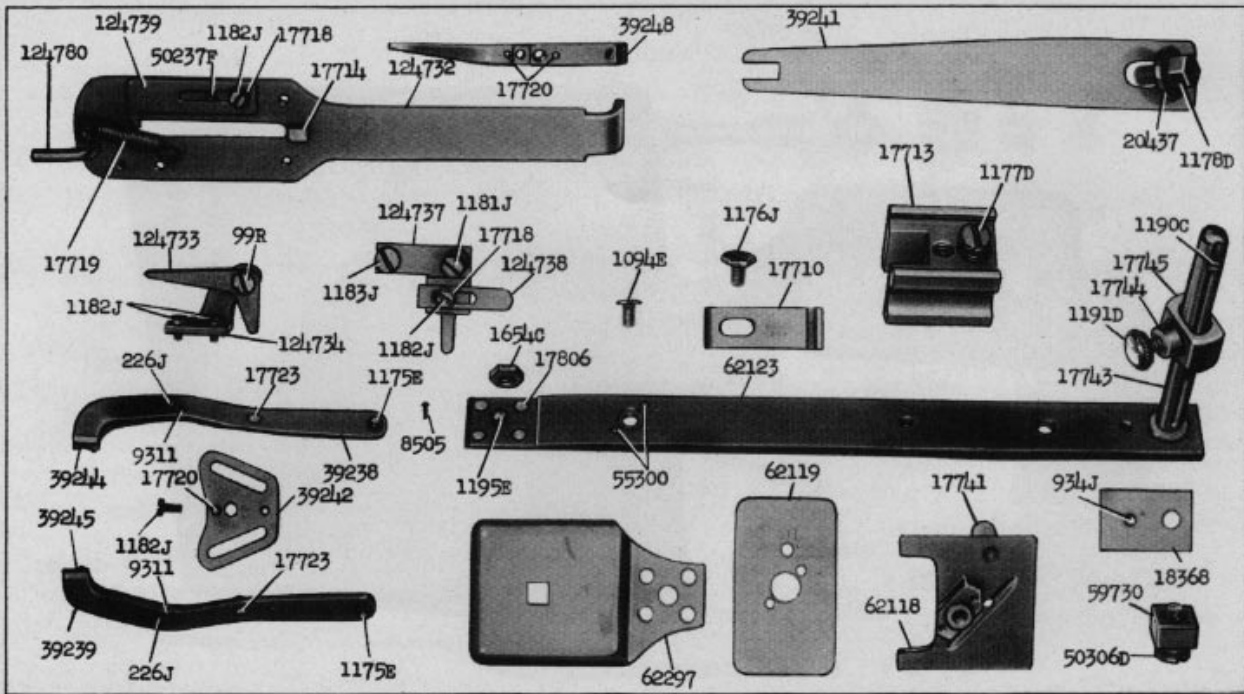


23159 - 1/3

23160 - 1/4

60773



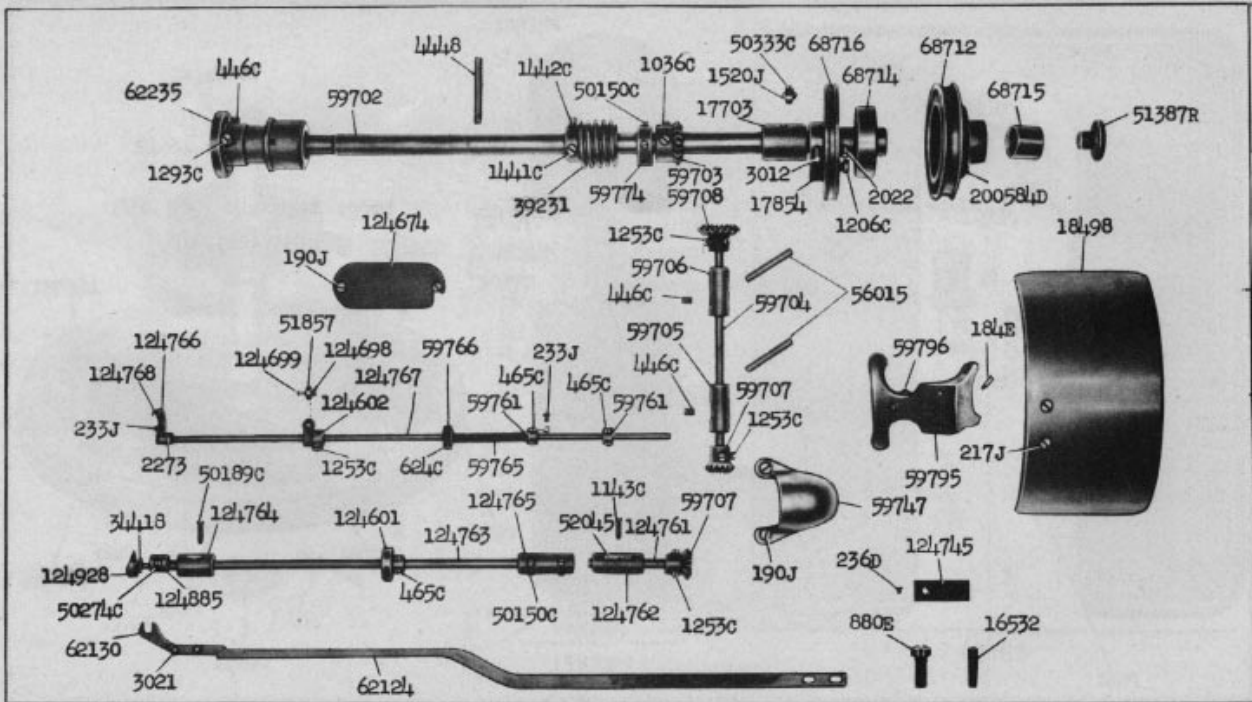


23168 - 1/2

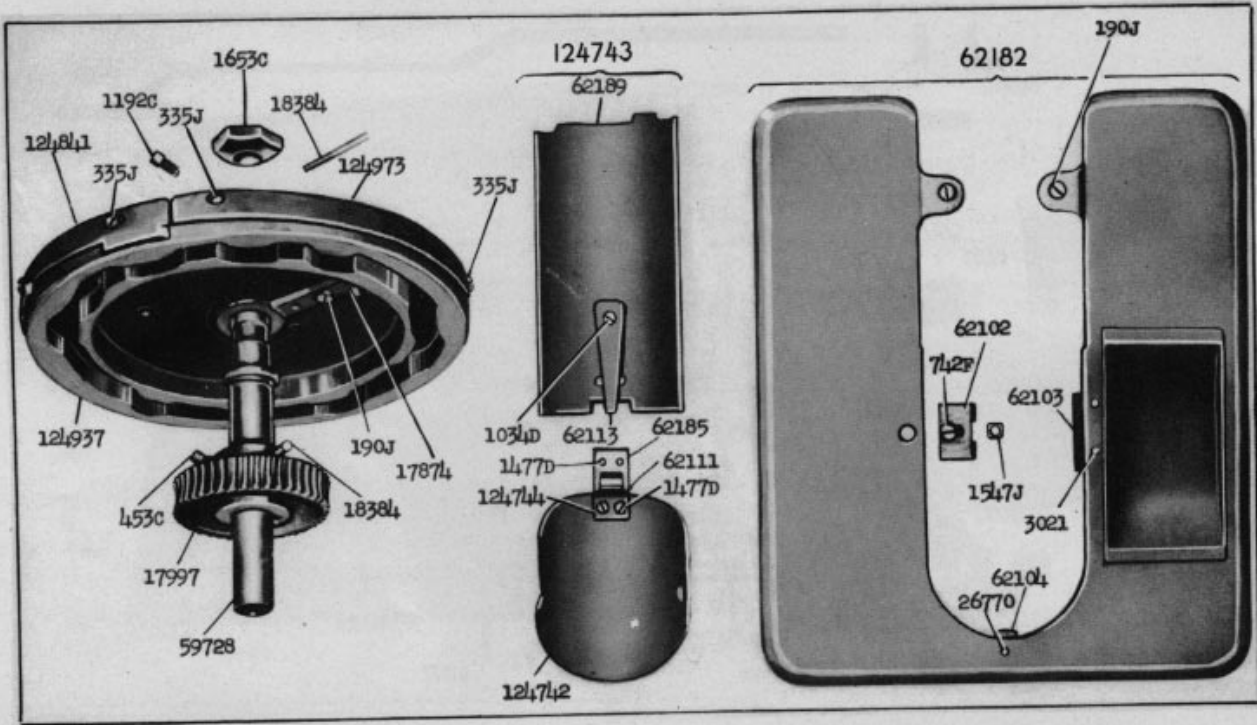
23174 - 1/2

59797



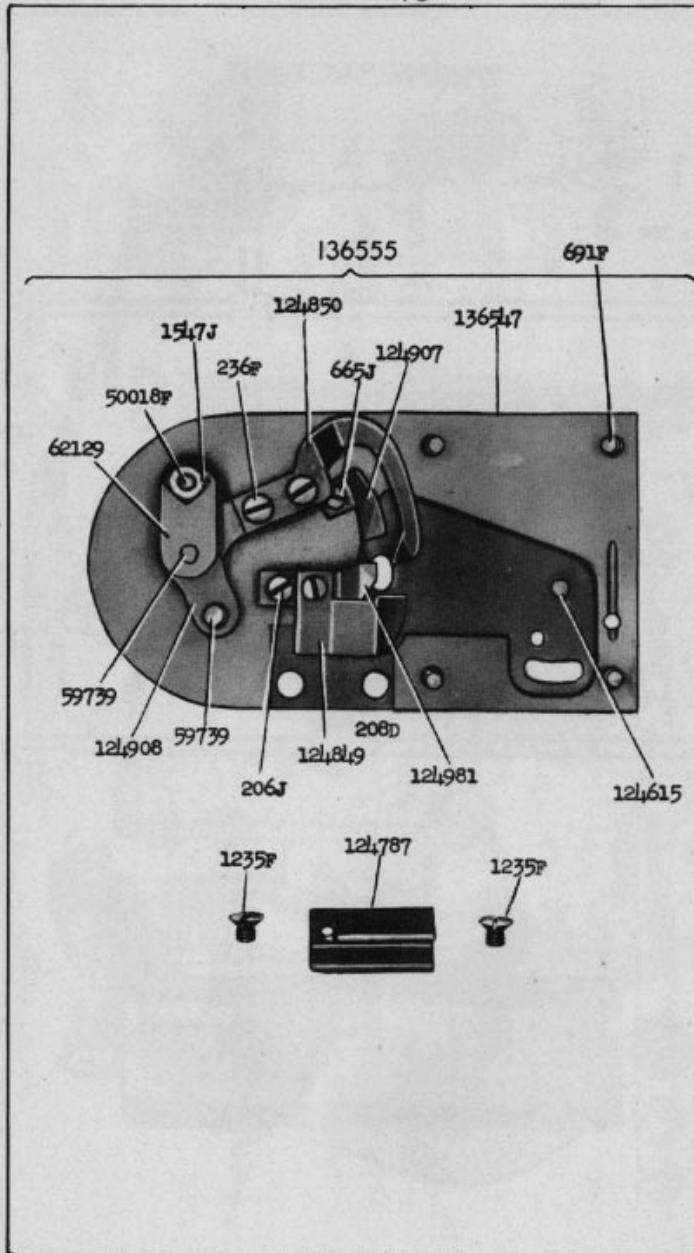


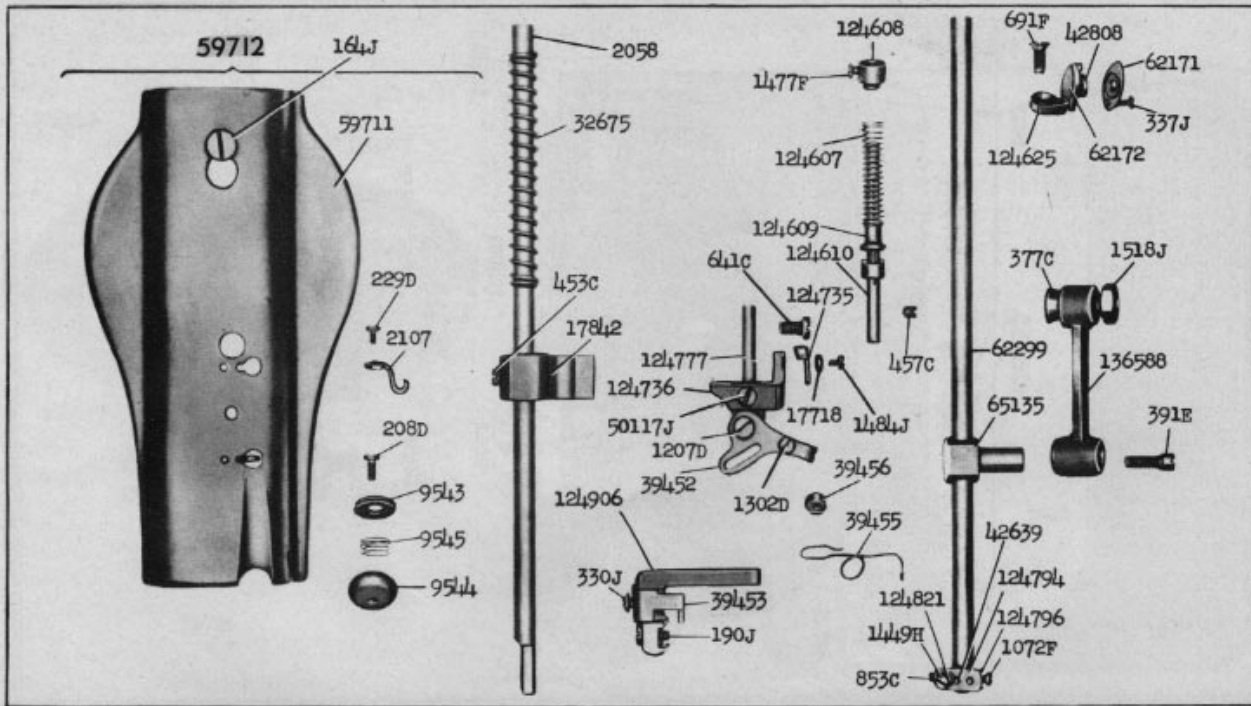
23181 - 1/4



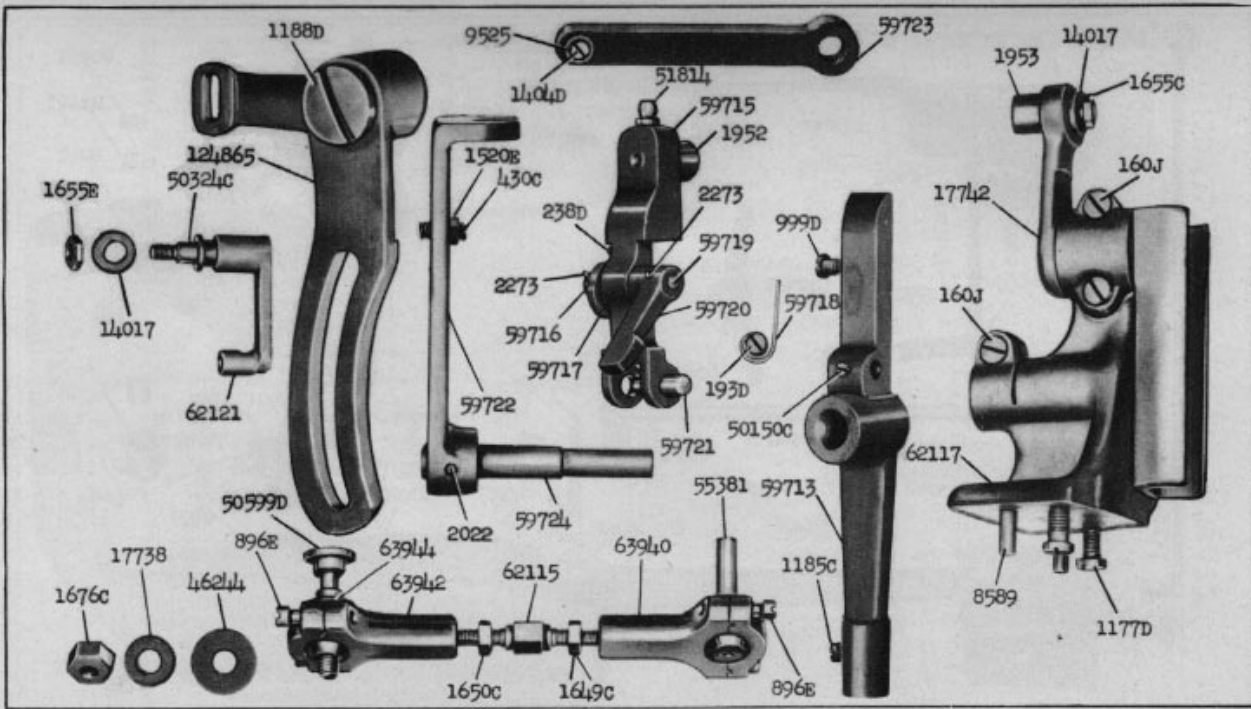
23185 - 1/3

23187 - 2/3

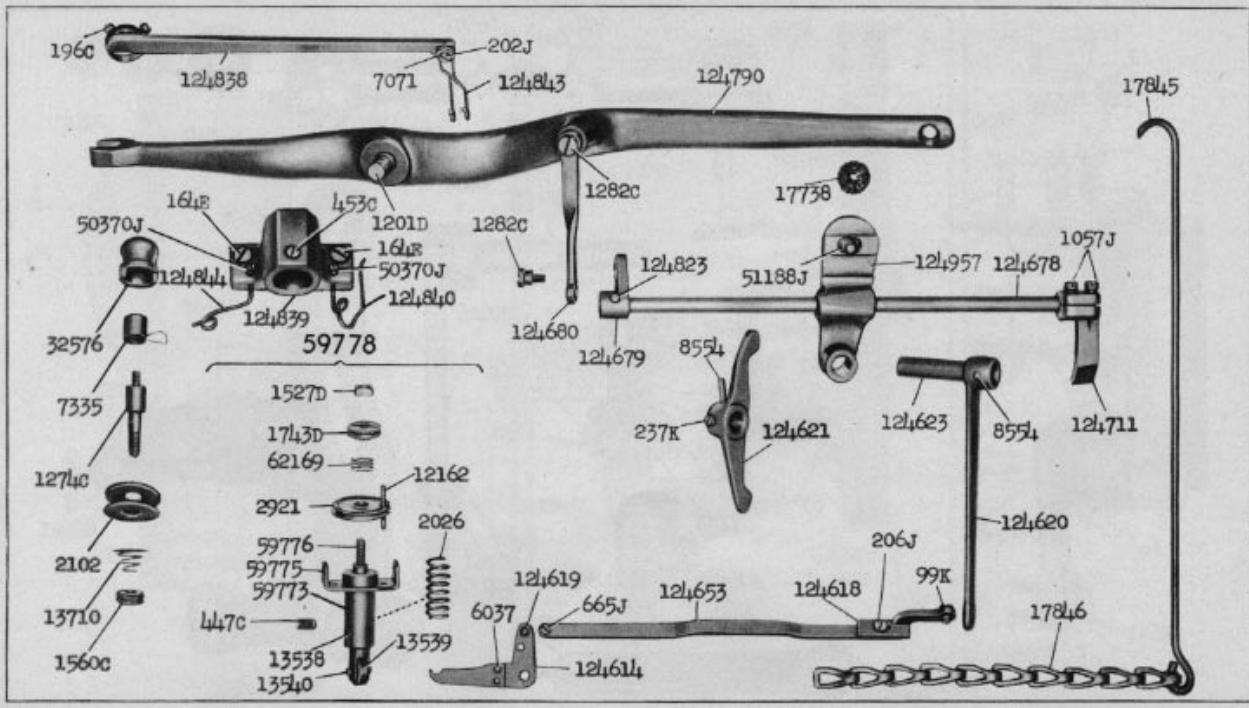




23188 - 1/2



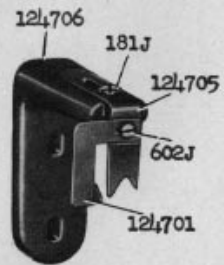
23189 - 1/2



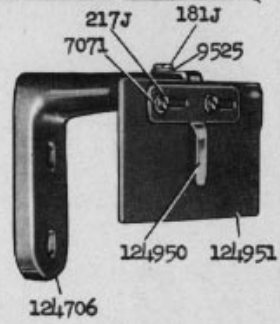
23190 - 1/3

23191 - 1/3

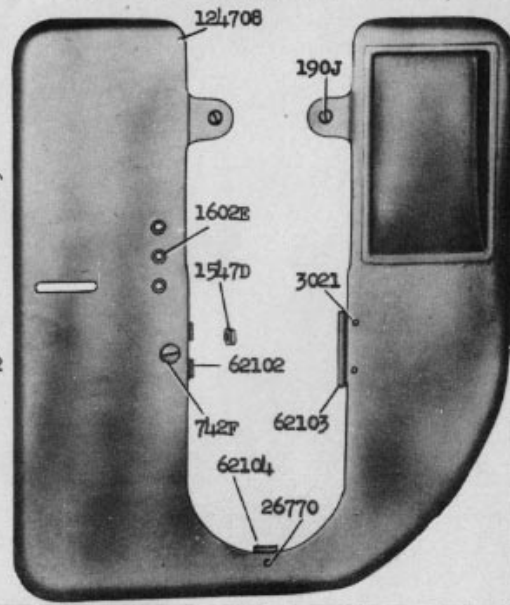
124707



124952



124710



124704

