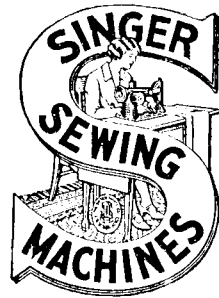


SINGER
107W13

LIST OF PARTS



MACHINE No. 107w13

THE SINGER MANUFACTURING COMPANY

INDEX

	PAGE
ACCESSORIES	17
BOBBIN WINDER	17
KNEE LIFTER	18
MACHINE No. 107w13	7
MISCELLANEOUS PARTS	19
NUMERICAL LIST OF PARTS	21
PARTS FOR AIR TUCKING ON RAYON	19

Instructions for Ordering

In ordering from this list, use **ONLY** the **PART** number in the **FIRST** column.

The number stamped on a Sewing Machine Part is the number of the Single Part only, except when the part includes Set Screws, Clamping Screws, Studs and Rollers Spun on, Small Wires riveted, or Parts soldered together, etc., which it is necessary to furnish in combination.

Every combination of parts sent out has its specific number which, although not stamped on Parts (except in above case), must be used when ordering the combination.

Each number always indicates the **SAME PART** in whatever list it appears, or for whatever Machine.

The letters after some of the numbers indicate the style of finish only, as follows:

- A. Hardened, Polished and Plated.
- B. Polished and Plated.
- C. Hardened only.
- D. Polished only.
- E. Soft, not polished.
- F. Hardened and Polished.
- H. Blued.
- J. Nickel Plated only
- R. Merlized.
- Y. Black Nickel Plated only.

These letters **MUST BE USED** when they appear in the list and **AFTER** the number, as in the list.

In this series

200001 to 201500 and 350001 to 351500 are Screw Numbers.
 201501 to 201800 and 351501 to 351800 are Nut Numbers.
 201801 to 202000 and 350001 to 352000 are Roller Numbers.
 202001 to 350000 are Numbers of Machine Parts.

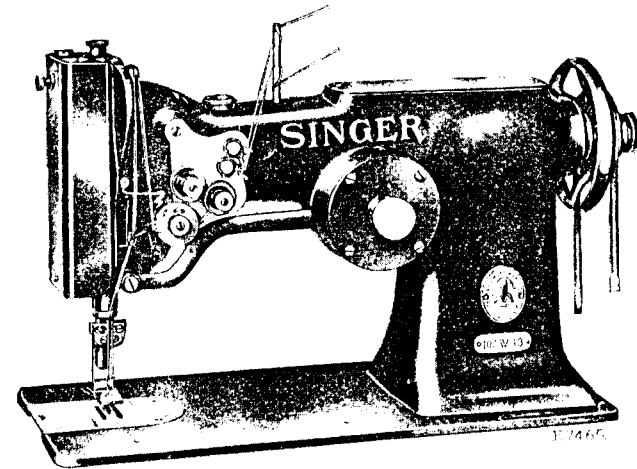
The figures in the second column refer only to the plate in which the illustration of the part is shown and are **NOT TO BE USED** in ordering.

Two or more numbers over a cut indicate that the difference between such parts is not visible in an illustration.

Parts marked with an asterisk (*) are furnished only when repairs are made at the factory.

LIST OF PARTS COMPLETE

FOR



MACHINE No. 107w13

HIGH SPEED. TWO NEEDLE ZIG ZAG

For Straight and Zig Zag Air Tucking and Cording
 Needle Holder adjustable from $\frac{3}{16}$ to $\frac{5}{16}$ inch

No.	Plate	Name
*242101	---	Arm
242102	15284	" Cap
200278H	10755	" " Screw
20224S	10755	" " Washer
204235	10755	" Position Pin (2)
200010E	10755	" Screw (3)
201005	10755	" " Washer (3)
202249	10753	" Shaft with 200357E and 203100
202243	10753	" " Bushing (back) with 202244
202244	---	Arm Shaft Bushing (back) Oil Packing (wick)
200338C	10755	Arm Shaft Bushing (back) Set Screw
207080	15284	Arm Shaft Bushing (front) with 202244

No.	Plate	Name
202244	—	Arm Shaft Bushing (front) Oil Packing (wick)
200502B	10755	Arm Shaft Bushing (front) Oil Packing Thumb Screw
200341c	10755	Arm Shaft Bushing (front) Set Screw
210503	10753	Arm Shaft Connection Belt
202635	10753	" " " " Pulley with 200327c, 200602E and two 202253
200602E	10755	Arm Shaft Connection Belt Pulley Position Screw
200327c	10755	Arm Shaft Connection Belt Pulley Set Screw
202253	10757	Arm Shaft Connection Belt Pulley Spring Flange
203100	—	Arm Shaft Oil Packing (wick) ...
200357E	10755	" " " " Stop Screw
202255	10752	Balance Wheel (belt groove 2 1/2 in. diam.) with 200328c and 200335c
200328c	10755	Balance Wheel Position Screw ...
200335c	10755	" " Set Screw
*210504	—	Bed
202258	12345	" Hinge Connection (2)
200570E	10755	" " " Screw (4)
210505	15284	" Plate (back)
200577H	10755	" " " Screw (2)
210616	15284	" Slide (front)
210530	15283	Bobbin
210846	15283	" Case Base
242103	15283	" " Cap with 200592c, 201016E and 242105
242104	—	Bobbin Case Cap complete, Nos. 200964E, 210736, 210914 and 242103
210913	15283	Bobbin Case Latch
210914	15283	" " " 210913 with 210734 and 210735
210735	15283	Bobbin Case Latch Fulcrum Pin ..
210734	15283	" " " Lever
210736	15283	" " " Spring
200964E	15283	" " " Stop Screw
210764	15283	" " Stop
200076D	15283	" " " Screw
242105	15283	" " Tension Spring
201016E	15283	" " " " Regulating Screw
200592c	15283	Bobbin Case Tension Spring Screw
242106	—	Bobbin Case complete, Nos. 210846 and 242104

No.	Plate	Name
210681	15284	Face Plate
202135	10755	" " Position Pin
200462B	10755	" " Thumb Screw
210512	15286	Feed Bar
210513	—	" " 210512 with 200641c, 201522E and 202623
200641c	10755	Feed Bar Hinge Screw (driving) ..
201522E	15283	" " " " Nut
202276	10760	" " Slide Block
210514	10760	" " " " Crank with 200035E
210515	10760	Feed Bar Slide Block Crank 210514 with 200253D, 201531E and 202276
200035E	10760	Feed Bar Slide Block Crank Pinch Screw
200253D	15283	Feed Bar Slide Block Hinge Screw
201531E	10760	" " " " " " Nut
210518	15283	Feed Dog
200106E	10755	" " Screw (2)
202297	10752	" Driving Connection with 200054E and 202277
202624	10760	Feed Driving Connection Crank with 200038c
200038c	10760	Feed Driving Connection Crank Pinch Screw
200545c	10760	Feed Driving Connection Hinge Screw
201518E	10755	Feed Driving Connection Hinge Screw Nut
202277	—	Feed Driving Connection Oil Packing (wick)
200054E	10755	Feed Driving Connection Pinch Screw
202300	10753	Feed Driving Eccentric Regulating Bracket
203098	10753	Feed Driving Eccentric Regulating Bracket 202300 with 202635, two each 201014c and 201525E
201014c	15283	Feed Driving Eccentric Regulating Bracket Hinge Screw
201525E	10755	Feed Driving Eccentric Regulating Bracket Hinge Screw Nut
202301	10755	Feed Driving Eccentric Regulating Bracket Plunger
202595	10755	Feed Driving Eccentric Regulating Bracket Plunger Spring
200607c	10755	Feed Driving Eccentric Regulating Bracket Plunger Spring Stop Screw

No.	Plate	Name
201014c	15283	Feed Driving Eccentric Regulating Bracket Stop Screw
201525E	10755	Feed Driving Eccentric Regulating Bracket Stop Screw Nut
200429c	10755	Feed Driving Eccentric Regulating Screw
200383c	10755	Feed Driving Eccentric Regulating Screw Check Screw
202623	10752	Feed Driving Rock Shaft
202625	10760	" " " " Stop Collar with two 200383c (2)
200383c	10755	Feed Driving Rock Shaft Stop Collar Set Screw
202306	10752	Feed Lifting Connection with 200054E and 202277
*210645	---	Feed Lifting Connection Crank
210589	10760	" " " " " 210645 with 200050c and 200378c
200050c	10760	Feed Lifting Connection Crank Pinch Screw
200378c	10760	Feed Lifting Connection Crank Set Screw
202307	10760	Feed Lifting Connection Eccentric with 200382c and 200437c
200437c	10760	Feed Lifting Connection Eccentric Position Screw
200382c	15283	Feed Lifting Connection Eccentric Set Screw
200545c	10760	Feed Lifting Connection Hinge Screw
201518E	10755	Feed Lifting Connection Hinge Screw Nut
202277	---	Feed Lifting Connection Oil Packing (wick)
200054E	10755	Feed Lifting Connection Pinch Screw
210531	10752	Feed Lifting Rock Shaft (hollow) and Hook Driving Shaft Bearing
202625	10760	Feed Lifting Rock Shaft Stop Collar with two 200383c
200383c	10755	Feed Lifting Rock Shaft Stop Collar Set Screw
202310	10753	Feed Regulating Spindle with 202311, 202443 and 202619
*202311	---	Feed Regulating Spindle Head
202443	15283	" " " " Pin
202619	15283	" " " " Position Pin
*210532	---	Hook (sewing)

No.	Plate	Name
210533	15285	Hook 210532 with 200145c, 203101, 210536, 210541 and three 200596F
242107	---	Hook and Bobbin Case complete, Nos. 210533 and 242106
210614	10757	Hook Driving Bevel Pinion (steel), 24 teeth, with two 200378c
200378c	10760	Hook Driving Bevel Pinion Set Screw
210535	10752	Hook Driving Bevel Pinion Shaft
202661	10753	" " " " " Belt Pulley with 202324 and two 200378c
200378c	10760	Hook Driving Bevel Pinion Shaft Belt Pulley Set Screw
202324	10757	Hook Driving Bevel Pinion Shaft Belt Pulley Spring Flange
210536	15285	Hook Gib
200596F	15285	" " Screw
203101	---	" Oil Wick
200915F	10757	" Position Screw
210537	10757	" Shaft (hollow)
210615	10757	" " Bevel Gear (steel), 24 teeth, with two 200382c
200382c	15283	Hook Shaft Bevel Gear Set Screw
210539	10757	" " Bushing
210621	---	" " " 210539 with 200931F and 210537
200335c	10755	Hook Shaft Bushing Set Screw
200363c	15285	" " " " "
202355	15285	" " " " " Packing (brass)
200931F	10757	Hook Shaft Position Screw
210541	15285	" Washer Needle Guard
200145c	15285	" " " " Screw ..
237837	15284	Knee Lifter Connection Lever
210876	---	" " " " 237837 with 202447, 210875 and two 200262H
200262H	15285	Knee Lifter Connection Lever Hinge Screw
202447	15284	Knee Lifter Connection Lever Lifting Rod with 202302
202302	15285	Knee Lifter Connection Lever Lifting Rod Cotter Pin
210875	15284	Knee Lifter Lifting Lever
200262H	15285	" " " " Hinge Screw

No.	Plate	Name
242108	15286	Needle Bar
210543	15285	" " Connecting Link
202333	15285	" " " " Stud with 202254
202254	—	Needle Bar Connecting Link Stud Oil Packing (wick)
200383c	10755	Needle Bar Connecting Link Stud Set Screw
200374c	15285	Needle Bar Connecting Link Stud Set Screw
210544	15285	Needle Bar Connecting Stud with 202277
210585	—	Needle Bar Connecting Stud 210544 with 210545
202277	—	Needle Bar Connecting Stud Oil Packing (wick)
210545	15285	Needle Bar Connecting Stud Swivel with 200387c
210725	10753	Needle Bar Crank with 200335c, 200374c, 200383c, 200428c and 202333
203172	15285	Needle Bar Crank Friction Washer
200428c	15285	" " " Position Screw ..
200335c	10755	" " " Set Screw
242109	15286	" " Frame with 200070c ..
210547	15285	" " " Guide Stud
200334c	15285	" " " " " Set Screw
210548	15285	Needle Bar Frame Hinge Stud
200334c	15285	" " " " " Set Screw
210556	15286	Needle Bar Frame Pitman with 200054E and 202277
210557	15285	Needle Bar Frame Pitman Eccen- tric Stud
200070c	15285	Needle Bar Frame Pitman Eccen- tric Stud Set Screw
202277	—	Needle Bar Frame Pitman Oil Packing (wick)
200054E	10755	Needle Bar Frame Pitman Pinch Screw
200387c	15285	Needle Bar Set Screw
242122	15287	" Holder Body with 201030F ..
242123	15287	" " Slide (left) with 200130F
242124	15287	Needle Holder Slide (right) with 200130F
200130F	15287	Needle Holder Slide Screw

No.	Plate	Name
242125	15287	Needle Holder complete (adjust- able from $\frac{3}{16}$ to $\frac{3}{8}$ in.), Nos. 242122 to 242124 and two 200130F
201030F	15287	Needle Holder Screw
200130F	15287	" Set Screw
202300	10753	" Vibrator Eccentric Regulat- ing (throw) Bracket
210550	—	Needle Vibrator Eccentric Regulat- ing Bracket 202300 with 210552, two each 200256D and 201525E ..
210551	15286	Needle Vibrator Eccentric Regulat- ing Bracket Cover (plate)
200566D	15287	Needle Vibrator Eccentric Regulat- ing Bracket Cover Screw (4)
210552	15286	Needle Vibrator Eccentric Regulat- ing Bracket Flange with two 200383c
200383c	10755	Needle Vibrator Eccentric Regulat- ing Bracket Flange Screw
200256D	15287	Needle Vibrator Eccentric Regulat- ing Bracket Hinge Screw
201525E	10755	Needle Vibrator Eccentric Regulat- ing Bracket Hinge Screw Nut ..
202301	10755	Needle Vibrator Eccentric Regulat- ing Bracket Plunger
202595	10755	Needle Vibrator Eccentric Regulat- ing Bracket Plunger Spring
200607c	10755	Needle Vibrator Eccentric Regulat- ing Bracket Plunger Spring Stop Screw
200256D	15287	Needle Vibrator Eccentric Regulat- ing Bracket Stop Screw
201525E	10755	Needle Vibrator Eccentric Regulat- ing Bracket Stop Screw Nut
210699	15286	Needle Vibrator Gear (spiral) with two 200382c
203172	15285	Needle Vibrator Gear Friction Washer
200382c	15283	Needle Vibrator Gear Set Screw ..
210558	15286	" " " Shaft
210559	15287	" " " " Collar with two 200378c
200378c	10760	Needle Vibrator Gear Shaft Collar Set Screw
210700	15287	Needle Vibrator Pinion (spiral) with two 200382c
200382c	15283	Needle Vibrator Pinion Set Screw
200429c	10755	" " Regulating Screw
200383c	10755	" " " " "
		Check Screw

No.	Plate	Name
210553	15286	Needle Vibrator Regulating Spindle with 202583, 202619 and 210554 ..
*202583	—	Needle Vibrator Regulating Spindle Head
202619	15283	Needle Vibrator Regulating Spindle Head Position Pin
210554	15287	Needle Vibrator Regulating Spindle Spring (flat)
244033	—	Presser Bar (hollow)
202335	15286	" " 244033 with 200074F ..
207072	15287	" " Bushing
200352c	15287	" " " Set Screw
202554	15287	" " Lifter
200653c	15287	" " " Hinge Screw ...
210789	15287	" " Lifting Releasing Lever Bracket
200260d	15287	Presser Bar Lifting Releasing Lever Bracket Guide Screw
206608	15287	Presser Bar Lifting Releasing Lever Bracket Spring (spiral)
202337	15287	Presser Bar Position Guide
202338	15287	" " " " Lever with 200086F
200086F	15287	Presser Bar Position Guide Lever Pinch Screw
*200352c	15287	Presser Bar Position Guide Set Screw
202343	15288	Presser Bar Spring
202346	15288	" " " Stop Rod
200492b	15288	" " Thumb Screw (pressure regulating)
200475b	15288	Presser Bar Thumb Screw Thumb Set Screw
202355	15285	Presser Bar Thumb Screw Thumb Set Screw Packing (brass)
242114	15288	Presser Foot, for fine work
200074F	15288	" " Screw
242128	15291	Take-up (auxiliary)
200132E	15288	" " Screw
234144	15288	" Lever
202399	15288	" " Driving Stud with 202277
202277	—	Take-up Lever Driving Stud Oil Packing (wick)
202400	15289	Take-up Lever Hinge Stud with 202423
202423	—	Take-up Lever Hinge Stud Oil Packing (wick)
200383c	10755	Take-up Lever Hinge Stud Set Screw

No.	Plate	Name
202401	—	Take-up Lever Oiling Felt
200132E	15288	" " " " Screw ..
234086	15288	Tension Bracket with two each 200397H, 201224B and 236060 ...
200159F	15288	Tension Bracket Screw
234047	15289	" " " Socket
200368H	15289	" " " " Set Screw
236098	15289	Tension Bracket Thread Guide
200174H	15289	" " " " Screw
234087	—	Tension Bracket complete, Nos. 200174H, 200978H, 201199F, 223703, 223706, 223707, 234086, 236098, two each 13710, 200309F, 204059, 204271, 223704, three 201572B and four 244007
244007	15289	Tension Disc
236060	15289	" " Position Pin
223703	15289	" Release Lever
234049	15289	" " " Rod
200309F	15289	" " " Screw
223704	15289	" " Plunger
204271	15289	" " Washer
13710	15289	" Spring
201224B	15289	" Stud
201572B	10881	" Thumb Nut
223706	15289	Thread Controller Disc
200978H	15289	" " " Screw
223707	15289	" " Spring
242117	15289	" " " Stop
200132E	15288	" " " " Screw ..
201199F	15289	" " Stud with 204925 ..
200061c	15289	" " " Set Screw
201572B	10881	" " " Thumb Nut ..
204925	15289	" " " Washer
242127	15291	" Guide (on needle bar frame)
200174H	15289	" " " " " " " " Screw
224028	15289	Thread Guide (on top of Arm) ...
242126	15291	" " (lower)
210592	15289	" " (upper)
200582H	15289	" " Screw (2)
202091	15289	" Retainer Sleeve
202092	15289	" Spring
204058	15289	" " Stud
200397H	15289	" " " Set Screw
204059	—	Thread Retainer complete, Nos. 202091, 202092 and 204058

No.	Plate	Name
242118	15283	Throat Plate, 53 needle hole, for needle sizes 12 and 13, for fine work, for 210518
200577H	10755	Throat Plate Screw (2)

ACCESSORIES

No.	Plate	Name
200157R	15290	Attachment Screw
210530	15283	Bobbin (5)
*225482	-----	" Case Screw Driver Blade ...
*225483	-----	" " " " Handle ..
225497	12345	Bobbin Case Screw Driver complete, Nos. 225482 and 225483 ...
231337	15290	Cloth Guide
131 x 1	---	Needles, six, size 12
131 x 3	---	" " " " 12
228212	----	Drip Pan with four 1 in. wire nails
41400	12345	Machine Rest Pin (wood)
120342	12345	Oiler (copper plated) with 120343
120343	12345	" Spout, 3½ in. long
*225484	----	Screw Driver Blade
*225485	-----	" " Handle
225498	12345	Screw Driver complete (7¼ in. long), Nos. 225484 and 225485 ..
225554	12345	Wrench (steel)

BOBBIN WINDER

Swing Automatic, Right Hand

225453	10884	Frame with 202277 and 225438 ...
225454	10884	" Hinge Pin
202277	-----	" Oil Packing (wick)
225438	10884	" " Well Cap
225455	10884	" Spring
255456	10884	" " Plunger
202473	10885	Pulley with 200380c
200380c	15290	" Set Screw
225381	10884	Spindle
225444	10884	Stop Latch
200056E	10884	" " Screw
225458	10884	" " Thumb Lever
225459	10884	" " " " Hinge Stud
225459	10884	" " " " Joint Stud
202478	10884	" " Trip Lever
200299H	10884	" " " " Hinge Screw

No.	Plate	Name
225461	10881	Tension Bracket with 201499b
200082b	10881	" " Screw
228026	10884	" " Washer
2102	10881	" Disc
202407	10881	" Spring
201499b	10881	" Stud
201572b	10881	" " Thumb Nut
225462	10881	Bobbin Winder Tension Bracket complete, Nos. 201572b, 202407, 225461 and two 2102
225433	10885	Bobbin Winder and Tension Bracket Base
225382	10885	Universal Bobbin Winder complete, Nos. 200056e, 200082b, 200299u, 202473, 202478, 225381, 225433, 225444, 225453 to 225456, 225458, 225462, 228026, two each 225459 and wood screws $\frac{3}{4}$ in., No. 12, R.H.B.

KNEE LIFTER

2763	13395	Rock Shaft
228278	13395	" " Hanger (back) with 356c
228279	---	Rock Shaft Hanger 228278 with 202452 and 228282
228280	13395	Rock Shaft Hanger (front) with two 356c
228281	---	Rock Shaft Hanger 228280 with 202452 and 228282
228282	13395	Rock Shaft Hanger Bracket with two wood screws $\frac{3}{4}$ in., No. 12 ..
202452	15290	Rock Shaft Hanger Hinge Pin
202455	13395	" " Knee Arm
356c	15290	" " " " Set Screw ..
228284	13395	" " " Plate with 356c ..
356c	15290	" " " " Set Screw ..
228283	13395	" " Lifting Lever with two 356c
227728	13395	Rock Shaft Lifting Lever Rod with 227729
*227729	---	Rock Shaft Lifting Lever Rod Cap
356c	15290	" " " " " " Set Screw
356c	15290	Rock Shaft Lifting Lever Set Screw
356c	15290	" " Set Screw
228285	13395	Knee Lifter Rock Shaft complete, Nos. 2763, 202455, 227728, 228279, 228281, 228283 and 228284

THREAD UNWINDER

No.	Plate	Name
225389	14083	Spool Rest (for one spool) with 201018c
225395	14083	Spool Rest (for two spools) with 201018c
225388	14083	Spool Rest Rod
200383c	10755	" " " Set Screw
201018c	15290	" " Set Screw
202490	14083	" Stand with 200383c
225391	14083	Thread Guide
201696j	15290	" " Lock Nut
225326	15290	" " Position Cup
225324	14083	" " Rod with 208e and 225322
208e	15290	Thread Guide Rod Screw
225322	15290	" " " Washer
225397	14083	Thread Unwinder (for three spools) complete, Nos. 201696j, 202490, 225324, 225326, 225388, 225389, 225395, three each 225391 and wood screws $\frac{3}{4}$ in., No. 12

PARTS FOR AIR TUCKING ON RAYON

210527	15291	Feed Dog
202090	15291	Presser Foot Hinge Pin
242131	---	" " Plate
210620	---	" " Shank
242132	15291	Presser Foot (hinged) complete, Nos. 202090, 210620 and 242131 ..
242130	15291	Thread Controller Spring Stop ...
242129	15291	Throat Plate, 60 needle hole, for needle sizes 8 and 9

MISCELLANEOUS PARTS

Used in conjunction with Thread Unwinder

60913	14083	Spool Weight with 60914
60914	---	" " Centre Pin
225377	14083	" Wire, for small spools
27739	---	Thread Cone (wood)

PLATE 10752--ONE-HALF SIZE

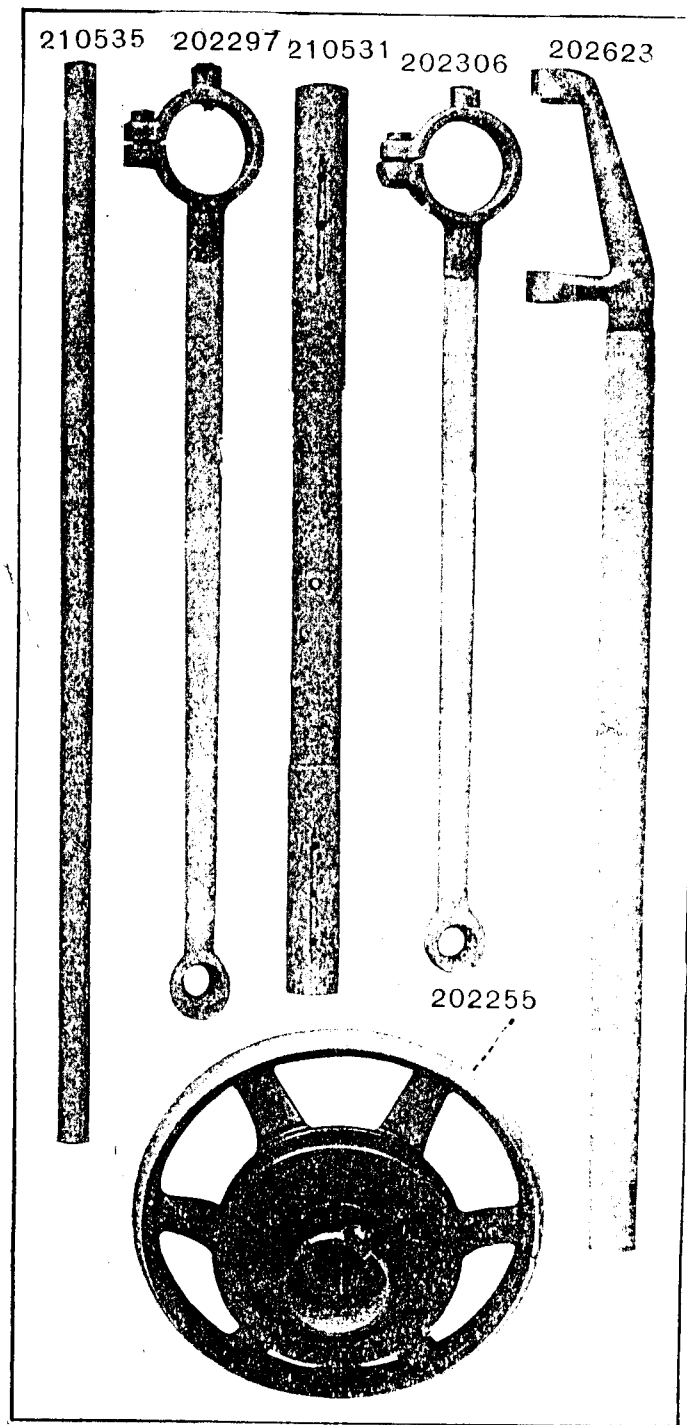


PLATE 10757—FULL SIZE

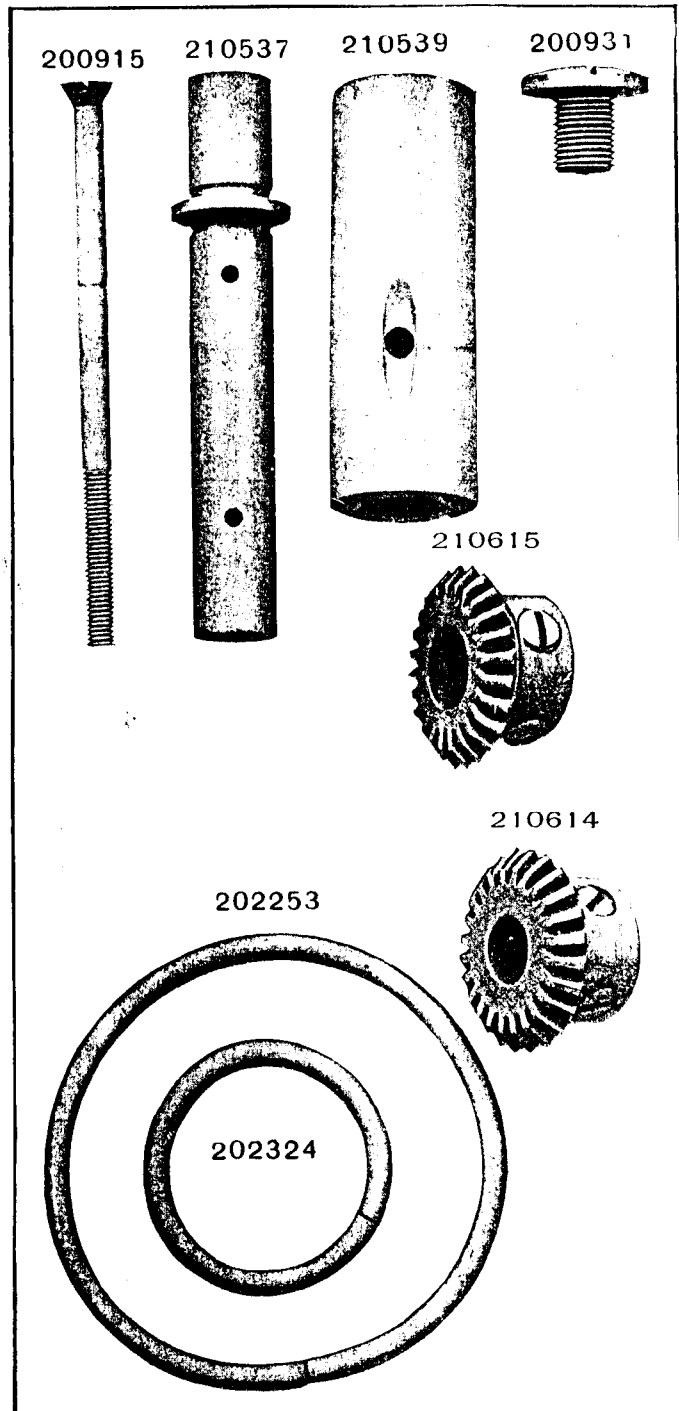


PLATE 10760—FULL SIZE

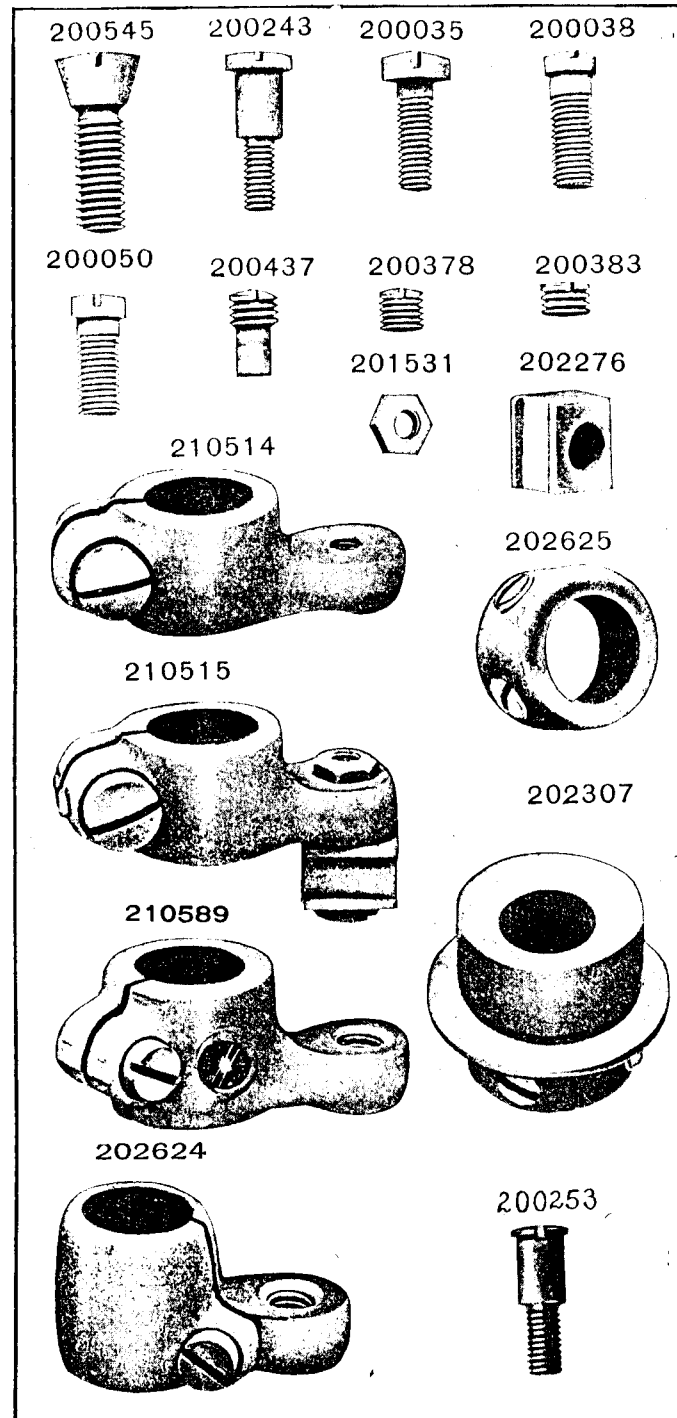
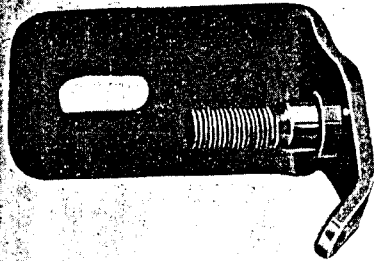


PLATE 10881—FULL SIZE

225461



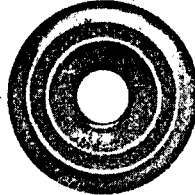
200082



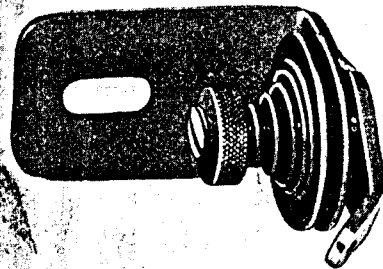
202104



2102



225462



202407



201499

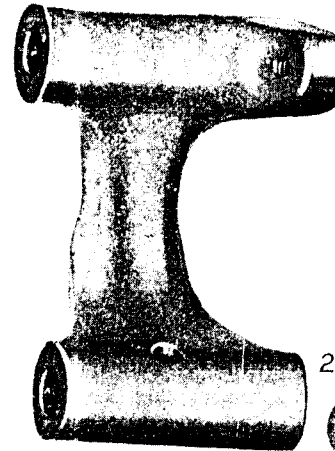


201572

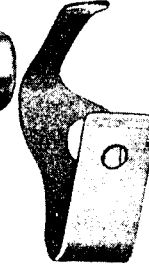


PLATE 10884—FULL SIZE

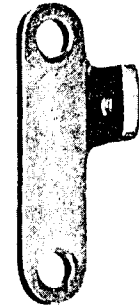
225453



225444



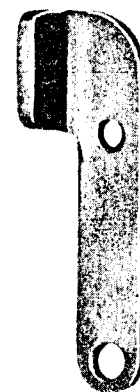
202478



228026



225458



225460



225454



200299



225438



200056



225459



200105



225456



225381



225455

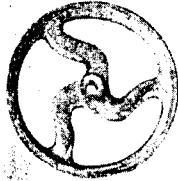


PLATE 10885—ONE-FOURTH SIZE

225433



202473



225382



PLATE 12345—ONE-HALF SIZE

41400



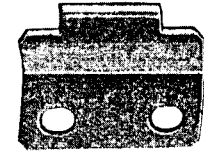
225497



225498



202258



120342



225554



120343

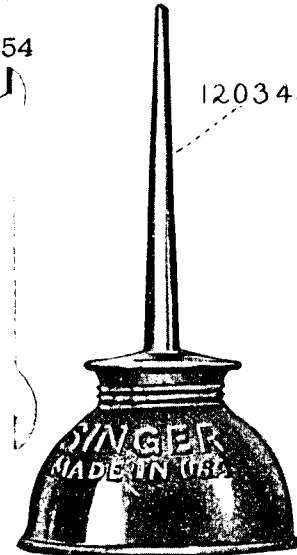


PLATE 13395—ONE-FOURTH SIZE

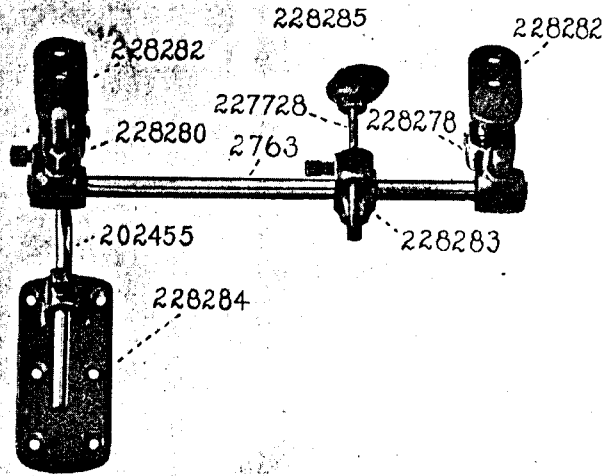


PLATE 14083—ONE-SIXTH SIZE

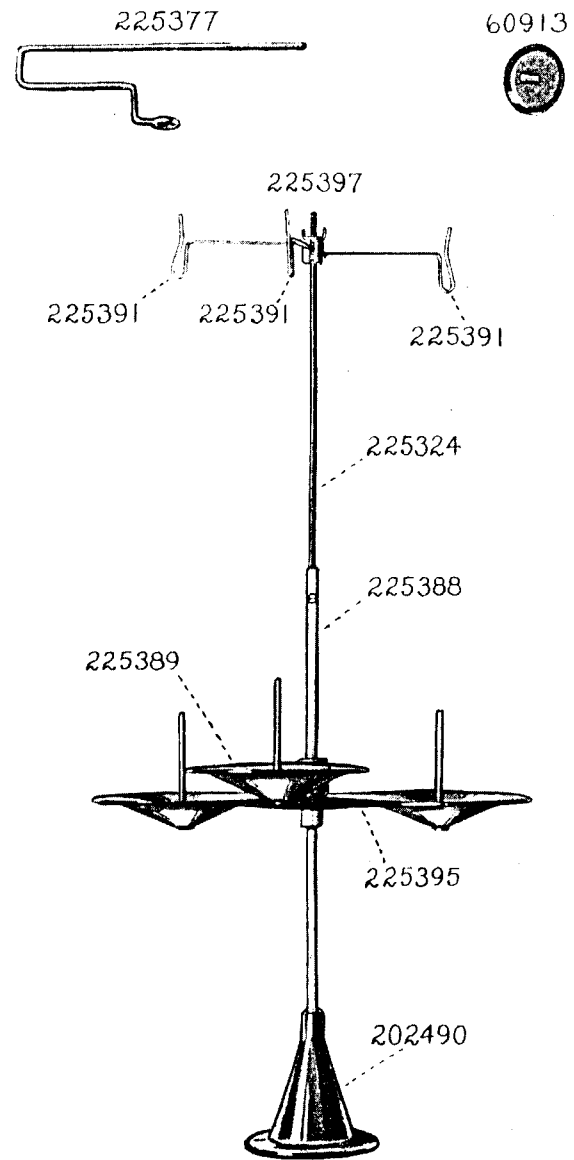
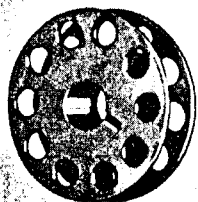


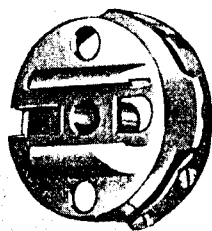
PLATE 15283—FULL SIZE

210530



210846

242103



210914



210913



242105



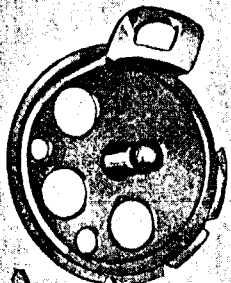
210735



201016



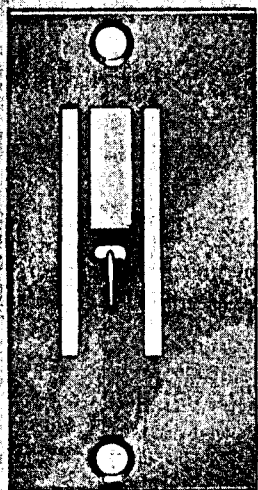
210734



210764



242118



202443



210736



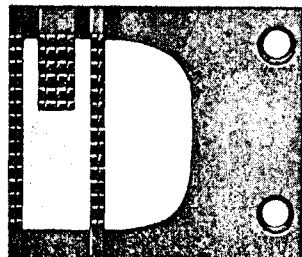
200076



201522



210518



200382

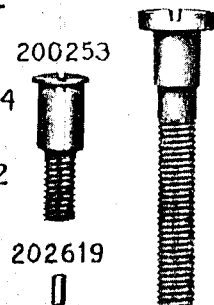


200253

200964



200592

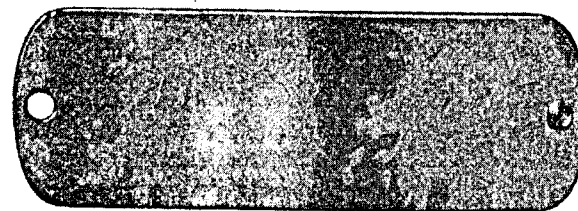


202619

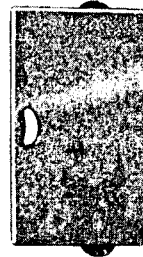


PLATE 15284—ONE-HALF SIZE

242102



210616



210505



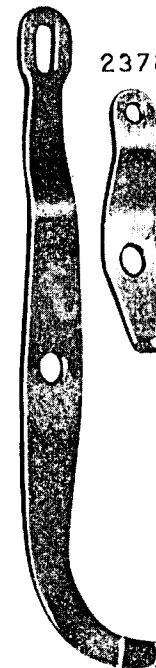
207080



202447



210875



237837



210681

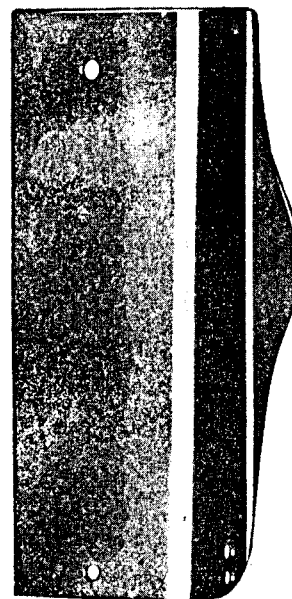


PLATE 15285—FULL SIZE

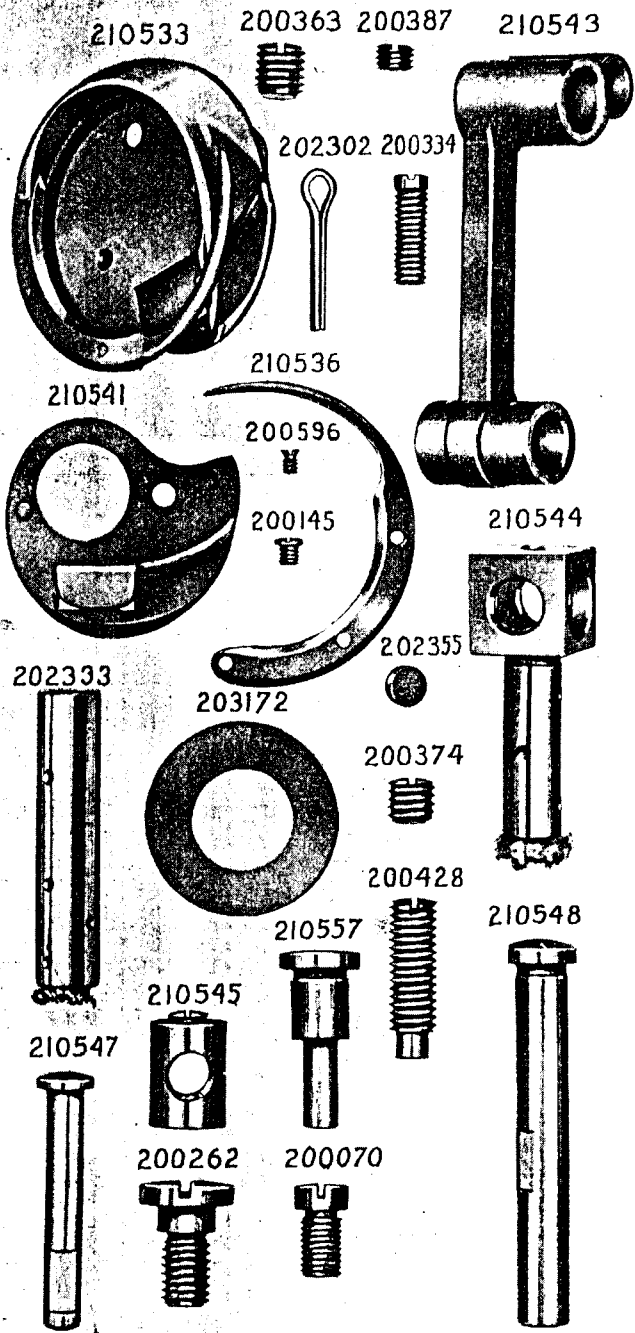


PLATE 15286—ONE-HALF SIZE

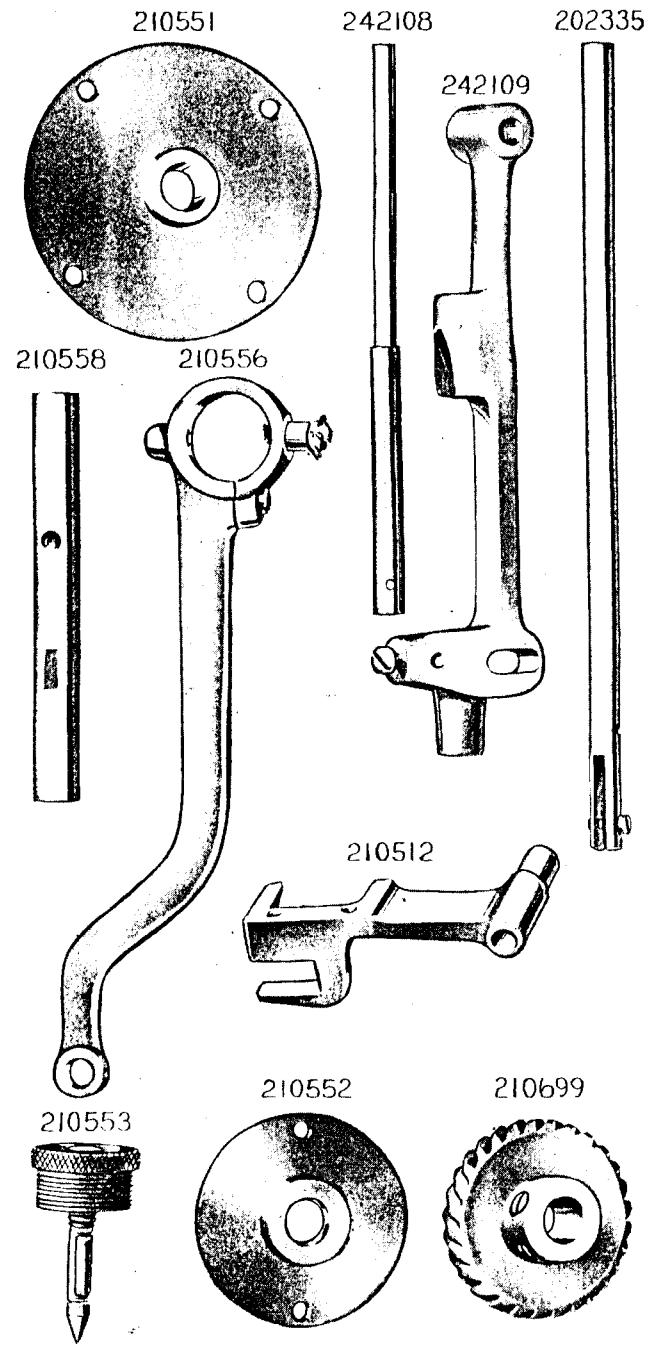


PLATE 15287—FULL SIZE

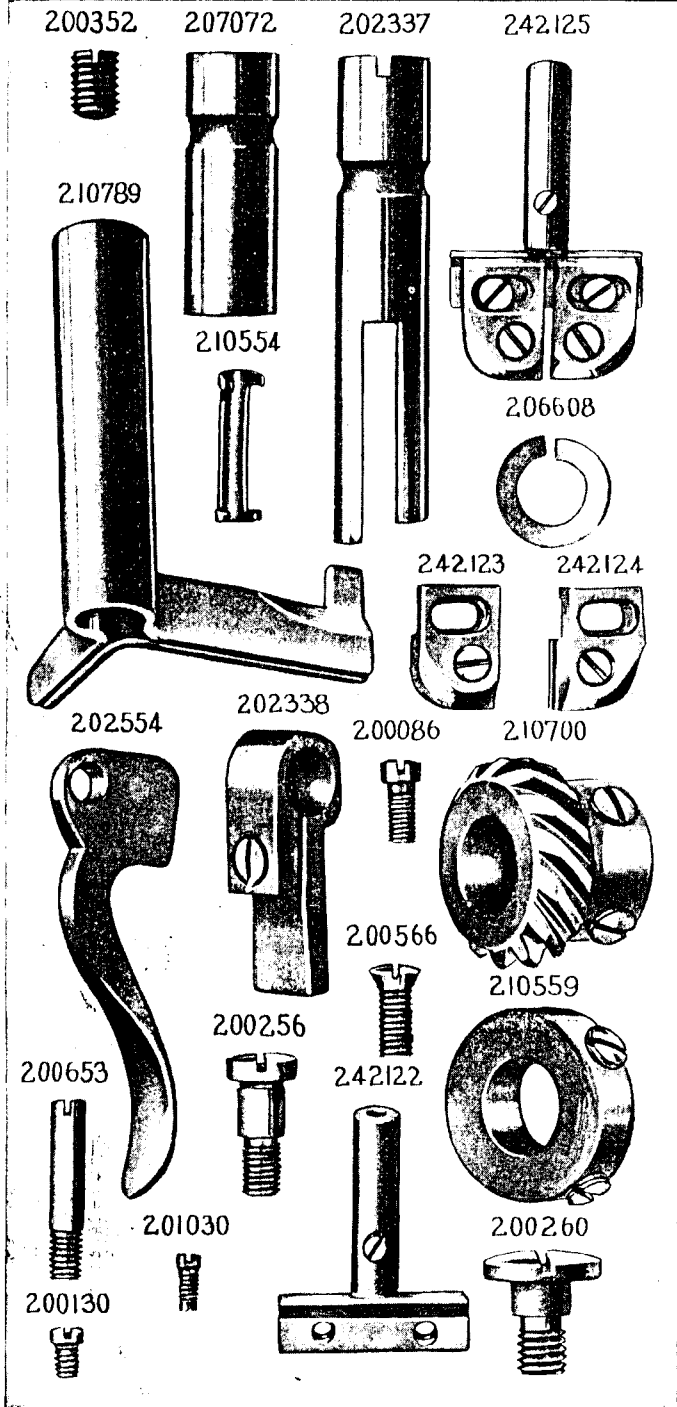


PLATE 15288—FULL SIZE

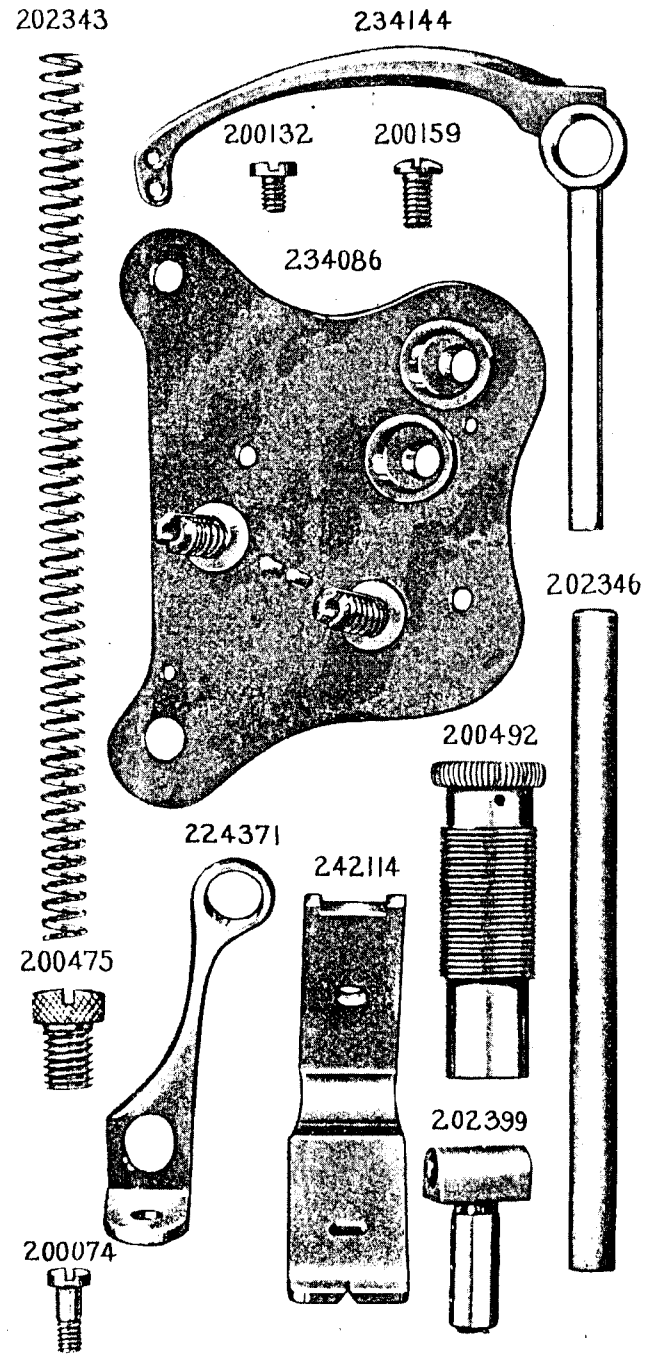


PLATE 15289—FULL SIZE

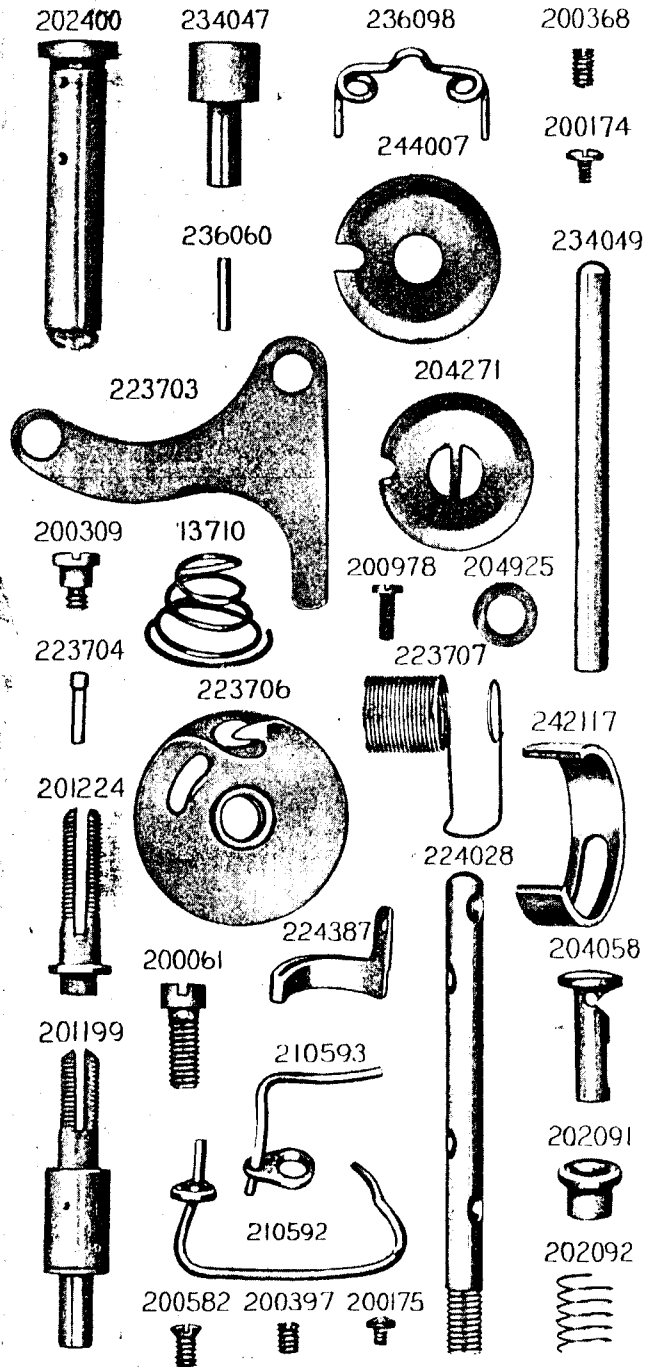


PLATE 15290—FULL SIZE

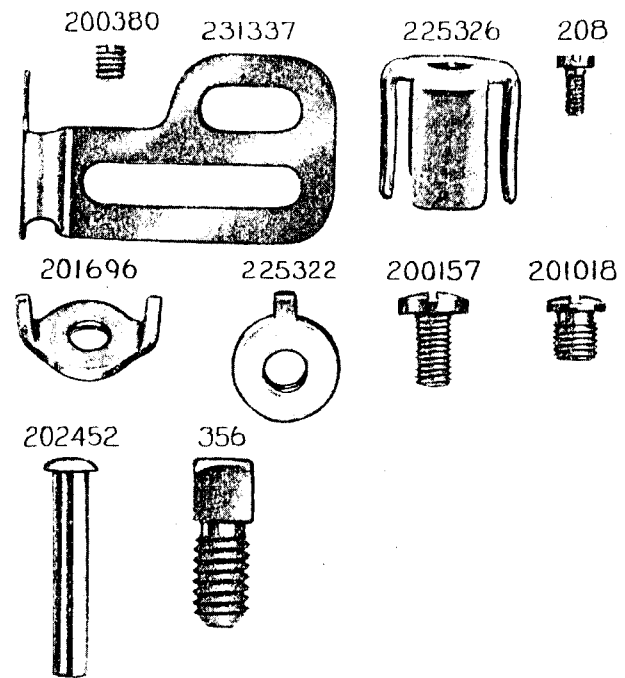
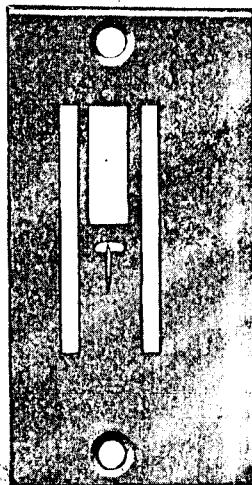
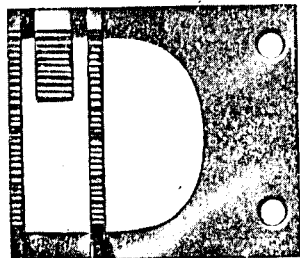


PLATE 15291—FULL SIZE

242129

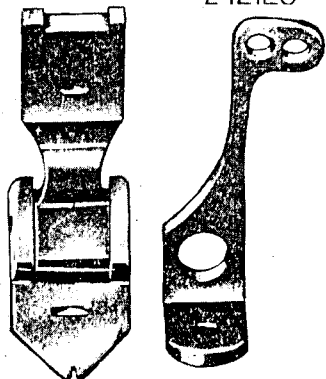


210527



~~242132~~
~~210620~~

242128



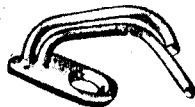
242130



202090 200174



242126



242127

