

**SINGER**  
**107G201,G203,G253**

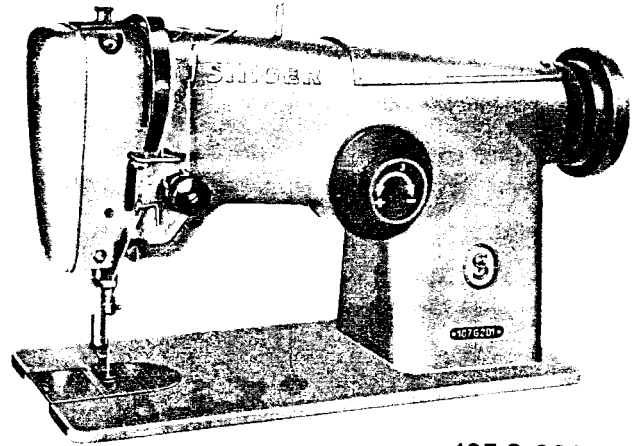
# ILLUSTRATED PARTS LIST for SINGER

## MACHINE

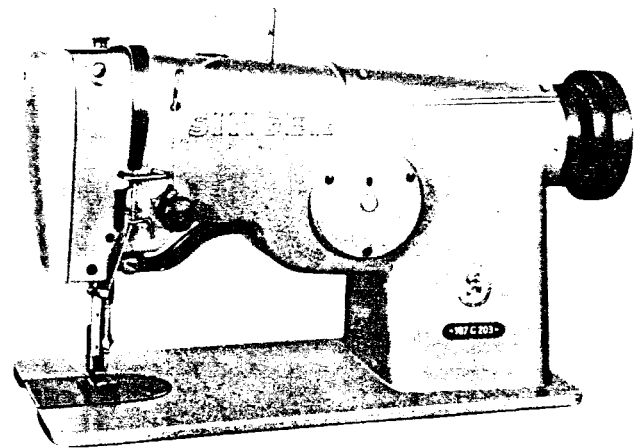
107 G 201

107 G 203

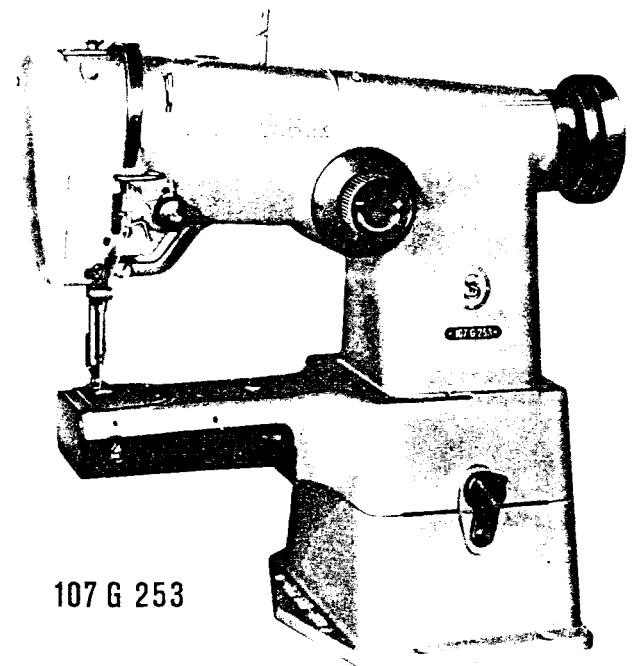
107 G 253



107 G 201



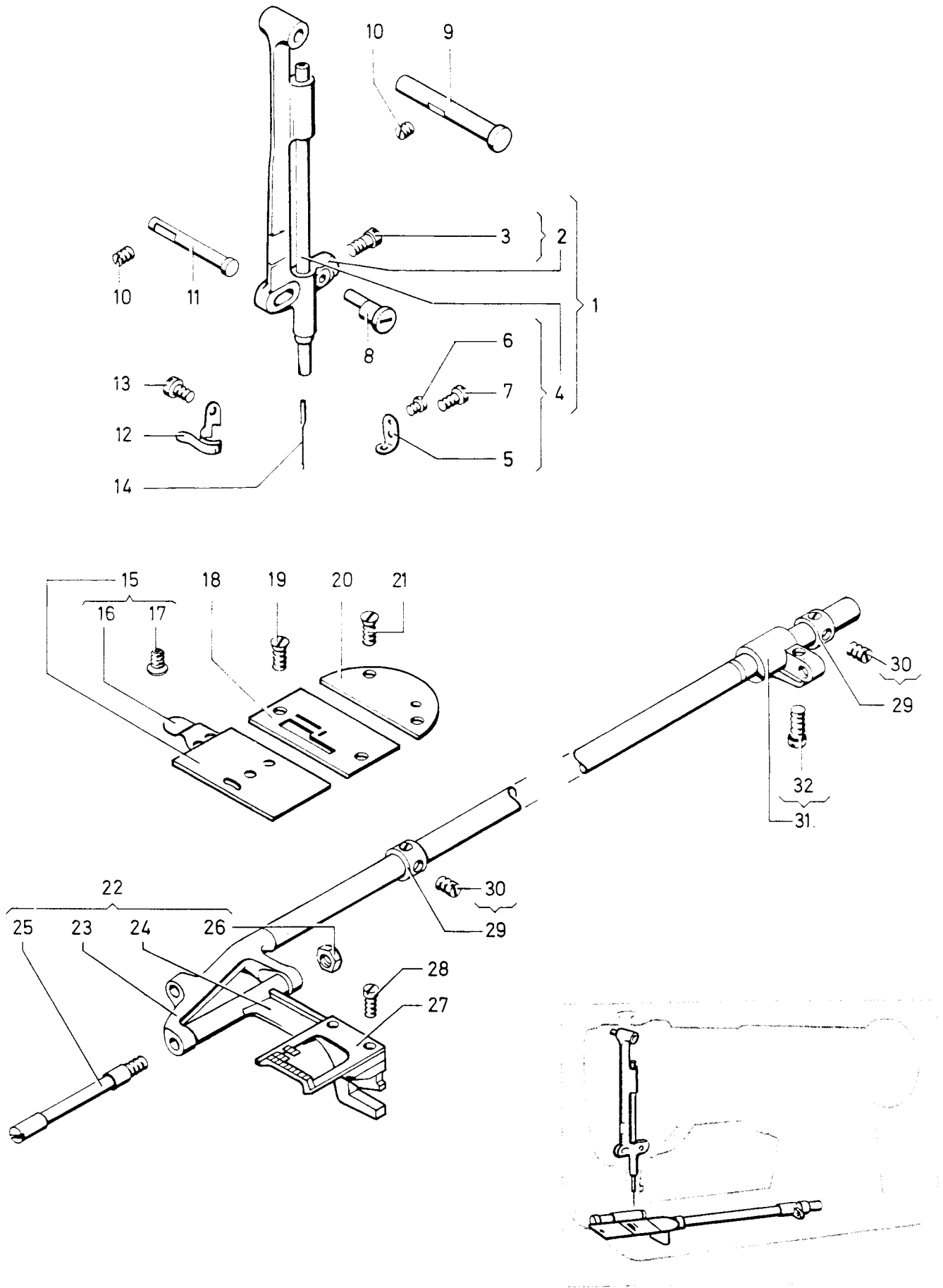
107 G 203



107 G 253

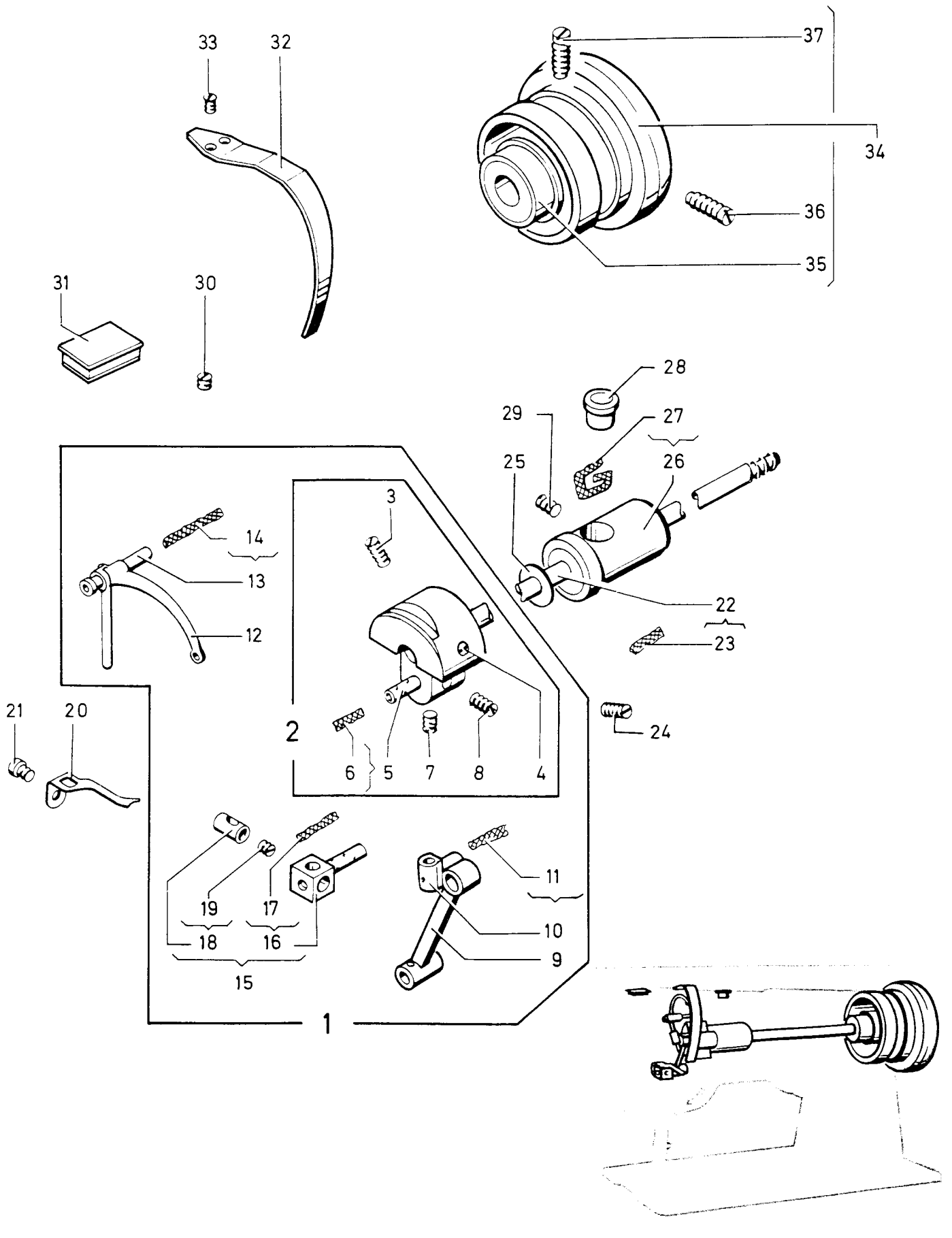
Ill. Ref. No.	For Class 107 G			Name	Components	
	Part No.	201	203			253
1	210542	x	x	x	Needle Bar Frame Cpl.	210546, 224317 200070
2	210546	x	x	x	Needle Bar Frame with	
3	200070-850	x	x	x	Needle Bar Frame Pitman Eccentric Stud Set Screw	
4	224317	x	x	x	Needle Bar Cpl.	200125, 200175, 249270
5	249270	x	x	x	Needle Bar Thread Guide	
6	200175-850	x	x	x	Needle Thread Guide Screw	
7	200125-833	x	x	x	Needle Set Screw	
8	210557	x	x	x	Needle Bar Frame Pitman Eccentric Stud	
9	508163	x	x	x	Needle Bar Frame Hinge Stud	
10	200334-833	x	x	x	Needle Bar Frame Hinge and Guide Stud Set Screw (2)	
11	210547	x	x	x	Needle Bar Frame Guide Stud	
12	224387	x	x	-	Thread Guide	
13	200172-850	x	x	-	Thread Guide Screw	
14	Cat. 1901-12-2	x	-	x	Needle	
	Cat. 1901-14-2	-	x	-	Needle with Supplementary Shoulder	
15	210616	x	x	-	Bed Slide (Front)	508506, 238 (2)
16	508506	x	x	-	Bed Slide Spring	
17	238-850	x	x	-	Bed Slide Spring Screw (2)	
18	210600	x	-	-	Throat Plate, 53 Needle Hole, for Needle Sizes 12 and 13	
19	200577-833	x	x	x	Throat Plate Screw (2)	
20	210505	x	x	x	Bed Plate (Back)	
21	200577-833	x	x	x	Bed Plate (Back) Screw (2)	
22	210513	x	x	-	Feed Bar with	200641, 201522, 202623, 210512
23	202623	x	x	-	Feed Driving Rock Shaft	
24	210512	x	x	-	Feed Bar	
25	200641-803	x	x	-	Feed Bar Hinge Screw (Driving)	
26	201522-805	x	x	-	Feed Bar Hinge Screw (Driving) Nut	
27	210518	x	-	-	Feed Dog	
28	200106-833	x	x	x	Feed Dog Screw (2)	
29	202625	x	x	x	Feed Driving Rock Shaft Stop Collar (2) with	Two each 200383
30	200383-850	x	x	x	Feed Driving Rock Shaft Stop Collar Set Screw (4)	
31	202624	x	x	-	Feed Driving Connection Crank with	200038
32	200038-850	x	x	-	Feed Driving Connection Crank Pinch Screw	

Parts for Machine No. 107 G 201



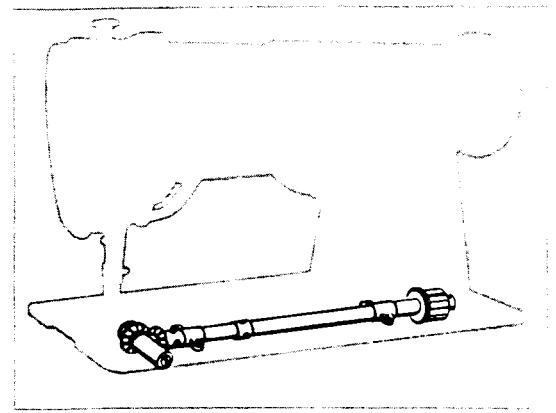
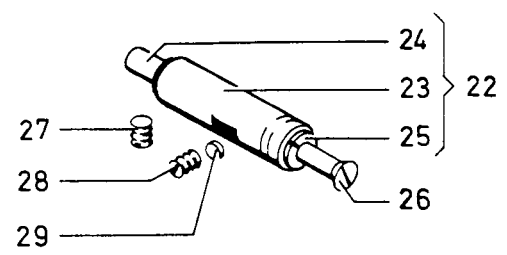
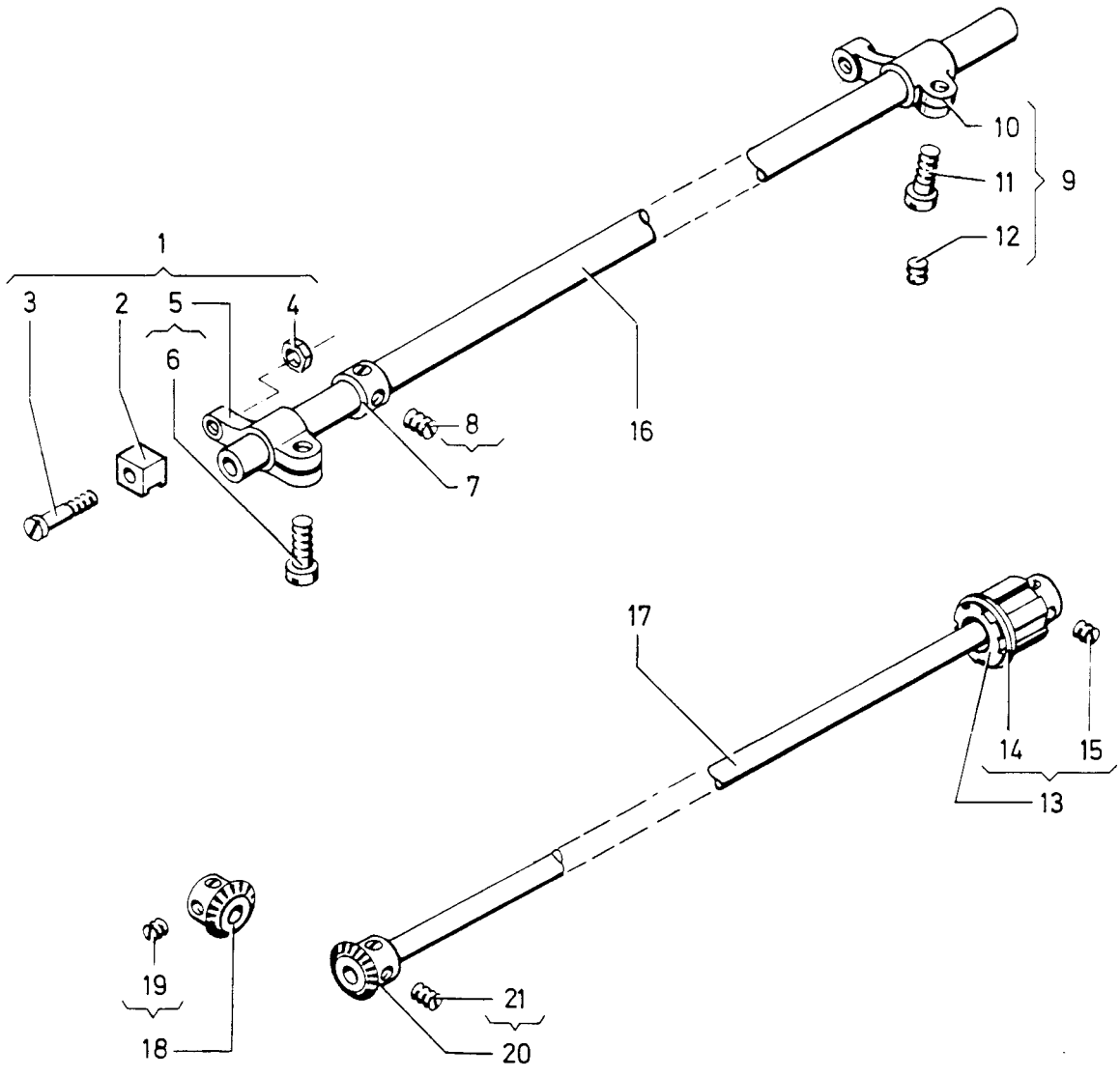
Ill. Ref. No.	For Class 107 G				Name	Components
	Part No.	201	203	253		
1	210883	x	x	x	Needle Bar Crank Cpl.	202399, 202400, 210543, 210585, 210725, 244059
2	210725	x	x	x	Needle Bar Crank with	200335, 200374, 200383, 200432, 202333
3	200335-850	x	x	x	Needle Bar Crank Set Screw	
4	200432-850	x	x	x	Needle Bar Crank Position Screw	
5	202333	x	x	x	Needle Bar Connection Link Stud with	202299
6	202299	x	x	x	Needle Bar Connection Link Stud Oil Packing (Wick)	
7	200383-850	x	x	x	Needle Bar Connecting Link Stud Set Screw	
8	200374-833	x	x	x	Needle Bar Connecting Link Stud Set Screw	
9	210543	x	x	x	Needle Bar Connecting Link	
10	202399	x	x	x	Take-up Lever Driving Stud with	244071
11	244071	x	x	x	Take-up Lever Driving Stud Oil Packing (Wick)	
12	244059	x	x	x	Take-up Lever	
13	202400	x	x	x	Take-up Lever Hinge Stud with	202423
14	202423	x	x	x	Take-up Lever Hinge Stud Oil Packing (Wick)	
15	210585	x	x	x	Needle Bar Connecting Stud with	210544, 210882
16	210544	x	x	x	Needle Bar Connecting Stud with	202299
17	202299	x	x	x	Needle Bar Connecting Stud Oil Packing (Wick)	
18	210882	x	x	x	Needle Bar Connecting Stud Swivel with	200387
19	200387-833	x	x	x	Needle Bar Set Screw	
20	210591	x	x	x	Take-up (Auxiliary)	
21	200132-850	x	x	x	Take-up (Auxiliary) Screw	
22	202249	x	x	x	Arm Shaft with	224392
23	224392	x	x	x	Arm Shaft Oil Packing (Wick)	
24	200388-850	x	x	x	Needle Bar Crank Lock Screw	
25	203172	x	x	x	Needle Bar Crank Friction Washer	
26	207080	x	x	x	Arm Shaft Bushing (Front) with	202244
27	202244	x	x	x	Arm Shaft Bushing (Front) Oil Packing (Wick)	
28	508167	x	x	x	Arm Shaft Bushing (Front) Oil Packing Plug	
29	200341-850	x	x	x	Arm Shaft Bushing (Front) Set Screw	
30	200383-850	x	x	x	Take-up Lever Hinge Stud Set Screw	
31	508168	x	x	x	Needle Bar Frame Cap	
32	508169	x	x	x	Take-up Lever Guard	
33	500350-850	x	x	x	Take-up Lever Guard Screw (2)	
34	508150	x	x	x	Machine Pulley with	141566, 141567, 272142
35	272142	x	x	x	Arm Shaft Ball (Back) (Double Shielded Bearing)	
36	141566-833	x	x	x	Machine Pulley Position Screw	
37	141567-833	x	x	x	Machine Pulley Set Screw	

Parts for Machine No. 107 G 201



Ill. Ref. No.		For Class 107 G			Name	Components
Part No.	201	203	253			
1	210515	x	x	-	Feed Bar Slide Block Crank with	200253, 201531, 202276, 210514
2	202276	x	x	-	Feed Bar Slide Block	
3	200253-850	x	x	-	Feed Bar Slide Block Hinge Screw	
4	201531-805	x	x	-	Feed Bar Slide Block Hinge Screw Nut	
5	210514	x	x	-	Feed Bar Slide Block Crank with	200035
6	200035-850	x	x	-	Feed Bar Slide Block Crank Pinch Screw	
7	202625	x	x	x	Feed Lifting Rock Shaft Stop Collar with	Two 200383
8	200383-850	x	x	x	Feed Lifting Rock Shaft Stop Collar Set Screw (2)	
9	210589	x	x	x	Feed Lifting Connection Crank with	200050, 200378, 210645
10	210645	x	x	x	Feed Lifting Connection Crank	
11	200050	x	x	x	Feed Lifting Connection Crank Pinch Screw	
12	200378-850	x	x	x	Feed Lifting Connection Crank Set Screw	
13	202661	x	x	x	Hook Driving Bevel Pinion Shaft Belt Pulley with	200378, 202324
14	202324	x	x	x	Hook Driving Bevel Pinion Shaft Belt Pulley Spring Flange	
15	200378-850	x	x	x	Hook Driving Bevel Pinion Shaft Belt Pulley Set Screw (2)	
16	508183	x	x	x	Feed Lifting Rock Shaft (Hollow) and Hook Driving Shaft Bearing	
17	210535	x	x	x	Hook Driving Bevel Pinion Shaft	
18	210615	x	x	x	Hook Shaft Bevel Gear (Steel) 24 Teeth with	200382
19	200382-833	x	x	x	Hook Shaft Bevel Gear Set Screw (2)	
20	210614	x	x	x	Hook Driving Bevel Pinion (Steel) 24 Teeth with	Two 200382
21	200378-850	x	x	x	Hook Driving Bevel Pinion Set Screw (2)	
22	241398	x	x	-	Hook Shaft Bushing with	241336, 241397, 350314
23	241336	x	x	-	Hook Shaft Bushing	
24	241397	x	x	-	Hook Shaft (Hollow)	
25	350314-850	x	x	-	Hook Shaft Position Screw	
26	200915-850	x	x	-	Hook Position Screw	
27	200335-850	x	x	-	Hook Shaft Bushing Set Screw	
28	200363-833	x	x	x	Hook Shaft Bushing Set Screw	
29	244084	x	x	x	Hook Shaft Bushing Set Screw Packing (Fiber)	

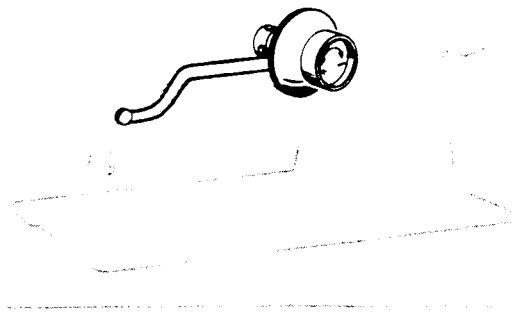
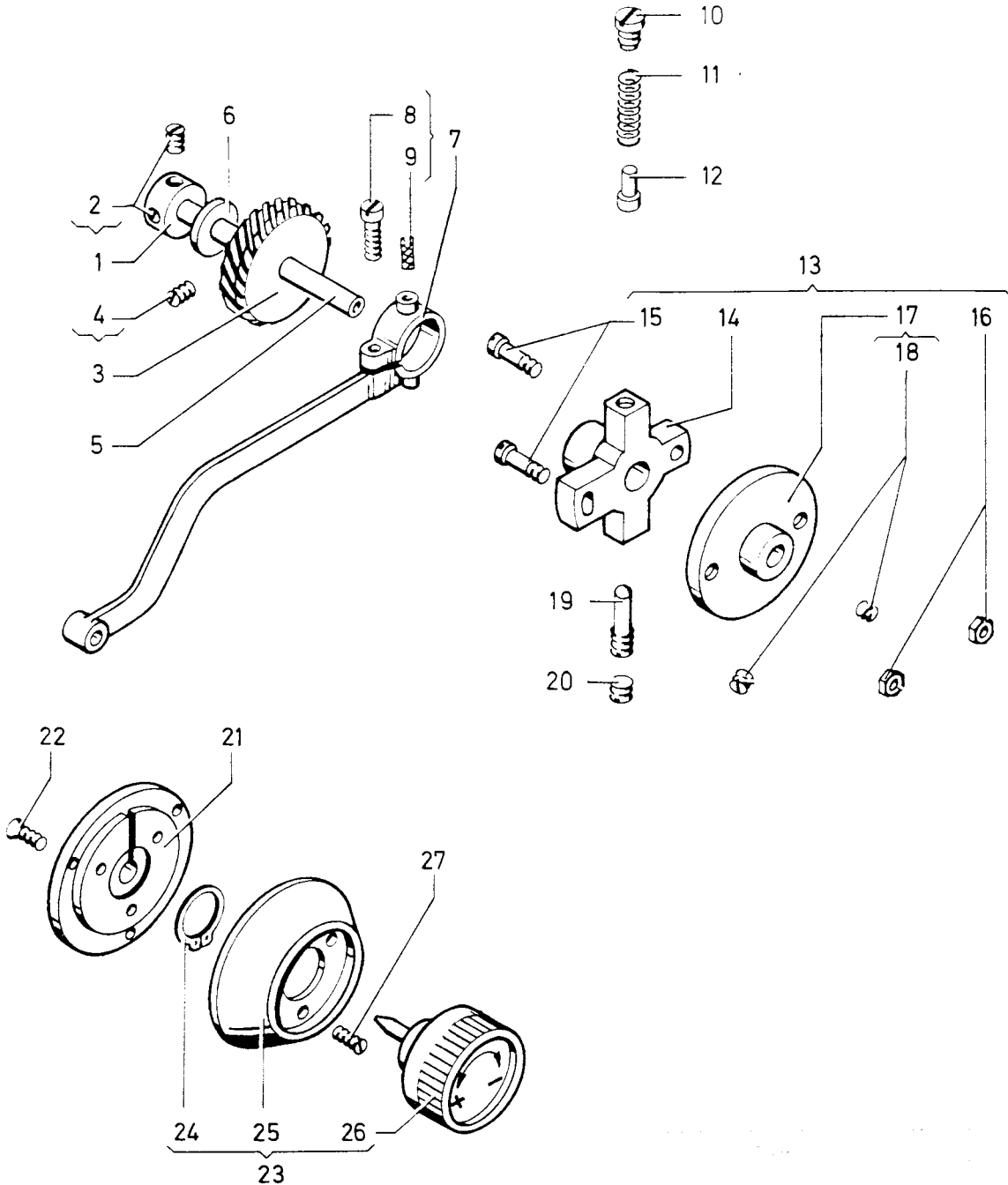
Parts for Machine No. 107 G 201





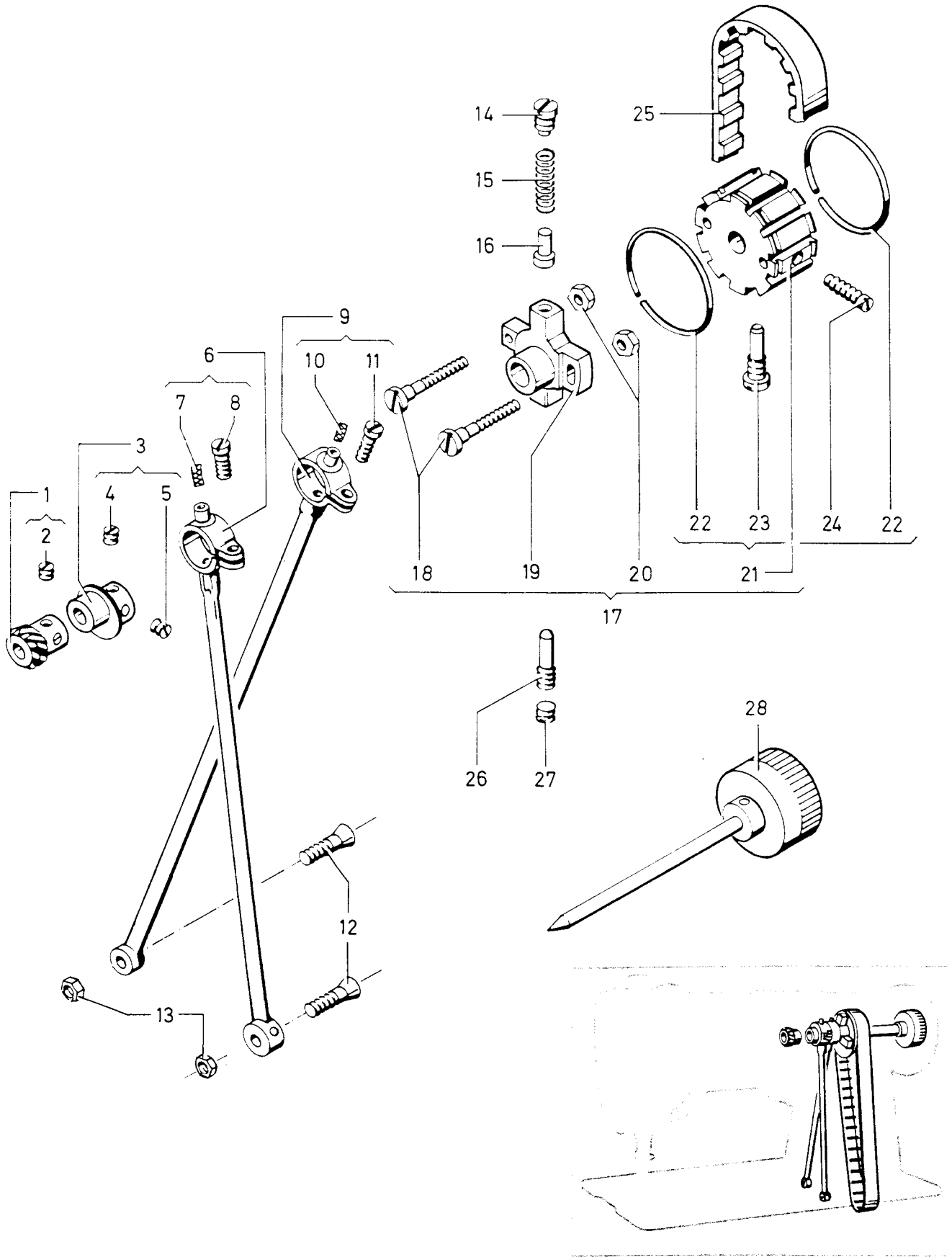
Iii.		For Class 107 G				
Ref.	Part No.	201	203	253	Name	Components
No.						
1	210559	x	-	x	Needle Vibrator Gear Shaft Collar with Two 200378	
2	200378-850	x	-	x	Needle Vibrator Gear Shaft Collar Set Screw (2)	
3	210699	x	-	x	Needle Vibrator Gear (Spiral) with	Two 200382
4	200382-833	x	-	x	Needle Vibrator Gear Set Screw (2)	
5	508164	x	-	x	Needle Vibrator Gear Shaft	
6	203172	x	-	x	Needle Vibrator Gear Friction Washer	
7	210556	x	-	x	Needle Bar Frame Pitman with	200054, 202277
8	200054-850	x	-	x	Needle Bar Frame Pitman Pinch Screw	
9	202277	x	-	x	Needle Bar Frame Pitman Oil Packing (Wick)	
10	200607-850	x	-	x	Needle Vibrator Eccentric Regulating Bracket Plunger Spring Stop Screw	
11	202595	x	-	x	Needle Vibrator Eccentric Regulating Bracket Plunger Spring	
12	202301	x	-	x	Needle Vibrator Eccentric Regulating Bracket Plunger	
13	210550	x	-	x	Needle Vibrating Eccentric Regulating Bracket with	202300, 210552, Two 200256 Two 201525
14	202300	x	-	x	Needle Vibrator Eccentric Regulating Bracket	
15	200256-850	x	-	x	Needle Vibrator Eccentric Regulating Bracket Hinge and Stop Screw (2)	
16	201525-805	x	-	x	Needle Vibrator Eccentric Regulating Bracket Hinge and Stop Screw Nut (2)	
17	210552	x	-	x	Needle Vibrator Eccentric Regulating Bracket Flange with	Two 200383
18	200383-850	x	-	x	Needle Vibrator Eccentric Regulating Bracket Flange Screw (2)	
19	200429-850	x	-	x	Needle Vibrator Regulating Screw	
20	200383-850	x	-	x	Needle Vibrator Regulating Screw Check Screw	
21	508170	x	-	x	Needle Vibrator Gear Shaft Flange	
22	200566-850	x	-	x	Needle Vibrator Gear Shaft Flange Screw (3)	
23	508171	x	-	x	Needle Vibrator Regulating Adjusting Cpl.	508172, 508173, 508174
24	508174	x	-	x	Bight Amplitude Adjusting Knob Retainer	
25	508172	x	-	x	Needle Vibrator Gear Shaft Flange Cover	
26	508173	x	-	x	Bight Amplitude Adjusting Knob	
27	500345-850	x	-	x	Needle Vibrator Gear Shaft Flange Cover Screw (3)	

Parts for Machine No. 107 G 201



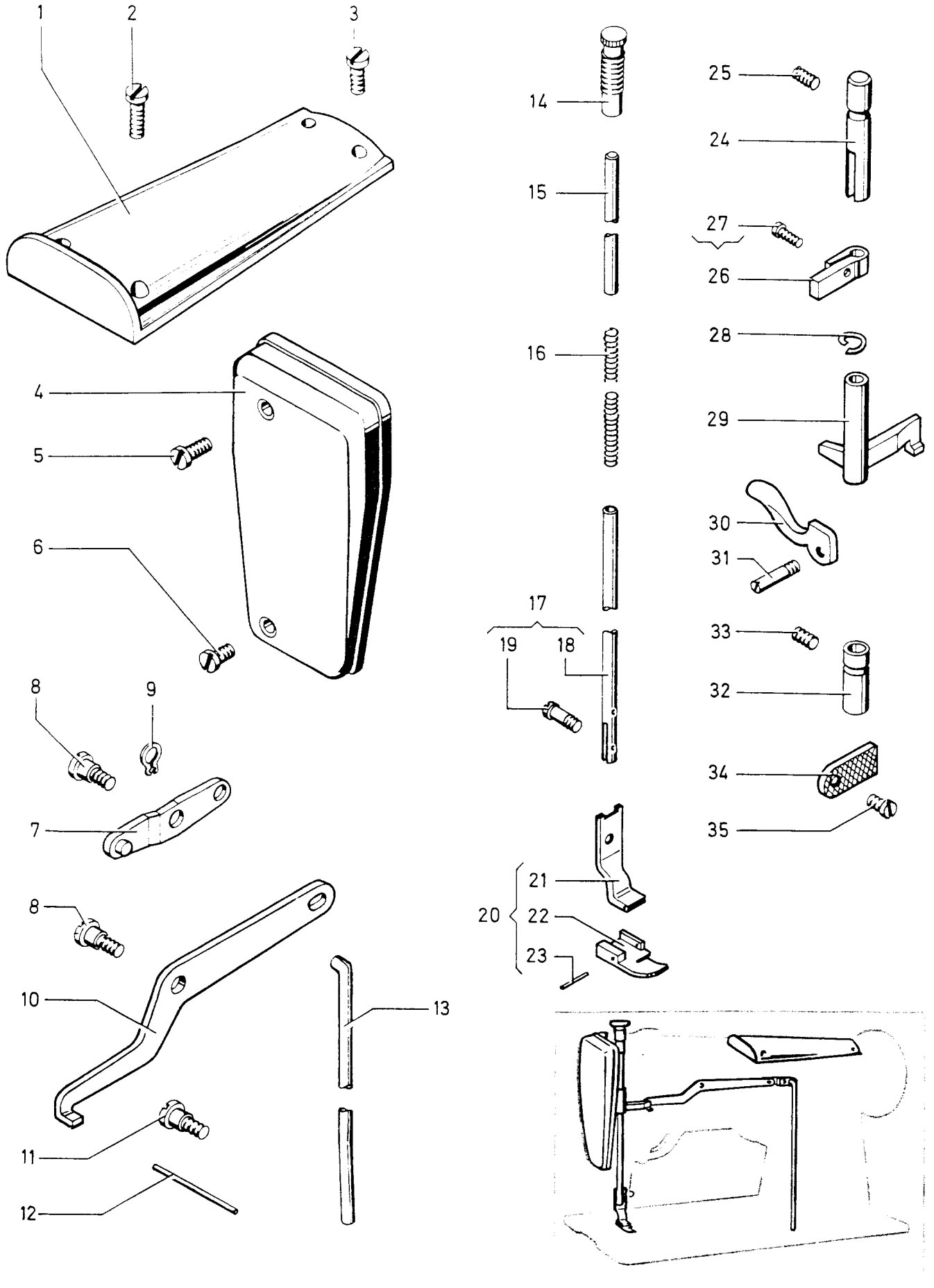
Ill. Ref. No.	For Class 107 G				Name	Components
	Part No.	201	203	253		
1	210700	x	x	x	Needle Vibrator Pinion (Spiral)with	Two 200382
2	200382-833	x	x	x	Needle Vibrator Pinion Set Screw (2)	
3	266053	x	x	x	Feed Lifting Connection Eccentric with	200382, 200437
4	200437-803	x	x	x	Feed Lifting Connection Eccentric Position Screw	
5	200382-833	x	x	x	Feed Lifting Connection Eccentric Set Screw	
6	202306	x	x	x	Feed Lifting Connection with	200054, 203101
7	203101	x	x	x	Feed Lifting Connection Oil Packing (Wick)	
8	200054-850	x	x	x	Feed Lifting Connection Pinch Screw	
9	202297	x	x	x	Feed Driving Connection with	200054, 203101
10	203101	x	x	x	Feed Driving Connection Oil Packing (Wick)	
11	200054-850	x	x	x	Feed Driving Connection Pinch Screw	
12	200545-850	x	x	x	Feed Driving Connection Hinge Screw	
13	201518-805	x	x	x	Feed Driving Connection Hinge Screw Nut	
14	200607-850	x	x	x	Feed Driving Eccentric Regulating Bracket Plunger Spring Stop Screw	
15	202595	x	x	x	Feed Driving Eccentric Regulating Bracket Plunger Spring	
16	202301	x	x	x	Feed Driving Eccentric Regulating Bracket Plunger	
17	203098	x	x	x	Feed Driving Eccentric Regulating Bracket Cpl,	Two 201014, Two 201525, 202300, 202635
18	201014-850	x	x	x	Feed Driving Eccentric Regulating Bracket Stop and Hinge Screw (2)	
19	202300	x	x	x	Feed Driving Eccentric Regulating Bracket	
20	201525-805	x	x	x	Feed Driving Eccentric Regulating Bracket Stop Screw and Hinge Screw Nut (2)	
21	202635	x	x	x	Arm Shaft Connection Belt Pulley with	200602, 200327, Two 202253
22	202253	x	x	x	Arm Shaft Connection Belt Pulley Spring Flange (2)	
23	200602-850	x	x	x	Arm Shaft Connection Belt Pulley Position Screw	
24	200327-833	x	x	x	Arm Shaft Connection Belt Pulley Set Screw	
25	224400	x	x	x	Arm Shaft Connection Belt (Reinforced Neoprene)	
26	200429-850	x	x	x	Feed Driving Eccentric Regulating Screw	
27	200383-850	x	x	x	Feed Driving Eccentric Regulating Screw Check Screw	
28	508155	x	x	x	Feed Regulating Spindle Insert	

Parts for Machine No. 107 G 201



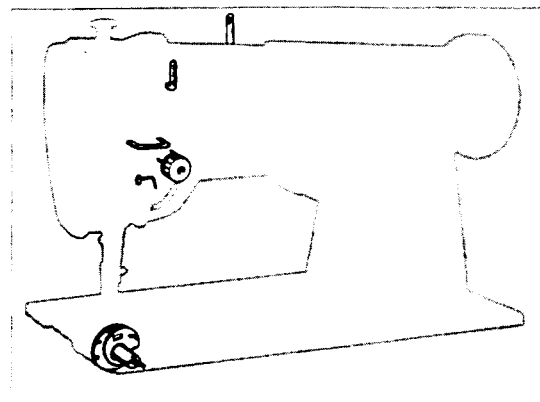
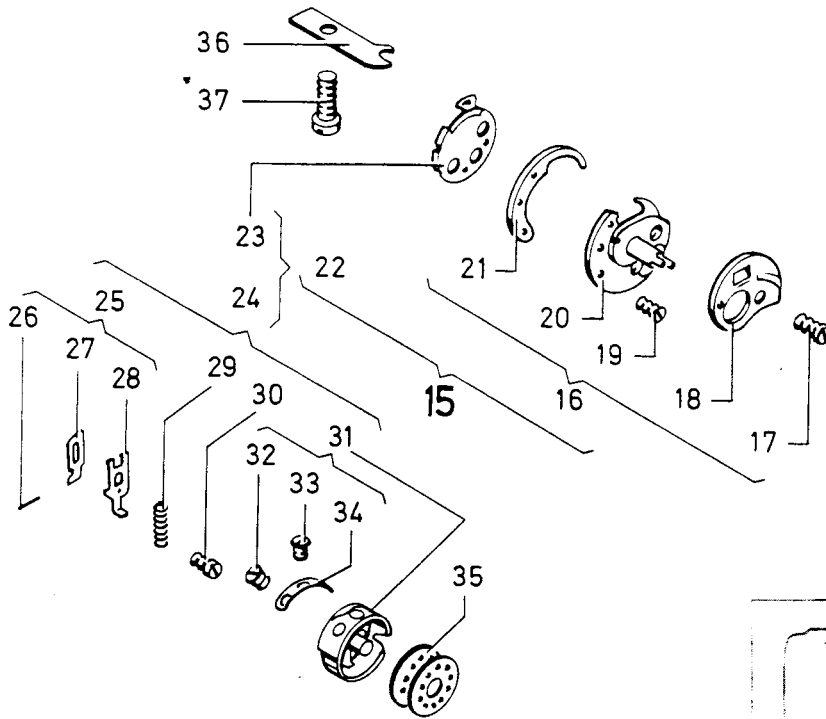
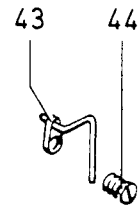
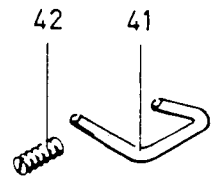
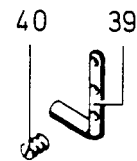
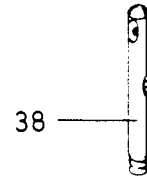
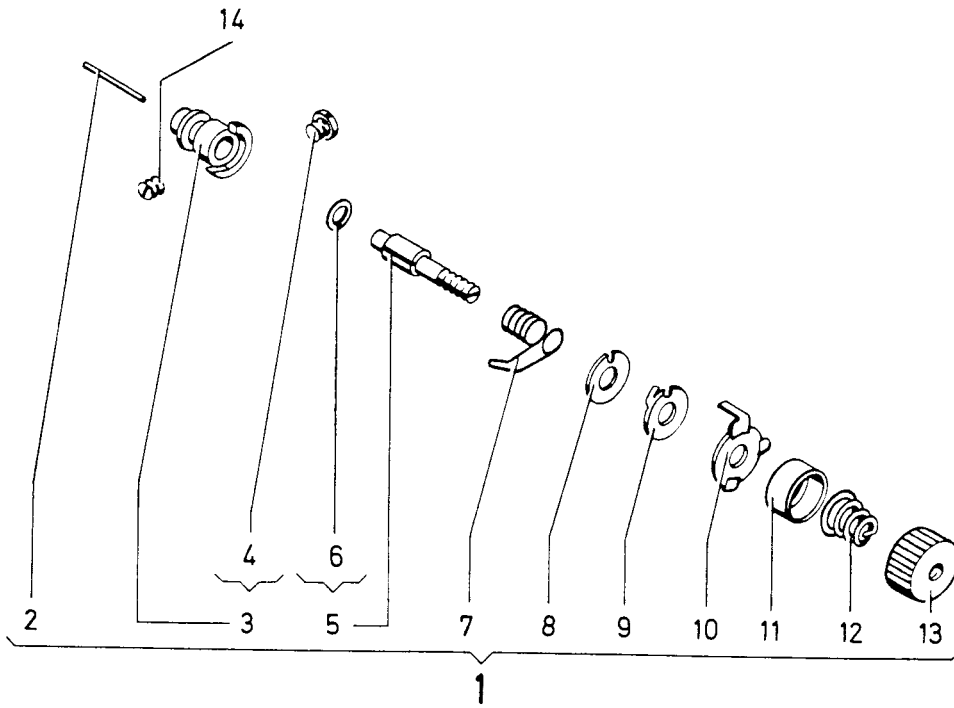
Ill. Ref. No.		For Class 107 G			Name	Components
Part No.	201	203	253			
1	508153	x	x	x	Arm Cover (Top)	
2	1186-850	x	x	x	Arm Cover (Top) Screw (2)	
3	160-850	x	x	x	Arm Cover (Top) Screw (2)	
4	508154	x	x	x	Face Plate	
5	1186-850	x	x	x	Face Plate Screw	
6	160-850	x	x	x	Face Plate Screw	
7	508159	x	x	-	Knee Lifter Connection Lever Cpl.	
8	200262-850	x	x	-	Knee Lifter Lifting Lever Hinge Screw (2)	
9	502830	x	x	x	Knee Lifter Connection Lever Lifting Rod Grip Ring	
10	508158	x	x	-	Knee Lifter Lifting Lever	
11	200260-850	x	x	x	Presser Bar Lifting Releasing Lever Bracket Guide Screw	
12	508182	x	x	x	Tension Release Plunger	
13	508161	x	x	x	Knee Lifter Connection Lever Lifting Rod	
14	200492-850	x	x	x	Presser Bar Thumb Screw (Pressure Regulating)	
15	202346	x	x	x	Presser Bar Spring Stop Rod	
16	202343	x	-	x	Presser Bar Spring (Light)	
17	202335	x	x	x	Presser Bar Cpl.	200074, 244033
18	244033	x	x	x	Presser Bar (Hollow)	
19	200074-850	x	x	x	Presser Foot Screw	
20	210569	x	-	-	Presser Foot (Hinged) Cpl.	202090, 203029, 210620
21	210620	x	-	-	Presser Foot Shank	
22	203029	x	-	-	Presser Foot Plate	
23	202090	x	-	-	Bed Slide (Front)	
24	202337	x	x	x	Pressure Bar Position Guide	
25	200352-833	x	x	x	Pressure Bar Position Guide Set Screw	
26	202338	x	x	x	Pressure Bar Position Guide Lever with	200086
27	200086-833	x	x	x	Pressure Bar Position Guide Lever Pinch Screw	
28	206608	x	x	x	Pressure Bar Lifting Releasing Lever Bracket Spring	
29	508157	x	x	x	Presser Bar Lifting Releasing Lever Bracket	
30	202554	x	x	x	Presser Bar Lifter	
31	200653-850	x	x	x	Presser Bar Lifter Hinge Screw	
32	207072	x	x	x	Presser Bar Bushing	
33	200352-833	x	x	x	Presser Bar Bushing Set Screw	
34	202401	x	x	x	Take-up Lever Oiling Felt	
35	200132-850	x	x	x	Take-up Lever Oiling Felt Screw	

Parts for Machine No. 107 G 201



I11. For Class 107 G						
Ref. No.	Part No.	201	203	253	Name	Components
1	508179	x	x	x	Tension Cpl.	202410, 223438, 244048, 244049, 263547, 263548, 263552, 350613, 500795, 508180
2	263548	x	x	x	Tension Releasing Pin	
3	263552	x	x	x	Thread Controller Spring Regulator with	50305
4	50305-850	x	x	x	Thread Stud Set Screw	
5	350613-806	x	x	x	Tension Stud with	263550
6	263550	x	x	x	Tension Stud Washer	
7	202410	x	x	x	Thread Controller Spring	
8	244048	x	x	x	Tension Disc (Back)	
9	244049	x	x	x	Tension Disc (Front)	
10	263547	x	x	x	Tension Release Washer	
11	508180	x	x	x	Tension Spring Washer	
12	223438	x	x	x	Tension Spring	
13	500795	x	x	x	Tension Thumb Nut	
14	140321-850	x	x	x	Thread Controller Spring Regulator Set Screw	
15	224443	x	x	x	Hook and Bobbin Case Cpl.	224442, 224433
16	224433	x	x	x	Hook with	224432, 200145, 210536, 210541, Three 200596
17	200145-850	x	x	x	Hook Washer Needle Guard Screw	
18	210541	x	x	x	Hook Washer Needle Guard	
19	200596-850	x	x	x	Hook Gib Screw (3)	
20	224432	x	x	x	Hook (Sewing) Cpl.	
21	210536	x	x	x	Hook Gib	
22	224442	x	x	x	Bobbin Case Cpl.	210846, 224441
23	210846	x	x	x	Bobbin Case Base	
24	224441	x	x	x	Bobbin Case Cap Cpl.	200964, 210736, 210914, 224440
25	210914	x	x	x	Bobbin Case Latch with	210734, 210735, 210913
26	210735	x	x	x	Bobbin Case Latch Fulcrum Pin	
27	210734	x	x	x	Bobbin Case Latch Lever	
28	210913	x	x	x	Bobbin Case Latch	
29	210736	x	x	x	Bobbin Case Latch Spring	
30	200964-833	x	x	x	Bobbin Case Latch Stop Screw	
31	224440	x	x	x	Bobbin Case Cap with	200592, 201016, 263110
32	200592-850	x	x	x	Bobbin Case Tension Spring Screw	
33	201016-850	x	x	x	Bobbin Case Tension Spring Regulating Screw	
34	263110	x	x	x	Bobbin Case Tension Spring	
35	263099	x	x	x	Bobbin	
36	210764	x	x	-	Bobbin Case Stop	
37	200076-850	x	x	-	Bobbin Case Stop Screw	
38	202412	x	x	x	Thread Guide (On Top of Arm)	
39	240034	x	x	x	Thread Retainer	
40	51220-833	x	x	x	Thread Retainer Set Screw	
41	508166	x	x	x	Thread Guide (Upper)	
42	51220-833	x	x	x	Thread Guide (Upper) Screw	
43	210593	x	x	x	Thread Guide (Lower)	
44	200582	x	x	x	Thread Guide (Lower) Screw	

Parts for Machine No. 107 G 201

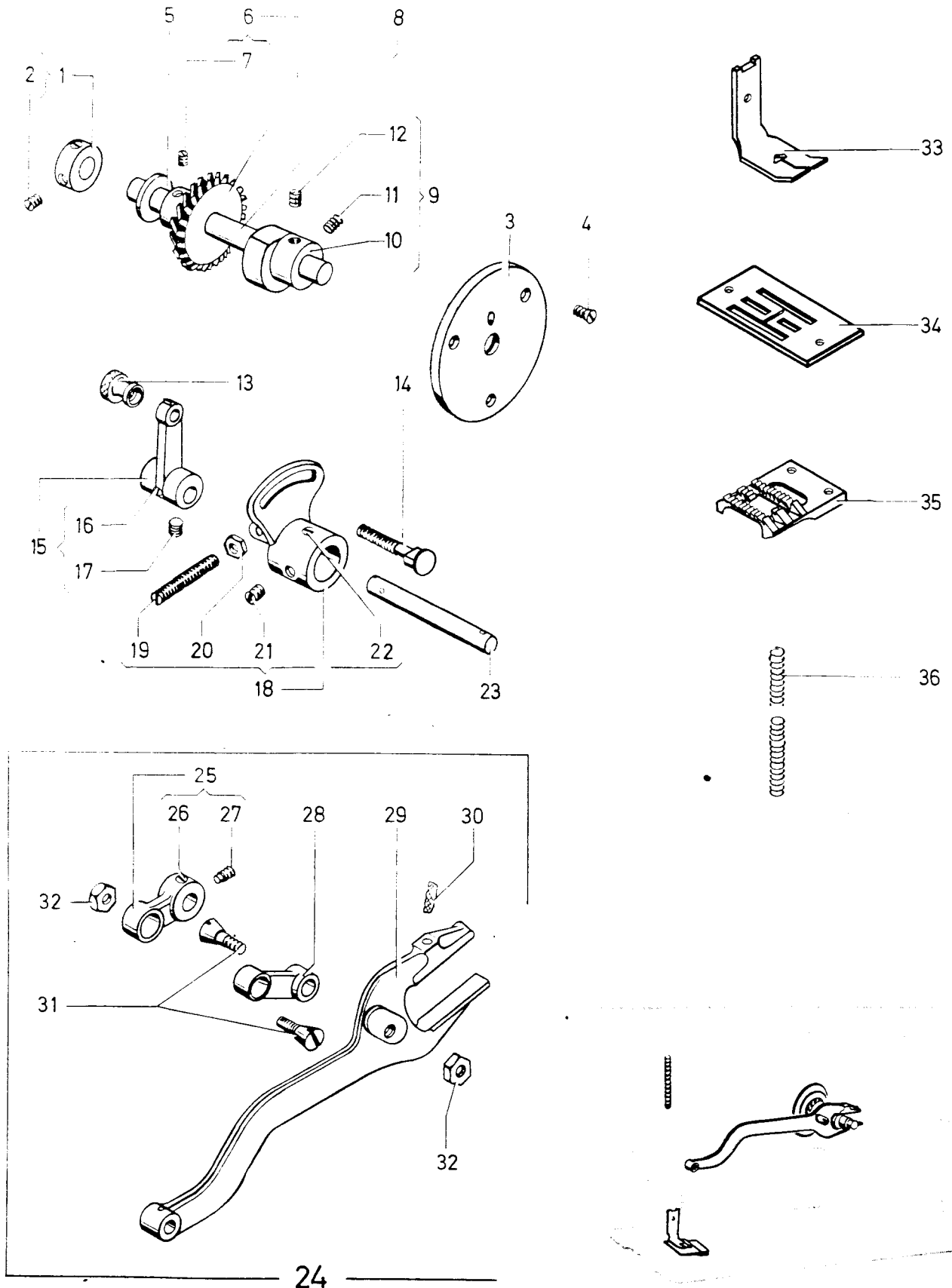




Ill. Ref. No.	For Class 107 G				Name	Components
	Part No.	201	203	253		
1	210559	-	x	-	Needle Vibrator Cam Shaft Collar with Two 200378	
2	200378-850	-	x	-	Needle Vibrator Cam Shaft Collar Set Screw (2)	
3	508188	-	x	-	Needle Vibrator Cam Shaft Bearing and Cover	
4	200566-804	-	x	-	Needle Vibrator Cam Shaft Bearing and Cover Screw (3)	
5	203172	-	x	-	Needle Vibrator Gear Trust Washer	
6	210699	-	x	-	Needle Vibrator Gear (Spiral) with	Two 200382
7	200382-833	-	x	-	Needle Vibrator Gear Set Screw (2)	
8	508189	-	x	-	Needle Vibrator Cam Shaft	
9	210780	-	x	-	Needle Vibrator Cam with	200378, 200383, 210779
10	210779	-	x	-	Needle Vibrator Cam	
11	200378-803	-	x	-	Needle Vibrator Cam Set Screw	
12	200383-803	-	x	-	Needle Vibrator Cam Set Screw	
13	201556-804	-	x	-	Needle Vibrator Regulating Lever Slide Thumb Nut	
14	210772	-	x	-	Needle Vibrator Regulating Lever Slide	
15	210770	-	x	-	Needle Vibrator Regulating Lever with 200378, 200917	
16	200917-803	-	x	-	Needle Vibrator Regulating Lever Position Bracket Screw	
17	200378-803	-	x	-	Needle Vibrator Regulating Lever Set Screw	
18	210781	-	x	-	Needle Vibrator Regulating Lever Position Bracket (indexed) with	200326, 200378 200917, 201531
19	200326-803	-	x	-	Needle Vibrator Regulating Lever Position Bracket Stop Screw	
20	201531-805	-	x	-	Needle Vibrator Regulating Lever Position Bracket Stop Screw Nut	
21	200917-803	-	x	-	Needle Vibrator Regulating Lever Position Bracket Position Screw	
22	200378-803	-	x	-	Needle Vibrator Regulating Lever Position Bracket Set Screw	
23	210711	-	x	-	Needle Vibrator Crank Shaft	
24	210769	-	x	-	Needle Bar Frame Pitman with	202277, 210712, 210768, 224353, Two 200919, Two 201522
25	210712	-	x	-	Needle Vibrator Crank with	200378, 200917
26	200378-803	-	x	-	Needle Vibrator Crank Set Screw	
27	200917-803	-	x	-	Needle Vibrator Crank Position Screw	
28	224353	-	x	-	Needle Vibrator Crank Link	
29	210768	-	x	-	Needle Bar Frame Pitman	
30	202277	-	x	-	Needle Bar Frame Pitman Oil Packing (Wick)	
31	200919-803	-	x	-	Needle Vibrator Crank Link Hinge Screw (Lower or upper) (2)	
32	201522-805	-	x	-	Needle Vibrator Crank Link Hinge Screw (Lower or upper) Nut (2)	
33	210773	-	x	-	Presser Foot	
34	210774	-	x	-	Throat Plate, 53 Needle Hole, for Needles Sizes 12 and 13	
35	210767	-	x	-	Feed Dog	
36	202378	-	x	-	Presser Bar Spring (Heavy)	

### Parts for Machine No. 107 G203

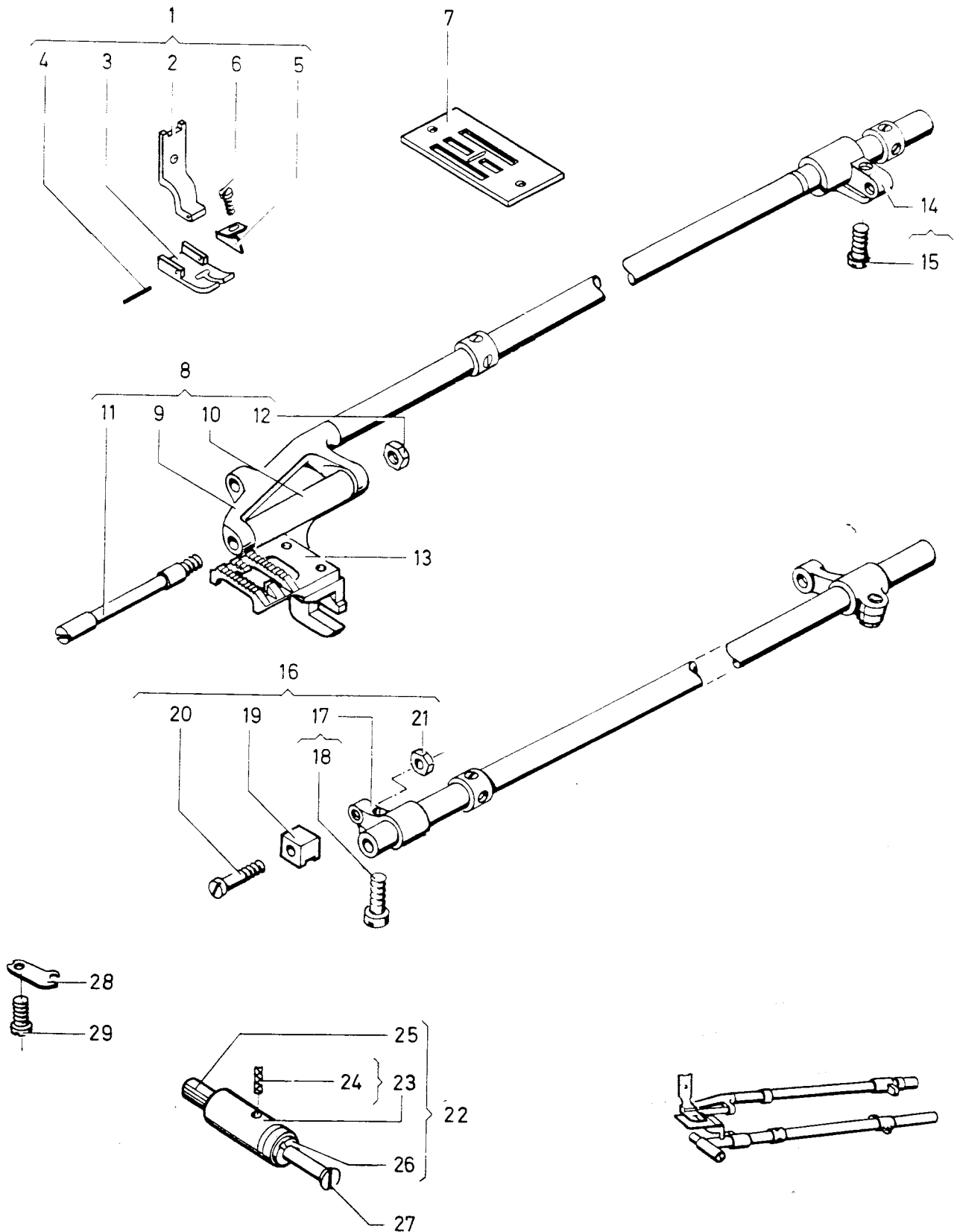
For Parts not illustrated and/or not indicated by reference numbers, refer to Machine 107 G 201



Ill. Ref. No.		For Class 107 G			Name	Components
Part No.	201	203	253			
1	242055	-	-	x	Presser Foot (Hinged) Cpl.	200175, 202923, 230795, 242053, 242054
2	202923	-	-	x	Presser Foot Shank	
3	242054	-	-	x	Presser Foot Plate	
4	230795	-	-	x	Presser Foot Hinge Pin	
5	242053	-	-	x	Presser Foot Edge Guide	
6	200175-819	-	-	x	Presser Foot Edge Guide Screw	
7	210603	-	-	x	Throat Plate, 53 Needle Hole, for Needle Sizes 12 and 13	
8	242006	-	-	x	Feed Bar with	200641, 201522, 202623, 242005
9	202623	-	-	x	Feed Driving Rock Shaft	
10	242005	-	-	x	Feed Bar	
11	200641-803	-	-	x	Feed Bar Hinge Screw (Driving)	
12	201522	-	-	x	Feed Bar Hinge Screw Nut	
13	242018	-	-	x	Feed Dog	
14	242022	-	-	x	Feed Driving Connection Crank with	200038
15	200038-803	-	-	x	Feed Driving Connection Crank Pinch Screw	
16	242008	-	-	x	Feed Bar Slide Block Crank with	200205, 201518, 202276, 202624
17	202624	-	-	x	Feed Bar Slide Block Crank with	200038
18	200038-803	-	-	x	Feed Bar Slide Block Crank Pinch Screw	
19	202276	-	-	x	Feed Bar Slide Block	
20	200205-806	-	-	x	Feed Bar Slide Block Hinge Screw	
21	201518	-	-	x	Feed Bar Slide Block Hinge Screw Nut	
22	242012	-	-	x	Hook Shaft Bushing Cpl.	200931, 242011, 242020
23	242020	-	-	x	Hook Shaft Bushing with	265683
24	265683	-	-	x	Hook Shaft Bushing Oil Packing (Wick)	
25	242011	-	-	x	Hook Shaft (Hollow)	
26	200931-806	-	-	x	Hook Shaft Position Screw	
27	350084-806	-	-	x	Hook Position Screw	
28	242002	-	-	x	Bobbin Case Stop	
29	200126-804	-	-	x	Bobbin Case Stop Screw	

## Parts for Machine No. 107 G 253

For Parts not illustrated and/or not indicated by reference numbers, refer to Machine 107 G 201

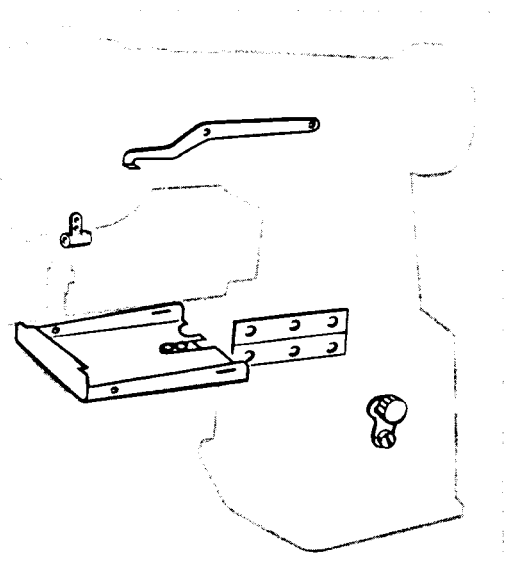
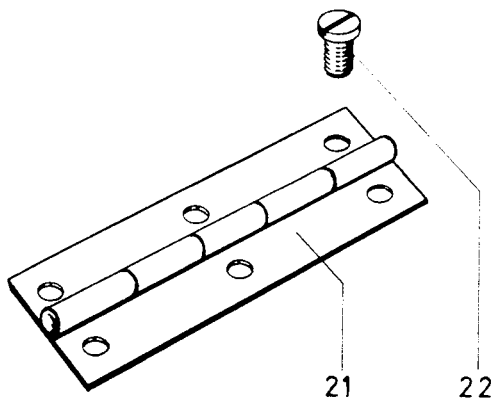
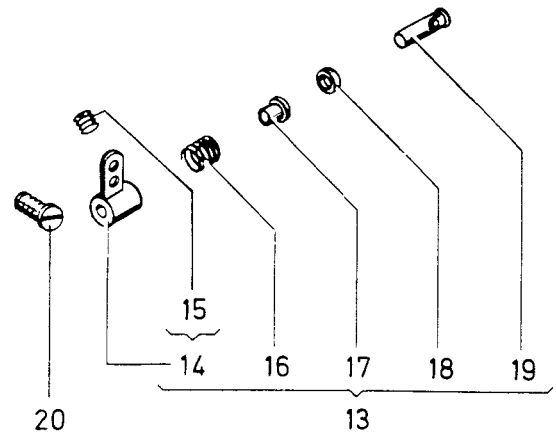
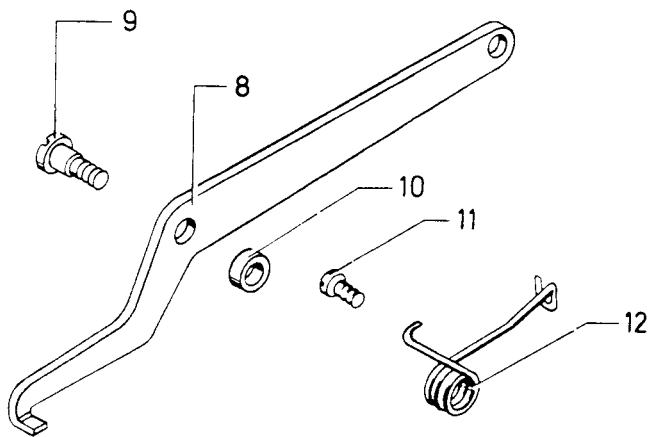
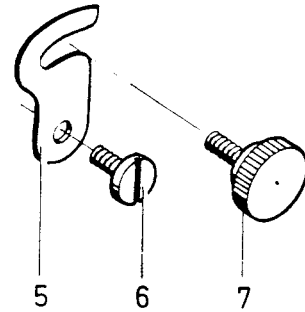
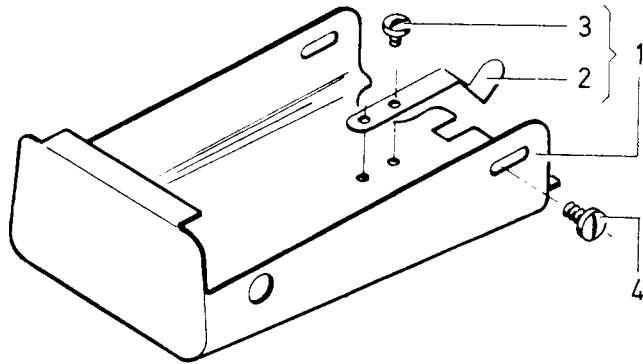


Ill. For Class 107 G  
 Ref.

Ill. No.	Part No.	201	203	253	Name	Components
1	242003	-	-	x	Cylinder End Cover with	242004 Two 200177
2	242004	-	-	x	Cylinder End Cover Latch	
3	200177-804	-	-	x	Cylinder End Cover Latch Screw (2)	
4	200294-819	-	-	x	Cylinder End Cover Hinge Screw (2)	
5	203184	-	-	x	Bed Clamp	
6	200262-819	-	-	x	Bed Clamp Hinge Screw	
7	500360-850	-	-	x	Bed Clamp Thumb Screw	
8	508194	-	-	x	Knee Lifter Lifting Lever	
9	200242-850	-	-	x	Knee Lifter Lifting Lever Hinge Screw	
10	233390	-	-	x	Knee Lifter Lifting Lever Washer	
11	200273-804	-	-	x	Knee Lifter Lifting Lever Spring Screw	
12	508195	-	-	x	Knee Lifter Lifting Lever Spring	
13	508196	-	-	x	Thread Retainer Bracket Cpl.	210957, 210958, 210992, 210993, 508197
14	210956	-	-	x	Thread Retainer Bracket with	200397
15	200397-819	-	-	x	Thread Retainer Stud Set Screw	
16	210992	-	-	x	Thread Retainer Spring	
17	210957	-	-	x	Thread Retainer Stud	
18	210958	-	-	x	Thread Retainer Stud Collar	
19	210993	-	-	x	Thread Retainer Sleeve	
20	200582-850	-	-	x	Thread Guide Screw	
21	202618	-	-	x	Bed Hinge	
22	201110-819	-	-	x	Bed Hinge Screw (6)	

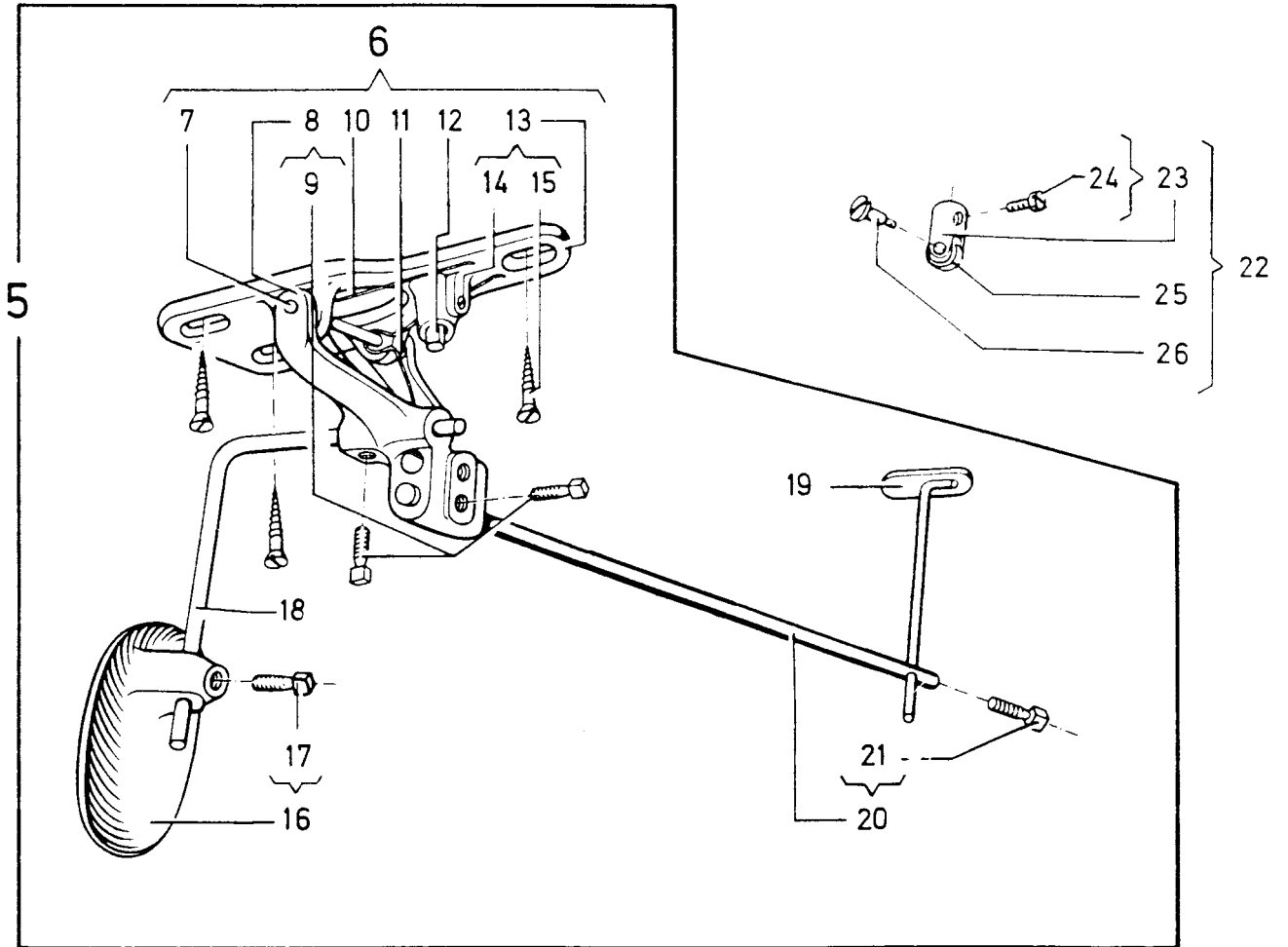
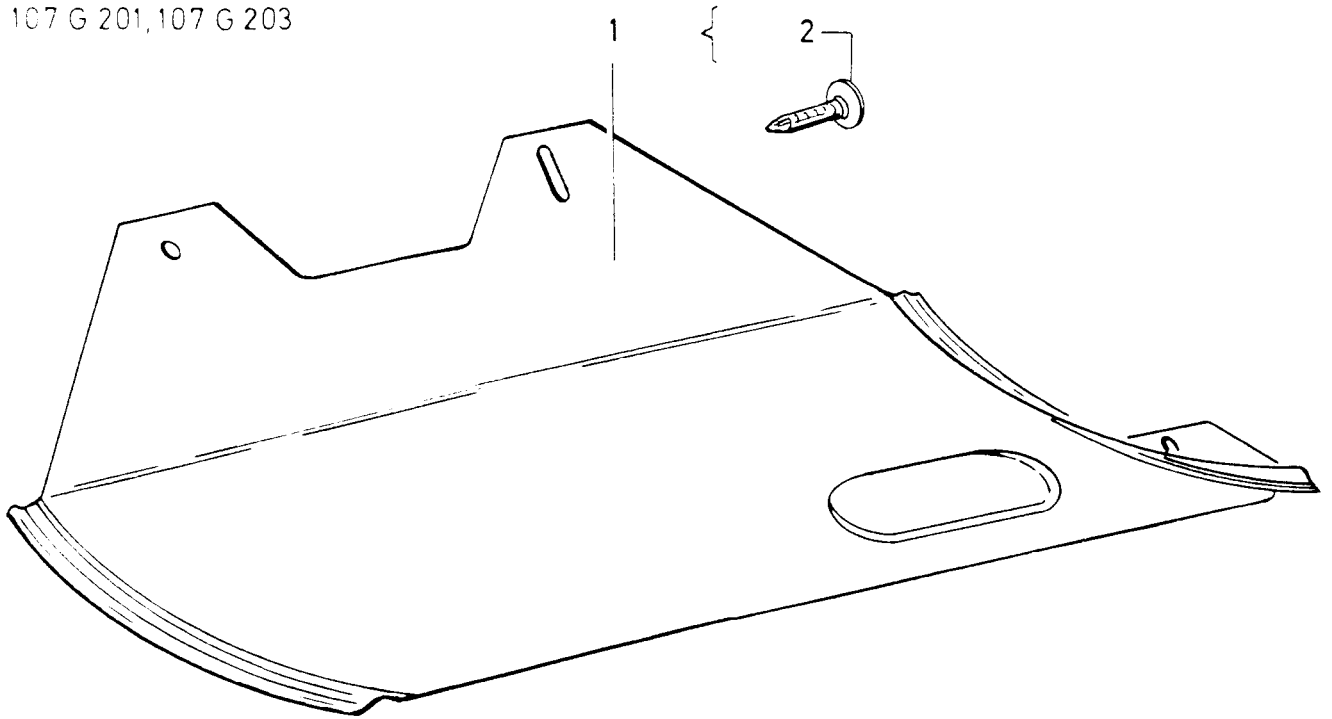
## Parts for Machine No. 107 G 253

For Parts not illustrated and/or not indicated by reference numbers, refer to Machine 107 G 201



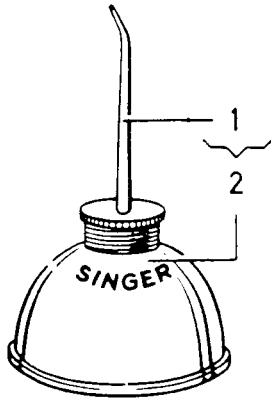
Ill. Ref. No.		For Class 107 G			Name	Components
Part No.	201	203	253			
1	228212	x	x	-	Drip Pan (Short) with	Four 3/4 Inch Wire Nails
2	-----	x	x	-	Drip Pan Wire Nails, 3/4 Inch Long (4)	
5	228710	x	x	-	Knee Lifter Rock Lever Cpl.	228364, 228365, 228370, 228388, 228709
6	228709	x	x	-	Knee Lifter Rock Lever Bracket with	228707, 228363, 228367, 228386, 228455, 228713
7	228363	x	x	-	Knee Lifter Rock Lever Hinge Pin	
8	228713	x	x	-	Knee Lifter Rock Lever with	Two 350231
9	350231-803	x	x	-	Knee Lifter Rock Lever Extension Set Screw and Knee Lifter Rock Lever Knee Plate Arm Set Screw (2)	
10	228455	x	x	-	Knee Lifter Rock Lever Position Spring	
11	228386	x	x	-	Knee Lifter Rock Lever Spring	
12	228367	x	x	-	Knee Lifter Rock Lever Stop Stud	
13	228707	x	x	-	Knee Lifter Rock Lever Bracket with	200347, Three Wood Screws 7/8 Inch No. 12
14	200347-830	x	x	-	Knee Lifter Rock Lever Stop Stud Set Screw	
15	-----	x	x	-	Wood Screw 7/8 Inch (Long) No. 12 (3)	
16	228364	x	x	-	Knee Lifter Rock Lever Knee Plate with	350231
17	350231-803	x	x	-	Knee Lifter Rock Lever Knee Plate Set Screw	
18	228388	x	x	-	Knee Lifter Rock Lever Knee Plate Arm	
19	228365	x	x	-	Knee Lifter Rock Lever Rod	
20	228370	x	x	-	Knee Lifter Rock Lever Extension with	200530
21	200530-803	x	x	-	Knee Lifter Rock Lever Rod Set Screw	
22	224413	x	x	-	Needle Vibrator Operating Rod Roller Cpl.	200270, 224411, 224412
23	224412	x	x	-	Needle Vibrator Operating Rod Roller Bracket with	200113
24	200113-850	x	x	-	Needle Vibrator Operating Rod Roller Bracket Set Screw	
25	224411	x	x	-	Needle Vibrator Operating Roller	
26	200270-850	x	x	-	Needle Vibrator Operating Roller Hinge Screw	
	Cat. 1901-10-2	x	-	-	Needle (3)	
	Cat. 1901-12-2	x	-	-	Needle (2)	
	Cat. 1901-14-2	-	x	-	Needle (3)	
	Cat. 1901-14-2	-	x	-	Needle with Supplementary Shoulder (2)	
	Cat. 1901-12-2	-	-	x	Needle (5)	

ACCESSORIES  
107 G 201, 107 G 203

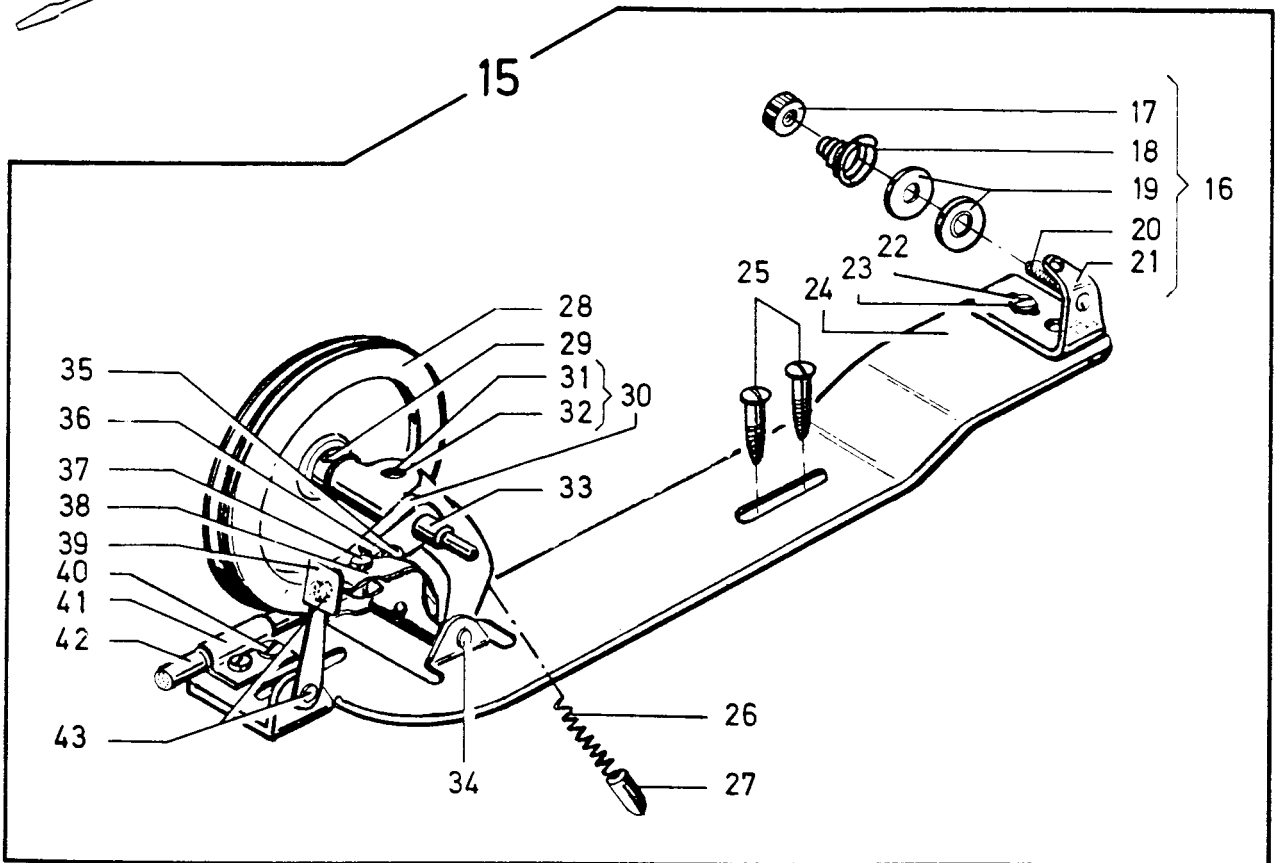
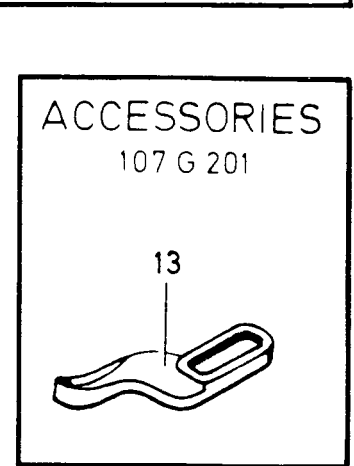
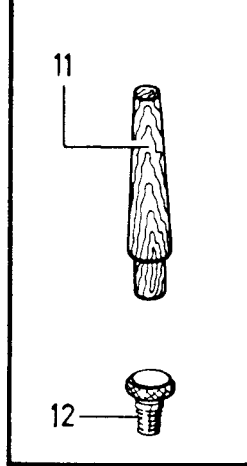
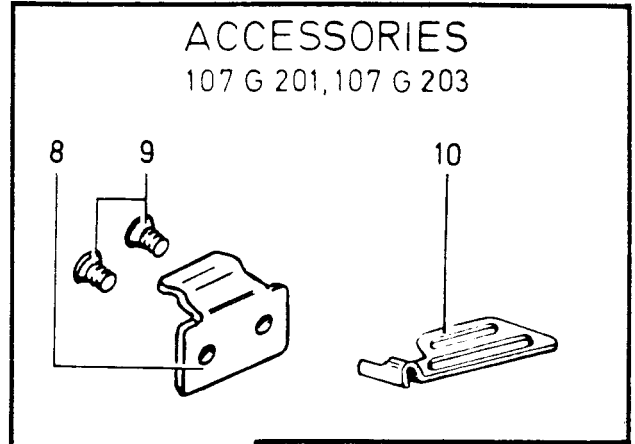
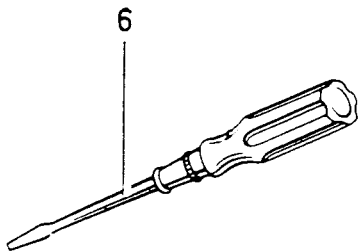
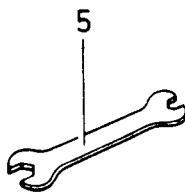
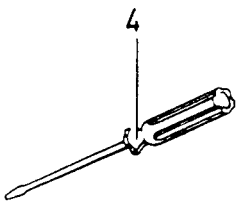
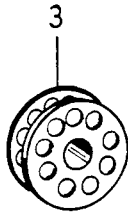




I11. For Class 107 G						
Ref. No.	Part No.	201	203	253	Name	Components
1	120342	x	x	x	Oiler (Copper Plated) with	120343
2	120343	x	x	x	Oiler Spout (3-1/2 Inch)	
3	263099	x	x	x	Bobbin (2)	
4	228476	x	x	x	Screwdriver (Bobbin Case)	
5	225554	x	x	x	Wrench (Steel)	
	225498	x	x	x	Screwdriver (7-1/4 Inch)	
7	200157-850	x	x	x	Attachment Screw	
8	210844	x	x	-	Bed Hinge Connection (2)	
9	200060-850	x	x	-	Bed Hinge Connection Screw (4)	
10	231327	x	x	-	Cloth Guide	
11	41100	x	x	-	Machine Rest Pin (Wood)	
12	200459-850	x	x	-	Guide Thumb Screw	
13	226999	x	-	-	Guide (For Shoe Work)	
14	259462	x	x	x	Universal Bobbin Winder Cpl.	200056, 200082, 200113, 200299, 202478, 225381, 225444, 225453 to 225456, 225458, 225462, 228026, 259428, 259429, 259662, 259930 Two each 225459 and Wood Screw
15	225462	x	x	x	Bobbin Winder Tension Bracket	13710, 201572, 225461, Two 2102
17	201572-819	x	x	x	Bobbin Winder Tension Stud Thumb Nut	
18	13710	x	x	x	Bobbin Winder Tension Spring	
19	2102	x	x	x	Bobbin Winder Tension Disc (2)	
20	201499-819	x	x	x	Bobbin Winder Tension Stud	
21	225461	x	x	x	Bobbin Winder Tension Bracket with	201499
22	200062-804	x	x	x	Bobbin Winder Tension Bracket Screw	
23	228026	x	x	x	Bobbin Winder Tension Bracket Screw Washer	
24	259562	x	x	x	Bobbin Winder and Tension Bracket Base	
25	-----	x	x	x	Bobbin Winder Wood Screw (3/4 Inch No. 12, RHB) (2)	
26	225456	x	x	x	Bobbin Winder Frame Spring Plunger	
27	225455	x	x	x	Bobbin Winder Frame Spring	
28	259930	x	x	x	Bobbin Winder Pulley with	624
29	624-833	x	x	x	Bobbin Winder Pulley Set Screw	
30	225453	x	x	x	Bobbin Winder Frame with	244071, 259660
31	244071	x	x	x	Bobbin Winder Frame Oil Packing (Wick)	
32	259560	x	x	x	Bobbin Winder Frame Oil Well Washer	
33	225381	x	x	x	Bobbin Winder Spindle	
34	225454	x	x	x	Bobbin Winder Frame Hinge Pin	
35	200059-819	x	x	x	Bobbin Winder Stop Latch Trip Lever Hinge Screw	
36	202478	x	x	x	Bobbin Winder Stop Latch Trip Lever	
37	200056-803	x	x	x	Bobbin Winder Stop Latch Screw	
38	225444	x	x	x	Bobbin Winder Stop Latch	
39	225458	x	x	x	Bobbin Winder Stop Latch Thumb Screw	
40	200113-850	x	x	x	Bobbin Winder Brake Clamp Screw	
41	259429	x	x	x	Bobbin Winder Brake Clamp	
42	259429	x	x	x	Bobbin Winder Brake (Leather)	
43	225459	x	x	x	Bobbin Winder Stop Latch Thumb Lever Hinge Stud (2)	

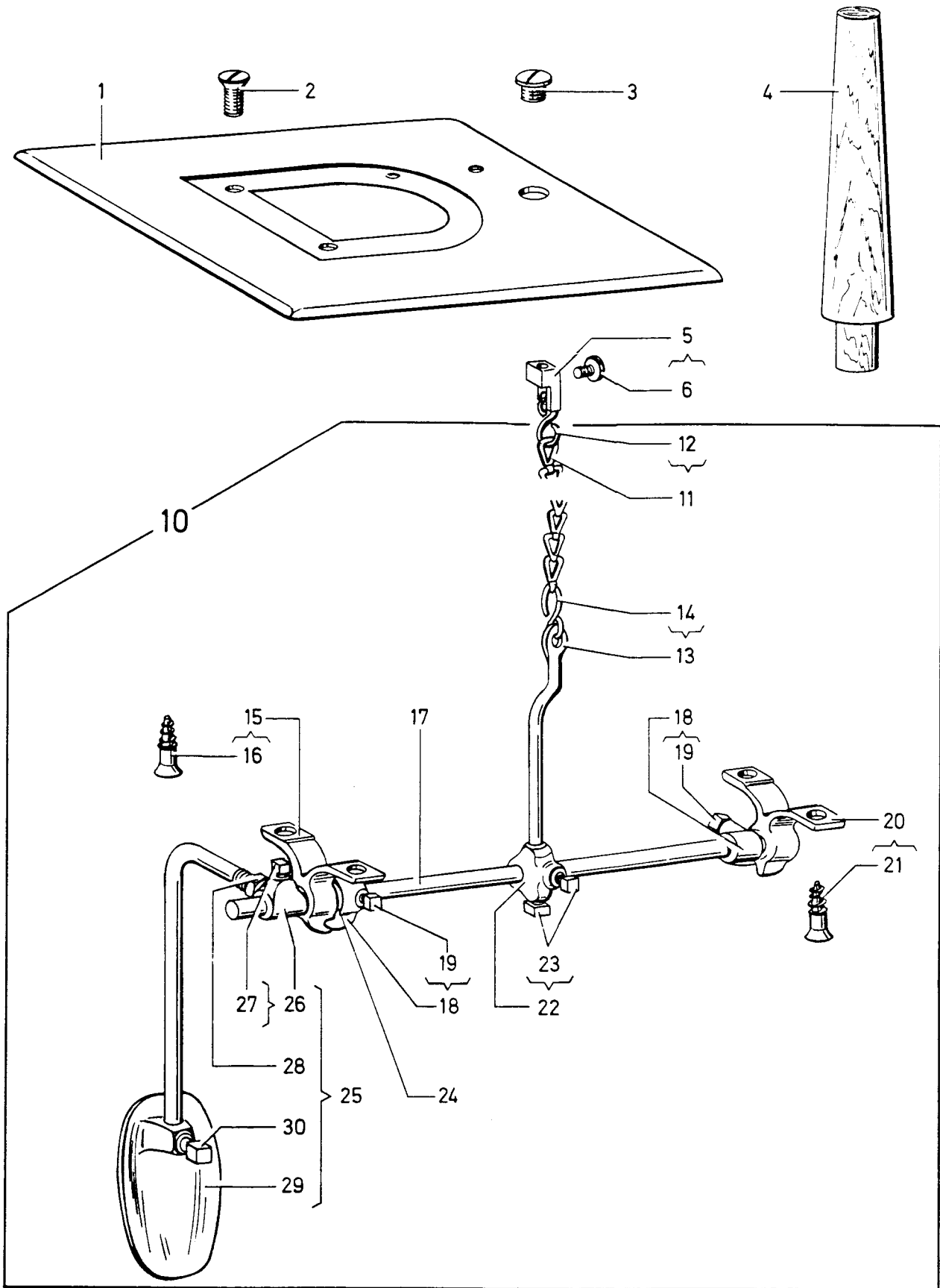


ACCESSORIES  
107 G 201, 107 G 203  
and 107 G 253



Ill. Ref.		For Class 107 G			Name	Components
No.	Part No.	201	203	253		
1	242017	-	-	x	Work Plate	
2	200577-833	-	-	x	Work Plate Screw (Front) (2)	
3	201011-819	-	-	x	Work Plate Screw (Back)	
4	41401	-	-	x	Machine Rest Pin (Wood)	
5	203058	-	-	x	Knee Lifter Lifting Lever Rod Coupling with	200530
6	200530-803	-	-	x	Knee Lifter Lifting Lever Rod Coupling Set Screw	
10	228251	-	-	x	Knee Lifter Rock Shaft Cpl.	2763, 6337, 12242, 21327, 39811, 227676, 228255, 228563, Two 2770
11	227676	-	-	x	Knee Lifter Rock Shaft Lifting Chain, 18 in. long with	202784
12	202784	-	-	x	Knee Lifter Rock Shaft Lifting Chain Hook (Upper)	
13	39811	-	-	x	Knee Lifter Rock Shaft Lifting Bracket Extension with	39576
14	39576	-	-	x	Knee Lifter Rock Shaft Lifting Chain Hook (Lower)	
15	12242	-	-	x	Knee Lifter Rock Shaft Hanger (Back) with	Two 1 inch No. 10
16	-----	-	-	x	Wood Screw 1 inch No. 10 (2)	
17	2763	-	-	x	Knee Lifter Rock Shaft	
18	2770	-	-	x	Knee Lifter Rock Shaft Stop Dog with	140219
19	140219-803	-	-	x	Knee Lifter Rock Shaft Stop Dog Set Screw	
20	21327	-	-	x	Knee Lifter Rock Shaft Hanger (Front) with	Two 1 inch No. 10
21	-----	-	-	x	Wood Screw 1 inch No. 10 (2)	
22	6337	-	-	x	Knee Lifter Rock Shaft Lifting Bracket with	Two 356
23	356-803	-	-	x	Knee Lifter Rock Shaft Lifting Bracket Set Screw (2)	
24	228255	-	-	x	Knee Lifter Rock Shaft Knee Plate Counterbalance Spring	
25	228563	-	-	x	Knee Lifter Rock Shaft Knee Arm Cpl.	1507, 2766, 2767, 228562
26	2766	-	-	x	Knee Lifter Rock Shaft Knee Arm Hub with	356
27	356-803	-	-	x	Knee Lifter Rock Shaft Knee Arm Hub Set Screw	
28	1507-813	-	-	x	Knee Lifter Rock Shaft Knee Arm Lock Nut	
29	2767	-	-	x	Knee Lifter Rock Shaft Knee Plate with	356
30	356-803	-	-	x	Knee Lifter Rock Shaft Knee Plate Set Screw	

ACCESSORIES  
FOR  
107 G 253



## NUMERICAL LIST OF PARTS

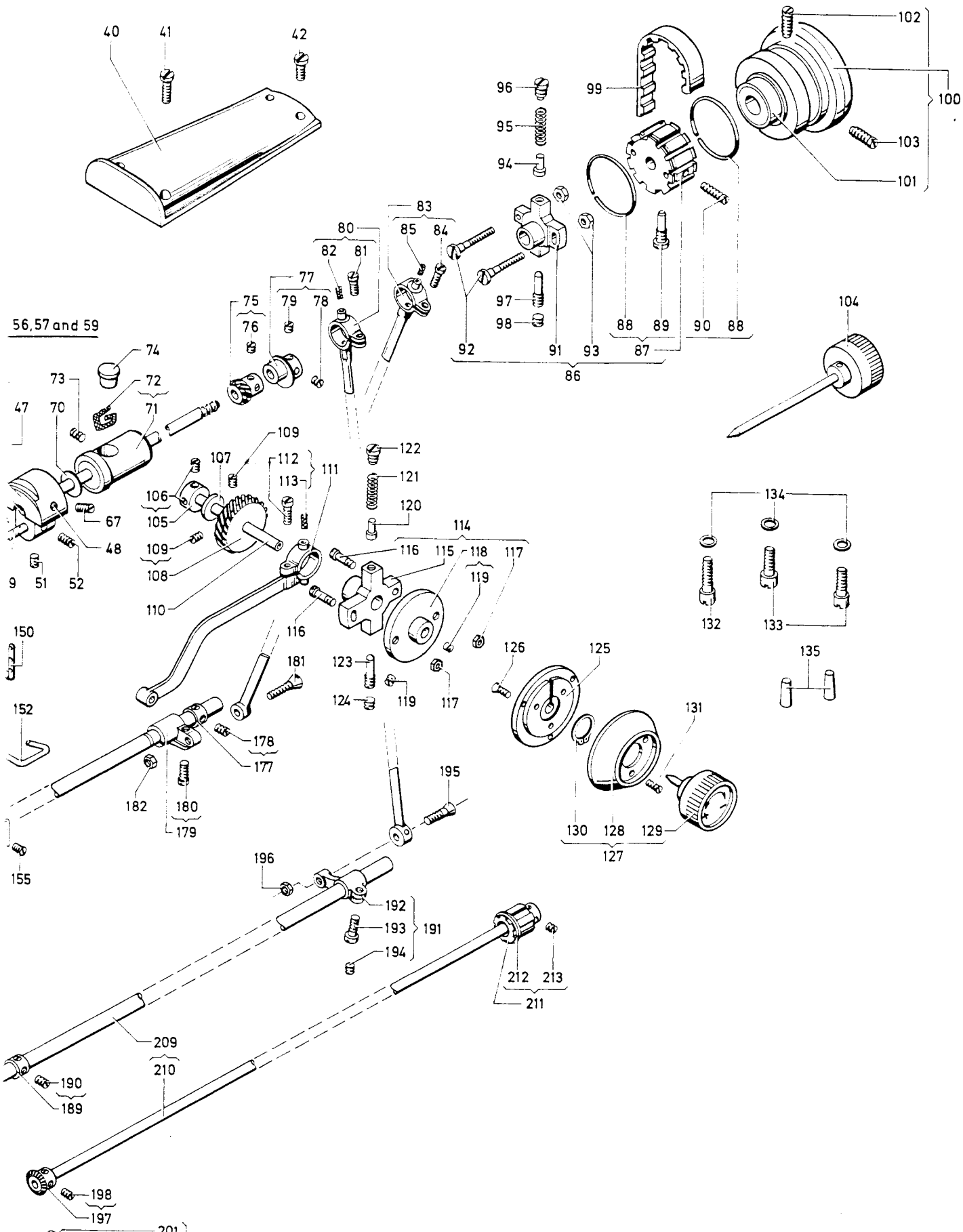
Part No.	Page No.	Part No.	Page No.	Part No.	Page No.
160	12	200076	14	200437	10
164	12	200082	24	200459	24
238	2	200086	12	200492	12
356	26	200106	2	200530	22, 26
624	24	200113	22, 24	200545	6, 10
1186	12	200125	2	200566	8, 16
1507	26	200126	18	200577	2, 26
Cat.		200132	4, 12	200582	14, 20
1901-10-2	22	200145	14	200592	14
Cat.		200157	24	200596	14
1901-12-2	2	200172	2	200602	10
Cat.		200175	2, 18	200607	8, 10
1901-14-2	2	200177	20	200641	2, 18
2102	24	200205	18	200653	12
2763	26	200242	20	200915	6
2766	26	200253	6	200917	16
2767	26	200256	8	200919	16
2770	26	200260	12	200931	18
6337	26	200262	12, 20	200964	14
12242	26	200270	22	201011	26
13710	24	200273	20	201014	10
21327	26	200294	20	201016	14
39576	26	200299	24	201110	20
39811	26	200326	16	201499	24
41400	24	200327	10	201518	10, 18
41401	26	200334	2	201522	2, 16,
50305	14	200335	4, 6		18
51220	14	200341	4	201525	8, 10
120342	24	200347	22	201531	6, 16
120343	24	200352	12	201556	16
140219	26	200363	6	201572	24
140321	14	200374	4	202090	12
141566	4	200378	6, 8, 16	202244	4
141567	4	200382	6, 8, 10,	202249	4
200035	6		16	202253	10
200038	2, 18	200383	2, 4, 6,	202276	6, 18
200050	6		8, 10, 16	202277	8, 16
200054	8, 10	200387	4	202297	10
200056	24	200388	4	202299	4
200060	24	200397	20	202300	8, 10
200070	2	200429	8, 10	202301	8, 10
200074	12	200432	4	202306	10

## NUMERICAL LIST OF PARTS

Part No.	Page No.	Part No.	Page No.	Part No.	Page No.
		210536	14	210781	16
202324	6	210541	14	210844	24
202333	4	210542	2	210846	14
202335	12	210543	4	210882	4
202337	12	210544	4	210883	4
202338	12	210546	2	210913	14
202343	12	210547	2	210914	14
202346	12	210550	8	210956	20
202378	16	210552	8	210957	20
202399	4	210556	8	210958	20
202400	4	210557	2	210992	20
202401	12	210559	8, 16	210993	20
202410	14	210569	12	223438	14
202412	14	210585	4	224317	2
202423	4	210589	6	224353	16
202478	24	210591	4	224387	2
202554	12	210593	14	224392	4
202595	8, 10	210600	2	224400	10
202618	20	210603	18	224411	22
202623	2, 18	210614	6	224412	22
202624	2, 18	210615	6	224413	22
202625	2, 6	210616	2	224432	14
202635	10	210620	12	224433	14
202661	6	210645	6	224440	14
202784	26	210699	8, 16	224441	14
202923	18	210700	10	224442	14
203029	12	210711	16	224443	14
203058	26	210712	16	225381	24
203098	10	210725	4	225444	24
203101	10	210734	14	225453	24
203172	4, 8, 16	210735	14	225454	24
203184	20	210736	14	225455	24
206608	12	210764	14	225456	24
207072	12	210767	16	225458	24
207080	4	210768	16	225459	24
210505	2	210769	16	225461	24
210512	2	210770	16	225462	24
210513	2	210772	16	225498	24
210514	6	210773	16	225554	24
210515	6	210774	16	226999	24
210518	2	210779	16	227676	16
210535	6	210780	16	228026	24

## NUMERICAL LIST OF PARTS

Part No.	Page No.	Part No.	Page No.	Part No.	Page No.
228212	22	244059	4	508170	8
228251	26	244071	4, 24	508171	8
228255	26	244084	6	508172	8
228363	22	249270	2	508173	8
228364	22	259428	24	508174	8
228365	22	259429	24	508179	14
228367	22	259462	24	508180	14
228370	22	259660	24	508182	12
228386	22	259662	24	508183	6
228388	22	259930	24	508188	16
228455	22	263099	14, 24	508189	16
228476	24	263110	14	508194	20
228563	26	263547	14	508195	20
228707	22	263548	14	508196	20
228709	22	263550	14	508506	2
228710	22	263552	14		
228713	22	265683	18		
230795	18	266053	10		
231337	24	272142	4		
233390	20	350084	18		
240034	14	350231	22		
241336	6	350314	6		
241397	6	350613	14		
241398	6	500345	8		
242002	18	500350	4		
242003	20	500360	20		
242004	20	500795	14		
242005	18	502830	12		
242006	18	508150	4		
242008	18	508153	12		
242011	18	508154	12		
242012	18	508155	10		
242017	26	508157	12		
242018	18	508158	12		
242020	18	508159	12		
242022	18	508161	12		
242053	18	508163	2		
242054	18	508164	8		
242055	18	508166	14		
244033	12	508167	4		
244048	14	508168	4		
244049	14	508169	4		



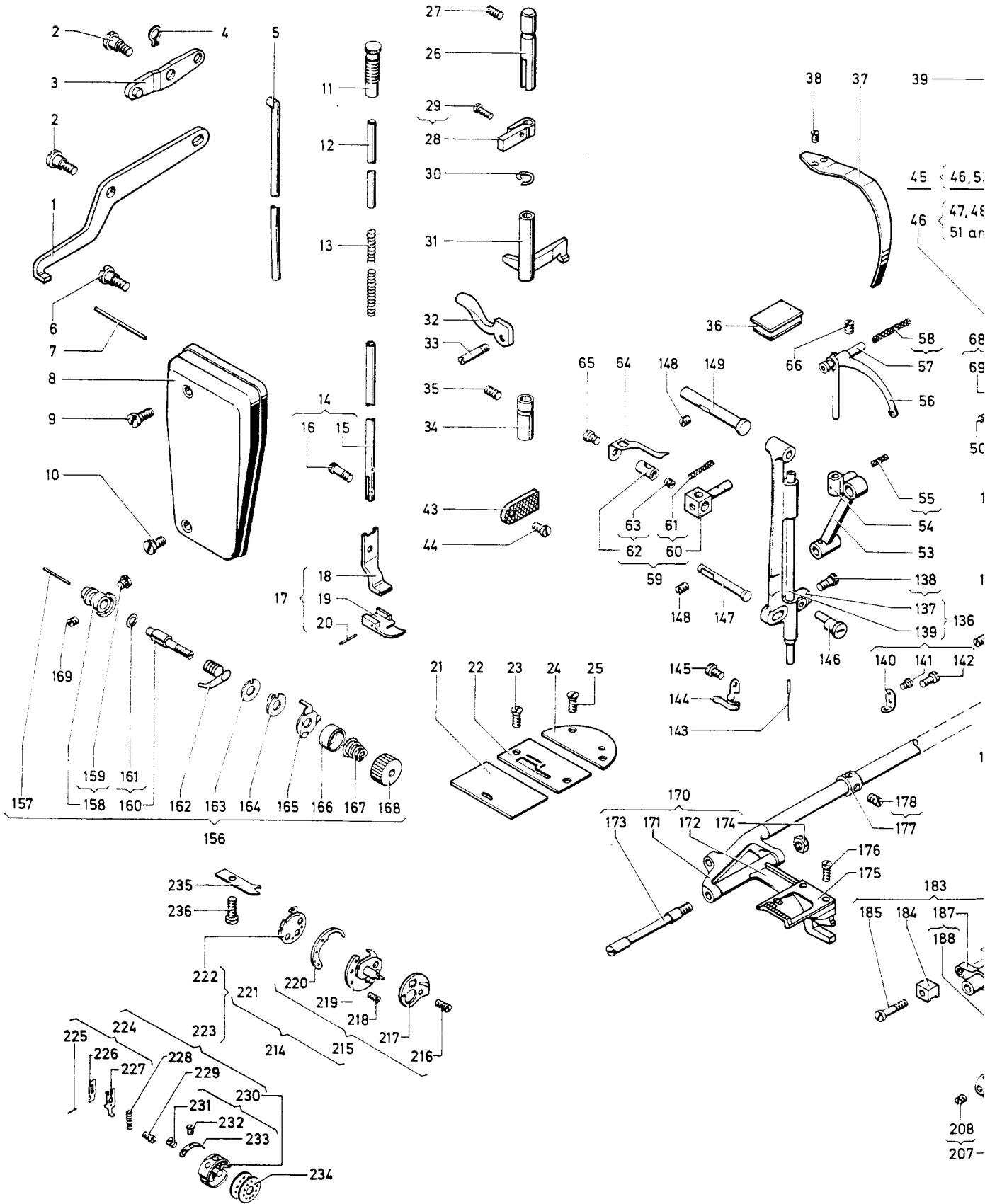
# SINGER 107 G 201

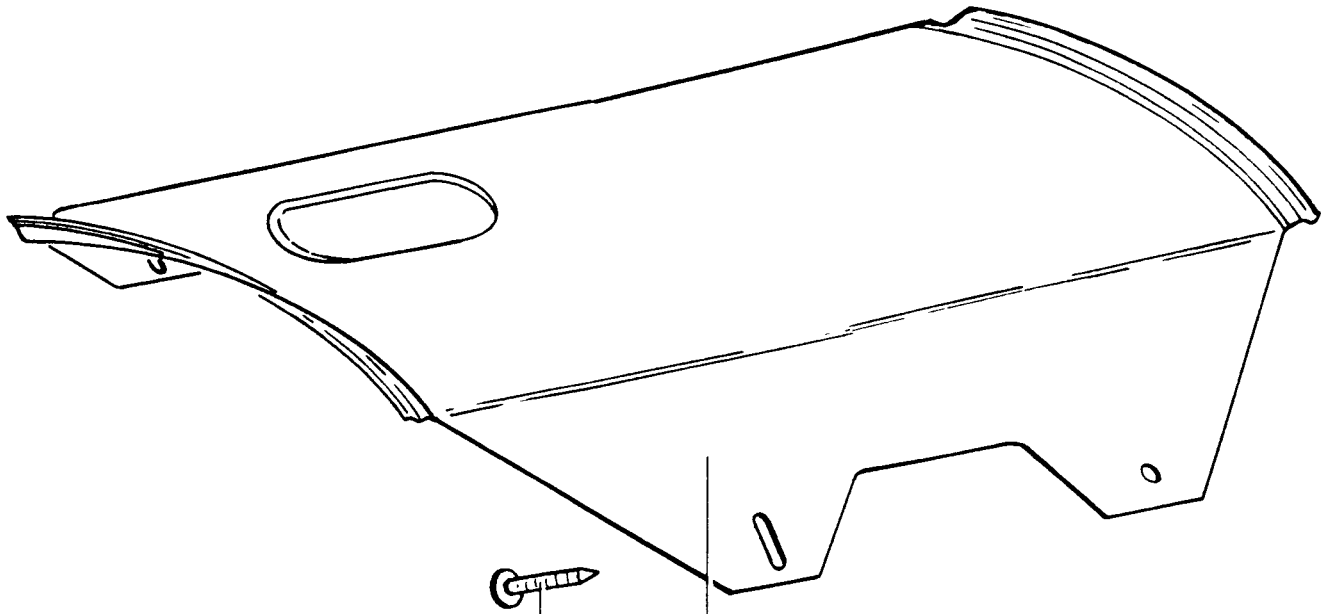




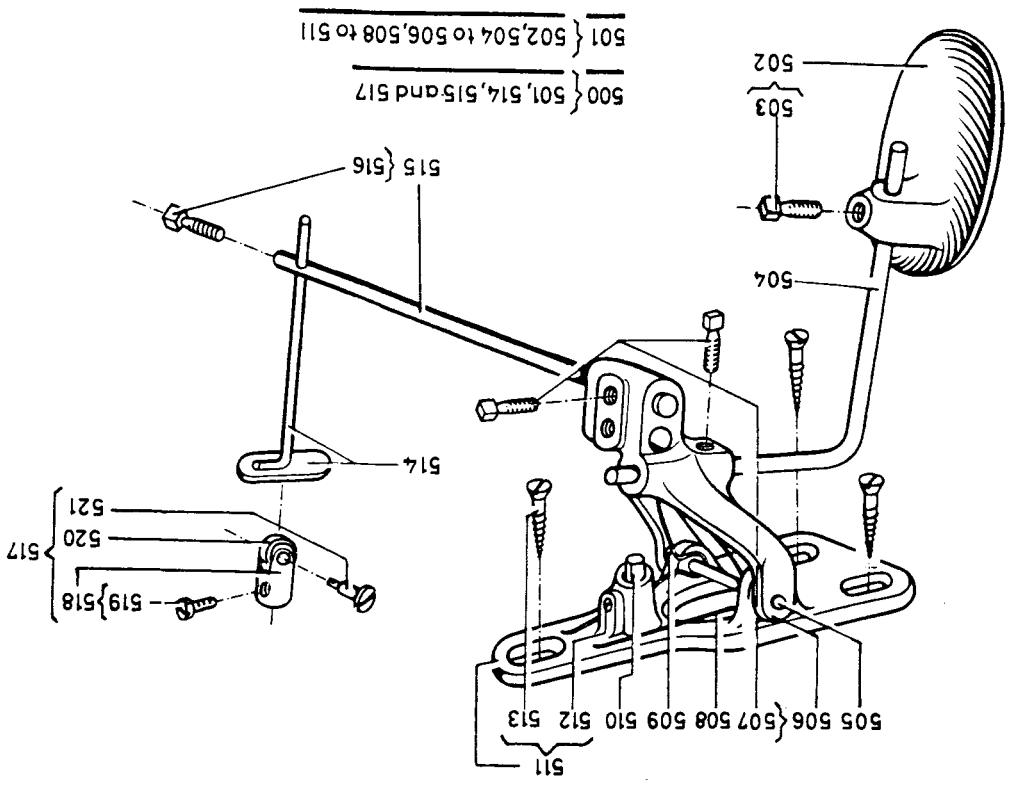
# ★ THE SINGER COMPANY

★ A Trademark of  
THE SINGER COMPANY



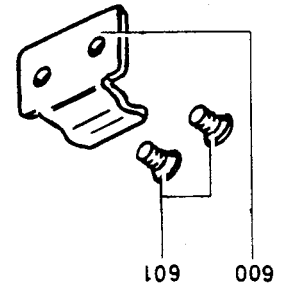
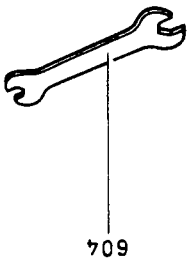
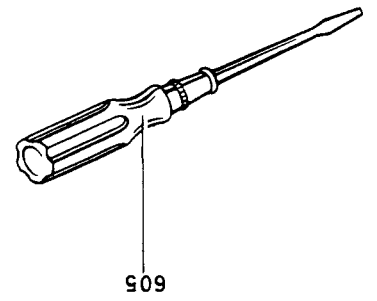
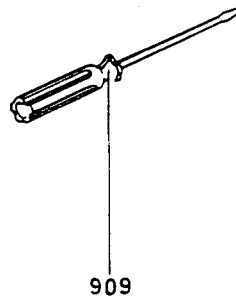
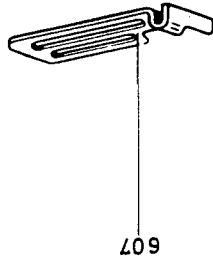
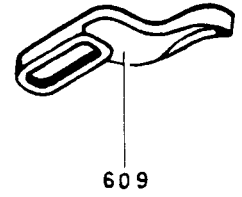
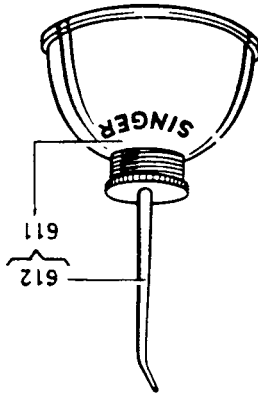
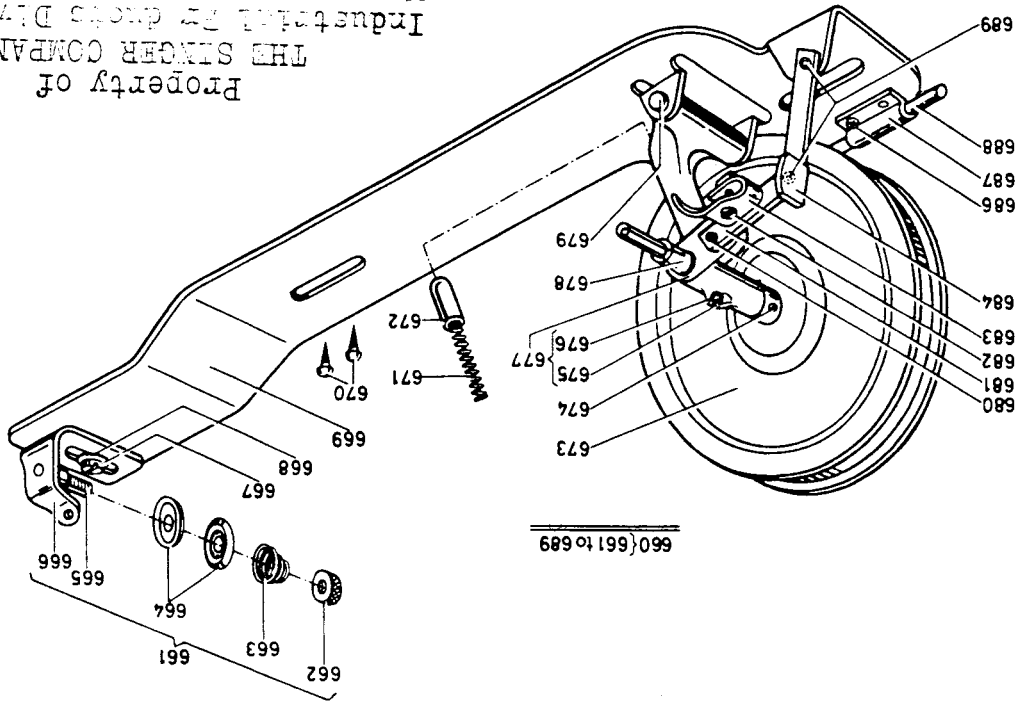


400 }  
401

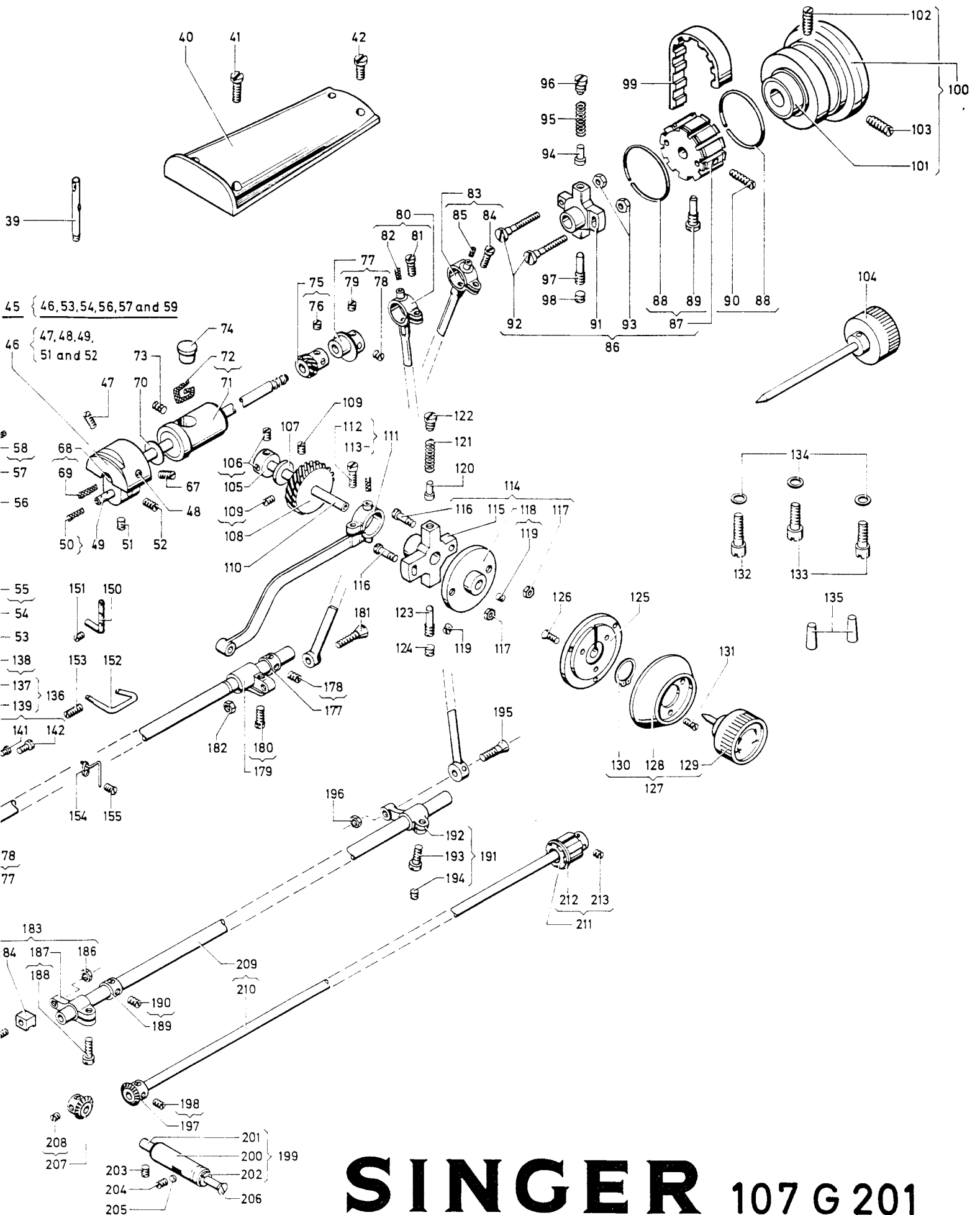


Accessories  
FOR  
107 G 201

Property of  
 THE SINGER COMPANY  
 Industrial Photo Division  
 Newark, N. J. (Patent Office)  
 5612

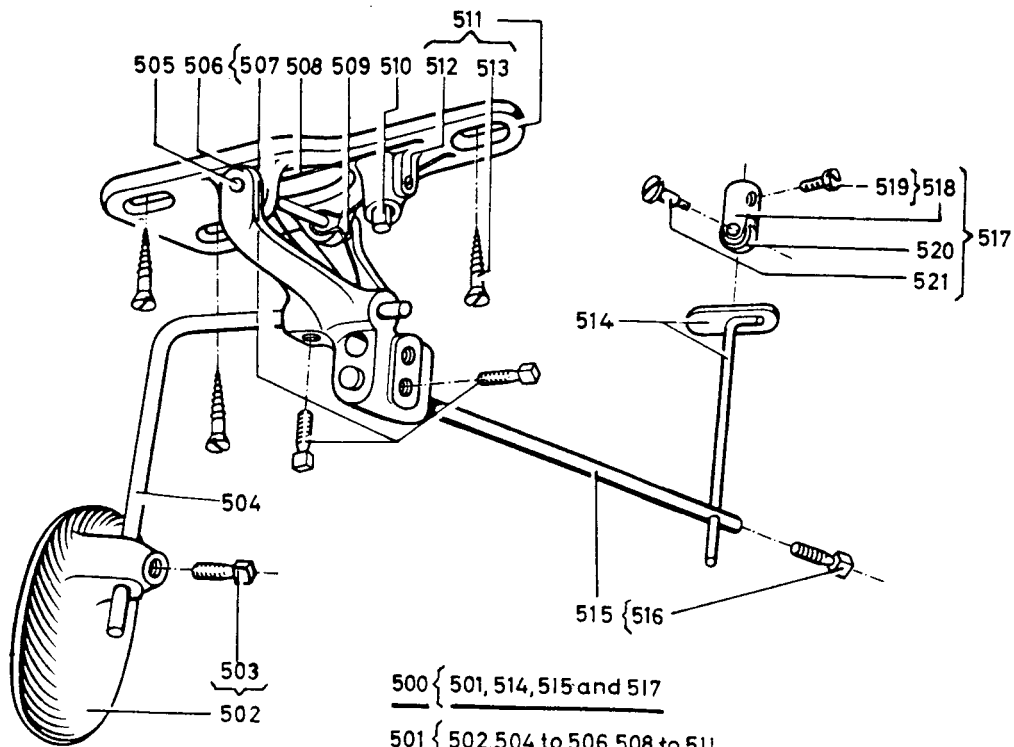
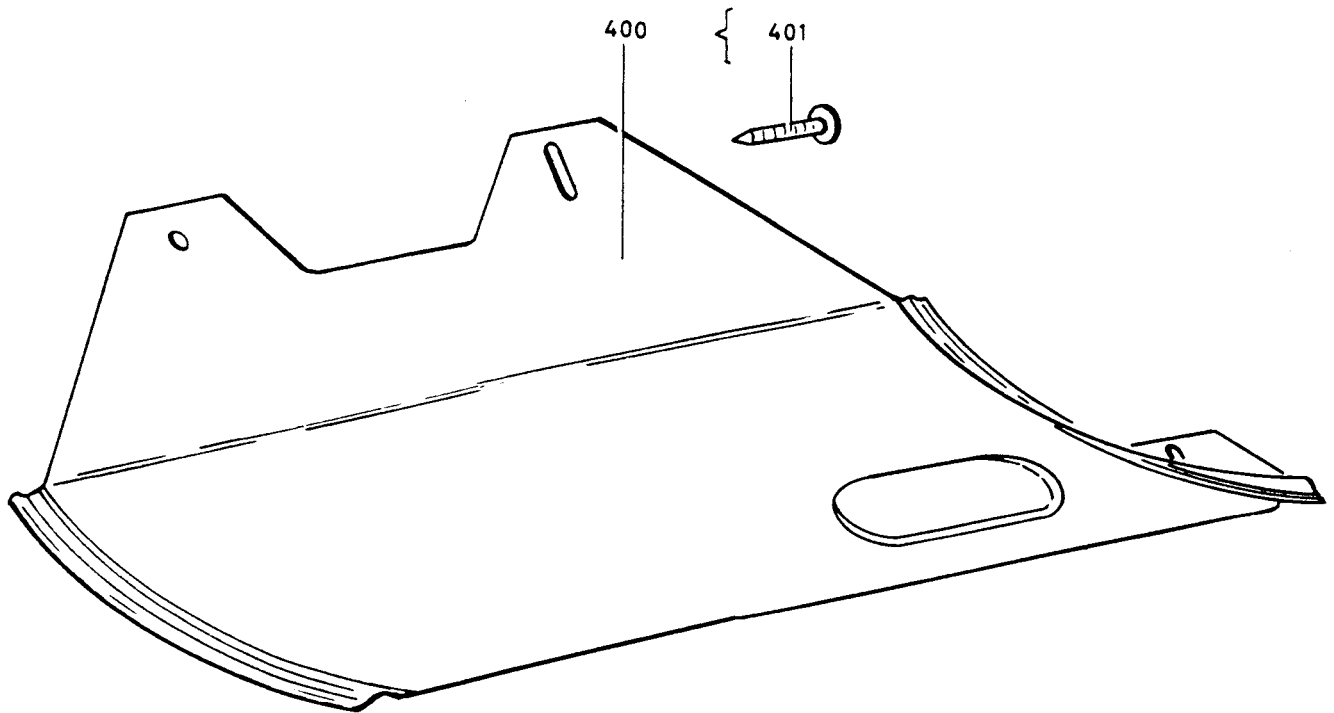


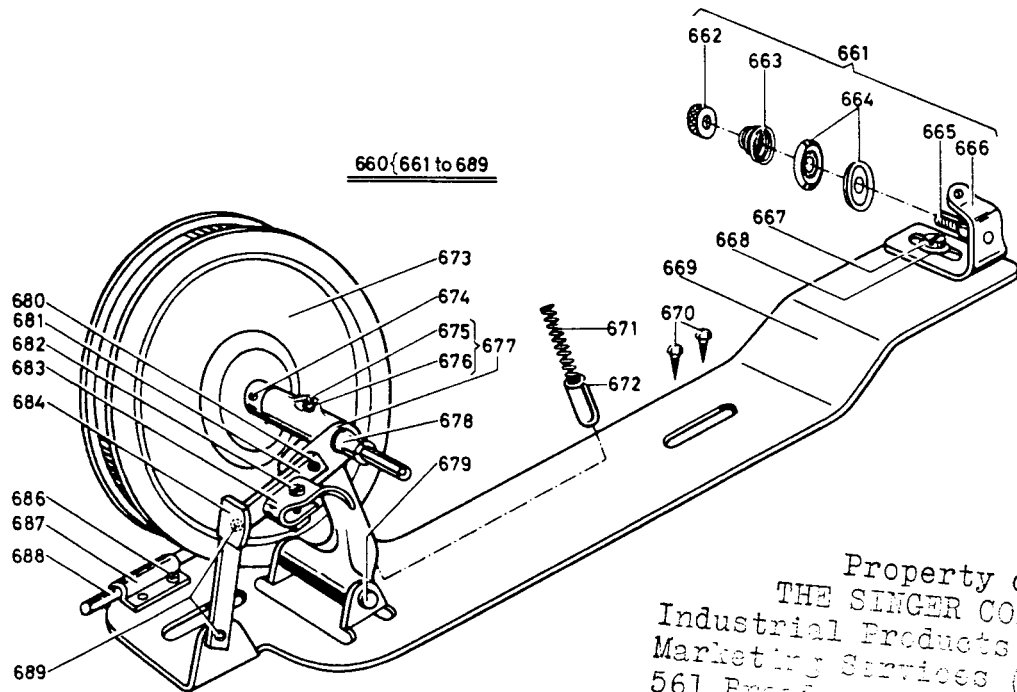
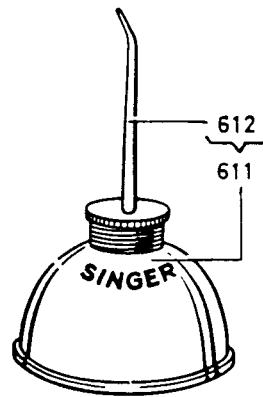
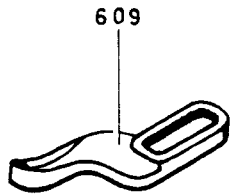
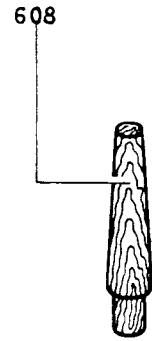
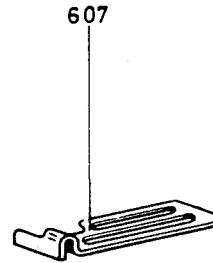
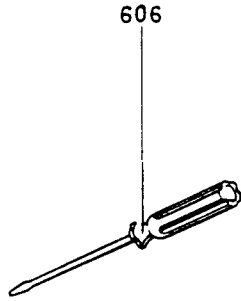
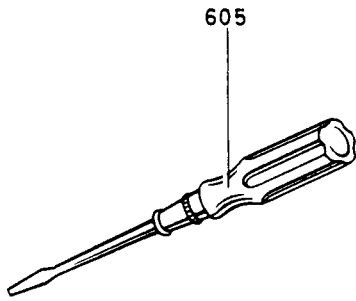
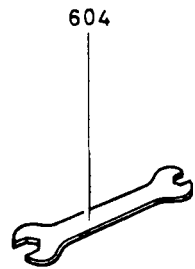
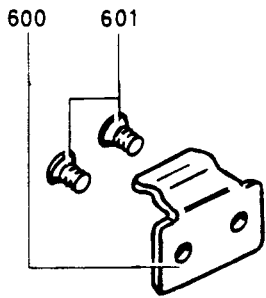




# SINGER 107 G 201

# Accessories FOR 107 G 201





Property of  
THE SINGER COMPANY  
Industrial Products Division  
Marketing Services (Advertising)  
561 Broadway, N. Y. C. 10012