

**SINGER**  
**99W124**

Form 2569w

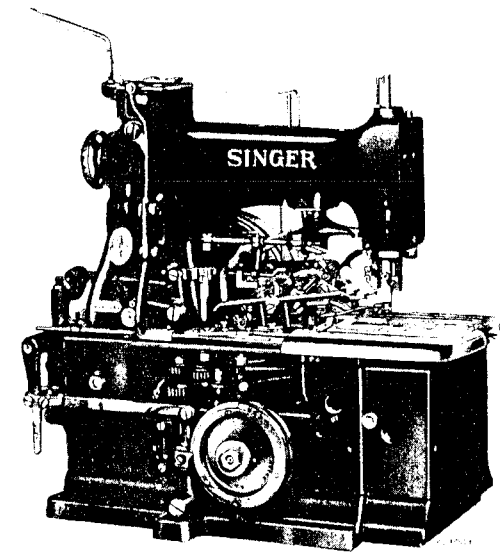
( 940 )

Printed in U. S. A.

*Lock Cabinet*

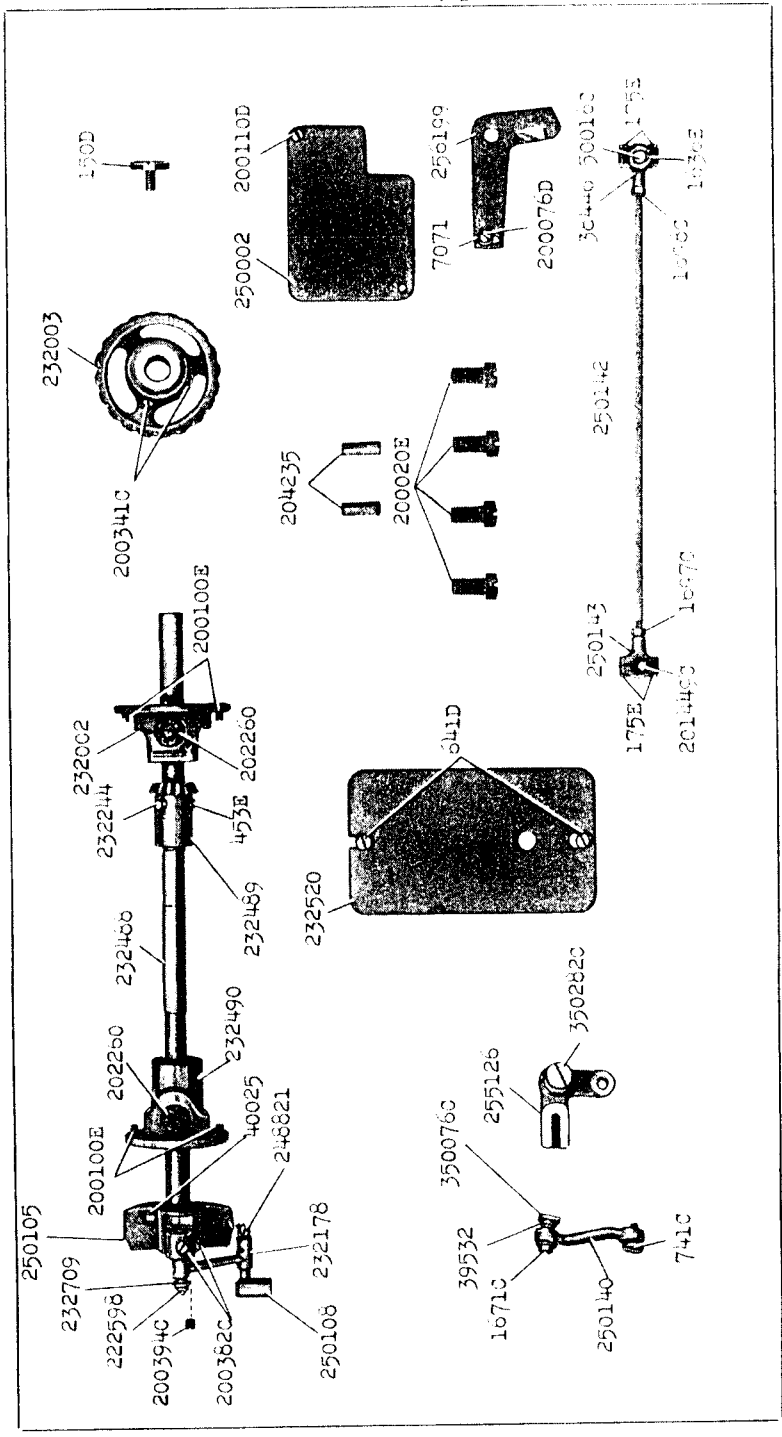
# SINGER

## 99w 124

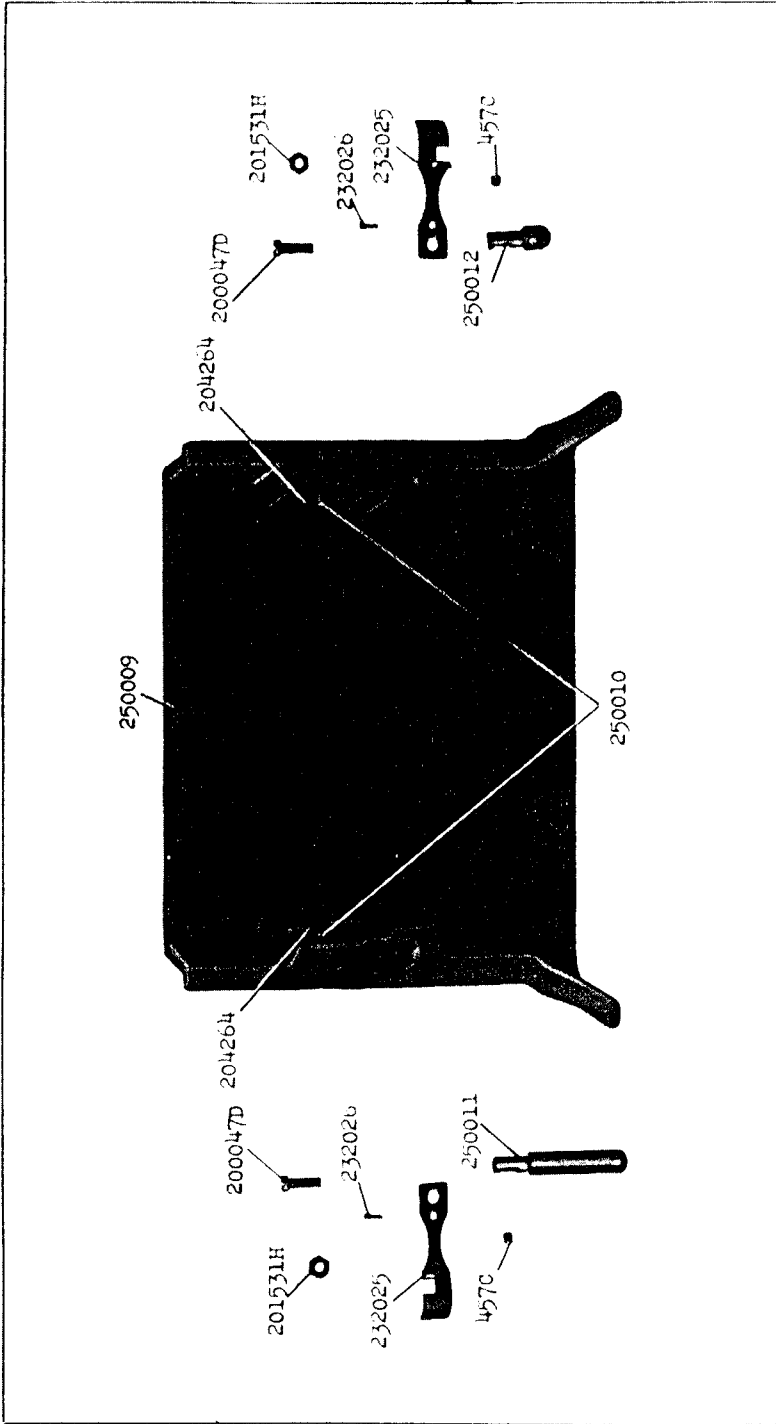


Copyright, U. S. A., 1938, 1939 and 1940  
by The Singer Manufacturing Co.  
All Rights Reserved for all Countries

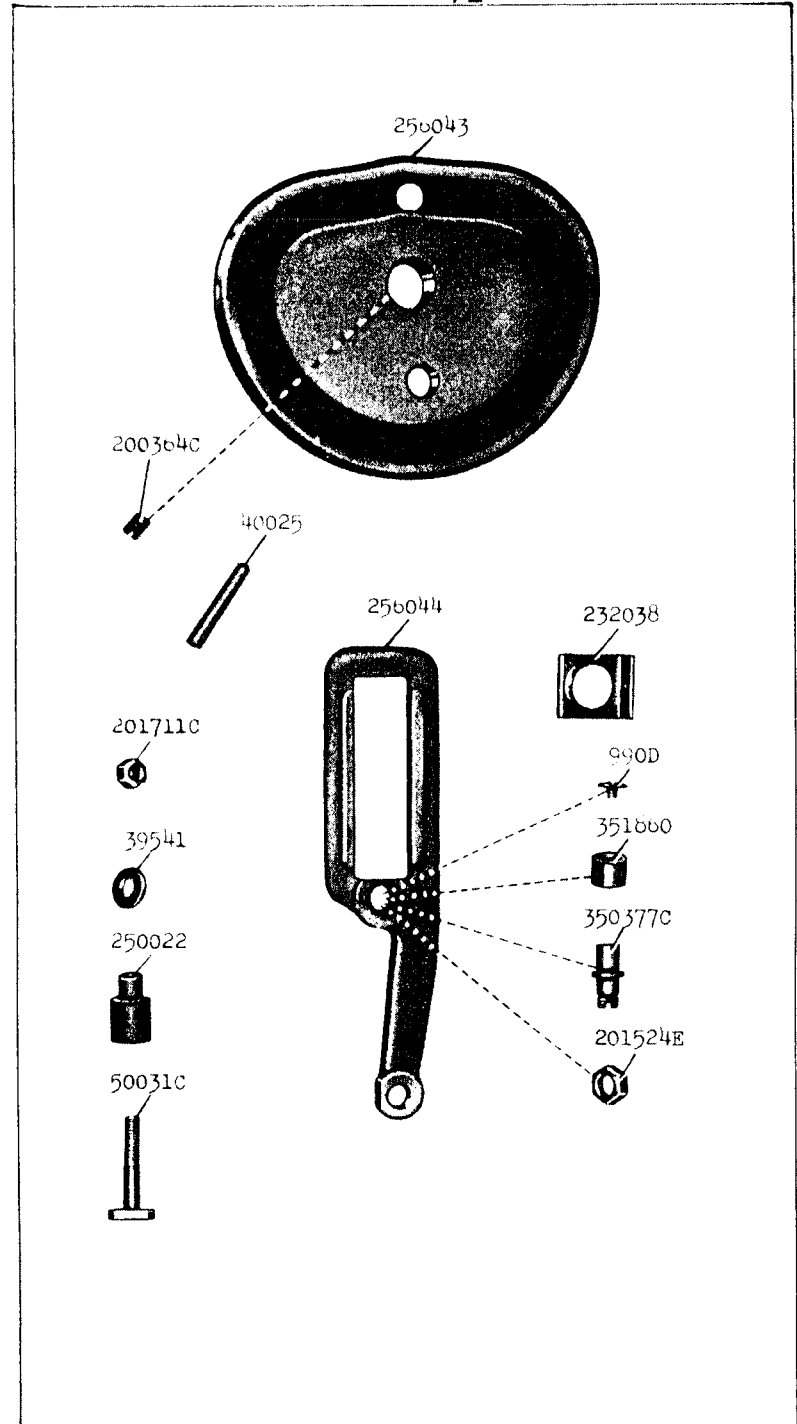
**THE SINGER MANUFACTURING COMPANY**



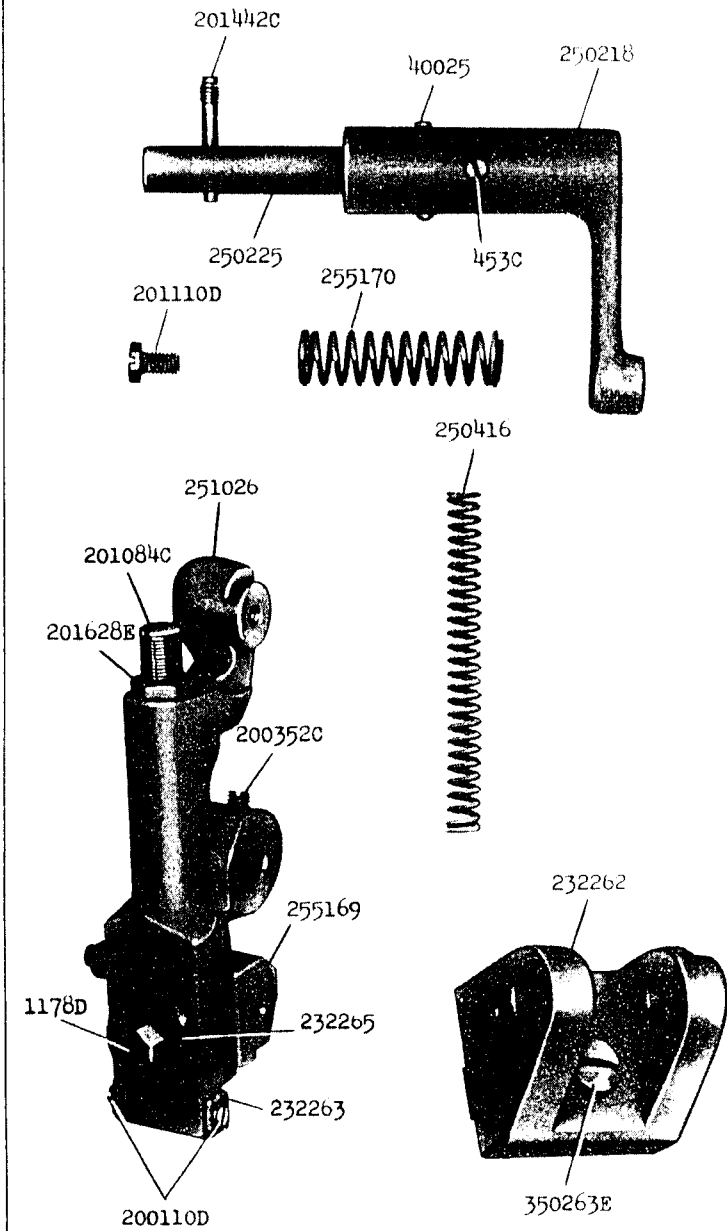
16350 - 1/3



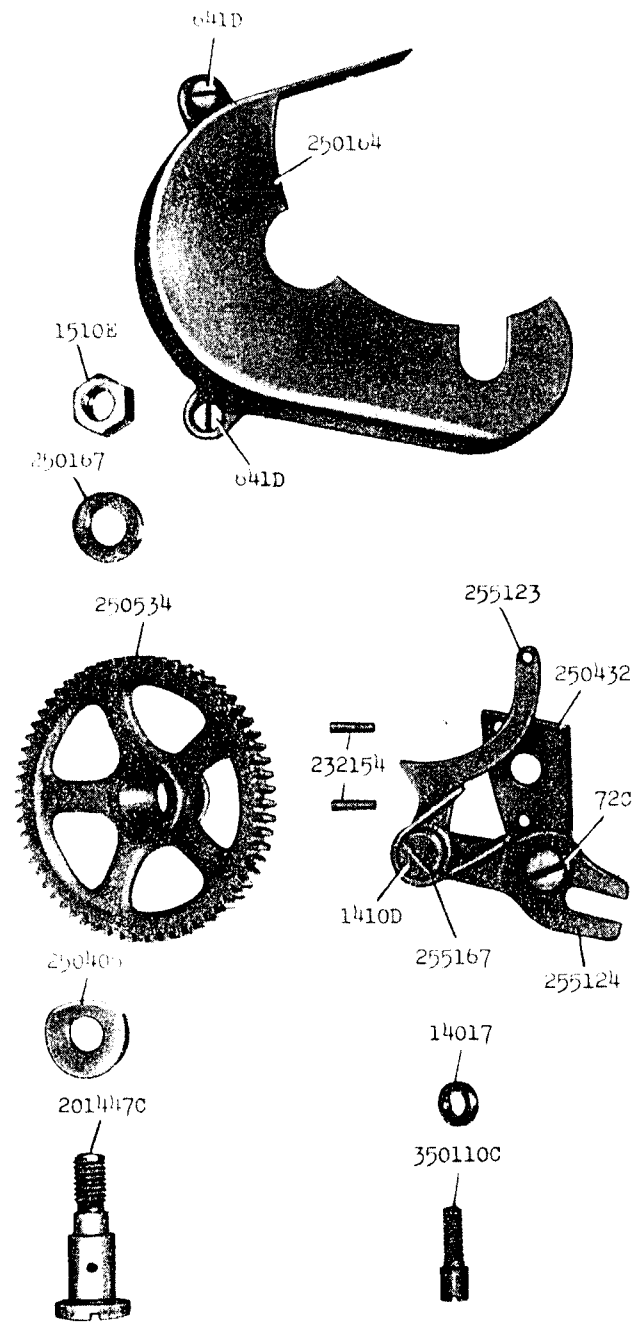
16356 - 1/2



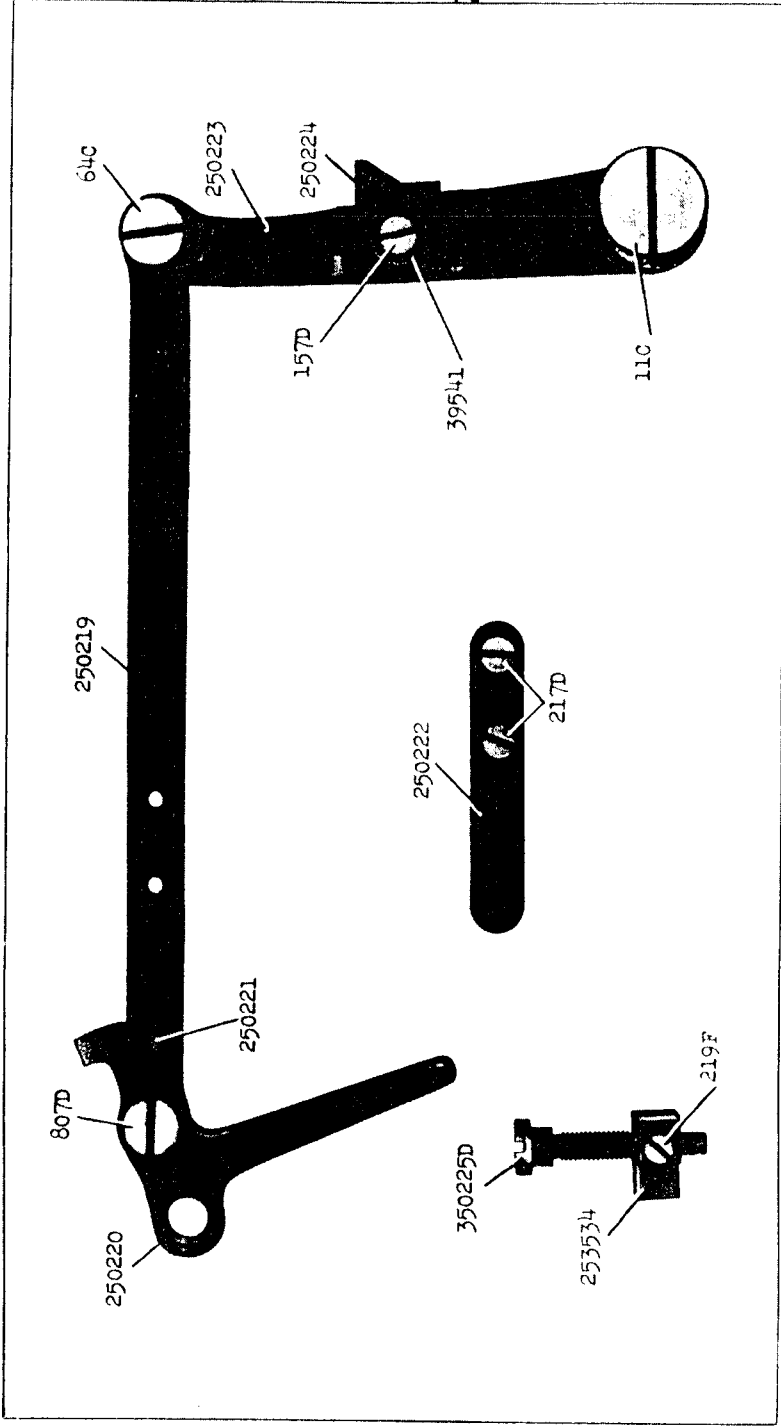
16363 - 1/2



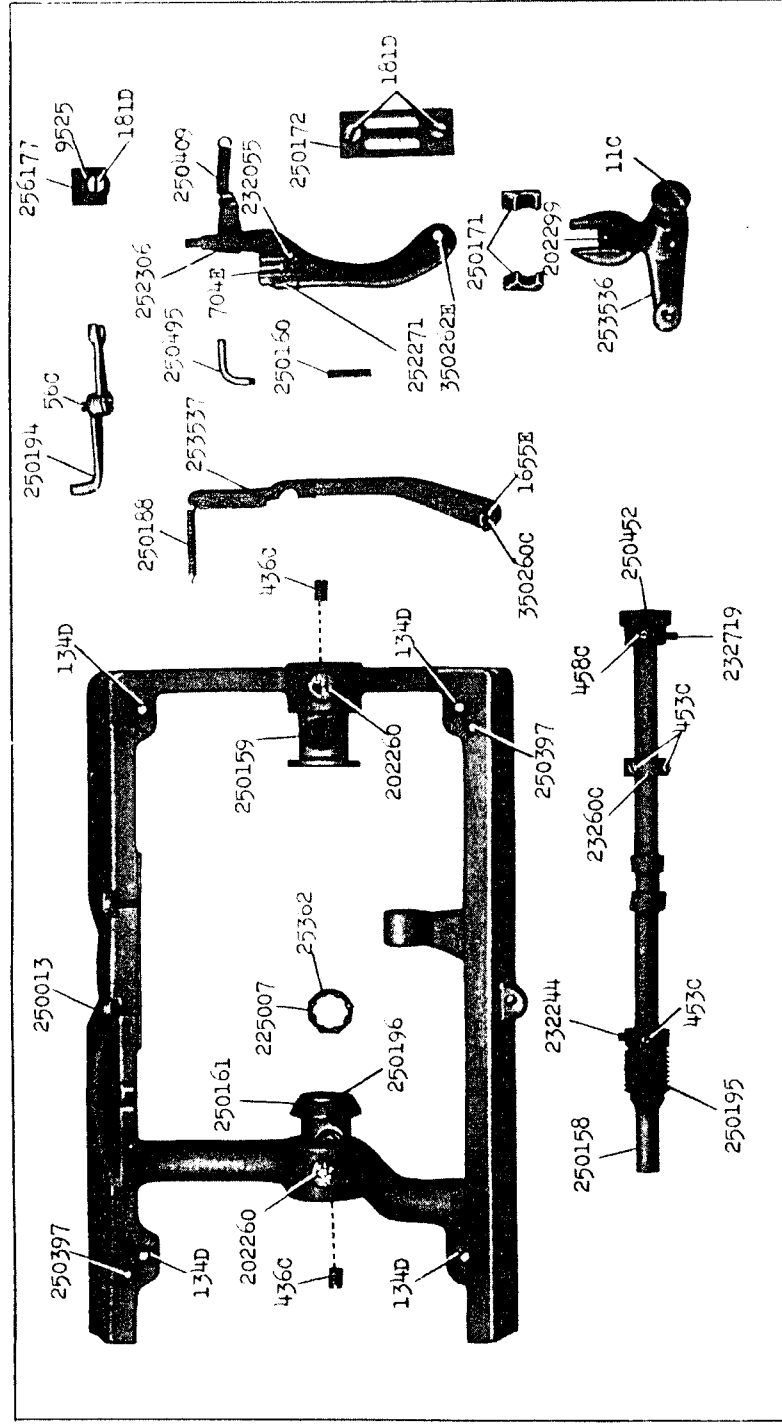
16364 - 1/2



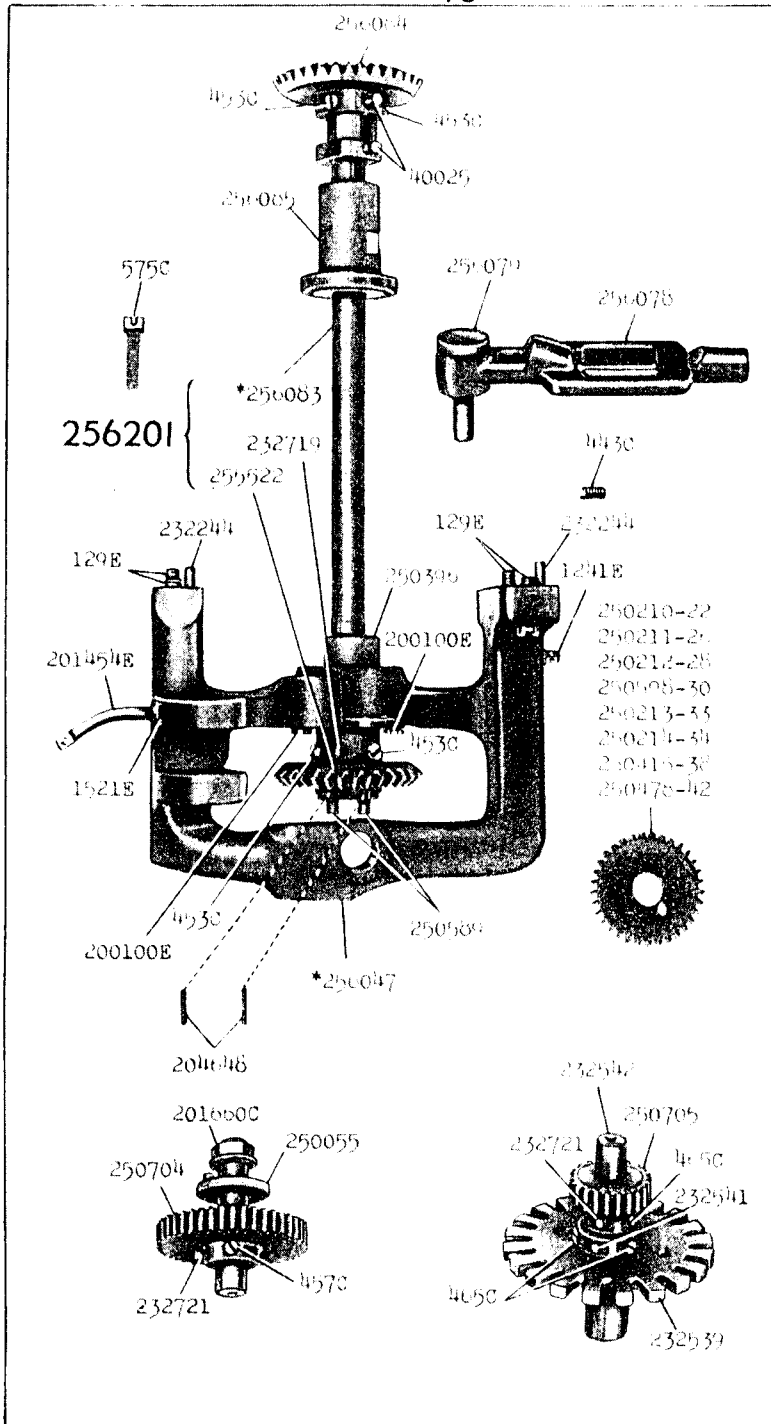
16365 - 2/3



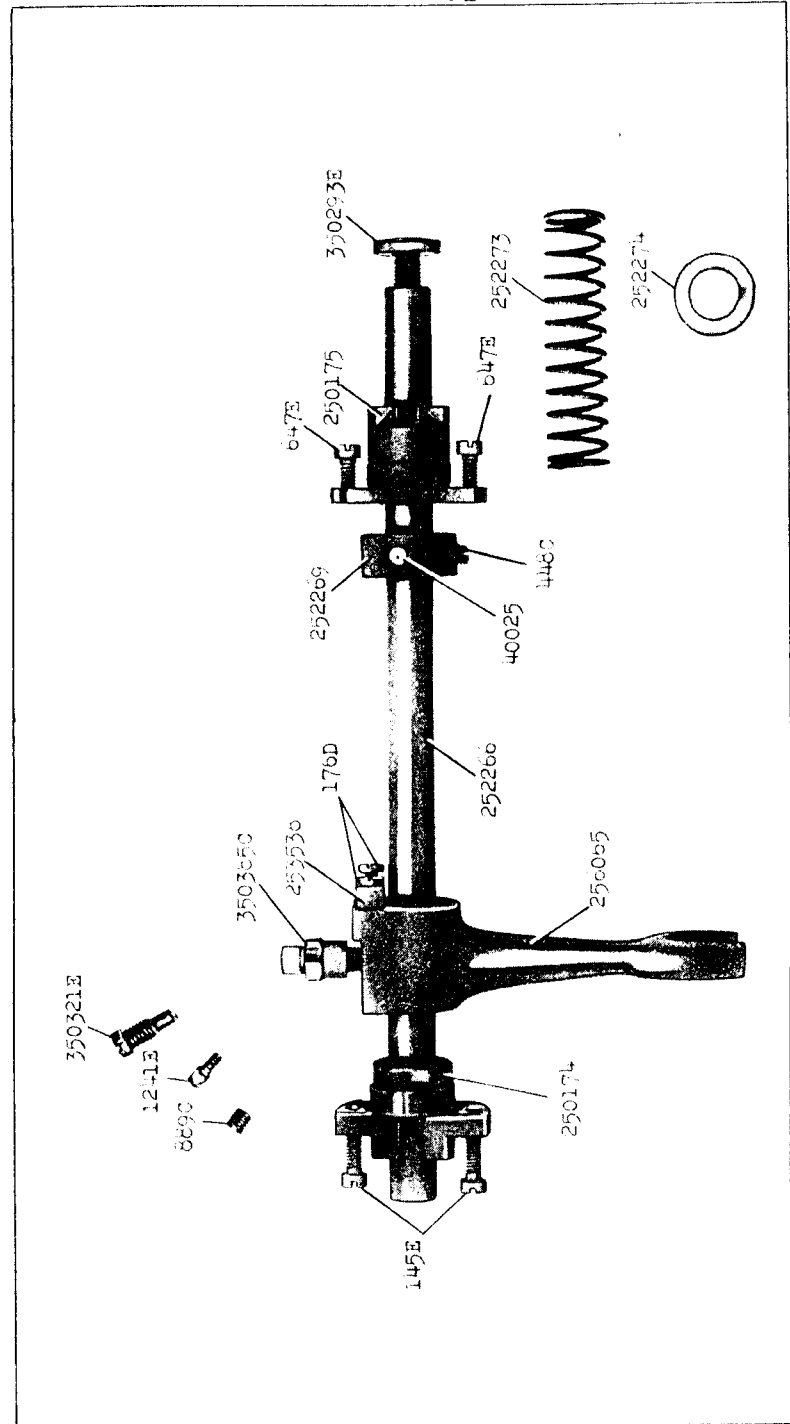
16367 - 1/4



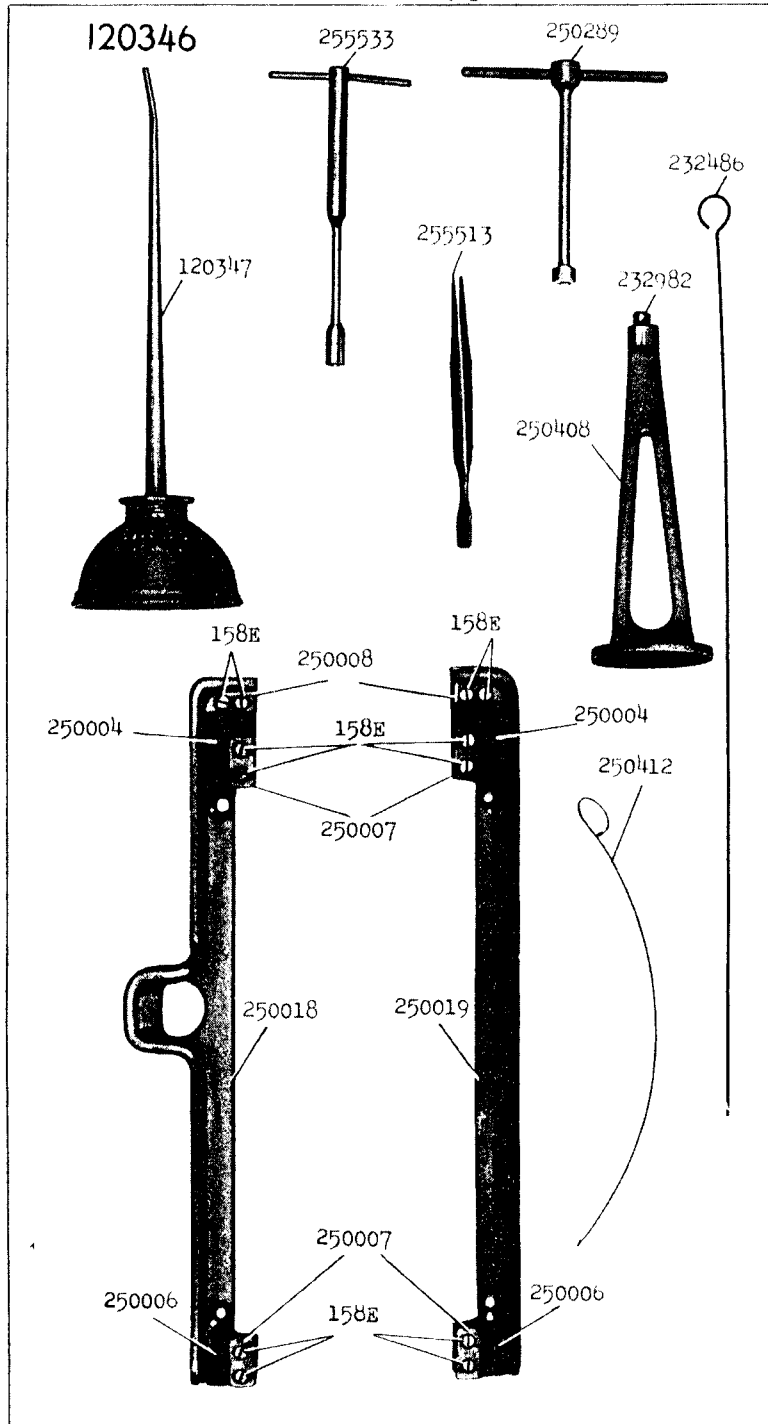
16368 - 3/8



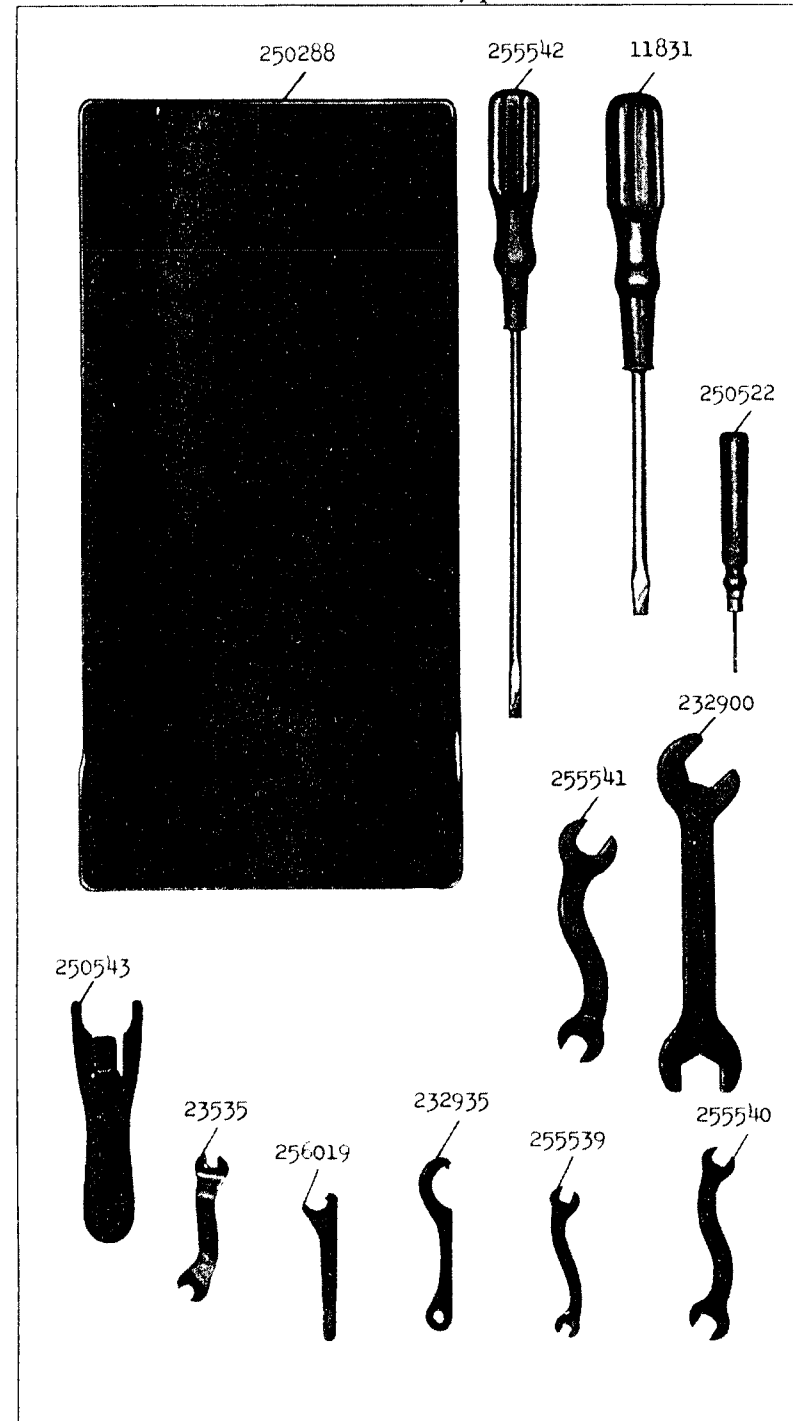
16372 - 1/2



16382 - 1/4



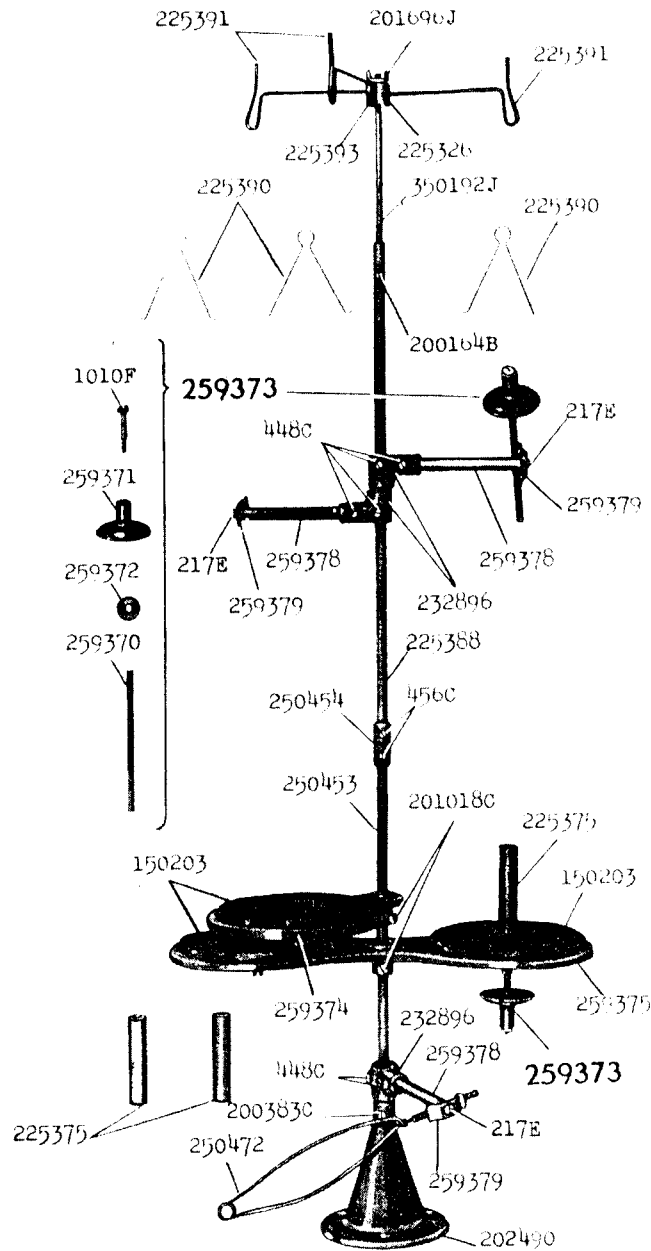
16383 - 1/4





16385 - 1/6

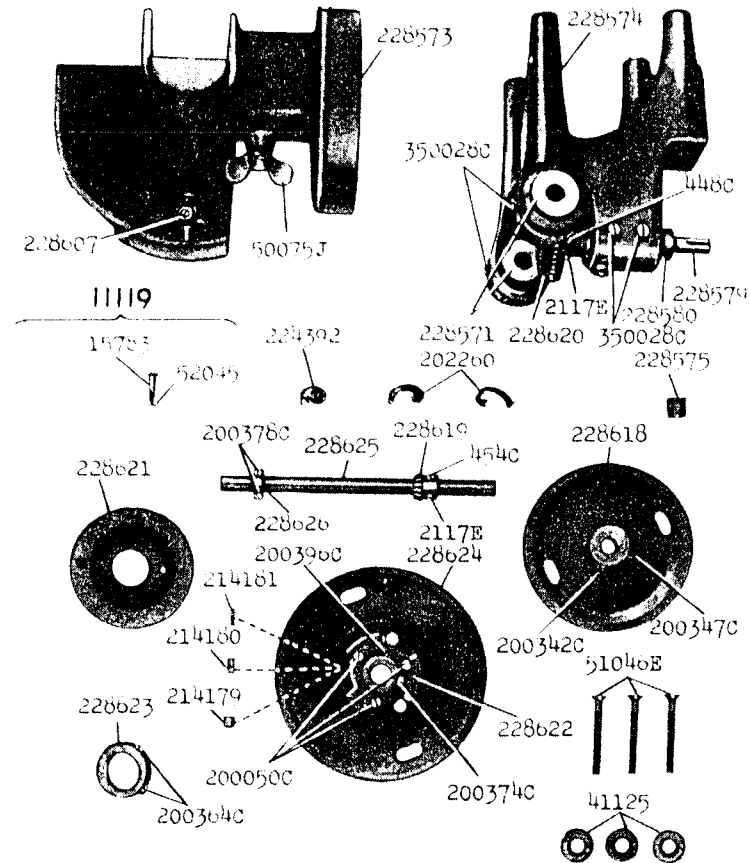
225376



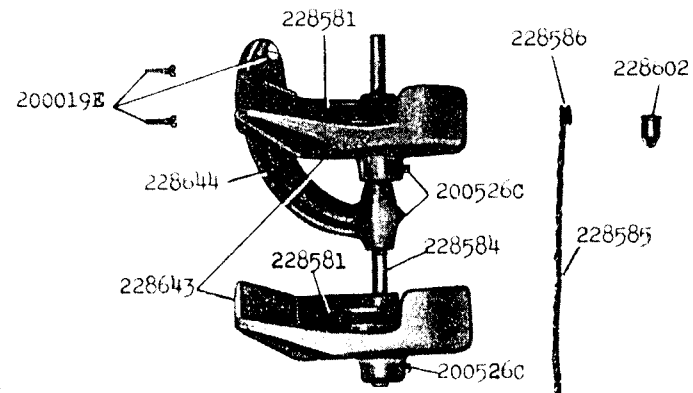
16386 - 1/6

228578

228627

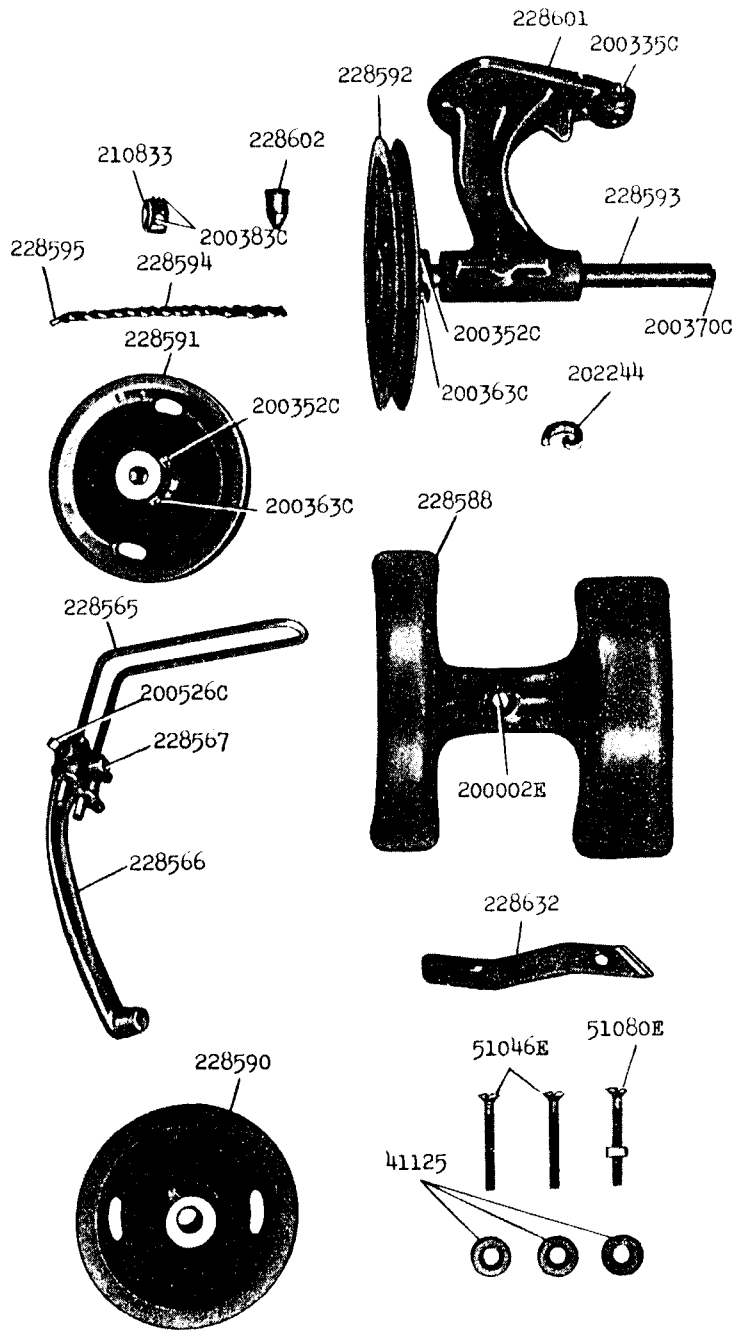


228587



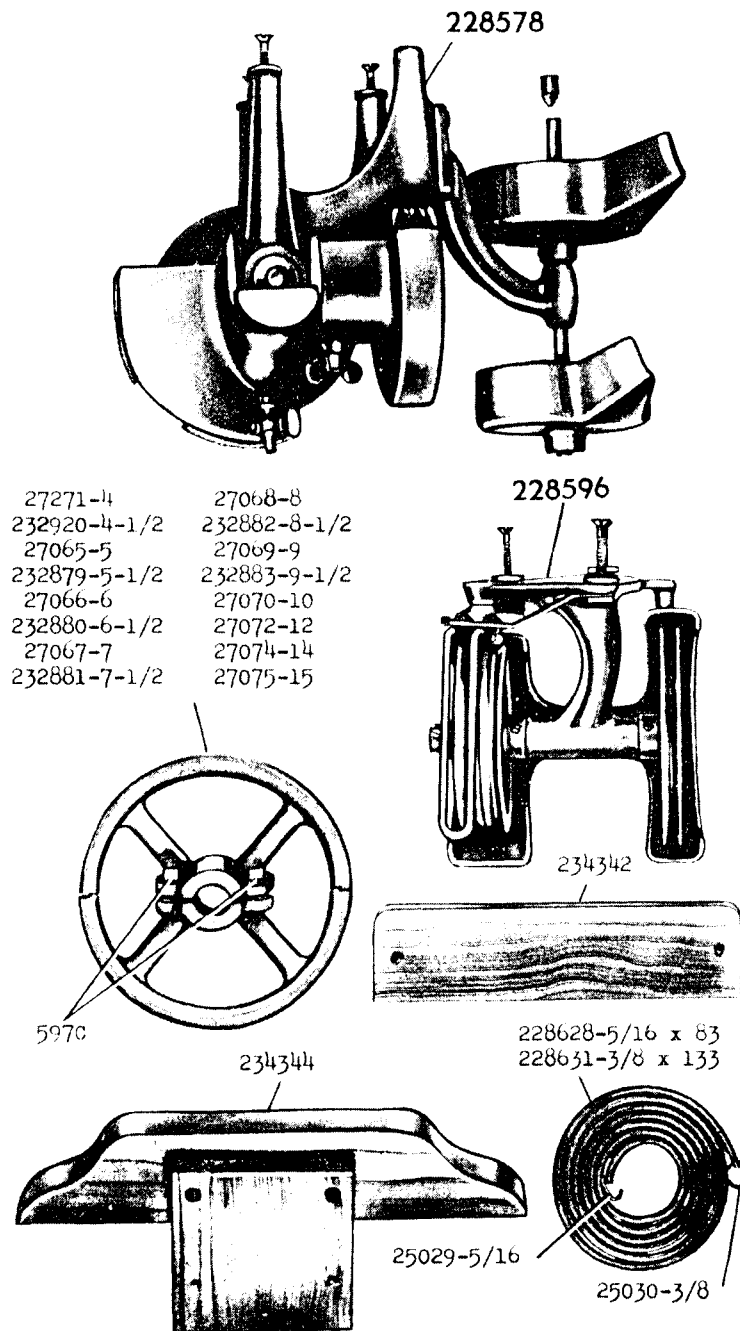
16387 - 1/5

228596



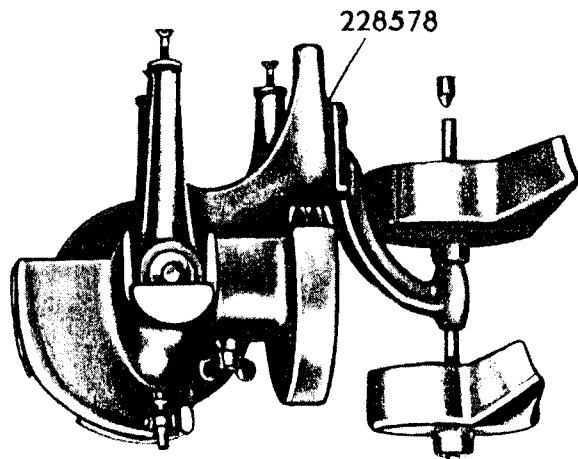
16388 - 1/6

228599



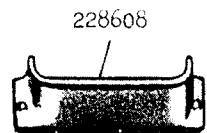
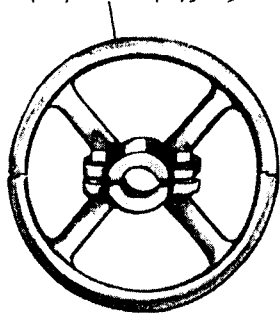
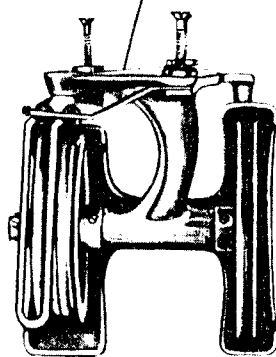
16389 - 1/6

228609



- |              |              |
|--------------|--------------|
| 27271-4      | 27068-8      |
| 232920-4-1/2 | 232882-8-1/2 |
| 27065-5      | 27069-9      |
| 232879-5-1/2 | 232883-9-1/2 |
| 27066-6      | 27070-10     |
| 232880-6-1/2 | 27072-12     |
| 27067-7      | 27074-14     |
| 232881-7-1/2 | 27075-15     |

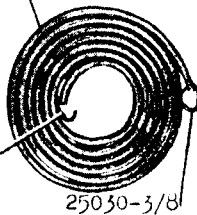
228596



228628-5/16 x 83  
228631-3/8 x 133

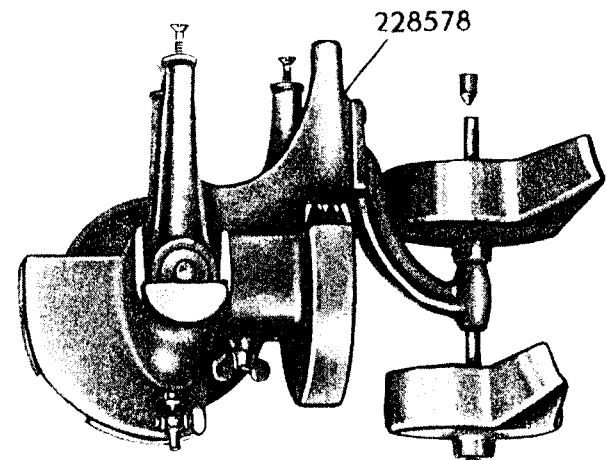


25029-5/16



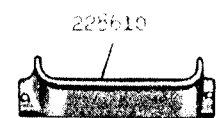
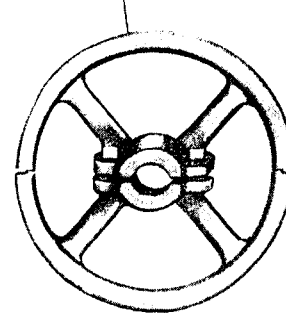
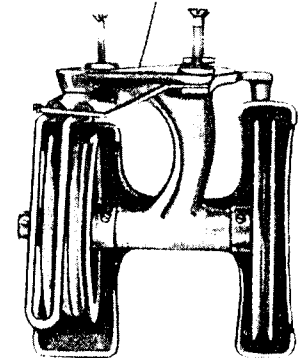
16390 - 1/6

228611

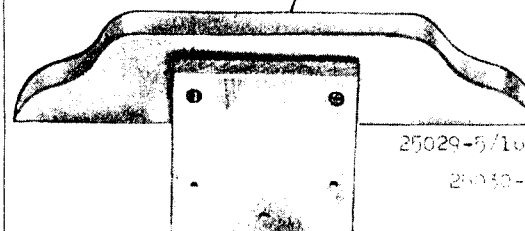


- |              |              |
|--------------|--------------|
| 27271-4      | 27068-8      |
| 232920-4-1/2 | 232882-8-1/2 |
| 27065-5      | 27069-9      |
| 232879-5-1/2 | 232883-9-1/2 |
| 27066-6      | 27070-10     |
| 232880-6-1/2 | 27072-12     |
| 27067-7      | 27074-14     |
| 232881-7-1/2 | 27075-15     |

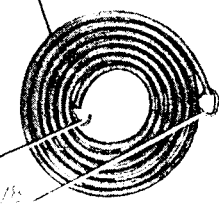
228596



228628-5/16 x 83  
228631-3/8 x 133

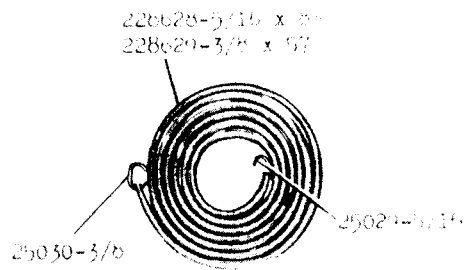
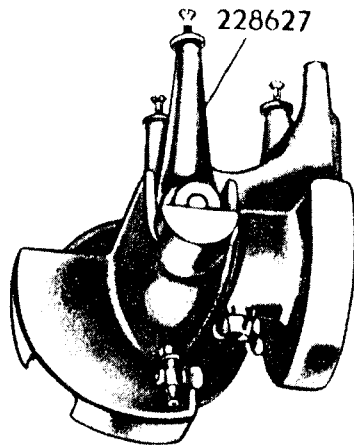


25029-5/16



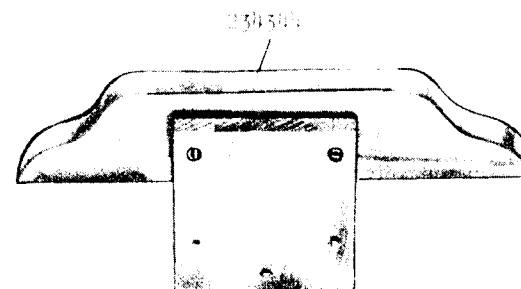
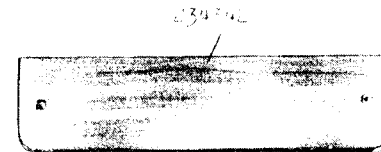
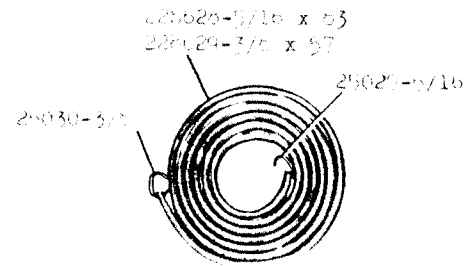
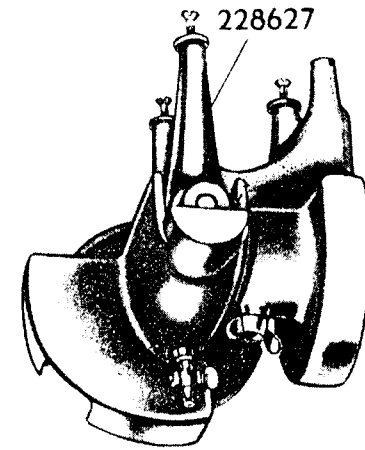
16391 - 1/6

228605



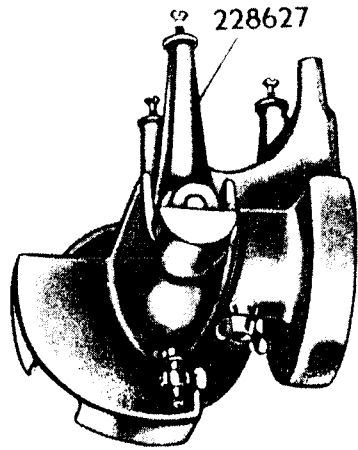
16392 - 1/6

228612

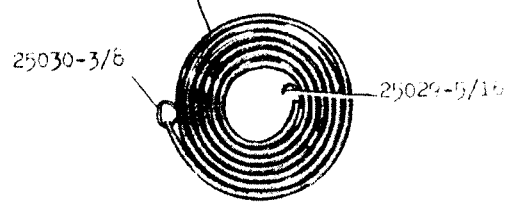


16393 - 1/6

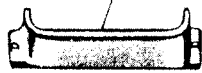
228613



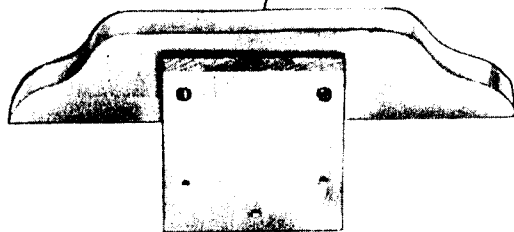
228628-5/16 x 83  
228629-3/8 x 57



228610

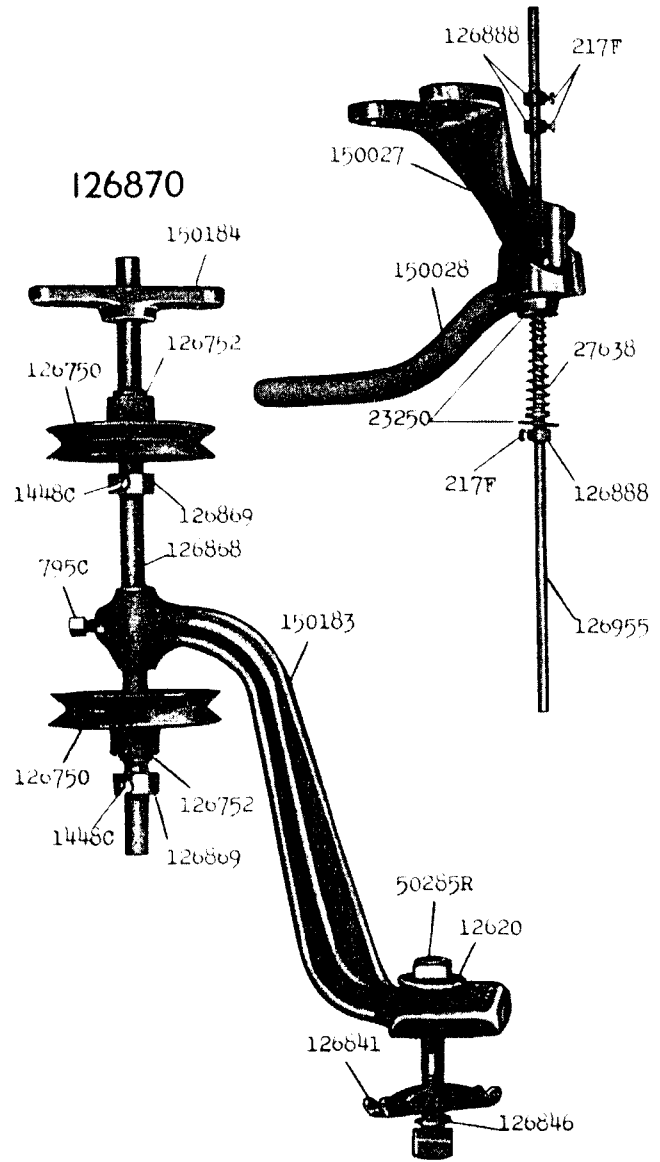


234344



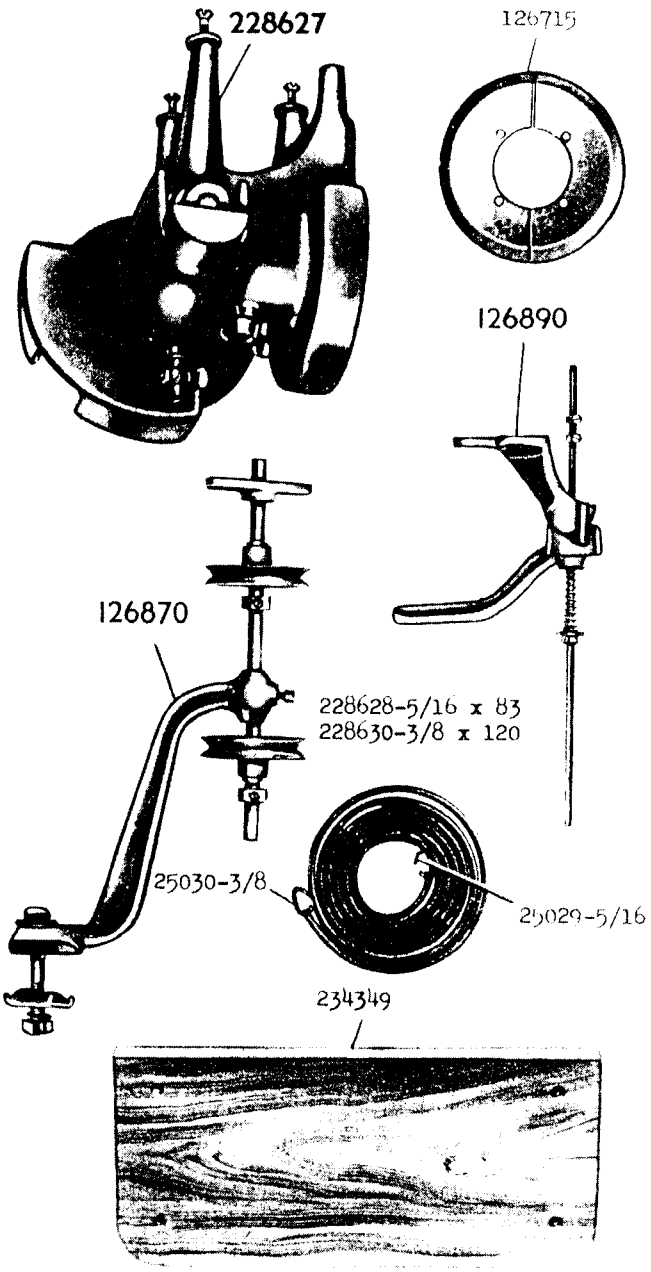
16394 - 1/4

126890



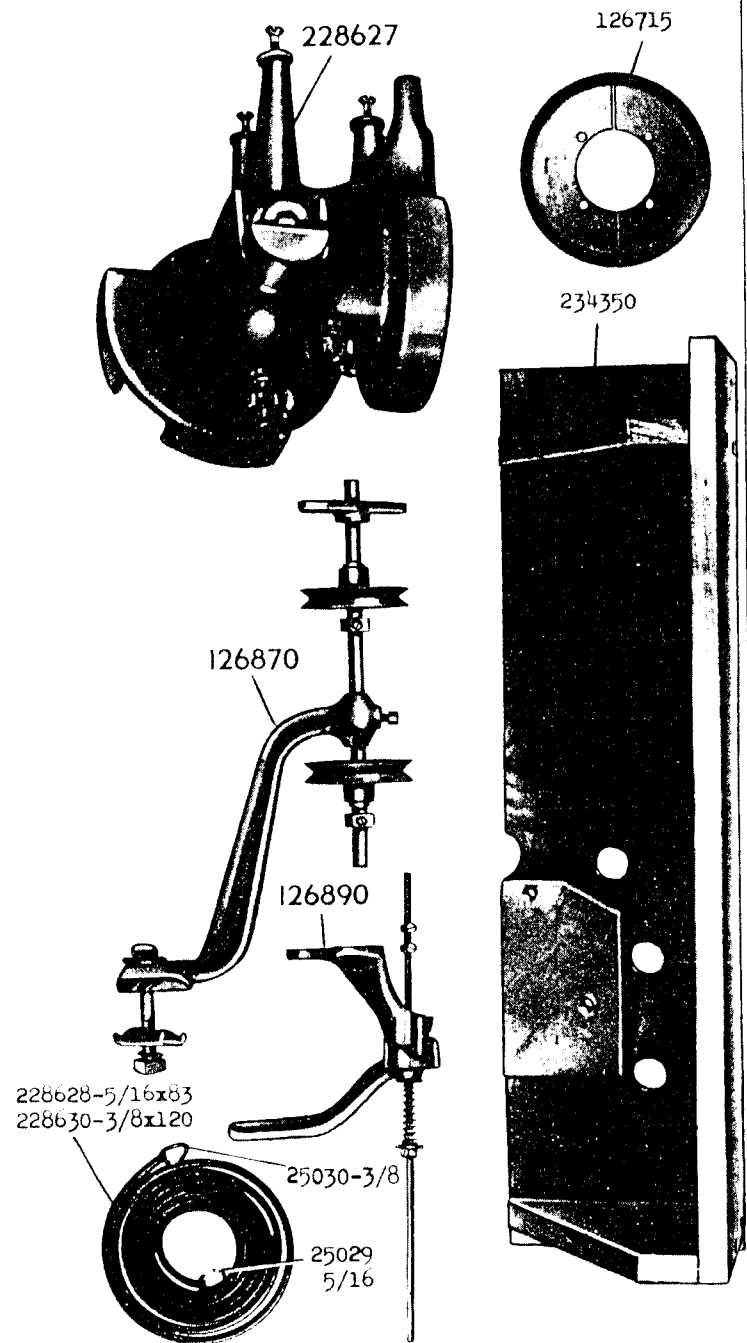
16395 - 1/6

228645



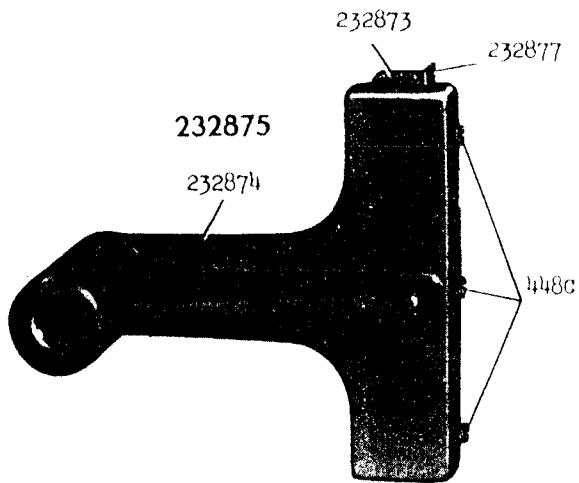
16396 - 1/6

228646

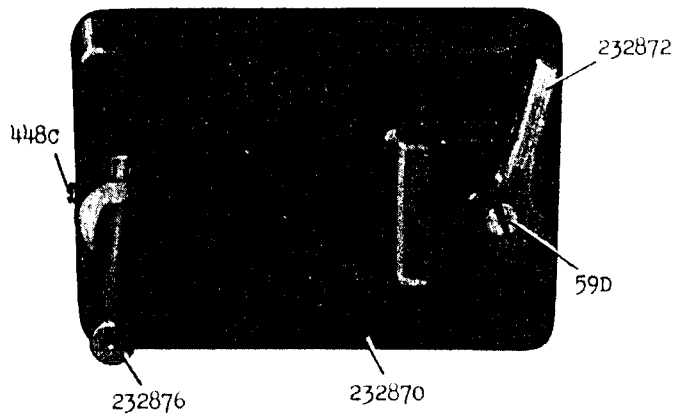


16401 - 1/2

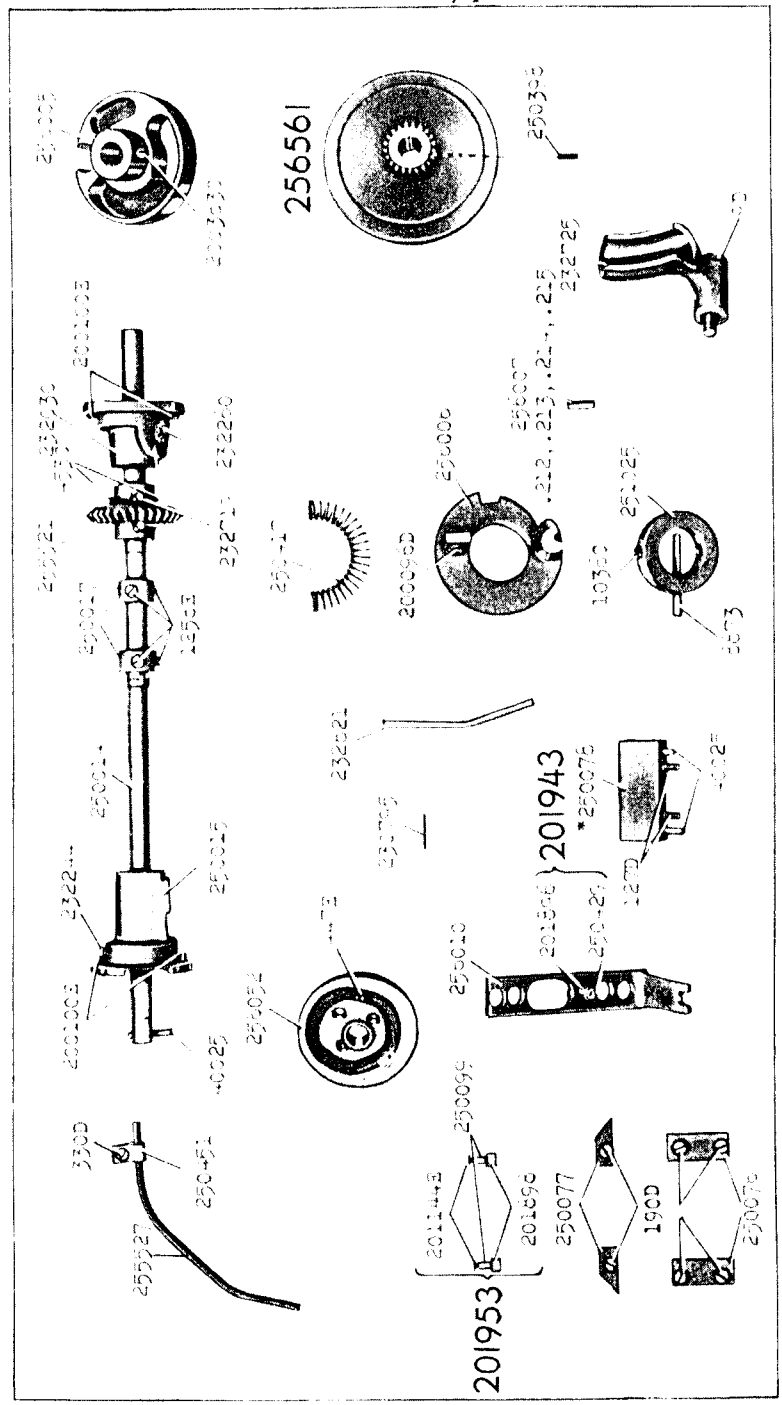
232878



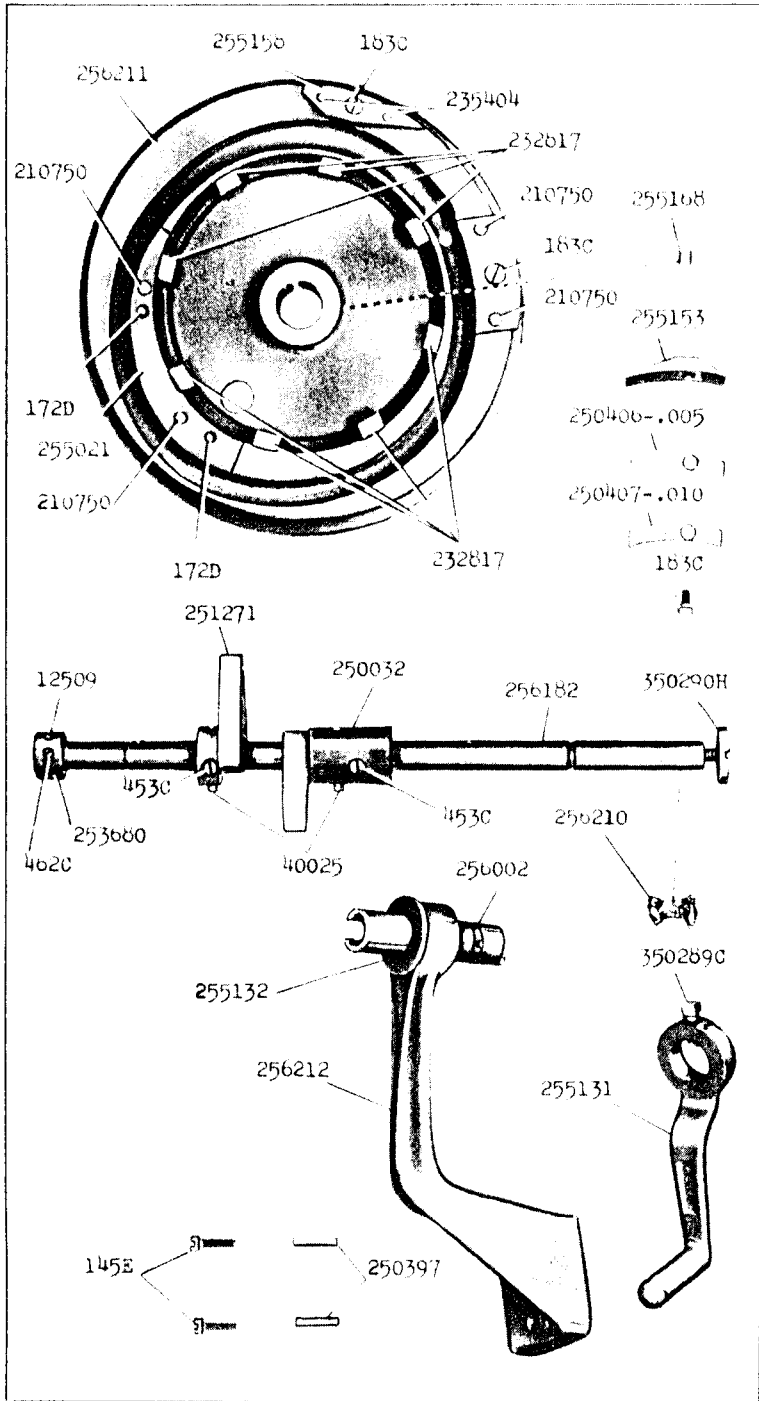
232871



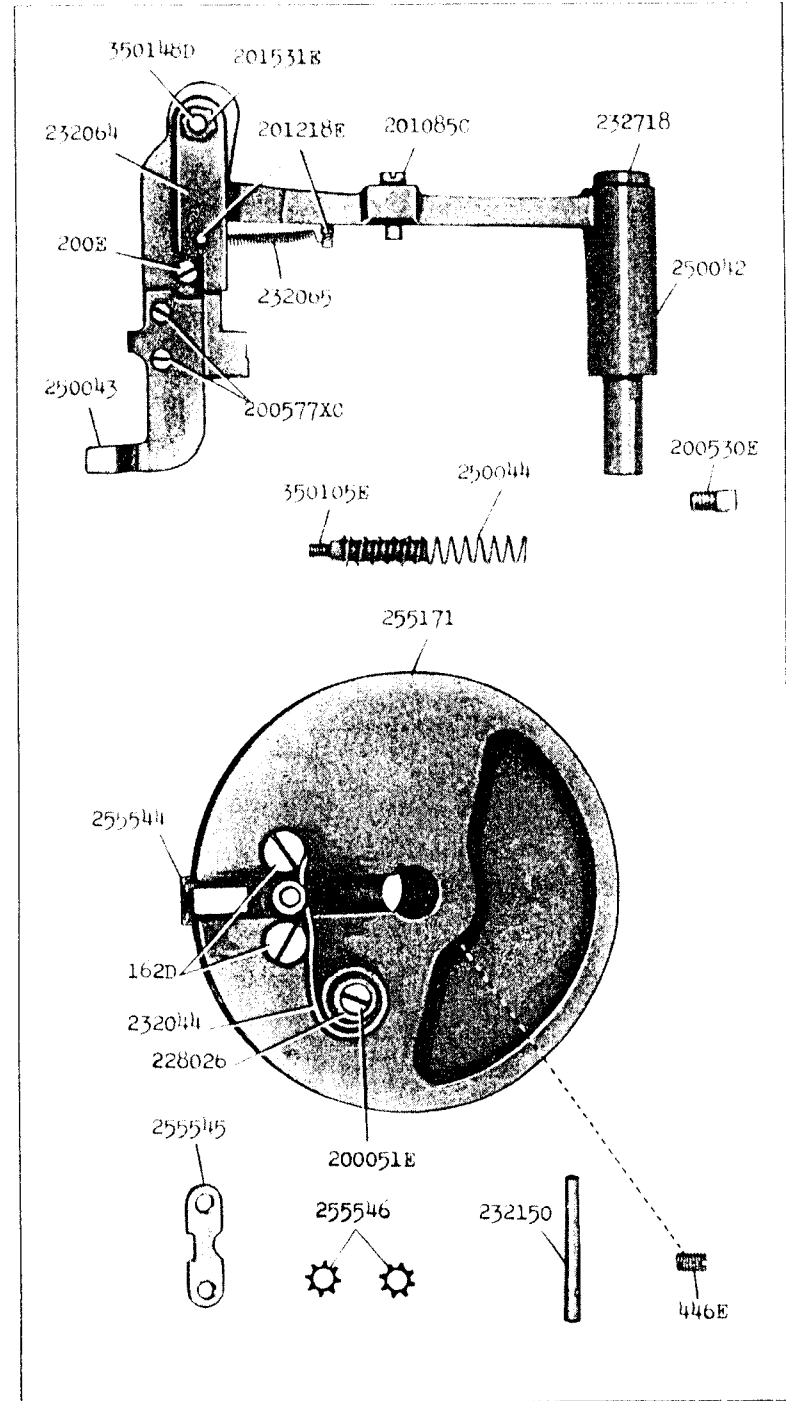
16402 - 1/4



16405 - 1/3

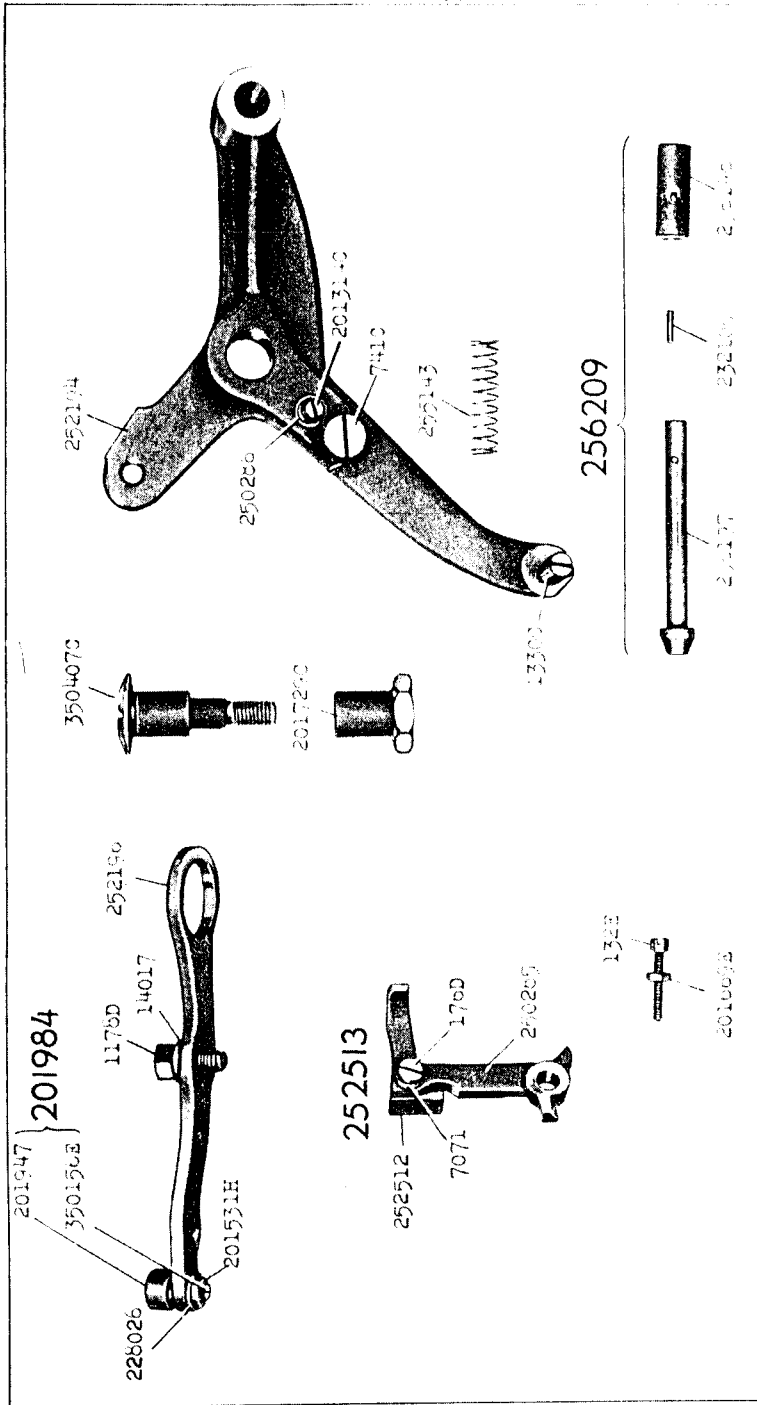


16406 - 1/2

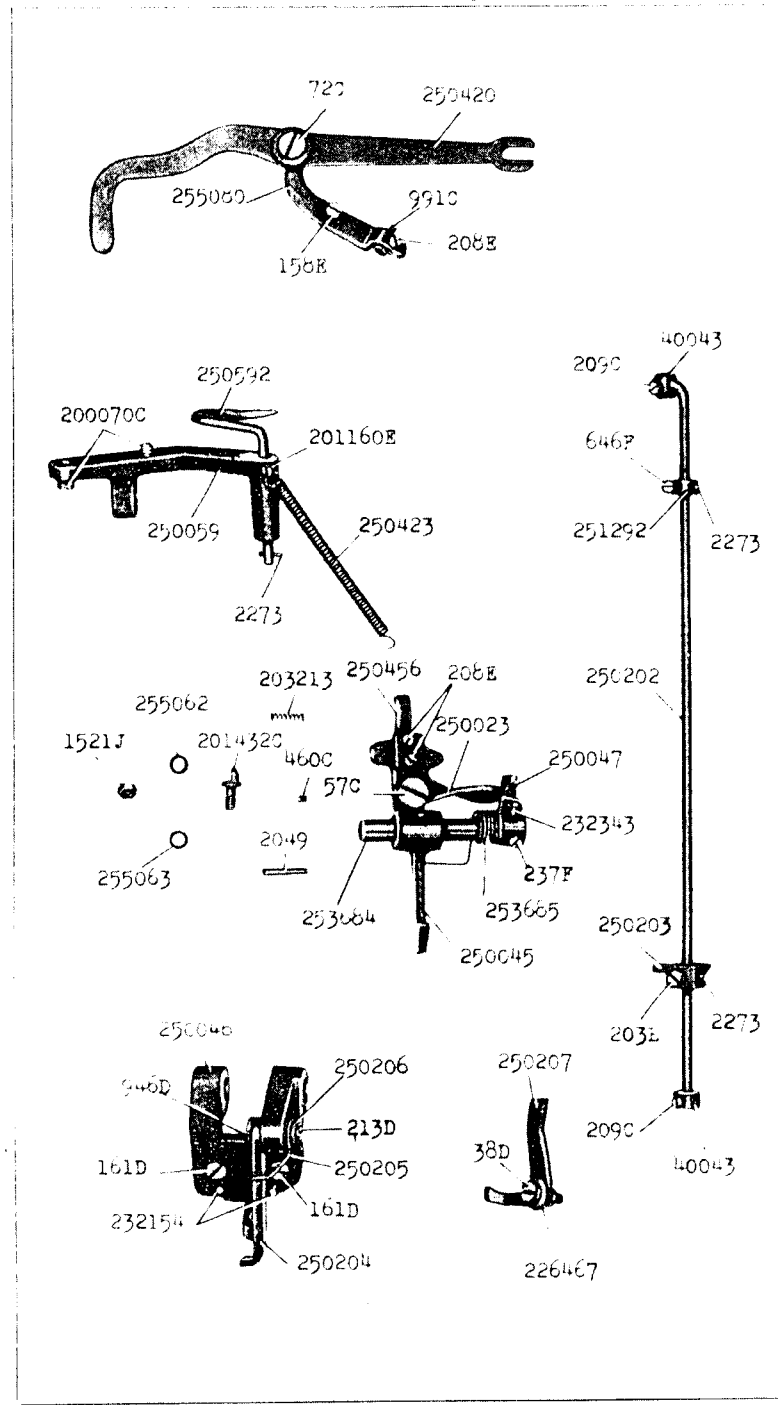




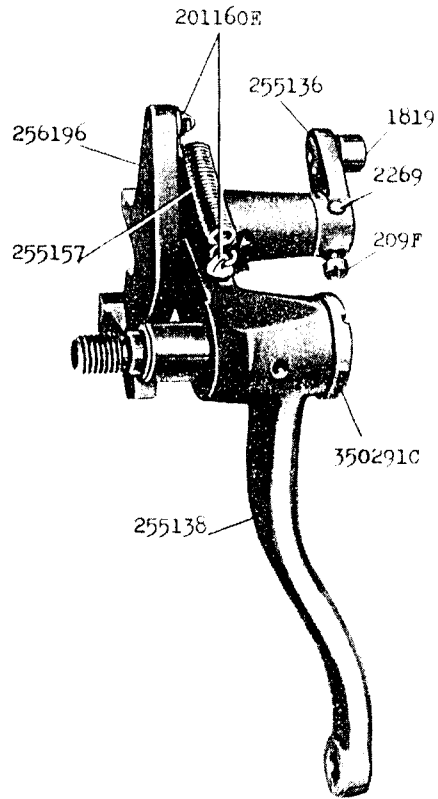
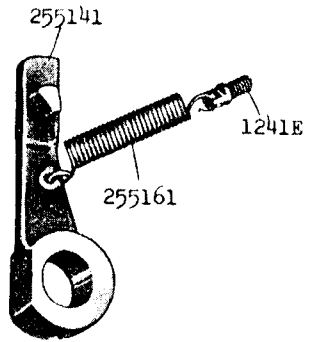
16407 - 1/2



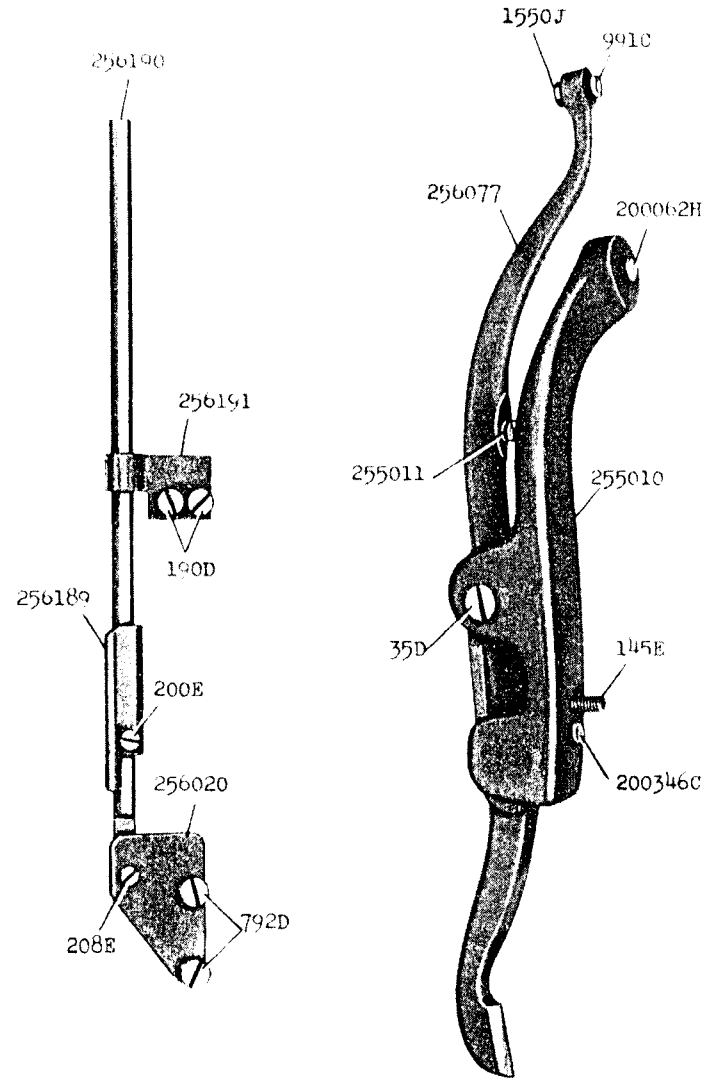
16408 - 1/3



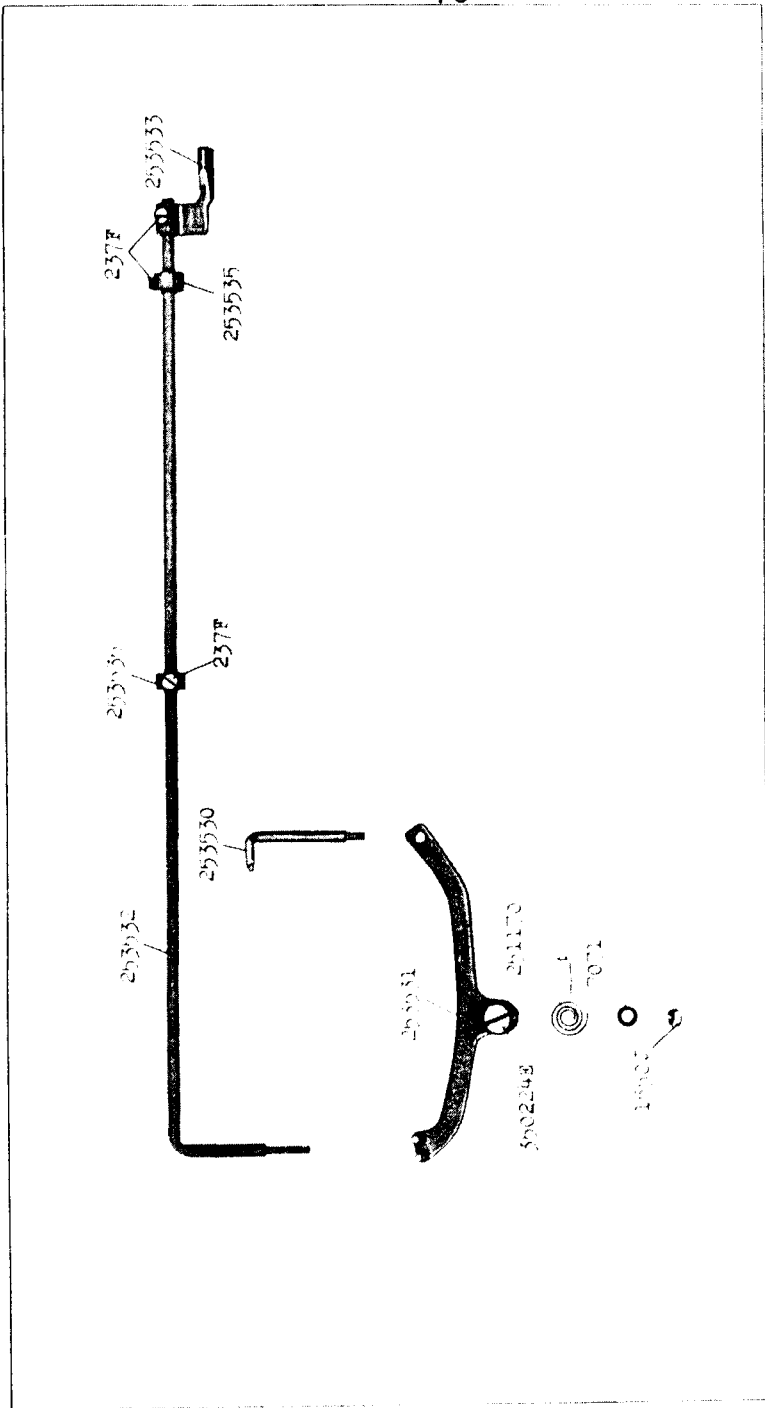
16409 - 2/3



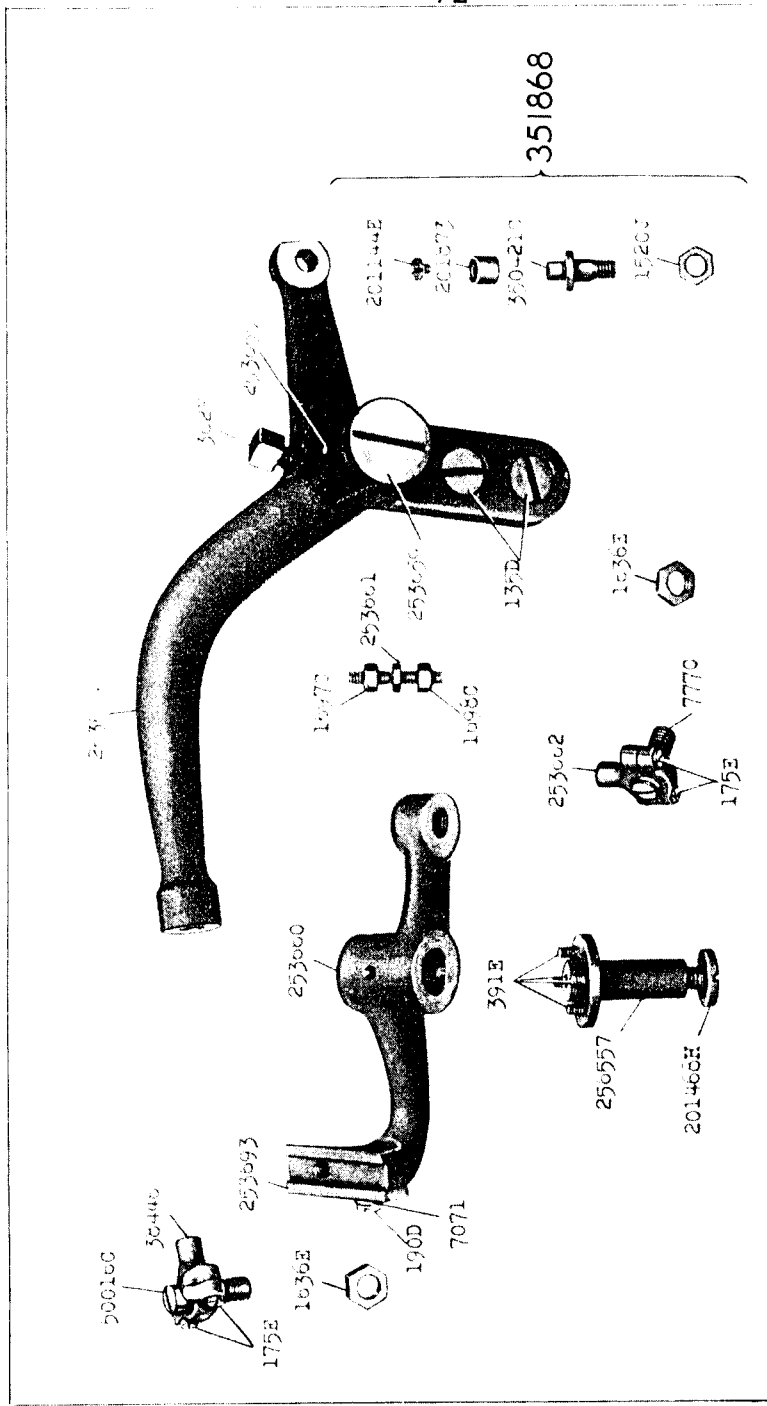
16412 - 1/2



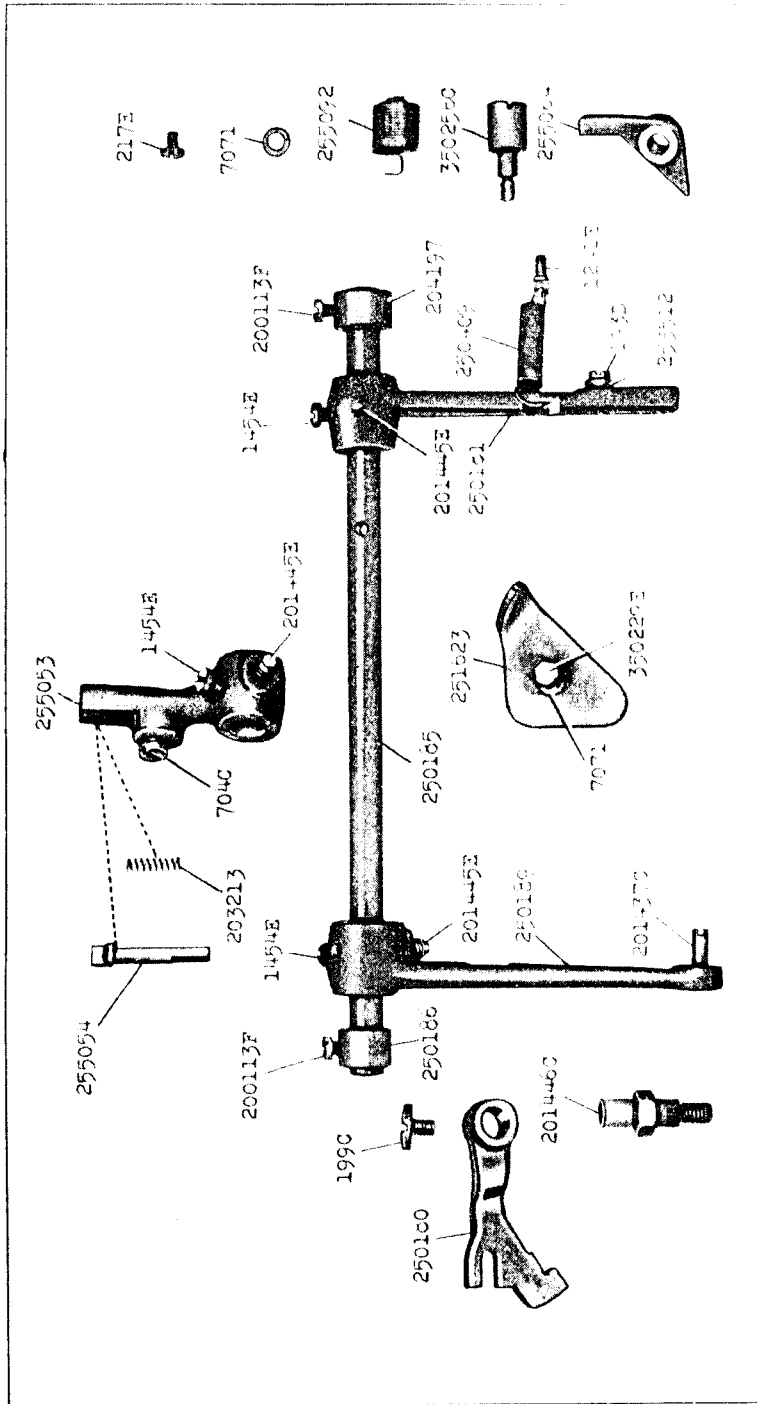
16415 - 3/8



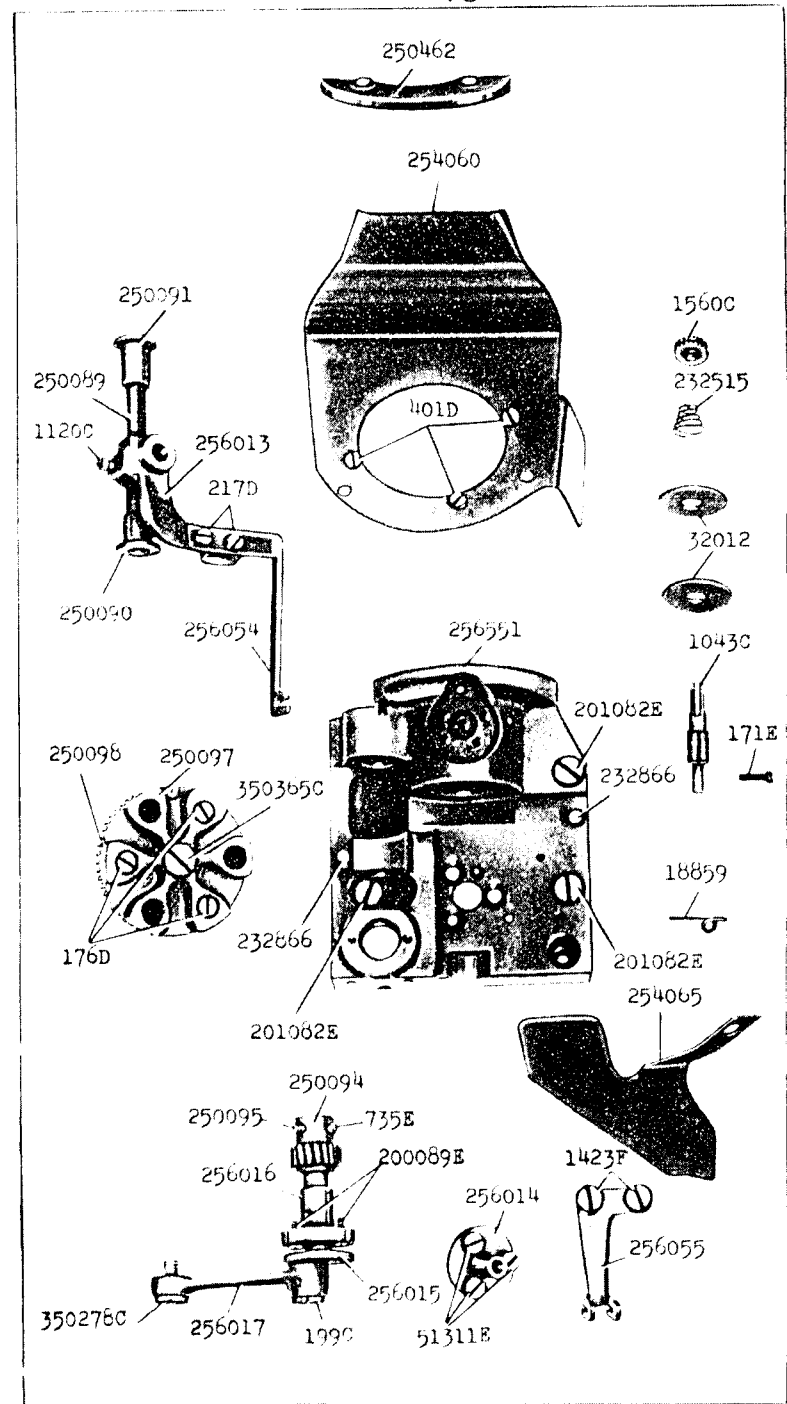
16419 - 1/2



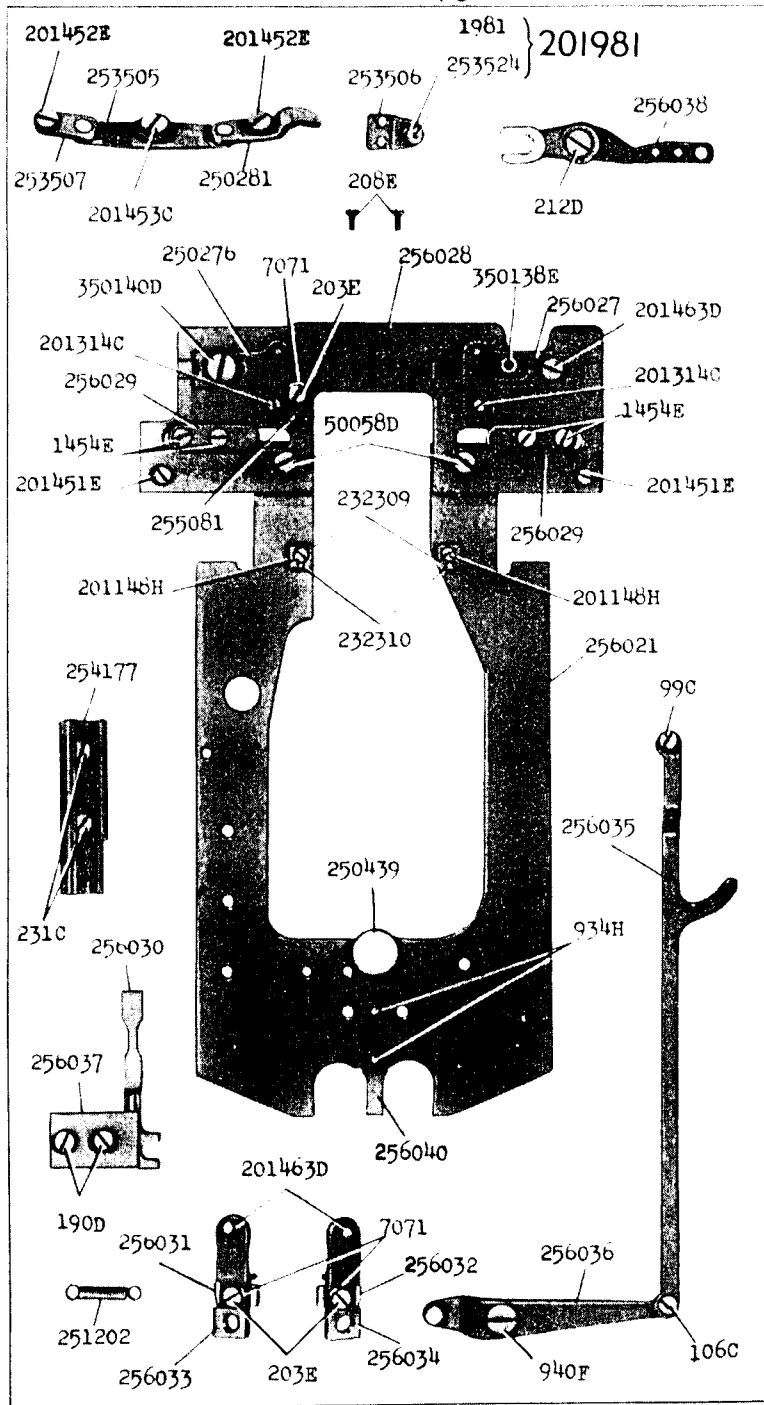
16421 - 1/2



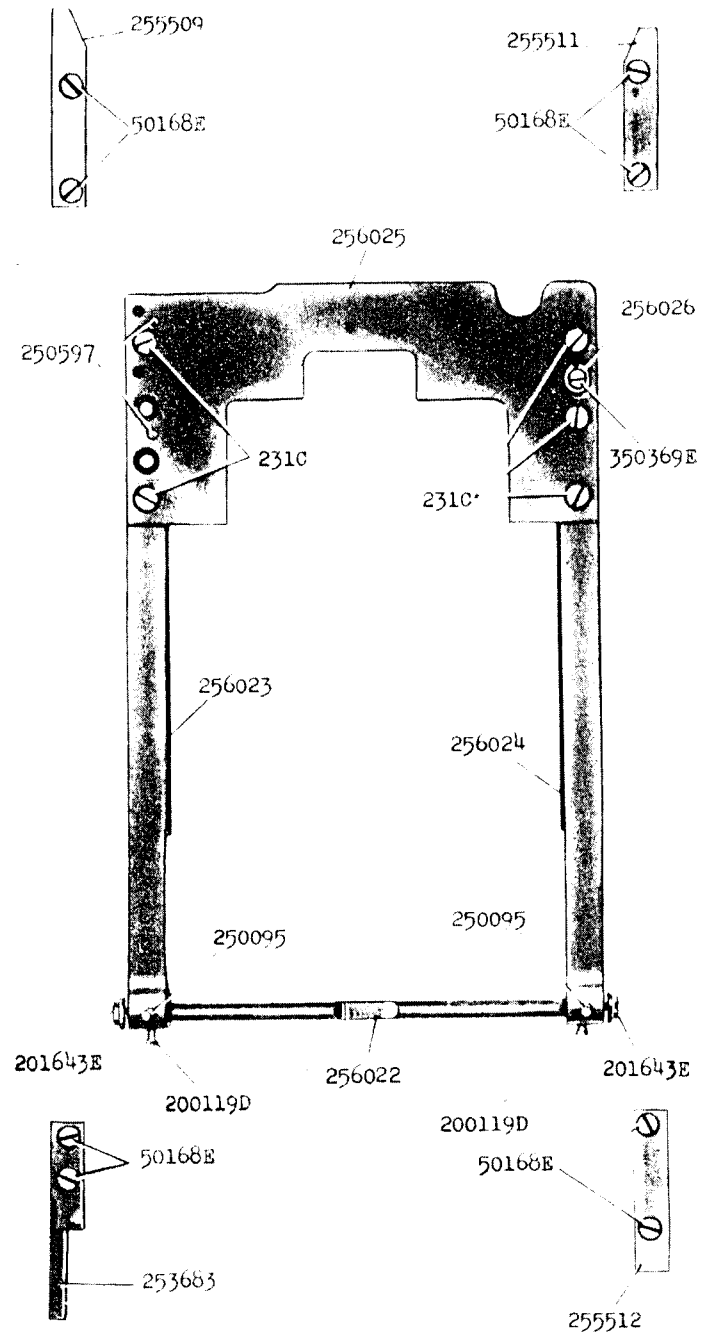
16424 - 3/8



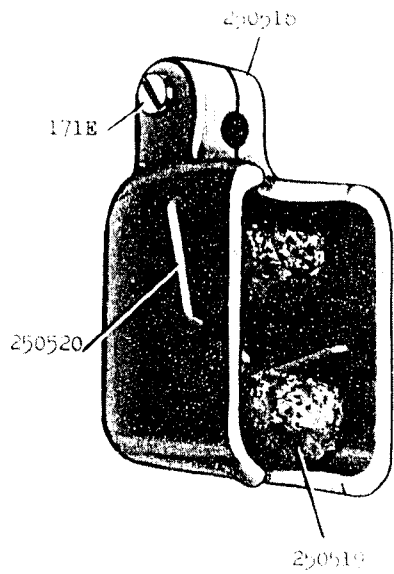
16427 - 3/8



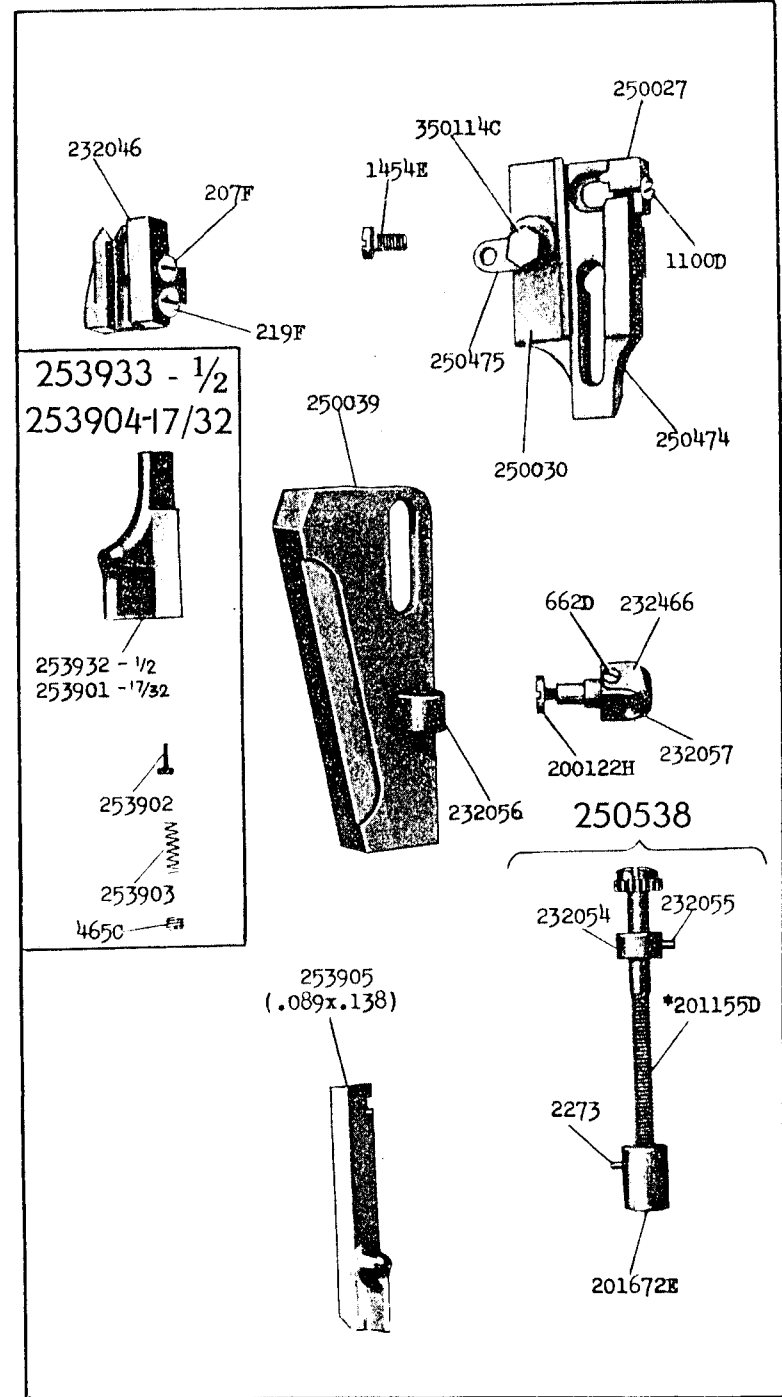
16428 - 3/8



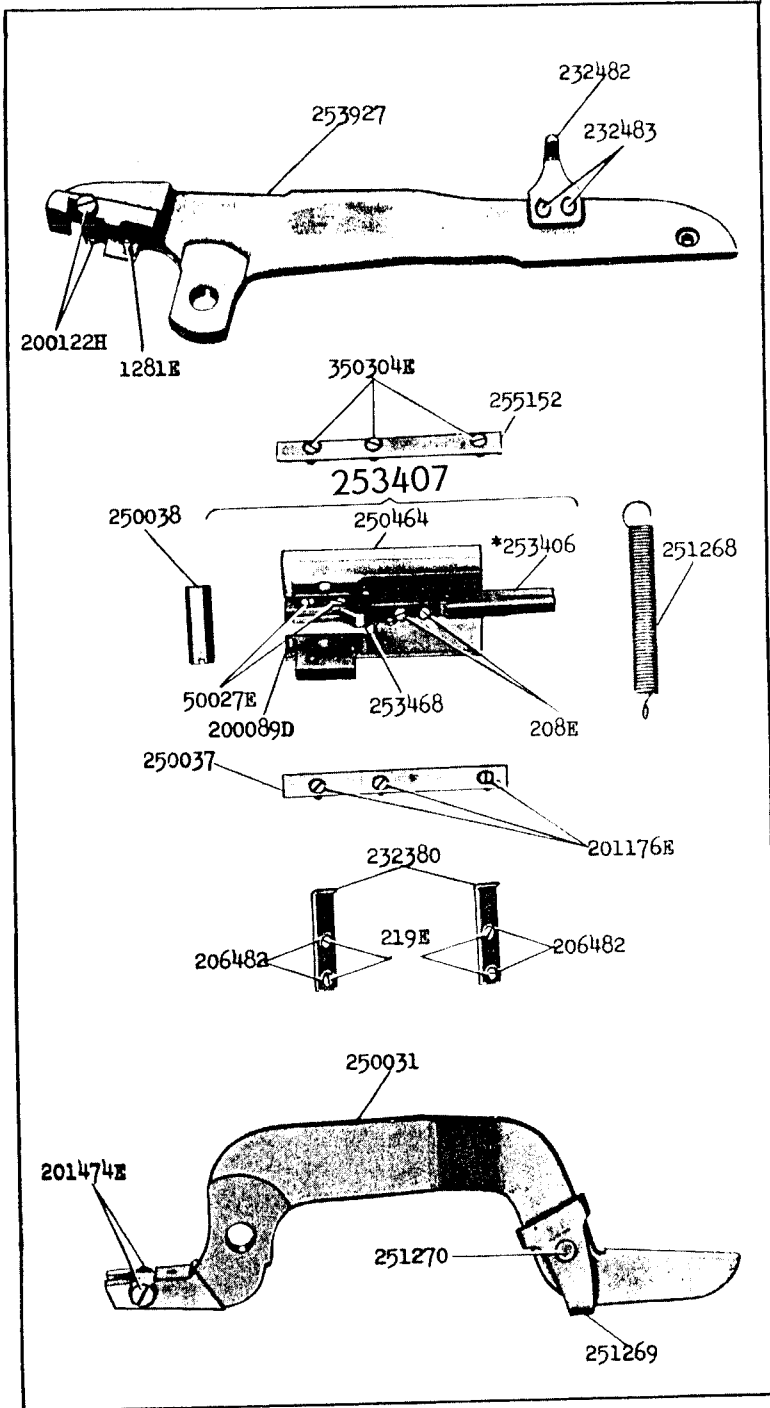
16431



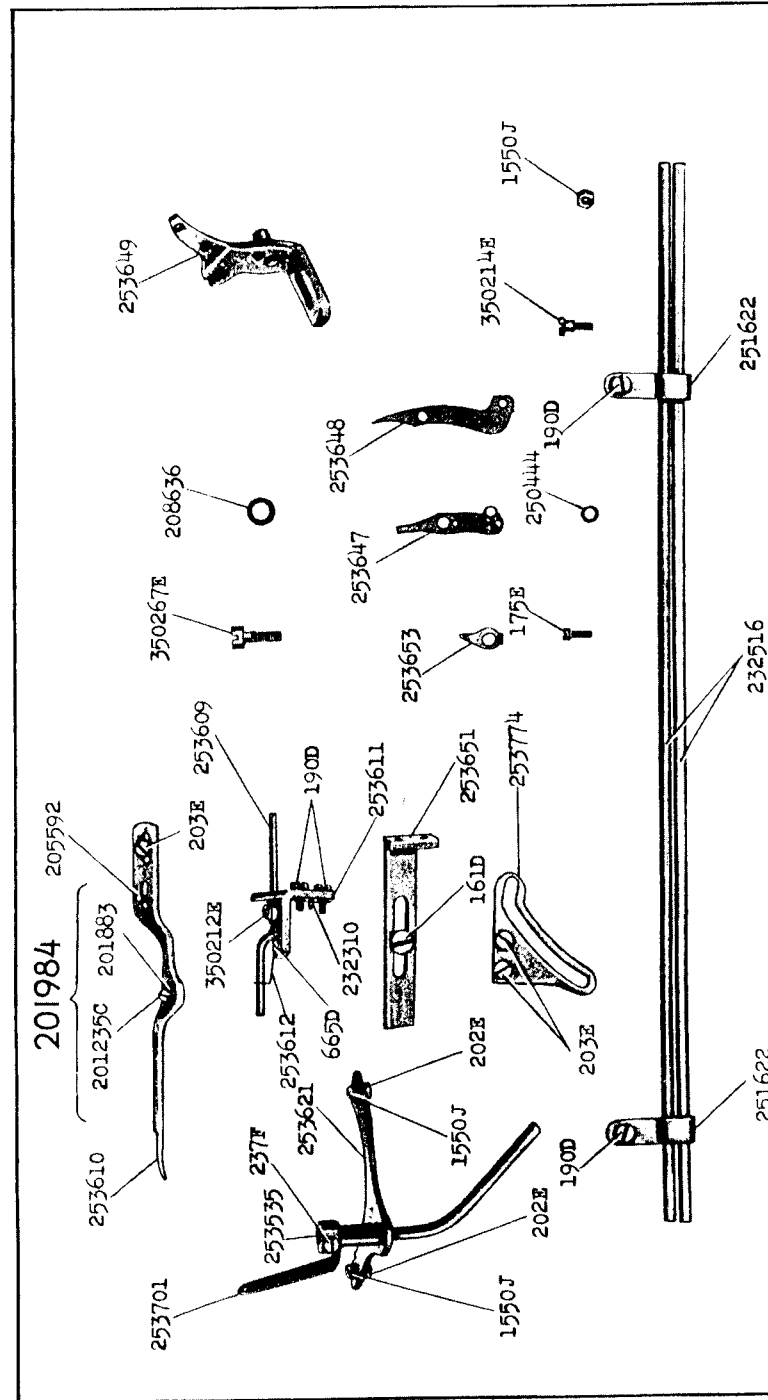
16486 - 2/3



16487 - 1/3



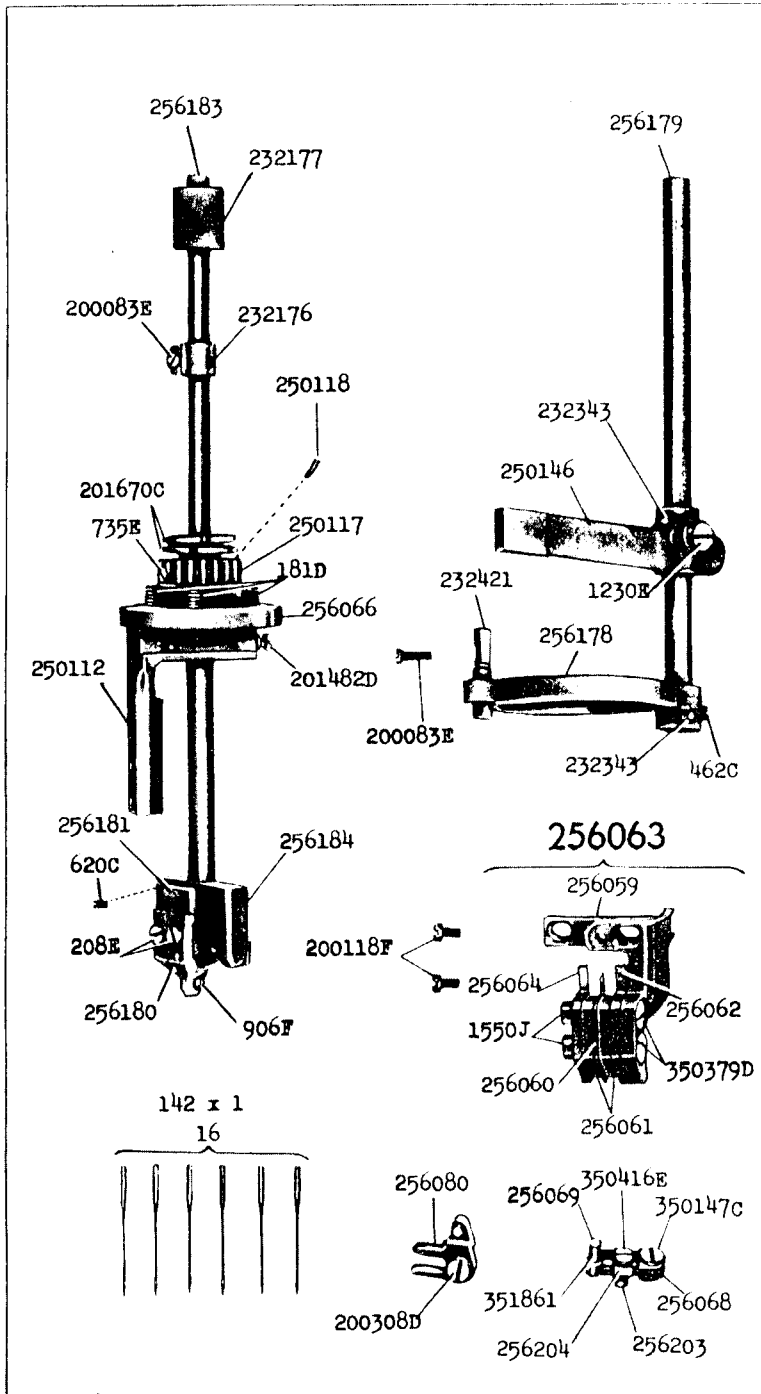
16488 - 3/8



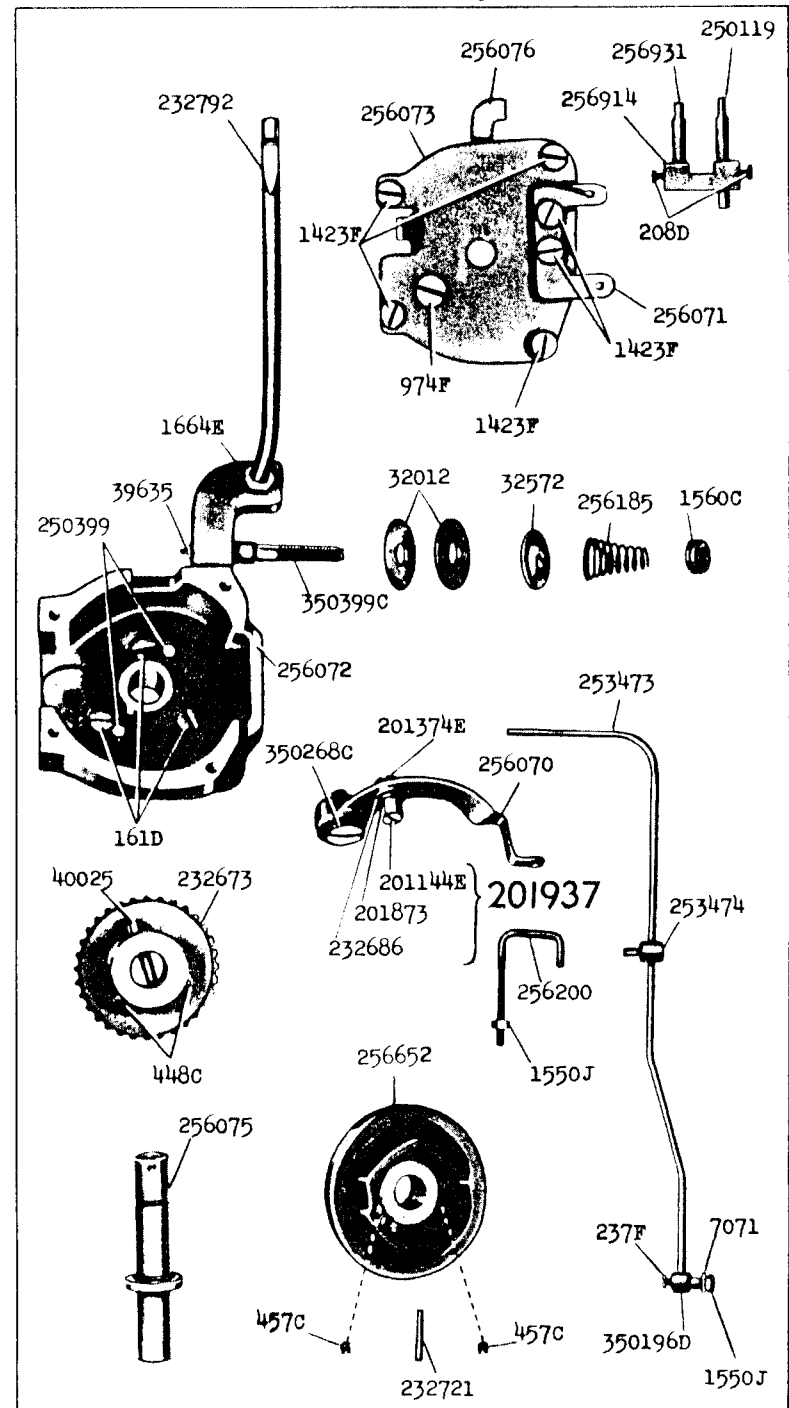




16491 - 1/2

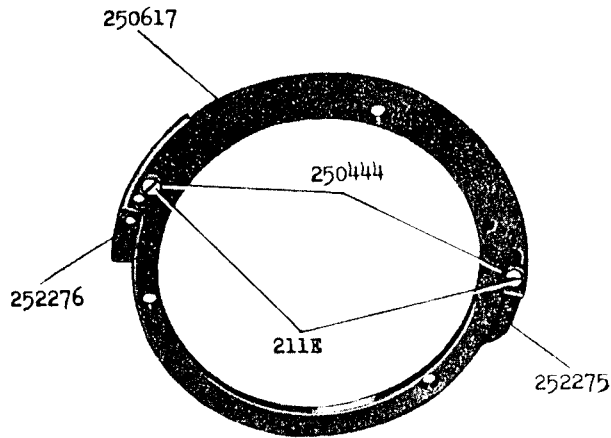
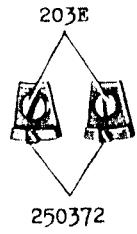
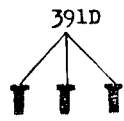
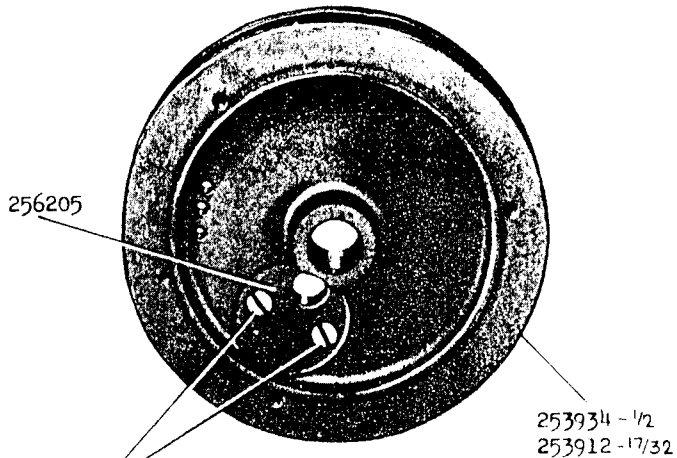


16492 - 3/8

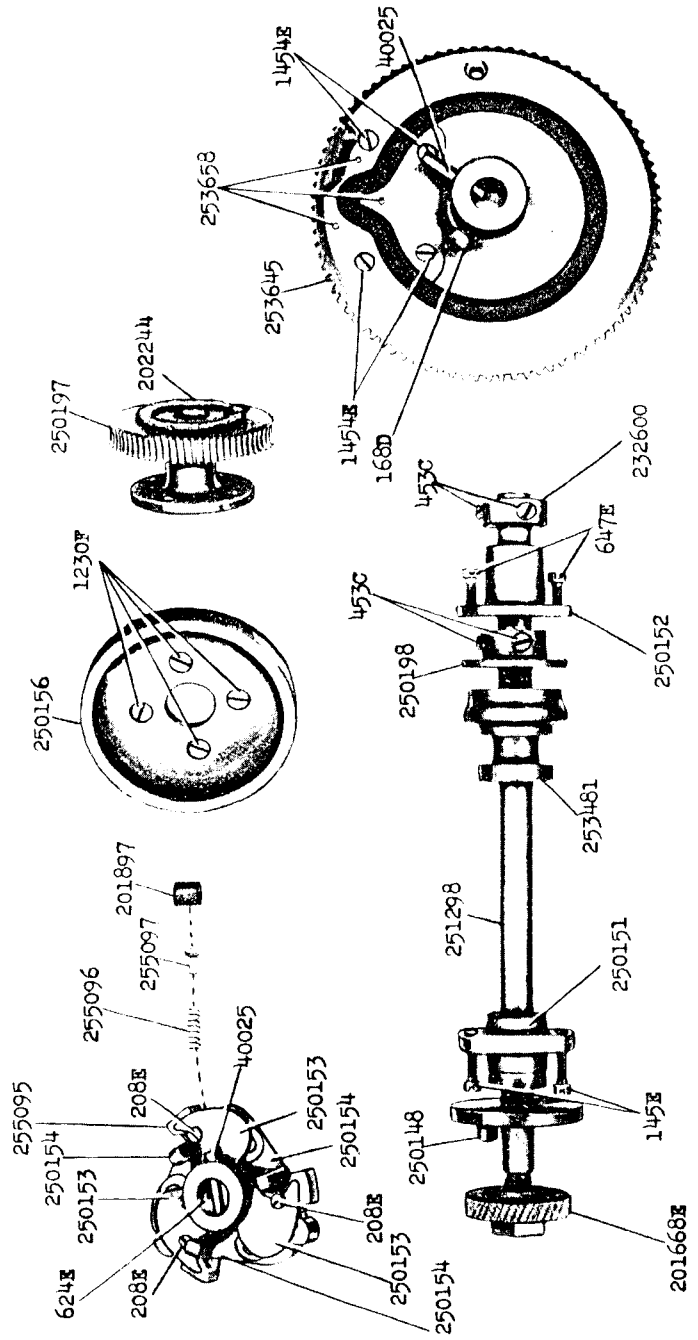


16493 - 1/2

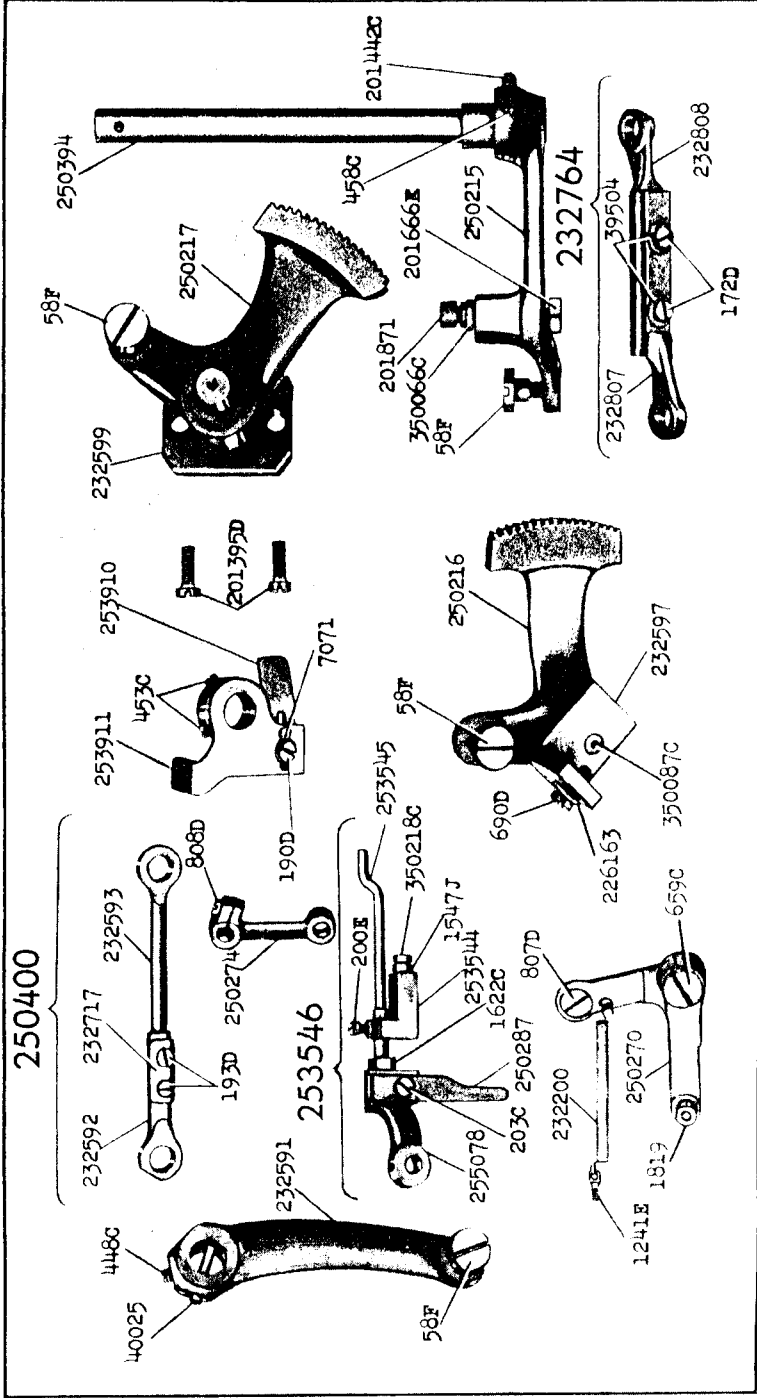
253935 - 1/2 T.B.(S) 253913 - 17/32 T.B.(S)



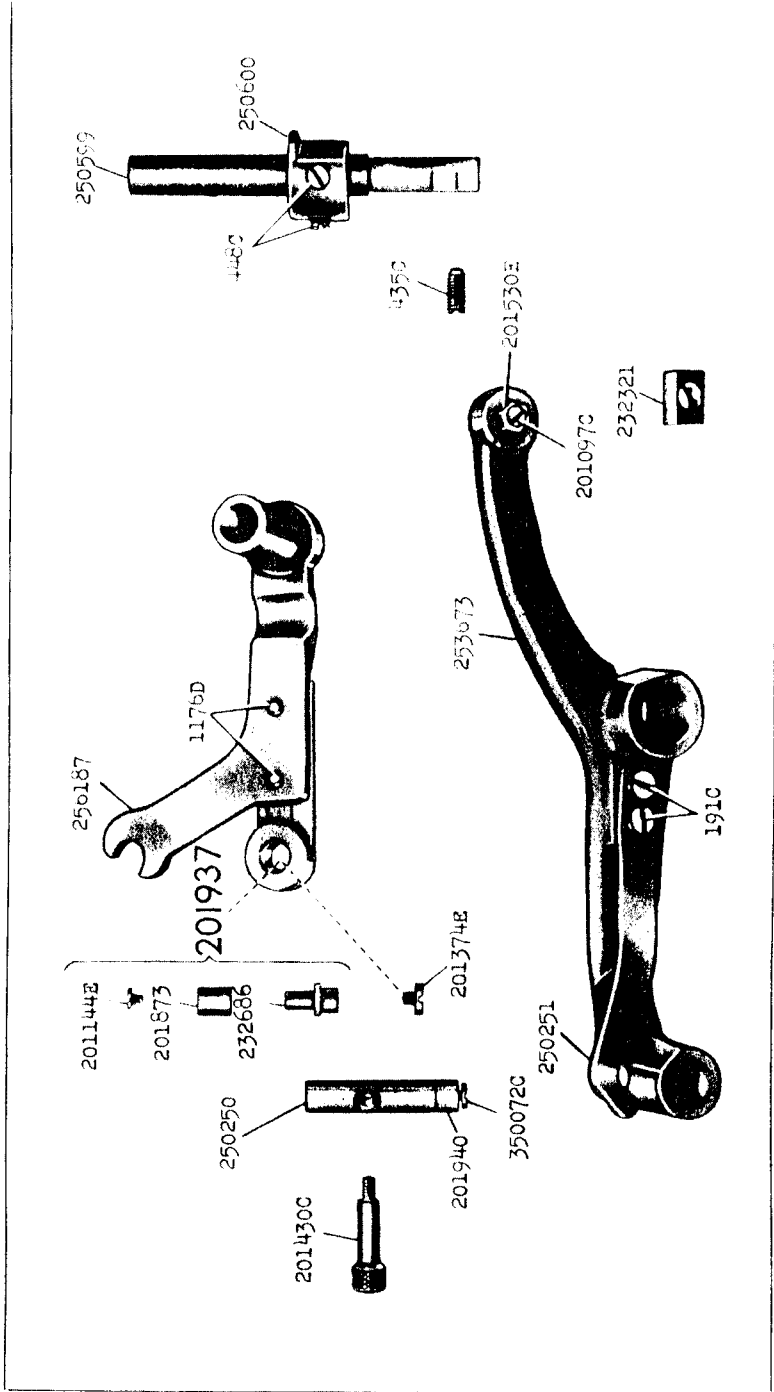
16494 - 3/8



16495 - 3/8

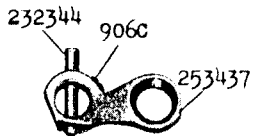
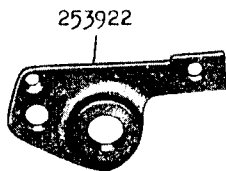
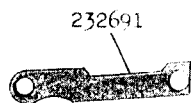
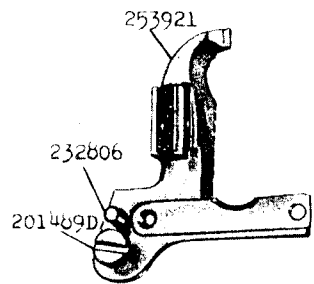


16496 - 1/2



16497

253938



201406E

232690

1348E

253923

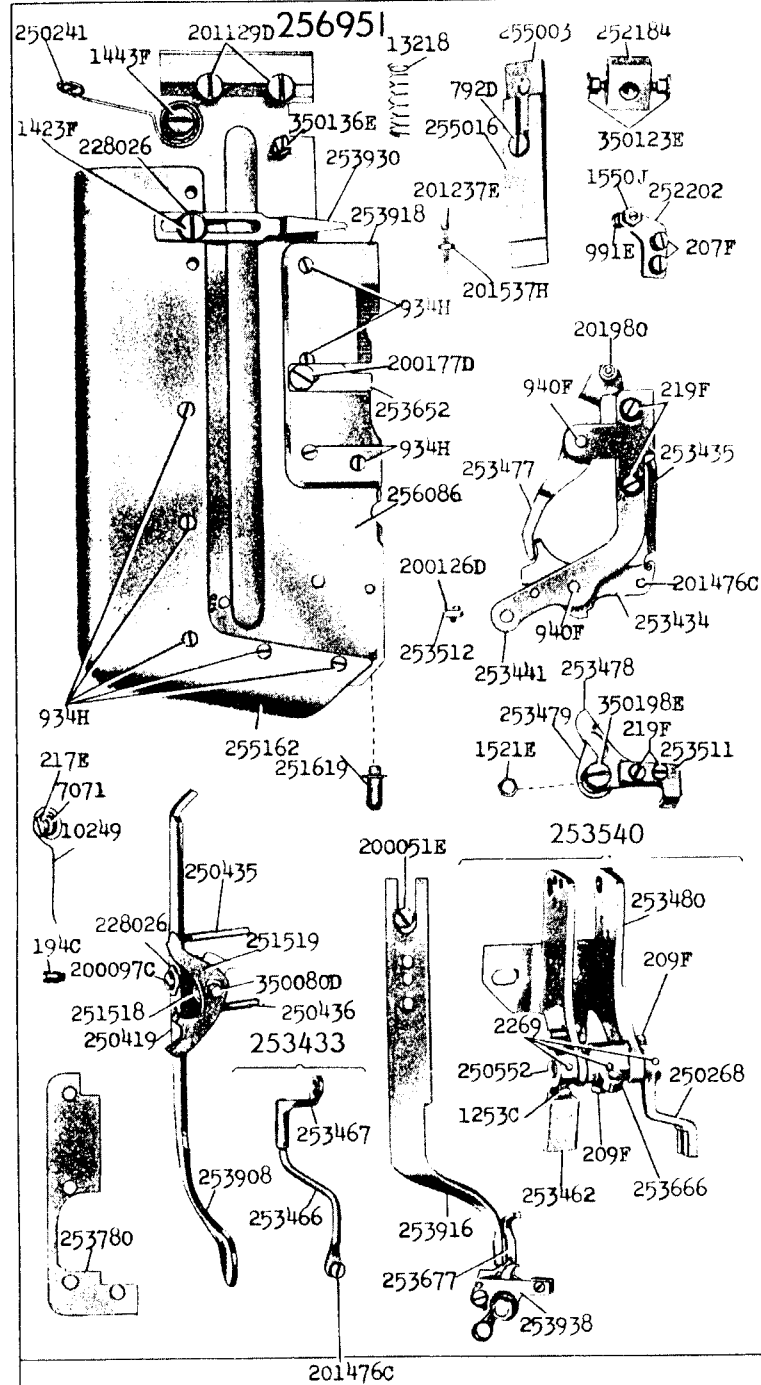
662D

253925

253926

237F

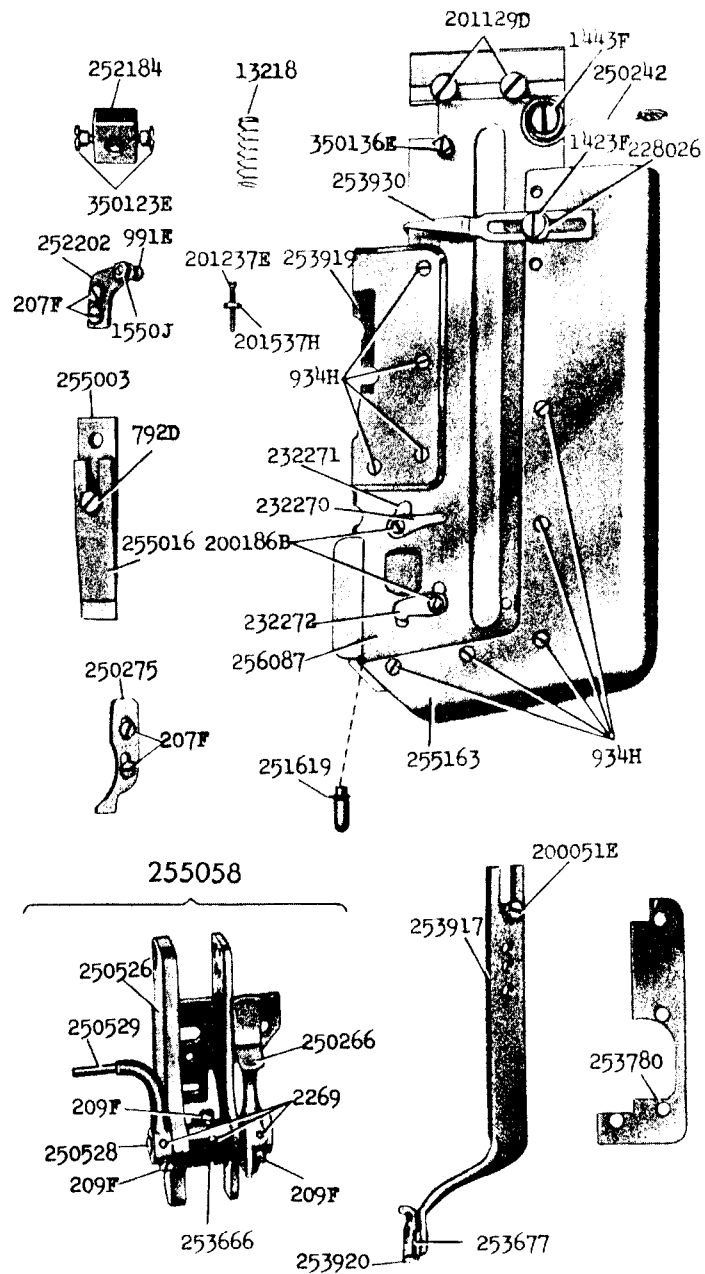
16498 - 3/8



201476C

16499 - 3/8

256952



16500 - 2/3

