

SINGER
99W121

LIST OF PARTS



MACHINE No. 99w121

THE SINGER MANUFACTURING COMPANY

INDEX

| | Page |
|------------------------------------|------|
| Accessories | 39 |
| Buttonhole Cutting Blocks | 45 |
| " " Knives | 46 |
| Driving Equipment | 41 |
| Machine No. 99w121 | 5 |
| Numerical List of Parts | 49 |
| Pattern Wheels | 46 |
| Shaft Pulleys | 47 |
| Singer Knife Trueing Fixture | 48 |
| Thread Lubricating Cup | 48 |
| Thread Unwinder | 40 |

INSTRUCTIONS FOR ORDERING

In ordering from this list, use ONLY the PART number in the FIRST column.

The number stamped on a Sewing Machine Part is the number of the Single Part only, except when the part includes Set Screws, Clamping Screws, Studs and Rollers Spun on, Small Wires riveted, or Parts soldered together, etc., which it is necessary to furnish in combination.

Every combination of parts sent out has its specific number which, although not stamped on Parts (except in above case), must be used when ordering the combination.

Each number always indicates the SAME PART in whatever list it appears, or for whatever Machine.

The letters after some of the numbers indicate the style of finish only, as follows:

- A. Hardened, Polished, Nickel Plated and Buffed.
- B. Polished, Nickel Plated and Buffed.
- C. Hardened only.
- D. Polished only.
- E. Soft, not polished.
- F. Hardened and Polished.
- H. Blued.
- J. Nickel Plated only.
- R. Mørlized.
- X. Black Oxide.
- XC. Hardened and Black Oxide.
- Y. Blade Nickel only.

These letters MUST BE USED when they appear in the list and AFTER the number, as in the list.

In this series

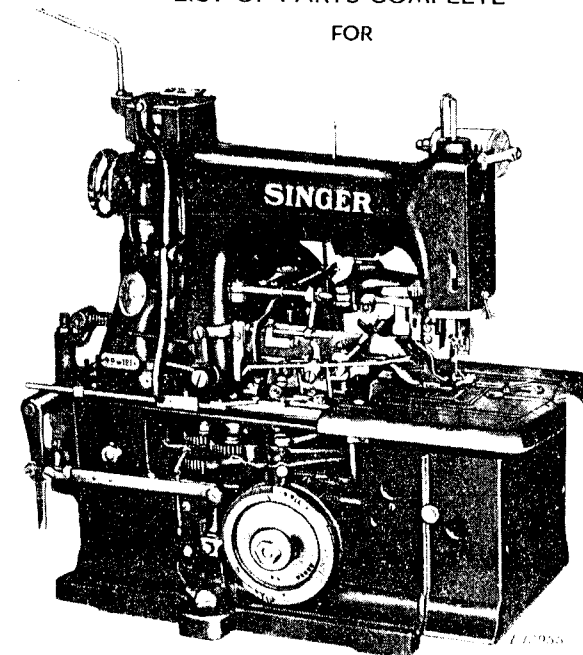
200001 to 201500 and 350001 to 351500 are Screw Numbers.
 201501 to 201800 and 351501 to 351800 are Nut Numbers.
 201801 to 202000 and 351801 to 352000 are Roller Numbers.
 202001 to 350000 are Numbers of Machine Parts.

The figures in the second column refer only to the plate in which the illustration of the part is shown and are NOT TO BE USED in ordering.

Two or more numbers over a cut indicate that the difference between such parts is not visible in an illustration.

Parts marked with an asterisk (*) are furnished only when repairs are made at the factory.

LIST OF PARTS COMPLETE FOR



MACHINE No. 99w121

Automatic Eyelet End Buttonhole Machine, for 3/4 or 7/8 in. High Grade Taper Bar Buttonholes with Top and Bottom Reinforcing Cords in Sport Coats, Sweaters and other knit goods. Has improved automatic thread and cord trimming device below the work.

Cuts the hole AFTER stitching.

| No. | Plate | Name |
|---------|-------|--------------------------------|
| *256041 | ----- | Arm |
| 204235 | 16348 | " Position Pin (2) |
| 200020E | 16348 | " Screw (4) |
| 232488 | 16348 | " Shaft |
| 232489 | 16348 | " " Bevel Gear with two 4530 |
| 232244 | 16348 | " " " " Position Pin |
| 453E | 16348 | " " " " Set Screw |
| 232002 | 16348 | " " Bushing (back) with 202260 |
| 232490 | 16348 | " " " (front) with 202260 |
| 202260 | 16348 | " " " Oil Packing (wick) |
| 200100E | 16348 | " " " Screw (4) |

| No. | Plate | Name |
|---------|-------|--|
| 232003 | 16348 | Arm Shaft Hand Wheel with two 200341C |
| 200341C | 16348 | " " " " Set Screw |
| 150D | 16348 | " " Screw |
| 250002 | 16348 | " Side Cover |
| 200110D | 16348 | " " " Screw |
| *253602 | ----- | Bed with 250078,253683,255509, 255511, 255512 two each 127D,40025 and eight 50168E |
| 250009 | 16350 | Bed End Cover |
| 232025 | 16350 | " " " Catch (2) |
| 232026 | 16350 | " " " " Position Pin (2) |
| 250010 | 16350 | " " " " Releaser (2) |
| 204264 | 16350 | " " " " " Stop Pin (2) |
| 200047D | 16350 | " " " " " Screw (2) |
| 201531H | 16350 | " " " " " Nut (2) |
| 250011 | 16350 | " " " Support (left) |
| 250012 | 16350 | " " " " (right) |
| 457C | 16350 | " " " " Set Screw (2) |
| 250013 | 16367 | " Extension |
| 250397 | 16367 | " " Position Pin (2) |
| 134D | 16367 | " " Screw (4) |
| 250014 | 16402 | " Shaft |
| 255521 | 16402 | " " Bevel Gear with two 453C |
| 232719 | 16402 | " " " " Position Pin (2) |
| 453C | 16402 | " " " " Set Screw |
| 232030 | 16402 | " " Bushing (back) with 202260 |
| 202260 | 16402 | " " " " Oil Packing (wick) |
| 232821 | 16402 | " " " " " Tube (brass) |
| 230795 | 16402 | " " " " " Pin |
| 200100E | 16402 | " " " " Screw (2) |
| 250015 | 16402 | " " " (front) |
| 255527 | 16402 | " " " " Oil Tube (brass) |
| 250451 | 16402 | " " " " " " Bracket |
| 330D | 16402 | " " " " " " " Screw |
| 232244 | 16402 | " " " " Position Pin |
| 200100E | 16402 | " " " " Screw (2) |
| 250017 | 16402 | " " Collar with two 1258E (2) |
| 1258E | 16402 | " " " Set Screw |
| 232725 | 16402 | Belt Guard |
| 9D | 16402 | " " Screw |
| 254052 | 16432 | Buttonhole Cutting Block (steel), 3/4 in. (eye or taper bar) |
| 350111C | 16403 | Buttonhole Cutting Block Pinch Screw |
| 250468 | 16403 | " " " " " Wash-er |
| 1281E | 16403 | Buttonhole Cutting Block Stop Screw |
| 256043 | 16356 | " " Carrier Cam with 200364C |
| 40025 | 16356 | " " " " Position Pin |
| 200364C | 16356 | " " " " Set Screw |

| No. | Plate | Name |
|---------|-------|--|
| 256044 | 16356 | Buttonhole Cutting Carrier Lever with 990D,201524E,350377C and 351860 |
| 50031C | 16356 | Buttonhole Cutting Carrier Lever Adjusting Screw Stud |
| 201711C | 16356 | Buttonhole Cutting Carrier Lever Adjusting Screw Stud Nut |
| 39541 | 16356 | Buttonhole Cutting Carrier Lever Adjusting Screw Stud Nut Washer |
| 250022 | 16356 | Buttonhole Cutting Carrier Lever Adjusting Screw Stud Sleeve |
| 351860 | 16356 | Buttonhole Cutting Carrier Lever Roller |
| 990D | 16356 | " " " " " Cap Screw |
| 350377C | 16356 | Buttonhole Cutting Carrier Lever Roller Screw Stud |
| 201524E | 16356 | Buttonhole Cutting Carrier Lever Roller Screw Stud Nut |
| 232038 | 16356 | Buttonhole Cutting Carrier Lever Slide Block |
| 250023 | 16408 | Buttonhole Cutting Disengaging Lever |
| 57C | 16408 | " " " " Hinge Screw |
| 203213 | 16408 | Buttonhole Cutting Disengaging Lever Spring |
| 250592 | 16408 | Buttonhole Cutting Disengaging Push Rod |
| 2273 | 16408 | " " " " " Pin |
| 255171 | 16406 | Buttonhole Cutting Driving Wheel with 446E |
| 255544 | 16406 | Buttonhole Cutting Driving Wheel Lock |
| 232044 | 16406 | " " " " " Spring |
| 200051E | 16406 | Buttonhole Cutting Driving Wheel Lock Spring Screw |
| 228026 | 16406 | Buttonhole Cutting Driving Wheel Lock Spring Screw Washer |
| 255545 | 16406 | Buttonhole Cutting Driving Wheel Lock Stop Plate |
| 162D | 16406 | Buttonhole Cutting Driving Wheel Lock Stop Plate Screw (2) |
| 255546 | 16406 | Buttonhole Cutting Driving Wheel Lock Stop Plate Screw Lock Washer (2) |
| 232150 | 16406 | Buttonhole Cutting Driving Wheel Position Pin |
| 446E | 16406 | Buttonhole Cutting Driving Wheel Set Screw |
| 254055 | 16432 | Buttonhole Cutting Knife (.126 x .180 eye) |
| 250027 | 16432 | Buttonhole Cutting Knife Adjusting Block |

| No. | Plate | Name |
|---------|-------|---|
| 1100D | 16432 | Buttonhole Cutting Knife Adjusting Block Screw |
| 254154 | 16432 | Buttonhole Cutting Knife Base Plate |
| 201474E | 16403 | " " " " " Ad-justing Screw (2) |
| 1454E | 16432 | Buttonhole Cutting Knife Base Plate Screw |
| 250475 | 16432 | Buttonhole Cutting Knife Clamping Lever |
| 350114C | 16432 | " " " " " Hinge Screw |
| 250030 | 16432 | Buttonhole Cutting Knife Clamping Plate |
| 254155 | 16403 | " " Lever (lower) with 251269 and 251270 |
| 250032 | 16405 | Buttonhole Cutting Lever (lower) Cam with 453C |
| 40025 | 16405 | Buttonhole Cutting Lever (lower) Cam Position Pin |
| 453C | 16405 | Buttonhole Cutting Lever (lower) Cam Set Screw |
| 253608 | 16403 | Buttonhole Cutting Lever (upper) with 232482, 250468, 350111C and two 232483 |
| 251271 | 16405 | Buttonhole Cutting Lever (upper) Cam with 453C |
| 40025 | 16405 | Buttonhole Cutting Lever (upper) Cam Position Pin |
| 453C | 16405 | Buttonhole Cutting Lever (upper) Cam Set Screw |
| 250464 | 16403 | Buttonhole Cutting Lever Bracket with 200089D |
| 250465 | 16403 | Buttonhole Cutting Lever Bracket Arm |
| 50027E | 16403 | " " " " " Screw |
| 250530 | 16403 | Buttonhole Cutting Lever Bracket complete, Nos. 250464, 250465 and two 50027E |
| 255152 | 16403 | Buttonhole Cutting Lever Bracket Gib (left) |
| 250037 | 16403 | Buttonhole Cutting Lever Bracket Gib (right) |
| 232380 | 16403 | Buttonhole Cutting Lever Bracket Gib Adjusting Plate (2) |
| 219E | 16403 | Buttonhole Cutting Lever Bracket Gib Adjusting Plate Screw (4) |
| 206482 | 16403 | Buttonhole Cutting Lever Bracket Gib Adjusting Plate Screw Washer (4) |
| 350304E | 16403 | Buttonhole Cutting Lever Bracket Gib (left) Screw (3) |
| 201176E | 16403 | Buttonhole Cutting Lever Bracket Gib (right) Screw (3) |
| 250038 | 16403 | Buttonhole Cutting Lever Hinge Stud |

| No. | Plate | Name |
|----------|-------|--|
| 200089D | 16403 | Buttonhole Cutting Lever Hinge Stud Set Screw |
| 251263 | 16403 | Buttonhole Cutting Lever Spring |
| 251269 | 16403 | " " " " " Bracket (lower) |
| 251270 | 16403 | Buttonhole Cutting Lever Spring Bracket (lower) Pin |
| 232482 | 16403 | Buttonhole Cutting Lever Spring Bracket (upper) |
| 232483 | 16403 | Buttonhole Cutting Lever Spring Bracket (upper) Pin |
| 250039 | 16432 | Buttonhole Cutting Pressure Wedge with 232056 |
| *201155D | 16432 | Buttonhole Cutting Pressure Wedge Adjusting Screw |
| 250538 | 16432 | Buttonhole Cutting Pressure Wedge Adjusting Screw 201155D with 2273, 201672E, 232054 and 232055 |
| 232054 | 16432 | Buttonhole Cutting Pressure Wedge Adjusting Screw Collar |
| 232055 | 16432 | Buttonhole Cutting Pressure Wedge Adjusting Screw Collar Position Pin |
| 232466 | 16432 | Buttonhole Cutting Pressure Wedge Adjusting Screw Lock Spring |
| 662D | 16432 | Buttonhole Cutting Pressure Wedge Adjusting Screw Lock Spring Screw |
| 201672E | 16432 | Buttonhole Cutting Pressure Wedge Adjusting Screw Nut |
| 2273 | 16432 | Buttonhole Cutting Pressure Wedge Adjusting Screw Nut Pin |
| 232056 | 16432 | Buttonhole Cutting Pressure Wedge Boss |
| 232057 | 16432 | " " " " " Post with 662D and 232466 |
| 200122H | 16432 | Buttonhole Cutting Pressure Wedge Post Screw |
| 256182 | 16405 | Buttonhole Cutting Shaft |
| 255131 | 16405 | " " " " " Hand Crank with 350289C |
| 350290H | 16405 | Buttonhole Cutting Shaft Hand Crank Cap Screw |
| 350289C | 16405 | Buttonhole Cutting Shaft Hand Crank Position Screw |
| 255132 | 16405 | Buttonhole Cutting Shaft Hand Crank Washer |
| 256210 | 16405 | Buttonhole Cutting Shaft Oil Packing (wick) |
| 256211 | 16405 | Buttonhole Cutting Shaft Pulley (loose) with 255021, 255144, 255158, 255168, two each 172D, 183C, 235404 four 21750 and eight 232817 |

| No. | Plate | Name |
|----------|-------|---|
| 256002 | 16405 | Buttonhole Cutting Shaft Pulley Bushing |
| 255168 | 16405 | " " " " Oil Cup |
| 232817 | 16405 | " " " " Stud |
| 256212 | 16405 | " " " " Support Bracket |
| 250397 | 16405 | " " " " " |
| | | Position Pin (2) |
| 145E | 16405 | Buttonhole Cutting Shaft Support Bracket Screw (2) |
| 250042 | 16406 | Buttonhole Cutting Starting Lever with 201085C |
| 232718 | 16406 | Buttonhole Cutting Starting Lever Hinge Stud |
| 200530E | 16406 | Buttonhole Cutting Starting Lever Hinge Stud Set Screw |
| 232064 | 16406 | Buttonhole Cutting Starting Lever Latch |
| 350148D | 16406 | " " " " " |
| | | Hinge Screw |
| 201531E | 16406 | Buttonhole Cutting Starting Lever Latch Hinge Screw Nut |
| 232065 | 16406 | Buttonhole Cutting Starting Lever Latch Spring |
| 201218E | 16406 | Buttonhole Cutting Starting Lever Latch Spring Screw Stud (2) |
| 200E | 16406 | Buttonhole Cutting Starting Lever Latch Stop Screw |
| 250043 | 16406 | Buttonhole Cutting Starting Lever Plate |
| 200577XC | 16406 | " " " " " |
| | | Screw (2) |
| 201085C | 16406 | Buttonhole Cutting Starting Lever Restoring Screw Stud |
| 250456 | 16408 | Buttonhole Cutting Starting Lever Safety Plate |
| 208E | 16408 | Buttonhole Cutting Starting Lever Safety Plate Screw (2) |
| 250044 | 16406 | Buttonhole Cutting Starting Lever Spring |
| 350105E | 16406 | " " " " " |
| | | Screw Stud |
| 250045 | 16408 | Buttonhole Cutting Trip Lever with 460C |
| 250046 | 16408 | " " " " Bracket |
| 232154 | 16408 | " " " " " Posi- |
| | | tion Pin (2) |
| 161D | 16408 | Buttonhole Cutting Trip Lever Bracket Screw (2) |
| 2049 | 16408 | Buttonhole Cutting Trip Lever Position Pin |
| 250047 | 16408 | Buttonhole Cutting Trip Lever Safety Lever with 237F |
| 232343 | 16408 | Buttonhole Cutting Trip Lever Safety Lever Position Pin |

| No. | Plate | Name |
|---------|-------|--|
| 237F | 16408 | Buttonhole Cutting Trip Lever Safety Lever Set Screw |
| 460C | 16408 | Buttonhole Cutting Trip Lever Set Screw |
| 253684 | 16408 | " " " " Shaft |
| 253685 | 16408 | " " " " Spring |
| 201432C | 16408 | " " " " Screw Stud |
| 1521J | 16408 | " " " " " Nut |
| 255062 | 16408 | " " " " " Shim |
| | | (.010 in.thick) |
| 255063 | 16408 | Buttonhole Cutting Trip Screw Stud Shim |
| | | (.025 in.thick) |
| 254113 | 16435 | Cord Leader (upper) |
| 250497 | 16435 | " " " " Gib |
| 223D | 16435 | " " " " Screw |
| 202603 | 16435 | " " " " Washer |
| 252637 | 16435 | " " " " Slide |
| 250499 | 16435 | " " " " Cap Plate |
| 200161D | 16435 | " " " " Screw |
| 250500 | 16435 | " " " " Spring |
| 252532 | 16435 | " " " " Wire |
| 254114 | 16435 | Cord Leader (upper) complete, Nos.223D, 202603, 250497,250499,250500, 252637, 254113 and two 200161D |
| 254056 | 16417 | Cord Leader and Tension |
| 254057 | 16417 | " Nipper |
| 254058 | 16417 | " " " Arm with 201984 |
| 205592 | 16417 | " " " " Position Pin |
| 203E | 16417 | " " " " Screw |
| 253611 | 16417 | " " " Bracket |
| 232310 | 16417 | " " " " Position Pin |
| 171D | 16417 | " " " " Screw (2) |
| 350212E | 16417 | " " " Hinge Screw |
| 201883 | 16417 | " " " Roller |
| 201984 | 16417 | " " " " 201883 with 201235C |
| 201235C | 16417 | " " " " Screw Stud |
| 253612 | 16417 | " " " Spring |
| 665D | 16417 | " " " " Screw |
| 201710D | 16435 | " Spool Adjusting Thumb Nut |
| 350163D | 16435 | " " " " " Clamping |
| | | Screw |
| 350162E | 16435 | Cord Spool Tension Stud |
| 252533 | 16435 | " " " " " Bracket (upper) |
| 252535 | 16435 | " " " " " 252533 with 1520J,10111,10112,201710D,350162E and 350163D |
| 10111 | 16435 | Cord Spool Tension Stud Cone |
| 10112 | 16435 | " " " " " Spring |
| 1520J | 16435 | " " " " " Nut |
| 254115 | 16435 | Cording Device complete, Nos. 252532, 252535 and 254114 |

| No. | Plate | Name |
|---------|-------|---|
| *256004 | ----- | Driving Wheel (loose) |
| 256561 | 16402 | " " 256004 with 250163 and 250398 |
| 256005 | 16402 | Driving Wheel with 200383C |
| 256007 | 16402 | " " Clutch Stud (made in .212, .213, .214 and .215 in.diam., state size required) |
| 8873 | 16402 | Driving Wheel Position Pin |
| 200383C | 16402 | " " Set Screw |
| 256006 | 16402 | " " Stop Cam |
| 251025 | 16402 | " " " " Position Collar with 1036C |
| 1036C | 16402 | Driving Wheel Stop Cam Position Collar Set Screw |
| 250417 | 16402 | Driving Wheel Stop Cam Spring |
| 200096D | 16402 | " " " " " " Position Screw |
| 232520 | 16348 | Face Plate |
| 641D | 16348 | " " Screw (2) |
| 232521 | 16434 | Feed Adjusting Gear |
| 250052 | 16434 | " " " Bracket |
| 250053 | 16434 | " " " " Clamping Post |
| 690D | 16434 | " " " " " " |
| 350113C | 16434 | Feed Adjusting Gear Bracket Clamping Screw |
| 250473 | 16434 | Feed Adjusting Gear Bracket Clamping Screw Washer |
| 201428C | 16434 | Feed Adjusting Gear Screw Stud |
| 1518J | 16434 | " " " " " Nut |
| 250704 | 16368 | " Driving Gear (intermediate) with 457C |
| 232721 | 16368 | Feed Driving Gear (intermediate) Position Pin |
| 457C | 16368 | Feed Driving Gear (intermediate) Set Screw |
| 250055 | 16368 | Feed Driving Gear (intermediate) Shaft |
| 256576 | 16434 | " Wheel with three 232382 |
| 250057 | 16434 | " " Driving Pawl (3) |
| 201385C | 16434 | " " " " Hinge Screw (3) |
| 250058 | 16434 | " " " " Spring (3) |
| 232382 | 16434 | " " " " Pin |
| 1449H | 16434 | " " " " Screw (3) |
| 350071E | 16434 | " " Friction Ring Adjusting Screw |
| 201522E | 16434 | " " " " " " |
| | | Lock Nut |
| 232131 | 16434 | Feed Wheel Friction Ring Adjusting Screw Washer (2) |
| 250059 | 16408 | Feed Wheel Friction Ring Bracket |
| 200070C | 16408 | " " " " " Screw (2) |

| No. | Plate | Name |
|---------|-------|---|
| 250060 | 16434 | Feed Wheel Friction Ring Section (long) |
| 250061 | 16434 | " " " " " (short) |
| 232135 | 16434 | " " " " Spring |
| 256045 | 16434 | " " Ring |
| 256046 | 16434 | " " " Gib (3) |
| 209F | 16434 | " " " Screw (6) |
| 201362C | 16434 | " " Screw Stud |
| 250418 | 16437 | Finger Starting Lever with 250435 and 250436 |
| 250419 | 16437 | Finger Starting Lever Hinge Block |
| 350080D | 16437 | " " " " " Hinge Screw |
| 250420 | 16408 | Finger Starting Lever (intermediate) |
| 255080 | 16408 | " " " " Bracket with 208E and 991C |
| 208E | 16408 | Finger Starting Lever (intermediate) Bracket Pinch Screw |
| 158E | 16408 | Finger Starting Lever (intermediate) Bracket Screw |
| 72D | 16408 | Finger Starting Lever (intermediate) Hinge Screw |
| 646F | 16408 | Finger Starting Lever (intermediate) Operating Stud |
| 251292 | 16408 | Finger Starting Lever (intermediate) Operating Stud Collar with 646F |
| 2273 | 16408 | Finger Starting Lever (intermediate) Operating Stud Collar Position Pin |
| 200097C | 16437 | Finger Starting Lever Screw |
| 228026 | 16437 | " " " " Washer |
| 251518 | 16437 | " " " Spring |
| 250435 | 16437 | " " " Stud (back) |
| 250436 | 16437 | " " " " (front) |
| 232539 | 16368 | Intermittent Feed Driving Wheel with two 465C |
| *256047 | 16368 | Intermittent Feed Driving Wheel Bracket |
| 232244 | 16368 | " " " " " " Position Pin (2) |
| 129E | 16368 | Intermittent Feed Driving Wheel Bracket Screw (4) |
| 250589 | 16368 | Intermittent Feed Driving Wheel Driving Stud |
| 204648 | 16368 | Intermittent Feed Driving Wheel Driving Stud Position Pin |
| 232541 | 16368 | Intermittent Feed Driving Wheel Position Pin |
| 465C | 16368 | Intermittent Feed Driving Wheel Set Screw |
| 232542 | 16368 | Intermittent Feed Driving Wheel Shaft |
| 250705 | 16368 | " " " " " Gear with 465C |

| No. | Plate | Name |
|---------|-------|---------------------------------------|
| 232721 | 16368 | Intermittent Feed Driving Wheel Shaft |
| | | Gear Position Pin |
| 465C | 16368 | Intermittent Feed Driving Wheel Shaft |
| | | Gear Set Screw |
| 253615 | 16422 | Loop Retainer (left) |
| 256049 | 16422 | " " " Carrier |
| 256050 | 16422 | " " (right) |
| 256051 | 16422 | " " " Carrier |
| 250068 | 16422 | " " Adjusting Block (2) |
| 256052 | 16402 | " " Cam with 447E |
| 40025 | 16402 | " " " Position Pin |
| 447E | 16402 | " " " Set Screw |
| 250070 | 16422 | " " Carrier Link (2) |
| 201431C | 16422 | " " " " Screw (4) |
| 250071 | 16422 | " " " Shaft |
| 250072 | 16422 | " " " " Collar |
| 735E | 16422 | " " " " Set Screw |
| 256008 | 16422 | " " Driving Bar |
| 201726C | 16422 | " " " " Adjusting Nut (3) |
| 256009 | 16422 | " " " " " " " |
| | | Washer (2) |
| 201728C | 16422 | Loop Retainer Driving Bar Lock Nut |
| 350388H | 16422 | " " Screw (2) |
| 250491 | 16422 | " " Washer (2) |
| 250074 | 16422 | " " Shim (.005 in.thick) |
| 250449 | 16422 | " " " (.010 in.thick) |
| 250450 | 16422 | " " " (.020 in.thick) |
| 250537 | 16422 | " " " (.030 in.thick) |
| 256010 | 16402 | " " Slide with 201943 |
| 250076 | 16402 | " " " Gib (lower) (2) |
| 250077 | 16402 | " " " " (upper) (2) |
| 190D | 16402 | " " " " Screw (6) |
| *250078 | 16402 | " " " Guide Extension |
| 40025 | 16402 | " " " " " " Position |
| | | Pin (2) |
| 127D | 16402 | Loop Retainer Slide Guide Extension |
| | | Screw (2) |
| 201896 | 16402 | Loop Retainer Slide Roller |
| 201943 | 16402 | " " " " " 201896 with |
| | | 250429 |
| 250429 | 16402 | Loop Retainer Slide Roller Stud |
| 256053 | 16422 | Looper Bracket with 735E |
| 253472 | 16422 | " (non-threaded) |
| 252507 | 16422 | " (threaded) |
| 201722C | 16422 | " Bracket Adjusting Nut |
| 201722C | 16422 | " " " " Locking Nut |
| 254060 | 16424 | " " Chip Guard |
| 401D | 16424 | " " " Screw (3) |
| 254061 | 16423 | " " " Wiper (leather) |
| 254062 | 16423 | " " " " Bracket |

| No. | Plate | Name |
|---------|-------|--|
| 217D | 16423 | Looper Bracket Chip Wiper Bracket Screw |
| 254063 | 16423 | " " " " Clamping Plate |
| 233D | 16423 | " " " " Screw (2) |
| 254064 | 16423 | Looper Bracket Chip Wiper complete, Nos. |
| | | 254061 to 254063 and two 233D |
| 23421 | 16422 | Looper Bracket Dogging Hole Plug (leath- |
| | | er) |
| 232555 | 16422 | Looper Bracket Rotating Gear with 906E |
| 250094 | 16422 | " " " " Position Pin |
| 906E | 16422 | " " " " Set Screw |
| 250095 | 16422 | " Carrier |
| 201433C | 16422 | " " Hinge Screw |
| 250086 | 16422 | " " Link |
| 201099C | 16422 | " " " Hinge Screw (2) |
| 256011 | 16422 | " Driving Bar |
| 201727C | 16422 | " " " Adjusting Nut (4) |
| 256012 | 16422 | " " " " Washer (2) |
| 256013 | 16424 | " " Connection with 1120C |
| 1120C | 16424 | " " " Set Screw |
| 250089 | 16424 | " " " Slide Rod |
| 250090 | 16424 | " " " " Bushing (lower) |
| 250091 | 16424 | " " " " " (upper) |
| 256015 | 16424 | " " Crank |
| 256016 | 16424 | " " " Bushing |
| 200089E | 16424 | " " " " Screw (2) |
| 256017 | 16424 | " " " Link |
| 250094 | 16424 | " " " Gear with 735E |
| 250095 | 16424 | " " " " Position Pin |
| 735E | 16424 | " " " " Set Screw |
| 199C | 16424 | " " " Link Cap Screw |
| 750276C | 16424 | " " " " Hinge Screw |
| 250097 | 16424 | " " Disc |
| 256014 | 16424 | " " " Bearing |
| 51311E | 16424 | " " " " Screw (3) |
| 350365C | 16424 | " " " Cap Screw |
| 250098 | 16424 | " " Gear |
| 176D | 16424 | " " " Screw (3) |
| 201398 | 16402 | " " Roller |
| 201953 | 16402 | " " " 201398 with 201144E and |
| | | 250099 (2) |
| 201144E | 16402 | Looper Driving Roller Cap Screw |
| 250099 | 16402 | " " " Stud |
| 256551 | 16424 | " Frame |
| 250462 | 16424 | " " Chip Guard |
| 232866 | 16424 | " " Position Pin (2) |
| 201082E | 16424 | " " Screw (3) |
| 190D | 16422 | " Screw (2) |
| 250101 | 16422 | " " Washer (2) |
| 232270 | 16438 | " Thread and Cord Clamping Spring |
| | | (long) |

| No. | Plate | Name |
|---------|-------|--|
| 232271 | 16438 | Looper Thread and Cord Clamping Spring (short) |
| 200186B | 16438 | Looper Thread and Cord Clamping Spring Screw |
| 232272 | 16438 | Looper Thread and Cord Cutter |
| 200186B | 16438 | " " " " " Screw |
| 256054 | 16424 | " " Controller |
| 256055 | 16424 | " " " Bracket (adjustable) |
| 1423F | 16424 | " " " " " Screw (2) |
| 217D | 16424 | Looper Thread Controller Screw (2) |
| 18859 | 16424 | " " Guide |
| 254109 | 16423 | " " Pull-off (adjustable) |
| 254111 | 16423 | Looper Thread Pull-off complete, Nos. 1056F, 250444, 254109 and 254110 |
| 254110 | 16423 | Looper Thread Pull-off Bracket |
| 254069 | 16423 | " " " " " Stop |
| 203E | 16423 | " " " " " Screw |
| 254070 | 16423 | " " " Cam Plate |
| 202F | 16423 | " " " " " Screw (2) |
| 1550J | 16423 | " " " " " Nut (2) |
| 68D | 16423 | " " " Hinge Screw |
| 253622 | 16423 | " " " Pawl |
| 1449H | 16423 | " " " " Hinge Screw |
| 253623 | 16423 | " " " " Spring |
| 1056F | 16423 | " " " " Screw |
| 250444 | 16423 | " " " " Washer |
| 254112 | 16423 | " " " " Spring |
| 32012 | 16424 | " " " Tension Disc (2) |
| 254065 | 16424 | " " " " Guard |
| 253530 | 16415 | " " " " Releaser |
| 253531 | 16415 | " " " " Lever |
| 350224E | 16415 | " " " " " Hinge Screw |
| 253532 | 16415 | " " " " " Rod |
| 253535 | 16415 | " " " " " Collar with 237F (2) |
| 237F | 16415 | Looper Thread Tension Releaser Lever Rod Collar Set Screw |
| 251170 | 16415 | Looper Thread Tension Releaser Lever Spring |
| 1550J | 16415 | Looper Thread Tension Releaser Nut |
| 7071 | 16415 | " " " " " Washer |
| 253534 | 16365 | " " " " " Operating Cam Block with 219F |
| 219F | 16365 | Looper Thread Tension Releaser Operating Cam Block Set Screw |
| 253533 | 16415 | Looper Thread Tension Releaser Operating Lever with 237F |
| 237F | 16415 | Looper Thread Tension Releaser Operating Lever Set Screw |

| No. | Plate | Name |
|---------|-------|---|
| 232515 | 16424 | Looper Thread Tension Spring |
| 1043C | 16424 | " " " " Stud |
| 171E | 16424 | " " " " " Set Screw |
| 1560C | 16424 | " " " " " Thumb Nut |
| 232516 | 16426 | " " " Tube (brass) |
| 251622 | 16426 | " " " " Bracket (2) |
| 190D | 16426 | " " " " " Screw (2) |
| 32012 | 16426 | Lower Cord Tension Disc |
| 232515 | 16426 | " " " " Spring |
| 637C | 16426 | " " " " Stud |
| 1560C | 16426 | " " " " Thumb Nut |
| 232516 | 16426 | " " " Tube (brass) |
| 254071 | 16426 | " " " " (vertical) |
| 250451 | 16426 | " " " " " Bracket |
| 217D | 16426 | " " " " " " Screw |
| 250105 | 16348 | Needle Bar Driving Crank with 200394C and two 200382C |
| 40025 | 16348 | Needle Bar Driving Crank Position Pin |
| 200394C | 16348 | " " " " " Set Screw |
| 256183 | 16416 | " " Driving Bar with 620C |
| 232177 | 16416 | " " " " Bushing |
| 232176 | 16416 | " " " " Collar with 200083E |
| 200083E | 16416 | " " " " " Pinch Screw |
| 232178 | 16348 | " " " " Link |
| 232709 | 16348 | " " " " " Hinge Stud with 222598 |
| 222598 | 16348 | Needle Driving Bar Link Hinge Stud Oil Packing (wick) |
| 200382C | 16348 | Needle Driving Bar Link Hinge Stud Set Screw |
| 250108 | 16348 | Needle Driving Bar Swivel with 248821 |
| 248821 | 16348 | " " " " " Oil Packing (wick) |
| 256087 | 16422 | Needle Guard |
| 230E | 16422 | " " " " Screw |
| 270E | 16422 | " " " " (support end) |
| 256190 | 16416 | " " Holder with 906F |
| 201482D | 16416 | " " " Gauge Plate Adjusting Screw |
| 250112 | 16416 | " " " " " Block |
| 201670C | 16416 | " " " " " " Adjusting Nut |
| 201670C | 16416 | " " " " " " " " Lock Nut |
| 256066 | 16416 | Needle Holder Gauge Plate Block Bushing |
| 181D | 16416 | " " " " " " " " Screw (3) |
| 256059 | 16416 | Needle Holder Gauge Plate Body |
| 256060 | 16416 | " " " " " " Center Plate (for narrow bight) |
| 350379D | 16416 | Needle Holder Gauge Plate Clamping Screw |
| 1550J | 16416 | " " " " " " " " Nut |

| No. | Plate | Name |
|---------|-------|---|
| 200118F | 16416 | Needle Holder Gauge Plate Screw (2) |
| 256061 | 16416 | " " " " Shim |
| 256064 | 16416 | " " " " Side Plate (left) |
| 256062 | 16416 | Needle Holder Gauge Plate Side Plate (right) |
| 256063 | 16416 | Needle Holder Gauge Plate (for narrow bight) complete, Nos. 256059, 256060, 256062, 256064, two each 1550J, 256061 and 350379D |
| 208E | 16416 | Needle Holder Screw (2) |
| 256181 | 16416 | " " Slide |
| 256068 | 16416 | " " " Lever with 256069 and 351861 |
| 350147C | 16416 | Needle Holder Slide Lever Hinge Screw |
| 351861 | 16416 | " " " " Roller |
| 256069 | 16416 | " " " " Stud |
| 256203 | 16416 | " " " " Stud |
| 350416E | 16416 | " " " " " Screw |
| 256204 | 16416 | " " " " " Washer |
| 256184 | 16416 | " " " Stud |
| 620C | 16416 | " " " Set Screw |
| 250117 | 16416 | " Rotating Gear with 735E |
| 250118 | 16416 | " " " Key |
| 735E | 16416 | " " " Set Screw |
| 906F | 16416 | " Set Screw |
| 253694 | 16418 | " Thread End Removing Finger |
| 253695 | 16418 | " " " " " Bracket |
| 253696 | 16418 | " " " " " " 253695 with 253634 and 253694 |
| 219E | 16418 | Needle Thread End Removing Finger Brack- et Screw |
| 253632 | 16417 | Needle Thread End Removing Finger Cam Plate (adjustable) |
| 190D | 16417 | Needle Thread End Removing Finger Cam Plate (adjustable) Screw (2) |
| 7071 | 16417 | Needle Thread End Removing Finger Cam Plate (adjustable) Screw Washer (2) |
| 254072 | 16417 | Needle Thread End Removing Finger Cam Plate (stationary) |
| 164D | 16417 | Needle Thread End Removing Finger Cam Plate (stationary) Screw (2) |
| 253634 | 16418 | Needle Thread End Removing Finger Hinge Pin |
| 253635 | 16418 | Needle Thread End Removing Finger Open- ing Lever |
| 253636 | 16418 | Needle Thread End Removing Finger Open- ing Lever Crank with 735C |
| 2273 | 16418 | Needle Thread End Removing Finger Open- ing Lever Crank Position Pin |

| No. | Plate | Name |
|---------|-------|--|
| 735C | 16418 | Needle Thread End Removing Finger Open- ing Lever Crank Set Screw |
| 253637 | 16418 | Needle Thread End Removing Finger Open- ing Lever Spring |
| 232348 | 16418 | Needle Thread End Removing Finger Open- ing Lever Stop Pin |
| 253638 | 16418 | Needle Thread End Removing Finger Spring |
| 250119 | 16410 | " " Guide |
| 232792 | 16410 | " " Leader |
| 1664E | 16410 | " " " Nut |
| 256200 | 16410 | " " Pull-off (adjustable) |
| 1550J | 16410 | " " " " Lock Nut |
| 256552 | 16433 | " " " Bell Crank |
| 350400C | 16433 | " " " " " Hinge Screw |
| 201896 | 16433 | " " " " " Roller |
| 201978 | 16433 | " " " " " " 201896 with 201429C |
| 201429C | 16433 | Needle Thread Pull-off Bell Crank Roller Screw Stud |
| 256553 | 16433 | Needle Thread Pull-off Bell Crank Spring |
| 253702 | 16433 | " " " " " Stop Pin |
| 256554 | 16433 | " " " Bracket with 253702 and two 453C |
| 453C | 16433 | Needle Thread Pull-off Bracket Set Screw |
| 256555 | 16433 | " " " " Finger |
| 256556 | 16433 | " " " " Clamping Plate |
| 256577 | 16433 | " " " " Guard Block |
| 1454E | 16433 | " " " " " Screw |
| 208D | 16433 | " " " " " Screw |
| 253715 | 16416 | " " Retaining Spring |
| 253716 | 16416 | " " " " " Guard |
| 240D | 16416 | " " " " " Screw |
| 256070 | 16410 | " " Take-up with 201374E and 201937 |
| 256072 | 16410 | Needle Thread Take-up Bracket |
| 256073 | 16410 | " " " " " Cover |
| 1423F | 16410 | " " " " " Screw (4) |
| 250399 | 16410 | Needle Thread Take-up Bracket Position Pin |
| 161D | 16410 | Needle Thread Take-up Bracket Screw (3) |
| 256074 | 16410 | " " " " Cam with two 457C |
| 232721 | 16410 | " " " " Position Pin |
| 457C | 16410 | " " " " Set Screw |
| 256075 | 16410 | " " " " Shaft |
| 232673 | 16410 | " " " " " Gear |
| 40025 | 16410 | " " " " " " Posi- tion Pin |
| 448C | 16410 | Needle Thread Take-up Cam Shaft Gear Set Screw |

| No. | Plate | Name |
|---------|-------|--|
| 350268C | 16410 | Needle Thread Take-up Hinge Screw |
| 201873 | 16410 | " " " Roller |
| 201937 | 16410 | " " " " 201873 with 201144E and 232686 |
| 201144E | 16410 | Needle Thread Take-up Roller Cap Screw |
| 232686 | 16410 | " " " " Stud |
| 201374E | 16410 | " " " " " Cap Screw |
| 256071 | 16410 | " " " Thread Guide |
| 1423F | 16410 | " " " " " Screw (2) |
| 32012 | 16410 | " " Tension Disc (2) |
| 991C | 16412 | " " Releasing Adjusting Screw |
| 1550J | 16412 | Needle Thread Tension Releasing Adjust- ing Screw Nut |
| 256076 | 16410 | Needle Thread Tension Releasing Arm |
| 974F | 16410 | " " " " " Hinge Screw |
| 256189 | 16412 | Needle Thread Tension Releasing Block with 200F |
| 200E | 16412 | Needle Thread Tension Releasing Block Set Screw |
| 32572 | 16410 | Needle Thread Tension Releasing Disc |
| 256077 | 16412 | " " " " Lever |
| 255010 | 16412 | " " " " Bracket |
| 200346C | 16412 | " " " " " " Adjusting Screw |
| 145E | 16412 | Needle Thread Tension Releasing Lever Bracket Screw (lower) |
| 200062H | 16412 | Needle Thread Tension Releasing Lever Bracket Screw (upper) |
| 35D | 16412 | Needle Thread Tension Releasing Lever Hinge Screw |
| 255011 | 16412 | Needle Thread Tension Releasing Lever Spring |
| 39635 | 16410 | Needle Thread Tension Releasing Pin |
| 256190 | 16412 | " " " " Rod |
| 256191 | 16412 | " " " " " Bracket |
| 190D | 16412 | " " " " " " Screw (2) |
| 256020 | 16412 | Needle Thread Tension Releasing Rod Plate |
| 792D | 16412 | Needle Thread Tension Releasing Rod Plate Screw (2) |
| 208E | 16412 | Needle Thread Tension Releasing Rod Screw |
| 350399C | 16410 | Needle Thread Tension Stud |
| 256185 | 16410 | " " " Spring |
| 1560C | 16410 | " " " Thumb Nut |
| 250140 | 16348 | " Vibrating Adjusting Link |
| 741C | 16348 | " " " " Hinge Screw |

| No. | Plate | Name |
|---------|-------|---|
| 350076C | 16348 | Needle Vibrating Adjusting Stud |
| 1671C | 16348 | " " " " Nut |
| 39532 | 16348 | " " " " Sleeve |
| 255126 | 16348 | " " Bell Crank |
| 250142 | 16348 | " " " Connection |
| *38444 | ----- | " " " " End Bear- ing (back) |
| 38446 | 16348 | Needle Vibrating Bell Crank Connection End Bearing 38444 with 42524, 50016C and two 175E |
| 50016C | 16348 | Needle Vibrating Bell Crank Connection End Bearing (back) Ball Screw Stud |
| 1636E | 16348 | Needle Vibrating Bell Crank Connection End Bearing (back) Ball Screw Stud Nut |
| *42524 | ----- | Needle Vibrating Bell Crank Connection End Bearing (back) Cap |
| 175E | 16348 | Needle Vibrating Bell Crank Connection End Bearing (back) Cap Screw |
| 1698C | 16348 | Needle Vibrating Bell Crank Connection End Bearing (back) Check Nut |
| *38443 | ----- | Needle Vibrating Bell Crank Connection Bearing (front) |
| 250143 | 16348 | Needle Vibrating Bell Crank Connection End Bearing 38443 with 42525, 201449C and two 175E |
| 201449C | 16348 | Needle Vibrating Bell Crank Connection End Bearing (front) Ball Screw |
| *42525 | ----- | Needle Vibrating Bell Crank Connection End Bearing (front) Cap |
| 175E | 16348 | Needle Vibrating Bell Crank Connection End Bearing (front) Cap Screw |
| 1697C | 16348 | Needle Vibrating Bell Crank Connection End Bearing (front) Check Nut |
| 350282C | 16348 | Needle Vibrating Bell Crank Hinge Screw |
| 256078 | 16368 | " " Lever |
| 256079 | 16368 | " " " Hinge Stud |
| 443C | 16368 | " " " " " Set Screw |
| 256178 | 16416 | " " Ring with 462C |
| 232421 | 16416 | " " Guide Stud |
| 200083E | 16416 | " " " " Set Screw |
| 232343 | 16416 | " " " Position Pin |
| 462C | 16416 | " " " Set Screw |
| 256179 | 16416 | " " Rod |
| 250146 | 16416 | " " Guide with 1230E |
| 232343 | 16416 | " " " Position Pin |
| 1230E | 16416 | " " " Set Screw |
| 256080 | 16416 | " " Switch |
| 200308D | 16416 | " " " Hinge Screw |

| No. | Plate | Name |
|---------|-------|---|
| 254084 | 16436 | Pattern Wheel, for 3/4 in. Taper Bar (extra large eye) Buttonhole, .050 in. cutting space, bar adjustable from 1/8 to 3/8 in., with 256205 and two 205D |
| 201668E | 16426 | Pattern Wheel Clamping Nut |
| 256205 | 16436 | " " Position Plate |
| 205D | 16436 | " " " " Screw |
| 250148 | 16426 | " " " Stud |
| 250372 | 16436 | " " Rapid Feed Trip Point |
| 203E | 16436 | " " " " " " Screw |
| 252260 | 16436 | " " Ring (adjustable) |
| 254089 | 16436 | " " " 252260 with 252662, 252663, two each 211E and 250444 |
| 252662 | 16436 | Pattern Wheel Ring Adjusting Segment (curved rise) |
| 252663 | 16436 | Pattern Wheel Ring Adjusting Segment (straight drop) |
| 211E | 16436 | Pattern Wheel Ring Adjusting Segment Screw |
| 250444 | 16436 | Pattern Wheel Ring Adjusting Segment Screw Washer |
| 391D | 16436 | Pattern Wheel Ring Screw |
| 254085 | 16436 | Pattern Wheel, for 3/4 in. Taper Bar (extra large eye) Buttonhole, .050 in. cutting space, bar adjustable from 1/8 to 3/8 in., complete, Nos. 254084, 254089 two each 203E, 250372 and three 391D |
| 251298 | 16426 | Pattern Wheel Shaft with 250148 |
| 253645 | 16426 | " " " Bevel Gear with 168D, 253656, 253657, three 253658 and four 1454E |
| 40025 | 16426 | Pattern Wheel Shaft Bevel Gear Position Pin |
| 168D | 16426 | Pattern Wheel Shaft Bevel Gear Set Screw |
| 250151 | 16426 | " " " Bushing (left) |
| 145E | 16426 | " " " " " " Screw (2) |
| 250152 | 16426 | " " " " " " (right) |
| 647E | 16426 | " " " " " " Screw (2) |
| 232600 | 16426 | " " " Collar with two 453C |
| 453C | 16426 | " " " " " " Set Screw |
| 250154 | 16426 | Rapid Feed Clutch Disengaging Lever (3) |
| 253481 | 16426 | " " " " " Sleeve |
| 250156 | 16426 | " " " Driving Disc |
| 1230F | 16426 | " " " " " " Screw (4) |
| 201897 | 16426 | " " " Roller (3) |
| 255095 | 16426 | " " " " " Carrier with 624E |
| 40025 | 16426 | " " " " " Position Pin |
| 624E | 16426 | " " " " " Set Screw |
| 250153 | 16426 | " " " " " Retainer (3) |

| No. | Plate | Name |
|---------|-------|--|
| 208E | 16426 | Rapid Feed Clutch Roller Retainer Screw (3) |
| 255096 | 16426 | Rapid Feed Clutch Roller Spring (3) |
| 255097 | 16426 | " " " " " " Guide Pin (3) |
| 250158 | 16367 | Rapid Feed Crank Shaft |
| 250159 | 16367 | " " " " Bushing (back) |
| 250160 | 16367 | " " " " " " " 011 Tube (lower) (brass) |
| 250495 | 16367 | Rapid Feed Crank Shaft Bushing (back) 011 Tube (upper) (brass) |
| 250161 | 16367 | Rapid Feed Crank Shaft Bushing (front) |
| 436C | 16367 | " " " " " " Set Screw (2) |
| 232600 | 16367 | Rapid Feed Crank Shaft Collar with two 453C |
| 453C | 16367 | Rapid Feed Crank Shaft Collar Set Screw |
| 250452 | 16367 | " " " " " Gear with 458C |
| 232719 | 16367 | " " " " " Position Pin |
| 458C | 16267 | " " " " " Set Screw |
| 202260 | 16367 | " " " " " Oil Packing (wick) (2) |
| 250163 | 16402 | Rapid Feed Driving Gear |
| 250398 | 16402 | " " " " " Key |
| 250164 | 16364 | " " Gear Guard |
| 641D | 16364 | " " " " " Screw (2) |
| 250534 | 16364 | " " Intermediate Gear (bronze) |
| 201447C | 16364 | " " " " " Screw Stud |
| 1510E | 16364 | " " " " " " " Nut |
| 250167 | 16364 | " " " " " " " Washer |
| 250405 | 16364 | Rapid Feed Intermediate Gear Screw Stud Washer |
| 252266 | 16372 | Rapid Feed Slide Bar |
| 250174 | 16372 | " " " " " Bushing (left) |
| 145E | 16372 | " " " " " " " Screw (2) |
| 250175 | 16372 | Rapid Feed Slide Bar Bushing (right) |
| 647E | 16372 | " " " " " " " Screw (2) |
| 252269 | 16372 | Rapid Feed Slide Bar Collar with 448C |
| 40025 | 16372 | " " " " " " Position Pin |
| 448C | 16372 | " " " " " " Set Screw |
| 253538 | 16372 | " " " " " Fork Connection Extension Plate |
| 176D | 16372 | Rapid Feed Slide Bar Fork Connection Extension Plate Screw (2) |
| 350321E | 16372 | Rapid Feed Slide Bar Fork Connection Position Screw |
| 256065 | 16372 | Rapid Feed Slide Bar Fork Connection with 889C |

| No. | Plate | Name |
|---------|-------|---|
| 889C | 16372 | Rapid Feed Slide Bar Fork Connection Set Screw |
| 350385C | 16372 | Rapid Feed Slide Bar Fork Connection Screw Stud |
| 252306 | 16367 | Rapid Feed Slide Bar Lock |
| 252271 | 16367 | " " " " " " Block |
| 232055 | 16367 | " " " " " " " Position Pin |
| 704E | 16367 | Rapid Feed Slide Bar Lock Block Screw |
| 350262E | 16367 | " " " " " " Hinge Screw |
| 250409 | 16367 | " " " " " " Spring |
| 1241E | 16372 | " " " " " " " Screw Eye |
| 250194 | 16367 | " " " " " " Trip |
| 56C | 16367 | " " " " " " Hinge Screw |
| 252273 | 16372 | " " " " " " Spring |
| 350293E | 16372 | " " " " " " Cap Screw |
| 252274 | 16372 | " " " " " " Washer |
| 250180 | 16421 | " " Starting Latch |
| 199C | 16421 | " " " " " " Cap Screw |
| 201446C | 16421 | " " " " " " Hinge Screw Stud |
| 250181 | 16421 | " " " " " " Lever with 1454E |
| 255053 | 16421 | " " " " " " (operated by stop motion) with 704C, 1454E, 203213 and 255054 |
| 255064 | 16421 | Rapid Feed Starting Lever Latch |
| 350256C | 16421 | " " " " " " Hinge Screw |
| 255092 | 16421 | Rapid Feed Starting Lever Latch Spring |
| 217E | 16421 | " " " " " " " Screw |
| 7071 | 16421 | Rapid Feed Starting Lever Latch Spring Screw Washer |
| 253512 | 16421 | Rapid Feed Starting Lever Latch Stop Washer |
| 193D | 16421 | Rapid Feed Starting Lever Latch Stop Washer Screw |
| 1330C | 16407 | Rapid Feed Starting Lever Operating Screw Stud |
| 201445E | 16421 | Rapid Feed Starting Lever Position Screw (2) |
| 1454E | 16421 | Rapid Feed Starting Lever Set Screw |
| 250185 | 16421 | " " " " " " Shaft |
| 250186 | 16421 | " " " " " " Collar (left) with 200113F |
| 204197 | 16421 | Rapid Feed Starting Lever Shaft Collar (right) with 200113F |
| 200113F | 16421 | Rapid Feed Starting Lever Shaft Collar Set Screw |
| 250409 | 16421 | Rapid Feed Starting Lever Spring |
| 1241E | 16421 | " " " " " " Screw Eye |

| No. | Plate | Name |
|---------|-------|---|
| 255054 | 16421 | Rapid Feed Starting Lever Stud |
| 704C | 16421 | " " " " " " Set Screw |
| 203213 | 16421 | " " " " " " Spring |
| 253537 | 16367 | " " " " " " Pawl |
| 253536 | 16367 | " " " " " " Bell Crank with 202299 |
| 11C | 16367 | Rapid Feed Starting Pawl Bell Crank Hinge Screw |
| 202299 | 16367 | Rapid Feed Starting Pawl Bell Crank Oil Packing (wick) |
| 250171 | 16367 | Rapid Feed Starting Pawl Bell Crank Slide Block Section (2) |
| 250172 | 16367 | Rapid Feed Starting Pawl Guide |
| 181D | 16367 | " " " " " " Screw (2) |
| 350260C | 16367 | " " " " " " Hinge Screw |
| 1685E | 16367 | " " " " " " Nut |
| 256177 | 16367 | " " " " " " Oiling Pad (felt) |
| 181D | 16367 | " " " " " " " Screw |
| 9525 | 16367 | " " " " " " " Washer |
| 250138 | 16367 | Rapid Feed Starting Pawl Spring |
| 201454E | 16368 | " " " " " " " Screw Eye |
| 1521E | 16368 | " " " " " " " " Nut |
| 250189 | 16421 | Rapid Feed Starting Trip Lever with 1454E |
| 251623 | 16421 | Rapid Feed Starting Trip Lever Overthrow Stop |
| 350229E | 16421 | Rapid Feed Starting Trip Lever Overthrow Stop Screw |
| 7071 | 16421 | Rapid Feed Starting Trip Lever Overthrow Stop Screw Washer |
| 201445E | 16421 | Rapid Feed Starting Trip Lever Position Screw |
| 201437C | 16421 | Rapid Feed Starting Trip Lever Screw Stud |
| 1454E | 16421 | Rapid Feed Starting Trip Lever Set Screw |
| 255123 | 16364 | " " " " " " Tripping Pawl |
| 1410D | 16364 | " " " " " " Cap Screw |
| 255124 | 16364 | " " " " " " Lever |
| 250432 | 16364 | " " " " " " Bracket |
| 232154 | 16364 | " " " " " " " Position Pin (2) |
| 350110C | 16364 | Rapid Feed Tripping Pawl Lever Bracket Screw |
| 14017 | 16364 | Rapid Feed Tripping Pawl Lever Bracket Screw Washer |
| 72C | 16364 | Rapid Feed Tripping Pawl Lever Hinge Screw |

| No. | Plate | Name |
|---------|-------|--|
| 256167 | 16364 | Rapid Feed Tripping Pawl Spring |
| 250195 | 16367 | " " Worm with 453C |
| 25362 | 16367 | " " " Ball |
| 250196 | 16367 | " " " " Bearing Cup |
| 225007 | 16367 | " " " " Retainer with eight 25362 |
| 232244 | 16367 | Rapid Feed Worm Position Pin |
| 453C | 16367 | " " " Set Screw |
| 250197 | 16426 | " " " Wheel |
| 250198 | 16426 | " " " " Collar with two 453C |
| 453C | 16426 | " " " " Set Screw |
| 202244 | 16426 | " " " " Oil Packing (wick) |
| 256196 | 16409 | Starting and Retaining Latch with 201160E |
| 255136 | 16409 | Starting and Retaining Latch Crank with 209F and 1819 |
| 2269 | 16409 | Starting and Retaining Latch Crank Posi- tion Pin |
| 1819 | 16409 | Starting and Retaining Latch Crank Rol- ler and Stud |
| 209F | 16409 | Starting and Retaining Latch Crank Set Screw |
| 255157 | 16409 | Starting and Retaining Latch Spring |
| 201160E | 16409 | " " " " " Screw Eye (2) |
| 255158 | 16405 | Starting and Retaining Latch Tripping Block |
| 235404 | 16405 | Starting and Retaining Latch Tripping Block Pin |
| 183C | 16405 | Starting and Retaining Latch Tripping Block Screw |
| 255138 | 16409 | Starting Bell Crank with 201160E |
| 350291C | 16409 | " " " Hinge Screw |
| 250202 | 16408 | " Rod |
| 250203 | 16408 | " " Block with 203E |
| 2273 | 16408 | " " " Position Pin |
| 203E | 16408 | " " " Set Screw |
| 40043 | 16408 | " " Collar with 209C (2) |
| 209C | 16408 | " " " Set Screw |
| 250204 | 16408 | " " Lock |
| 946D | 16408 | " " " Hinge Screw |
| 250205 | 16408 | " " " Spring |
| 213D | 16408 | " " " " Screw |
| 250206 | 16408 | " " " " " Washer |
| 250207 | 16408 | " " Safety Lock |
| 38D | 16408 | " " " " Hinge Screw |
| 226467 | 16408 | " " " " " Washer |
| 250423 | 16408 | " " Spring |
| 201160E | 16408 | " " " Screw Eye |
| 250210 | 16368 | Stitch Regulating Gear, 22 teeth |

| No. | Plate | Name |
|--|-------|---|
| 250211 | 16368 | Stitch Regulating Gear 26 teeth |
| 250212 | 16368 | " " " 28 teeth |
| 250598 | 16368 | " " " 30 teeth |
| Note: No. 250598 is furnished with this machine un- less another Stitch Regulating Gear is specified on order. | | |
| 250213 | 16368 | Stitch Regulating Gear, 33 teeth |
| 250214 | 16368 | " " " 34 teeth |
| 250415 | 16368 | " " " 38 teeth |
| 250478 | 16368 | " " " 42 teeth |
| 201660C | 16368 | " " " Lock Nut |
| 256081 | 16355 | " Rotating Lever (lower) with 458C |
| 201442C | 16355 | " " " " Position Screw |
| 351862 | 16355 | " " " " Roller |
| 350378C | 16355 | " " " " " Screw Stud |
| 201666E | 16355 | " " " " " " " " |
| Nut | | |
| 458C | 16355 | Stitch Rotating Lever (lower) Set Screw |
| 232591 | 16433 | " " " (upper) with 448C |
| 40025 | 16433 | " " " " Position Pin |
| 448C | 16433 | " " " " Set Screw |
| 232807 | 16355 | " " " " Connection (front section) (lower) |
| 232593 | 16433 | Stitch Rotating Lever Connection (front section) (upper) |
| 232808 | 16355 | Stitch Rotating Lever Connection (rear section) (lower) |
| 232592 | 16433 | Stitch Rotating Lever Connection (rear section) (upper) |
| 58F | 16355 | Stitch Rotating Lever Connection Hinge Screw (4) |
| 172D | 16355 | Stitch Rotating Lever Connection Screw (lower) |
| 39504 | 16355 | Stitch Rotating Lever Connection Screw Washer (lower) |
| 193D | 16433 | Stitch Rotating Lever Connection Screw (upper) |
| 232717 | 16433 | Stitch Rotating Lever Connection Screw Washer (upper) |
| 232764 | 16355 | Stitch Rotating Lever Connection (lower) complete, Nos. 232607, 232808, two each 172D and 39504 |
| 250400 | 16433 | Stitch Rotating Lever Connection (upper) complete, Nos. 232592, 232593, 232717 and two 193D |
| 250394 | 16355 | Stitch Rotating Lever Rock Shaft |
| 250216 | 16355 | " " Sector (lower) |
| 232597 | 16355 | " " " " Bracket |
| 690D | 16355 | " " " " " Screw |
| 226163 | 16355 | " " " " " Washer |

| No. | Plate | Name |
|---------|-------|---|
| 350087C | 16355 | Stitch Rotating Sector (lower) Hinge Screw |
| 253646 | 16433 | Stitch Rotating Sector (upper) |
| 232599 | 16433 | " " " " Bracket |
| 201395D | 16433 | " " " " " Screw |
| | | (2) |
| 251026 | 16363 | Stop Lever with 200352C |
| 232262 | 16363 | " " Bracket |
| 350263E | 16363 | " " " Screw |
| 250218 | 16363 | " " Crank with 453C |
| 40025 | 16363 | " " " Position Pin |
| 453C | 16363 | " " " Set Screw |
| 232263 | 16363 | " " Friction Pad (rawhide) |
| 200110D | 16363 | " " " " Screw (2) |
| 255169 | 16363 | " " Interlocking Slide |
| 201084C | 16363 | " " " " Adjusting Screw |
| 201628E | 16363 | Stop Lever Interlocking Slide Adjusting Screw Nut |
| 1178D | 16363 | Stop Lever Interlocking Slide Screw |
| 232265 | 16363 | " " " " " Washer |
| 250416 | 16363 | " " " " Spring |
| 250219 | 16365 | " " Link |
| 250220 | 16365 | " " " Connection |
| 250221 | 16365 | " " " Locking Pin |
| 250222 | 16365 | " " " " Spring |
| 217D | 16365 | " " " " " " Screw (2) |
| 350225D | 16365 | Stop Lever Link Connection Screw (back) |
| 807D | 16365 | " " " " " (front) |
| 64C | 16365 | " " " Hinge Screw |
| 250223 | 16365 | " " Operating Lever |
| 11C | 16365 | " " " " Hinge Screw |
| 250224 | 16365 | " " " Plate |
| 157D | 16365 | " " " " Screw |
| 39541 | 16365 | " " " " " Washer |
| 201442C | 16363 | " " Position Screw |
| 200352C | 16363 | " " Set Screw |
| 250225 | 16363 | " " Shaft |
| 255170 | 16363 | " " Spring |
| 201110D | 16363 | " " " Screw |
| 253647 | 16418 | Thread and Cord Cutting Blade (movable) |
| 253773 | 16418 | " " " " " (stationary) |
| 175E | 16418 | " " " " " " Screw |
| 250444 | 16418 | Thread and Cord Cutting Blade (stationary) Screw Washer |
| 253649 | 16418 | Thread and Cord Cutting Blade Bracket with 232348 |

| No. | Plate | Name |
|---------|-------|---|
| 253693 | 16419 | Thread and Cord Cutting Blade Bracket Adjusting Plate |
| 190D | 16419 | Thread and Cord Cutting Blade Bracket Adjusting Plate Screw |
| 7071 | 16419 | Thread and Cord Cutting Blade Bracket Adjusting Plate Screw Washer |
| 350267E | 16418 | Thread and Cord Cutting Blade Bracket Screw |
| 208636 | 16418 | Thread and Cord Cutting Blade Bracket Screw Washer |
| 253774 | 16417 | Thread and Cord Cutting Blade Cam Plate |
| 253651 | 16417 | " " " " " " " Bracket |
| 161D | 16417 | Thread and Cord Cutting Blade Cam Plate Bracket Screw |
| 203E | 16417 | Thread and Cord Cutting Blade Cam Plate Screw (2) |
| 253775 | 16418 | Thread and Cord Cutting Blade Guard |
| 350214E | 16418 | " " " " " Hinge Screw |
| 253653 | 16418 | " " " " " Spring |
| 253654 | 16419 | " " " " " Driving Lever with 362F and 351868 |
| 253655 | 16419 | Thread and Cord Cutting Driving Lever Bracket |
| 135D | 16419 | Thread and Cord Cutting Driving Lever Bracket Screw (2) |
| *253656 | ----- | Thread and Cord Cutting Driving Lever Cam Groove Protector (inside) |
| *253657 | ----- | Thread and Cord Cutting Driving Lever Cam Groove Protector (outside) |
| 253658 | 16426 | Thread and Cord Cutting Driving Lever Cam Groove Protector Position Pin |
| 1454E | 16426 | Thread and Cord Cutting Driving Lever Cam Groove Protector Screw |
| 253659 | 16419 | Thread and Cord Cutting Driving Lever Hinge Stud |
| 201873 | 16419 | Thread and Cord Cutting Driving Lever Roller |
| 351868 | 16419 | Thread and Cord Cutting Driving Lever Roller 201873 with 1520J, 201144E and 350421C |
| 201144E | 16419 | Thread and Cord Cutting Driving Lever Roller Cap Screw |
| 350421C | 16419 | Thread and Cord Cutting Driving Lever Roller Screw Stud |
| 1520J | 16419 | Thread and Cord Cutting Driving Lever Roller Screw Stud Nut |
| 362F | 16419 | Thread and Cord Cutting Driving Lever Set Screw |

| No. | Plate | Name |
|---------|-------|--|
| 253660 | 16419 | Thread and Cord Cutting Lever with 190D, 7071 and 253693 |
| 256557 | 16419 | Thread and Cord Cutting Lever Bracket |
| 391E | 16419 | " " " " " " " Screw (4) |
| 201468H | 16419 | Thread and Cord Cutting Lever Cap Screw |
| 253661 | 16419 | " " " " " " Connection |
| *38444 | ----- | " " " " " " End Bearing (lower) |
| 38446 | 16419 | Thread and Cord Cutting Lever Connection End Bearing 38444 with 42524, 50016C and two 175E |
| 50016C | 16419 | Thread and Cord Cutting Lever Connection End Bearing (lower) Ball Screw Stud |
| 1636E | 16419 | Thread and Cord Cutting Lever Connection End Bearing (lower) Ball Screw Stud Nut |
| *42524 | ----- | Thread and Cord Cutting Lever Connection End Bearing (lower) Cap |
| 175E | 16419 | Thread and Cord Cutting Lever Connection End Bearing (lower) Cap Screw |
| 1698C | 16419 | Thread and Cord Cutting Lever Connection End Bearing (lower) Check Nut |
| *38443 | ----- | Thread and Cord Cutting Lever Connection End Bearing (upper) |
| 253662 | 16419 | Thread and Cord Cutting Lever Connection End Bearing 38443 with 777C, 42525 and two 175E |
| 777C | 16419 | Thread and Cord Cutting Lever Connection End Bearing (upper) Ball Screw |
| 1636E | 16419 | Thread and Cord Cutting Lever Connection End Bearing (upper) Ball Screw Nut |
| *42525 | ----- | Thread and Cord Cutting Lever Connection End Bearing (upper) Cap |
| 175E | 16419 | Thread and Cord Cutting Lever Connection End Bearing (upper) Cap Screw |
| 1697C | 16419 | Thread and Cord Cutting Lever Connection End Bearing (upper) Check Nut |
| 254093 | 16422 | Throat Plate |
| 250447 | 16422 | " " Adjusting Block |
| 176D | 16422 | " " Screw |
| 250560 | 16422 | " " " Washer |
| *256083 | 16368 | Vertical Shaft with two each 204648 and 250589 |
| 256201 | 16368 | Vertical Shaft 256083 with 232719 and 255522 |
| 255522 | 16368 | Vertical Shaft Bevel Gear (lower) with two 453C |
| 232719 | 16368 | Vertical Shaft Bevel Gear (lower) Posi- tion Pin |

| No. | Plate | Name |
|---------|-------|---|
| 256084 | 16368 | Vertical Shaft Bevel Gear (upper) with two 453C |
| 40025 | 16368 | Vertical Shaft Bevel Gear (upper) Posi- tion Pin (2) |
| 453C | 16368 | Vertical Shaft Bevel Gear Set Screw |
| 250396 | 16368 | " " Bushing (lower) |
| 200100E | 16368 | " " " " Screw (2) |
| 256085 | 16368 | " " " (upper) |
| 575C | 16368 | " " " " Set Screw |
| 253717 | 16437 | Work Clamp Arm (left) |
| 253718 | 16438 | " " " (right) |
| 250525 | 16437 | " " " Bracket (left) |
| 255057 | 16437 | " " " " " 250525 with 250268, 250551, 250552, 253666 and three 2269 |
| 250526 | 16438 | Work Clamp Arm Bracket (right) |
| 255058 | 16438 | " " " " " 250526 with 250266, 250528, 250529, 253666 and three 2269 |
| 201129D | 16437 | Work Clamp Arm Bracket Screw (back) |
| 253666 | 16437 | " " " Cam with 209F |
| 2269 | 16437 | " " " " Position Pin |
| 209F | 16437 | " " " " Set Screw |
| 250552 | 16437 | " " " " Shaft (left) |
| 250528 | 16438 | " " " " " (right) |
| 201237E | 16437 | " " " " Stop Screw |
| 201537H | 16437 | " " " " " " Nut |
| 252184 | 16437 | " " " Hinge Block |
| 350123E | 16437 | " " " " " Hinge Screw |
| 200051E | 16437 | " " " Screw |
| 13218 | 16437 | " " " Spring |
| 350136E | 16437 | " " " " Screw |
| 256086 | 16437 | " " Base (left) with 251619 |
| 256578 | 16437 | " " " " 256086 with 194C, 217E 662D, 792D, 991E, 1423F, 1443F, 1550J, 7071 10249, 13218, 200051E, 200097C, 201237E, 201537H, 250241, 250418, 250419, 251518, 251519, 252184, 252202, 253717, 253723, 253724, 253782, 254117, 254121, 255003, 255016, 255057, 255162, 255164, 350080D, 350136E, two each 207F, 401H, 201129D, 228026, 253780, 350123E and seven 934H |
| 255162 | 16437 | Work Clamp Base (left) Guard |
| 934H | 16437 | " " " " " Screw |
| 256087 | 16438 | " " " (right) with 251619 |

| No. | Plate | Name |
|---------|-------|--|
| 256579 | 16438 | Work Clamp Base (right) 256087 with 662D 792D, 991E, 1423F, 1443F, 1550J, 1321B, 200051E, 201237E, 201537H, 228026, 232270 to 232272, 250242, 250275, 252184, 252202 253719, 253723, 253724, 253783, 254118, 254122, 255003, 255016, 255058, 255163, 255165, 350136E, two each 401H, 200186B, 201129D, 253780, 350123E, four 207F and seven 934H |
| 255163 | 16438 | Work Clamp Base (right) Guard |
| 934H | 16438 | " " " " " Screw |
| 254117 | 16437 | " " " Clamping Plate (left) |
| 253782 | 16437 | " " " " " Cover |
| 254118 | 16438 | " " " " " (right) |
| 253783 | 16438 | " " " " " Cover |
| 401H | 16437 | " " " " " Cover Screw |
| 934H | 16437 | " " " " " Screw |
| 253780 | 16437 | " " " " " Shim |
| 251619 | 16437 | " " " Hinge Stud |
| 250439 | 16427 | " " " Retaining Stud |
| 250241 | 16437 | " " " Spring (left) |
| 250242 | 16438 | " " " " (right) |
| 1443F | 16437 | " " " " Screw |
| 201451E | 16427 | " " " " Stud (2) |
| 232309 | 16427 | " " " Stop Block (2) |
| 232310 | 16427 | " " " " Position Pin (2) |
| 201148H | 16427 | " " " " Screw (2) |
| 256021 | 16427 | " " Carrier Base Plate with 250439 |
| 256040 | 16427 | " " " " Extension |
| 934E | 16427 | " " " " " Screw |
| | | (2) |
| 256022 | 16428 | Work Clamp Carrier Base Plate Slide Rod |
| 201643E | 16428 | " " " " " " " |
| | | Nut (2) |
| 250095 | 16428 | Work Clamp Carrier Base Plate Slide Rod Position Pin |
| 200119D | 16428 | Work Clamp Carrier Base Plate Slide Rod Set Screw |
| 250244 | 16434 | Work Clamp Carrier Feed Lever |
| 350185C | 16434 | " " " " " Hinge Screw |
| 250245 | 16434 | " " " " " Link |
| 250246 | 16434 | " " " " " Block |
| 50168E | 16434 | " " " " " " " |
| | | Screw (2) |
| 350070C | 16434 | Work Clamp Carrier Feed Lever Link Hinge Screw (block end) |
| 350216C | 16434 | Work Clamp Carrier Feed Lever Link Hinge Screw (lever end) |
| 351863 | 16434 | Work Clamp Carrier Feed Lever Roller |

| No. | Plate | Name |
|---------|-------|---|
| 351864 | 16434 | Work Clamp Carrier Feed Lever Roller 351863 with 256088 and 350072E |
| 350072E | 16434 | Work Clamp Carrier Feed Lever Roller Cap Screw |
| 256088 | 16434 | Work Clamp Carrier Feed Lever Roller Stud |
| 255076 | 16434 | Work Clamp Carrier Feed Lever Roller Stud Washer |
| 253673 | 16420 | Work Clamp Carrier Side Throw Lever (lower section) with 201097C and 201530E |
| *256186 | ----- | Work Clamp Carrier Side Throw Lever (up- per section) |
| 256187 | 16420 | Work Clamp Carrier Side Throw Lever (up- per section) 256186 with 201374E, 256188, 351866 and two 1176D |
| *256188 | ----- | Work Clamp Carrier Side Throw Lever Ex- tension |
| 1176D | 16420 | Work Clamp Carrier Side Throw Lever Ex- tension Screw |
| 250599 | 16420 | Work Clamp Carrier Side Throw Lever Hinge Stud |
| 250600 | 16420 | Work Clamp Carrier Side Throw Lever Hinge Stud Collar with two 448C |
| 448C | 16420 | Work Clamp Carrier Side Throw Lever Hinge Stud Collar Set Screw |
| 435C | 16420 | Work Clamp Carrier Side Throw Lever Hinge Stud Set Screw |
| 250250 | 16420 | Work Clamp Carrier Side Throw Lever Lock Pin with 201940 and 350072E |
| 201940 | 16420 | Work Clamp Carrier Side Throw Lever Lock Pin Roller |
| 350072E | 16420 | Work Clamp Carrier Side Throw Lever Lock Pin Roller Cap Screw |
| 201430C | 16420 | Work Clamp Carrier Side Throw Lever Lock Pin Screw Stud |
| 250251 | 16420 | Work Clamp Carrier Side Throw Lever Lock Pin Spring |
| 191C | 16420 | Work Clamp Carrier Side Throw Lever Lock Pin Spring Screw (2) |
| 351865 | 16420 | Work Clamp Carrier Side Throw Lever Rol- ler |
| 351866 | 16420 | Work Clamp Carrier Side Throw Lever Rol- ler 351865 with 201144E and 256090 |
| 201144E | 16420 | Work Clamp Carrier Side Throw Lever Rol- ler Cap Screw |
| 256090 | 16420 | Work Clamp Carrier Side Throw Lever Rol- ler Stud |
| 201374E | 16420 | Work Clamp Carrier Side Throw Lever Rol- ler Stud Cap Screw |

| No. | Plate | Name |
|---------|-------|---|
| 232321 | 16420 | Work Clamp Carrier Side Throw Lever Slide Block |
| 254177 | 16427 | Work Clamp Carrier Side Throw Lever Slide Block Guide |
| 231C | 16427 | Work Clamp Carrier Side Throw Lever Slide Block Guide Screw (2) |
| 201097C | 16420 | Work Clamp Carrier Side Throw Lever Slide Block Screw Stud |
| 201530E | 16420 | Work Clamp Carrier Side Throw Lever Slide Block Screw Stud Nut |
| 256023 | 16428 | Work Clamp Carrier Slide (left) with 200119D |
| 256024 | 16428 | Work Clamp Carrier Slide (right) with 200119D |
| 255509 | 16428 | Work Clamp Carrier Slide Gib (left,back) |
| 253683 | 16428 | " " " " " (left,front) |
| 255511 | 16428 | " " " " " (right,back) |
| 255512 | 16428 | " " " " " (right, front) |
| 50168E | 16428 | Work Clamp Carrier Slide Gib Screw |
| 256025 | 16428 | " " " " Stay Plate |
| 256026 | 16428 | " " " " " Lock Washer |
| 350369E | 16428 | Work Clamp Carrier Slide Stay Plate Lock Washer Screw |
| 250597 | 16428 | Work Clamp Carrier Slide Stay Plate Position Pin (2) |
| 231C | 16428 | Work Clamp Carrier Slide Stay Plate Screw (5) |
| 254121 | 16437 | Work Clamp Check (left) |
| 254122 | 16438 | " " " " (right) |
| 254116 | 16438 | " " " " Cord Guide |
| 229D | 16438 | " " " " " Screw (2) |
| 253723 | 16437 | " " " " Hinge Pin |
| 253724 | 16437 | " " " " Spring |
| 662D | 16437 | " " " " Screw |
| 252194 | 16407 | " " Closing Lever |
| 250266 | 16438 | " " " " (hand) with 209F |
| 2269 | 16438 | " " " " Position Pin |
| 209F | 16438 | " " " " Set Screw |
| 252196 | 16407 | " " " " Adjusting Arm with 201531H,201948 and 228026 |
| 1178D | 16407 | Work Clamp Closing Lever Adjusting Arm Screw |
| 14017 | 16407 | Work Clamp Closing Lever Adjusting Arm Screw Washer |
| 255021 | 16405 | Work Clamp Closing Lever Cam Groove Protector |
| 210750 | 16405 | Work Clamp Closing Lever Cam Groove Protector Position Pin |

| No. | Plate | Name |
|---------|-------|---|
| 172D | 16405 | Work Clamp Closing Lever Cam Groove Protector Screw |
| 255153 | 16405 | Work Clamp Closing Lever Disengaging Block |
| 183C | 16405 | Work Clamp Closing Lever Disengaging Block Screw |
| 250406 | 16405 | Work Clamp Closing Lever Disengaging Block Shim (.005 in.thick) |
| 250407 | 16405 | Work Clamp Closing Lever Disengaging Block Shim (.010 in.thick) |
| 256197 | 16407 | Work Clamp Closing Lever Engaging Stud |
| 256209 | 16407 | " " " " " " " 256197 with 232105 and 256198 |
| 255141 | 16409 | Work Clamp Closing Lever Engaging Stud Latch |
| 255161 | 16409 | Work Clamp Closing Lever Engaging Stud Latch Spring |
| 1241E | 16409 | Work Clamp Closing Lever Engaging Stud Latch Spring Screw Eye |
| 256199 | 16348 | Work Clamp Closing Lever Engaging Stud Lock Plate |
| 200076D | 16348 | Work Clamp Closing Lever Engaging Stud Lock Plate Screw |
| 7071 | 16348 | Work Clamp Closing Lever Engaging Stud Lock Plate Screw Washer |
| 256198 | 16407 | Work Clamp Closing Lever Engaging Stud Sleeve |
| 232105 | 16407 | Work Clamp Closing Lever Engaging Stud Sleeve Pin |
| 255143 | 16407 | Work Clamp Closing Lever Engaging Stud Spring |
| *255144 | ----- | Work Clamp Closing Lever Engaging Stud Wear Plate |
| 210750 | 16405 | Work Clamp Closing Lever Engaging Stud Wear Plate Position Pin |
| 183C | 16405 | Work Clamp Closing Lever Engaging Stud Wear Plate Screw |
| 350407C | 16407 | Work Clamp Closing Lever Hinge Screw |
| 201729C | 16407 | " " " " " " " Nut |
| 201947 | 16407 | " " " " " Roller |
| 201948 | 16407 | " " " " " " 201947 with 350156E |
| 350156E | 16407 | Work Clamp Closing Lever Roller Screw Stud |
| 201531H | 16407 | Work Clamp Closing Lever Roller Screw Stud Nut |
| 228026 | 16407 | Work Clamp Closing Lever Roller Screw Stud Washer |
| 991C | 16408 | Work Clamp Closing Lever Stop Screw |
| 250268 | 16437 | " " Connection Lever (left) with 209F |

| No. | Plate | Name |
|---------|-------|---|
| 250529 | 16438 | Work Clamp Connection Lever (right) with 209F |
| 2269 | 16437 | Work Clamp Connection Lever Position Pin |
| 209F | 16437 | " " " " Set Screw |
| 250270 | 16433 | " " Opening Bell Crank with 1819 |
| 659D | 16433 | " " " " " Hinge Screw |
| 1819 | 16433 | " " " " " Roller and Stud |
| 232200 | 16433 | Work Clamp Opening Bell Crank Spring |
| 1241E | 16433 | " " " " " " Screw Eye |
| 253680 | 16405 | Work Clamp Opening Cam with 462C |
| 12509 | 16405 | " " " " Position Pin |
| 462C | 16405 | " " " " Set Screw |
| 250551 | 16437 | " " " Lever with 1253C |
| 251519 | 16437 | " " " " Latch |
| 253679 | 16433 | " " " " " Releasing Bracket with 200E, 1547J and 350218C |
| 200E | 16433 | Work Clamp Opening Lever Latch Releasing Bracket Set Screw |
| 350218C | 16433 | Work Clamp Opening Lever Latch Releasing Screw |
| 1547J | 16433 | Work Clamp Opening Lever Latch Releasing Screw Check Nut |
| 10249 | 16437 | Work Clamp Opening Lever Latch Spring |
| 217E | 16437 | " " " " " " Screw |
| 7071 | 16437 | " " " " " " Washer |
| 194C | 16437 | Work Clamp Opening Lever Latch Stop Screw |
| 2269 | 16437 | Work Clamp Opening Lever Position Pin |
| 1253C | 16437 | " " " " Set Screw |
| 255077 | 16433 | " " " Rod |
| 255079 | 16433 | Work Clamp Opening Rod complete, Nos. 203C 1662C, 250297, 253679, 255077 and 255078 |
| 255078 | 16433 | Work Clamp Opening Rod Connection |
| 807D | 16433 | " " " " Hinge Screw |
| 250274 | 16433 | " " " " Guide with 808D |
| 808D | 16433 | " " " " Pinch Screw |
| 1662C | 16433 | " " " " Nut |
| 250275 | 16438 | " " " Stop (adjustable) |
| 207F | 16438 | " " " " Screw |
| 256030 | 16427 | " " Spreader (front) |
| 256031 | 16427 | " " " " Adjusting Block (left) |
| 256032 | 16427 | Work Clamp Spreader (front) Adjusting Block (right) |
| 256033 | 16427 | Work Clamp Spreader (front) Adjusting Block Lever (left) |

| No. | Plate | Name |
|---------|-------|---|
| 256034 | 16427 | Work Clamp Spreader (front) Adjusting Block Lever (right) |
| 201463D | 16427 | Work Clamp Spreader (front) Adjusting Block Lever Hinge Screw (2) |
| 251202 | 16427 | Work Clamp Spreader (front) Adjusting Block Lever Spring |
| 203E | 16427 | Work Clamp Spreader (front) Adjusting Block Screw (2) |
| 7071 | 16427 | Work Clamp Spreader (front) Adjusting Block Screw Washer (2) |
| 256035 | 16427 | Work Clamp Spreader (front) Connection |
| 106C | 16427 | " " " " Hinge Screw (front) |
| 99C | 16427 | Work Clamp Spreader (front) Connection Hinge Screw (rear) |
| 256036 | 16427 | Work Clamp Spreader (front) Lever |
| 940F | 16427 | " " " " " Hinge Screw |
| 256037 | 16427 | Work Clamp Spreader (front) Strap |
| 190D | 16427 | " " " " " Screw (2) |
| 250276 | 16427 | Work Clamp Spreader (left) |
| 350140D | 16427 | " " " " Screw |
| 256027 | 16427 | " " " (right) |
| 201463D | 16427 | " " " " Screw |
| 991E | 16437 | " " " Adjusting Screw |
| 252202 | 16437 | " " " " " Bracket |
| 207F | 16437 | " " " " " " Screw |
| 1550J | 16437 | Work Clamp Spreader Adjusting Screw Nut |
| 256028 | 16427 | " " " " Base Plate |
| 256029 | 16427 | " " " " " Retaining Block (2) |
| 1454E | 16427 | Work Clamp Spreader Base Plate Retaining Block Screw (4) |
| 50058D | 16427 | Work Clamp Spreader Base Plate Screw (2) |
| 253505 | 16427 | " " " " Connection |
| 253506 | 16427 | " " " " Bracket with 201981 |
| 1981 | 16427 | Work Clamp Spreader Connection Bracket Roller |
| 201981 | 16427 | Work Clamp Spreader Connection Bracket Roller 1981 with 253524 |
| 253524 | 16427 | Work Clamp Spreader Connection Bracket Roller Stud |
| 208E | 16427 | Work Clamp Spreader Connection Bracket Screw (2) |
| 201453C | 16427 | Work Clamp Spreader Connection Hinge Screw |
| 250281 | 16427 | Work Clamp Spreader Connection Link (left) |

| No. | Plate | Name |
|---------|-------|---|
| 253507 | 16427 | Work Clamp Spreader Connection Link (right) |
| 201452E | 16427 | Work Clamp Spreader Connection Link Hinge Screw (2) |
| 256038 | 16427 | Work Clamp Spreader Operating Fork Lever |
| 212D | 16427 | " " " " " " |
| | | Cap Screw |
| 350138E | 16427 | Work Clamp Spreader Operating Fork Lever Hinge Screw |
| 255081 | 16427 | Work Clamp Spreader Operating Fork Lever Stop Plate |
| 203E | 16427 | Work Clamp Spreader Operating Fork Lever Stop Plate Screw |
| 7071 | 16427 | Work Clamp Spreader Operating Fork Lever Stop Plate Screw Washer |
| 250285 | 16407 | Work Clamp Spreader Operating Pawl |
| 252512 | 16407 | " " " " Adjusting Block |
| 176D | 16407 | Work Clamp Spreader Operating Pawl Adjusting Block Screw |
| 7071 | 16407 | Work Clamp Spreader Operating Pawl Adjusting Block Screw Washer |
| 132E | 16407 | Work Clamp Spreader Operating Pawl Adjusting Screw |
| 201669E | 16407 | Work Clamp Spreader Operating Pawl Adjusting Screw Nut |
| 741C | 16407 | Work Clamp Spreader Operating Pawl Hinge Screw |
| 250286 | 16407 | Work Clamp Spreader Operating Pawl Spring |
| 201314C | 16407 | Work Clamp Spreader Operating Pawl Stop Screw |
| 252513 | 16407 | Work Clamp Spreader Operating Pawl complete, Nos. 176D, 7071, 250285 and 252512 |
| 250287 | 16433 | Work Clamp Spreader Releaser |
| 203C | 16433 | " " " " Screw |
| 201314C | 16427 | " " " Screw Stud (2) |
| 255003 | 16437 | " " Spring |
| 255016 | 16437 | " " " Wear Plate |
| 792D | 16437 | " " " " Screw |
| 255164 | 16437 | " Position Gauge (left) |
| 255165 | 16438 | " " " (right) |
| 1423F | 16437 | " " Screw |
| 228026 | 16437 | " " " Washer |

ACCESSORIES

| No. | Plate | Name |
|---------|-------|--|
| 254052 | 16432 | Buttonhole Cutting Block (steel), 3/4 in. (eye or taper bar) |
| 254054 | 16432 | Buttonhole Cutting Knife (.100 x .180 eye) |
| 250214 | 16368 | Stitch Regulating Gear, 34 teeth |
| 142 x 5 | 16416 | Needles, six, size 17 |
| 250004 | 16382 | Bed Cushion (leather) (back) |
| 250006 | 16382 | " " " (front) |
| 250007 | 16382 | " " (fibre) (inside) |
| 250008 | 16382 | " " " (outside) |
| 158E | 16382 | " " Screw |
| 250018 | 16382 | " Support (left) with 250004, 250006, 250008, two 250007 and six 158E |
| 250019 | 16382 | Bed Support (right) with 250004, 250006, 250008, two 250007 and six 158E |
| 250288 | 16383 | Drip Pan |
| 250408 | 16382 | Machine Rest (high) with 232982 and two wood screws 1 in., No. 12 |
| 232982 | 16382 | Machine Rest Cushion (leather) |
| 120346 | 16382 | Oiler (copper plated) with 120347 |
| 120347 | 16382 | " Spout (8-1/2 in. long) |
| 11831 | 16383 | Screw Driver (5 in. blade) (machine, large) |
| 255542 | 16383 | " " (8 in. blade) |
| *250521 | 16383 | " " Blade |
| *225483 | 16383 | " " Handle |
| 250522 | 16383 | Screw Driver complete, (for needle set screw), Nos. 225483 and 250521 |
| 250543 | 16383 | Stitch Regulating Gear Holder |
| 232486 | 16382 | Threader Wire (large) |
| 250412 | 16382 | " " (small) |
| 255513 | 16382 | Tweezers |
| 23535 | 16383 | Wrench, for 1697, 1698 and 201711 |
| 232900 | 16383 | " " 201362 and 201668 |
| 232935 | 16383 | " " 201670 and 201722 (2) |
| 250289 | 16382 | " " 350111 |
| 255533 | 16382 | " " 201442 and 201445 |
| 255539 | 16383 | " " 1550 and 350136 |
| 255540 | 16383 | " " 201524 and 201643 |
| 255541 | 16383 | " " 201628 and 201660 |
| 256019 | 16383 | " " 201726 to 201728 (2) |
| | | Wood Screws 1-1/4 in., No. 12 (4) |

THREAD UNWINDER
FOR THREE SPOOLS

| No. | Plate | Name |
|---------|-------|---|
| 259370 | 16385 | Spool Pin |
| 225375 | 16385 | " " (wood) |
| 259378 | 16385 | " " Arm with 217E and 259379 |
| 232896 | 16385 | " " " Bracket with two 448C |
| 448C | 16385 | " " " " Set Screw |
| 448C | 16385 | " " " " Set Screw |
| 259371 | 16385 | " " Cap (bakelite) |
| 1010F | 16385 | " " " Hinge Screw |
| 259379 | 16385 | " " Retaining Spring |
| 217E | 16385 | " " " " Screw |
| 259372 | 16385 | " " Washer |
| 259373 | 16385 | Spool Pin complete, Nos. 1010F and 259370 to 259372 |
| 259374 | 16385 | Spool Rest (for one spool) (flat) with 201018C |
| 259375 | 16385 | Spool Rest (for two spools) (flat) with 201018C |
| 150203 | 16385 | Spool Rest Cushion (felt) |
| 250453 | 16385 | " " Rod (lower) |
| 225388 | 16385 | " " " (upper) |
| 250454 | 16385 | " " " Coupling with two 456C |
| 456C | 16385 | " " " " Set Screw |
| 200383C | 16385 | " " " " Set Screw |
| 201018C | 16385 | " " " " Set Screw |
| 202490 | 16385 | " Stand with 200383C |
| 225390 | 16385 | Thread Cone Holder |
| 250472 | 16385 | " Cop Holder |
| 225391 | 16385 | " Guide |
| 201696J | 16385 | " " Lock Nut |
| 225326 | 16385 | " " Position Cup |
| 350192J | 16385 | " " Screw Stud |
| 225393 | 16385 | " " " " Washer |
| 200164B | 16385 | " " Stud Set Screw |
| 225376 | 16385 | Thread Unwinder complete, Nos. 200164B, 201696J, 202490, 225326, 225388, 225393, 250453, 250454, 250472, 259374, 259375, 350192J, three each 150203, 225375, 225390, 225391, 232896, 259373, 259378 and three wood screws 7/8 in., No. 12 |

DRIVING EQUIPMENT

| No. | Plate | Name |
|---------|-------|---|
| 228628 | 16388 | Belt (gilt edge), size 5/16 in. diam., length 83 in., with two 25029 |
| 228629 | 16391 | Belt (gilt edge), size 3/8 in. diam., length 57 in., with 25030 |
| 228630 | 16395 | Belt (gilt edge), size 3/8 in. diam., length 120 in., with two 25030 |
| 228631 | 16388 | Belt (gilt edge), size 3/8 in. diam., length 133 in., with two 25030 |
| 228608 | 16389 | Belt Guard, for Bridgeport Old Style Power Table (trough) and Singer Universal Power Table (trough), with two wood screws 3/4 in., No. 10 |
| 228610 | 16390 | Belt Guard, for E'port Old Style Power Table (trough) with two wood screws 3/4 in., No. 10 |
| 25029 | 16388 | Belt Hook |
| 25030 | 16388 | " " |
| 228565 | 16387 | " Shifter |
| 228566 | 16387 | " " Lever with 200526C |
| 228567 | 16387 | " " " Hinge Stud |
| 200335C | 16387 | " " " " " Set Screw |
| 228632 | 16387 | " " Locking Spring |
| 200526C | 16387 | " " Set Screw |
| 228618 | 16386 | Buttonhole Cutter Driving Pulley, 4-5/8 in. diam., with 200342C and 200347C |
| 228619 | 16386 | Buttonhole Cutter Driving Pulley Driving Pinion, 16 teeth, with 454C |
| 2117E | 16386 | Buttonhole Cutter Driving Pulley Driving Pinion Pin |
| 454C | 16386 | Buttonhole Cutter Driving Pulley Driving Pinion Set Screw |
| 200342C | 16386 | Buttonhole Cutter Driving Pulley Position Screw |
| 200347C | 16386 | Buttonhole Cutter Driving Pulley Set Screw |
| 228579 | 16386 | Buttonhole Cutter Driving Pulley Shaft |
| 228580 | 16386 | " " " " " " |
| 224392 | 16386 | Bushing with 224392 |
| 224392 | 16386 | Buttonhole Cutter Driving Pulley Shaft Bushing Oil Packing (wick) |
| 350028C | 16386 | Buttonhole Cutter Driving Pulley Shaft Bushing Set Screw |
| 228620 | 16386 | Buttonhole Cutter Driving Pulley Shaft Gear, 48 teeth, with 448C |
| 2117E | 16386 | Buttonhole Cutter Driving Pulley Shaft Gear Pin |

ACCESSORIES

| No. | Plate | Name |
|---------|-------|--|
| 448C | 16386 | Buttonhole Cutter Driving Pulley Shaft Gear Set Screw |
| 228593 | 16387 | Counter Shaft (hollow) with 200370C and 228595 |
| 210833 | 16387 | Counter Shaft Collar with two 200383C |
| 200383C | 16387 | " " " Set Screw |
| 228590 | 16387 | " " Driving Pulley (loose), 5 in. diameter |
| 228591 | 16387 | Counter Shaft Driving Pulley (tight), 5 in., diam., with 200352C and 200363C |
| 200352C | 16387 | Counter Shaft Driving Pulley Position Screw |
| 200363C | 16387 | Counter Shaft Driving Pulley Set Screw |
| 228601 | 16387 | " " Hanger with 200335C and 202244 |
| 228588 | 16387 | Counter Shaft Hanger Belt Guard (double) |
| 200002E | 16387 | " " " " " Screw |
| 202244 | 16387 | " " " Oil Packing (wick) |
| 51080E | 16387 | " " " Screw |
| 51046E | 16387 | " " " " " |
| 41125 | 16387 | " " " " Washer |
| 228602 | 16387 | " " Oil Cup |
| 228594 | 16387 | " " " Packing Wick |
| 228595 | 16387 | " " " " " Wire with 228594 |
| 200370C | 16387 | Counter Shaft Oil Stop Screw |
| 228592 | 16387 | " " Pulley, 5-7/8 in. diam., with 200352C and 200363C |
| 200352C | 16387 | Counter Shaft Pulley Position Screw |
| 200363C | 16387 | " " " Set Screw |
| 228596 | 16387 | Counter Shaft Hanger complete, for Old Style Power Table and Singer Universal Power Table, Nos. 51080E, 200002E, 210833, 228565 to 228567, 228588, 228590 to 228593, 228601, 228602, 228632 two 51046E and three 41125 |
| 228573 | 16386 | Driving Attachment Belt Guard with 228607 |
| 228607 | 16386 | Driving Attachment Belt Guard Drain Valve |
| 50075J | 16386 | Driving Attachment Belt Guard Thumb Screw |
| 228574 | 16386 | Driving Attachment Bracket with 11119, 228575 and four 350028C |
| 228575 | 16386 | Driving Attachment Bracket Oil Cup |
| 15783 | 16386 | " " " " Tube |
| 11119 | 16386 | " " " " " 15783 with 52045 |
| 52045 | 16386 | Driving Attachment Bracket Oil Tube Packing (cotton) |

ACCESSORIES

| No. | Plate | Name |
|---------|-------|--|
| 51046E | 16386 | Driving Attachment Bracket Screw |
| 41125 | 16386 | " " " " Washer |
| 228624 | 16386 | " Pulley, 6 in. diam., with 200374C and 200396C |
| 200396C | 16386 | Driving Pulley Position Screw |
| 200374C | 16386 | " " " Set Screw |
| 228625 | 16386 | " " Shaft |
| 228571 | 16386 | " " " Bushing with 202260 |
| 202260 | 16386 | " " " " Oil Packing (wick) |
| 350028C | 16386 | Driving Pulley Shaft Bushing Set Screw |
| 228626 | 16386 | " " " Collar with two 200378C |
| 200378C | 16386 | Driving Pulley Shaft Collar Set Screw |
| 228621 | 16386 | Machine Driving Pulley (loose), 3-1/8 in. diameter |
| 228622 | 16386 | Machine Driving Pulley Clutch |
| 214179 | 16386 | " " " " Roller |
| 214181 | 16386 | " " " " Spring |
| 214180 | 16386 | " " " " " |
| | | Plunger |
| 200050C | 16386 | Machine Driving Pulley Clutch Screw |
| 228623 | 16386 | " " " Collar with two 200364C |
| 200364C | 16386 | Machine Driving Pulley Collar Set Screw |
| 228627 | 16386 | Driving Attachment complete, Nos. 50075J, 228573, 228574, 228579, 228580, 228618 to 228626, two each 2117E, 228571, three each 41125, 51046E, 200050C and 214179 to 214181 |
| 228578 | 16386 | Driving Attachment and Idler complete, Nos. 228587 and 228627 |
| 234342 | 16388 | Front Plank Extension (back) with two wood screws 1-1/2 in., No. 10 (for flat table) |
| 234349 | 16395 | Front Plank Extension (back) with four wood screws 1-1/2 in., No. 10, for Singer Universal Safety Power Table (flat) |
| 234350 | 16396 | Front Plank Extension (back) with six wood screws 1-1/2 in., No. 10, for Singer Universal Safety Power Table (trough) |
| 234344 | 16388 | Front Plank Extension (front) with two wood screws 2-1/4 in., No. 12 and three wood screws 1-3/4 in., No. 12 |
| 228581 | 16386 | Idler Pulley |
| 228643 | 16386 | " " Belt Guard with 200526C |
| 200526C | 16386 | " " " " Set Screw |
| 228644 | 16386 | " " Bracket with 200526C |

ACCESSORIES

| No. | Plate | Name |
|---------|-------|---|
| 200019E | 16386 | Idler Pulley Bracket Screw |
| 228584 | 16386 | " " Shaft with 228586 |
| 228602 | 16386 | " " " Oil Cup |
| 228585 | 16386 | " " " " Wick |
| 228586 | 16386 | " " " " Wire with 228585 |
| 200526C | 16386 | " " " Set Screw |
| 228587 | 16386 | Idler complete, Nos. 228584, 228602, 228644, two each 228581, 228643 and three 200019E |
| 27068 | 16388 | Shaft Pulley (sectional, grooved) 8 in. diam., 1-3/16 in. bore, with two 597C |
| 597C | 16388 | Shaft Pulley Clamping Screw |
| 150027 | 16394 | Starting Device Bracket with two wood screws 1-1/4 in., No. 14 |
| 150028 | 16394 | Starting Device Handle |
| 27638 | 16394 | " " " Spring |
| 23250 | 16394 | " " " " Washer |
| 126888 | 16394 | " " " " Collar with 217F |
| 217F | 16394 | Starting Device Handle Spring Collar Set Screw |
| 126955 | 16394 | Starting Device Rod |
| 126888 | 16394 | " " " Collar with 217F |
| 217F | 16394 | " " " Set Screw |
| 126890 | 16394 | Starting Device complete, Nos. 27638, 126955, 150027, 150028, two 23250 and three 126888 |
| 150183 | 16394 | Table Belt Guide Bracket with 795C |
| 50285R | 16394 | " " " " Bolt |
| 126841 | 16394 | " " " " Clamping Plate |
| 126846 | 16394 | " " " " Nut Lock Washer |
| 12620 | 16394 | Table Belt Guide Bracket Bolt Washer |
| 126750 | 16394 | " " " Pulley with 126752 |
| 126868 | 16394 | " " " " Shaft |
| 126752 | 16394 | " " " " Bushing |
| 126869 | 16394 | " " " " Collar with 1448C |
| 1448C | 16394 | Table Belt Guide Pulley Shaft Collar Set Screw |
| 795C | 16394 | Table Belt Guide Pulley Shaft Set Screw |
| 150184 | 16394 | " " " " " Support Bracket with two wood screws 1 in., No. 12, F. H. |
| 126870 | 16394 | Table Belt Guide complete, Nos. 12620, 50285R, 126841, 126846, 126868, 150183, 150184, two each 126750 and 126869 |
| 126715 | 16395 | Transmitter Pulley (sectional, grooved) sheet metal, 5-1/4 in. diameter |

ACCESSORIES

| No. | Plate | Name |
|--------|-------|--|
| 228599 | 16388 | Driving Equipment complete, for Old Style or Singer Universal Power Table (flat) Nos. 27068, 228578, 228596, 228628, 228631 234342, 234344 and blue print template |
| 228605 | 16391 | Driving Equipment complete, for Individual Motor Table, Nos. 228627 to 228629 |
| 228609 | 16389 | Driving Equipment complete, for Bridgeport Old Style Power Table (trough) or Singer Universal Power Table (trough), Nos. 27068, 228578, 228596, 228608, 228628, 228631, 234344 and blue print template |
| 228611 | 16390 | Driving Equipment complete, for E'port Old Style Power Table (trough), Nos. 27068, 228578, 228596, 228610, 228628, 228631, 234344 and blue print template |
| 228612 | 16392 | Driving Equipment complete, for Power Table (flat) with Electric Transmitter Motor, Nos. 228627, to 228629, 234342 234344 and blue print template |
| 228613 | 16393 | Driving Equipment complete, for E'port Power Table (trough) with Electric Transmitter Motor, Nos. 228610, 228627 to 228629, 234344 and blue print template |
| 228645 | 16395 | Driving Equipment complete, for Singer Universal Safety Power Table (flat), Nos. 126715, 126870, 126890, 228627, 228628, 228630, 234349 and blue print template |
| 228646 | 16396 | Driving Equipment complete, for Singer Universal Safety Power Table (trough) Nos. 126715, 126870, 126890, 228627, 228628, 228630, 234350 and blue print template |

BUTTONHOLE CUTTING BLOCKS

| | | |
|--------|-------|--|
| 254052 | 16432 | Buttonhole Cutting Block (steel), 3/4 in. (eye or taper bar) |
| 254053 | 16432 | Buttonhole Cutting Block (steel), 7/8 in. (eye or taper bar) |

BUTTONHOLE CUTTING KNIVES

| No. | Plate | Name |
|--------|-------|--|
| 254054 | 16432 | Buttonhole Cutting Knife (.100 x .180 eye) |
| 254055 | 16432 | Buttonhole Cutting Knife (.126 x .180 eye) |

PATTERN WHEELS

For making Eyelet End Buttonholes with **LARGE EYE, TAPER BAR** and .025 in. cutting space

| | | |
|--------|-------|---|
| 254079 | 16436 | Pattern Wheel, 3/4 in., complete, bar adjustable from 1/8 to 3/8 in., Nos. 254078, 254089, two each 203E, 250372 and three 391D |
| 254081 | 16436 | Pattern Wheel, 7/8 in., complete, bar adjustable from 1/8 to 1/4 in., Nos. 254080, 254089, two each 203E, 250372 and three 391D |

For making Eyelet End Buttonholes with **EXTRA LARGE EYE, TAPER BAR** and .050 in. cutting space

| | | |
|--------|-------|--|
| 254085 | 16436 | Pattern Wheel, 3/4 in., complete, bar adjustable from 1/8 to 3/8 in., Nos. 254084, 254089, two each 203E, 250372 and three 391D |
| 254087 | 16436 | Pattern Wheel, 7/8 in., complete, bar adjustable from 1/8 to 1/4 in., Nos. 254086, 254089, two each 203E, 250372 and three 391D |
| 254078 | 16436 | Pattern Wheel, for 3/4 in. Taper Bar (large eye) Buttonhole .025 in. cutting space, bar adjustable from 1/8 to 3/8 in., with 256205 and two 205D |
| 254080 | 16436 | Pattern Wheel, for 7/8 in. Taper Bar (large eye) Buttonhole, .025 in. cutting space, bar adjustable from 1/8 to 1/4 in., with 256205 and two 205D |
| 254084 | 16436 | Pattern Wheel, for 3/4 in. Taper Bar (extra large eye) Buttonhole, .050 in. cutting space bar adjustable from 1/8 to 3/8 in., with 256205 and two 205D |

| No. | Plate | Name |
|--------|-------|--|
| 254086 | 16436 | Pattern Wheel, for 7/8 in. Taper Bar (extra large eye) Buttonhole, .050 in. cutting space, bar adjustable, from 1/8 to 1/4 in., with 256205 and two 205D |
| 256205 | 16436 | Pattern Wheel Position Plate |
| 205D | 16436 | " " " " Screw |
| 250372 | 16436 | " " Rapid Feed Trip Point |
| 203E | 16436 | " " " " " " Screw |
| 252260 | 16436 | " " Ring (adjustable) |
| 254089 | 16436 | " " " 252260 with 252662, 252663, two each 211E and 250444 |
| 252662 | 16436 | Pattern Wheel Ring Adjusting Segment (curved rise) |
| 252663 | 16436 | Pattern Wheel Ring Adjusting Segment (straight drop) |
| 211E | 16436 | Pattern Wheel Ring Adjusting Segment Screw |
| 250444 | 16436 | Pattern Wheel Ring Adjusting Segment Screw Washer |
| 391D | 16436 | Pattern Wheel Ring Screw |

SHAFT PULLEYS

| | | |
|--------|-------|--|
| 27271 | 16388 | Shaft Pulley (sectional, grooved), 4 in. diam., 1-3/16 in. bore with two 597C |
| 232920 | 16388 | Shaft Pulley (sectional, grooved), 4-1/2 in. diam., 1-3/16 in. bore, with two 597C |
| 27065 | 16388 | Shaft Pulley (sectional, grooved), 5 in. diam., 1-3/16 in. bore, with two 597C |
| 232879 | 16388 | Shaft Pulley (sectional, grooved), 5-1/2 in. diam., 1-3/16 in. bore, with two 597C |
| 27066 | 16388 | Shaft Pulley (sectional, grooved), 6 in. diam., 1-3/16 in. bore with two 597C |
| 232880 | 16388 | Shaft Pulley (sectional, grooved), 6-1/2 in. diam., 1-3/16 in. bore with two 597C |
| 27067 | 16388 | Shaft Pulley (sectional, grooved), 7 in. diam., 1-3/16 in. bore, with two 597C |
| 232881 | 16388 | Shaft Pulley (sectional, grooved), 7-1/2 in. diam., 1-3/16 in. bore with two 597C |
| 27068 | 16388 | Shaft Pulley (sectional, grooved), 8 in. diam., 1-3/16 in. bore with two 597C |
| 232882 | 16388 | Shaft Pulley (sectional, grooved), 8-1/2 in. diam., 1-3/16 in. bore, with two 597C |
| 27069 | 16388 | Shaft Pulley (sectional, grooved), 9 in. diam., 1-3/16 in. bore, with two 597C |
| 232883 | 16388 | Shaft Pulley (sectional, grooved), 9-1/2 in. diam., 1-3/16 in. bore, with two 597C |

SHAFT PULLEYS

| No. | Plate | Name |
|-------|-------|---|
| 27070 | 16388 | Shaft Pulley (sectional, grooved), 10 in. diam., 1-3/16 in. bore, with two 597C |
| 27072 | 16388 | Shaft Pulley (sectional, grooved), 12 in. diam., 1-3/16 in. bore, with two 597C |
| 27074 | 16388 | Shaft Pulley (sectional, grooved), 14 in. diam., 1-3/16 in. bore with two 597C |
| 27075 | 16388 | Shaft Pulley (sectional, grooved), 15 in. diam., 1-3/16 in. bore, with two 597C |

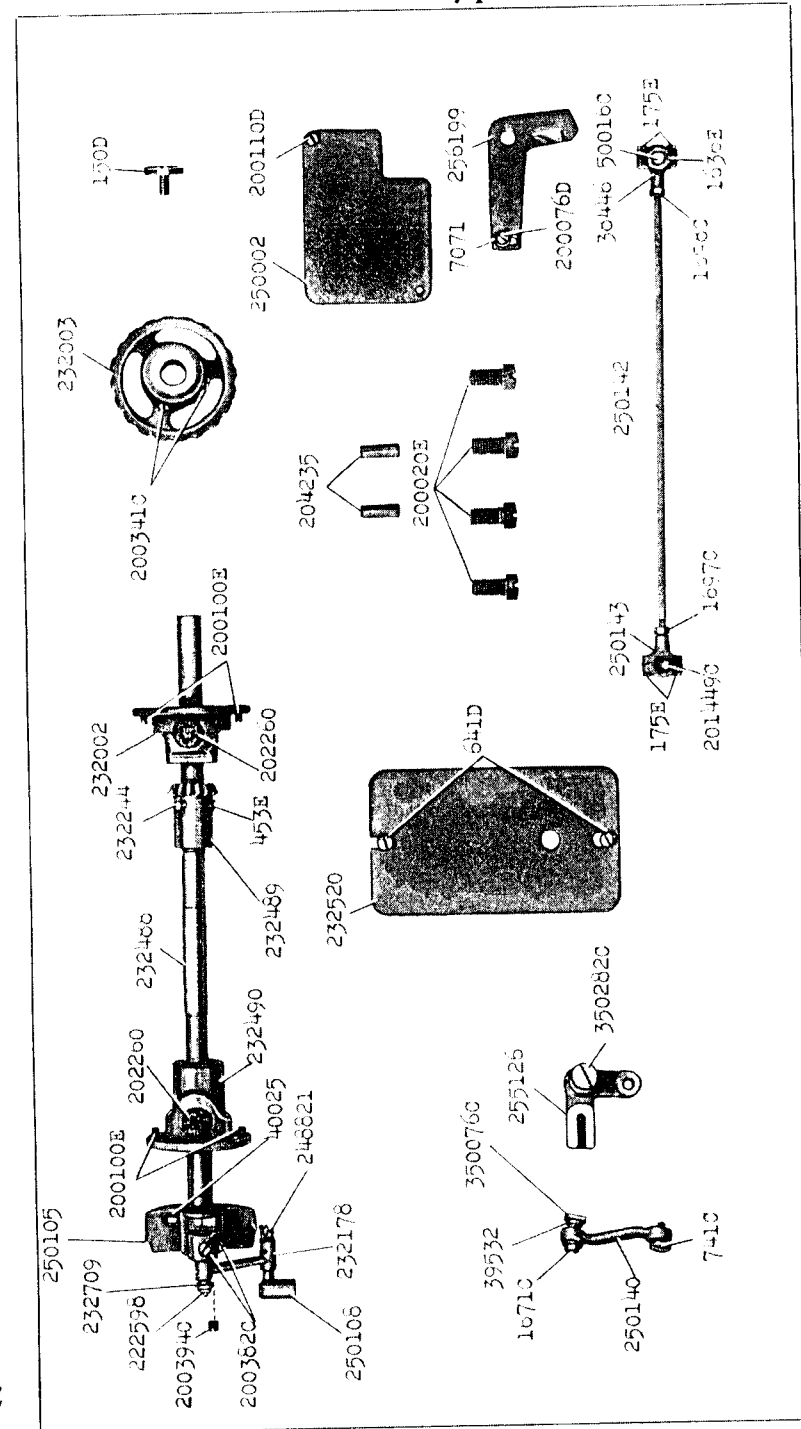
SINGER KNIFE TRUEING FIXTURE

| | | |
|--------|-------|---|
| 232870 | 16401 | Base with 448C |
| 232871 | 16401 | " 232870 with 59D, 232872 and 232876 |
| 232872 | 16401 | Knife Clamping Lever |
| 59D | 16401 | " " " Hinge Screw |
| 232873 | 16401 | Oil Stone |
| 232874 | 16401 | " " Bracket with three 448C |
| 232875 | 16401 | " " " 232874 with 232873 and 232877 |
| 232876 | 16401 | Oil Stone Bracket Shaft |
| 448C | 16401 | " " " " Set Screw |
| 448C | 16401 | " " " " Set Screw |
| 232877 | 16401 | " " " " Friction Gib |
| 232878 | 16401 | Singer Knife Trueing Fixture complete, Nos. 232871 and 232875 |

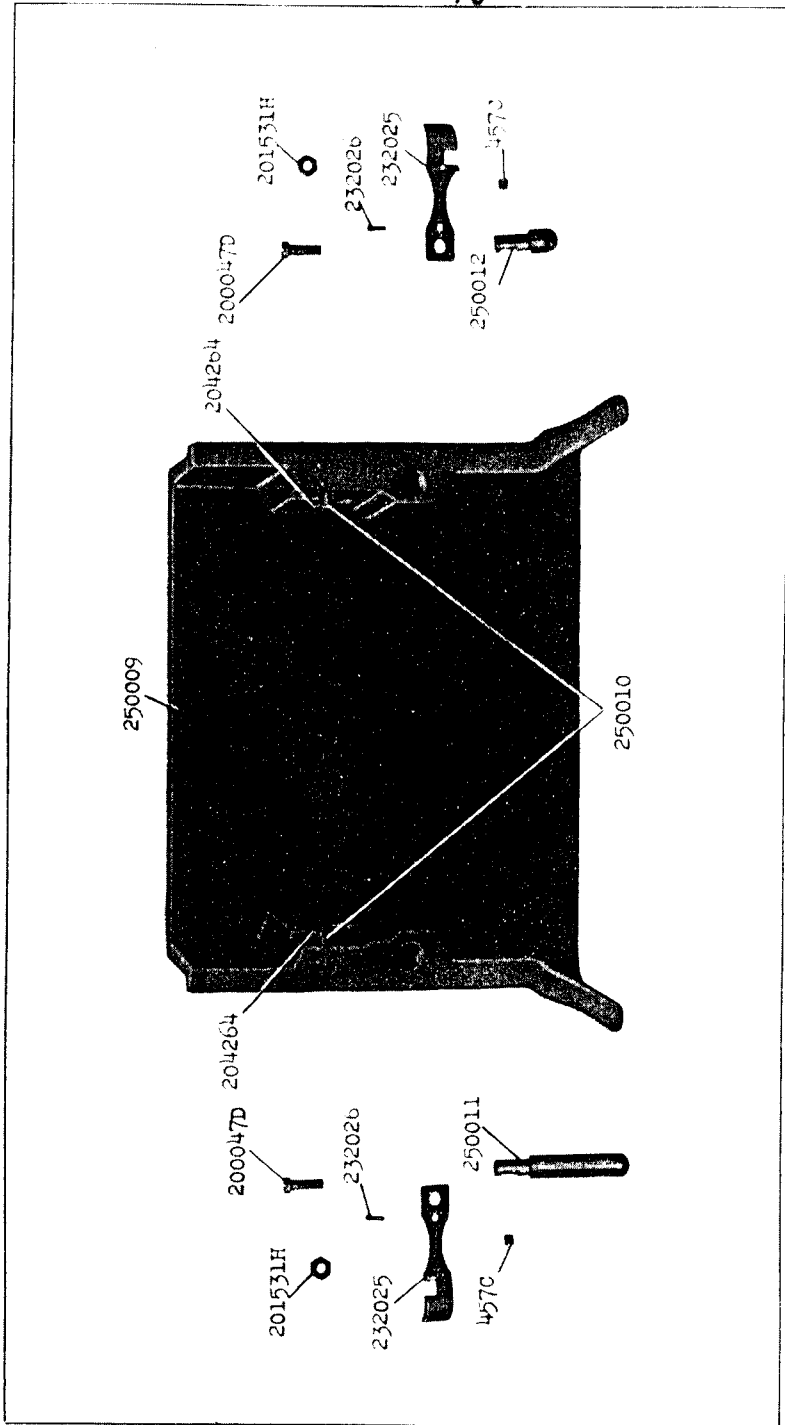
THREAD LUBRICATING CUP

| | | |
|--------|-------|---|
| 250518 | 16431 | Thread Lubricating Cup with 171E, 250519 and 250520 |
| 250519 | 16431 | Thread Lubricating Cup Oil Pad |
| 171E | 16431 | " " " " Finch Screw |
| 250520 | 16431 | " " " " Thread Guide |

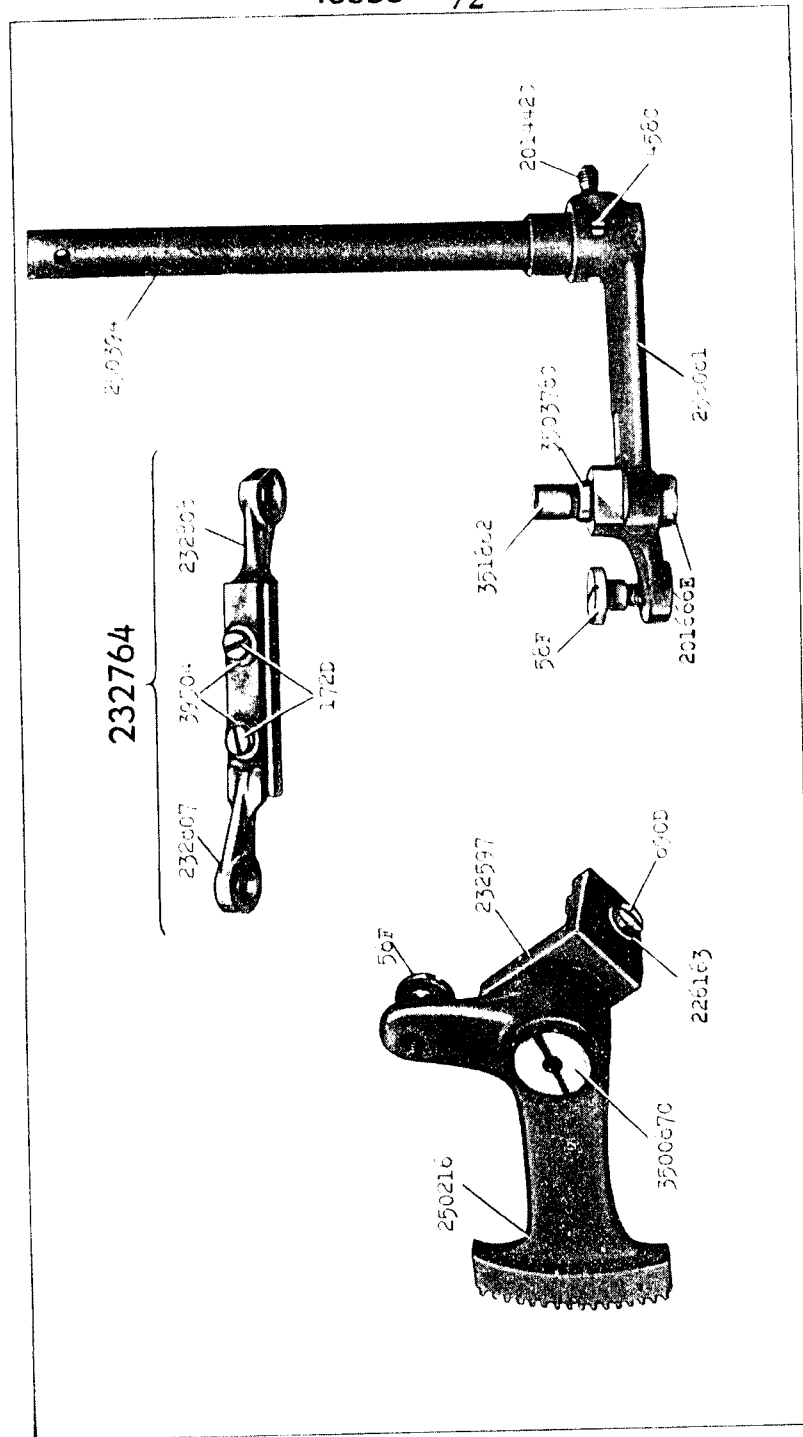
16348 - 1/4



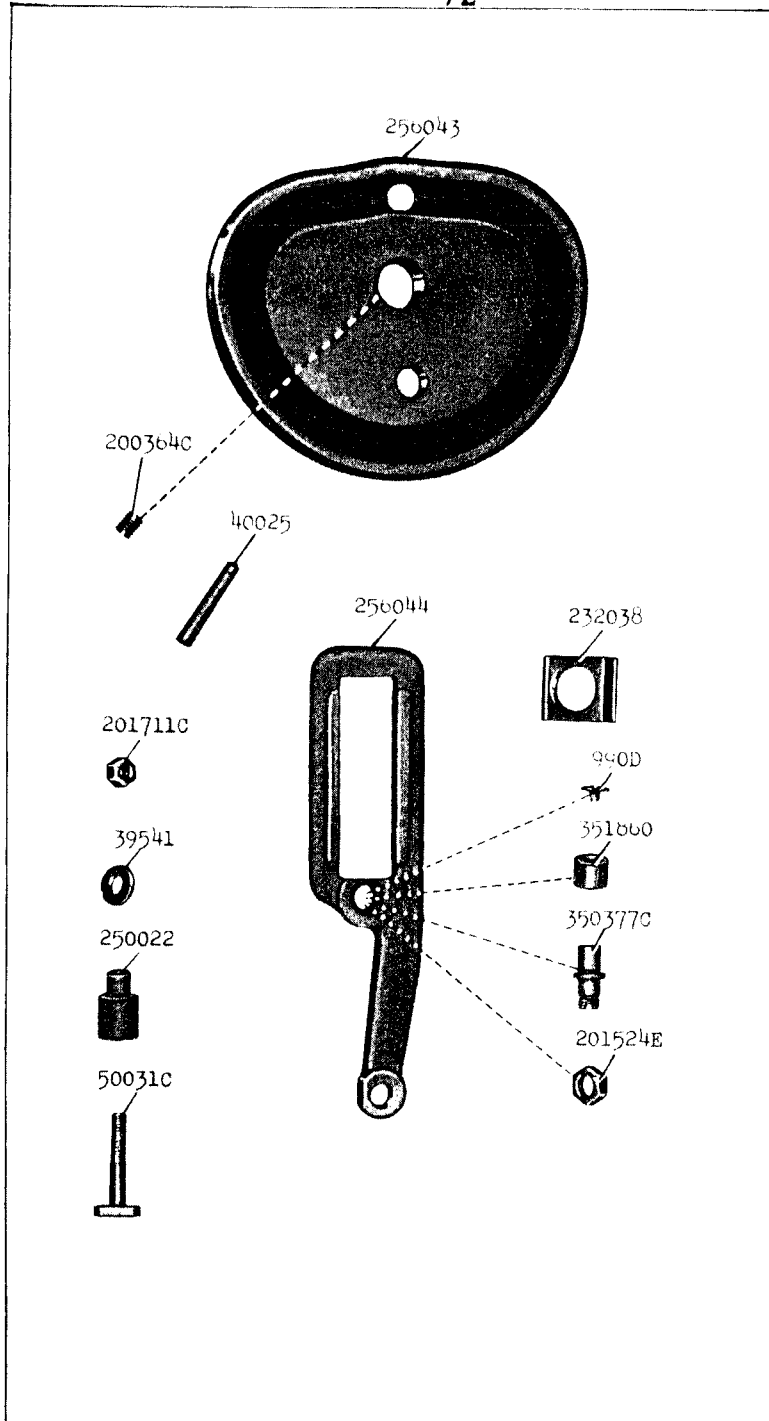
16350 - 1/3



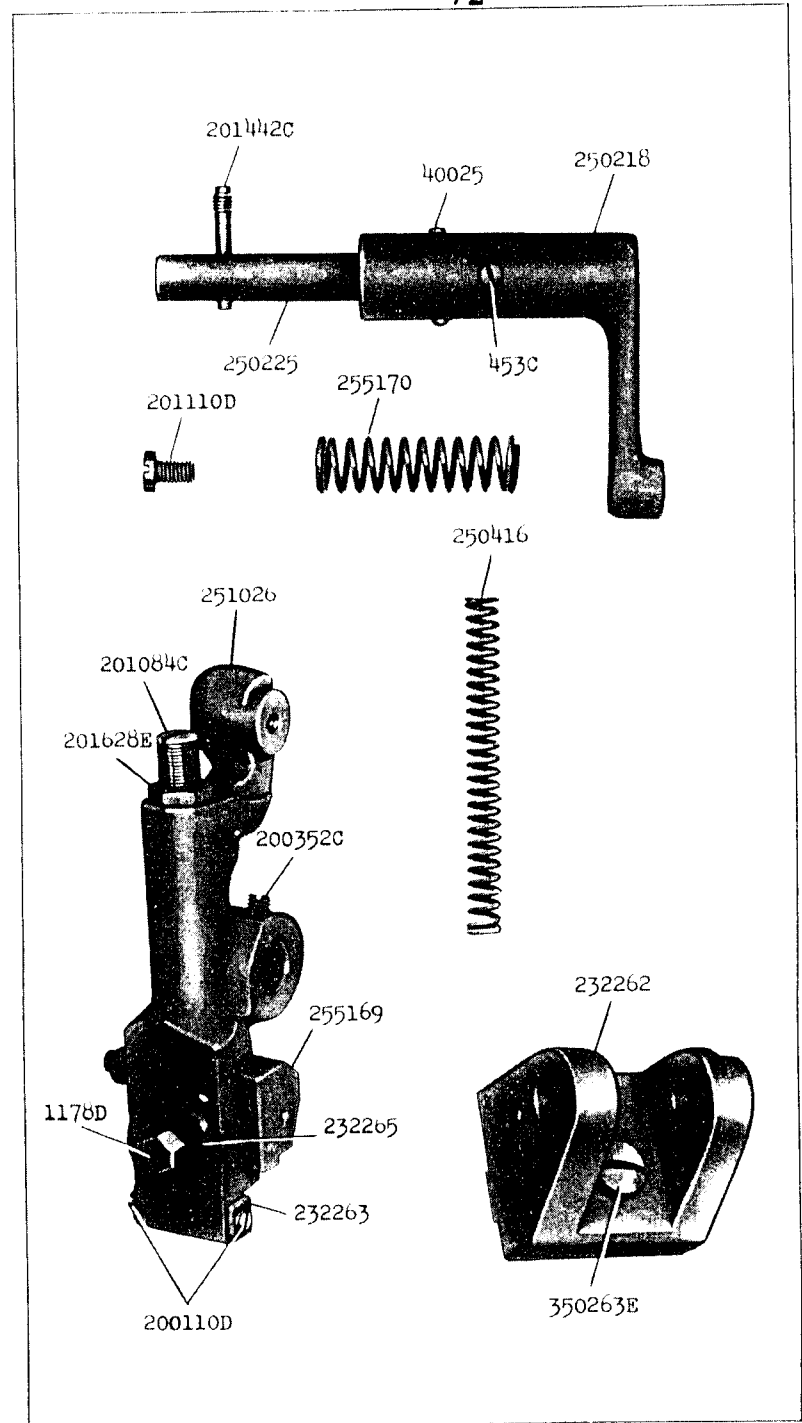
16355 - 1/2



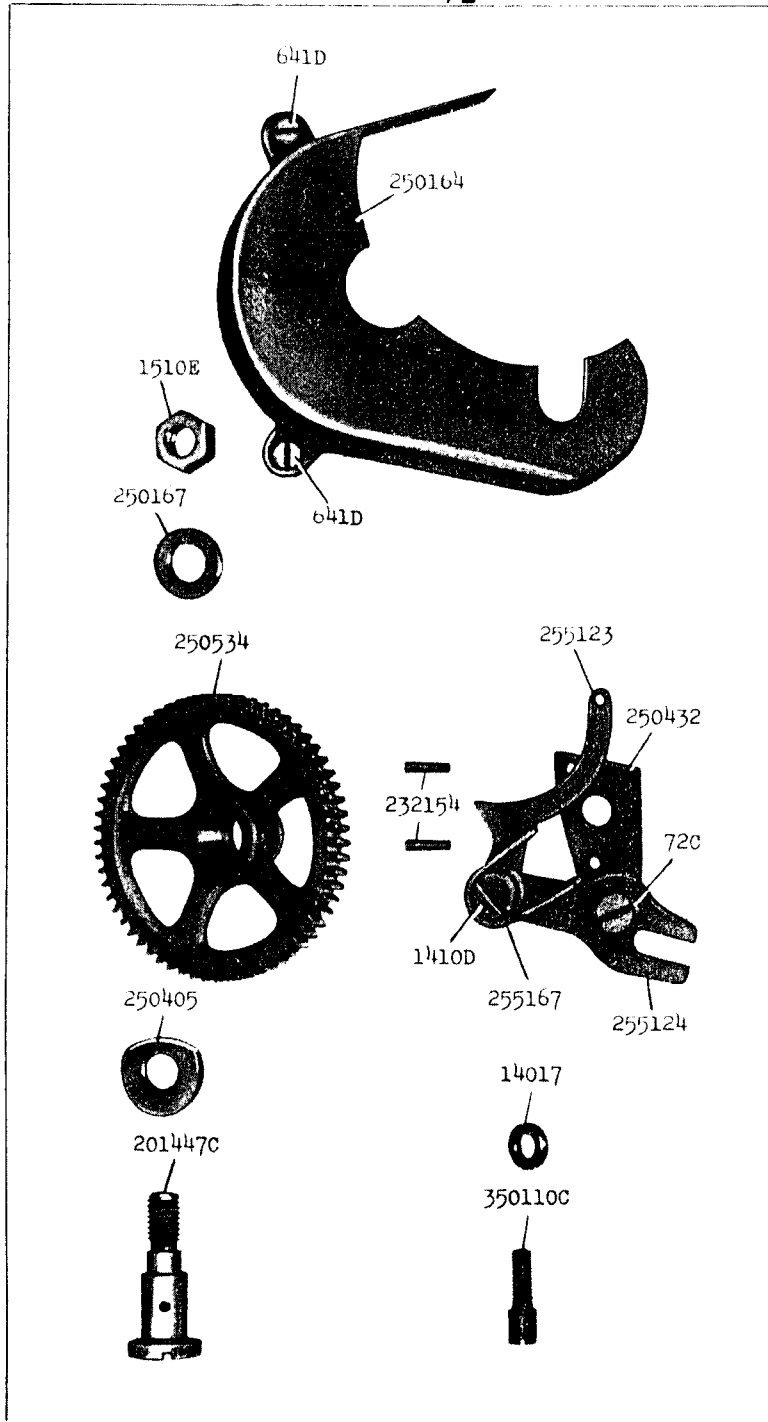
16356 - 1/2



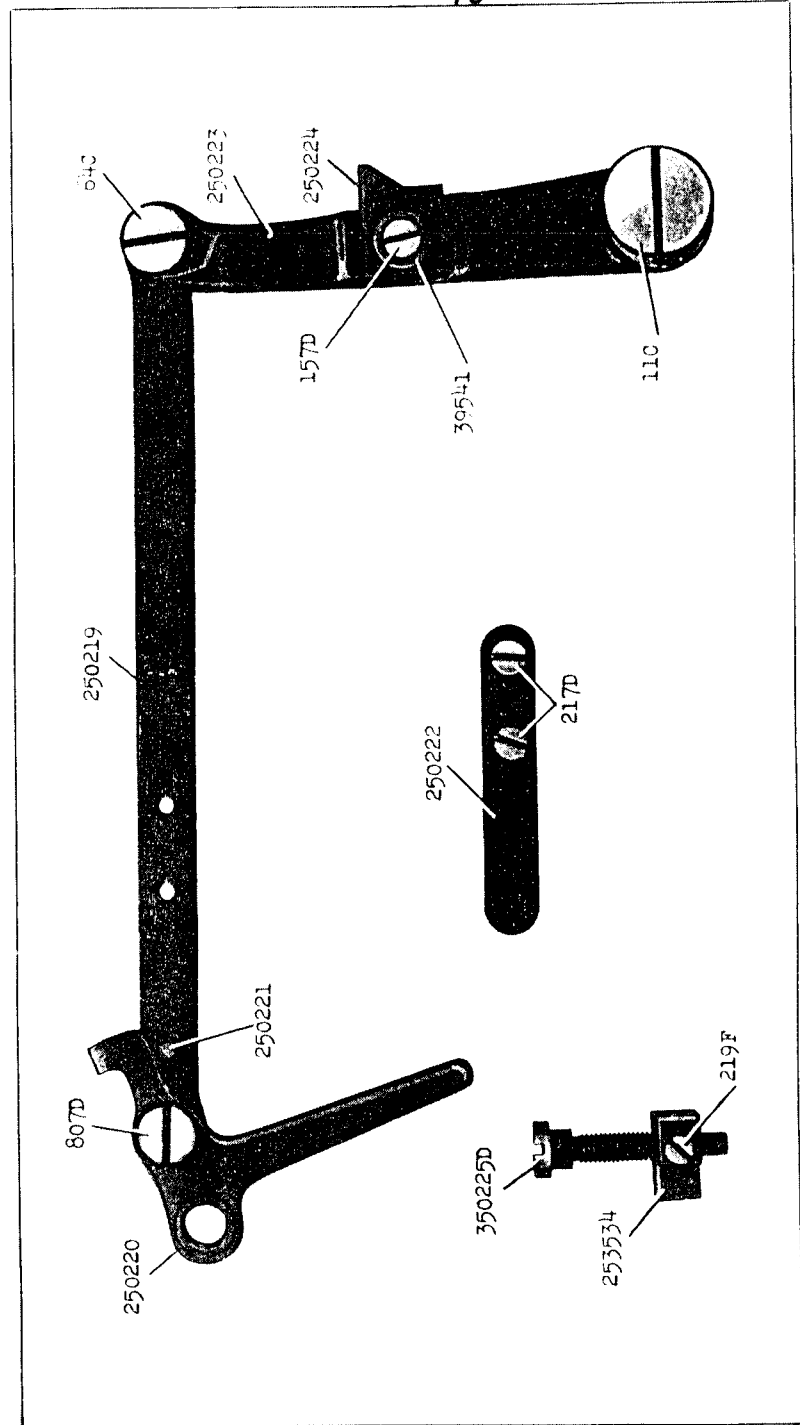
16363 - 1/2



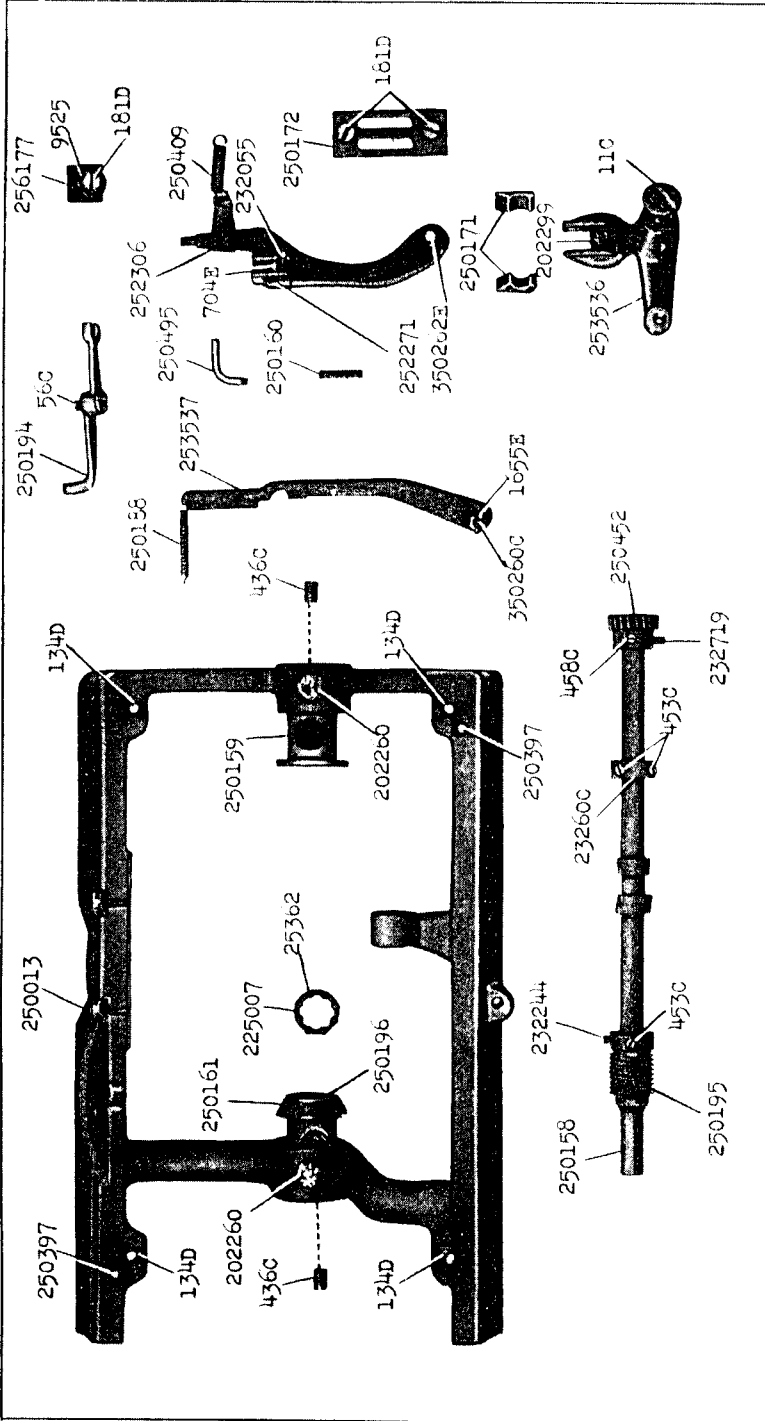
16364 - 1/2



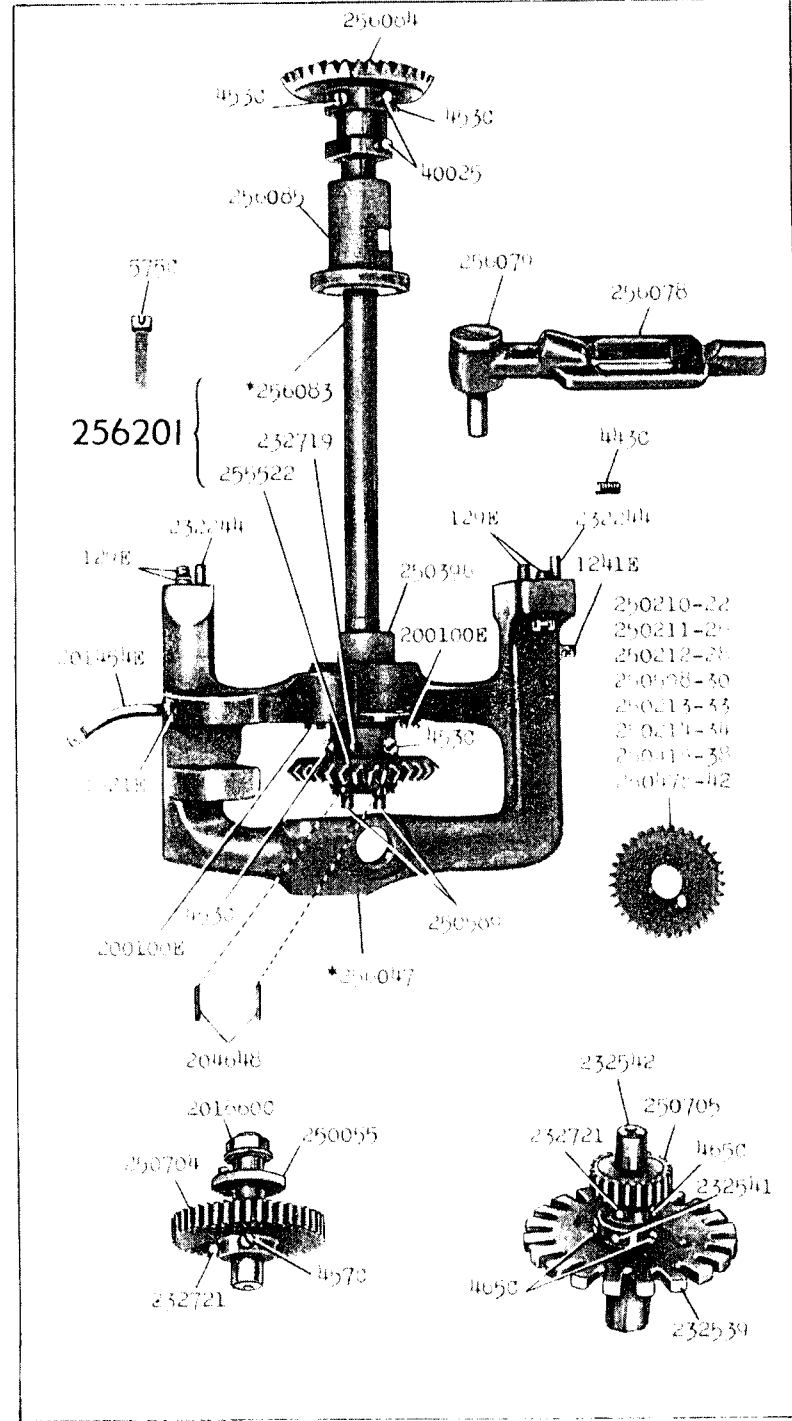
16365 - 2/3



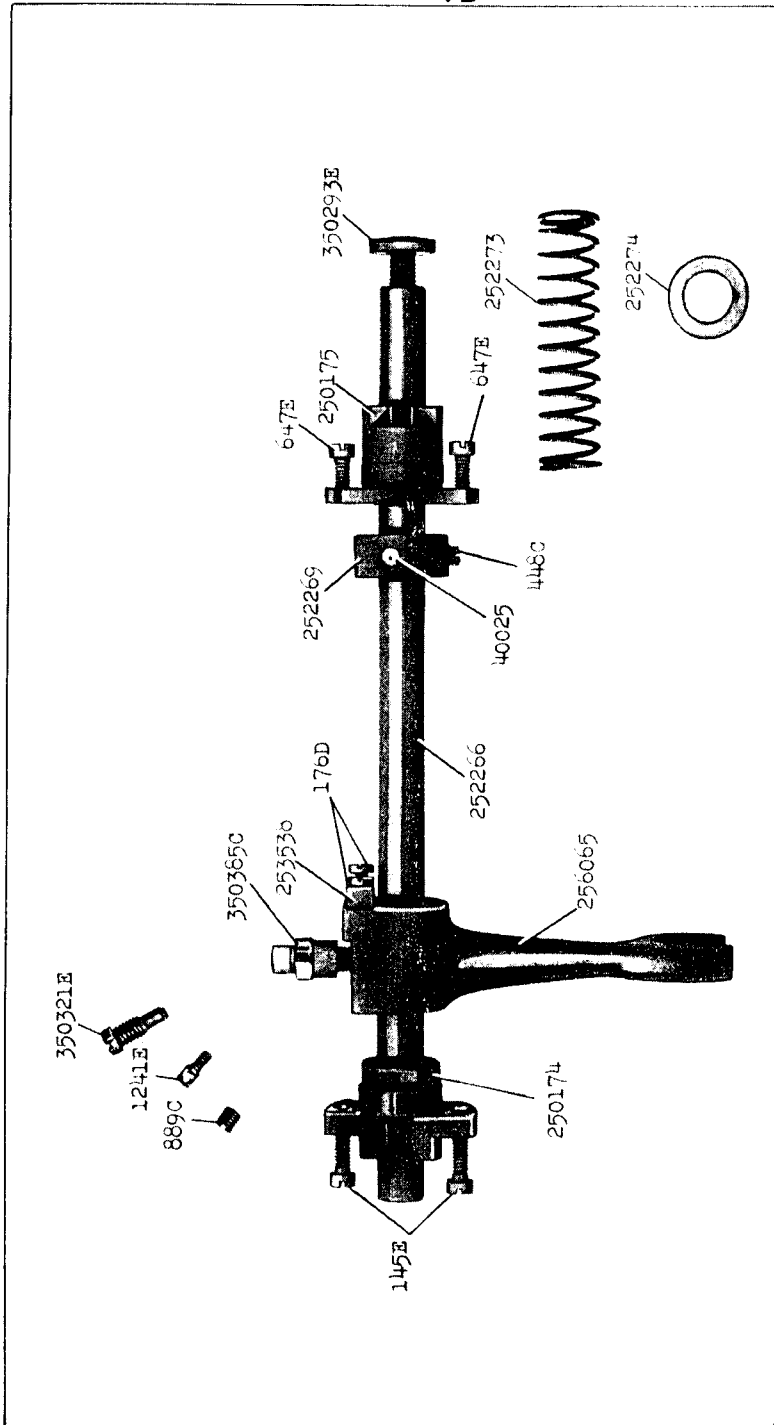
16367 - 1/4



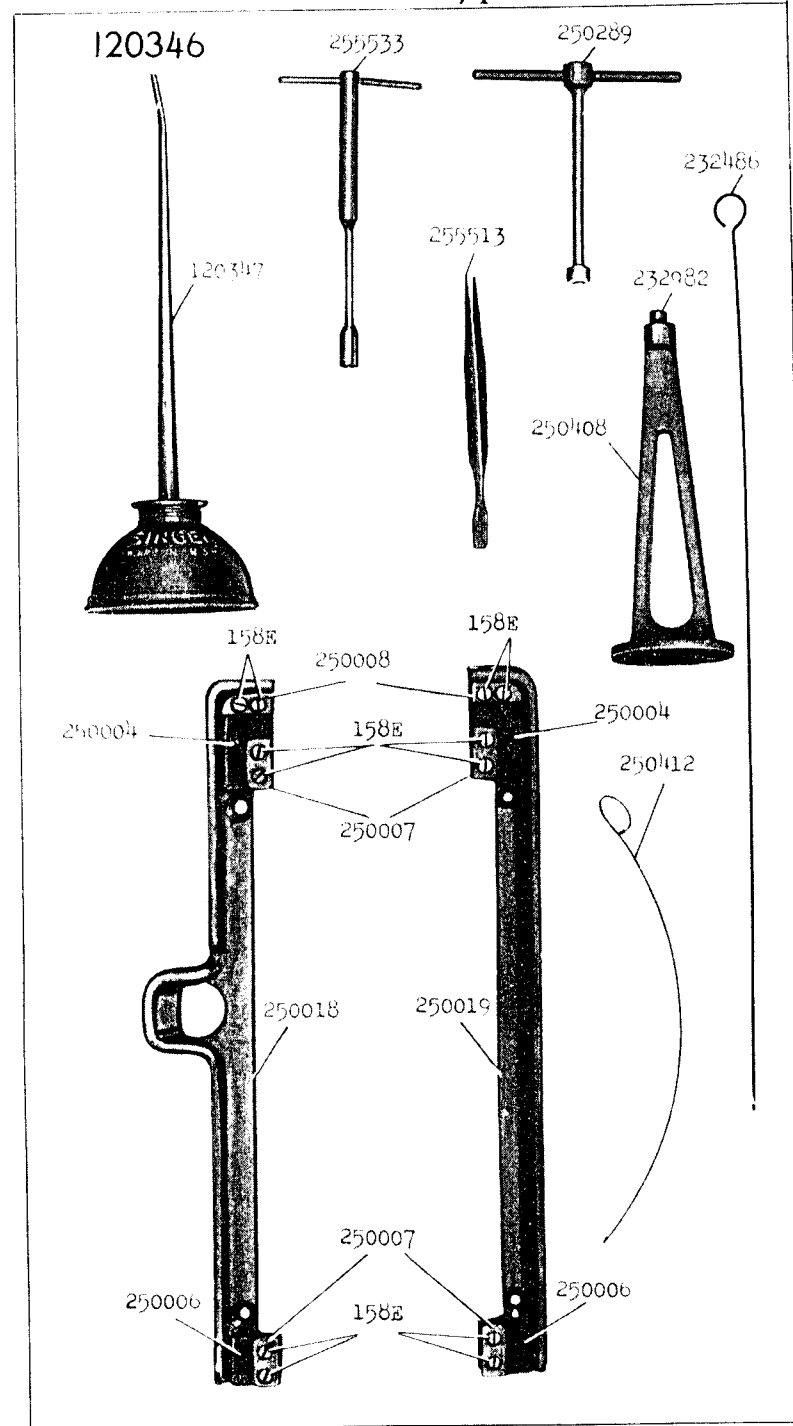
16368 - 3/8



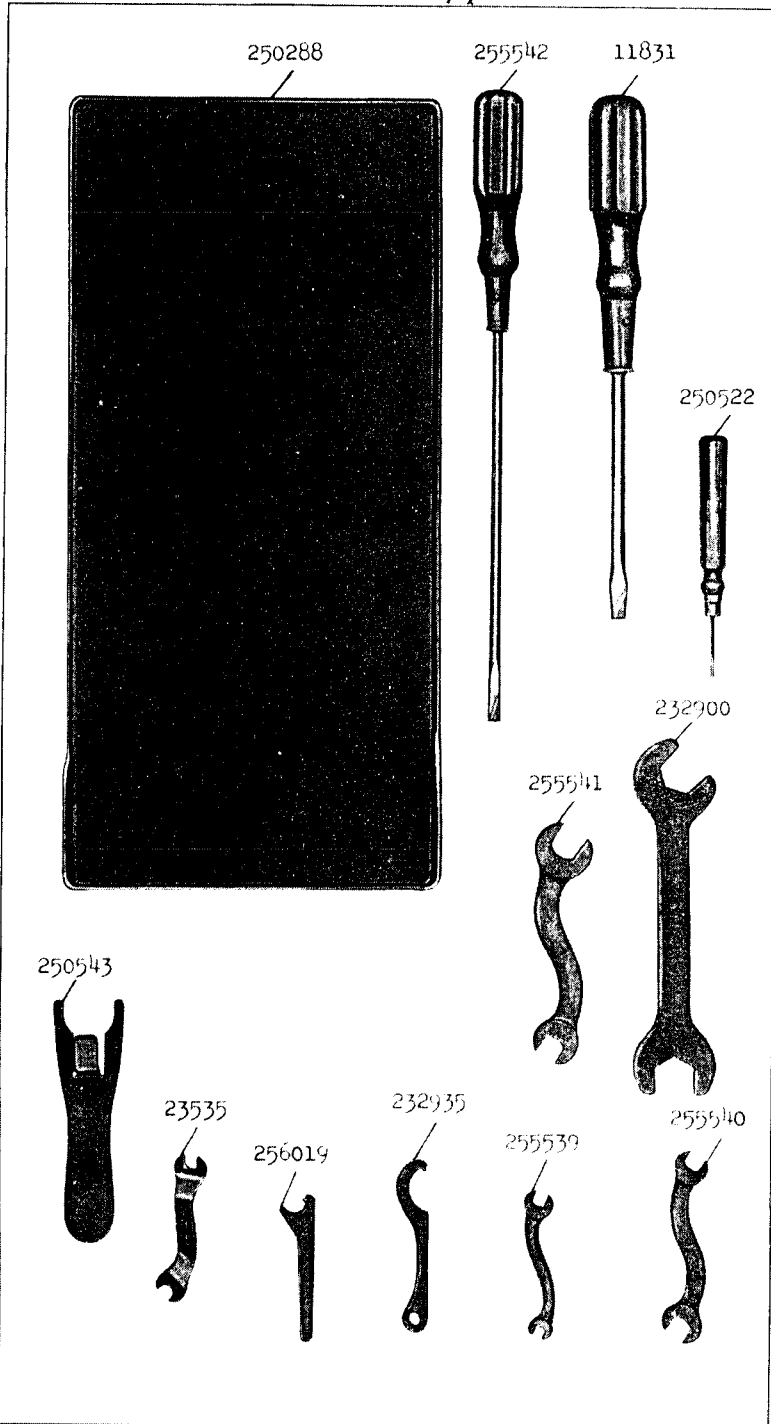
16372 - 1/2



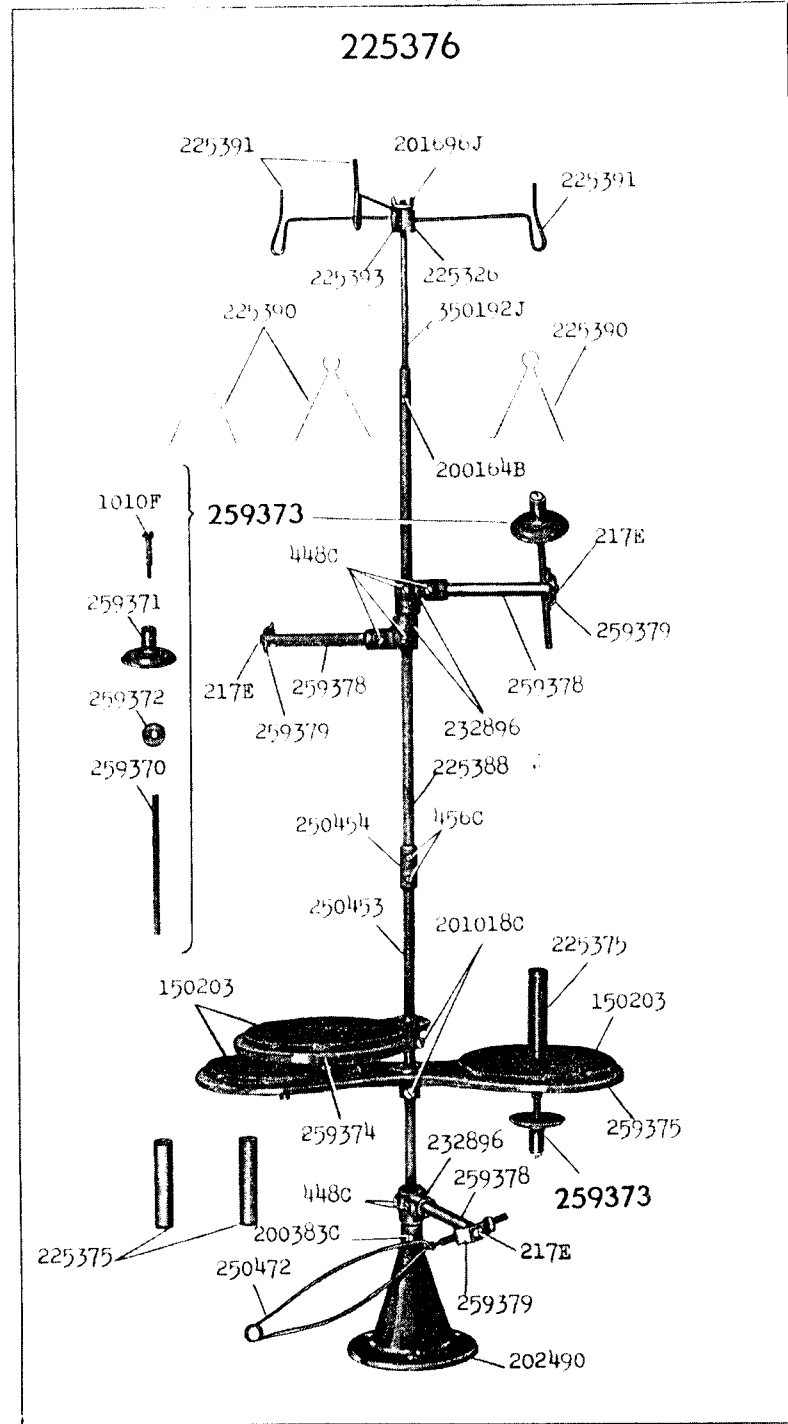
16382 - 1/4



16383 - 1/4



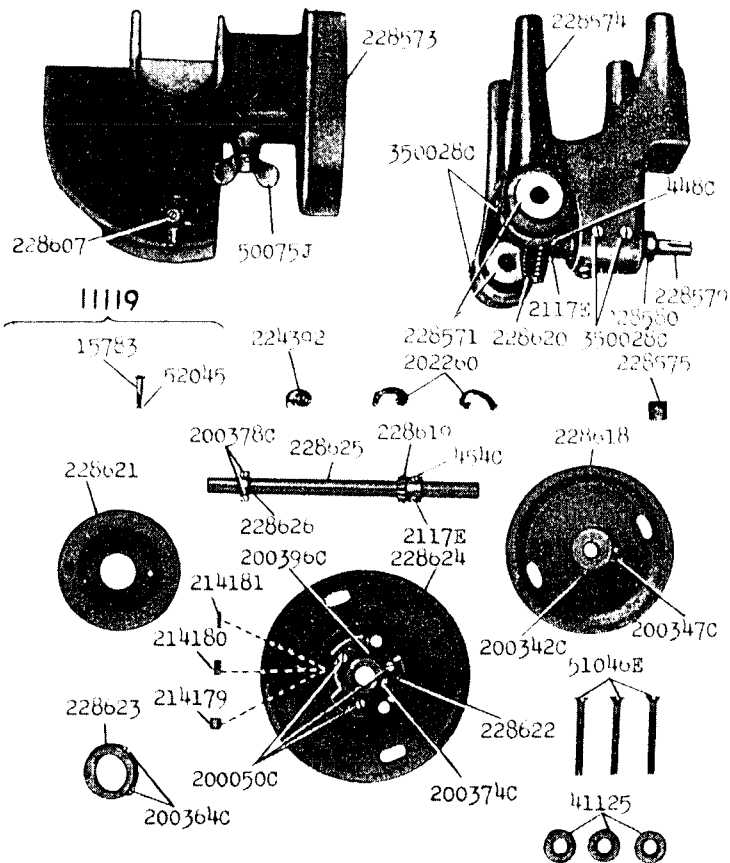
16385 - 1/6



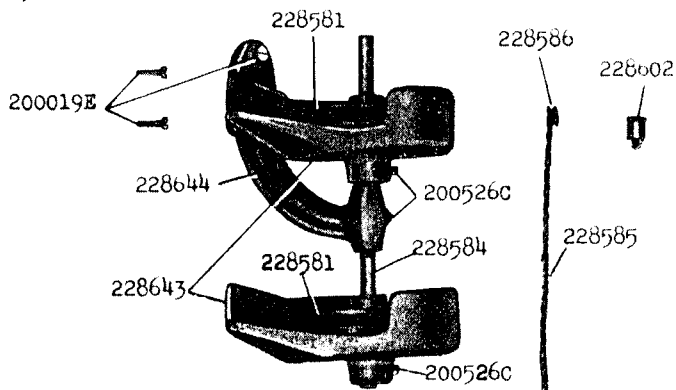
16386 - 1/6

228578

228627

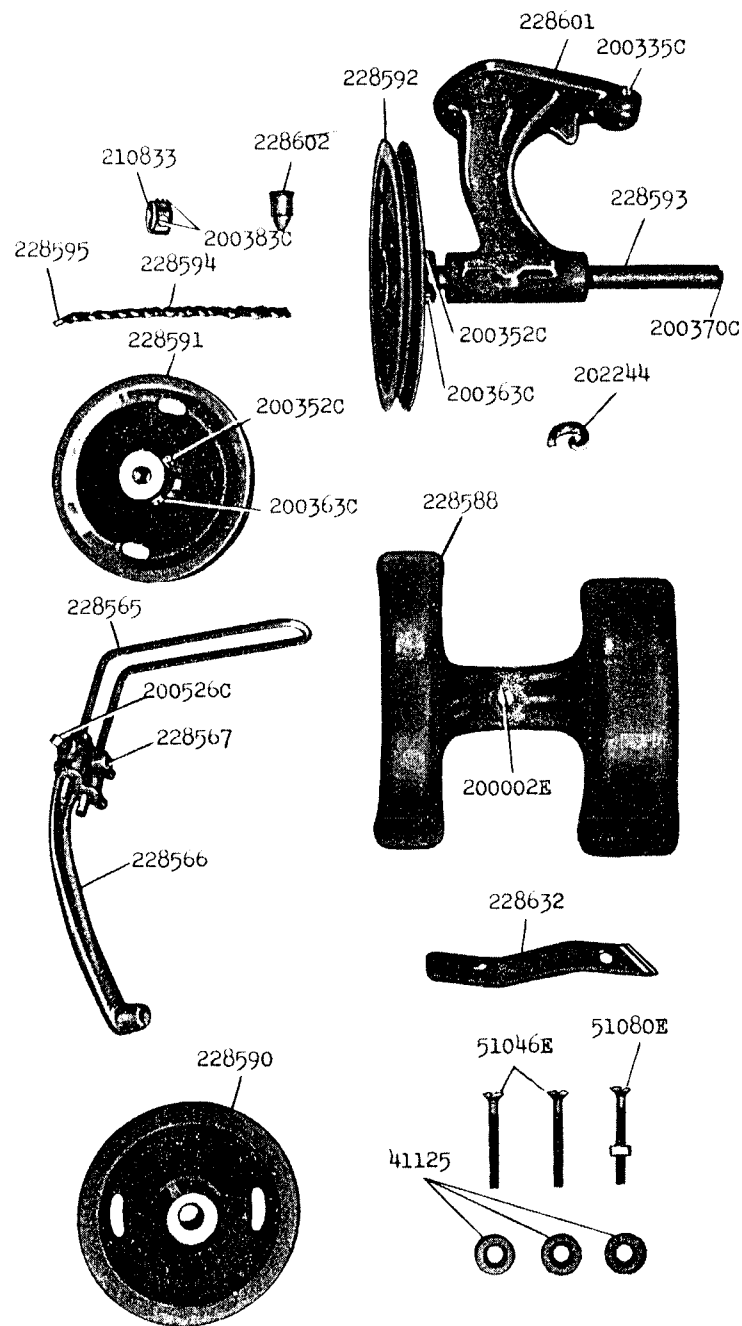


228587



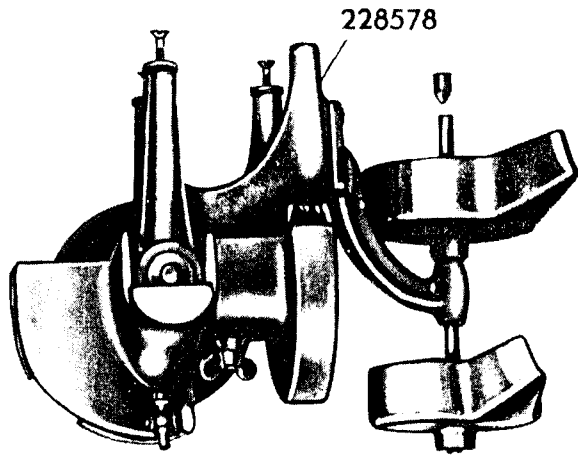
16387 - 1/5

228596



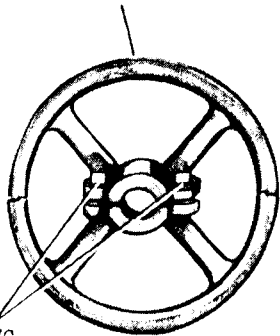
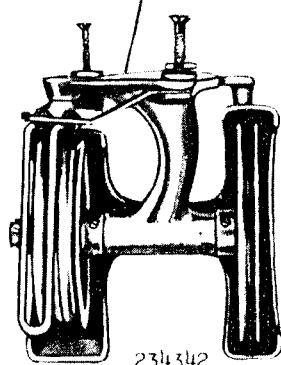
16388 - 1/6

228599

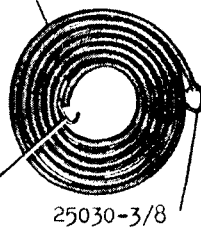
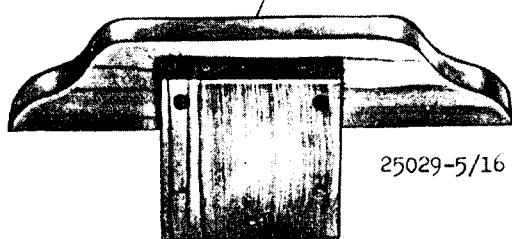


- | | |
|--------------|--------------|
| 27271-4 | 27068-8 |
| 232920-4-1/2 | 232882-8-1/2 |
| 27065-5 | 27069-9 |
| 232879-5-1/2 | 232883-9-1/2 |
| 27066-6 | 27070-10 |
| 232880-6-1/2 | 27072-12 |
| 27067-7 | 27074-14 |
| 232881-7-1/2 | 27075-15 |

228596

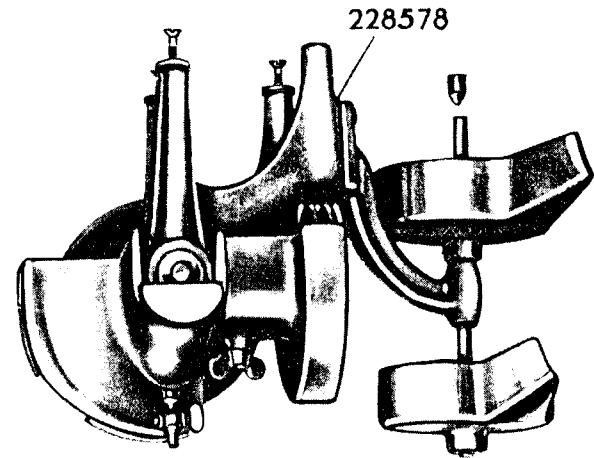


228628-5/16 x 83
228631-3/8 x 133



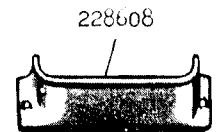
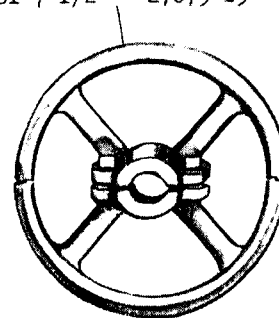
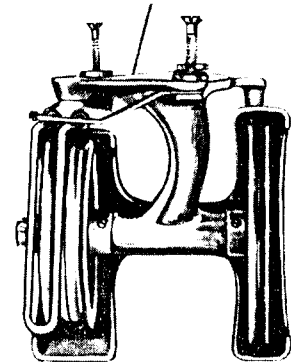
16389 - 1/6

228609

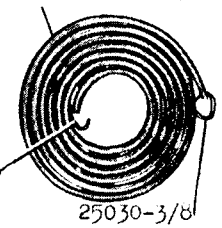
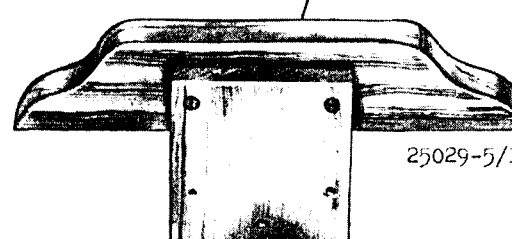


- | | |
|--------------|--------------|
| 27271-4 | 27068-8 |
| 232920-4-1/2 | 232882-8-1/2 |
| 27065-5 | 27069-9 |
| 232879-5-1/2 | 232883-9-1/2 |
| 27066-6 | 27070-10 |
| 232880-6-1/2 | 27072-12 |
| 27067-7 | 27074-14 |
| 232881-7-1/2 | 27075-15 |

228596

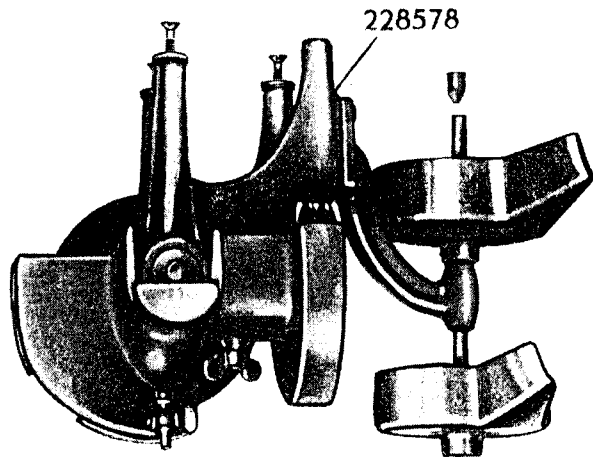


228628-5/16 x 83
228631-3/8 x 133



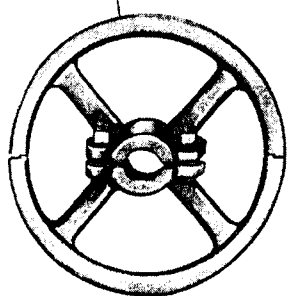
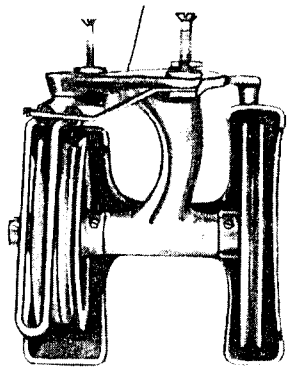
16390 - 1/6

228611



- | | |
|--------------|--------------|
| 27271-4 | 27068-8 |
| 232620-4-1/2 | 232682-8-1/2 |
| 27069-5 | 27069-6 |
| 232679-5-1/2 | 232683-9-1/2 |
| 27066-6 | 27070-10 |
| 232660-6-1/2 | 27072-12 |
| 27067-7 | 27074-14 |
| 232661-7-1/2 | 27075-15 |

228596

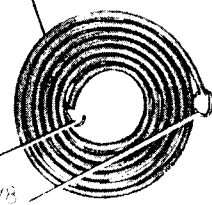
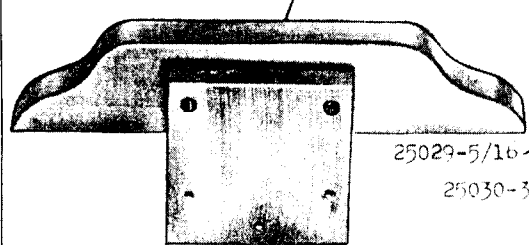


228610



228626-5/16 x 63
228631-3/8 x 133

234344

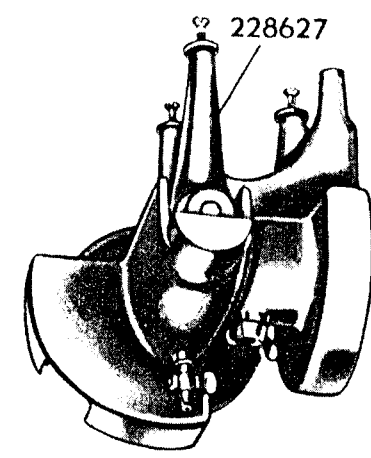


25029-5/16

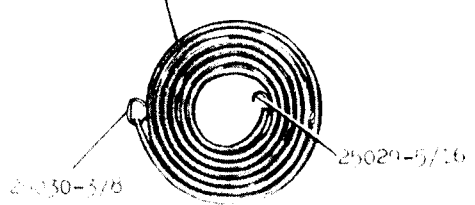
25030-3/8

16391 - 1/6

228605

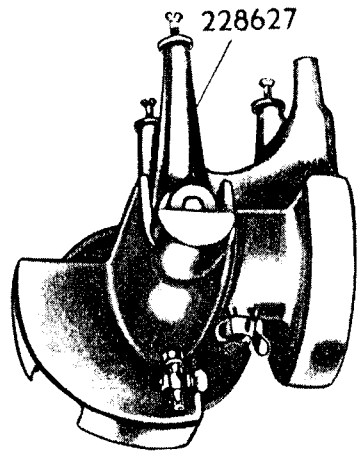


228626-5/16 x 63
228629-3/8 x 57

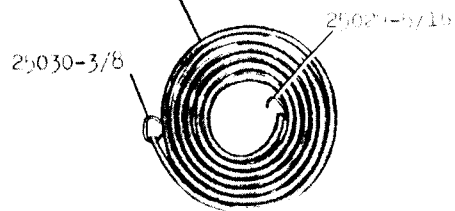


16392 - 1/6

228612



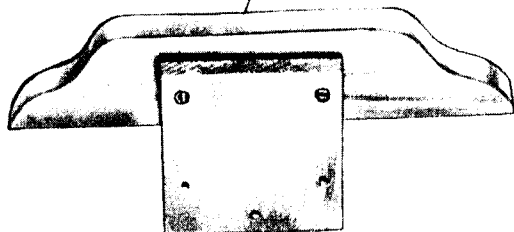
228626-5/16 x 53
228629-3/8 x 57



234342

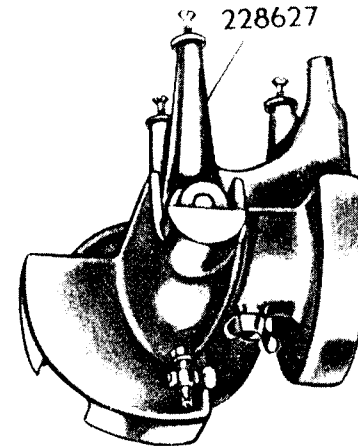


234344

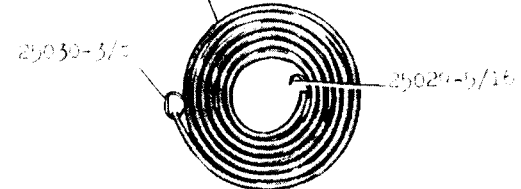


16393 - 1/6

228613



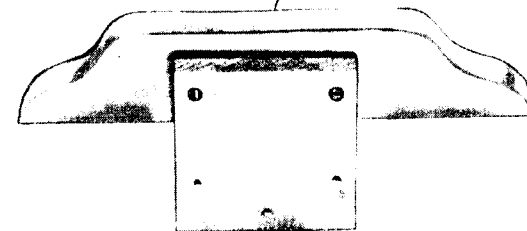
228626-5/16 x 53
228629-3/8 x 57



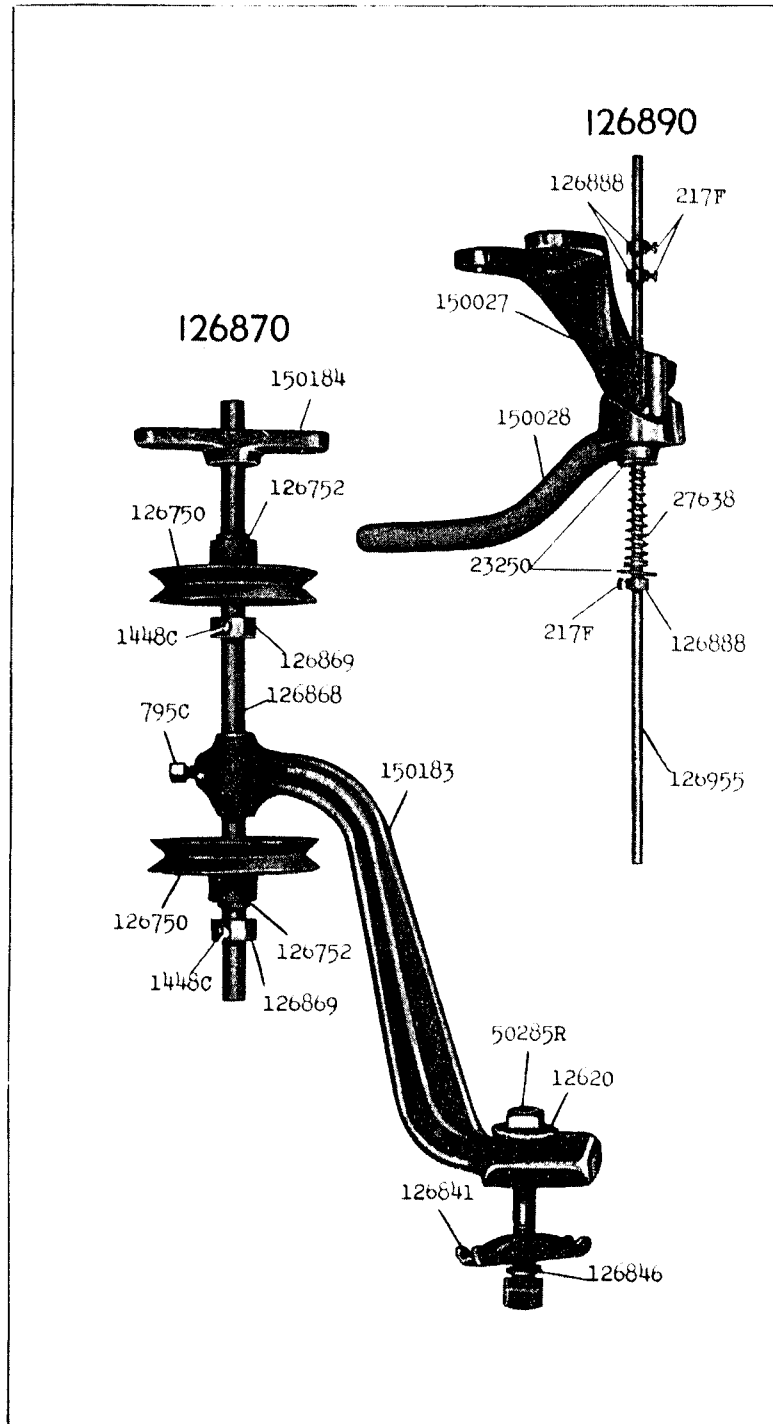
228610



234344

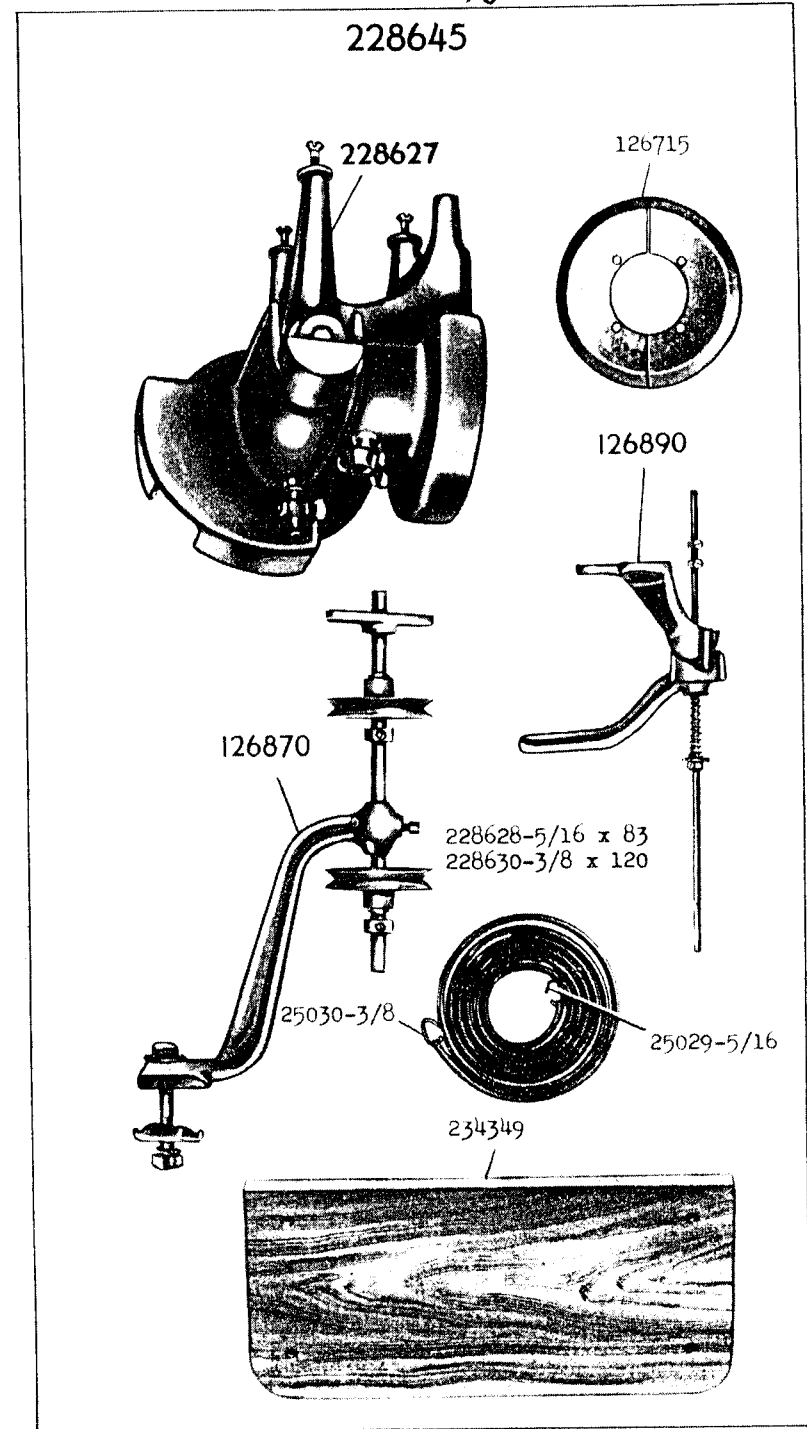


16394 - 1/4



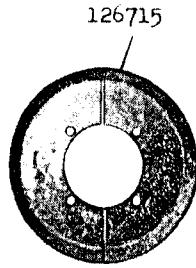
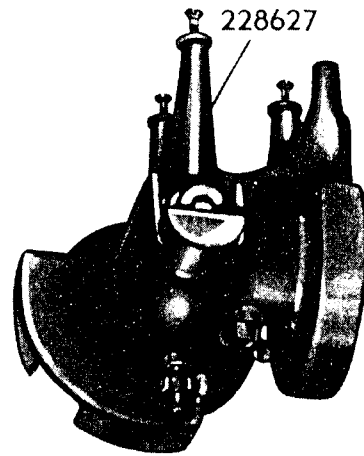
16395 - 1/6

228645

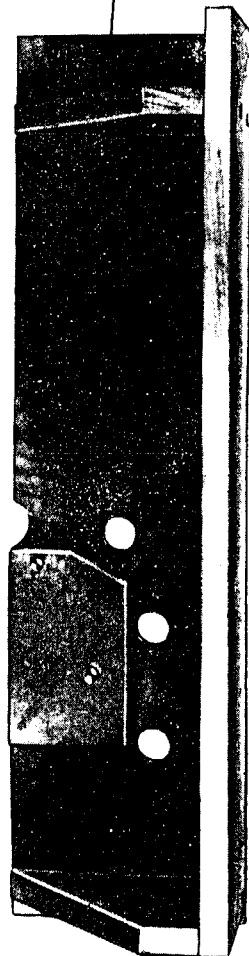


16396 - 1/6

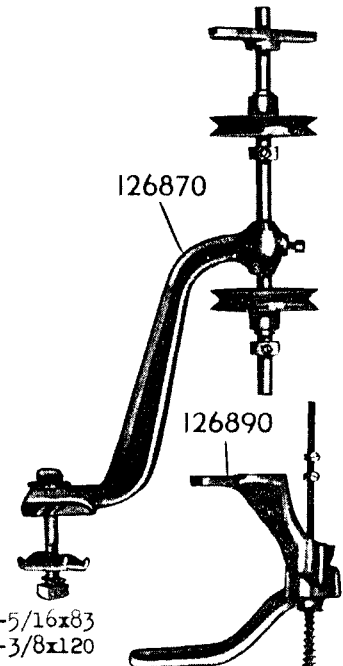
228646



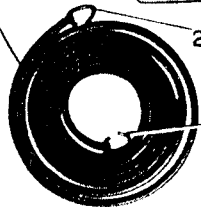
234350



126870



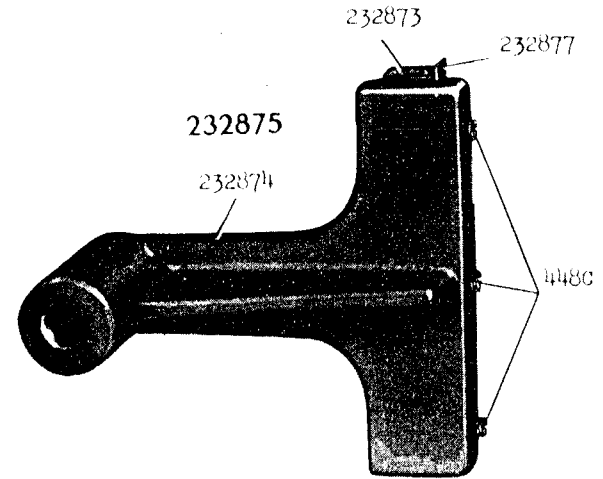
228628-5/16x83
228630-3/8x120



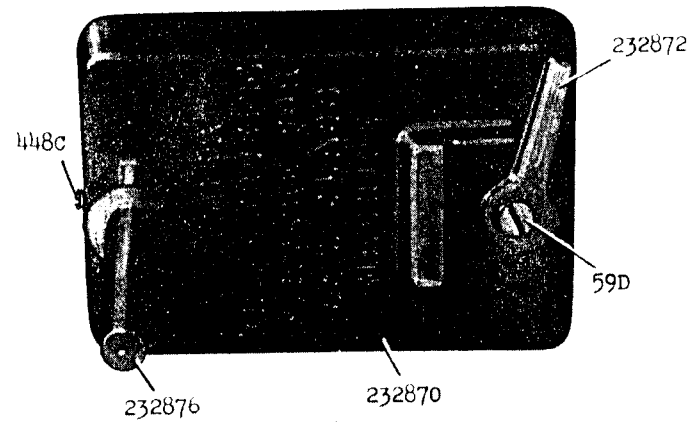
25029
5/16

16401 - 1/2

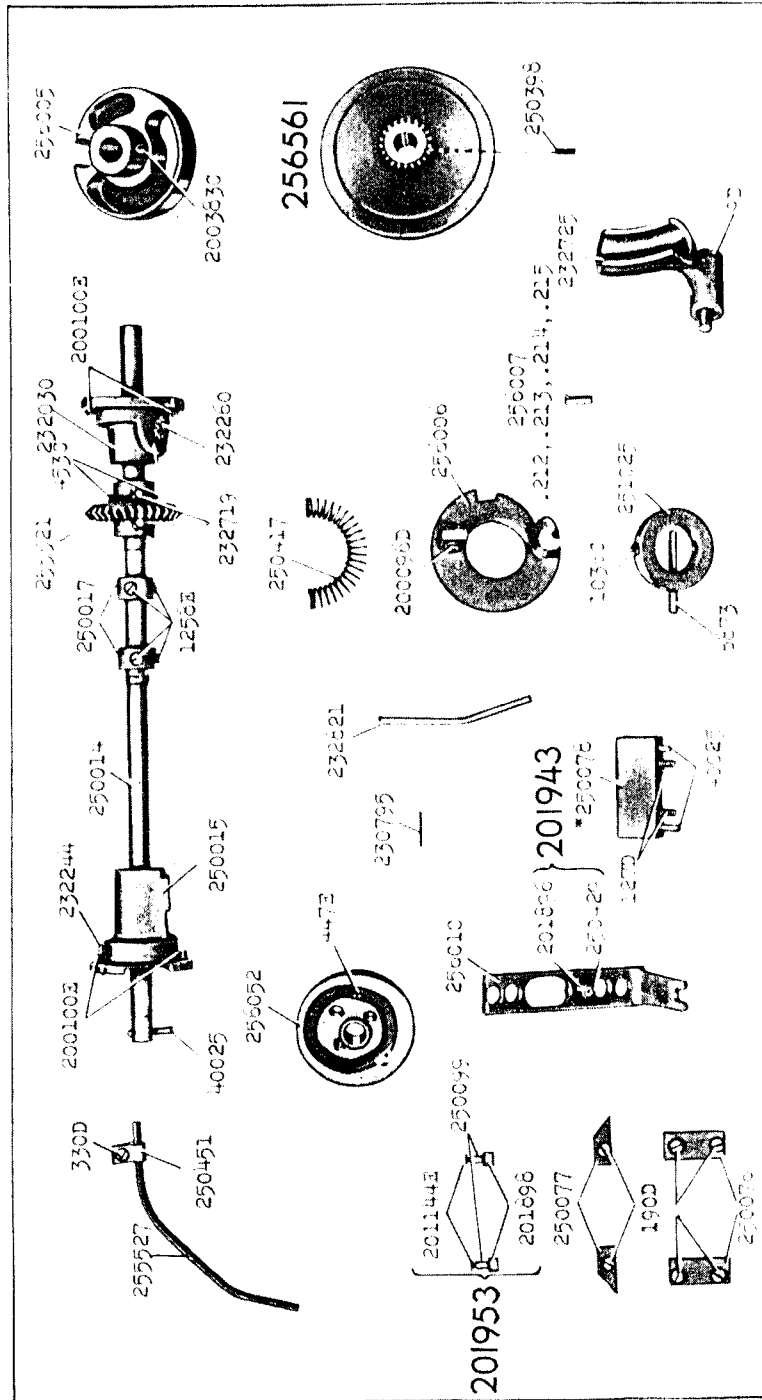
232878



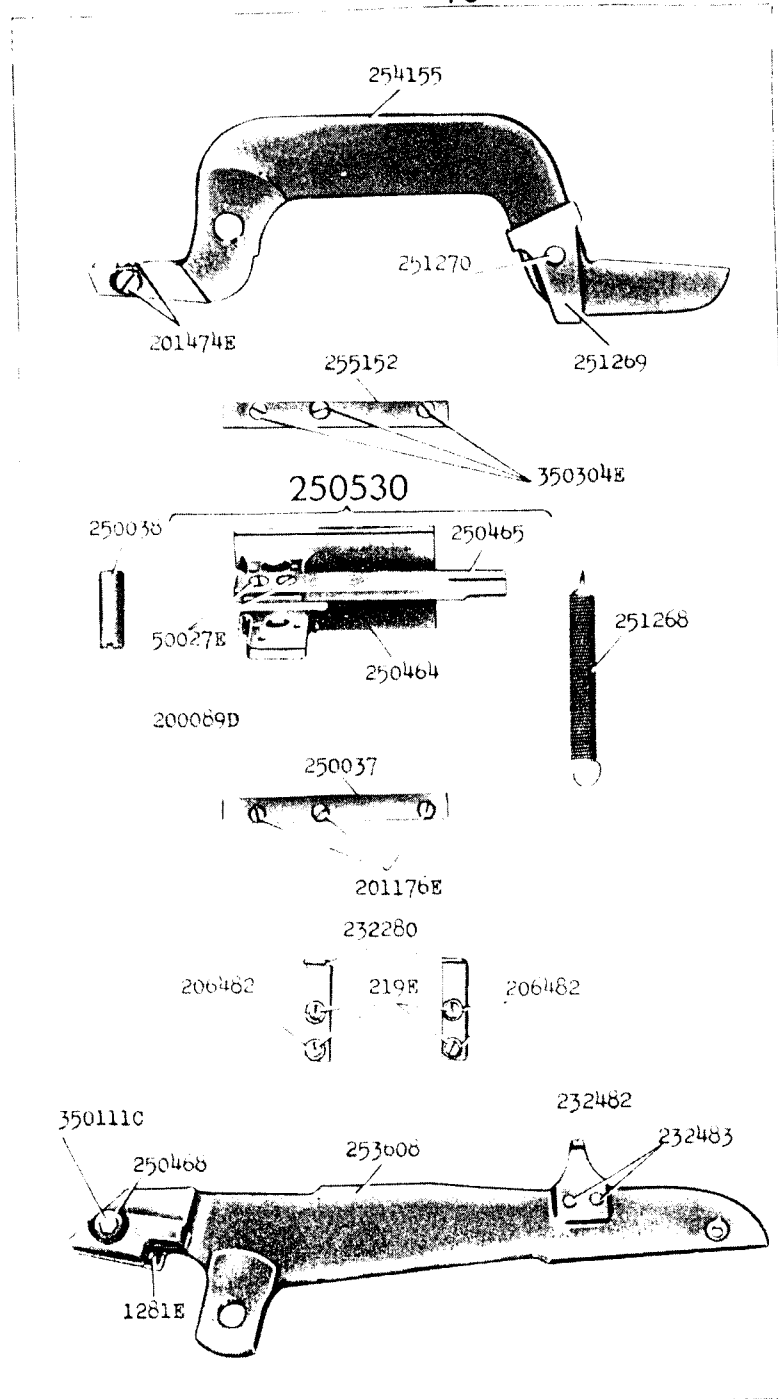
232871



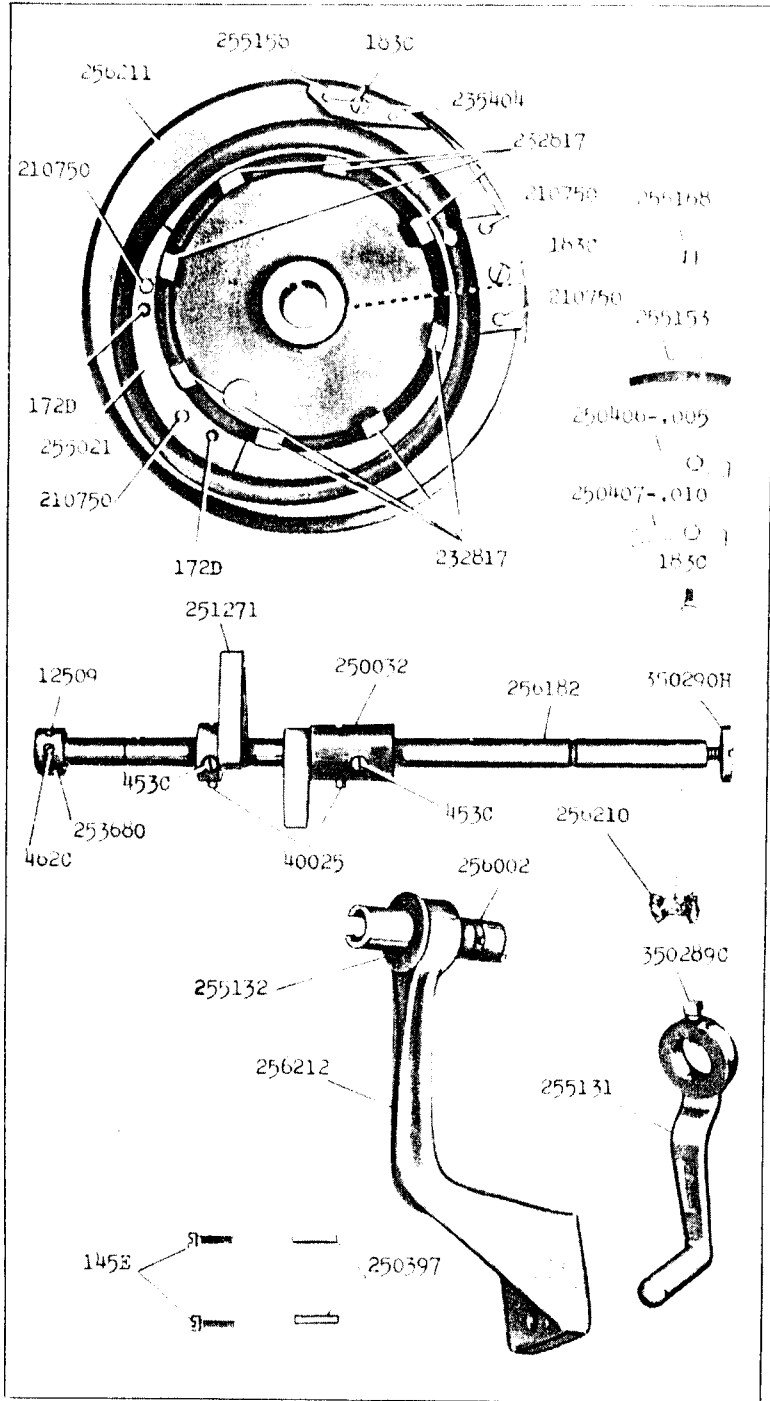
16402 - 1/4



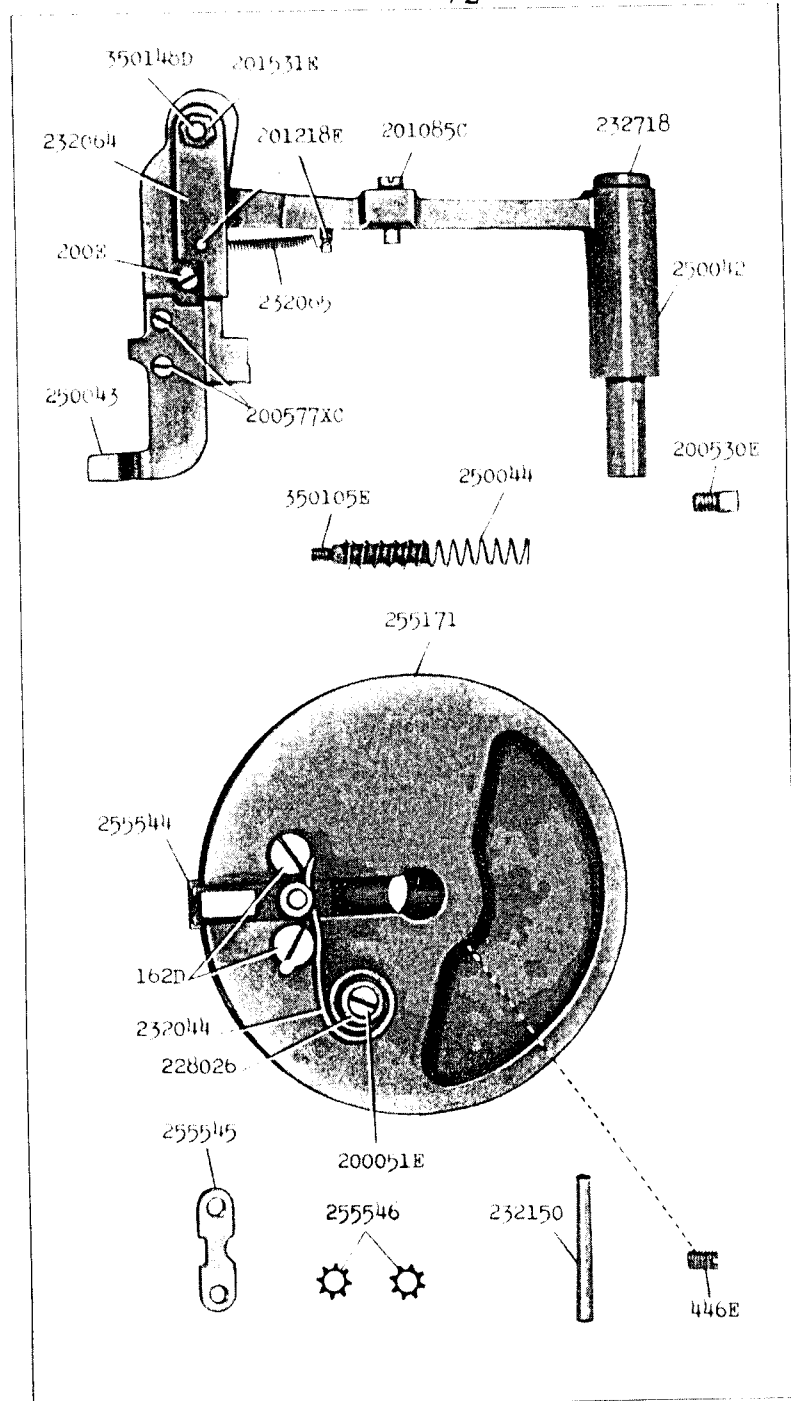
16403 - 1/3



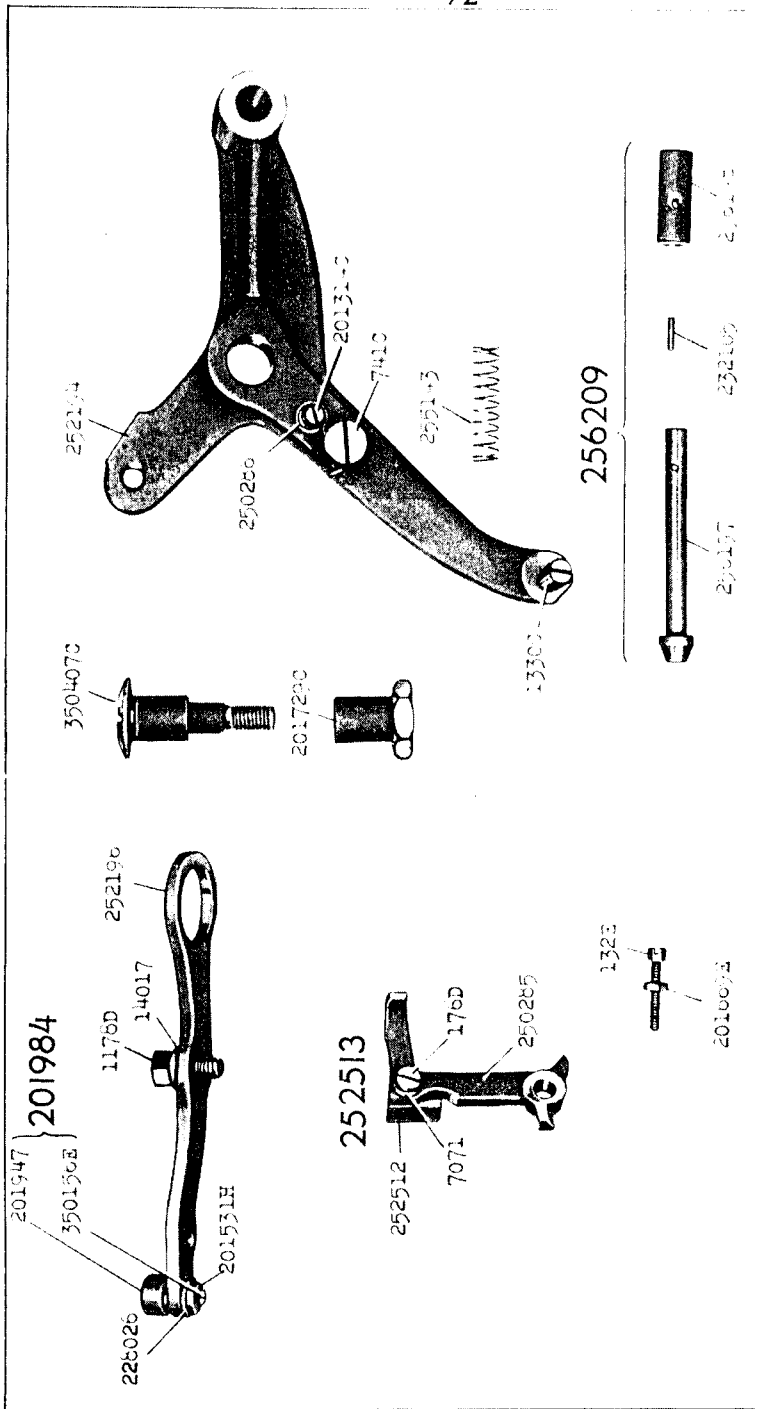
16405 - 1/3



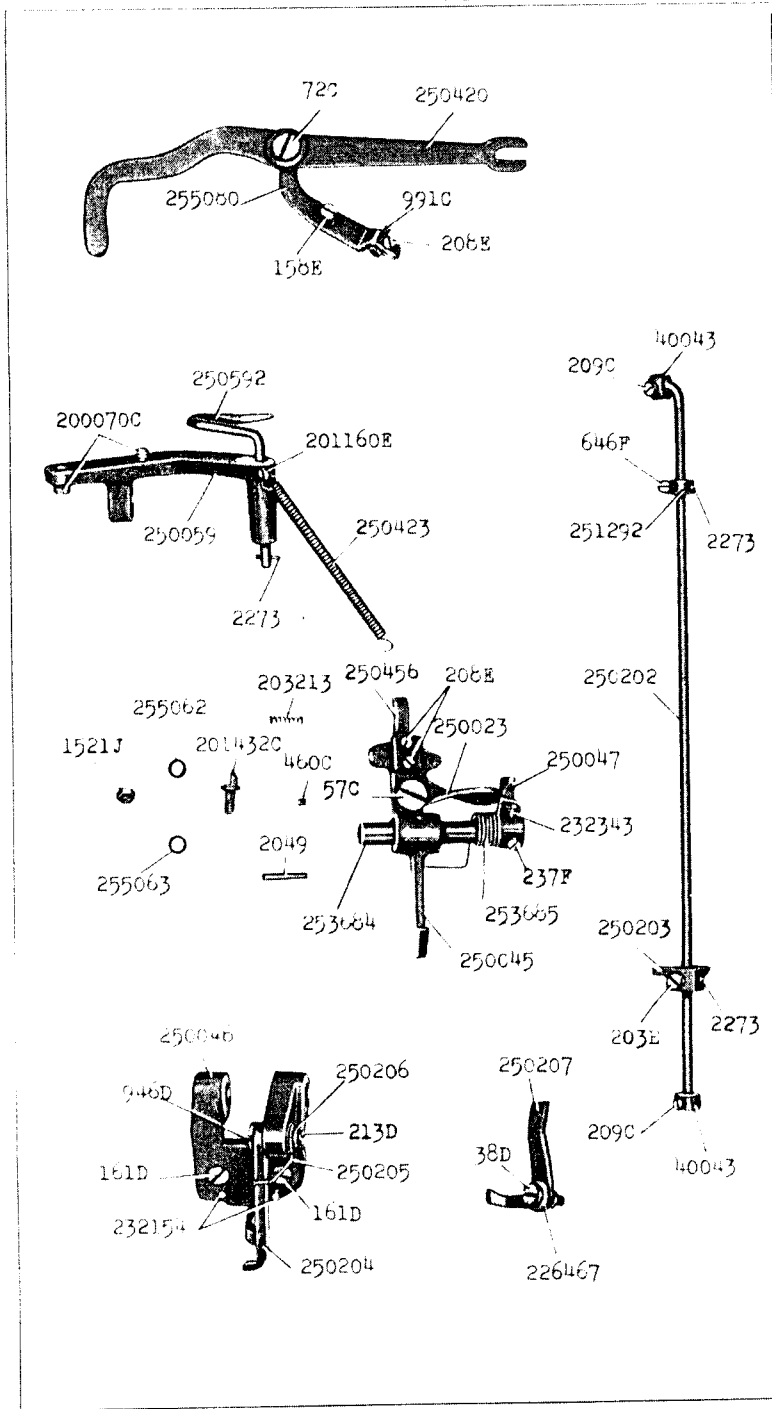
16406 - 1/2



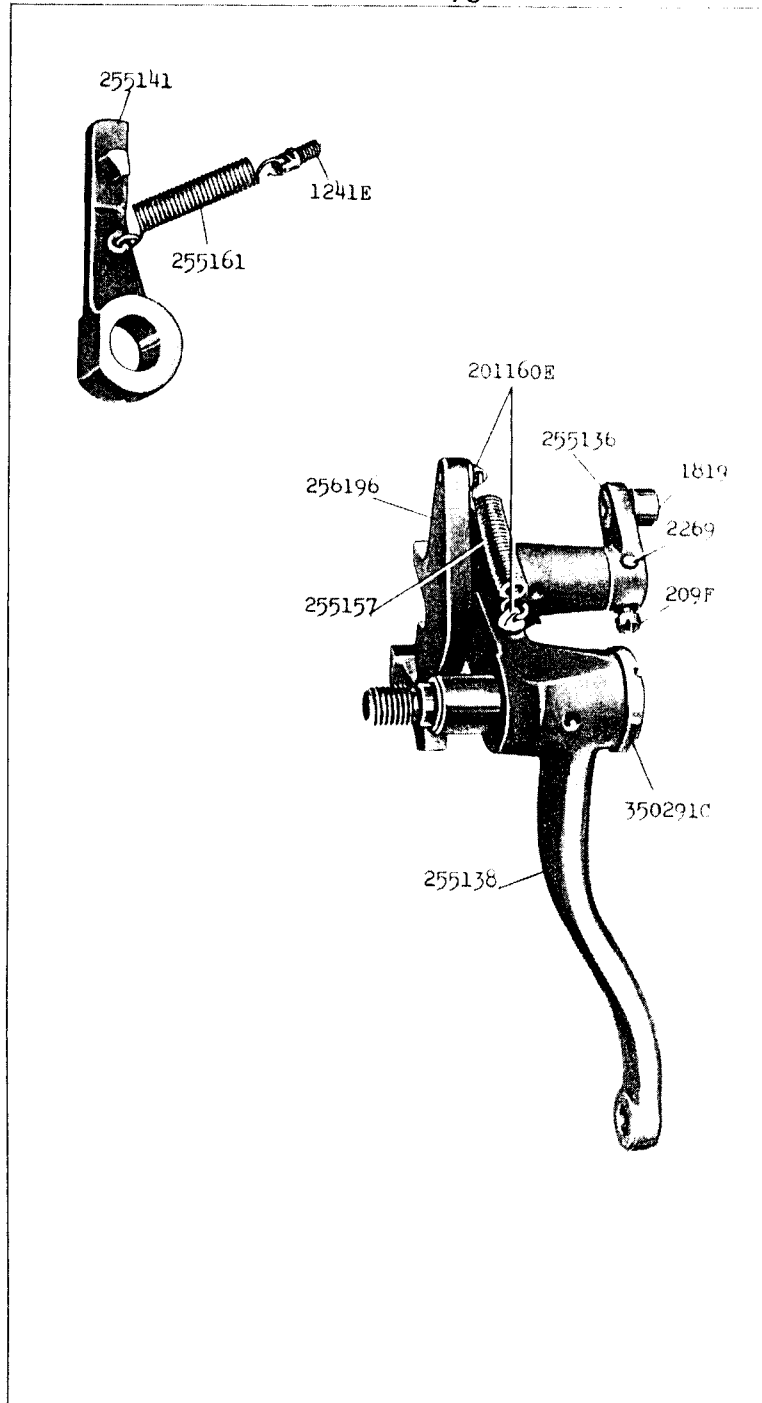
16407 - 1/2



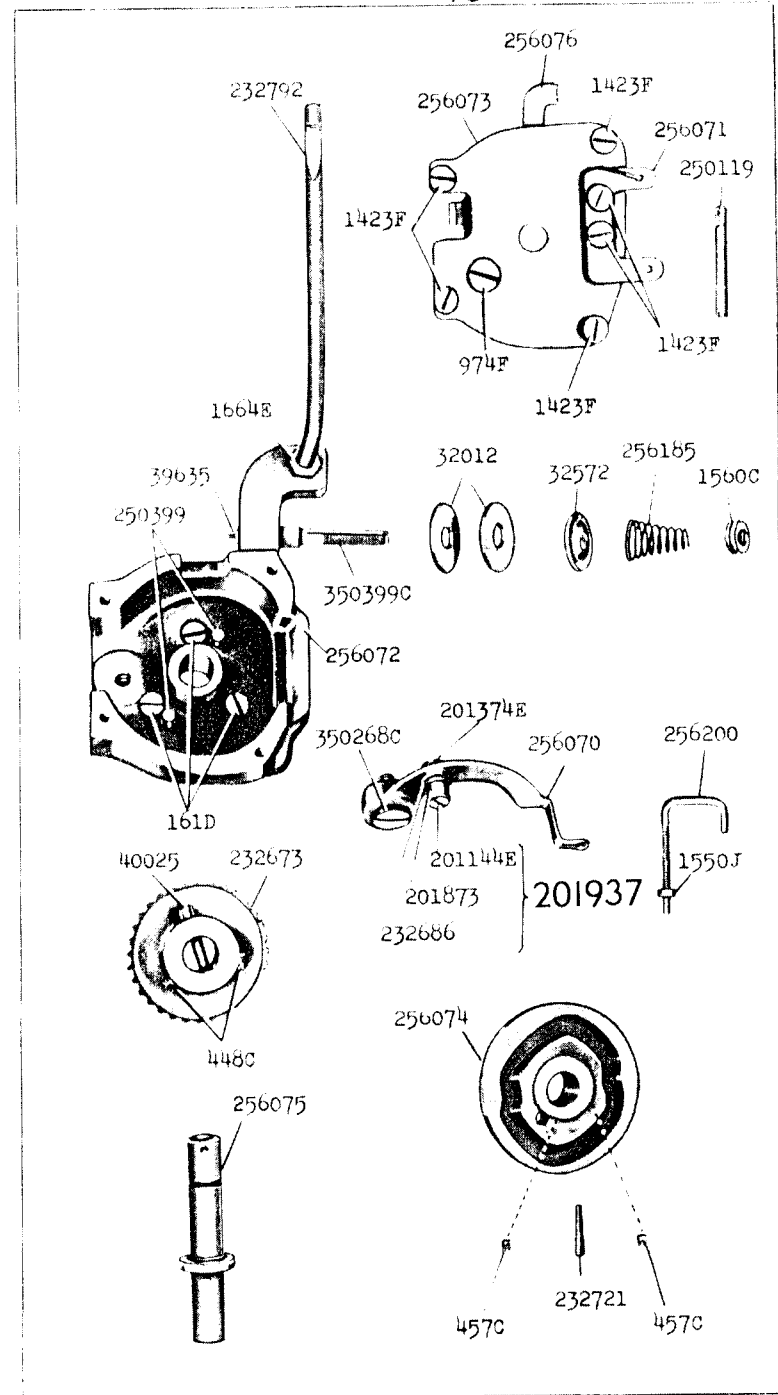
16408 - 1/3



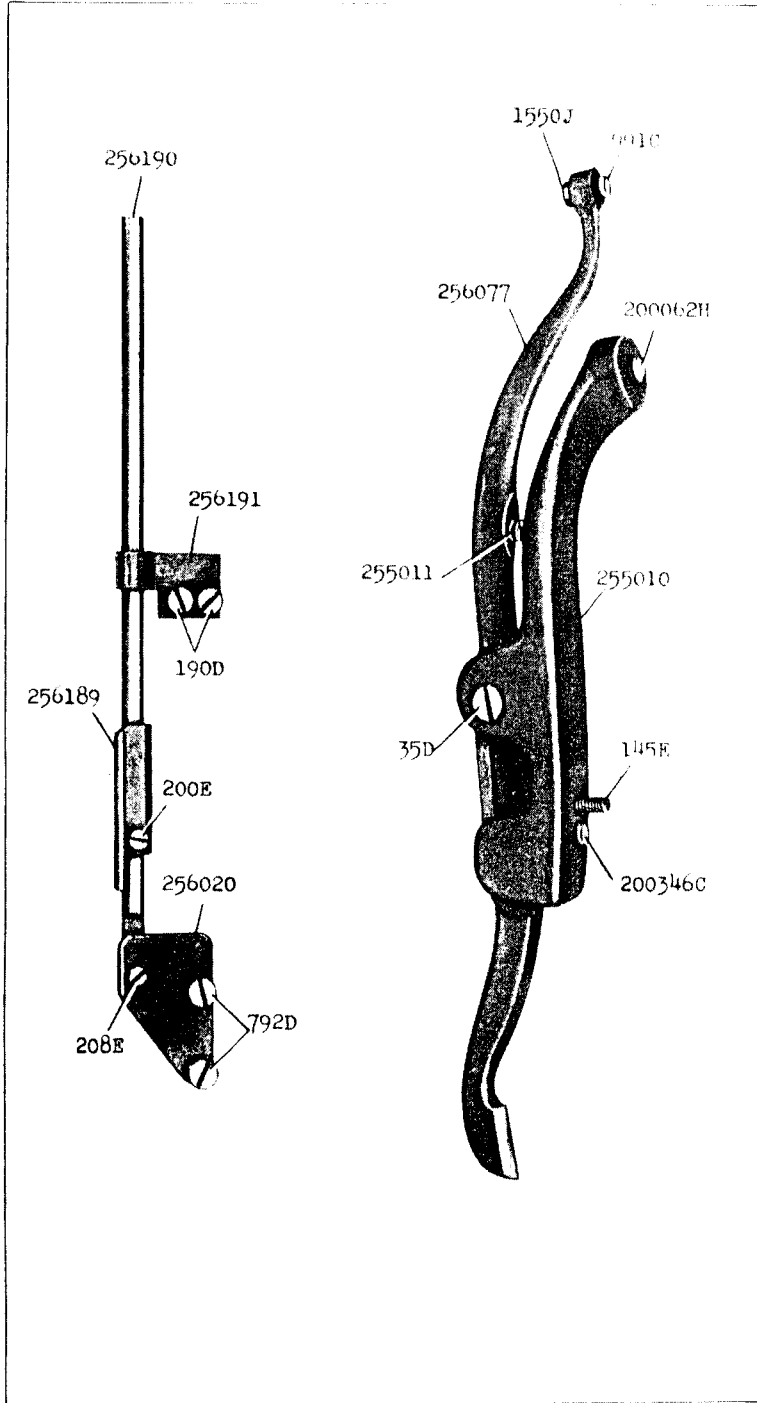
16409 - 2/3



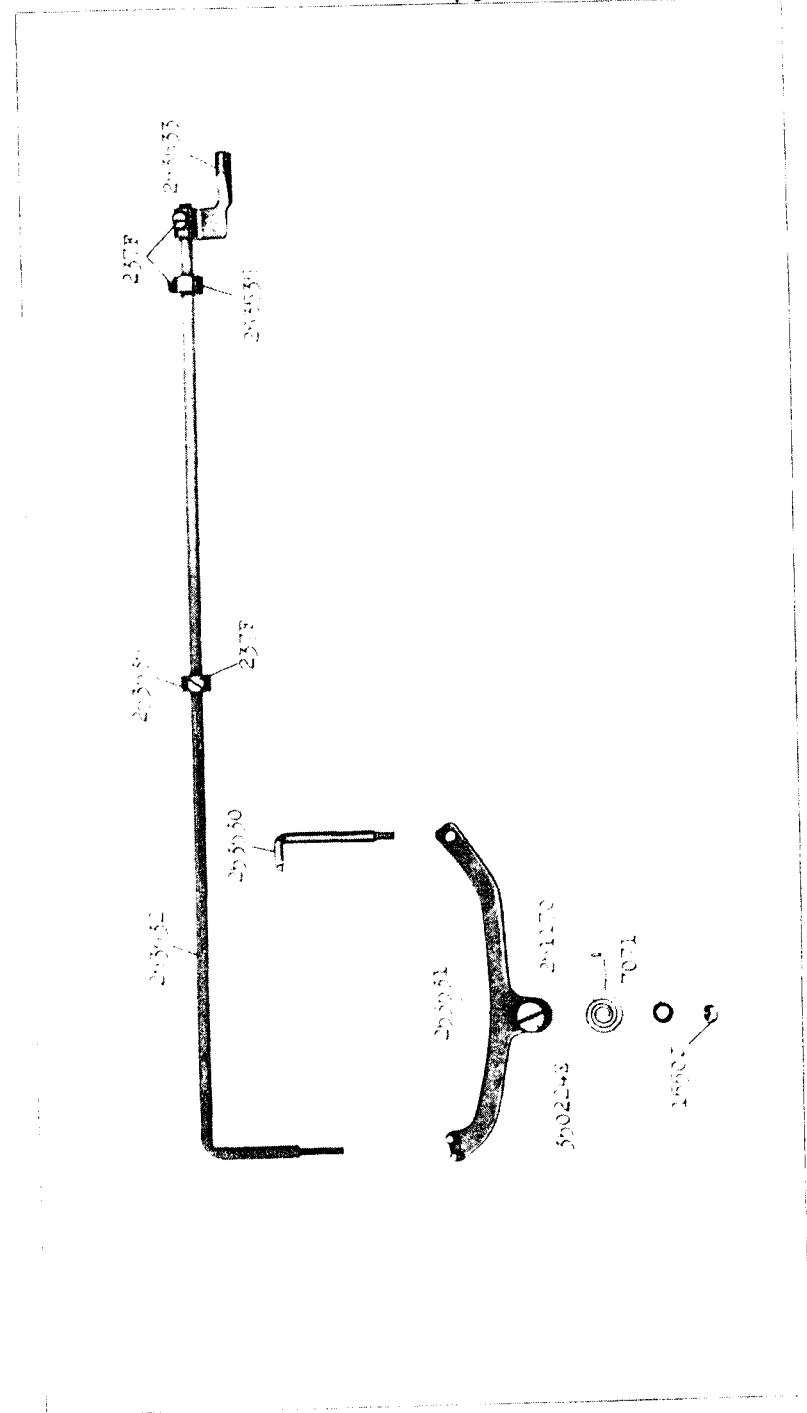
16410 - 3/8



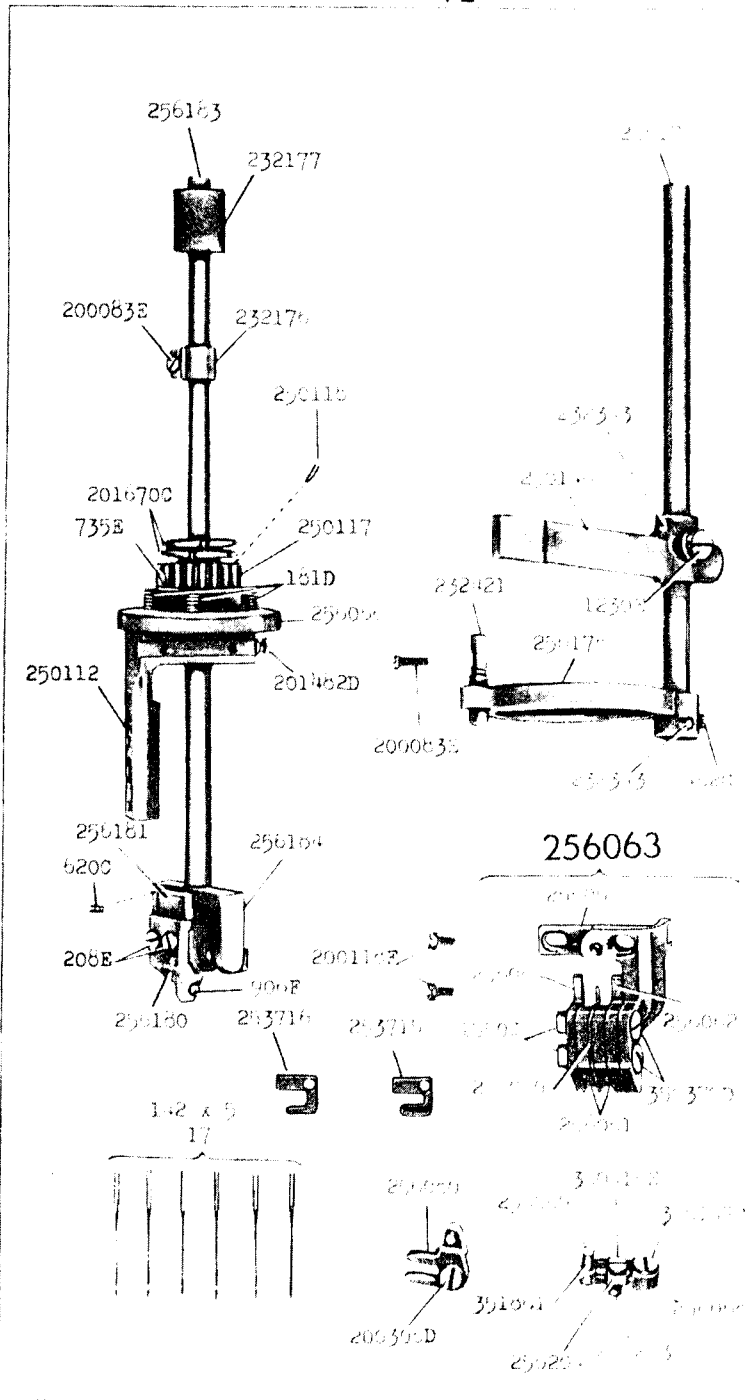
16412 - 1/2



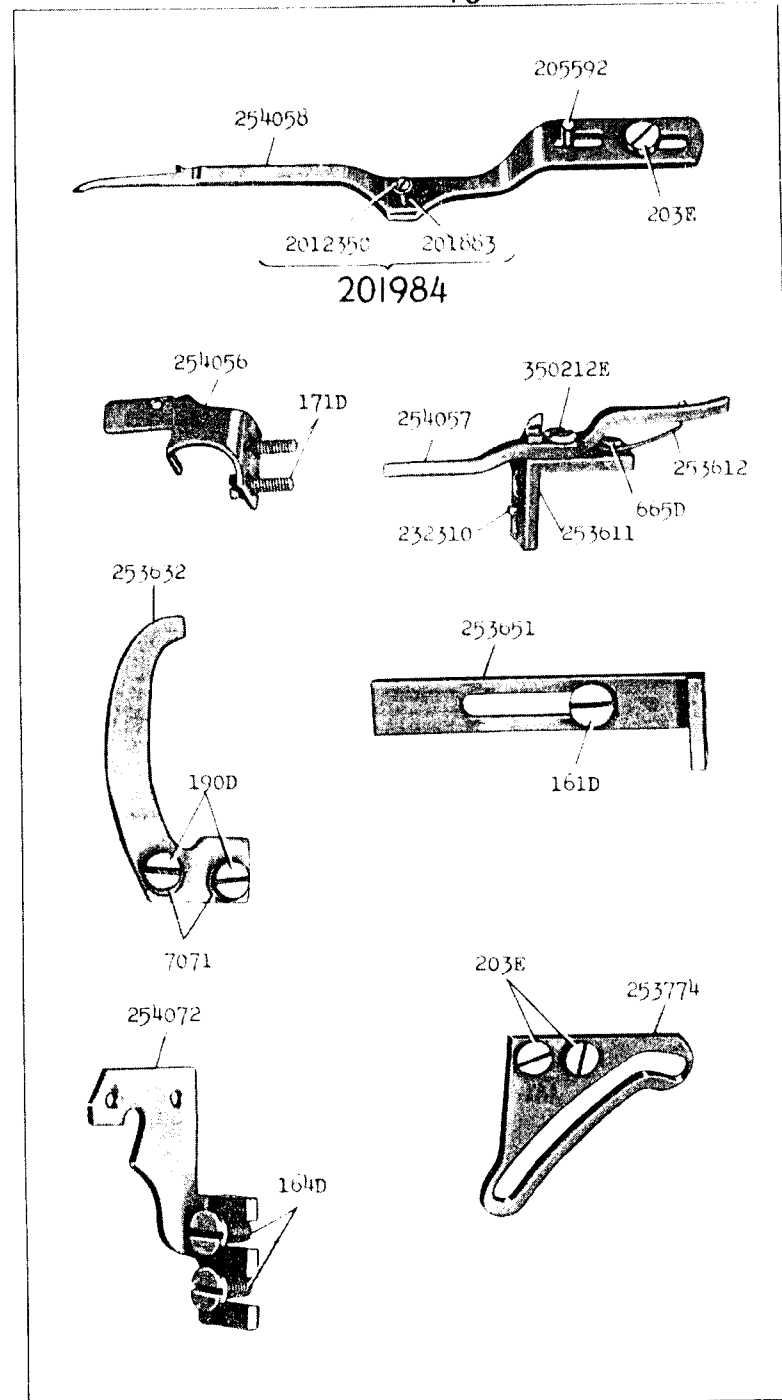
16415 - 3/8



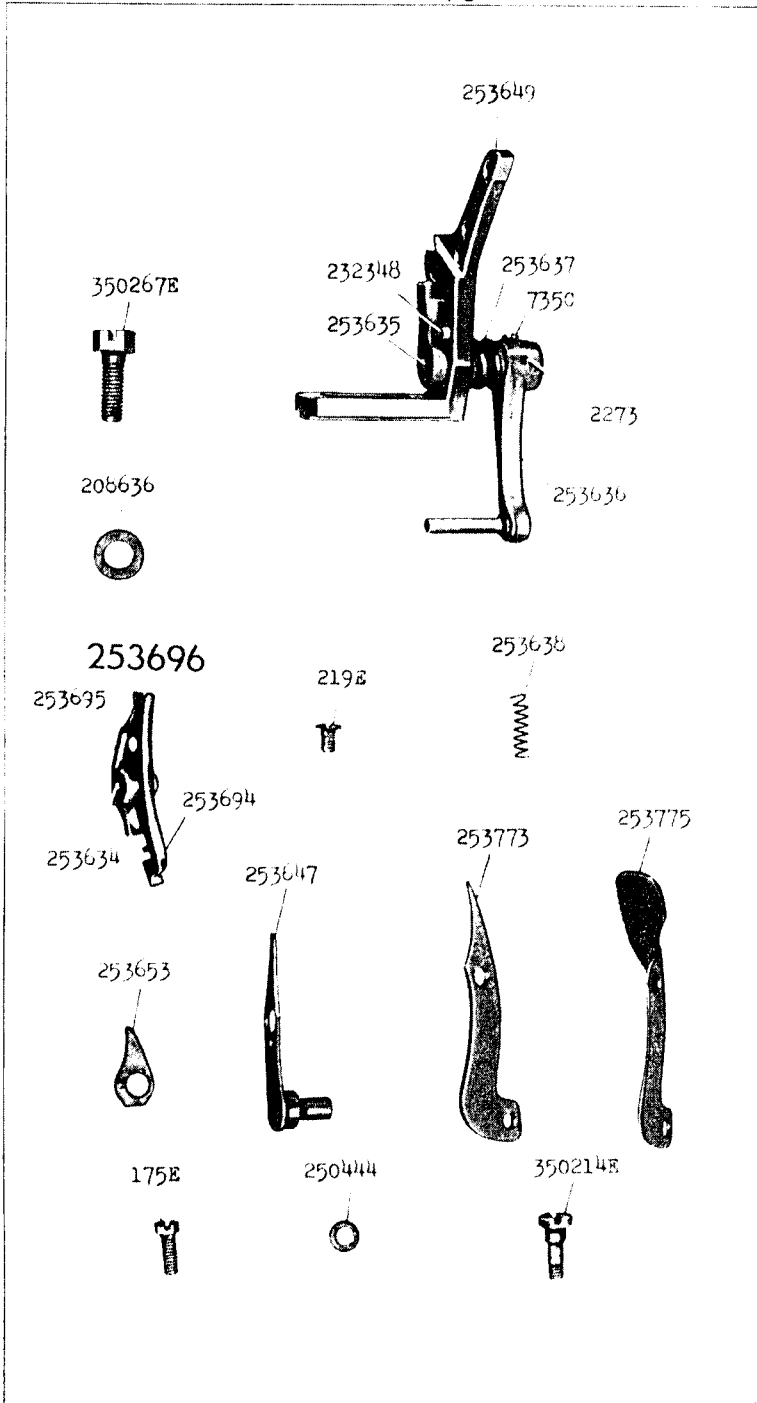
16416 - 1/2



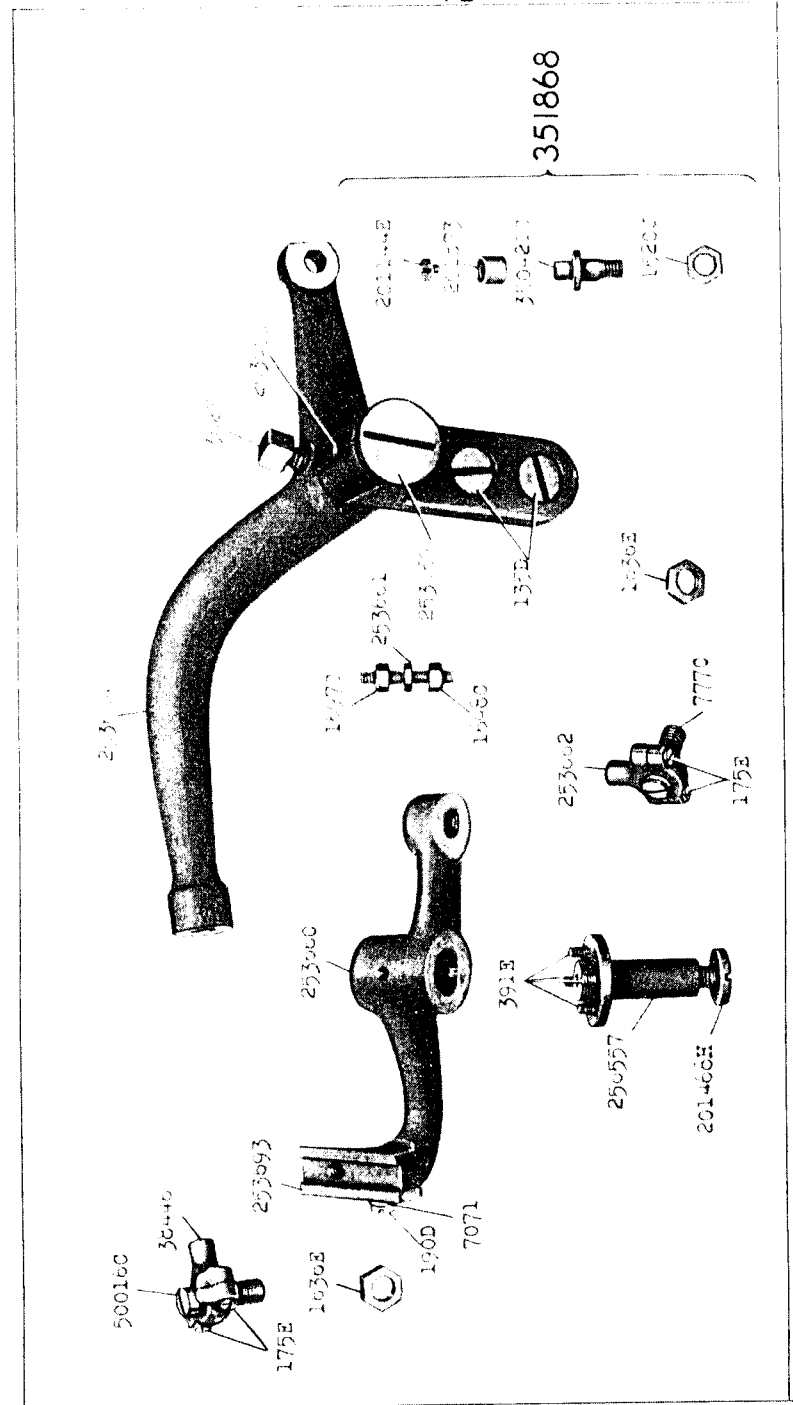
16417 - 2/3



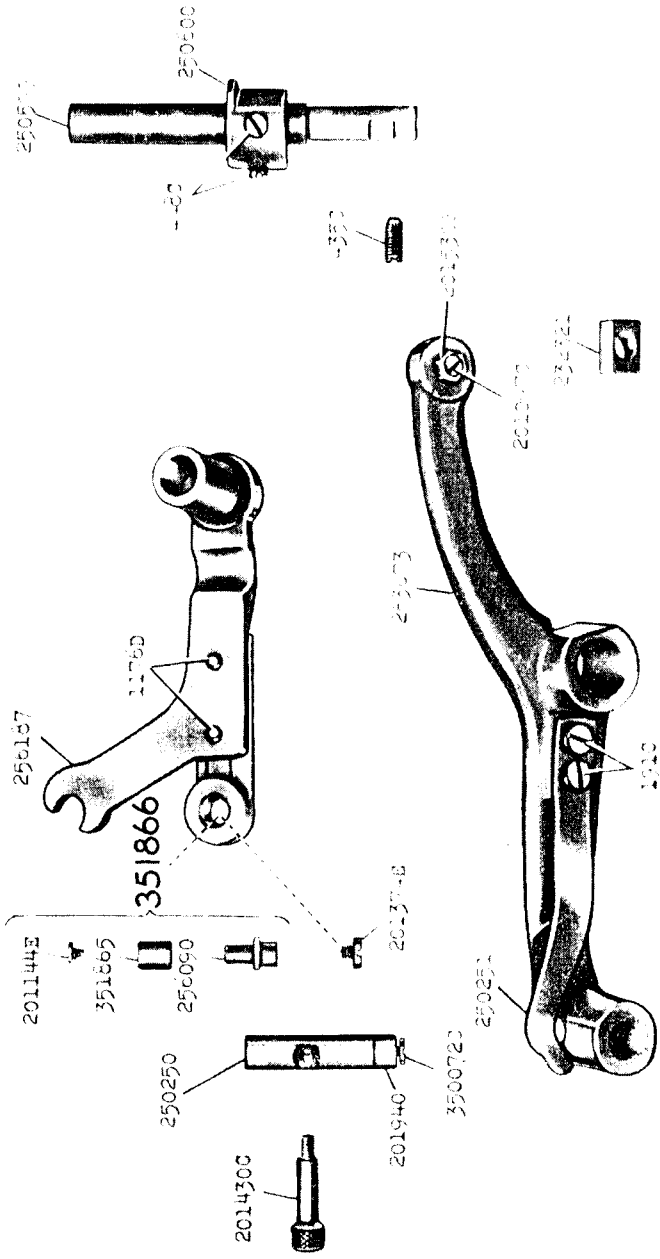
16418 - 2/3



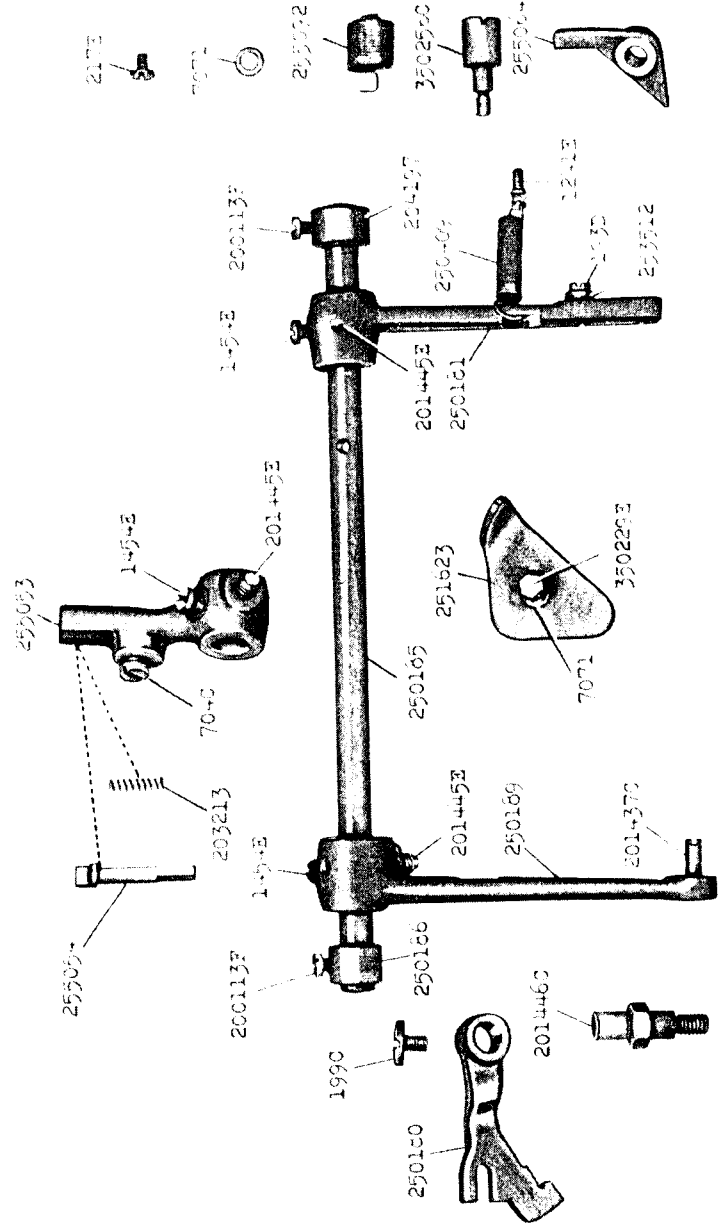
16419 - 1/2



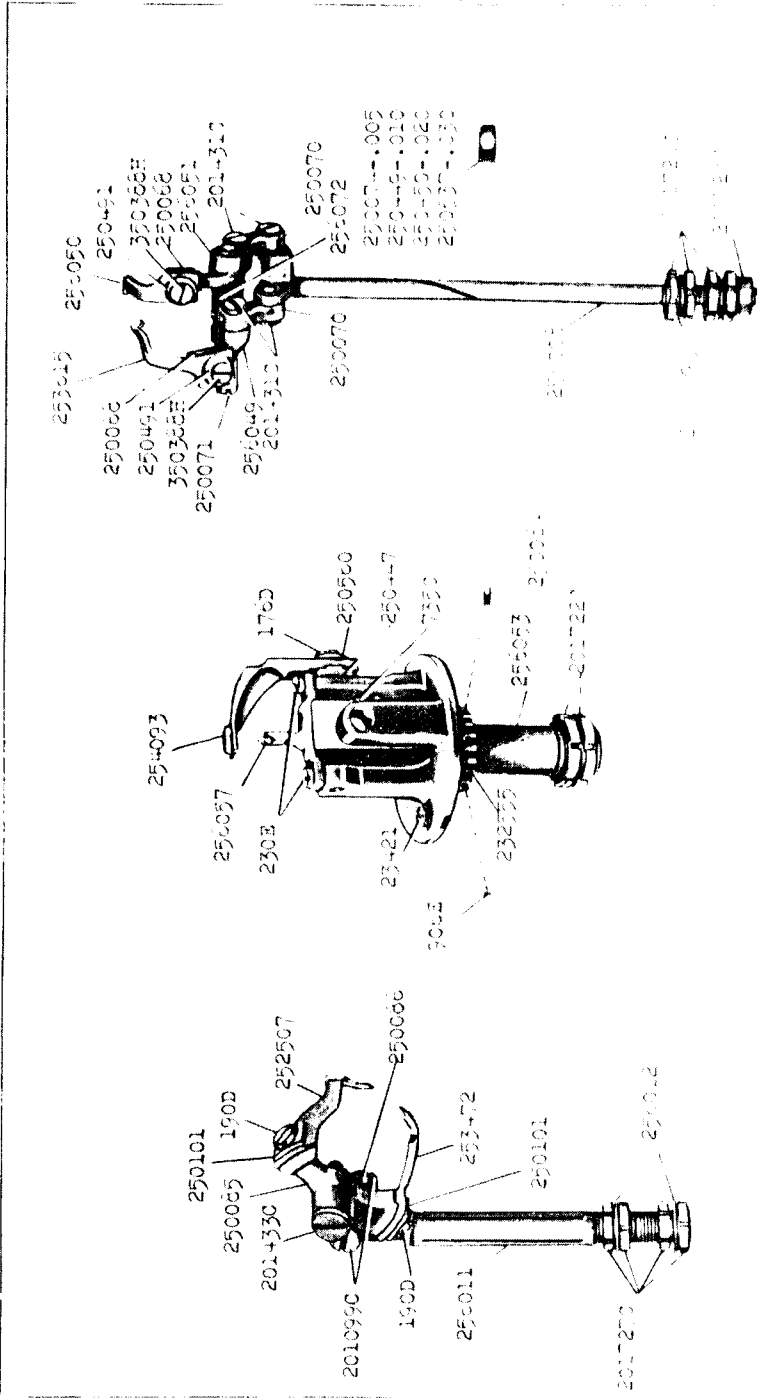
16420 - 1/2



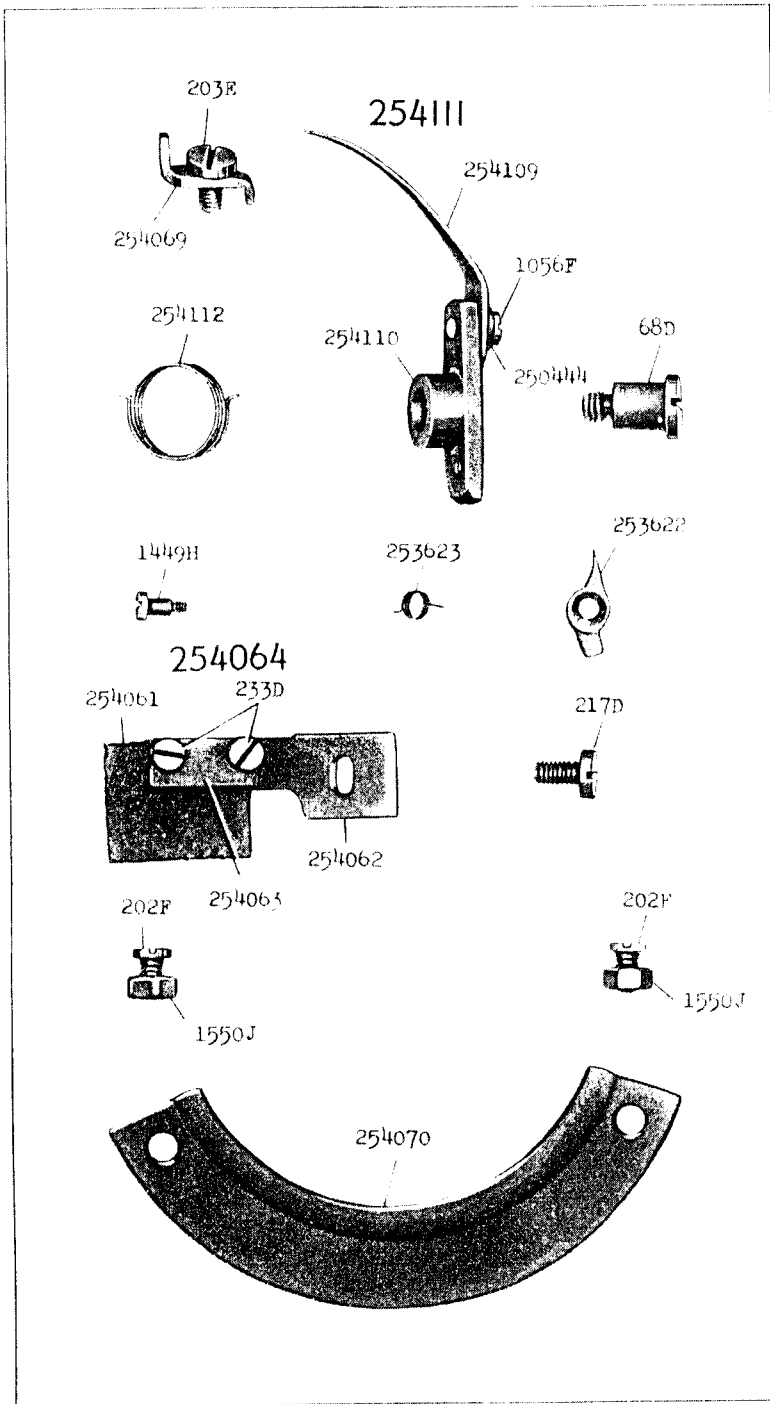
16421 - 1/2

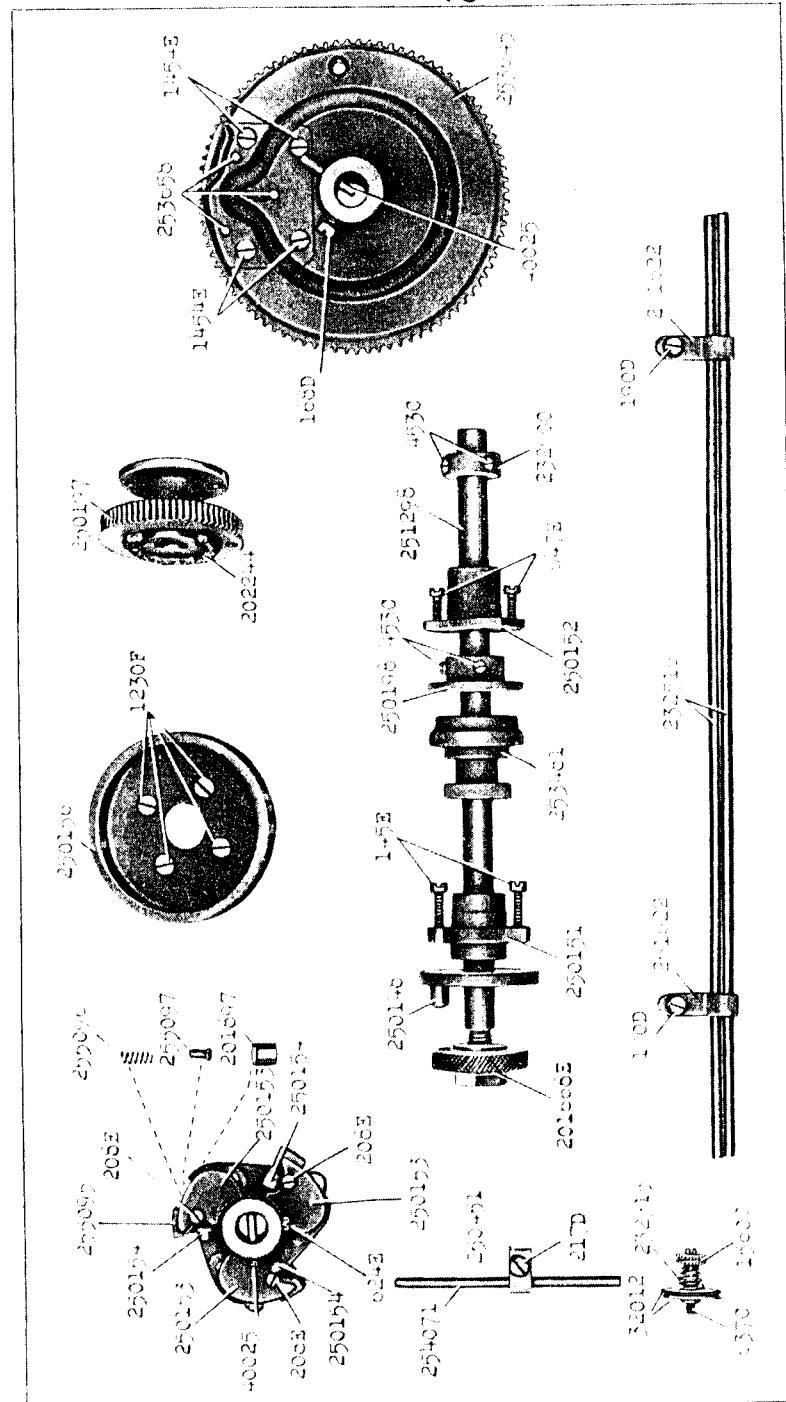
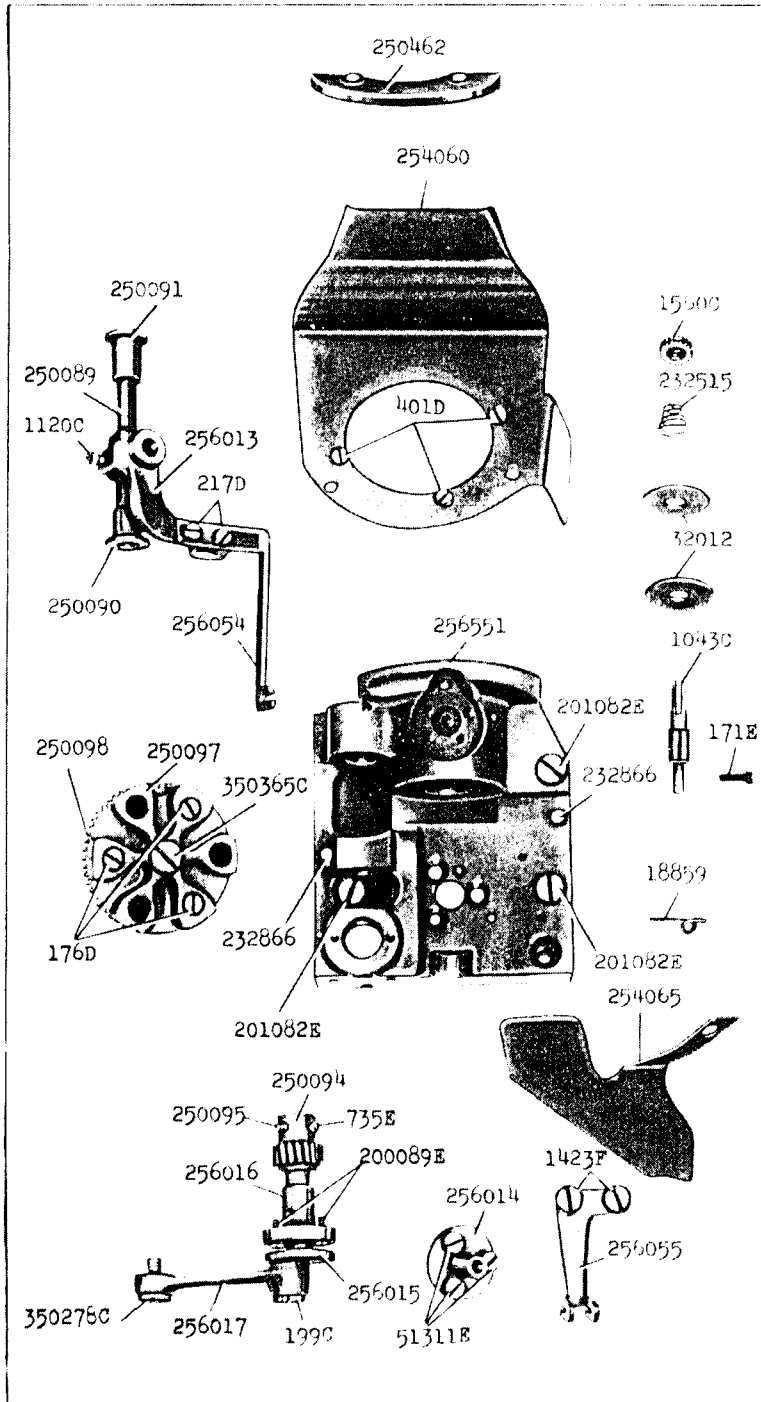


16422 - 1/2

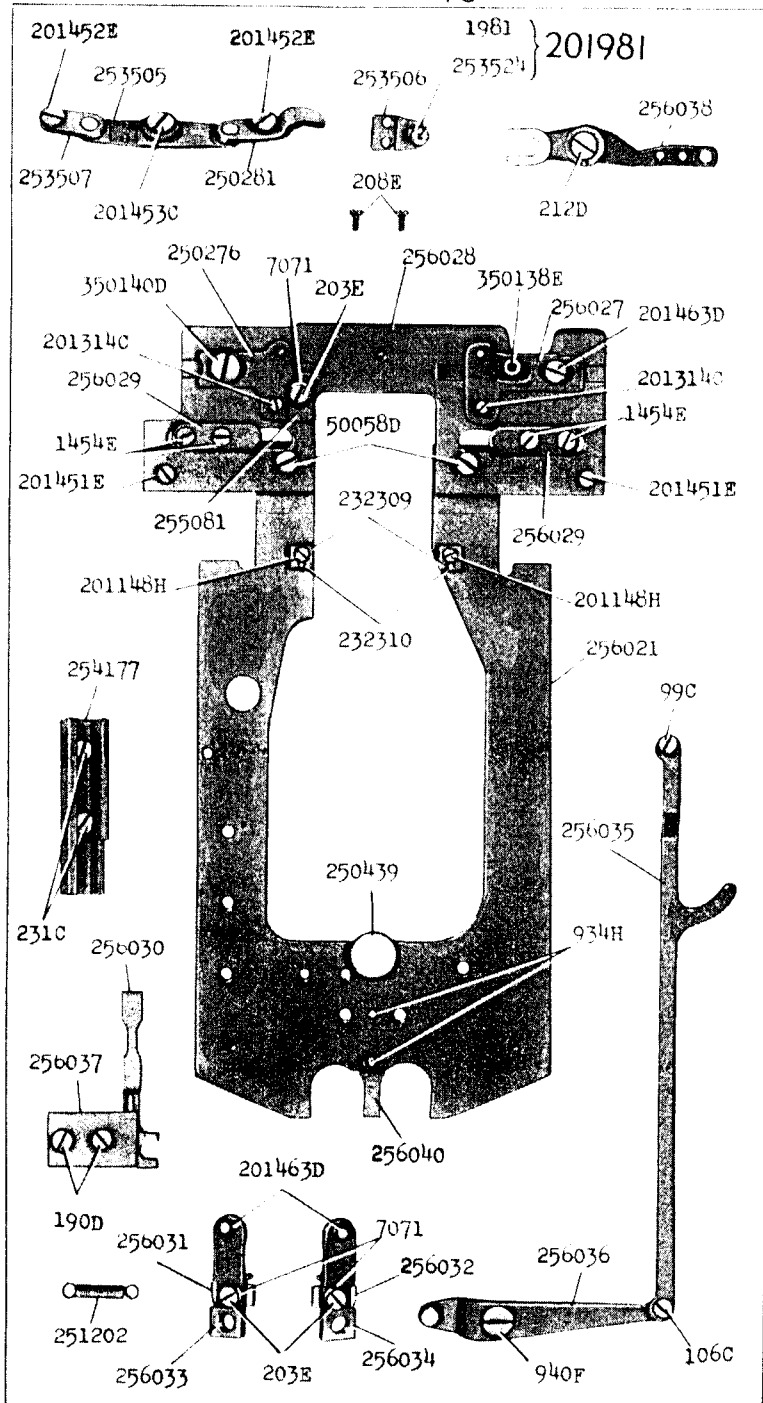


16423

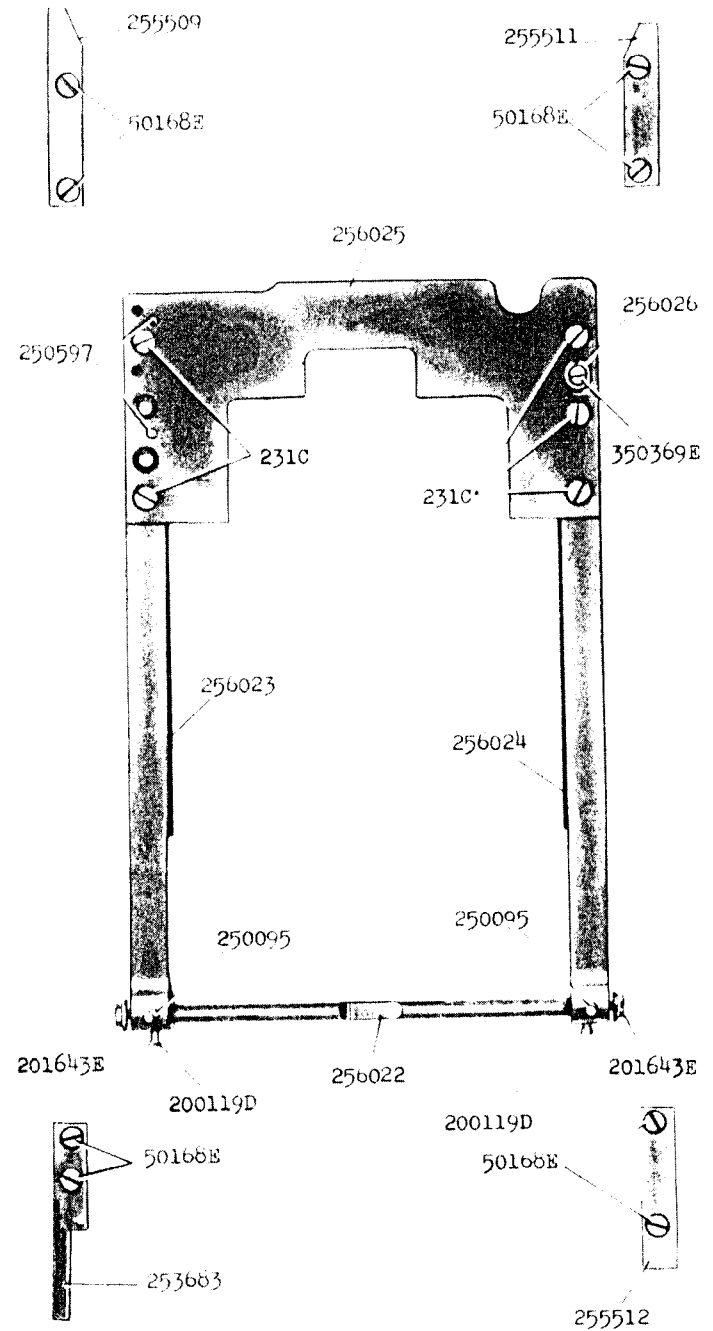




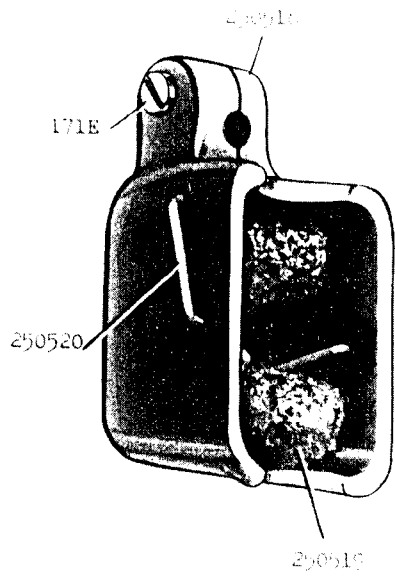
16427 - 3/8



16428 - 3/8



16431



16432 - 2/3

254054-(.100 x .180)
 254055-(.126 x .180)



350114C

250030

250027

1100D

254154

250039



232056

662D

232466

200122H

232057

250538

232055

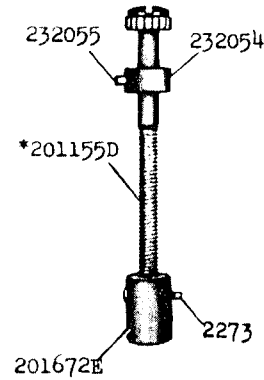
232054

*201155D

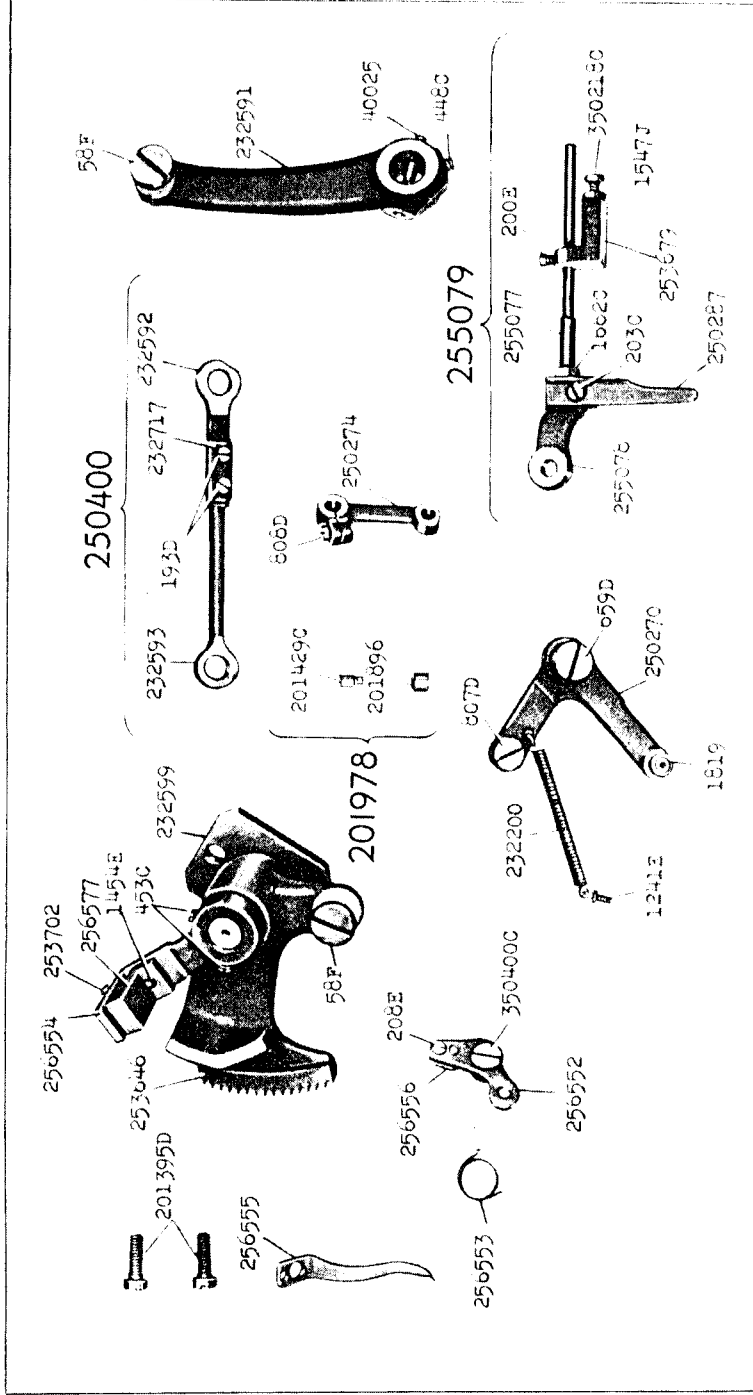
201672E

2273

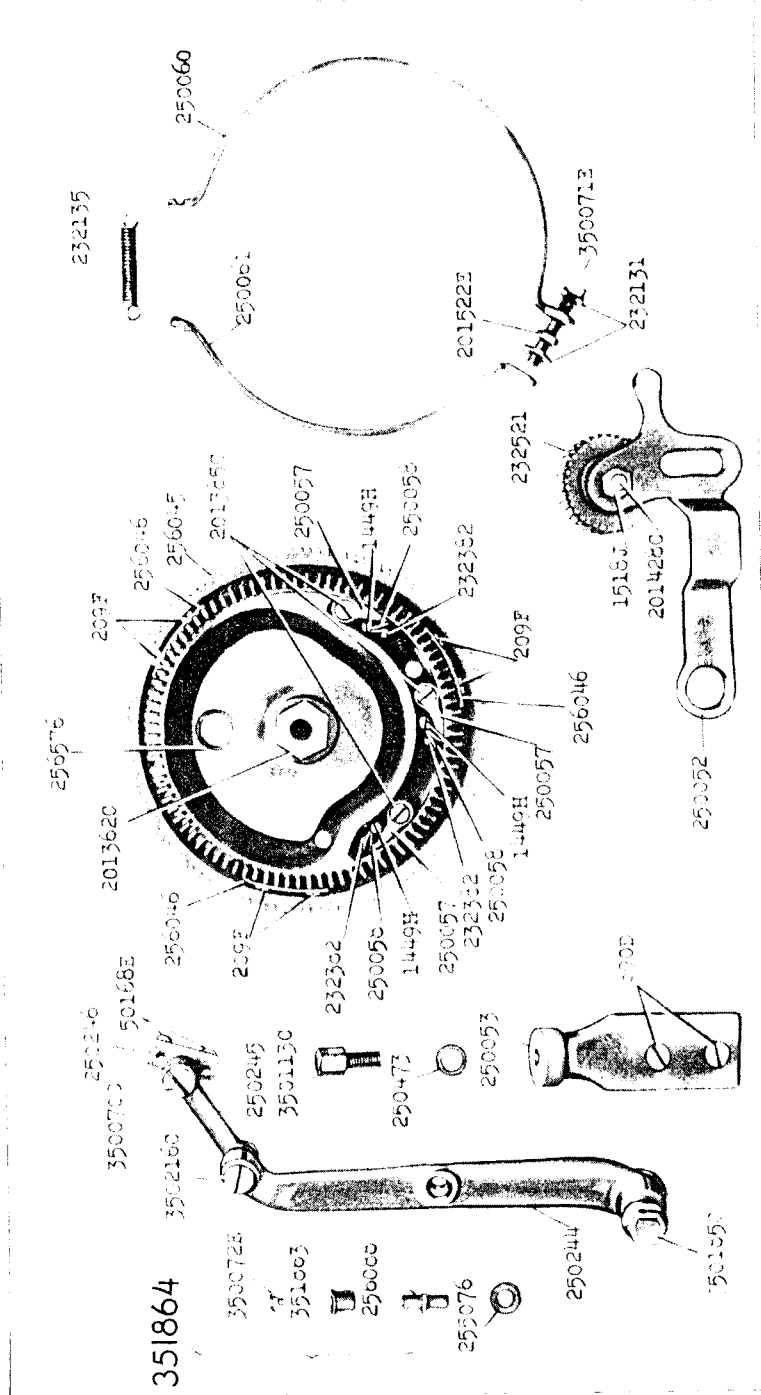
254052- 3/4
 254053- 7/8



16433 - 3/8



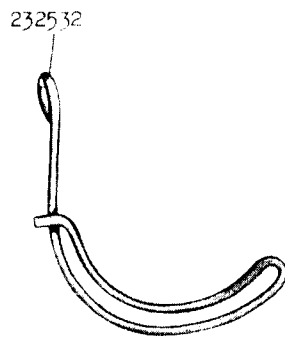
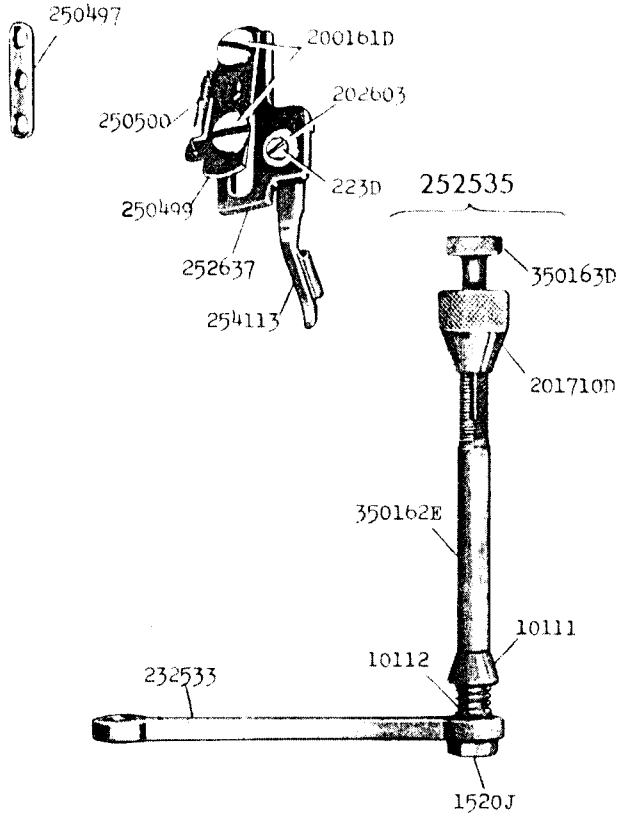
16434 - 1/3



16435 - 2/3

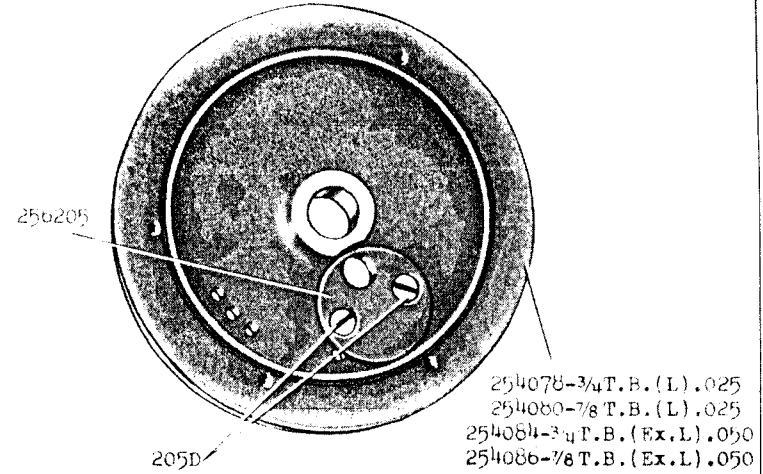
254115

254114

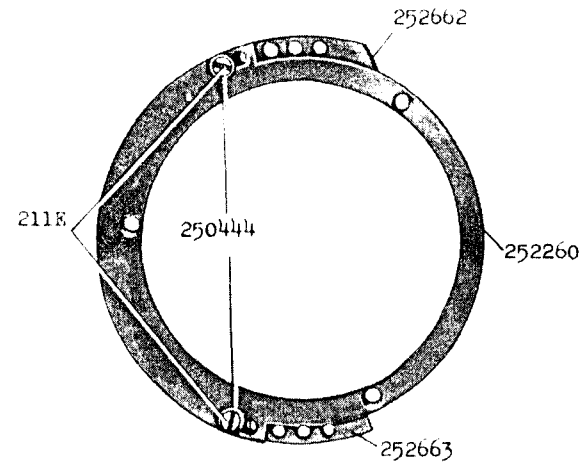


16436 - 1/2

254079 - 3/4 T. B. (L) .025 254085 - 3/4 T. B. (Ex. L) .050
 254081 - 7/8 T. B. (L) .025 254087 - 7/8 T. B. (Ex. L) .050

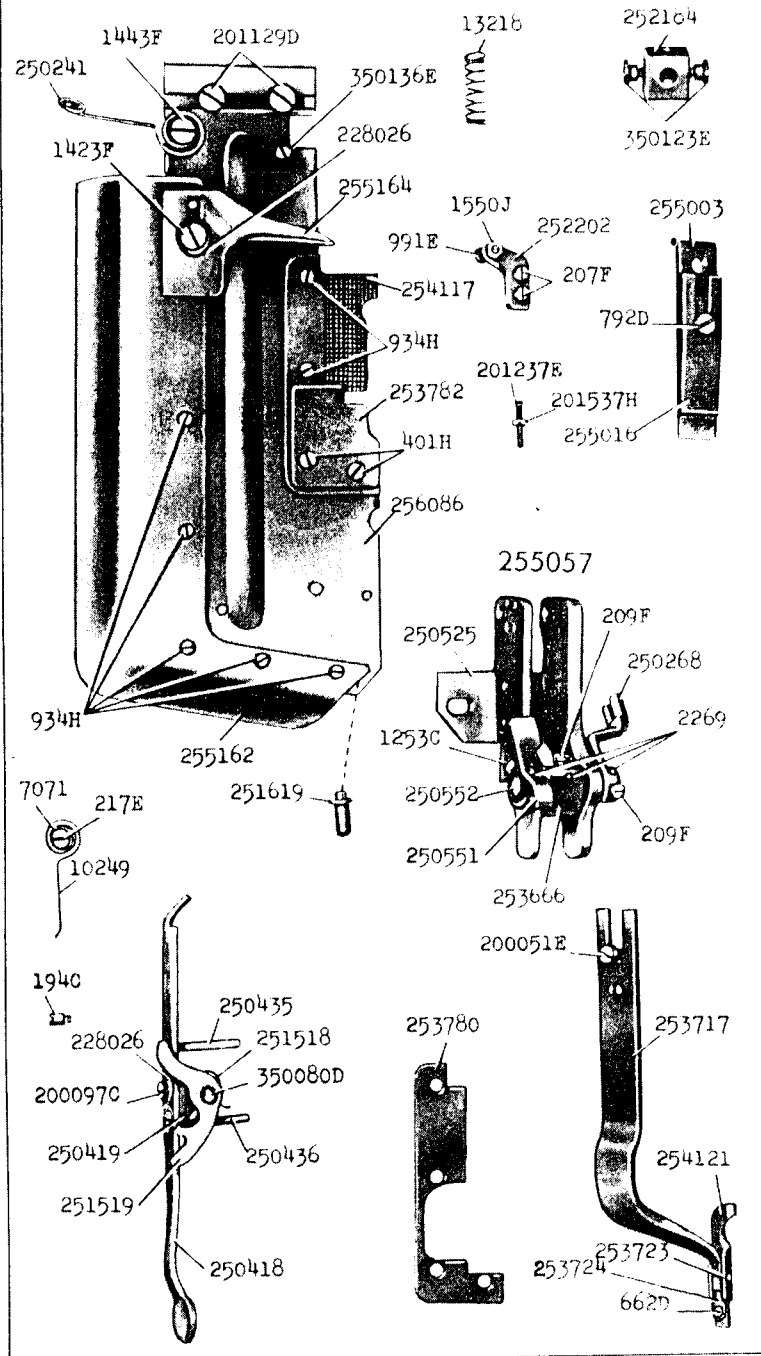


254089



16437 - 3/8

256578



16438 - 3/8

256579

