

Form 19332
(639)
Printed in U. S. A.

LIST OF PARTS



MACHINE No. 96-85

THE SINGER MANUFACTURING COMPANY

INSTRUCTIONS FOR OILING

Use only Singer "Oil For High Speed Sewing Machines (Cloth and Leather)" for general use, or "Stainless Oil For High Speed Sewing Machines" where a stainless oil is desired.

Oil should be applied to all oil holes and bearings of the machine at least four times a day. Keep all wicking saturated with oil.

The upper and lower gears of the upright arm shaft should be greased with Singer Gear Lubricant every 160 hours of operation, using an Alemite-Zerk grease gun.

INDEX

	Page
Accessories.....	14
Bobbin Winders.....	15
Finger Guard.....	17
Foot Lifter Parts.....	18
Knee Lifter Parts.....	19
Knife Grinder.....	20
Machine Base.....	14
Machine No. 96-85.....	5
Numerical List of Parts.....	23
Thread Unwinder.....	21

Copyright, U. S. A., 1938 and 1939
by The Singer Manufacturing Co.
All Rights Reserved for all Countries

In ordering from this list, use ONLY the part NUMBER in the FIRST column.

The number stamped on a Sewing Machine Part is in every case the number of the single part only.

Every combination of parts sent out as such has its specific number, which, although not stamped on the parts, must be used when ordering the combination.

Each number always indicates the SAME PART in whatever list it appears, or for whatever machine.

The letters after some of the numbers indicate the style of finish only, as follows:

- A-Hardened, Polished, Nickel Plated and Buffed
- A.A-Buffed and Chromium Plated
- A.B-Hardened, Polished, Buffed and Chromium Plated
- B-Polished, Nickel Plated and Buffed
- C-Hardened Only
- C.K-Hardened and Merlized
- D-Polished Only
- E-Soft, Not Polished
- F-Hardened and Polished
- F.J-Hardened, Polished and Nickel Plated
- Q-Bright Rumbled and Nickel Plated
- H-Blued
- J-Nickel Plated Only
- K-Hardened and Nickel Plated
- L-Brass Plated
- M-Oxidized
- N-Japanned, Dull
- P-Japanned, Bright
- P.P-Wrinkle Finish
- R-Merlized
- S-Cadmium Plated
- T-Copper Plated
- T.A-Hardened, Polished, Copper and Nickel Plated and Buffed
- T.B-Copper and Nickel Plated and Polished
- T.J-Copper and Nickel Plated Only
- T.K-Hardened, Copper and Nickel Plated
- T.L-Copper and Brass Plated
- T.M-Copper Plated and Oxidized
- U-Zinc Plated
- V-Silver Plated
- W-Polished and Nickel Plated
- X-Black Oxide, for Iron and Steel
- X.C-Hardened and Black Oxide, for Iron or Steel
- Y-Black Nickel Plated Only
- Z-Chromium Plated
- Z.A-Hardened, Polished, Nickel Plated, Buffed and Chromium Plated
- Z.B-Polished, Nickel Plated, Buffed and Chromium Plated
- Z.C-Hardened and Chromium Plated
- Z.D-Polished and Chromium Plated
- Z.G-Bright Rumbled, Nickel Plated, Bright Rumbled and Chromium Plated
- Z.J-Nickel and Chromium Plated
- Z.T-Copper and Chromium Plated

These letters MUST BE USED when they appear in the list; and AFTER the number as in the list.

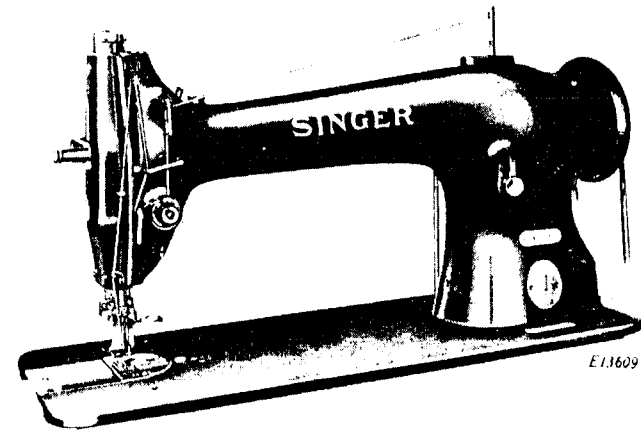
In this series:

- 1 to 1500, 50001 to 51500 and 140001 to 142000 are Screw Numbers
- 1501 to 1800 and 51501 to 51800 are Nut Numbers
- 1801 to 2000 and 51801 to 52000 are Roller Numbers
- 2001 to 50000 and 52001 to 140000 and 142001 to 190000 are Sewing Machine Parts, 190001 and upward are numbers of Electrical Parts.

The figures in the second column refer only to the plates, illustrating the parts, and are NOT TO BE USED in ordering.

Parts marked with an asterisk (*) are furnished only when repairs are made at factory.

LIST OF PARTS COMPLETE
FOR



MACHINE No. 96-85

For Light, Medium and Heavy Clothing and other Work in Cloth. Has Vertical trimmer that trims from 1/16 to 1/4 inch from the line of stitching. Maximum stitch 5 1/2 to the inch. Drop feed. The machine is fitted with heavy gear shafts and three plain bearings for the arm shaft. The gears are lubricated with grease instead of oil. The grease is applied with Alemite Zerk hand pressure gun. The machine is fitted with 1/8 inch Cutting Bar unless otherwise ordered and an extra 3/16 inch Cutting Bar and Presser Foot are also furnished. When a different width is ordered, the extra Cutting Bar will be one size larger except when 1/4 inch is required. Speed up to 3500 R. P. M., according to the material being stitched.

No.	Plate	Name
*127276	-----	Arm with 15404 and two each 15405 and 56015.....
16532	22999	Arm Dowel Pin.....

Note: Due to the accuracy required for gear alignment, Arm cannot be supplied separately and can only be sent out as a unit, Arm and Bed assembled.

No.	Plate	Name
52182	22999	Arm Oil Tube with 52184, for oiling 127231.....
52183	22999	Arm Oil Tube with 52184, for oiling 52024 and 127156, for 127193 and 150460.....
52180	22999	Arm Oil Tube (long) with 52184, for oiling 52022.....
52185	22999	Arm Oil Tube (short) with 42367, for oiling 52022.....
127187	22999	Arm Oil Tube (bent) with 42367, for oiling 127152, for 127193 and 150460...
56015	22999	Arm Oil Tube, for oiling 142006.....
52254	22999	" " " " 52262.....
11119	22999	" " " with 52045, for oiling 127032.....
42367	22999	Arm Oil Tube Packing (braided cotton)for 52185 and 127187.....
52184	22999	Arm Oil Tube Packing (wick) for 52180, 52182 and 52183.....
52045	22999	Arm Oil Tube Packing (cotton) for 11119.
52290	22999	" " " Plug.....
116E	22999	" Screw (back).....
854E	22999	" " (front).....
127277	23000	" Shaft (horizontal).....
127278	-----	" " " 127277 with 52196, 127032 and 127223.....
54897	22999	Arm Shaft (horizontal) Back Bearing Oil Cup.....
127072	23000	Arm Shaft (horizontal) Bevel Gear with two 1036C.....
142003	23000	Arm Shaft (horizontal) Bevel Gear Case (two pieces) with 51068R,140184E and 142005.....
142005	23000	Arm Shaft (horizontal) Bevel Gear Case Alemite Fitting.....
140184E	23000	Arm Shaft (horizontal) Bevel Gear Case Plug Screw.....
51068R	23000	Arm Shaft (horizontal) Bevel Gear Case Screw.....
1036C	23000	Arm Shaft (horizontal) Bevel Gear Set Screw.....
52260	23000	Arm Shaft (horizontal) Flanged Bushing (back) with 52193 and 52289.....
52193	23000	Arm Shaft (horizontal) Flanged Bushing (back) Oil Pad (inside) braided cotton.....
52289	23000	Arm Shaft (horizontal) Flanged Bushing (back) Oil Pad (outside) felt.....
443C	23000	Arm Shaft (horizontal) Flanged Bushing (back) Set Screw.....

No.	Plate	Name
52196	23000	Arm Shaft (horizontal) Flanged Bushing (front) with 52193 and 52198.....
52193	23000	Arm Shaft (horizontal) Flanged Bushing (front) Oil Pad (inside) braided cotton.....
52198	23000	Arm Shaft (horizontal) Flanged Bushing (front) Oil Pad (outside) felt.....
435C	23000	Arm Shaft (horizontal) Flanged Bushing (front) Set Screw.....
68350	22999	Arm Shaft (horizontal) Front Bearing Oil Cup.....
52262	23000	Arm Shaft (horizontal) Intermediate Bushing with 52193 and 52263.....
52193	23000	Arm Shaft (horizontal) Intermediate Bushing Oil Pad (inside) braided cotton.....
52263	23000	Arm Shaft (horizontal) Intermediate Bushing Oil Pad (outside) felt.....
423C	23000	Arm Shaft (horizontal) Intermediate Bushing Set Screw.....
144D	23000	Arm Shaft (horizontal) Screw.....
142006	23000	" " (upright).....
52281	23000	" " " Bevel Gear (lower) with two 1259C.....
1259C	23000	Arm Shaft (upright) Bevel Gear (lower) Set Screw.....
52282	23000	Arm Shaft (upright) Bevel Gear (upper) with two 1259C.....
1259C	23000	Arm Shaft (upright) Bevel Gear (upper) Set Screw.....
52276	23000	Arm Shaft (upright) Bushing (lower) with 52279 and 52280.....
433C	23000	Arm Shaft (upright) Bushing (lower) Set Screw.....
52278	23000	Arm Shaft (upright) Bushing (upper) with 52279 and 52280.....
443C	23000	Arm Shaft (upright) Bushing (upper) Set Screw.....
52280	23000	Arm Shaft (upright) Bushing Oil Pad (outside) felt.....
52279	23000	Arm Shaft (upright) Bushing Oil Wick (inside) braided cotton.....
127079	22999	Arm Side Cover.....
50053W	22999	" " " Thumb Screw.....
52239	22999	" Spool Pin and Thread Eyelet.....
8879	22999	" " " Washer (cloth).....
127192	22999	" Top Cover.....
127193	-----	" " " 127192 with 52183, 52239, 127187 and 127255.....
127255	22999	Arm Top Cover Positioning Disc.....

No.	Plate	Name
158J	22999	Arm Top Cover Screw.....
52176	23000	Balance Wheel (power, disc) 2 3/16 in. pulley, with two 448C.....
448C	23000	Balance Wheel Set Screw.....
*127270	-----	Bed.....
Note: Due to the accuracy required for gear alignment, Bed cannot be supplied separately and can only be sent out as a unit, Arm and Bed assembled.		
12431	23001	Bed Slide.....
4307	23001	" " Spring.....
725J	23001	" " " Screw.....
12432	23001	Bed Slide complete, Nos. 4307, 12431 and two 725J.....
52102	23001	Face Plate.....
52053	23001	" " Thread Guard (lower).....
226J	23001	" " " " " Screw...
52170	23001	" " " " (upper).....
226J	23001	" " " " " Screw...
52103	-----	Face Plate complete, Nos. 52053, 52102, 52170 and two 226J.....
176J	23001	Face Plate Screw.....
52452	23004	Feed Bar.....
313C	23004	" " Screw Center.....
56813	-----	" " " " 313C with 1519J...
1519J	23004	" " " " Nut.....
52165	23000	" Connecting Link.....
375C	23000	" " " Hinge Screw.....
1518J	23000	" " " " " Nut....
52073	23000	" " " " Stud.....
50083C	23000	" " " " Set Screw
127025	23001	" Dog, 9 teeth (12 teeth to the inch) for 127036 and 127040.....
50117E	23001	Feed Dog Screw.....
127224	23000	" and Feed Lifting Eccentric with 446C, 52210 and 52211.....
127226	-----	Feed and Feed Lifting Eccentric 127224 with 127152.....
52210	-----	Feed and Feed Lifting Eccentric Lubri- cating Pad (long) wood.....
52211	-----	Feed and Feed Lifting Eccentric Lubri- cating Pad (short) wood.....
446C	23000	Feed and Feed Lifting Eccentric Set Screw.....
127152	23000	Feed and Feed Lifting Eccentric Sleeve..
20284	23000	" Forked Connection.....
52393	-----	" " " 20284 with 375C, 1518J and 52165.....
375C	23000	Feed Forked Connection Hinge Screw.....
1518J	23000	" " " " " Nut..

No.	Plate	Name
52384	23004	Feed Lifting Rock Shaft.....
127269	-----	Feed Lifting Rock Shaft complete, Nos. 52265 and 52384.....
127156	23000	Feed Lifting Rock Shaft Connecting Rod with two 966E.....
966E	23000	Feed Lifting Rock Shaft Connecting Rod Cap Screw.....
375C	23000	Feed Lifting Rock Shaft Connecting Rod Hinge Screw.....
1518J	23000	Feed Lifting Rock Shaft Connecting Rod Hinge Screw Nut.....
52265	23004	Feed Lifting Rock Shaft Crank with 157J and 52267.....
157J	23004	Feed Lifting Rock Shaft Crank Clamping Screw.....
52267	23004	Feed Lifting Rock Shaft Crank Slide Block.....
50191C	23004	Feed Lifting Rock Shaft Screw Center....
52097	-----	" " " " " " 50191C with 1513J.....
1513J	23004	Feed Lifting Rock Shaft Screw Center Nut
52074	23000	" Regulator with 50083C.....
52118	-----	" " 52074 with 52073.....
1128E	23000	" " Hinge Screw.....
818D	23000	" " Thumb Screw.....
52359	23000	" " " " Stop.....
Note: No. 52359 is not regularly furnished unless specified on order.		
52386	23004	Feed Rock Shaft.....
52387	-----	Feed Rock Shaft complete, Nos. 29633 and 52386.....
29633	23004	Feed Rock Shaft Crank with 157J.....
157J	23004	" " " " Clamping Screw....
50191C	23004	" " " Screw Center.....
52097	-----	" " " " " 50191C with 1513J.....
1513J	23004	Feed Rock Shaft Screw Center Nut.....
127026	-----	Knife (narrow).....
127027	23002	" (wide).....
620C	23002	" Adjusting Screw.....
52104	23002	" Bar with 2301.....
24431	23002	" " Crank with 191C.....
1162C	23002	" " " Coupling Pin.....
1564D	23002	" " " " " Head.....
2297	23002	" " " " " Spring.....
2022	23002	" " " Pin.....
191C	23002	" " " Set Screw.....
24432	-----	Knife Bar Crank complete, Nos. 1162C, 1564D, 2297 and 24431.....
127028	23002	Knife Bar Driving Crank (forked).....

No.	Plate	Name
16564	23002	Knife Bar Driving Crank Bracket.....
127029	23002	Knife Bar Driving Crank Bracket complete, Nos. 2022, 16564, 2443E and 127028..
647C	23002	Knife Bar Driving Crank Bracket Screw...
24122	23002	" " Lifting Spring.....
24123	23002	" " " " Case.....
24906	23002	" " " " Guide with 2523
621J	23002	" " " " Bracket Screw.....
2523	23002	Knife Bar Lifting Spring Guide Pin.....
2301	23002	" " Stop Pin.....
52107	-----	Knife Bar complete, Nos. 621J, 24109, 24906, 52104, 52108 and three 50117E
52108	23002	Knife Holder with 620C, 2291 and two 223J.....
24109	23002	Knife Holder Handle.....
50117E	23002	" " " Screw.....
50117E	23002	" " Screw.....
223J	23002	" Screw.....
2291	23002	" " Washer.....
127135	23003	Needle Bar (hollow) with 140239H.....
127137	-----	" " 127135 with 127136.....
127279	23003	" " Bushing (lower).....
1133E	23003	" " " " Set Screw....
52111	23003	" " " (upper).....
1133E	23003	" " " " Set Screw....
127231	23003	" " Connecting Link with 52207...
127232	-----	" " " " 127231 with 24041.....
775E	23003	Needle Bar Connecting Link Cap Screw....
52207	23003	" " " " Lubricating Pad (wood).....
24041	23003	Needle Bar Connecting Stud with 207E....
207E	23003	" " " " Clamping Screw
127223	23000	" " Crank (eccentric) with 1036C, 1037C and 1065C.....
127032	23000	Needle Bar Crank (eccentric) Sleeve....
1065C	23000	" " " Position Screw.....
127136	23003	" " Thread Guide.....
140239H	23003	" Set Screw.....
127191	22999	Oil Tube with 52184.....
127091	22999	" " Bracket.....
127092	22999	" " " 127091 with 127191, for oiling 52165.....
52184	22999	Oil Tube Packing (wick).....
12391	23003	Presser Bar (hollow).....
52338	23003	" " Guide Bracket with 223C and 453C.....
453C	23003	Presser Bar Guide Bracket Set Screw....
52016	23003	" " Lifter.....

No.	Plate	Name
680C	23003	Presser Bar Lifter Screw.....
1520AJ	23003	" " " " Nut.....
12327	23003	" " Lifting and Releasing Lever Bracket.....
127108	23003	Presser Bar Spring.....
11170	23003	" " " Washer.....
127033	23003	" Foot, for 1/16 in. to 11/64 in. gauges.....
127034	23003	Presser Foot, for 3/16 in. gauge and above.....
Note: No. 127033, 1/8 in. gauge and No. 127034, 3/16 in. gauge, are sent with this machine unless other gauges are specified on order.		
176J	23003	Presser Foot Screw.....
50373W	23003	Pressure Regulating Thumb Screw.....
127095	23003	Rotating Hook with three 1253C.....
127096	23003	" " 127095 with 127102 and four 1053E.....
*127239	-----	Rotating Hook 127096 with 40274, 127242 and three 1367E.....
127097	-----	Rotating Hook 127096 with 40274 and three 1367E (For agents only)....
127240	23003	Rotating Hook 127239 with 52237.....
40264	23003	" " Bobbin.....
52235	23003	" " " Case.....
52236	-----	" " " " 52235 with 591F, 1380E and 40394.....
40392	23003	Rotating Hook Bobbin Case Latch.....
125320	23003	" " " " " Lever...
2974	23003	" " " " " Ful- crum Pin.....
2975	23003	Rotating Hook Bobbin Case Latch Spring..
592E	23003	" " " " " Stop Screw
40393	-----	" " " " Hinge, Nos. 2974, 40392 and 125320.....
591F	23003	Rotating Hook Bobbin Case Tension Regu- lating Screw.....
40394	23003	Rotating Hook Bobbin Case Tension Spring
1380E	23003	" " " " " " "
52237	23003	Screw.....
52237	23003	Rotating Hook Bobbin Case complete, Nos. 592E, 2975, 40393 and 52236.....
127241	-----	Rotating Hook Bobbin Case 52237 with 127242.....
127242	23003	Rotating Hook Bobbin Case Holder.....
52018	23004	" " " " " Position Bracket.....
704J	23004	Rotating Hook Bobbin Case Holder Posi- tion Bracket Screw.....
40274	23003	Rotating Hook Section.....

No.	Plate	Name
1367E	23003	Rotating Hook Section Screw.....
1253C	23003	" " Set Screw.....
127292	23004	" " Shaft.....
127073	23004	" " " Bevel Gear with two 1259C.....
142004	23004	Rotating Hook Shaft Bevel Gear Case (two pieces) with 51068R, 140184E and 142005.....
142005	23004	Rotating Hook Shaft Bevel Gear Case Ale- mite Fitting.....
140184E	23004	Rotating Hook Shaft Bevel Gear Case Plug Screw.....
51068R	23004	Rotating Hook Shaft Bevel Gear Case Screw.....
1259C	23004	Rotating Hook Shaft Bevel Gear Set Screw
52286	23004	" " " Bushing (back) with 52279 and 52280.....
1143C	23004	Rotating Hook Shaft Bushing (back) Set Screw.....
52288	23004	Rotating Hook Shaft Bushing (front) with 52279 and 52280.....
142008	23004	Rotating Hook Shaft Bushing (front) Oil Cup.....
1148C	23004	Rotating Hook Shaft Bushing (front) Set Screw.....
52280	23004	Rotating Hook Shaft Bushing Oil Pad (outside) felt.....
52279	23004	Rotating Hook Shaft Bushing Oil Wick (inside) braided cotton.....
127102	23003	Rotating Hook Thread Guard.....
1053E	23003	" " " " Screw.....
52115	23003	Slack Thread Regulator.....
223C	23003	" " " Set Screw.....
2102	23001	Tension Disc.....
1560C	23001	" Regulating Thumb Nut.....
32572	23001	" Releasing Disc.....
43944	23001	" " Lever.....
12398	23001	" " " Hinge Pin.....
12329	23001	" " " Spring.....
32574	23001	" " Pin.....
2103	23001	" Spring.....
50304C	23001	" Stud.....
52098	-----	" " 50304C with 1560C.....
50305C	23001	" " Set Screw.....
52397	23001	Tension complete, Nos. 2103, 32572, 32574, 52083, 52098, 52394 and two 2102....
52027	23001	Thread Guard (side of arm).....
52454	23001	" Retainer.....
624C	23001	" " Set Screw.....
127280	-----	Thread Take-up complete, Nos. 11204, 52023 and 127281.....

No.	Plate	Name
52021	23003	Thread Take-up Crank.....
127281	-----	" " " 52021 with 775E and 127232.....
1037C	23000	Thread Take-up Crank Position Screw....
1036C	23000	" " " Set Screw.....
52022	23003	" " Lever with 52130.....
52023	23003	" " " Hinge Pin.....
52024	23003	" " " Link.....
11204	23003	" " " " Hinge Pin....
435C	23003	" " " " " " Set Screw.....
52130	23003	Thread Take-up Lever Thread Eyelet Bush- ing.....
52025	-----	Thread Take-up Lever complete, Nos. 52022 to 52024.....
52394	23001	Thread Take-up Spring.....
52083	23001	" " " Regulator with 50305C.....
448C	23001	Thread Take-up Spring Regulator Set Screw.....
5729	23001	Throat Plate Body.....
142032	23001	" " Cutting Bar, for 127036....
Note: No. 142032, 3/16 in. gauge, is sent with this machine unless another gauge is specified on or- der.		
52131	-----	Throat Plate Cutting Bar, for 127040....
Note: When ordering No. 52131 or 142032, state re- quired distance of trimmed edge from seam.		
578D	23001	Throat Plate Cutting Bar Screw.....
127035	23001	" " Slide.....
578D	23001	" " " Adjusting Screw.....
127036	23001	Throat Plate (small needle hole) com- plete for 127025, Nos. 5729, 127035, 142032 and three 578D.....
Note: No. 127036, 1/8 in. gauge, is sent with this machine unless another gauge is specified on or- der.		
127040	-----	Throat Plate (large needle hole) com- plete for 127025, Nos. 5729, 52131, 127035 and three 578D.....
Note: When ordering No. 127036 or 127040, state re- quired distance of trimmed edge from seam.		
691F	23001	Throat Plate Screw.....
44212	22910	Drip Pan with four 1 in. wire nails....
*15404	-----	Trade Mark.....
15405	-----	" " Rivet.....

MACHINE BASE

No.	Plate	Name
19219	22909	Bed Frame Cushion (leather).....
158C	22909	" " " Screw.....
19220	22909	" " " Spring.....
19226	22909	" " Hinge Connection.....
19398	-----	" " " " 19226 with 211F and 19397.....
19397	22909	Bed Frame Hinge Connection Cap.....
211F	22909	" " " " " Screw....
16555	22909	" " " Plate.....
14010	22909	" " " " Rivet.....
20067	22909	" " with two each 16555, 19398, four each 19219,19220,six each 14010,wood screws 1 1/4 in. No. 12 and eight 158C.....

ACCESSORIES

No.	Plate	Name
121587	22981	Grease Gun (3 oz. capacity) for Fitting No. 142005.....
121588	22981	Grease Gun (1/2 lb.capacity) for Fitting No. 142005.....
20022	22906	Machine Cushion (felt).....
12361	22906	" Hinge Connection.....
44139	22906	" " Plate.....
44140	22906	Machine Hinge complete, Nos.12361, 44139 and merlized wood screw 1 1/4 in.No. 14.....
41400	22906	Machine Rest Pin (wood).....
120342	22906	Oiler (copper plated) with 120343.....
120343	22906	" Spout, 3 1/2 in. long.....
26022	22906	Screw Driver (large).....
26485	22906	" " (small).....
8909	22906	Wrench for 1513 and 1518.....
8908	22906	" " 1519 and 1520.....

BOBBIN WINDERS

BOBBIN WINDER
(SWINGING AUTOMATIC, LEFT HAND)

No.	Plate	Name
41913	22247	Bracket with 457C.....
41583	22247	Frame with 457C.....
34105	22247	" Hinge Pin.....
457C	22247	" " " Set Screw.....
41914	22247	" Spring.....
41585	22247	Pulley with 171D.....
171D	22247	" Set Screw.....
41586	22247	Spindle.....
41587	22247	Stop Latch.....
42614	22247	" " Hinge Stud.....
457C	22247	" " " " Set Screw.....
7958	22247	" " Stop Pin.....
41588	22247	" " Tripping Arm with 185H.....
185H	22247	" " " " Clamping Screw..
150459	22247	Tension Bracket with 460C.....
150460	22247	Tension Bracket complete, Nos. 41593 to 41595, 52183, 52239, 127187, 127255, 150459 and two 2455.....
158J	22247	Tension Bracket Screw.....
52239	22247	" " Spool Pin and Thread Eyelet
8879	22247	" " " " Washer (cloth)...
2455	22247	" Disc.....
41593	22247	" Spring.....
41594	22247	" Stud.....
460C	22247	" " Set Screw.....
41595	22247	" Thread Guide.....
60845	22247	Bobbin Winder, Nos. 7958, 34105, 41583, 41585 to 41588,41913,41914 and 42614
41915	-----	Bobbin Winder 60845 with 880E and 25446.
150461	22247	Bobbin Winder (swinging automatic, left hand) complete, Nos.41915 and 150460
880E	22247	Bobbin Winder Screw.....
25446	22247	" " " Washer.....

BOBBIN WINDER
(SWINGING AUTOMATIC, RIGHT HAND)

No.	Plate	Name
41339	22907	Base.....
41340	22907	Frame.....
1429D	22907	" Hinge Screw.....
41341	22907	" Spring.....
207D	22907	" " Screw.....
41342	22907	Pulley with 200F.....
200F	22907	" Set Screw.....
41343	22907	Spindle.....
27306	22907	Spool Pin.....
27307	22907	" Stand.....
27308	22907	Spool Stand complete, Nos. 418E, 1562J, 2106, 10141, 11241, 27306, 27307 and two each 2455 and wood screws 1 in. No. 10.....
11241	22907	Spool Washer (cloth).....
41344	22907	Stop Latch.....
41345	22907	" " Finger.....
152F	22907	" " " Screw.....
1430D	22907	" " Hinge Screw.....
1550H	22907	" " " " Nut.....
41346	22907	" " Lever.....
1430D	22907	" " " Hinge Screw.....
2455	22907	Tension Disc.....
1562J	22907	" Regulating Thumb Nut.....
418E	22907	" Screw Stud.....
10141	22907	" Spring.....
2106	22907	" Thread Guide.....
60456	-----	Bobbin Winder, Nos. 152F, 207D, 1429D, 1550H, 41339 to 41346 and three 1430D.....
41347	22907	Bobbin Winder, Nos. 60456 and two each 9331 and wood screws 1 in. No. 10 R.H.B.....
41348	22907	Bobbin Winder (swinging automatic, right hand) complete, Nos. 27308 and 41347
9331	22907	Bobbin Winder Washer.....

BOBBIN WINDER
(SWINGING AUTOMATIC, RIGHT HAND)
FOR POWER TABLE

No.	Plate	Name
225433	22908	Bobbin Winder and Tension Bracket Base..
225453	22908	Frame with 202277 and 225438.....
225454	22908	" Hinge Pin.....
202277	22908	" Oil Packing (wick).....
225438	22908	" " Well Cap.....
225455	22908	" Spring.....
225456	22908	" " Plunger.....
202473	22908	Pulley with 200380C.....
200380C	22908	" Set Screw.....
225381	22908	Spindle.....
225444	22908	Stop Latch.....
200056E	22908	" " Screw.....
225458	22908	" " Thumb Lever.....
225459	22908	" " " " Hinge Stud.....
202478	22908	" " Trip Lever.....
200299H	22908	" " " " Hinge Screw.....
225461	22908	Tension Bracket with 201499B.....
200082D	22908	" " Screw.....
228026	22908	" " " Washer.....
2102	22908	" Disc.....
202407	22908	" Spring.....
201499B	22908	" Stud.....
201572B	22908	" " Thumb Nut.....
225462	22908	Tension Bracket complete, Nos. 201572B, 202407, 225461 and two 2102.....
225382	22908	Bobbin Winder (swinging automatic, right hand) complete, Nos. 200056E, 200082D, 200299H, 202473, 202478, 225381, 225433, 225444, 225453 to 225456, 225458, 225462, 228026 and two each 225459 and wood screws 3/4 in. No. 12 R.H.B.

FINGER GUARD

No.	Plate	Name
121356	22999	Finger Guard.....

FOOT LIFTER PARTS

No.	Plate	Name
5596	23004	Bell Crank.....
56848	-----	" " 5596 with 5599 and 5601.....
5599	23004	" " Bracket.....
178E	23004	" " " Screw.....
5601	23004	" " Hinge Pin.....
5735	23004	" " Spring.....
5598	-----	Bell Crank complete, Nos. 5735 and 56848
5670	22909	Chain, length 26 in. to 35 in. with 56864 and 56865.....
Note: When ordering No. 5670, state length required.		
4879	22909	Chain Connecting Link.....
56864	22909	" Hook (large).....
56865	22909	" " (small).....
20340	23004	Lifting Lever with 448C.....
24940	23004	" " Connecting Rod.....
12416	23004	" " " " Joint.....
76D	23004	" " " " " Hinge Screw.....
1521J	23004	Lifting Lever Connecting Rod Lock Nut...
802D	23004	" " Hinge Screw.....
12241	23003	" " Link.....
766D	23003	" " " Hinge Screw.....
16586	23004	" " Pin.....
448C	23004	" " " Set Screw.....
2763	22909	Rock Shaft.....
12242	22909	" " Hanger with two wood screws 1 in. No. 10.....
6337	22909	Rock Shaft Lifting Bracket with two 356C
12243	22909	" " " " Hook.....
7125	22909	" " " " Hook.....
356C	22909	" " " " " Set Screw
356C	22909	" " " " " Set Screw....
2770	22909	" " Stop Dog with 140219C.....
140219C	22909	" " " " " Set Screw.....
4880	22909	Rock Shaft complete, Nos. 2763, 2770, 7125, 12243 and two each 6337 and 12242...
4881	22909	Treadle.....
4882	22909	" Shaft.....
4883	22909	" Spring.....
4884	22909	" Stand.....
4885	22909	Treadle complete, Nos. 4879, 4881 to 4884 and two wood screws 1 in. No. 16....
127037	-----	Foot Lifter complete, Nos. 76D, 766D, 802D, 1521J, 4880, 4885, 5598, 5670, 12241, 12416, 16586, 20340, 24940 and two 178E

KNEE LIFTER PARTS

No.	Plate	Name
5596	23004	Bell Crank.....
56848	-----	" " 5596 with 5599 and 5601.....
5599	23004	" " Bracket.....
178E	23004	" " " Screw.....
5601	23004	" " Hinge Pin.....
5735	23004	" " Spring.....
5598	-----	Bell Crank complete, Nos. 5735 and 56848
20340	23004	Lifting Lever with 448C.....
24940	23004	" " Connecting Rod.....
12416	23004	" " " " Joint.....
76D	23004	" " " " " Hinge Screw.....
1521J	23004	Lifting Lever Connecting Rod Lock Nut...
802D	23004	" " Hinge Screw.....
12241	23003	" " Link.....
766D	23003	" " " Hinge Screw.....
16586	23004	" " Pin.....
448C	23004	" " " Set Screw.....
2763	22910	Rock Shaft.....
7539	22910	" " Hanger with two wood screws 1 in. No. 10.....
2765	22910	Rock Shaft Knee Arm.....
2766	22910	" " " " Hub with 356C.....
356C	22910	" " " " " Set Screw.....
2768	-----	Rock Shaft Knee Arm complete, Nos. 2765 to 2767.....
2767	22910	Rock Shaft Knee Plate with 356C.....
356C	22910	" " " " " Set Screw.....
6337	22910	" " Lifting Bracket with two 356C
2778	22910	" " " " Hook.....
356C	22910	" " " " " Set Screw
356C	22910	" " " " " Set Screw....
2770	22910	" " Stop Dog with 140219C.....
140219C	22910	" " " " " Set Screw.....
12250	22910	Rock Shaft complete, Nos. 2763, 2768, 2778, 6337 and two each 2770 and 7539....
127038	-----	Knee Lifter complete (power table) Nos. 76D, 766D, 802D, 1521J, 5598, 12241, 12250, 12416, 16586, 20340, 24940 and two 178E.....

KNIFE GRINDER

FOR I27026 and I27027

No.	Plate	Name
27565	23005	Emery Wheel, 2 in. diam.....
1508J	23005	" " Clamping Nut.....
27822	23005	" " " " Washer.....
27567	23005	" " Shaft.....
60934	-----	" " " 27567 with 1508J,27565, 27569 and 27822.....
27568	23005	Emery Wheel Shaft Oil Hole Cover (rub- ber).....
27569	23005	Emery Wheel Shaft Pulley.....
310K	23005	" " " " Screw Center.....
1516J	23005	" " " " " Nut.....
27564	23005	Frame with 27574.....
899J	23005	Knife Clamping Screw.....
126304	23005	" Holder Body.....
126305	23005	Knife Holder complete, Nos. 899J, 27660 and 126304.....
27323	23005	Knife Holder Guide Bar.....
27572	23005	" " " " Bracket with 27574.....
310K	23005	Knife Holder Guide Bar Bracket Screw Center.....
1516J	23005	Knife Holder Guide Bar Bracket Screw Center Nut.....
27573	23005	Knife Holder Guide Bar Bracket Spring...
27574	23005	" " " " " " Hook
27659	23005	" " Stop Collar with 237K.....
237K	23005	" " " " Set Screw.....
27660	23005	" Position Pin.....
261J	23005	" Regulating Thumb Screw.....
27662	23005	Wrench for 1508 and 1516.....
*60583	-----	Knife Grinder, Nos. 261J, 27323, 27564, 27572,27573,27659,60934, two 27568 and four each 310K and 1516J.....
126306	23005	Knife Grinder complete, Nos.27662,60583, 126305 and three wood screws 1 in. No. 10.....

THREAD UNWINDER

FOR TWO SPOOLS OR TWO LARGE CONES OF THREAD

No.	Plate	Name
225257	22248	Spool Rest with 201018C.....
150203	22248	" " Cushion (felt).....
225388	22248	" " Rod.....
200383C	22248	" " " Set Screw.....
201018C	22248	" " Set Screw.....
202490	22248	" Stand with 200383C.....
225391	22248	Thread Guide.....
201696J	22248	" " Lock Nut.....
225326	22248	" " Position Cup.....
225324	22248	" " Rod with 208E and 225322...
208E	22248	" " " Screw.....
225322	22248	" " " Washer.....
225258	22248	Thread Unwinder complete, Nos. 201696J, 202490,225257,225324,225326,225388, two each 150203,225391 and three wood screws 7/8 in. No. 12.....
27739	22248	Thread Cone (wood) for large cones.....
225390	22248	" " Holder, for inverted cones..

Note: Nos. 27739 and 225390 are used with, but not
included in 225258.

Genuine Singer Needles should be used
in Singer Machines.
These Needles and their Containers
are marked with the
Company's Trade Mark "SIMANCO." 1

Needles in Containers marked
"For Singer Machines"
are not Singer made needles. 2

Genuine Singer Needles should be used
in Singer Machines.
These Needles and their Containers
are marked with the
Company's Trade Mark "SIMANCO." 1

Needles in Containers marked
"For Singer Machines"
are not Singer made needles. 2

NUMERICAL
LIST
OF PARTS

NUMERICAL LIST OF PARTS

No.	Plate	Name
76D	23004	Lifting Lever Connecting Rod Joint Hinge Screw for 127037 and 127038.....
116E	22999	Arm Screw (back).....
144D	23000	" Shaft (horizontal) Screw.....
152F	22907	Bobbin Winder Stop Latch Finger Screw for 60456.....
157J	23004	Feed Lifting Rock Shaft Crank Clamping Screw for 52265.....
157J	23004	Feed Rock Shaft Crank Clamping Screw for 29633.....
158J	22999	Arm Top Cover Screw.....
158C	22909	Bed Frame Cushion Screw for 20067.....
158J	22247	Bobbin Winder Tension Bracket Screw.....
171D	22247	" " Pulley Set Screw for 41585
176J	23001	Face Plate Screw.....
176J	23003	Presser Foot Screw.....
178E	23004	Bell Crank Bracket Screw for 127037 and 127038.....
185H	22247	Bobbin Winder Stop Latch Tripping Arm Clamping Screw for 41588.....
191C	23002	Knife Bar Crank Set Screw for 24431.....
200F	22907	Bobbin Winder Pulley Set Screw for 41342
207E	23003	Needle Bar Connecting Stud Clamping Screw for 24041.....
207D	22907	Bobbin Winder Frame Spring Screw for 60456.....
208E	22248	Thread Unwinder Thread Guide Rod Screw for 225324.....
211F	22909	Bed Frame Hinge Connection Cap Screw for 19398.....
223J	23002	Knife Screw for 52108.....
223C	23003	Slack Thread Regulator Set Screw for 52338.....
226J	23001	Face Plate Thread Guard (lower) Screw for 52103.....
226J	23001	Face Plate Thread Guard (upper) Screw for 52103.....
237K	23005	Knife Grinder Knife Holder Stop Collar Set Screw for 27659.....
261J	23005	Knife Grinder Knife Regulating Thumb Screw for 60583.....
310K	23005	Knife Grinder Emery Wheel Shaft Screw Center for 60583.....
310K	23005	Knife Grinder Knife Holder Guide Bar Bracket Screw Center for 60583.....

NUMERICAL LIST OF PARTS

No.	Plate	Name
313C	23004	Feed Bar Screw Center for 56813.....
356C	22910	Rock Shaft Knee Arm Hub Set Screw for 2766.....
356C	22910	Rock Shaft Knee Plate Set Screw for 2767
356C	22909	" " Lifting Bracket Hook Set Screw for 6337.....
356C	22909	Rock Shaft Lifting Bracket Set Screw for 6337.....
375C	23000	Feed Connecting Link Hinge Screw for 52393.....
375C	23000	Feed Forked Connection Hinge Screw.....
375C	23000	" Lifting Rock Shaft Connecting Rod Hinge Screw.....
418E	22907	Bobbin Winder Tension Screw Stud for 27308.....
423C	23000	Arm Shaft (horizontal) Intermediate Bushing Set Screw.....
432C	23000	Arm Shaft (upright) Bushing (lower) Set Screw.....
435C	23000	Arm Shaft (horizontal) Flanged Bushing (front) Set Screw.....
435C	23003	Thread Take-up Lever Link Hinge Pin Set Screw.....
443C	23000	Arm Shaft (upright) Bushing (upper) Set Screw.....
446C	23000	Feed and Feed Lifting Eccentric Set Screw for 127224.....
446C	23000	Arm Shaft (horizontal) Flanged Bushing (back) Set Screw.....
446C	23000	Balance Wheel Set Screw for 52176.....
446C	23001	Thread Take-up Spring Regulator Set Screw.....
446C	23004	Lifting Lever Pin Set Screw for 20340...
453C	23003	Presser Bar Guide Bracket Set Screw for 52338.....
457C	22247	Bobbin Winder Frame Hinge Pin Set Screw for 41583.....
457C	22247	Bobbin Winder Stop Latch Hinge Stud Set Screw for 41913.....
460C	22247	Bobbin Winder Tension Stud Set Screw for 150459.....
578D	23001	Throat Plate Cutting Bar Screw for 127036 and 127040.....
578D	23001	Throat Plate Slide Adjusting Screw for 127036 and 127040.....
591F	23003	Rotating Hook Bobbin Case Tension Regulating Screw for 52236.....
592E	23003	Rotating Hook Bobbin Case Latch Stop Screw for 52237.....
620C	23002	Knife Adjusting Screw for 52108.....

NUMERICAL LIST OF PARTS

No.	Plate	Name
621J	23002	Knife Bar Lifting Spring Guide Bracket Screw for 52107.....
624C	23001	Thread Retainer Set Screw.....
647C	23002	Knife Bar Driving Crank Bracket Screw...
689C	23003	Presser Bar Lifter Screw.....
691F	23001	Throat Plate Screw.....
704J	23004	Rotating Hook Bobbin Case Holder Position Bracket Screw.....
725J	23001	Bed Slide Spring Screw for 12432.....
766D	23003	Lifting Lever Link Hinge Screw for 127037 and 127038.....
775E	23003	Needle Bar Connecting Link Cap Screw for 127281.....
802D	23004	Lifting Lever Hinge Screw for 127037 and 127038.....
818D	23000	Feed Regulator Thumb Screw.....
854E	22999	Arm Screw (front).....
880E	22247	Bobbin Winder Screw for 41915.....
899J	23005	Knife Grinder Knife Clamping Screw for 126305.....
966E	23000	Feed Lifting Rock Shaft Connecting Rod Cap Screw for 127156.....
1036C	23000	Arm Shaft (horizontal) Bevel Gear Set Screw for 127072.....
1036C	23000	Thread Take-up Crank Set Screw for 127223.....
1037C	23000	Thread Take-up Crank Position Screw for 127223.....
1053E	23003	Rotating Hook Thread Guard Screw for 127096.....
1065C	23000	Needle Bar Crank Position Screw for 127223.....
1128E	23000	Feed Regulator Hinge Screw.....
1133E	23003	Needle Bar Bushing (lower) Set Screw...
1133E	23003	" " " (upper) Set Screw...
1143C	23004	Rotating Hook Shaft Bushing (back) Set Screw.....
1148C	23004	Rotating Hook Shaft Bushing (front) Set Screw.....
1162C	23002	Knife Bar Crank Coupling Pin for 24432..
1253C	23003	Rotating Hook Set Screw for 127095.....
1259C	23000	Arm Shaft (upright) Bevel Gear (lower) Set Screw for 52281.....
1259C	23000	Arm Shaft (upright) Bevel Gear (upper) Set Screw for 52282.....
1259C	23004	Rotating Hook Shaft Bevel Gear Set Screw for 127073.....
1367E	23003	Rotating Hook Section Screw for 127097 and 127239.....
1380E	23003	Rotating Hook Bobbin Case Tension Spring Screw for 52236.....

NUMERICAL LIST OF PARTS

No.	Plate	Name
1429D	22907	Bobbin Winder Frame Hinge Screw for 60456.....
1430D	22907	Bobbin Winder Stop Latch Hinge Screw for 60456.....
1430D	22907	Bobbin Winder Stop Latch Lever Hinge Screw for 60456.....
1508J	23005	Knife Grinder Emery Wheel Clamping Nut for 60934.....
1513J	23004	Feed Lifting Rock Shaft Screw Center Nut for 52097.....
1513J	23004	Feed Rock Shaft Screw Center Nut for 52097.....
1516J	23005	Knife Grinder Emery Wheel Shaft Screw Center Nut for 60583.....
1516J	23005	Knife Grinder Knife Holder Guide Bar Bracket Screw Center Nut for 60583..
1518J	23000	Feed Connecting Link Hinge Screw Nut for 52393.....
1518J	23000	Feed Forked Connection Hinge Screw Nut..
1518J	23000	" Lifting Rock Shaft Connecting Rod Hinge Screw Nut.....
1519J	23004	Feed Bar Screw Center Nut for 56813.....
1520J	23003	Presser Bar Lifter Screw Nut.....
1521J	23004	Lifting Lever Connecting Rod Lock Nut for 127037 and 127038.....
1550H	22907	Bobbin Winder Stop Latch Hinge Screw Nut for 60456.....
1560C	23001	Tension Regulating Thumb Nut for 52098..
1562J	22907	Bobbin Winder Tension Regulating Thumb Nut for 27308.....
1564D	23002	Knife Bar Crank Coupling Pin Head for 24432.....
2022	23002	Knife Bar Crank Pin for 127029.....
2102	22908	Bobbin Winder Tension Disc for 225462...
2102	23001	Tension Disc for 52397.....
2103	23001	" Spring for 52397.....
2106	22907	Bobbin Winder Tension Thread Guide for 27308.....
2291	23002	Knife Screw Washer for 52108.....
2297	23002	" Bar Crank Coupling Pin Spring for 24432.....
2301	23002	Knife Bar Stop Pin for 52104.....
2455	22247	Bobbin Winder Tension Disc for 27308 and 150460.....
2523	23002	Knife Bar Lifting Spring Guide Pin for 24906.....
2763	22909	Rock Shaft for 4880 and 12250.....
2765	22910	" " Knee Arm for 2768.....
2766	22910	" " " " Hub with 356C, for 2768.....

NUMERICAL LIST OF PARTS

No.	Plate	Name
2767	22910	Rock Shaft Knee Plate with 356C, for 2768.....
2768	-----	Rock Shaft Knee Arm complete for 12250, Nos. 2765 to 2767.....
2770	22909	Rock Shaft Stop Dog with 140219C, for 4880 and 12250.....
2778	22910	Rock Shaft Lifting Bracket Hook for 12250.....
2974	23003	Rotating Hook Bobbin Case Latch Lever Fulcrum Pin for 40393.....
2975	23003	Rotating Hook Bobbin Case Latch Spring for 52237.....
4307	23001	Bed Slide Spring for 12432.....
4879	22909	Chain Connecting Link for 4885.....
4880	22909	Rock Shaft complete for 127037, Nos. 2763, 2770, 7125, 12243 and two each 6337 and 12242.....
4881	22909	Treadle for 4885.....
4882	22909	" Shaft for 4885.....
4883	22909	" Spring for 4885.....
4884	22909	" Stand for 4885.....
4885	22909	Treadle complete for 127037, Nos. 4879, 4881 to 4884 and two wood screws 1 in. No.16
5596	23004	Bell Crank for 56848.....
5598	-----	Bell Crank complete for 127037 and 127038, Nos. 5735 and 56848.....
5599	23004	Bell Crank Bracket for 56848.....
5601	23004	" " Hinge Pin for 56848.....
5670	22909	Chain, length 26 in. to 35 in. with 56864 and 56865, for 127037.....
5729	23001	Throat Plate Body for 127036 and 127040.
5735	23004	Bell Crank Spring for 5598.....
6337	22909	Rock Shaft Lifting Bracket with two 356C, for 4880 and 12250.....
7125	22909	Rock Shaft Lifting Bracket Hook for 4880
7539	22910	" " Hanger with two wood screws 1 in. No. 10 for 12250.....
7958	22247	Bobbin Winder Stop Latch Stop Pin for 60845.....
8879	22999	Arm Spool Pin Washer (cloth).....
8879	22247	Bobbin Winder Tension Bracket Spool Pin Washer (cloth).....
8908	22906	Wrench for 1519 and 1520 (Accessories)
8909	22906	" " 1513 and 1518 (Accessories)
9331	22907	Bobbin Winder Washer for 41347.....
10141	22907	" " Tension Spring for 27308..
11119	22999	Arm Oil Tube with 52045, for oiling 127032.....
11170	23003	Presser Bar Spring Washer.....

NUMERICAL LIST OF PARTS

No.	Plate	Name
11204	23003	Thread Take-up Lever Link Hinge Pin for 127280.....
11241	22907	Bobbin Winder Spool Washer (cloth) for 27308.....
12241	23003	Lifting Lever Link for 127037 and 127038
12242	22909	Rock Shaft Hanger with two wood screws 1 in. No. 10, for 4880.....
12243	22909	Rock Shaft Lifting Bracket Hook for 4880
12250	22910	Rock Shaft complete for 127038, Nos. 2763, 2768, 2778, 6337 and two each 2770 and 7539.....
12327	23003	Presser Bar Lifting and Releasing Lever Bracket.....
12329	23001	Tension Releasing Lever Spring.....
12361	22906	Machine Hinge Connection for 44140.....
12391	23003	Presser Bar (hollow).....
12398	23001	Tension Releasing Lever Hinge Pin.....
12416	23004	Lifting Lever Connecting Rod Joint for 127037 and 127038.....
12431	23001	Bed Slide for 12432.....
12432	23001	Bed Slide complete, Nos. 4307, 12431 and two 725J.....
14010	22909	Bed Frame Hinge Plate Rivet for 20067...
*15404	-----	Trade Mark for 127276.....
15405	-----	" " Rivet for 127276.....
16532	22999	Arm Dowel Pin.....
16555	22909	Bed Frame Hinge Plate for 20067.....
16564	23002	Knife Bar Driving Crank Bracket for 127029.....
16586	23004	Lifting Lever Pin for 127037 and 127038.
19219	22909	Bed Frame Cushion (leather) for 20067...
19220	22909	" " " Spring for 20067.....
19226	22909	" " Hinge Connection for 19398....
19397	22909	" " " " Cap for 19398
19398	-----	" " " " 19226 with 211F and 19397, for 20067.....
20022	22906	Machine Cushion (felt) Accessories....
20067	22909	Bed Frame with two each 16555, 19398, four each 19219, 19220, six each 14010, wood screws 1 1/4 in. No. 12 and eight 158C.....
20284	23000	Feed Forked Connection for 52393.....
20340	23004	Lifting Lever with 448C, for 127037 and 127038.....
24041	23003	Needle Bar Connecting Stud with 207E, for 127232.....
24109	23002	Knife Holder Handle for 52107.....
24122	23002	" Bar Lifting Spring.....
24123	23002	" " " " Case.....
24431	23002	" " Crank with 191C, for 24432....

NUMERICAL LIST OF PARTS

No.	Plate	Name
24432	-----	Knife Bar Crank complete for 127029, Nos. 1162C, 1564D, 2297 and 24431.....
24906	23002	Knife Bar Lifting Spring Guide with 2523, for 52107.....
24940	23004	Lifting Lever Connecting Rod for 127037 and 127038.....
25446	22247	Bobbin Winder Screw Washer for 41915....
26026	22906	Screw Driver (large) Accessories.....
26485	22906	" " (small) Accessories.....
27306	22907	Bobbin Winder Spool Pin for 27308.....
27307	22907	Bobbin Winder Spool Stand for 27308....
27308	22907	Bobbin Winder Spool Stand complete for 41348, Nos. 418E, 1562J, 2106, 10141, 11241, 27306, 27307 and two each 2455 and wood screws 1 in. No. 10.....
27323	23005	Knife Grinder Knife Holder Guide Bar for 60583.....
27564	23005	Knife Grinder Frame with 27574, for 60583.....
27565	23005	Knife Grinder Emery Wheel, 2 in. diam. for 60934.....
27567	23005	Knife Grinder Emery Wheel Shaft for 60934.....
27568	23005	Knife Grinder Emery Wheel Shaft Oil Hole Cover (rubber) for 60583.....
27569	23005	Knife Grinder Emery Wheel Shaft Pulley for 60934.....
27572	23005	Knife Grinder Knife Holder Guide Bar Bracket with 27574, for 60583.....
27573	23005	Knife Grinder Knife Holder Guide Bar Bracket Spring for 60583.....
27574	23005	Knife Grinder Knife Holder Guide Bar Bracket Spring Hook for 27564 and 27572.....
27659	23005	Knife Grinder Knife Holder Stop Collar with 237K, for 60583.....
27660	23005	Knife Grinder Knife Position Pin for 126305.....
27662	23005	Knife Grinder Wrench for 1508 and 1516, for 126306.....
27739	22248	Thread Unwinder Thread Cone (wood) for large cones for 225258.....
27822	23005	Knife Grinder Emery Wheel Clamping Nut Washer for 60934.....
29633	23004	Feed Rock Shaft Crank with 157J, for 52387.....
32572	23001	Tension Releasing Disc for 52397.....
32574	23001	" " Pin for 52397.....
34105	22247	Bobbin Winder Frame Hinge Pin for 60845.
40264	23003	Rotating Hook Bobbin.....

No.	Plate	Name
40274	23003	Rotating Hook Section for 127097 and 127239.....
40392	23003	Rotating Hook Bobbin Case Latch for 40393.....
40393	-----	Rotating Hook Bobbin Case Hinge, Nos. 2974, 40392 and 125320, for 52237...
40394	23003	Rotating Hook Bobbin Case Tension Spring for 52236.....
41339	22907	Bobbin Winder Base for 60456.....
41340	22907	" " Frame for 60456.....
41341	22907	" " " Spring for 60456....
41342	22907	" " Pulley with 200F, for 60456
41343	22907	" " Spindle for 60456.....
41344	22907	" " Stop Latch for 60456.....
41345	22907	" " " " Finger for 60456
41346	22907	" " " " Lever for 60456.
41347	22907	Bobbin Winder, Nos. 60456 and two each 9331 and wood screws 1 in. No. 10 R.H.B., for 41348.....
41348	22907	Bobbin Winder (swinging automatic, right hand) complete, Nos. 27308 and 41347
41400	22906	Machine Rest Pin (wood) Accessories...
41583	22247	Bobbin Winder Frame with 457C, for 60845
41585	22247	" " Pulley with 171D, for 60845
41586	22247	" " Spindle for 60845.....
41587	22247	" " Stop Latch for 60845.....
41588	22247	" " " " Tripping Arm with 185H, for 60845.....
41593	22247	Bobbin Winder Tension Spring for 150460.
41594	22247	" " " Stud for 150460...
41595	22247	" " " Thread Guide for 150460.....
41913	22247	Bobbin Winder Bracket with 457C, for 60845.....
41914	22247	Bobbin Winder Frame Spring for 60845....
41915	-----	" " 60845 with 880E and 25446, for 150461.....
42367	22999	Arm Oil Tube Packing (braided cotton) for 52185 and 127187.....
42614	22247	Bobbin Winder Stop Latch Hinge Stud for 60845.....
43944	23001	Tension Releasing Lever.....
44139	22906	Machine Hinge Plate for 44140.....
44140	22906	Machine Hinge complete, Nos. 12361, 44139 and merlized wood screw 1 1/4 in. No. 14 (Accessories).....
44212	22910	Drip Pan with four 1 in. wire nails....
50053W	22999	Arm Side Cover Thumb Screw.....
50083C	23000	Feed Connecting Link Hinge Stud Set Screw for 52074.....

No.	Plate	Name
50117E	23001	Feed Dog Screw.....
50117E	23002	Knife Holder Handle Screw for 52107.....
50117E	23002	" " Screw for 52107.....
50191C	23004	Feed Lifting Rock Shaft Screw Center for 52097.....
50191C	23004	Feed Rock Shaft Screw Center for 52097..
50304C	23001	Tension Stud for 52098.....
50305C	23001	" " Set Screw for 52083.....
50373W	23003	Pressure Regulating Thumb Screw.....
51068R	23000	Arm Shaft (horizontal) Bevel Gear Case Screw for 142003.....
51068R	23004	Rotating Hook Shaft Bevel Gear Case Screw for 142004.....
52016	23003	Presser Bar Lifter.....
52018	23004	Rotating Hook Bobbin Case Holder Position Bracket.....
52021	23003	Thread Take-up Crank for 127281.....
52022	23003	" " Lever with 52130 for 52025
52023	23003	" " " Hinge Pin for 52025.
52024	23003	" " " Link for 52025.....
52025	-----	Thread Take-up Lever complete for 127280, Nos. 52022 to 52024.....
52027	23001	Thread Guard (side of arm).....
52045	22999	Arm Oil Tube Packing (cotton) for 11119.
52053	23001	Face Plate Thread Guard (lower) for 52103.....
52073	23000	Feed Connecting Link Hinge Stud for 52118.....
52074	23000	Feed Regulator with 50083C, for 52118...
52083	23001	Thread Take-up Spring Regulator with 50305C, for 52397.....
52097	-----	Feed Lifting Rock Shaft Screw Center 50191C with 1513J.....
52097	-----	Feed Rock Shaft Screw Center 50191C with 1513J.....
52098	-----	Tension Stud 50304C with 1560C, for 52397
52102	23001	Face Plate for 52103.....
52103	-----	Face Plate complete, Nos. 52053, 52102, 52170 and two 226J.....
52104	23002	Knife Bar with 2301, for 52107.....
52107	-----	Knife Bar complete, Nos. 621J, 24109, 24906, 52104, 52108 and three 50117E.....
52108	23002	Knife Holder with 620C, 2291 and two 223J, for 52107.....
52111	23003	Needle Bar Bushing (upper).....
52115	23003	Slack Thread Regulator.....
52118	-----	Feed Regulator 52074 with 52073.....
52130	23003	Thread Take-up Lever Thread Eyelet Bushing for 52022.....
52131	-----	Throat Plate Cutting Bar for 127040....

No.	Plate	Name
52165	23000	Feed Connecting Link for 52393.....
52170	23001	Face Plate Thread Guard (upper) for 52103.....
52176	23000	Balance Wheel (power, disc) 3 3/16 in. pulley with two 440C.....
52180	22999	Arm Oil Tube (long) with 52184, for oil- ing 52022.....
52182	22999	Arm Oil Tube with 52184, for oiling 127231.....
52183	22999	Arm Oil Tube with 52184, for oiling 52024 and 127156, for 127193 and 150460.....
52184	22999	Arm Oil Tube Packing (wick) for 52180, 52182 and 52183.....
52184	22999	Oil Tube Packing (wick) for 127191.....
52185	22999	Arm Oil Tube (short) with 42367, for oiling 52022.....
52193	23000	Arm Shaft (horizontal) Flanged Bushing (back) Oil Pad (inside) braided cot- ton for 52260.....
52193	23000	Arm Shaft (horizontal) Flanged Bushing (front) Oil Pad (inside) braided cotton for 52196.....
52193	23000	Arm Shaft (horizontal) Intermediate Bushing Oil Pad (inside) braided cotton for 52262.....
52196	23000	Arm Shaft (horizontal) Flanged Bushing (front) with 52193 and 52198, for 127278.....
52198	23000	Arm Shaft (horizontal) Flanged Bushing (front) Oil Pad (outside) felt for 52196.....
52207	23003	Needle Bar Connecting Link Lubricating Pad (wood) for 127231.....
52210	-----	Feed and Feed Lifting Eccentric Lubri- cating Pad (long) wood for 127224...
52211	-----	Feed and Feed Lifting Eccentric Lubri- cating Pad (short) wood for 127224..
52235	23003	Rotating Hook Bobbin Case for 52336.....
52236	-----	" " " " 52235 with 591F, 1380E and 40394, for 52337.....
52237	23003	Rotating Hook Bobbin Case complete for 127240 and 127241, Nos. 592E, 2975, 40393 and 52236.....
52239	22999	Arm Spool Pin and Thread Eyelet for 127193.....
52239	22247	Bobbin Winder Tension Bracket Spool Pin and Thread Eyelet for 150460.....
52254	22999	Arm Oil Tube for oiling 52262.....
52260	23000	▪ Shaft (horizontal) Flanged Bushing (back) with 52193 and 52289.....

No.	Plate	Name
52262	23000	Arm Shaft (horizontal) Intermediate Bushing with 52193 and 52263.....
52263	23000	Arm Shaft (horizontal) Intermediate Bushing Oil Pad (outside) felt for 52262.....
52265	23004	Feed Lifting Rock Shaft Crank with 157J and 52267, for 127269.....
52267	23004	Feed Lifting Rock Shaft Crank Slide Block for 52265.....
52276	23000	Arm Shaft (upright) Bushing (lower) with 52279 and 52280.....
52278	23000	Arm Shaft (upright) Bushing (upper) with 52279 and 52280.....
52279	23000	Arm Shaft (upright) Bushing Oil Wick (inside) braided cotton for 52276 and 52278.....
52279	23004	Rotating Hook Shaft Bushing Oil Wick (inside) braided cotton for 52286 and 52288.....
52280	23000	Arm Shaft (upright) Bushing Oil Pad (outside) felt for 52276 and 52278..
52280	23004	Rotating Hook Shaft Bushing Oil Pad (outside) felt for 52286 and 52288..
52281	23000	Arm Shaft (upright) Bevel Gear (lower) with two 1259C.....
52282	23000	Arm Shaft (upright) Bevel Gear (upper) with two 1259C.....
52286	23004	Rotating Hook Shaft Bushing (back) with 52279 and 52280.....
52288	23004	Rotating Hook Shaft Bushing (front) with 52279 and 52280.....
52289	23000	Arm Shaft (horizontal) Flanged Bushing (back) Oil Pad (outside) felt for 52260.....
52290	22999	Arm Oil Tube Plug.....
52338	23003	Presser Bar Guide Bracket with 223C and 453C.....
52359	23000	Feed Regulator Thumb Screw Stop.....
52384	23004	" Lifting Rock Shaft for 127269.....
52386	23004	" Rock Shaft for 52387.....
52387	-----	Feed Rock Shaft complete, Nos. 29633 and 52386
52393	-----	Feed Forked Connection 20284 with 375C, 1516J and 52165
52394	23001	Thread Take-up Spring for 52397
52397	23001	Tension complete, Nos. 2103,32572,32574, 52083, 52098, 52394 and two 2102
52452	23004	Feed Bar
52454	23001	Thread Retainer
54897	22999	Arm Shaft (horizontal) Back Bearing Oil Cup

No.	Plate	Name
56015	22999	Arm Oil Tube for oiling 142006, for 127276.....
56813	-----	Feed Bar Screw Center 313C with 1519J...
56648	-----	Bell Crank 5596 with 5599 and 5601, for 5598.....
56864	22909	Chain Hook (large) for 5670.....
56865	22909	" " (small) for 5670.....
60456	-----	Bobbin Winder, Nos. 152F, 207D, 1429D, 1550H, 41339 to 41346 and three 1430D, for 41347.....
*60583	-----	Knife Grinder, Nos. 261J, 27323, 27564, 27572, 27573, 27659, 60934, two 27568 and four each 310K and 1516J, for 126306.....
60845	22247	Bobbin Winder, Nos. 7958, 34105, 41583, 41585 to 41588, 41913, 41914 and 42614, for 41915.....
60934	-----	Knife Grinder Emery Wheel Shaft 27567 with 1508J, 27565, 27569 and 27822, for 60583.....
68350	22999	Arm Shaft (horizontal) Front Bearing Oil Cup.....
120342	22906	Oiler (copper plated) with 120343 (Accessories).....
120343	22906	Oiler Spout, 3 1/2 in. long for 120342..
121356	22999	Finger Guard.....
121587	22981	Grease Gun (3 oz. capacity) for Fitting No. 142005 (Accessories).....
121588	22981	Grease Gun (1/2 lb. capacity) for Fitting No. 142005 (Accessories).....
125320	23003	Rotating Hook Bobbin Case Latch Lever for 40393.....
126304	23005	Knife Grinder Knife Holder Body for 126305.....
126305	23005	Knife Grinder Knife Holder complete for 126306, Nos. 899J, 27660 and 126304..
126306	23005	Knife Grinder complete for 127026 and 127027, Nos. 27662, 60583, 126305 and three wood screws 1 in. No. 10.....
127025	23001	Feed Dog, 9 teeth (12 teeth to the inch) for 127036 and 127040.....
127026	-----	Knife (narrow).....
127027	23002	" (wide).....
127028	23002	" Bar Driving Crank (forked) for 127029.....
127029	23002	Knife Bar Driving Crank Bracket complete, Nos. 2022, 16564, 24432 and 127028..
127032	23000	Needle Bar Crank (eccentric) Sleeve for 127278.....
127033	23003	Presser Foot for 1/16 in. to 11/64 in. gauges.....

No.	Plate	Name
127034	23003	Presser Foot for 3/16 in. gauge and above.....
127035	23001	Throat Plate Slide for 127036 and 127040
127036	23001	Throat Plate (small needle hole) complete for 127025, Nos. 5729, 127035, 142032 and three 578D.....
127037	-----	Foot Lifter complete, Nos. 76D, 766D, 802D, 1521J, 4880, 4885, 5598, 5670, 12241, 12416, 16586, 20340, 24940 and two 178E
127038	-----	Knee Lifter complete (power table) Nos. 76D, 766D, 802D, 1521J, 5598, 12241, 12250, 12416, 16586, 20340, 24940 and two 178E.....
127040	-----	Throat Plate (large needle hole) complete for 127025, Nos. 5729, 52131, 127035 and three 578D.....
127072	23000	Arm Shaft (horizontal) Bevel Gear with two 1036C.....
127073	23004	Rotating Hook Shaft Bevel Gear with two 1259C.....
127079	22999	Arm Side Cover.....
127091	22999	Oil Tube Bracket for 127092.....
127092	22999	" " " 127091 with 127191, for oiling 52165.....
127095	23003	Rotating Hook with three 1253C, for 127096.....
127096	23003	Rotating Hook 127095 with 127102 and four 1053E, for 127097 and 127239...
127097	-----	Rotating Hook 127096 with 40274 and three 1367E (For agents only).....
127102	23003	Rotating Hook Thread Guard for 127096...
127108	23003	Presser Bar Spring.....
127135	23003	Needle Bar (hollow) with 140239H, for 127137.....
127136	23003	Needle Bar Thread Guide for 127137.....
127137	-----	" " 127135 with 127136.....
127152	23000	Feed and Feed Lifting Eccentric Sleeve for 127226.....
127156	23000	Feed Lifting Rock Shaft Connecting Rod with two 966E.....
127187	22999	Arm Oil Tube (bent) with 42367, for oiling 127152, for 127193 and 150460...
127191	22999	Oil Tube with 52184, for 127092.....
127192	22999	Arm Top Cover for 127193.....
127193	-----	" " " 127192 with 52183, 52239, 127187 and 127255.....
127223	23000	Needle Bar Crank (eccentric) with 1036C, 1037C and 1065C, for 127278.....
127224	23000	Feed and Feed Lifting Eccentric with 446C, 52210 and 52211, for 127226...

No.	Plate	Name
127226	-----	Feed and Feed Lifting Eccentric 127224 with 127152.....
127231	23003	Needle Bar Connecting Link with 52207, for 127232.....
127232	-----	Needle Bar Connecting Link 127231 with 24041, for 127281.....
*127239	-----	Rotating Hook 127096 with 40274, 127242 and three 1367E, for 127240.....
127240	23003	Rotating Hook 127239 with 52237.....
127241	-----	" " Bobbin Case 52237 with 127242.....
127242	23003	Rotating Hook Bobbin Case Holder for 127239 and 127241.....
127255	22999	Arm Top Cover Positioning Disc for 127193 and 150460.....
127269	-----	Feed Lifting Rock Shaft complete, Nos. 52265 and 52304.....
*127270	-----	Bed.....
*127276	-----	Arm with 15404 and two each 15405 and 56015.....
127277	23000	Arm Shaft (horizontal) for 127278.....
127278	-----	" " " 127277 with 52196, 127032 and 127223.....
127279	23003	Needle Bar Bushing (lower).....
127280	-----	Thread Take-up complete, Nos. 11204, 52025 and 127281.....
127281	-----	Thread Take-up Crank 52021 with 775E and 127232, for 127280.....
127292	23004	Rotating Hook Shaft.....
140184E	23000	Arm Shaft (horizontal) Bevel Gear Case Plug Screw for 142003.....
140184E	23004	Rotating Hook Shaft Bevel Gear Case Plug Screw for 142004.....
140219C	22909	Rock Shaft Stop Dog Set Screw for 2770..
140239H	23003	Needle Set Screw for 127135.....
142003	23000	Arm Shaft (horizontal) Bevel Gear Case (two pieces) with 51068R, 140184E and 142005.....
142004	23004	Rotating Hook Shaft Bevel Gear Case (two pieces) with 51068R, 140184E and 142005.....
142005	23000	Arm Shaft (horizontal) Bevel Gear Case Alemite Fitting for 142003.....
142005	23004	Rotating Hook Shaft Bevel Gear Case Alemite Fitting for 142004.....
142006	23000	Arm Shaft (upright).....
142008	23004	Rotating Hook Shaft Bushing (front) Oil Cup.....
142032	23001	Throat Plate Cutting Bar for 127036.....
150203	22248	Thread Unwinder Spool Rest Cushion (felt) for 225258.....

No.	Plate	Name
150459	22247	Bobbin Winder Tension Bracket with 460C, for 150460.....
150460	22247	Bobbin Winder Tension Bracket complete for 150461, Nos. 41593 to 41595, 52183, 52239, 127187, 127255, 150459 and two 2455.....
150461	22247	Bobbin Winder (swinging automatic, left hand) complete, Nos. 41915 and 150460
200056E	22908	Bobbin Winder Stop Latch Screw for 225382.....
200082D	22908	Bobbin Winder Tension Bracket Screw for 225382.....
200299H	22908	Bobbin Winder Stop Latch Trip Lever Hinge Screw for 225382.....
200380C	22908	Bobbin Winder Pulley Set Screw for 202473.....
200383C	22248	Thread Unwinder Spool Rest Rod Set Screw for 202490.....
201018C	22248	Thread Unwinder Spool Rest Set Screw for 225257.....
201499B	22908	Bobbin Winder Tension Stud for 225461...
201572B	22908	" " " " Thumb Nut for 225462.....
201696J	22248	Thread Unwinder Thread Guide Lock Nut for 225258.....
202277	22908	Bobbin Winder Frame Oil Packing (wick) for 225453.....
202407	22908	Bobbin Winder Tension Spring for 225462.
202473	22908	" " Pulley with 200380C, for 225382.....
202478	22908	Bobbin Winder Stop Latch Trip Lever for 225382.....
202490	22248	Thread Unwinder Spool Stand with 200383C, for 225258.....
225257	22248	Thread Unwinder Spool Rest with 201018C, for 225258.....
225258	22248	Thread Unwinder complete, for two spools or two large cones of thread, Nos. 201696J, 202490, 225257, 225324, 225326, 225388, two each 150203, 225391 and three wood screws 7/8 in. No. 12....
225322	22248	Thread Unwinder Thread Guide Rod Washer for 225324.....
225324	22248	Thread Unwinder Thread Guide Rod with 208E and 225322, for 225258.....
225326	22248	Thread Unwinder Thread Guide Position Cup for 225258.....
225381	22908	Bobbin Winder Spindle for 225382.....

NUMERICAL LIST OF PARTS

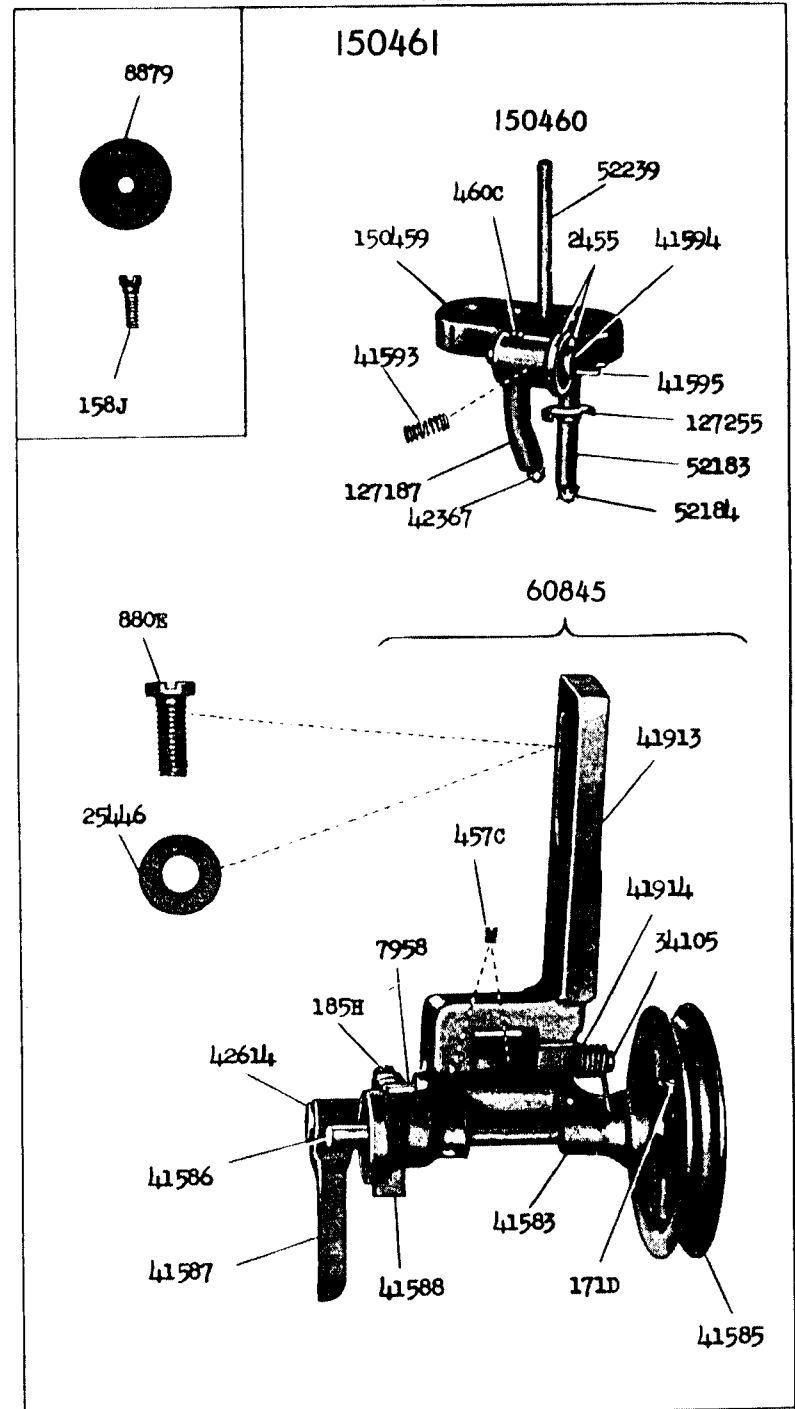
No.	Plate	Name
225382	22908	Bobbin Winder (swinging automatic, right hand) complete, Nos. 200050E, 200082D, 200199H, 202473, 202478, 225381, 225433, 225444, 225453 to 225456, 225458, 225462, 228006 and two each 225459 and wood screws 3/4 In. No. 12 R.H.B.
225388	22248	Thread Unwinder Spool Rest Rod for 225388.....
225390	22248	Thread Unwinder Thread Cone Holder for inverted cones for 225258.....
225391	22248	Thread Unwinder Thread Guide for 225258.
225433	22908	Bobbin Winder and Tension Bracket Base for 225382.....
225438	22908	Bobbin Winder Frame Oil Well Cap for 225453.....
225444	22908	Bobbin Winder Stop Latch for 225382.....
225453	22908	" " Frame with 202277 and 225438, for 225382.....
225454	22908	Bobbin Winder Frame Hinge Pin for 225382
225455	22908	" " " Spring for 225382...
225456	22908	" " " Plunger for 225382.....
225458	22908	Bobbin Winder Stop Latch Thumb Lever for 225382.....
225459	22908	Bobbin Winder Stop Latch Thumb Lever Hinge Stud for 225382.....
225461	22908	Bobbin Winder Tension Bracket with 201499B, for 225462.....
225462	22908	Bobbin Winder Tension Bracket complete for 225382, Nos. 201872B, 202407, 225461 and two 2102.....
228026	22908	Bobbin Winder Tension Bracket Screw Washer for 225382.....

Genuine Singer Needles should be used in Singer Machines.
These Needles and their Containers are marked with the Company's Trade Mark "SIMANCO." 1

Needles in Containers marked "For Singer Machines" are not Singer made needles. 2

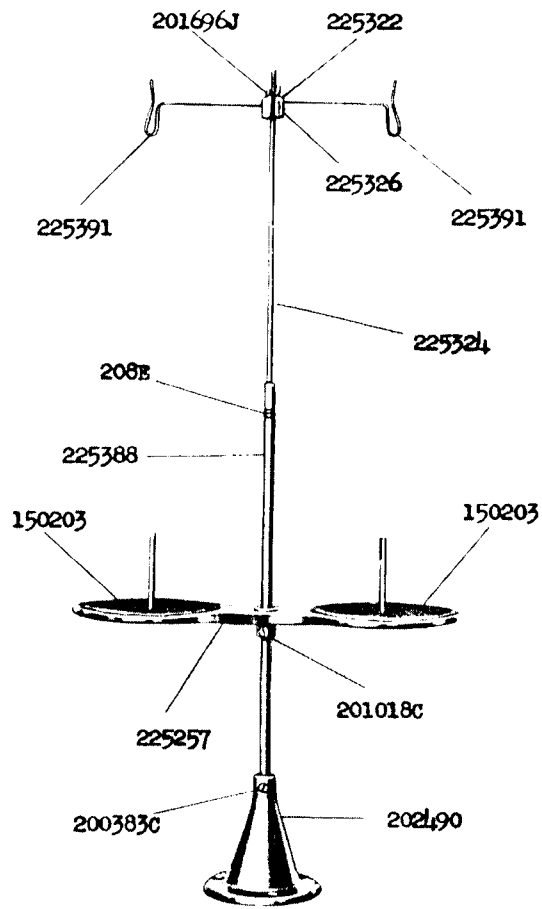
**ILLUSTRATIONS
 OF
 PARTS**

22247 - 1/2



22248 - 1/6

225258



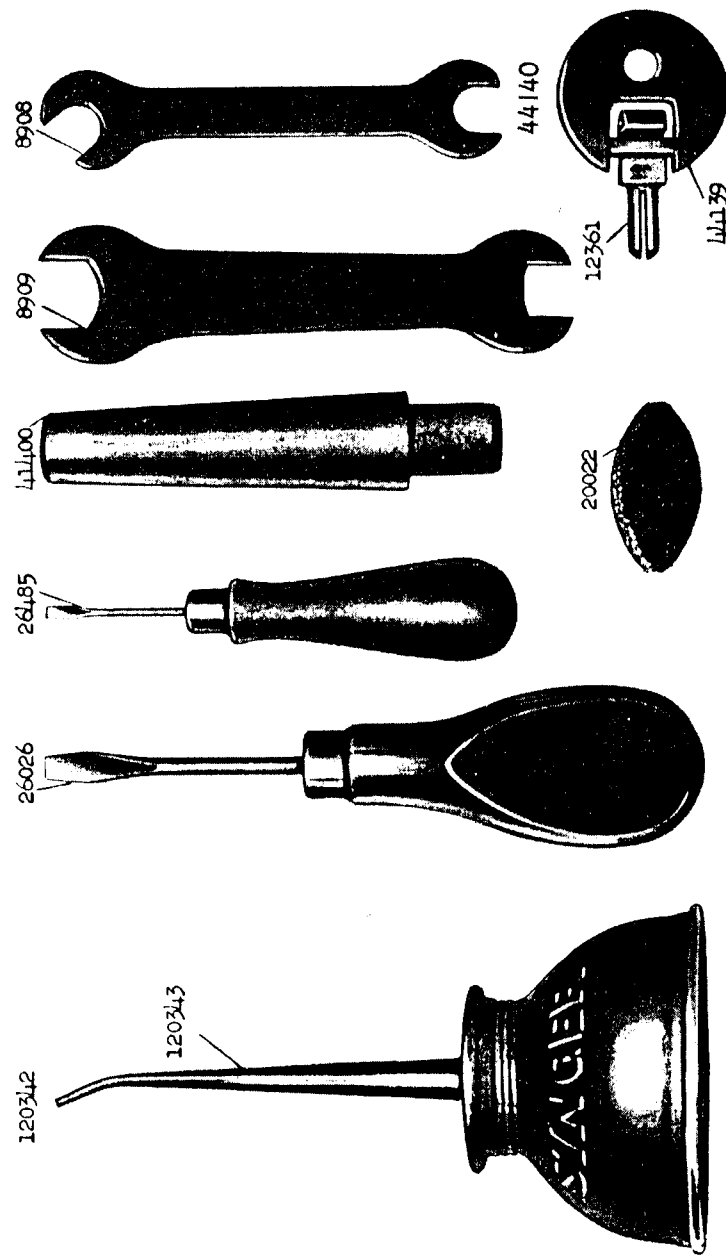
27739



225390

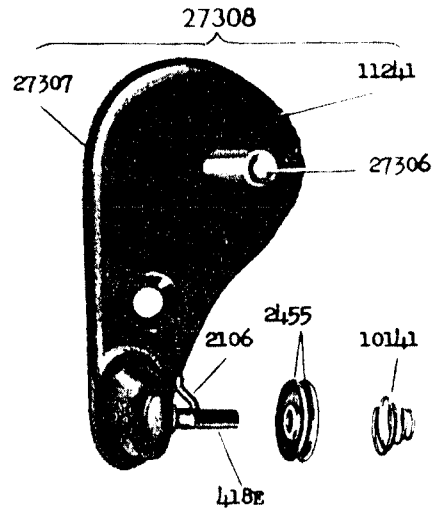


22906 - 1/2

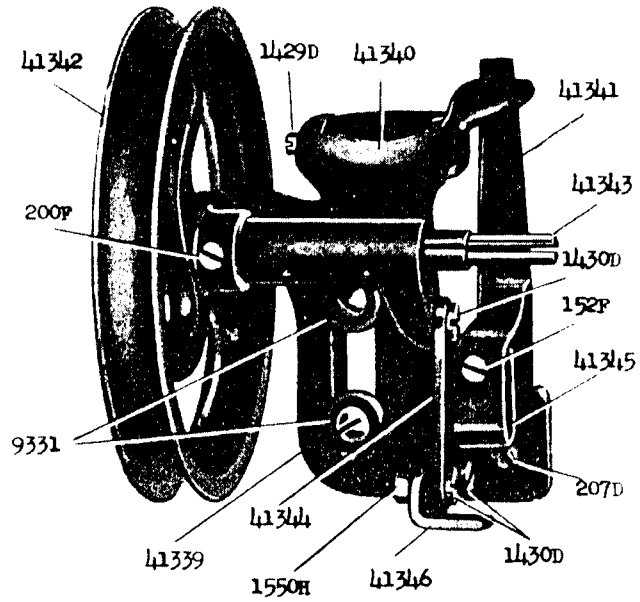


22907 - 2/3

41348

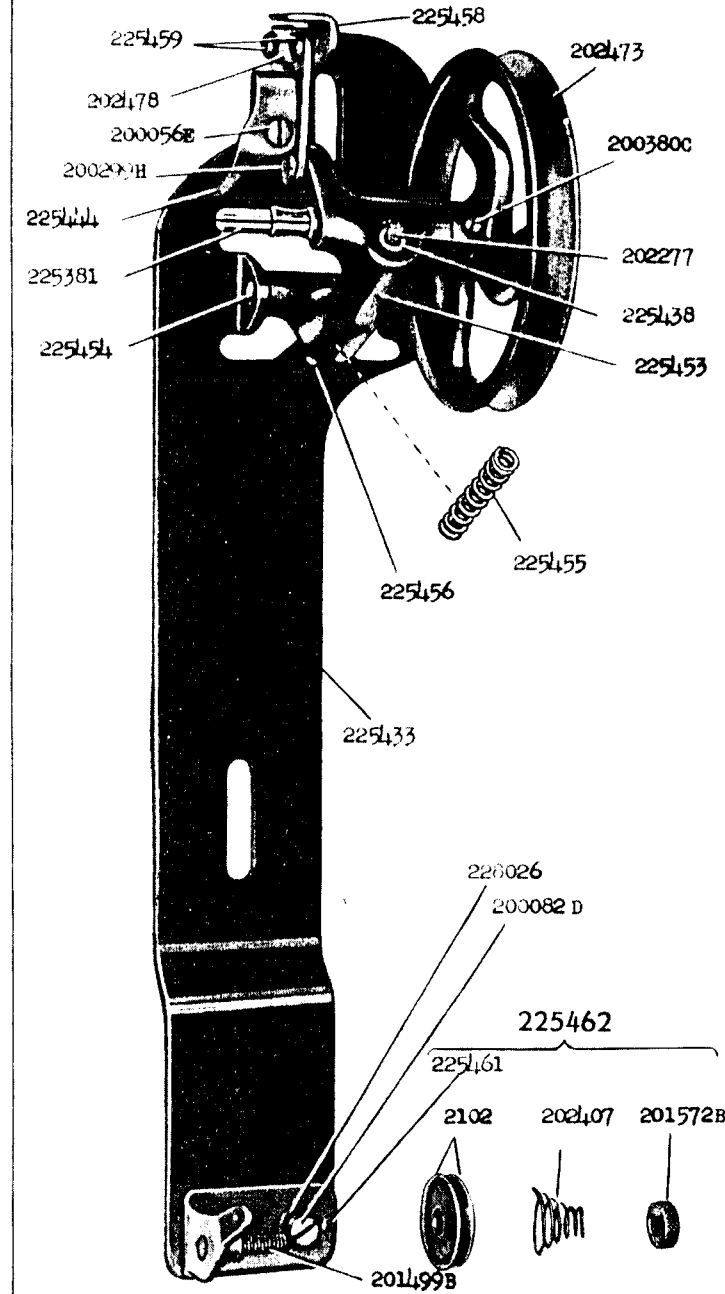


41347

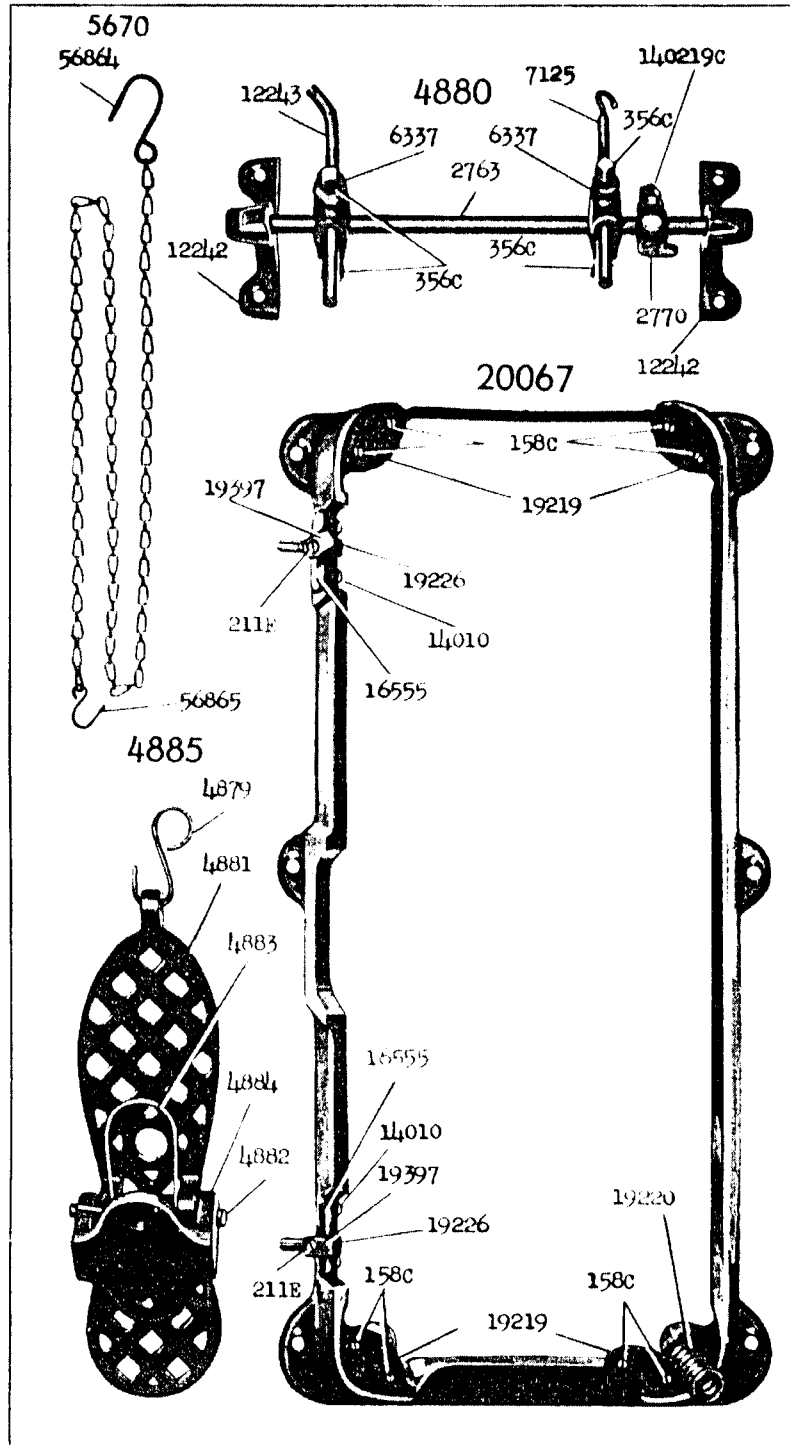


22908 - 2/3

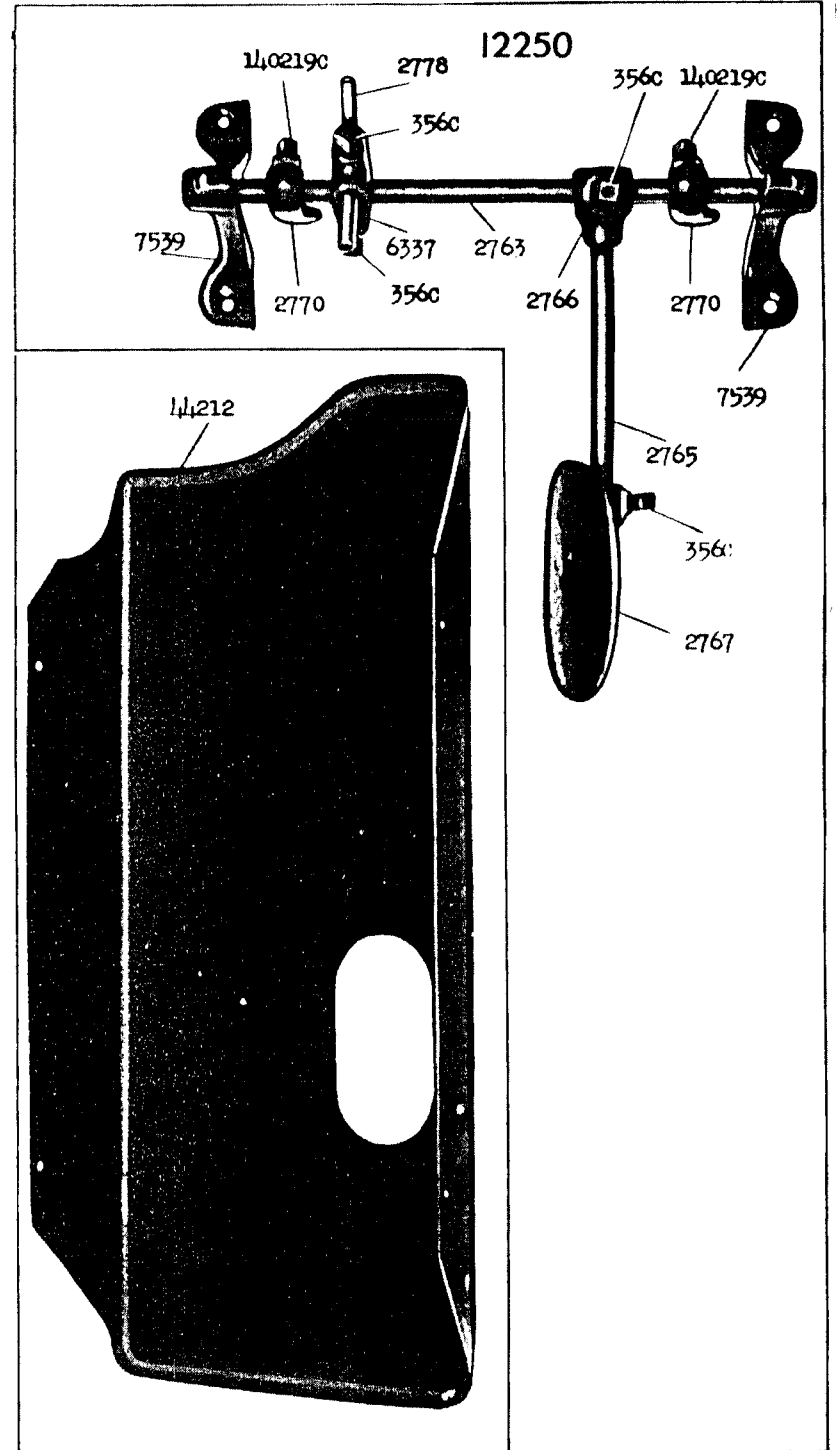
225382



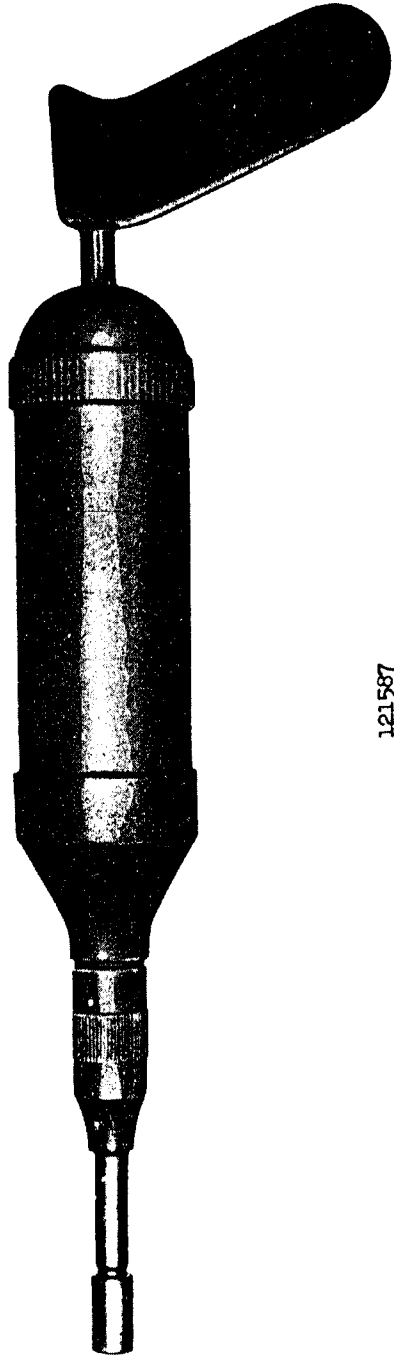
22909 - 1/4



22910 - 1/4



121588

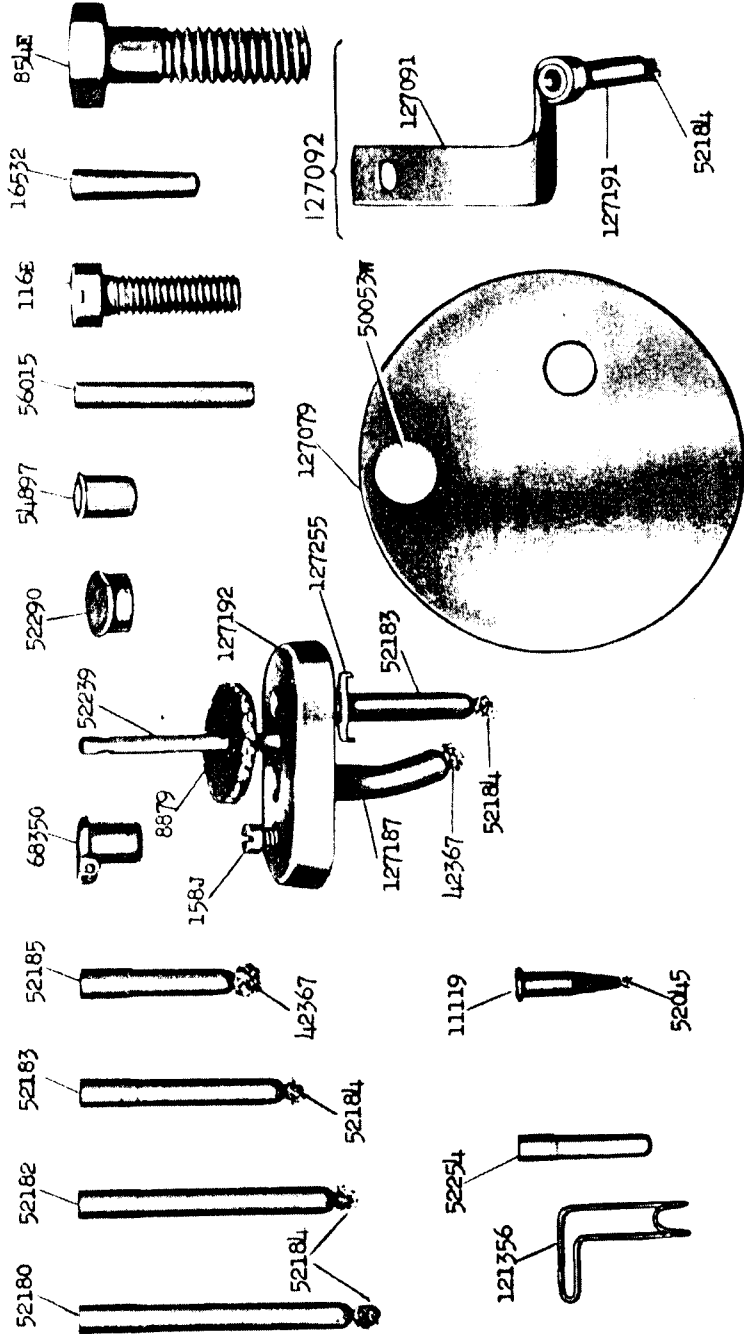


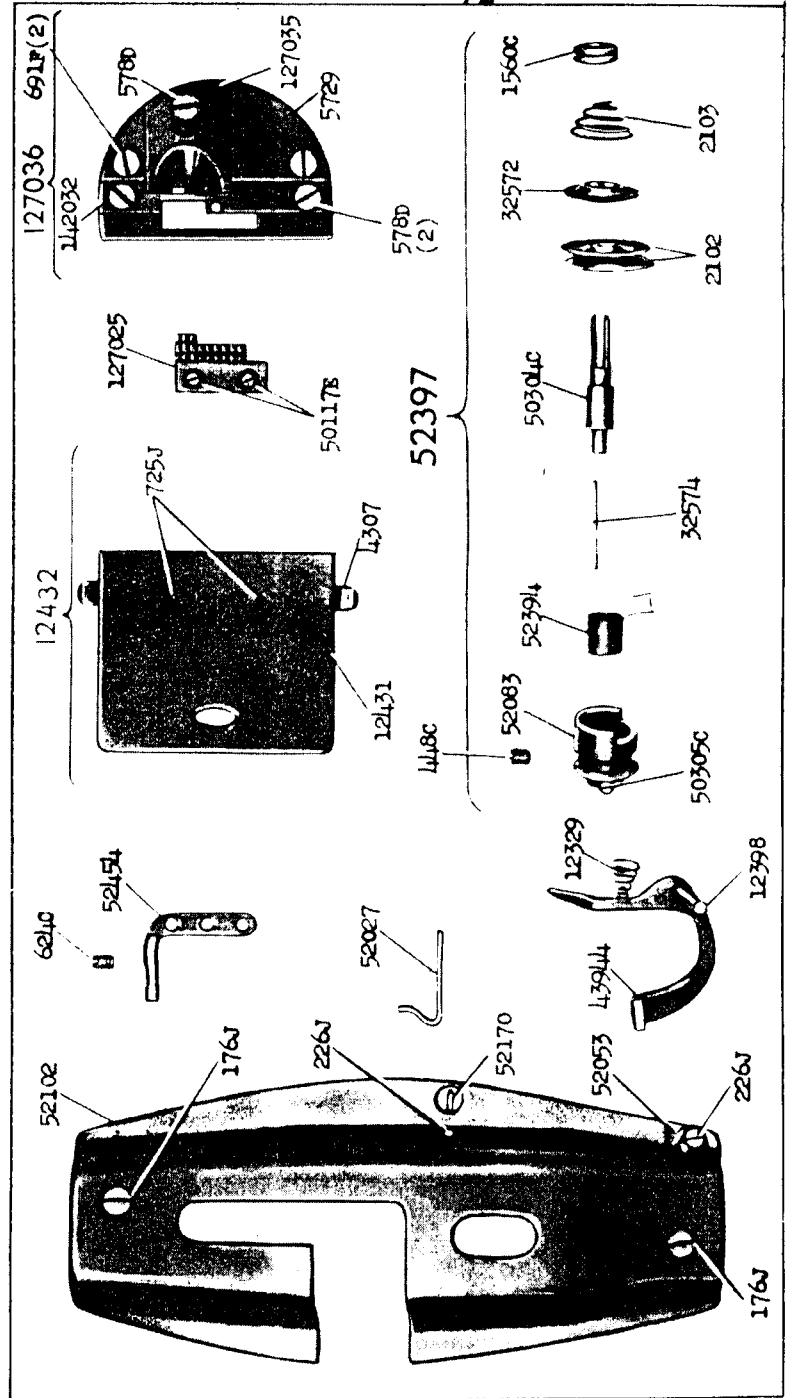
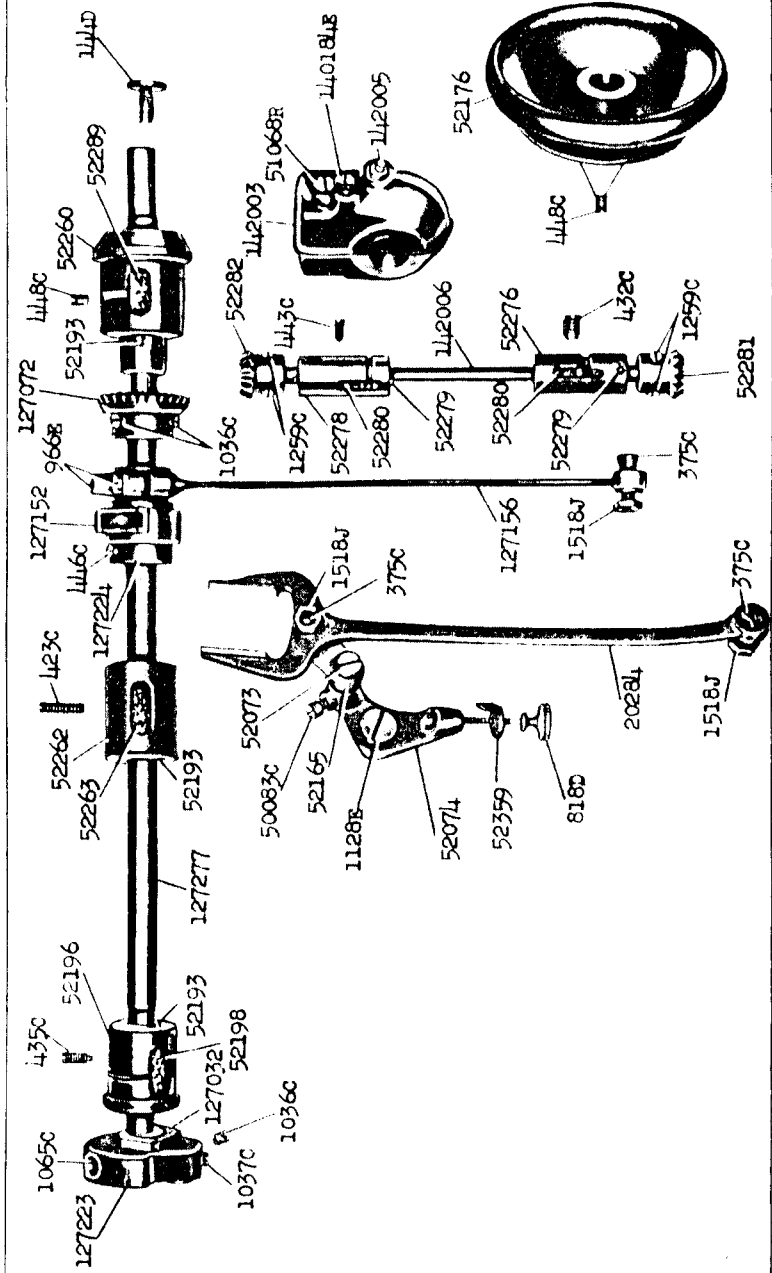
22981 - 1/2

121587

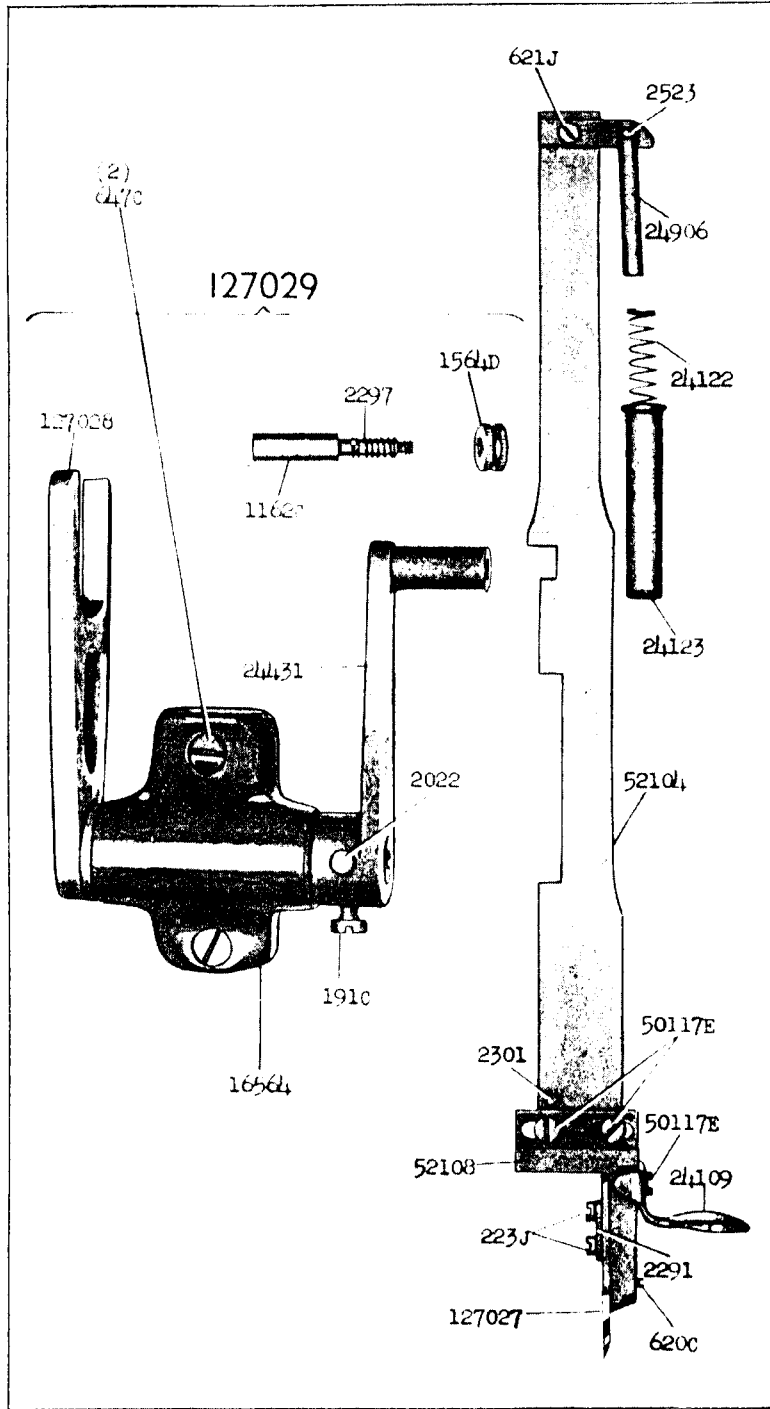


22999 - 2/3

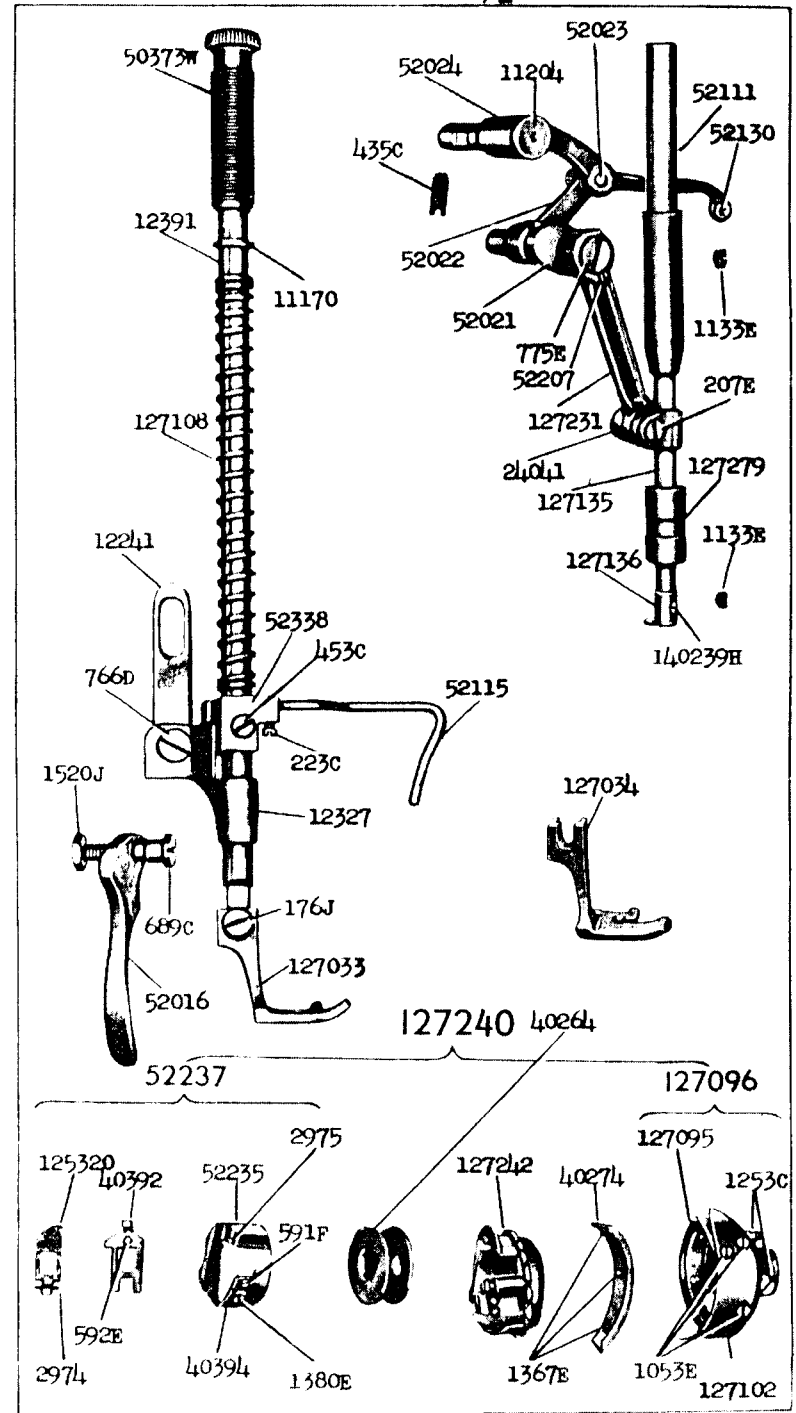




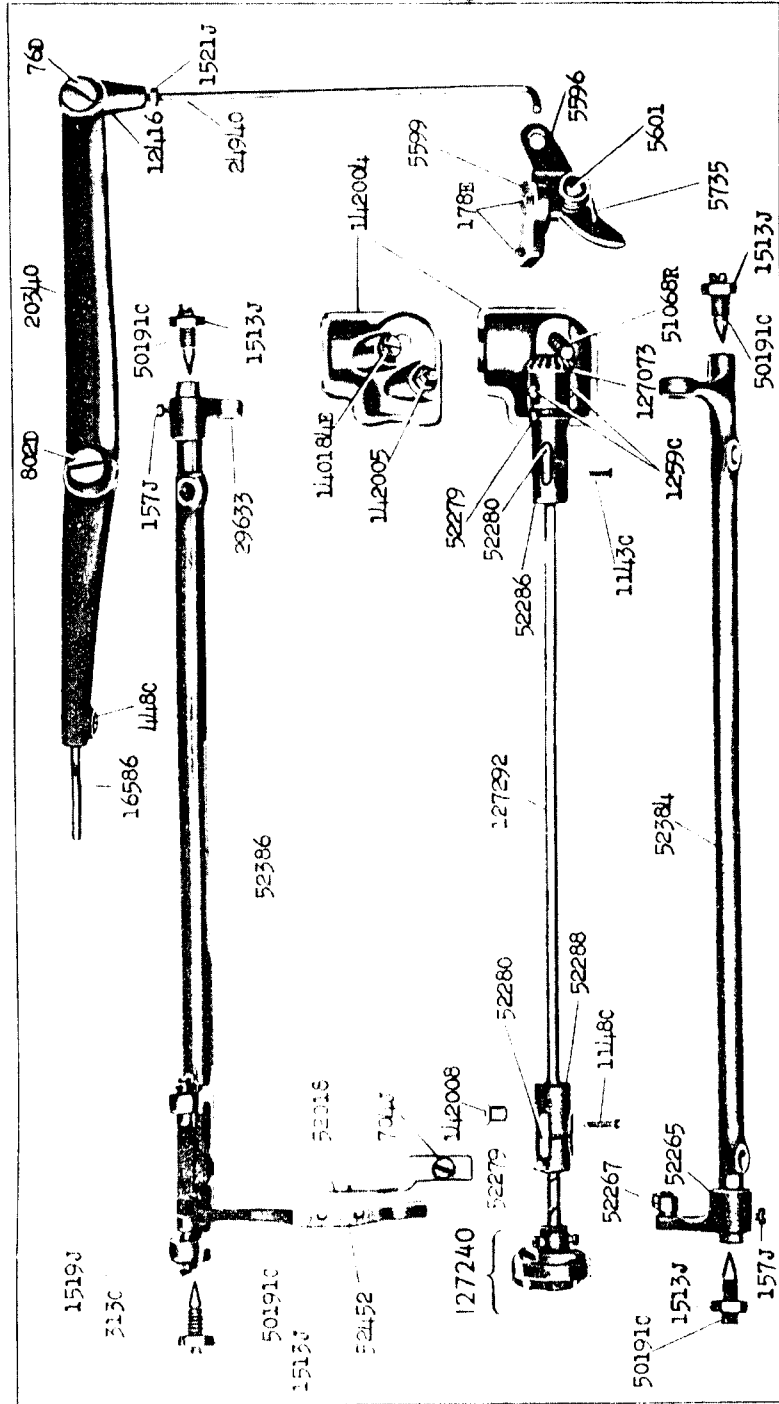
23002 - 2/3



23003 - 1/2



23004 - 1/3



23005 - 1/2

