

Singer 95-100

Form 19330

(539)

PRINTED IN U. S. A.

RECEIVED
HISTORICAL COPY
MAY 25 1939
DO NOT REMOVE
COST DEPT.

SINGER

95-100

HISTORICAL COPY
DO NOT DESTROY
RETURN TO STATIONARY DEPARTMENT

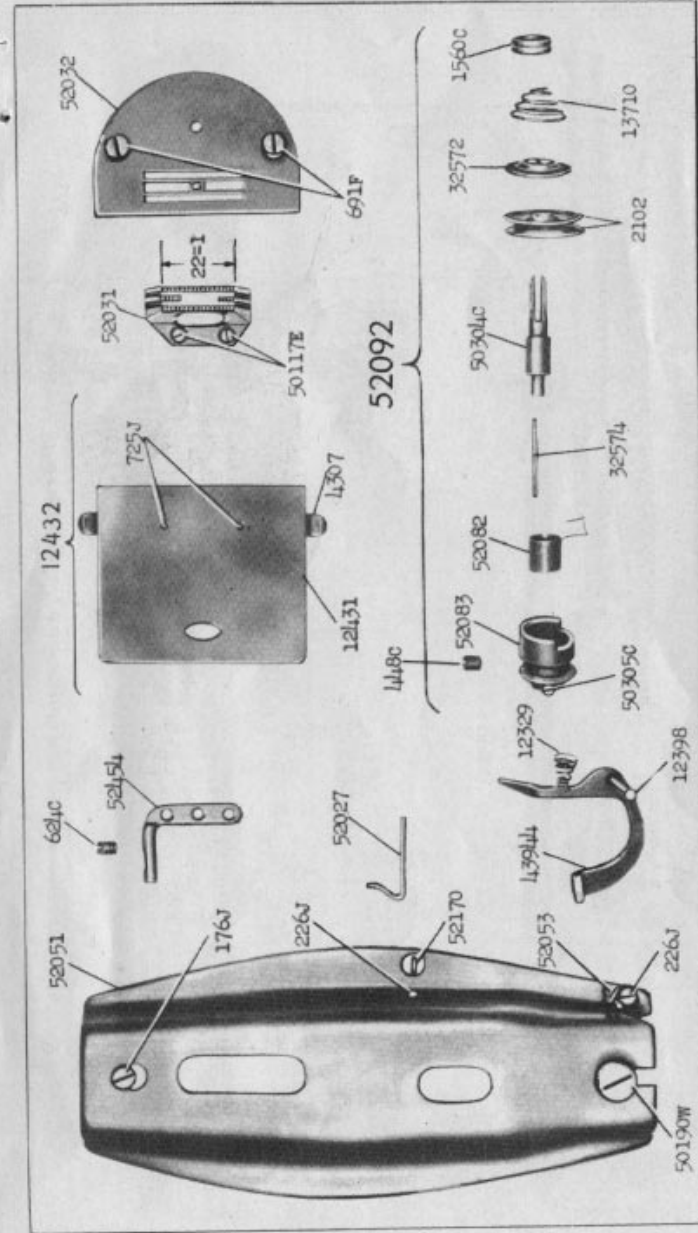


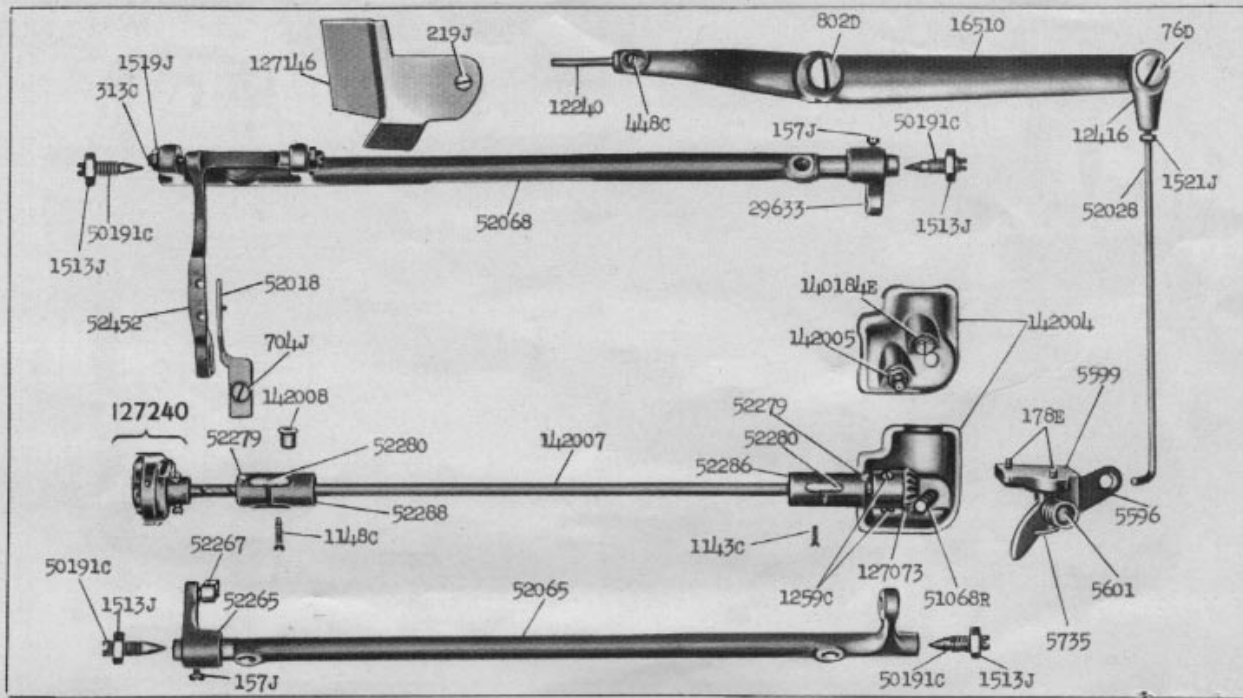
THE SINGER MANUFACTURING COMPANY



Copyright, U. S. A., 1937 and 1939
 by The Singer Manufacturing Co.
 All Rights Reserved for all Countries

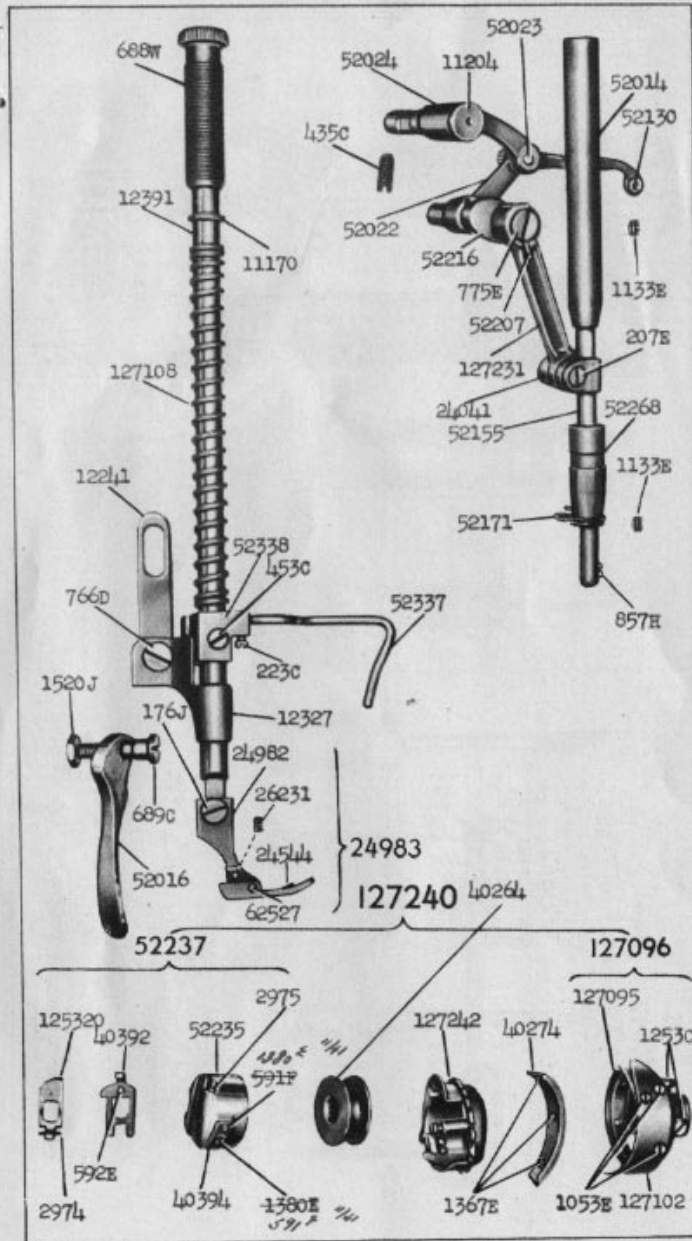
21866 - 1/2

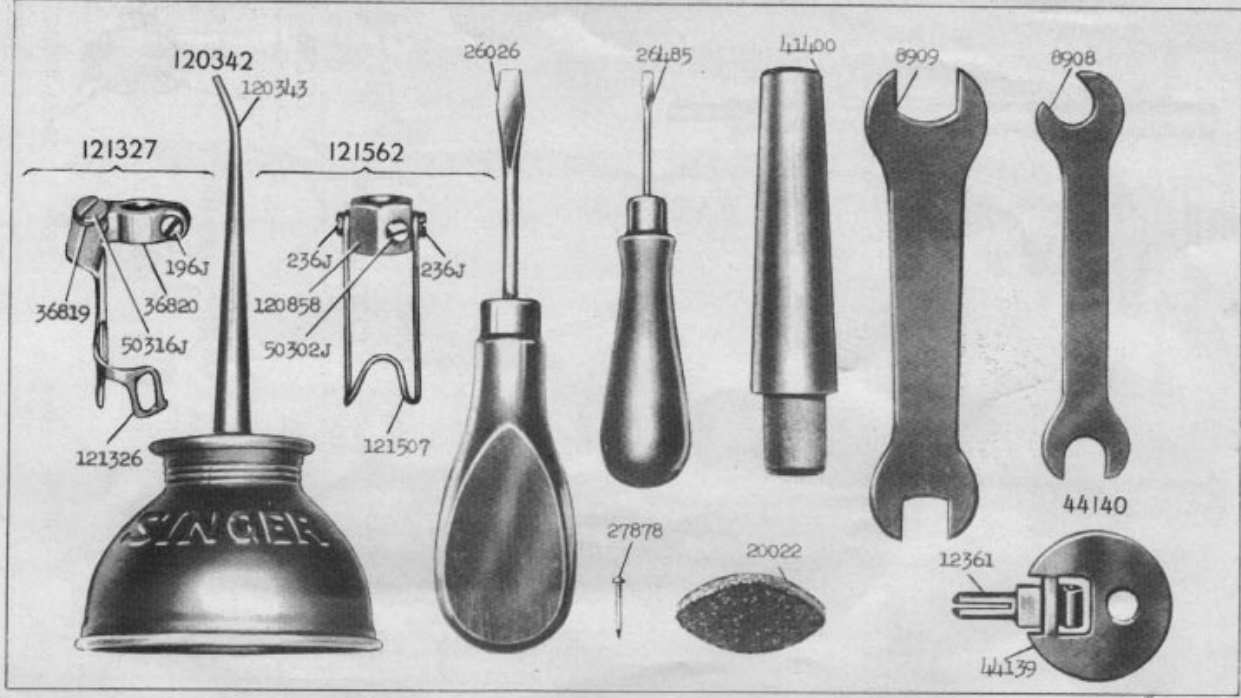




21867 - 1/3

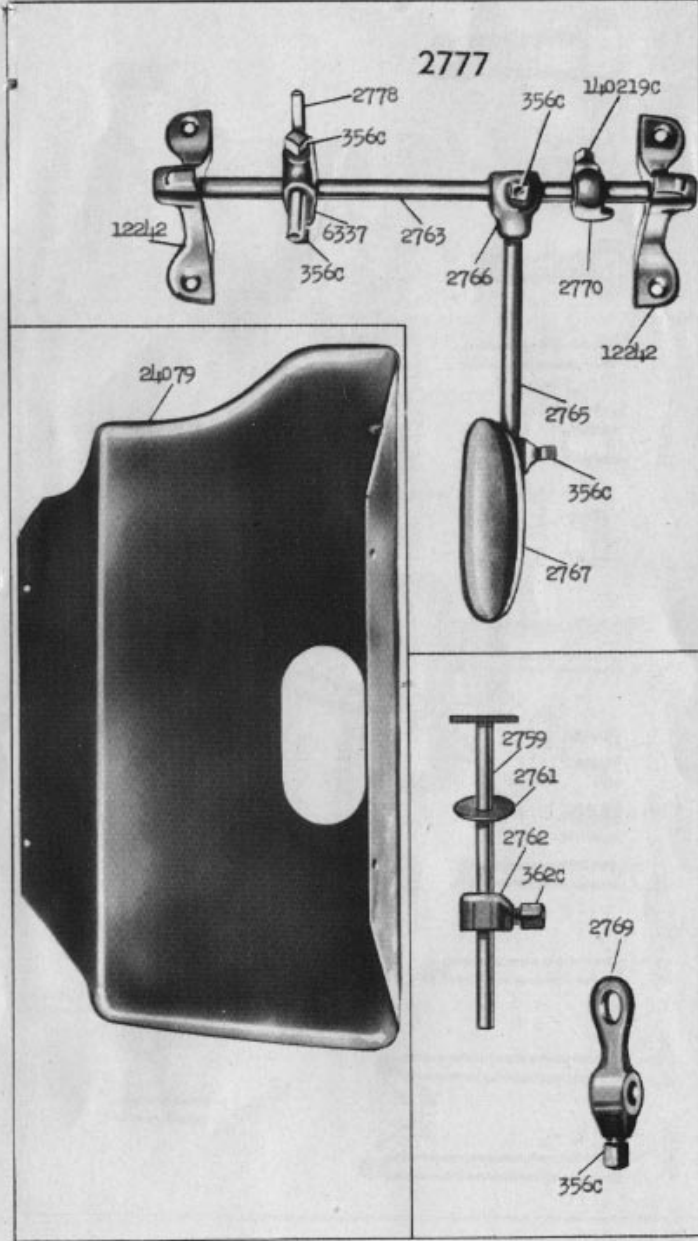
21868 - 1/2

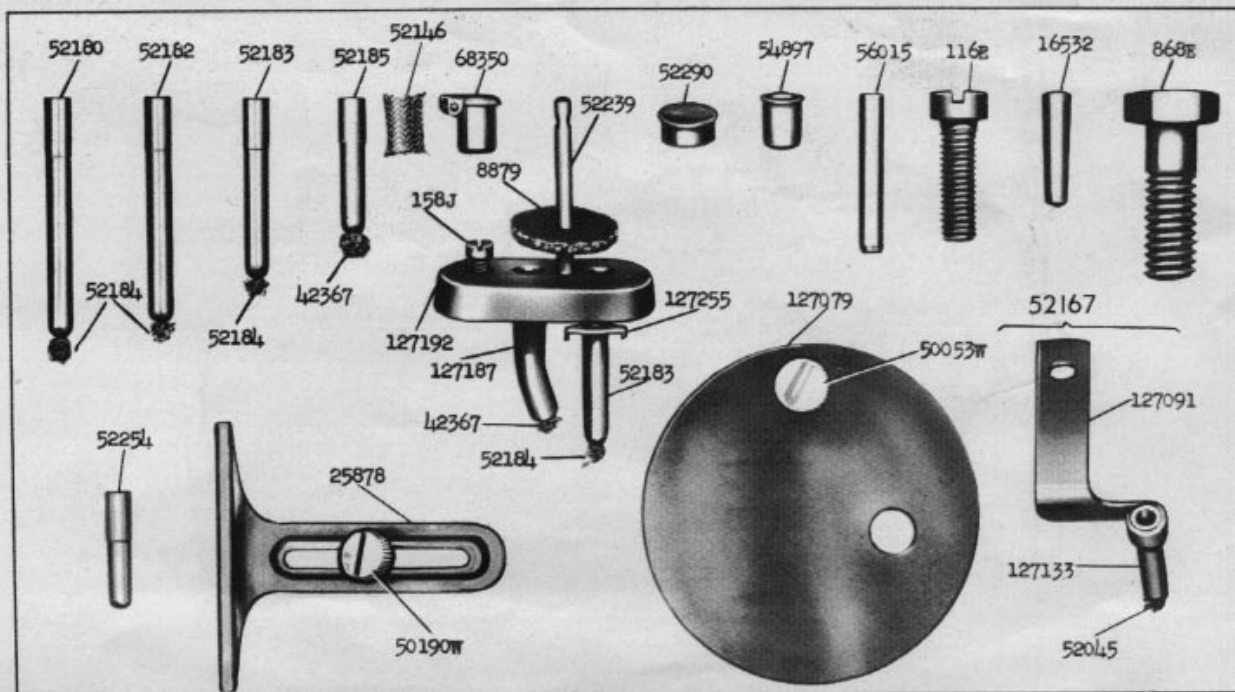




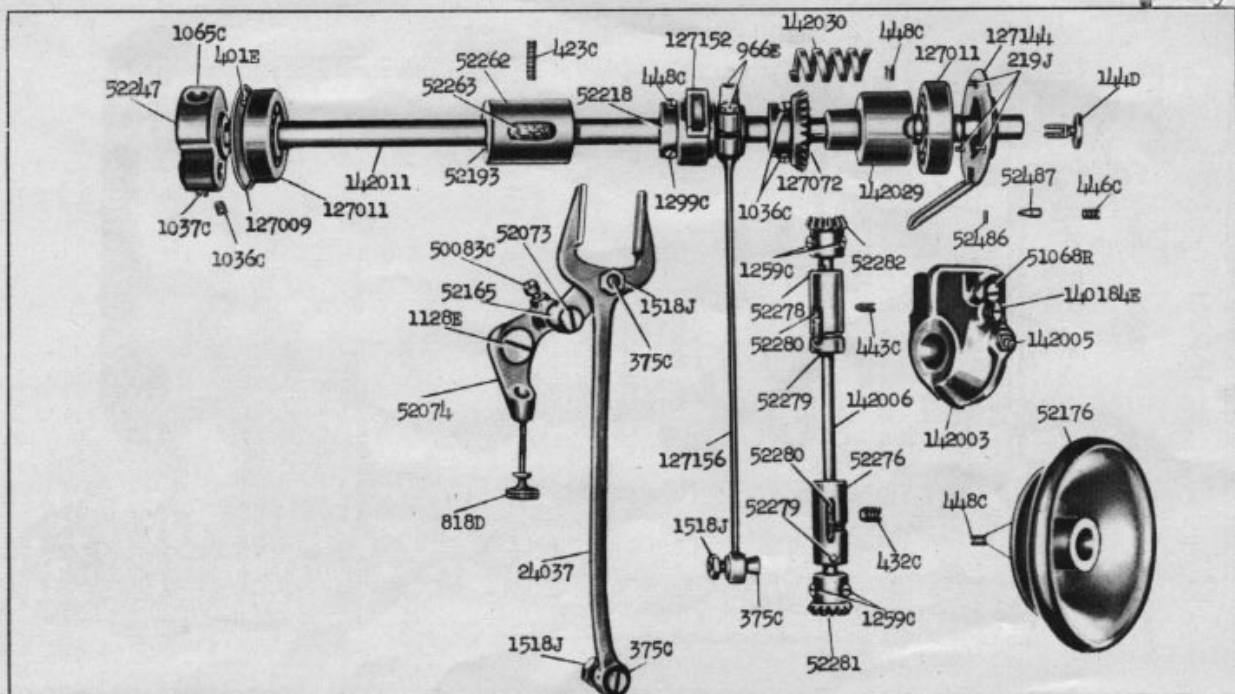
21869 - 1/2

21870 - 1/4



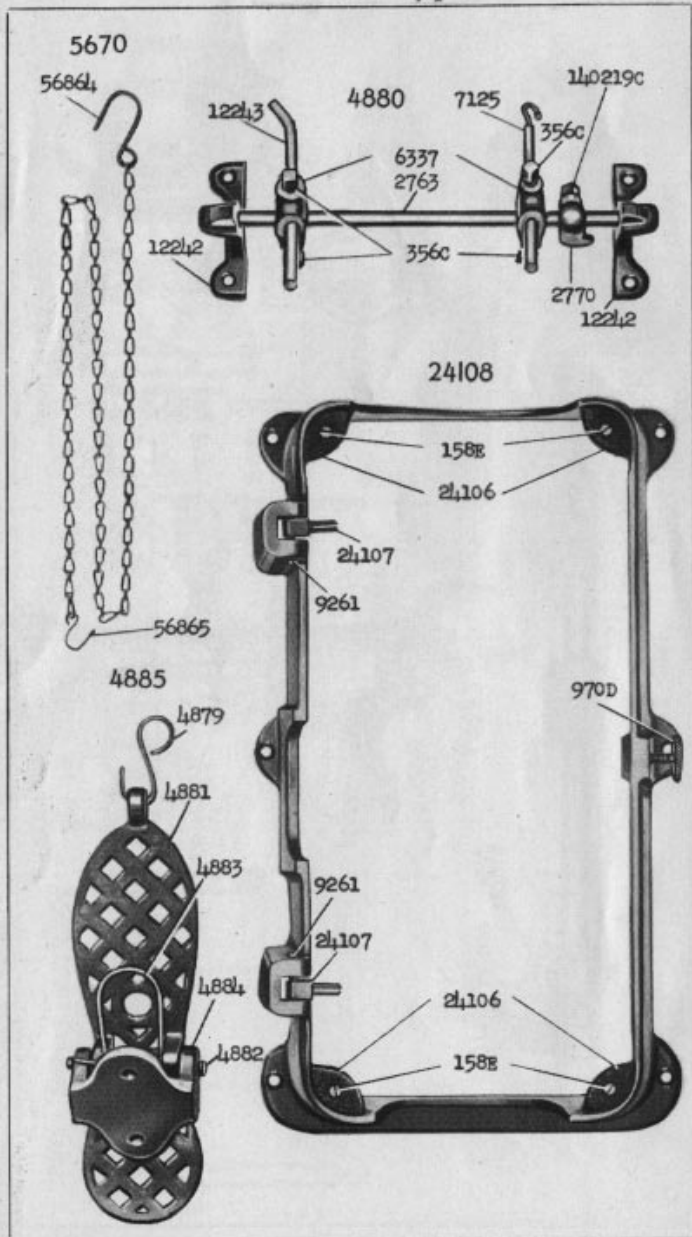


21871 - 2/3

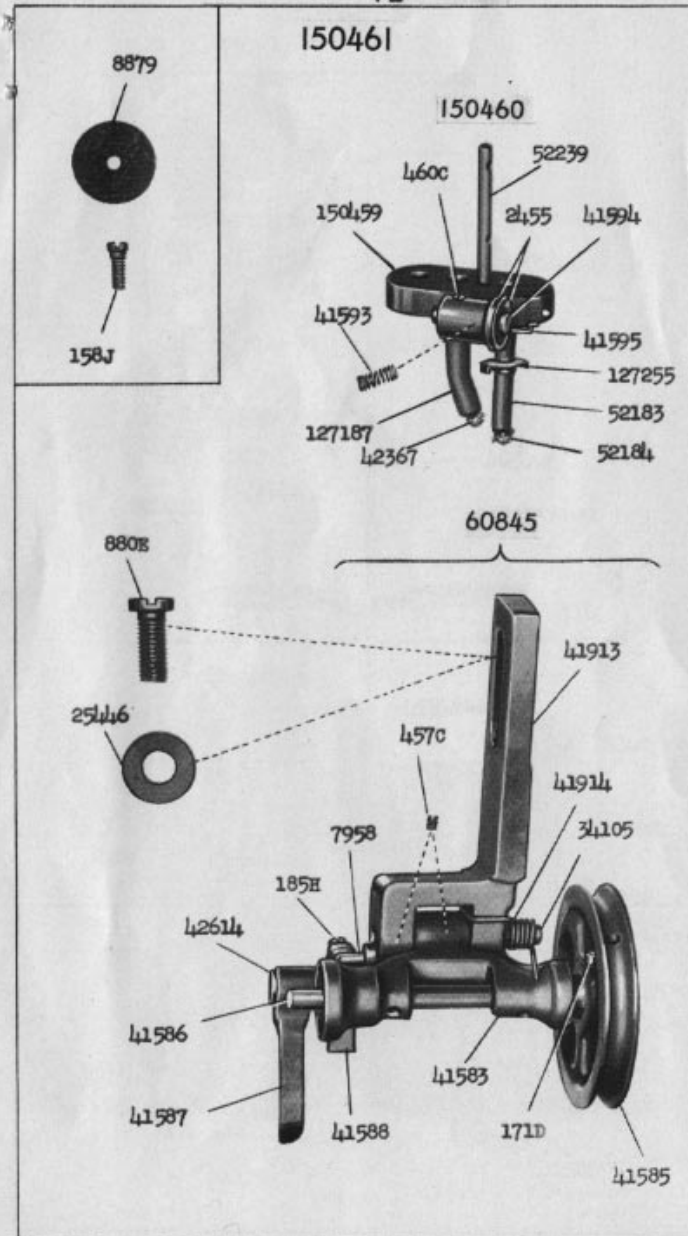


21872 - 1/3

21873 - 1/4

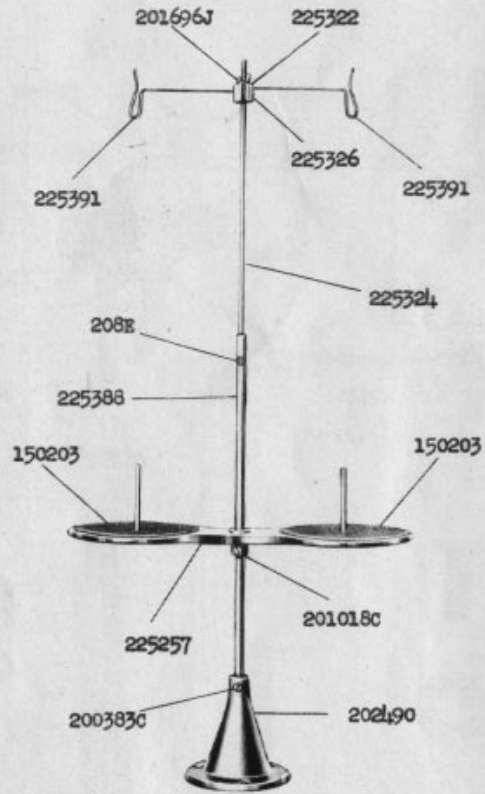


22247 - 1/2



22248 - 1/6

225258



27739

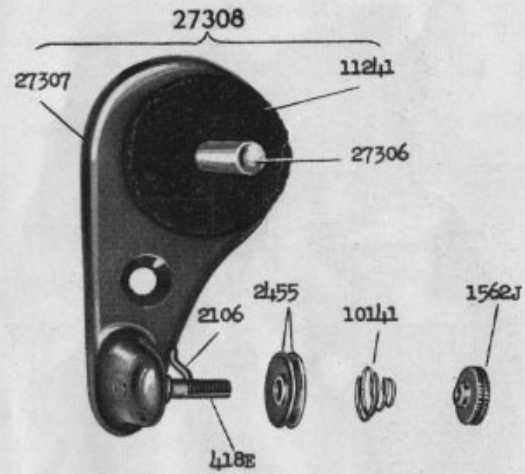


225390

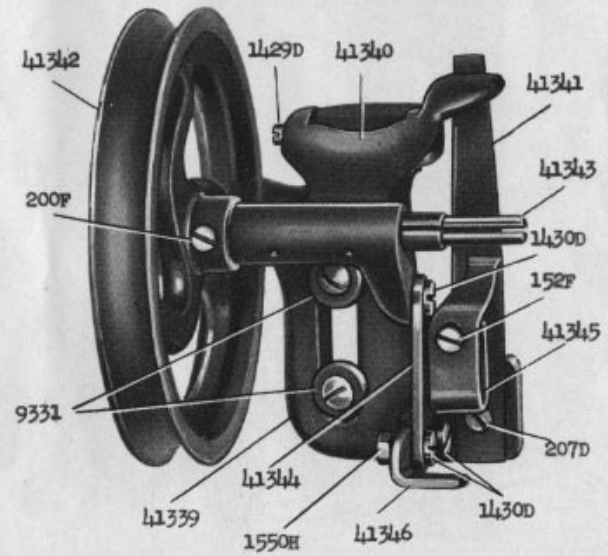


22907 - 2/3

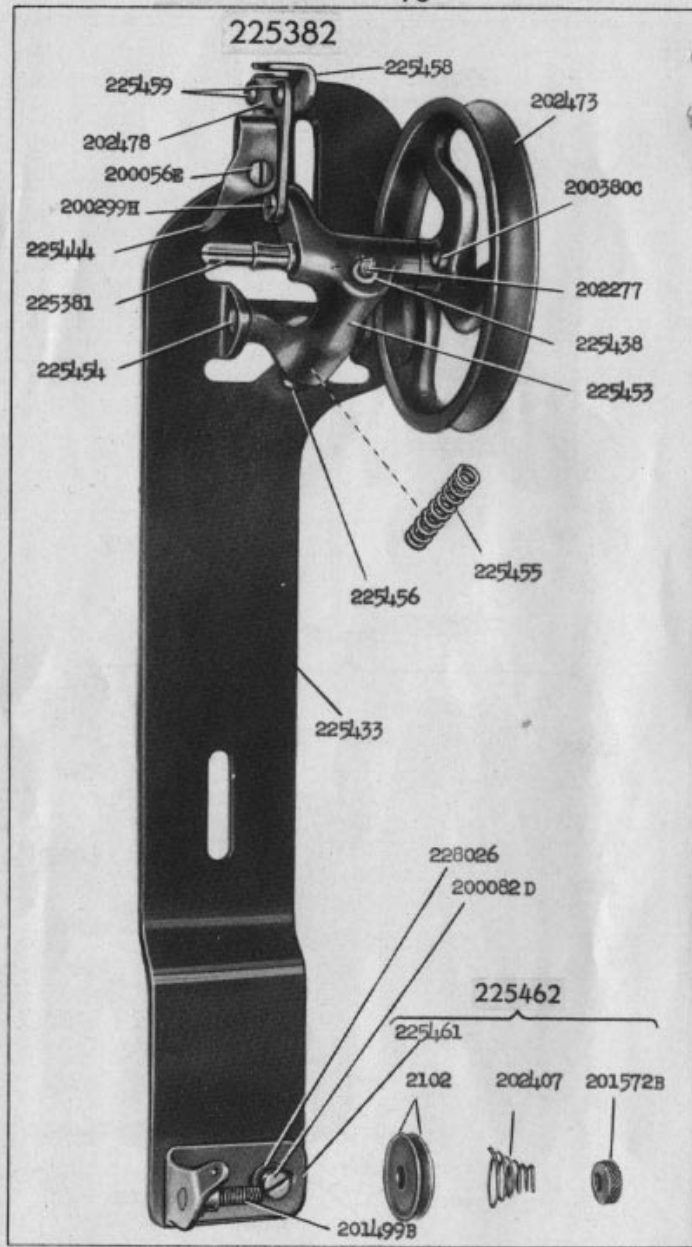
41348



41347



22908 - 2/3





22981 - 1/2