

Form 8208
(315)
Printed in U.S.A.

LIST OF PARTS



SINGER** MACHINES

Nos. 85-1, 85-2 and 85-10

THE SINGER MANUFACTURING COMPANY

**A Trade Mark of THE SINGER MANUFACTURING COMPANY

INSTRUCTIONS FOR OILING

To ensure easy running and prevent unnecessary wear of the parts which are in movable contact, the machine requires oiling and when in continuous use, "TYPE B" or "TYPE D" OIL, sold by Singer Sewing Machine Company, should be applied at least twice each day to all oil holes marked "OIL", as instructed in Form 8011.

"TYPE D" OIL should be used when an oil is desired which will produce a minimum of stain on fabrics, even after a long period of storage.

INDEX

	PAGE
ACCESSORIES.....	26
FOOT LIFTER PARTS.....	27
HEMMER ON SHANK.....	27
IRON BASE.....	26
KNEE LIFTER PARTS.....	28
MACHINE No. 85-1.....	7
" " 85-2.....	13
" " 85-10.....	19
NUMERICAL LIST OF PARTS.....	35
OBSOLETE PARTS.....	34
THREAD UNWINDERS.....	29
UNDER DRIVER (OIL CONTROLLING PULLEY).....	30
" " (BALL BEARING).....	31

NO.	PLATE	NAME
1374c	6718	Feed Regulating Screw Stud.....
1680c	6718	“ “ “ “ Nut.....
41544	6718	“ “ “ “ Washer.....
42014	6718	“ Regulator with 233D and two 1259c.
42015	6713	“ “ Connection with 1012E..
1012E	6713	“ “ “ Adjusting Screw.....
1373c	6713	Feed Regulator Connection Hinge Screw
1520E	6713	“ “ “ “ “ Nut.....
42016	6718	Feed Regulator Hinge Stud.....
1259c	6718	“ “ Set Screw.....
233D	6718	“ “ Stop Screw.....
42019	6718	“ Rock Shaft.....
42020	—	Feed Rock Shaft complete, Nos. 42019 and 42021.....
42021	6718	Feed Rock Shaft Crank with 157E.....
157E	6718	“ “ “ “ Clamping Screw.
42098	6718	“ “ “ Hinge Pin.....
42079	6718	“ “ “ “ “ Bushing.....
1036c	6718	“ “ “ “ “ “ Set Screw.....
*37511	—	Frame.....
37512	6710	“ Rotary Shaft.....
42024	6710	“ “ “ Bushing (front).....
1036c	6718	“ “ “ “ “ “ Set Screw.....
37513	6718	Frame Rotary Shaft Crank with 1259c and 1375c.....
1375c	6718	Frame Rotary Shaft Crank Position Screw.....
1259c	6718	Frame Rotary Shaft Crank Set Screw....
42026	6710	“ “ “ Flanged Bushing (back).....
40326	6729	Frame Rotary Shaft Flanged Bushing (back) Oil Pad (braided cotton).....
1036c	6718	Frame Rotary Shaft Flanged Bushing (back) Set Screw.....
54648	6729	Frame Rotary Shaft Oil Pad (braided cotton).....
37514	6710	Frame Side Cover.....
193F	6713	“ “ “ Screw.....
37515	6711	“ Top Cover.....
742F	6730	“ “ “ Screw (left).....
157D	6718	“ “ “ “ (right).....
37516	6719	Guide.....
37544	—	“ 37516 with 203F, 7071 and 42237..

NO.	PLATE	NAME
193F	6713	Guide Screw.....
7071	6713	“ “ Washer.....
42237	6719	“ Smoothing Plate.....
203F	6719	“ “ “ Screw.....
7071	6713	“ “ “ “ Washer....
37517	6719	Hook with Latch..... per 100
50072E	6719	“ Clamping Screw Stud.....
1555F	6719	“ “ “ “ Nut.....
37543	6719	“ Guard.....
704C	6719	“ “ Screw.....
37518	6719	“ Slide.....
37519	6719	“ “ Connecting Link with 223F... 40247 6719 “ “ “ “ Hinge Pin 223F 6719 “ “ “ “ “ “
		Set Screw.....
37520	6719	Hook Slide Guide (lower).....
1182D	6719	“ “ “ “ Screw.....
37520	6719	“ “ “ (upper).....
464F	6719	“ “ “ “ Adjusting Screw.....
1182D	6719	Hook Slide Guide (upper) Screw.....
37521	6719	“ “ Lever.....
37522	6720	“ “ “ Connecting Link.....
378c	6720	“ “ “ “ “ Hinge Screw.....
1520c	6713	Hook Slide Lever Connecting Link Hinge Screw Nut.....
37523	6720	Hook Slide Lever Driving Arm with 1255D.....
1255D	6720	Hook Slide Lever Driving Arm Clamping Screw.....
37524	6720	Hook Slide Lever Driving Arm Crank with 1259c.....
42221	6720	Hook Slide Lever Driving Arm Crank Ball Stud.....
1259c	6720	Hook Slide Lever Driving Arm Crank Ball Stud Set Screw.....
42075	6720	Hook Slide Lever Driving Arm Crank Connection with 42059, 42076 and four 1057E.....
*42076	—	Hook Slide Lever Driving Arm Crank Connection Cap (lower).....
1057E	6713	Hook Slide Lever Driving Arm Crank Connection Cap (lower) Screw.....
*42059	—	Hook Slide Lever Driving Arm Crank Connection Cap (upper).....

NO.	PLATE	NAME
1057E	6713	Hook Slide Lever Driving Arm Crank Connection Cap (upper) Screw.....
42077	6720	Hook Slide Lever Driving Arm Crank Connection Guide.....
171F	6720	Hook Slide Lever Driving Arm Crank Connection Guide Screw.....
42078	6720	Hook Slide Lever Driving Arm Crank Hinge Pin.....
42079	6718	Hook Slide Lever Driving Arm Crank Hinge Pin Bushing.....
1259c	6718	Hook Slide Lever Driving Arm Crank Hinge Pin Bushing Set Screw.....
42053	6721	Hook Slide Lever Hinge Stud.....
1259c	6721	" " " " " Set Screw..
37525	6719	" " Rock Shaft with two each 464F, 37520 and four 1182D.....
37526	6720	Hook Slide Rock Shaft Cam (steel) with two 453c.....
453c	6713	Hook Slide Rock Shaft Cam Set Screw...
37527	6720	" " " " Crank (forked) with 1057E.....
1057E	6713	Hook Slide Rock Shaft Crank Clamping Screw.....
37528	6722	Hook Slide Rock Shaft Driving Lever with 190c, 203c and 37529.....
38442	6720	Hook Slide Rock Shaft Driving Lever Ball Stud.....
14016	6720	Hook Slide Rock Shaft Driving Lever Ball Stud Block (two pieces).....
193F	6713	Hook Slide Rock Shaft Driving Lever Ball Stud Set Screw.....
37529	6722	Hook Slide Rock Shaft Driving Lever Extension.....
203c	6719	Hook Slide Rock Shaft Driving Lever Extension Screw (lower).....
190c	6730	Hook Slide Rock Shaft Driving Lever Extension Screw (upper).....
42045	6719	Hook Slide Rock Shaft Driving Lever Hinge Stud.....
1036c	6718	Hook Slide Rock Shaft Driving Lever Hinge Stud Set Screw.....
37530	6729	Hook Slide Rock Shaft Driving Lever Oil Pad.....
37531	6729	Hook Slide Rock Shaft Driving Lever Oil Pad Holder with 37530.....
37532	6721	Needle Bar (hollow).....
42253	6721	" " Bushing.....

NO.	PLATE	NAME
624c	6730	Needle Bar Bushing Set Screw.....
37596	6721	" " Connecting Bracket with 187D and 223F.....
187D	6721	Needle Bar Connecting Bracket Clamping Screw.....
42055	6721	Needle Bar Connecting Link.....
40247	6719	" " " " Hinge Pin
904c	6723	" " " " " "
		Set Screw (lower) for 42104.....
223F	6719	Needle Bar Connecting Link Hinge Pin Set Screw (upper) for 37596.....
37533	6721	Needle Bar Connecting Rod with 42059, 42076 and four 1057E.....
*42076	—	Needle Bar Connecting Rod Cap (lower)
1057E	6721	" " " " " "
		Screw.....
*42059	—	Needle Bar Connecting Rod Cap (upper)
1057E	6721	" " " " " "
		Screw.....
42077	6720	Needle Bar Connecting Rod Guide.....
171F	6720	" " " " " Screw
42103	6721	" " Crank (back) with 1258c and two 1259c.....
37534	6721	Needle Bar Crank (back) Ball Stud.....
1259c	6721	" " " " " " S e t
		Screw.....
1259c	6721	Needle Bar Crank (back) Position Screw.
1258c	6721	" " " " " Set Screw.....
42104	6723	" " " (front) with 904c, 1258c and 1259c.....
1259c	6723	Needle Bar Crank (front) Position Screw
1258c	6723	" " " " " Set Screw.....
42105	6721	" " " Shaft.....
1629c	6721	" Clamping Nut.....
37535	6723	" Guard.....
37536	6723	" " Holder.....
1101c	6730	" " " Screw.....
193F	6713	" " Screw.....
37537	6723	Presser Bar (hollow).....
37565	6723	" " Lifter and Guide Bracket with 400c and 1454D.....
400c	6723	Presser Bar Lifter and Guide Bracket Adjusting Screw.....
1454D	6723	Presser Bar Lifter and Guide Bracket Clamping Screw.....
37539	6723	Presser Bar Spring.....
37540	6714	" Foot (narrow).....

NO.	PLATE	NAME
37541	6714	Presser Foot (wide).....
190D	6730	" " Screw.....
1210E	6730	Pressure Regulating Thumb Screw.....
2102	6723	Tension Disc.....
1560C	6723	" Regulating Thumb Nut.....
916F	6723	" Screw Stud.....
10148	6723	" Spring.....
17547	6723	" Thread Guide.....
18172	6723	Thread Eyelet (top of arm).....
37542	6714	Throat Plate for 37508.....
742F	6730	" " Screw.....

SINGER Needles should be used
 in **SINGER** Machines
 These Needles and their Containers
 are marked with the
 Company's Trade Mark "SIMANCO.**" 1

Needles in Containers marked
 "FOR SINGER MACHINES"
 are NOT **SINGER** made needles. 2

LIST OF PARTS COMPLETE

FOR

MACHINE NO. 85-2

DIFFERS FROM NO. 85-1 ONLY IN BEING FITTED TO MAKE STITCHES
¼ TO ½ INCH APART. GREATEST WIDTH OF BIGHT ½ INCH

NO.	PLATE	NAME
*37501	—	Arm with two each 624c and 42253.....
16532	6729	" Dowel Pin.....
949E	6730	" Screw.....
37502	6710	Balance Wheel with 423c and 1354c.....
1354c	6730	" " Position Screw.....
423c	6730	" " Set Screw.....
37546	6724	Chaining-off Finger.....
193F	6713	" " Screw.....
7071	6713	" " " Washer.....
37504	6711	Cloth Plate.....
37505	—	Cloth Plate complete, Nos. 37504, 42005, 42231, two 236D and three 229D.....
42231	6711	Cloth Plate Extension.....
229D	6730	" " " Screw.....
1437D	6730	" " Hinge Screw.....
1655E	6730	" " " " Nut.....
42005	6713	" " Lock Spring.....
236D	6730	" " " " Screw.....
37547	6724	Feed Bar with 1253c and 27574.....
42007	6713	" " Hinge Pin.....
1253c	6713	" " " " Set Screw.....
39303	6724	" " Spring.....
27574	6724	" " " Hook for 37547.....
11446	6724	" " " " 37511.....
37506	6713	" Connecting Rod with 37507 and two 1057E.....
*37507	—	Feed Connecting Rod Cap.....
1057E	6713	" " " " Screw.....
1373c	6713	" " " Hinge Screw.....
1520E	6713	" " " " " Nut.....
37548	6715	" Dog.....
190D	6730	" Screw.....
37509	6713	" Eccentric with two 453c.....
453c	6713	" " Set Screw.....
37549	6724	" Lifting Cam with two 465c.....
465c	6724	" " " Set Screw.....

NO.	PLATE	NAME
1374c	6718	Feed Regulating Screw Stud.....
1680c	6718	" " " " Nut.....
41544	6718	" " " " Washer.....
42014	6718	" Regulator with 233D and two 1259c.
37550	6724	" " Connection with 1012E..
1012E	6713	" " " " Adjusting Screw.....
1373c	6713	Feed Regulator Connection Hinge Screw
1520E	6713	" " " " " "
		Nut.....
42016	6718	Feed Regulator Hinge Stud.....
1259c	6718	" " Set Screw.....
37551	6724	" " Stop.....
233D	6718	" " " Screw.....
42019	6718	" Rock Shaft.....
42020	—	Feed Rock Shaft complete, Nos. 42019 and 42021.....
42021	6718	Feed Rock Shaft Crank with 157E.....
157E	6718	" " " " Clamping Screw..
42098	6718	" " " Hinge Pin.....
42079	6718	" " " " Bushing.....
1036c	6718	" " " " " " Set Screw.....
*37511	—	Frame.....
37512	6710	" Rotary Shaft.....
42024	6710	" " " Bushing (front).....
1036c	6718	" " " " " " Set Screw.....
37513	6718	Frame Rotary Shaft Crank with 1259c and 1375c.....
1375c	6718	Frame Rotary Shaft Crank Position Screw.....
1259c	6718	Frame Rotary Shaft Crank Set Screw....
42026	6710	" " " Flanged Bushing (back).....
40326	6729	Frame Rotary Shaft Flanged Bushing (back) Oil Pad (braided cotton).....
1036c	6718	Frame Rotary Shaft Flanged Bushing (back) Set Screw.....
54648	6729	Frame Rotary Shaft Oil Pad (braided cotton).....
37514	6710	Frame Side Cover.....
193F	6713	" " " Screw.....
37554	6712	" Top Cover.....
742F	6730	" " " Screw (left).....
157D	6718	" " " " (right).....
37516	6719	Guide.....

NO.	PLATE	NAME
37544	—	Guide 37516 with 203F, 7071 and 42237..
193F	6713	" Screw.....
7071	6713	" " Washer.....
42237	6719	" Smoothing Plate.....
203F	6719	" " " Screw.....
7071	6713	" " " " Washer....
37517	6719	Hook with Latch..... per 100
50072E	6719	" Clamping Screw Stud.....
1555F	6719	" " " " Nut.....
37543	6719	" Guard.....
704c	6719	" " Screw.....
37518	6719	" Slide.....
37519	6719	" " Connecting Link with 223F... 40247 6719 " " " " Hinge Pin 223F 6719 " " " " " " "
		Set Screw.....
37520	6719	Hook Slide Guide (lower).....
1182D	6719	" " " " Screw.....
37520	6719	" " " (upper).....
464F	6719	" " " " Adjusting Screw.....
1182D	6719	Hook Slide Guide (upper) Screw.....
37521	6719	" " Lever.....
37522	6720	" " " Connecting Link.....
378c	6720	" " " " " Hinge Screw.....
1520c	6713	Hook Slide Lever Connecting Link Hinge Screw Nut.....
37523	6720	Hook Slide Lever Driving Arm with 1255D.....
1255D	6720	Hook Slide Lever Driving Arm Clamping Screw.....
37524	6720	Hook Slide Lever Driving Arm Crank with 1259c.....
42221	6720	Hook Slide Lever Driving Arm Crank Ball Stud.....
1259c	6720	Hook Slide Lever Driving Arm Crank Ball Stud Set Screw.....
42075	6720	Hook Slide Lever Driving Arm Crank Connection with 42059, 42076 and four 1057E.....
*42076	—	Hook Slide Lever Driving Arm Crank Connection Cap (lower).....
1057E	6713	Hook Slide Lever Driving Arm Crank Connection Cap (lower) Screw.....
*42059	—	Hook Slide Lever Driving Arm Crank Connection Cap (upper).....

NO.	PLATE	NAME
1057E	6713	Hook Slide Lever Driving Arm Crank Connection Cap (upper) Screw.....
42077	6720	Hook Slide Lever Driving Arm Crank Connection Guide.....
171F	6720	Hook Slide Lever Driving Arm Crank Connection Guide Screw.....
42078	6720	Hook Slide Lever Driving Arm Crank Hinge Pin.....
42079	6718	Hook Slide Lever Driving Arm Crank Hinge Pin Bushing.....
1259c	6718	Hook Slide Lever Driving Arm Crank Hinge Pin Bushing Set Screw.....
42053	6721	Hook Slide Lever Hinge Stud.....
1259c	6721	" " " " " Set Screw..
37525	6719	" " Rock Shaft with two each 464F, 37520 and four 1182D.....
37526	6720	Hook Slide Rock Shaft Cam (steel) with two 453c.....
453c	6713	Hook Slide Rock Shaft Cam Set Screw...
37527	6720	" " " " Crank (forked) with 1057E.....
1057E	6713	Hook Slide Rock Shaft Crank Clamping Screw.....
37528	6722	Hook Slide Rock Shaft Driving Lever with 190c, 203c and 37529.....
38442	6720	Hook Slide Rock Shaft Driving Lever Ball Stud.....
14016	6720	Hook Slide Rock Shaft Driving Lever Ball Stud Block (two pieces).....
193F	6713	Hook Slide Rock Shaft Driving Lever Ball Stud Set Screw.....
37529	6722	Hook Slide Rock Shaft Driving Lever Extension.....
203c	6719	Hook Slide Rock Shaft Driving Lever Extension Screw (lower).....
190c	6730	Hook Slide Rock Shaft Driving Lever Extension Screw (upper).....
42045	6719	Hook Slide Rock Shaft Driving Lever Hinge Stud.....
1036c	6718	Hook Slide Rock Shaft Driving Lever Hinge Stud Set Screw.....
37530	6729	Hook Slide Rock Shaft Driving Lever Oil Pad.....
37531	6729	Hook Slide Rock Shaft Driving Lever Oil Pad Holder with 37530.....
37555	6724	Hook Stripper.....
193F	6713	" " Screw.....

NO.	PLATE	NAME
7071	6713	Hook Stripper Screw Washer.....
37532	6721	Needle Bar (hollow).....
42253	6721	" " Bushing.....
624c	6730	" " " " Set Screw.....
37596	6721	" " Connecting Bracket with 187D and 223F.....
187D	6721	Needle Bar Connecting Bracket Clamping Screw.....
42055	6721	Needle Bar Connecting Link.....
40247	6719	" " " " Hinge Pin...
904c	6723	" " " " " " Set Screw (lower) for 42104.....
223F	6719	Needle Bar Connecting Link Hinge Pin Set Screw (upper) for 37596.....
37533	6721	Needle Bar Connecting Rod with 42059, 42076 and four 1057E.....
*42076	—	Needle Bar Connecting Rod Cap (lower)
1057E	6721	" " " " " " " " Screw.....
*42059	—	Needle Bar Connecting Rod Cap (upper)
1057E	6721	" " " " " " " " Screw.....
42077	6720	Needle Bar Connecting Rod Guide.....
171F	6720	" " " " " " " " Screw.
42103	6721	" " Crank (back) with 1258c and two 1259c.....
37534	6721	Needle Bar Crank (back) Ball Stud.....
1259c	6721	" " " " " " " " S e t Screw.....
1259c	6721	Needle Bar Crank (back) Position Screw.
1258c	6721	" " " " " " Set Screw.....
42104	6723	" " " (front) with 904c, 1258c and 1259c.....
1259c	6723	Needle Bar Crank (front) Position Screw.
1258c	6723	" " " " " " Set Screw.....
42105	6721	" " " Shaft.....
1629c	6721	" Clamping Nut.....
37535	6723	" Guard.....
37536	6723	" " Holder.....
1101c	6730	" " " " " " Screw.....
193F	6713	" " " " " " Screw.....
37537	6723	Presser Bar (hollow).....
37565	6723	" " Lifter and Guide Bracket with 400c and 1454D.....
400c	6723	Presser Bar Lifter and Guide Bracket Adjusting Screw.....

NO.	PLATE	NAME
1454D	6723	Presser Bar Lifter and Guide Bracket Clamping Screw.....
37539	6723	Presser Bar Spring.....
37566	—	“ Foot.....
37557	6715	“ “ Extension.....
203D	6715	“ “ “ Screw.....
37567	6715	Presser Foot complete, for general work, Nos. 203D, 37557 and 37566.....
190D	6730	Presser Foot Screw.....
1210E	6730	Pressure Regulating Thumb Screw.....
2102	6723	Tension Disc.....
1560C	6723	“ Regulating Thumb Nut.....
916F	6723	“ Screw Stud.....
10148	6723	“ Spring.....
17547	6723	“ Thread Guide.....
18172	6723	Thread Eyelet (top of arm).....
37559	6715	Throat Plate for 37548.....
742F	6730	“ “ Screw.....

LIST OF PARTS COMPLETE FOR MACHINE NO. 85-10

**FOR MAKING SHELL STITCH ON KNIT UNDERWEAR, CHILDREN'S
FLANNELETTE COATS, ETC., SIX STITCHES TO EACH SHELL.
SUPPLEMENTARY THREAD MECHANISM, ONE NEEDLE,
ONE LATCH HOOK, CROCHET STITCH**

NO.	PLATE	NAME
*37568	—	Arm with two each 624c and 42253.....
16532	6729	“ Dowel Pin.....
949E	6730	“ Screw.....
37502	6710	Balance Wheel with 423c and 1354c.....
1354c	6730	“ “ Position Screw.....
423c	6730	“ “ Set Screw.....
37569	6716	Chaining-off Finger, for narrow bight...
37619	6716	“ “ “ wide bight.....
217F	6730	“ “ Screw.....
37504	6711	Cloth Plate.....
37505	—	Cloth Plate complete, Nos. 37504, 42005, 42231, two 236D and three 229D.....
42231	6711	Cloth Plate Extension.....
229D	6730	“ “ “ Screw.....
1437D	6730	“ “ Hinge Screw.....
1655E	6730	“ “ “ Nut.....
42005	6713	“ “ Lock Spring.....
236D	6730	“ “ “ “ Screw.....
37570	6724	Feed Bar with 1253c.....
37571	6725	“ “ Connection.....
1048c	6730	“ “ “ Hinge Screw.....
42007	6713	“ “ Hinge Pin.....
1253c	6713	“ “ “ “ Set Screw.....
37506	6713	“ Connecting Rod with 37507 and two 1057E.....
*37507	—	Feed Connecting Rod Cap.....
1057E	6713	“ “ “ “ Screw.....
1373c	6713	“ “ “ “ Hinge Screw.....
1520E	6713	“ “ “ “ “ Nut..
37573	6716	“ Dog, for flannelette.....
37620	6716	“ “ “ knit goods.....
190D	6730	“ “ Screw.....
37509	6713	“ Eccentric with two 453c.....
453c	6713	“ “ Set Screw.....

NO.	PLATE	NAME
37621	6726	Feed Lifting Cam, for two stitches.....
37622	6726	" " " " three stitches.....
37623	6726	" " " " four stitches.....
37574	6726	" " " " six stitches.....
37624	6726	" " " " eight stitches.....
37575	6726	" " " Gear for 37574, 37621 and 37622.....
37625	6726	Feed Lifting Cam Gear for 37623 and 37624.....
37576	6725	Feed Lifting Cam Gear Bracket.....
1396D	6730	" " " " " Screw
18182	6725	" " " " " " Washer.....
35c	6730	Feed Lifting Cam Gear Screw.....
1654c	6730	" " " " " Nut.....
171D	6720	" " " Screw.....
37577	6726	" " Gear (large) with 465c.....
37578	—	" " " " 37577 with 37579.....
465c	6724	Feed Lifting Gear (large) Set Screw.....
37579	6726	" " " (small).....
37580	6725	" " " Cover.....
217F	6730	" " " " Screw.....
37581	6725	" " " Stud.....
1148c	6730	" " " " Set Screw.....
37582	6725	" " Lever with 1877.....
37583	6725	" " " Hinge Stud.....
1036c	6718	" " " " " Set Screw.
1877	6725	" " " Roller and Screw Stud
37584	6725	" " " Spring.....
1374c	6718	" Regulating Screw Stud.....
1680c	6718	" " " " Nut.....
41544	6718	" " " " Washer.....
42014	6718	" Regulator with 233D and two 1259c.
37550	6724	" " Connection with 1012E..
1012E	6713	" " " " Adjusting Screw.....
1373c	6713	Feed Regulator Connection Hinge Screw
1520E	6713	" " " " " Nut.....
42016	6718	Feed Regulator Hinge Stud.....
1259c	6718	" " " Set Screw.....
37551	6724	" " Stop.....
233D	6718	" " " Screw.....
42019	6718	" Rock Shaft.....
37552	—	Feed Rock Shaft complete, Nos. 37553 and 42019.....

NO.	PLATE	NAME
37553	6727	Feed Rock Shaft Crank with 157E.....
157E	6718	" " " " Clamping Screw..
42098	6718	" " " Hinge Pin.....
42079	6718	" " " " " Bushing.....
1036c	6718	" " " " " " Set Screw.....
*37585	—	Frame.....
37586	6710	" Rotary Shaft.....
42024	6710	" " " Bushing (front).....
1036c	6718	" " " " " " Set Screw.....
42025	6727	Frame Rotary Shaft Crank with 1259c and 1375c.....
1375c	6718	Frame Rotary Shaft Crank Position Screw
1259c	6718	" " " " " Set Screw.....
42026	6710	" " " Flanged B u s h i n g (back).....
40326	6729	Frame Rotary Shaft Flanged Bushing (back) Oil Pad (braided cotton).....
1036c	6718	Frame Rotary Shaft Flanged Bushing (back) Set Screw.....
54648	6729	Frame Rotary Shaft Oil Pad (braided cotton).....
37587	6710	Frame Side Cover.....
193F	6713	" " " Screw.....
37588	6712	" Top Cover.....
742F	6730	" " " Screw (left).....
157D	6718	" " " " (right).....
37590	6727	Guide for 37573.....
37626	6727	" " 37620.....
193F	6713	" Screw.....
7071	6713	" " Washer.....
37591	6727	Hook with Latch..... per 100
50072E	6719	" Clamping Screw Stud.....
1555F	6719	" " " " Nut.....
37632	6727	" Guard.....
704c	6719	" " Screw.....
37593	6727	" Slide.....
37519	6719	" " Connecting Link with 223F...
40247	6719	" " " " Hinge Pin
223F	6719	" " " " " " Set Screw.....
37520	6719	Hook Slide Guide (lower).....
1182D	6719	" " " " Screw.....
37520	6719	" " " (upper).....
464F	6719	" " " " Adjusting Screw.....

NO.	PLATE	NAME
1182D	6719	Hook Slide Guide (upper) Screw
37521	6719	" " Lever
37594	6727	" " " Connecting Link
378C	6720	" " " " " Hinge Screw
1520C	6713	Hook Slide Lever Connecting Link Hinge Screw Nut
37523	6720	Hook Slide Lever Driving Arm with 1255D
1255D	6720	" " " " " Clamping Screw
37524	6720	Hook Slide Lever Driving Arm Crank with 1259C
42221	6720	Hook Slide Lever Driving Arm Crank Ball Stud
1259C	6720	Hook Slide Lever Driving Arm Crank Ball Stud Set Screw
42075	6720	Hook Slide Lever Driving Arm Crank Connection with 42059, 42076 and four 1057E
*42076	—	Hook Slide Lever Driving Arm Crank Connection Cap (lower)
1057E	6713	Hook Slide Lever Driving Arm Crank Connection Cap (lower) Screw
*42059	—	Hook Slide Lever Driving Arm Crank Connection Cap (upper)
1057E	6713	Hook Slide Lever Driving Arm Crank Connection Cap (upper) Screw
42077	6720	Hook Slide Lever Driving Arm Crank Connection Guide
171F	6720	Hook Slide Lever Driving Arm Crank Connection Guide Screw
42078	6720	Hook Slide Lever Driving Arm Crank Hinge Pin
42079	6718	Hook Slide Lever Driving Arm Crank Hinge Pin Bushing
1259C	6718	Hook Slide Lever Driving Arm Crank Hinge Pin Bushing Set Screw
42053	6721	Hook Slide Lever Hinge Stud
1259C	6721	" " " " " Set Screw
37525	6719	" " Rock Shaft with two each 464F, 37520 and four 1182D
37595	6727	Hook Slide Rock Shaft Cam (steel) with two 452C
452C	6727	Hook Slide Rock Shaft Cam Set Screw
37527	6720	" " " " Crank (forked) with 1057E

NO.	PLATE	NAME
1057E	6713	Hook Slide Rock Shaft Crank Clamping Screw
37528	6722	Hook Slide Rock Shaft Driving Lever with 190C, 203C and 37529
38442	6720	Hook Slide Rock Shaft Driving Lever Ball Stud
14016	6720	Hook Slide Rock Shaft Driving Lever Ball Stud Block (two pieces)
193F	6713	Hook Slide Rock Shaft Driving Lever Ball Stud Set Screw
37529	6722	Hook Slide Rock Shaft Driving Lever Extension
203C	6719	Hook Slide Rock Shaft Driving Lever Extension Screw (lower)
190C	6730	Hook Slide Rock Shaft Driving Lever Extension Screw (upper)
42045	6719	Hook Slide Rock Shaft Driving Lever Hinge Stud
1036C	6718	Hook Slide Rock Shaft Driving Lever Hinge Stud Set Screw
37530	6729	Hook Slide Rock Shaft Driving Lever Oil Pad
37531	6729	Hook Slide Rock Shaft Driving Lever Oil Pad Holder with 37530
37633	6727	Latch Opener
229D	6730	" " Screw
37532	6721	Needle Bar (hollow)
42253	6721	" " Bushing
624C	6730	" " " Set Screw
37596	6721	" " Connecting Bracket with 187D and 223F
187D	6721	Needle Bar Connecting Bracket Clamping Screw
42055	6721	Needle Bar Connecting Link
40247	6719	" " " " " Hinge Pin
904C	6727	" " " " " " " Set Screw (lower) for 37597
223F	6719	Needle Bar Connecting Link Hinge Pin Set Screw (upper) for 37596
37533	6721	Needle Bar Connecting Rod with 42059, 42076 and four 1057E
*42076	—	Needle Bar Connecting Rod Cap (lower)
1057E	6721	" " " " " " " Screw
*42059	—	Needle Bar Connecting Rod Cap (upper)
1057E	6721	" " " " " " " Screw

NO.	PLATE	NAME
42077	6720	Needle Bar Connecting Rod Guide.....
171F	6720	“ “ “ “ “ Screw.
42103	6721	“ “ Crank (back) with 1258c and two 1259c.....
42074	6727	Needle Bar Crank,(back) Ball Stud.....
1259c	6721	“ “ “ “ “ “ Set Screw.....
1259c	6721	Needle Bar Crank (back) Position Screw.
1258c	6721	“ “ “ “ Set Screw.....
37597	6727	“ “ “ (front) with 904c, 1258c and 1259c.....
1259c	6727	Needle Bar Crank (front) Position Screw.
1258c	6727	“ “ “ “ Set Screw.....
42105	6721	“ “ “ Shaft.....
1629c	6721	“ Clamping Nut.....
37598	6727	“ Guard.....
197F	6730	“ “ Screw.....
37537	6723	Presser Bar (hollow).....
37565	6723	“ “ Lifter and Guide Bracket with 400c and 1454D.....
400c	6723	Presser Bar Lifter and Guide Bracket Adjusting Screw.....
1454D	6723	Presser Bar Lifter and Guide Bracket Clamping Screw.....
37539	6723	Presser Bar Spring.....
37600	6714	“ Foot for 37573.....
37627	—	“ “ Body.....
37628	6714	“ “ Extension.....
197D	6714	“ “ “ Screw.....
37629	6714	Presser Foot complete for 37620, Nos. 197D, 37627 and 37628.....
190D	6730	Presser Foot Screw.....
1210E	6730	Pressure Regulating Thumb Screw.....
2102	6723	Tension (needle thread) Disc.....
1560c	6723	“ “ “ R e g u l a t i n g Thumb Nut.....
916F	6723	Tension (needle thread) Screw Stud.....
10148	6723	“ “ “ Spring.....
17547	6723	“ “ “ Thread Guide....
2102	6723	“ (thread carrier) Disc.....
1560c	6723	“ “ “ R e g u l a t i n g Thumb Nut.....
916F	6723	Tension (thread carrier) Screw Stud.....
10148	6723	“ “ “ Spring.....
17547	6723	“ “ “ Thread Guide....
37601	6728	Thread Carrier.....
37602	6728	“ “ Cam.....

NO.	PLATE	NAME
704c	6719	Thread Carrier Cam Screw.....
1253F	6713	“ “ Set Screw.....
37603	6728	“ “ Shaft with 1253F.....
37604	6728	“ “ “ Bushing.....
1259c	6718	“ “ “ “ Set Screw..
37605	6728	“ “ “ Crank with 217F and 1820.....
1820	6728	Thread Carrier Shaft Crank Roller and Stud.....
217F	6728	Thread Carrier Shaft Crank Set Screw...
37606	6728	“ “ Spring.....
37607	6728	“ “ “ Adjusting Collar with 217F.....
217F	6728	Thread Carrier Spring Adjusting Collar Set Screw.....
738D	6730	Thread Carrier Spring Screw.....
37618	6728	“ Eyelet (double) top of arm.....
37608	6728	“ Nipper Lever with 1819.....
646F	6730	“ “ “ Hinge Screw.....
1819	6728	“ “ “ Roller and Stud....
37609	6728	“ “ “ Spring.....
37610	6728	“ “ Spring (flat) for 37568....
37611	6728	“ “ “ “ “ 37608...
217F	6728	“ “ “ Screw.....
42126	6728	“ Pull-off.....
37613	6716	Throat Plate for 37573.....
37630	6716	“ “ “ 37620.....
37614	6716	“ “ Guard for 37613.....
37631	6716	“ “ “ “ 37630.....
236F	6730	“ “ “ Screw.....
742F	6730	“ “ Screw.....

IRON BASE

NO.	PLATE	NAME
42086	6735	Machine Base with three wood screws 1¼ in. No. 12 and four each 935D, 4718 and 42088.....
4718	6729	Machine Base Cushion (felt).....
42088	6729	" Cushion (felt).....
935D	6730	" " Screw.....

ACCESSORIES

NO.	PLATE	NAME
36420	6729	Hook Setting Gauge for 85-1 and 85-2 Machines.....
36558	6729	Hook Setting Gauge for 85-10 Machine..
1408E	6731	Machine Base Thumb Screw for 85-1 and 85-2 Machines.....
474E	6731	Machine Base Thumb Screw for 85-10 Machine.....
14063	6722	Machine Base Thumb Screw Spring for 85-1 and 85-2 Machines.....
9842	6729	Machine Base Thumb Screw Spring Washer for 85-1 and 85-2 Machines....
9842	6729	Machine Base Thumb Screw Washer for 85-10 Machine.....
36563	6732	Oiler (copper plated) with 36564.....
36564	6732	" Spout, 5 in. long.....
26151	6732	Screw Driver, 5 in. blade, ¾ in. face....
27457	6732	Spool Weight with 27444 and 27458, for 85-10 Machine.....
27444	6729	Spool Weight Centre for 27457.....
27458	6732	" " Thread Guide for 27457...
35095	6732	Tweezers, 6 in., for 85-10 Machine.....
4822	6732	Wrench for 1547.....
8908	6732	" " 1520, 1654 and 1655.....
42089	6732	" " 1374 and 1629.....

HEMMER ON SHANK

FOR MACHINES 85-1 AND 85-2

NO.	PLATE	NAME
37508	6714	Feed Dog for 85-1 Machine.....
37548	6715	" " " 85-2 Machine.....
36109	6733	Hemmer on Shank.....
193F	6713	" Screw.....
7071	6713	" " Washer.....
37540	6714	Presser Foot (narrow) for 37508.....
37541	6714	" " (wide) for 37508.....
37556	—	" " for 37558.....
37557	6715	" " Extension for 37558.....
203D	6715	" " " Screw.....
37558	6715	Presser Foot complete for 37548, Nos. 203D, 37556 and 37557.....
37542	6714	Throat Plate for 37508.....
37559	6715	" " " 37548.....

FOOT LIFTER PARTS

NO.	PLATE	NAME
6439	—	Chain, 36 in. to 45 in.....
NOTE. When ordering No. 6439 give length required.		
4879	6732	Chain Connecting Link.....
37560	6734	Lifting Lever.....
37561	6734	" " Bracket for 37562.....
37615	6734	" " " " 37616.....
1186D	6734	" " " Screw.....
1301D	6734	" " Hinge Screw.....
42132	6734	" " Spring.....
1148F	6730	" " Stop Screw.....
1547D	6730	" " " " Nut.....
4881	6735	Treadle.....
4882	6732	" Shaft.....
4883	6732	" Spring.....
4884	6735	" Stand.....
4885	6735	Treadle complete, Nos. 4879, 4881 to 4884 and two wood screws 1 in. No. 16.
37562	—	Foot Lifter complete for 85-1 and 85-2 Machines, Nos. 1148F, 1301D, 1547D, 4885, 6439, 37560, 37561, 42132 and two 1186D.....
37616	—	Foot Lifter complete for 85-10 Machine, Nos. 1148F, 1301D, 1547D, 4885, 6439, 37560, 37615, 42132 and two 1186D....

KNEE LIFTER PARTS

NO.	PLATE	NAME
37563	—	Chain, length 15 inches.....
37560	6734	Lifting Lever.....
37561	6734	“ “ Bracket for 37564.....
37615	6734	“ “ “ “ 37617.....
1186D	6734	“ “ “ Screw.....
1301D	6734	“ “ Hinge Screw.....
42132	6734	“ “ Spring.....
1148F	6730	“ “ Stop Screw.....
1547D	6730	“ “ “ “ Nut.....
2763	6735	Rock Shaft.....
12242	6735	“ “ Hanger with two wood screws 1 in. No. 10.....
2765	6735	Rock Shaft Knee Arm.....
2766	6735	“ “ “ “ Hub with 356c....
356c	6730	“ “ “ “ “ Set Screw....
2768	—	Rock Shaft Knee Arm complete, Nos. 2765 to 2767.....
2767	6735	Rock Shaft Knee Plate with 356c.....
356c	6730	“ “ “ “ “ Set Screw.....
6337	6735	“ “ Lifting Bracket with two 356c.....
7125	6735	Rock Shaft Lifting Bracket Hook.....
356c	6730	“ “ “ “ “ S e t Screw.....
356c	6730	Rock Shaft Lifting Bracket Set Screw....
2770	6735	“ “ Stop Dog with 356c.....
356c	6730	“ “ “ “ “ Set Screw.....
42143	6735	Rock Shaft complete, Nos. 2763, 2768, 6337, 7125 and two each 2770 and 12242
37564	—	Knee Lifter complete for 85-1 and 85-2 Machines, Nos. 1148F, 1301D, 1547D, 37560, 37561, 37563, 42132, 42143 and two 1186D.....
37617	—	Knee Lifter complete for 85-10 Machine, Nos. 1148F, 1301D, 1547D, 37560, 37563, 37615, 42132, 42143 and two 1186D....

THREAD UNWINDERS

THREAD UNWINDER

FOR ONE LARGE SPOOL OR ONE LARGE CONE OF THREAD.
FOR MACHINES 85-1 AND 85-2

NO.	PLATE	NAME
27623	2836	Spool Pin.....
155c	6730	“ “ Set Screw.....
41526	2836	“ Rest.....
41527	—	“ “ 41526 with 155c, 1149c and 27623.....
1149c	6730	Spool Rest Set Screw.....
27940	2836	“ Stand with 453c.....
41514	2836	“ Weight, 4 in. diam., with 41515....
41515	6729	“ “ Centre Pin.....
27739	2836	Thread Cone (wood).....
41630	2836	“ Guard with 208E and 41569.....
41569	6729	“ “ Eyelet.....
41637	2836	“ “ Rod (lower).....
41638	2836	“ “ “ (upper).....
41639	2836	“ “ “ Coupling with two 456c.....
456c	6730	Thread Guard Rod Coupling Set Screw..
41640	—	Thread Guard Rod complete, 30 in. long, Nos. 41637 to 41639.....
453c	6713	Thread Guard Rod Set Screw.....
208E	6730	“ “ Screw.....
41529	2836	Thread Unwinder complete, Nos. 27739, 27940, 41514, 41527, 41630, 41640 and three wood screws 1 in. No. 12.....

THREAD UNWINDER

FOR TWO LARGE SPOOLS OR TWO LARGE CONES OF THREAD.
FOR MACHINE 85-10

NO.	PLATE	NAME
27623	2837	Spool Pin.....
155c	6730	“ “ Set Screw.....
41530	2837	“ Rest.....
41531	—	“ “ 41530 with 1149c and two each 155c and 27623.....
1149c	6730	Spool Rest Set Screw.....
27940	2837	“ Stand with 453c.....

NO.	PLATE	NAME
41514	2837	Spool Weight, 4 in. diam., with 41515...
41515	6729	" " Centre Pin.....
27739	2837	Thread Cone (wood).....
41631	2837	" Guard with 208E and two 41569..
41569	6729	" " Eyelet.....
41637	2837	" " Rod (lower).....
41638	2837	" " " (upper).....
41639	2837	" " " Coupling with two 456c.....
456c	6730	Thread Guard Rod Coupling Set Screw..
41640	—	Thread Guard Rod complete, 30 in. long, Nos. 41637 to 41639.....
453c	6713	Thread Guard Rod Set Screw.....
208E	6730	" " Screw.....
41533	2837	Thread Unwinder complete, Nos. 27940, 41531, 41631, 41640, two each 27739, 41514 and three wood screws 1 in. No. 12.....

UNDER DRIVER

LEVER PRESSURE, THREE SPEED, RIGHT HAND (OIL CONTROLLING PULLEY)

NO.	PLATE	NAME
27508	362	Belt Guard.....
649E	6730	" " Screw.....
27509	362	Cone Pulley (grooved) three speed, 2½ in., 3¾ in. and 5¼ in. diam., with 27473..
27473	1101	Cone Pulley Centre Bearing.....
27474	363	Dress Guard (right hand).....
138E	1101	" " Screw.....
27630	362	Driving Pulley (grooved) 6 in. diam., with 433c, 27598 and two 7958.....
27598	—	Driving Pulley Friction Ring (leather)...
7958	2642	" " " " Stop Pin....
27631	1101	" " Hollow Stud with 27600..
27600	1101	" " " " Position Stud
356c	6730	" " " " Set Screw....
27632	—	" " " " Wick.....
27633	—	" " " " Wire with 27632.....
433c	1101	Driving Pulley Screw Centre Bearing
7958	2642	" " " " " "
		Dowel Pin.....
27634	362	Frame.....

NO.	PLATE	NAME
41338	362	Lever.....
27483	1101	" Brake Spring.....
27497	1101	" " Strip (leather).....
12178	1101	" Centre Plug (wood).....
427E	1101	" " " Adjusting Screw.....
1508E	1101	" " " " " Nut..
27485	1101	" Hinge Pin.....
27635	362	Oil Cup.....
127E	6730	" " Screw.....
27070	363	Shaft Driving Pulley (sectional, grooved) 10 in. diam., 1¼ in. bore, with two 597c.....
597c	2642	Shaft Driving Pulley Clamping Screw...
27636	363	Treadle.....
9082	1101	" Bearing Cotter Pin.....
27637	362	" Pitman Rod (lower).....
27638	1101	" " " Spring.....
27639	362	" " " (upper).....
9079	362	" " " Clamp with 354c...
354c	1101	" " " " Screw.....
27640	362	Treadle Pitman complete, Nos. 2762, 9079 and 27637 to 27639.....
2878	363	Treadle Stand.....
2762	2642	" Stop Collar with 362F.....
362F	2642	" " " Set Screw.....
27642	—	Treadle complete, Nos. 2878, 9082, 27636 and four wood screws 1 in. No. 16....
27643	—	Treadle and Pitman complete, Nos. 27640 and 27642.....
27644	—	Transmitter complete, Nos. 138E, 356c, 427E, 649E, 1508E, 12178, 27474, 27483, 27485, 27497, 27508, 27509, 27630, 27631, 27633 to 27635, 41338, two 127E and four wood screws 1½ in. No. 16...
27645	—	Under Driver, lever pressure, three speed, right hand (oil controlling pulley) com- plete, Nos. 27070, 27643 and 27644....

UNDER DRIVER

BALL BEARING, LEVER PRESSURE, TWO SPEED, RIGHT HAND

NO.	PLATE	NAME
27750	2640	Cone Pulley (grooved) two speed, 3¾ in. and 5¼ in. diam., with 878D and 12459
25303	2641	Cone Pulley Ball, size ¼ in.per 100

UNDER DRIVER

NO.	PLATE	NAME
27753	2641	Cone Pulley Ball Bearing Adjusting Ring
1143c	2641	“ “ “ “ “ “
		Set Screw.....
27795	2641	Cone Pulley Ball Bearing Adjusting Ring
		Set Screw Washer.....per 100
878d	2641	Cone Pulley Oil Hole Stop Screw.....
12459	2641	“ “ “ “ “ “ Washer
		(leather).....per 100
27755	2640	Dress Guard (right hand).....
348c	2642	“ “ Screw.....
2718	2642	“ “ “ Washer.....
27756	2640	Driving Pulley (grooved) 6 in. diam.,
		with 315c, 7958 and 27598.....
27598	—	Driving Pulley Friction Ring (leather)...
7958	2642	“ “ “ “ Stop Pin...
315c	2642	“ “ Set Screw.....
27757	2641	“ “ Shaft.....
25303	2641	“ “ “ Ball, size ¼ in.,
		per 100.....
27751	2641	Driving Pulley Shaft Ball Bearing Collar
27752	2641	“ “ “ “ “ “
		Pin.....
27758	2641	Driving Pulley Shaft Ball Safety Washer
27759	2641	“ “ “ Screw Bearing Ball
		Case (left).....
27760	—	Driving Pulley Shaft Screw Bearing Ball
		Case (left) complete, Nos. 27758, 27759,
		27761 to 27763 and twelve 25303.....
27761	2641	Driving Pulley Shaft Screw Bearing Ball
		Case (left) Friction Stud.....
25303	2641	Driving Pulley Shaft Screw Bearing Ball
		Case (left) Friction Stud Ball, size ¼ in.,
		per 100.....
27762	2641	Driving Pulley Shaft Screw Bearing Ball
		Case (left) Friction Stud Ball Plate....
27763	2641	Driving Pulley Shaft Screw Bearing Ball
		Case (left) Friction Stud Ball Plate
		Washer.....
27754	2641	Driving Pulley Shaft Screw Bearing Ball
		Case (left) Friction Stud Extension Pin
1122c	2641	Driving Pulley Shaft Screw Bearing Ball
		Case (left) Set Screw.....
27764	2641	Driving Pulley Shaft Screw Bearing Ball
		Case (right).....
27765	—	Driving Pulley Shaft Screw Bearing Ball
		Case (right) complete, Nos. 27758,
		27764 and eight 25303.....

UNDER DRIVER

NO.	PLATE	NAME
1122c	2641	Driving Pulley Shaft Screw Bearing Ball
		Case (right) Set Screw.....
27766	2640	Frame with two 1122c.....
27767	2640	Lever with 27768 and two 27878.....
1093c	2642	“ Adjusting Screw.....
1513E	2642	“ “ “ Nut.....
27768	2642	“ Brake (leather) two pieces.....
27878	2642	“ “ Rivet.....
1092E	2642	“ Hinge Screw.....
1507E	2642	“ “ “ Nut.....
27769	2642	“ Spring.....
27070	363	Shaft Driving Pulley (sectional, grooved)
		10 in. diam., 1 $\frac{3}{8}$ in. bore, with two
		597c.....
597c	2642	Shaft Driving Pulley Clamping Screw...
27636	363	Treadle.....
9082	2642	“ Bearing Cotter Pin.....
27637	2640	“ Pitman Rod (lower).....
27638	2642	“ “ “ “ Spring.....
27639	2640	“ “ “ (upper).....
9079	2640	“ “ “ Clamp with 354c...
354c	2642	“ “ “ “ Screw.....
27640	2640	Treadle Pitman complete, Nos. 2762, 9079
		and 27637 to 27639.....
2878	363	Treadle Stand.....
2762	2642	“ Stop Collar with 362F.....
362F	2642	“ “ “ Set Screw.....
27642	—	Treadle complete, Nos. 2878, 9082, 27636
		and four wood screws 1 in. No. 16.....
27643	—	Treadle and Pitman complete, Nos. 27640
		and 27642.....
27770	—	Transmitter complete, Nos. 348c, 1092E,
		1093c, 1507E, 1513E, 2718, 27750 to
		27752, 27754 to 27757, 27760, 27765 to
		27767, 27769, two each 1143c, 27753,
		27795, three wood screws 2 in. No. 16
		and twenty-two 25303.....
27771	—	Under Driver (ball bearing) lever pressure,
		two speed, right hand, complete, Nos.
		27070, 27643 and 27770.....

OBSOLETE PARTS

NO.	PLATE	NAME
37572	6717	Feed Dog for 85-10 Machine.....
37552	—	Feed Rock Shaft complete for 85-2 Machine, Nos. 37553 and 42019.....
37553	6727	Feed Rock Shaft Crank with 157E, for 37552.....
37589	6722	Guide for 85-10 Machine.....
37592	6722	Hook Guard for 85-10 Machine.....
37538	6722	Presser Bar Lifter and Guide Bracket with 1454D, for 85-1 and 85-2 Machines, use 37565.....
37599	6717	Presser Foot for 85-10 Machine.....
37612	6717	Throat Plate for 37572.....

NUMERICAL LIST OF PARTS

NO.	PLATE	NAME
35c	6730	Feed Lifting Cam Gear Screw for 85-10 Machine.....
127E	6730	Under Driver Oil Cup Screw for 27644..
138E	1101	“ “ Dress Guard Screw for 27644.....
155c	6730	Thread Unwinder Spool Pin Set Screw for 41527 and 41531.....
157E	6718	Feed Rock Shaft Crank Clamping Screw for 37553 and 42021.....
157D	6718	Frame Top Cover Screw (right).....
171D	6720	Feed Lifting Cam Screw for 85-10 Machine
171F	6720	Hook Slide Lever Driving Arm Crank Connection Guide Screw.....
171F	6720	Needle Bar Connecting Rod Guide Screw
187D	6721	“ “ “ Bracket Clamping Screw for 37596.....
190D	6730	Feed Dog Screw.....
190c	6730	Hook Slide Rock Shaft Driving Lever Extension Screw (upper) for 37528....
190D	6730	Presser Foot Screw.....
193F	6713	Chaining-off Finger Screw for 85-1 and 85-2 Machines.....
193F	6713	Frame Side Cover Screw.....
193F	6713	Guide Screw.....
193F	6713	Hemmer Screw for 36109.....
193F	6713	Hook Slide Rock Shaft Driving Lever Ball Stud Set Screw.....
193F	6713	Hook Stripper Screw for 85-2 Machine...
193F	6713	Needle Guard Screw for 85-1 and 85-2 Machines.....
197F	6730	Needle Guard Screw for 85-10 Machine..
197D	6714	Presser Foot Extension Screw for 37629..
203F	6719	Guide Smoothing Plate Screw for 37544..
203c	6719	Hook Slide Rock Shaft Driving Lever Extension Screw (lower) for 37528....
203D	6715	Presser Foot Extension Screw for 37558 and 37567.....
208E	6730	Thread Unwinder Thread Guard Screw for 41630 and 41631.....
217F	6730	Chaining-off Finger Screw for 85-10 Machine.....

NO.	PLATE	NAME
217F	6730	Feed Lifting Gear Cover Screw for 85-10 Machine.....
217F	6728	Thread Carrier Shaft Crank Set Screw for 37605.....
217F	6728	Thread Carrier Spring Adjusting Collar Set Screw for 37607.....
217F	6728	Thread Nipper Spring Screw for 85-10 Machine.....
223F	6719	Hook Slide Connecting Link Hinge Pin Set Screw for 37519.....
223F	6719	Needle Bar Connecting Link Hinge Pin Set Screw (upper) for 37596.....
229D	6730	Cloth Plate Extension Screw for 37505..
229D	6730	Latch Opener Screw for 85-10 Machine..
233D	6718	Feed Regulator Stop Screw for 42014....
236D	6730	Cloth Plate Lock Spring Screw for 37505.
236F	6730	Throat Plate Guard Screw for 85-10 Machine.....
315c	2642	Under Driver Driving Pulley Set Screw for 27756.....
348c	2642	Under Driver Dress Guard Screw for 27770.....
354c	1101	Under Driver Treadle Pitman Rod Clamp Screw for 9079.....
356c	6730	Rock Shaft Knee Arm Hub Set Screw for 2766.....
356c	6730	Rock Shaft Knee Plate Set Screw for 2767.....
356c	6730	Rock Shaft Lifting Bracket Hook Set Screw for 6337.....
356c	6730	Rock Shaft Lifting Bracket Set Screw for 6337.....
356c	6730	Rock Shaft Stop Dog Set Screw for 2770.
356c	6730	Under Driver Driving Pulley Hollow Stud Set Screw for 27644.....
362F	2642	Under Driver Treadle Stop Collar Set Screw for 2762.....
378c	6720	Hook Slide Lever Connecting Link Hinge Screw.....
400c	6723	Presser Bar Lifter and Guide Bracket Adjusting Screw for 37565.....
423c	6730	Balance Wheel Set Screw for 37502.....
427E	1101	Under Driver Lever Centre Plug Adjusting Screw for 27644.....
433c	1101	Under Driver Driving Pulley Screw Centre Bearing for 27630.....

NO.	PLATE	NAME
452c	6727	Hook Slide Rock Shaft Cam Set Screw for 37595.....
453c	6713	Feed Eccentric Set Screw for 37509.....
453c	6713	Hook Slide Rock Shaft Cam Set Screw for 37526.....
453c	6713	Thread Unwinder Thread Guard Rod Set Screw for 27940.....
456c	6730	Thread Unwinder Thread Guard Rod Coupling Set Screw for 41639.....
464F	6719	Hook Slide Guide (upper) Adjusting Screw for 37525.....
465c	6724	Feed Lifting Cam Set Screw for 37549...
465c	6724	" " Gear (large) Set Screw for 37577.....
474E	6731	Machine Base Thumb Screw for 85-10 Machine (Accessories).....
597c	2642	Under Driver Shaft Driving Pulley Clamping Screw for 27070.....
624c	6730	Needle Bar Bushing Set Screw for 37501 and 37568.....
646F	6730	Thread Nipper Lever Hinge Screw for 85-10 Machine.....
649E	6730	Under Driver Belt Guard Screw for 27644
704c	6719	Hook Guard Screw.....
704c	6719	Thread Carrier Cam Screw for 85-10 Machine.....
738D	6730	Thread Carrier Spring Screw for 85-10 Machine.....
742F	6730	Frame Top Cover Screw (left).....
742F	6730	Throat Plate Screw.....
878D	2641	Under Driver Cone Pulley Oil Hole Stop Screw for 27750.....
904c	6723	Needle Bar Connecting Link Hinge Pin Set Screw (lower) for 37597 and 42104.
916F	6723	Tension Screw Stud for 85-1 and 85-2 Machines.....
916F	6723	Tension (needle thread) Screw Stud for 85-10 Machine.....
916F	6723	Tension (thread carrier) Screw Stud for 85-10 Machine.....
935D	6730	Machine Cushion Screw for 42086.....
949E	6730	Arm Screw.....
1012E	6713	Feed Regulator Connection Adjusting Screw for 37550 and 42015.....
1036c	6718	Feed Lifting Lever Hinge Stud Set Screw for 85-10 Machine.....

NO.	PLATE	NAME
1036c	6718	Feed Rock Shaft Hinge Pin Bushing Set Screw.....
1036c	6718	Frame Rotary Shaft Bushing (front) Set Screw.....
1036c	6718	Frame Rotary Shaft Flanged Bushing (back) Set Screw.....
1036c	6718	Hook Slide Rock Shaft Driving Lever Hinge Stud Set Screw.....
1048c	6730	Feed Bar Connection Hinge Screw for 85-10 Machine.....
1057E	6713	Feed Connecting Rod Cap Screw for 37506
1057E	6713	Hook Slide Lever Driving Arm Crank Connection Cap (lower) Screw for 42075.....
1057E	6713	Hook Slide Lever Driving Arm Crank Connection Cap (upper) Screw for 42075.....
1057E	6713	Hook Slide Rock Shaft Crank Clamping Screw for 37527.....
1057E	6721	Needle Bar Connecting Rod Cap (lower) Screw for 37533.....
1057E	6721	Needle Bar Connecting Rod Cap (upper) Screw for 37533.....
1092E	2642	Under Driver Lever Hinge Screw for 27770.....
1093c	2642	Under Driver Lever Adjusting Screw for 27770.....
1101c	6730	Needle Guard Holder Screw for 85-1 and 85-2 Machines.....
1122c	2641	Under Driver Driving Pulley Shaft Screw Bearing Ball Case (left) Set Screw for 27766.....
1122c	2641	Under Driver Driving Pulley Shaft Screw Bearing Ball Case (right) Set Screw for 27766.....
1143c	2641	Under Driver Cone Pulley Ball Bearing Adjusting Ring Set Screw for 27770...
1148c	6730	Feed Lifting Gear Stud Set Screw for 85-10 Machine.....
1148F	6730	Lifting Lever Stop Screw for 37562, 37564, 37616 and 37617.....
1149c	6730	Thread Unwinder Spool Rest Set Screw for 41527 and 41531.....
1182D	6719	Hook Slide Guide (lower) Screw for 37525.....
1182D	6719	Hook Slide Guide (upper) Screw for 37525.....

NO.	PLATE	NAME
1186D	6734	Lifting Lever Bracket Screw for 37562, 37564, 37616 and 37617.....
1210E	6730	Pressure Regulating Thumb Screw.....
1253c	6713	Feed Bar Hinge Pin Set Screw for 37545, 37547 and 37570.....
1253c	6713	Feed Lifting Eccentric Set Screw for 37510
1253F	6713	Thread Carrier Set Screw for 37603.....
1255D	6720	Hook Slide Lever Driving Arm Clamping Screw for 37523.....
1258c	6721	Needle Bar Crank (back) Set Screw for 42103.....
1258c	6723	Needle Bar Crank (front) Set Screw for 37597 and 42104.....
1259c	6718	Feed Regulator Set Screw for 42014.....
1259c	6718	Frame Rotary Shaft Crank Set Screw for 37513 and 42025.....
1259c	6720	Hook Slide Lever Driving Arm Crank Ball Stud Set Screw for 37524.....
1259c	6718	Hook Slide Lever Driving Arm Crank Hinge Pin Bushing Set Screw.....
1259c	6721	Hook Slide Lever Hinge Stud Set Screw..
1259c	6721	Needle Bar Crank (back) Ball Stud Set Screw for 42103.....
1259c	6721	Needle Bar Crank (back) Position Screw for 42103.....
1259c	6723	Needle Bar Crank (front) Position Screw for 37597 and 42104.....
1259c	6718	Thread Carrier Shaft Bushing Set Screw for 85-10 Machine.....
1301D	6734	Lifting Lever Hinge Screw for 37562, 37564, 37616 and 37617.....
1354c	6730	Balance Wheel Position Screw for 37502.
1373c	6713	Feed Connecting Rod Hinge Screw.....
1373c	6713	“ Regulator Connection Hinge Screw
1374c	6718	“ Regulating Screw Stud.....
1375c	6718	Frame Rotary Shaft Crank Position Screw for 37513 and 42025.....
1396D	6730	Feed Lifting Cam Gear Bracket Screw for 85-10 Machine.....
1408E	6731	Machine Base Thumb Screw for 85-1 and 85-2 Machines (Accessories).....
1437D	6730	Cloth Plate Hinge Screw.....
1454D	6723	Presser Bar Lifter and Guide Bracket Clamping Screw for 37538 and 37565..
1507E	2642	Under Driver Lever Hinge Screw Nut for 27770.....

NO.	PLATE	NAME
1508E	1101	Under Driver Lever Centre Plug Adjusting Screw Nut for 27644.....
1513E	2642	Under Driver Lever Adjusting Screw Nut for 27770.....
1520E	6713	Feed Connecting Rod Hinge Screw Nut..
1520E	6713	“ Regulator Connection Hinge Screw Nut.....
1520c	6713	Hook Slide Lever Connecting Link Hinge Screw Nut.....
1547D	6730	Lifting Lever Stop Screw Nut for 37562, 37564, 37616 and 37617.....
1555F	6719	Hook Clamping Screw Stud Nut.....
1560c	6723	Tension Regulating Thumb Nut for 85-1 and 85-2 Machines.....
1560c	6723	Tension (needle thread) Regulating Thumb Nut for 85-10 Machine.....
1560c	6723	Tension (thread carrier) Regulating Thumb Nut for 85-10 Machine.....
1629c	6721	Needle Clamping Nut.....
1654c	6730	Feed Lifting Cam Gear Screw Nut for 85-10 Machine.....
1655E	6730	Cloth Plate Hinge Screw Nut.....
1680c	6718	Feed Regulating Screw Stud Nut.....
1819	6728	Thread Nipper Lever Roller and Stud for 37608.....
1820	6728	Thread Carrier Shaft Crank Roller and Stud for 37605.....
1877	6725	Feed Lifting Lever Roller and Screw Stud for 37582.....
2102	6723	Tension Disc for 85-1 and 85-2 Machines.
2102	6723	“ (needle thread) Disc for 85-10 Machine.....
2102	6723	Tension (thread carrier) Disc for 85-10 Machine.....
2718	2642	Under Driver Dress Guard Screw Washer for 27770.....
2762	2642	Under Driver Treadle Stop Collar with 362F, for 27640.....
2763	6735	Rock Shaft for 42143.....
		Nos. 2765 TO 2767 FOR 2768
2765	6735	Rock Shaft Knee Arm.....
2766	6735	“ “ “ “ Hub with 356c....
2767	6735	“ “ “ Plate with 356c.....
2768	—	Rock Shaft Knee Arm complete for 42143, Nos. 2765 to 2767.....
2770	6735	Rock Shaft Stop Dog with 356c, for 42143

NO.	PLATE	NAME
2878	363	Under Driver Treadle Stand for 27642...
4718	6729	Machine Base Cushion (felt) for 42086...
4822	6732	Wrench for 1547 (Accessories).....
4879	6732	Chain Connecting Link for 4885.....
		Nos. 4881 TO 4884 FOR 4885
4881	6735	Treadle.....
4882	6732	“ Shaft.....
4883	6732	“ Spring.....
4884	6735	“ Stand.....
4885	6735	Treadle complete for 37532 and 37616, Nos. 4879, 4881 to 4884 and two wood screws 1 in. No. 16.....
6337	6735	Rock Shaft Lifting Bracket with two 356c, for 42143.....
6439	—	Chain, 36 in. to 45 in., for 37562 and 37616.....
7071	6713	Chaining-off Finger Screw Washer for 85-1 and 85-2 Machines.....
7071	6713	Guide Screw Washer.....
7071	6713	“ Smoothing Plate Screw Washer for 37544.....
7071	6713	Hemmer Screw Washer for 36109.....
7071	6713	Hook Stripper Screw Washer for 85-2 Machine.....
7125	6735	Rock Shaft Lifting Bracket Hook for 42143.....
7958	2642	Under Driver Driving Pulley Friction Ring Stop Pin for 27630 and 27756....
7958	2642	Under Driver Driving Pulley Screw Centre Bearing Dowel Pin for 27630..
8908	6732	Wrench for 1520, 1654 and 1655 (Accessories).....
9079	362	Under Driver Treadle Pitman Rod Clamp with 354c, for 27640.....
9082	1101	Under Driver Treadle Bearing Cotter Pin for 27642.....
9842	6729	Machine Base Thumb Screw Spring Washer for 85-1 and 85-2 Machines (Accessories).....
9842	6729	Machine Base Thumb Screw Washer for 85-10 Machine (Accessories).....
10148	6723	Tension Spring for 85-1 and 85-2 Machines
10148	6723	“ (needle thread) Spring for 85-10 Machine.....
10148	6723	Tension (thread carrier) Spring for 85-10 Machine.....

NO.	PLATE	NAME
11446	6724	Feed Bar Spring Hook for 37511 for 85-2 Machine.....
12178	1101	Under Driver Lever Centre Plug (wood) for 27644.....
12242	6735	Rock Shaft Hanger with two wood screws 1 in. No. 10, for 42143.....
12459	2641	Under Driver Cone Pulley Oil Hole Stop Screw Washer (leather) for 27750, per 100.....
14016	6720	Hook Slide Rock Shaft Driving Lever Ball Stud Block (two pieces).....
14063	6722	Machine Base Thumb Screw Spring for 85-1 and 85-2 Machines (Accessories) ..
16532	6729	Arm Dowel Pin.....
17547	6723	Tension Thread Guide for 85-1 and 85-2 Machines.....
17547	6723	Tension (needle thread) Thread Guide for 85-10 Machine.....
17547	6723	Tension (thread carrier) Thread Guide for 85-10 Machine.....
18172	6723	Thread Eyelet (top of arm) for 85-1 and 85-2 Machines.....
18182	6725	Feed Lifting Cam Gear Bracket Screw Washer for 85-10 Machine.....
25303	2641	Under Driver Cone Pulley Ball, size ¼ in., for 27770..... per 100
25303	2641	Under Driver Driving Pulley Shaft Ball, size ¼ in., for 27760 and 27765... per 100
25303	2641	Under Driver Driving Pulley Shaft Screw Bearing Ball Case (left) Friction Stud Ball, size ¼ in., for 27760..... per 100
26151	6732	Screw Driver, 5 in. blade, ⅜ in. face (Accessories).....
27070	363	Under Driver Shaft Driving Pulley (sectional, grooved) 10 in. diam., 1 ⅜ in. bore, with two 597c, for 27645 and 27771.....
27444	6729	Spool Weight Centre for 27457.....
27457	6732	" " with 27444 and 27458, for 85-10 Machine (Accessories).....
27458	6732	Spool Weight Thread Guide for 27457...
27473	1101	Under Driver Cone Pulley Centre Bearing for 27509.....
27474	363	Under Driver Dress Guard (right hand) for 27644.....
27483	1101	Under Driver Lever Brake Spring for 27644.....

NO.	PLATE	NAME
27485	1101	Under Driver Lever Hinge Pin for 27644.
27497	1101	" " " Brake Strip (leather) for 27644.....
27508	362	Under Driver Belt Guard for 27644.....
27509	362	" " Cone Pulley (grooved) three speed, 2½ in., 3¾ in. and 5¼ in. diam., with 27473, for 27644.....
27574	6724	Feed Bar Spring Hook for 37547.....
27598	—	Under Driver Driving Pulley Friction Ring (leather) for 27630 and 27756....
27600	1101	Under Driver Driving Pulley Hollow Stud Position Stud for 27631.....
27623	2836	Thread Unwinder Spool Pin for 41527 and 41531.....
27630	362	Under Driver Driving Pulley (grooved) 6 in. diam., with 433c, 27598 and two 7958, for 27644.....
27631	1101	Under Driver Driving Pulley Hollow Stud with 27600, for 27644.....
27632	—	Under Driver Driving Pulley Hollow Stud Wick for 27633..... Nos. 27633 to 27635 FOR 27644
27633	—	Under Driver Driving Pulley Hollow Stud Wick Wire with 27632.....
27634	362	Under Driver Frame.....
27635	362	" " Oil Cup.....
27636	363	" " Treadle for 27642..... Nos. 27637 to 27639 FOR 27640
27637	362	Under Driver Treadle Pitman Rod (lower)
27638	1101	" " " " " " " " Spring.....
27639	362	Under Driver Treadle Pitman Rod (upper)
27640	362	Under Driver Treadle Pitman complete for 27643, Nos. 2762, 9079 and 27637 to 27639.....
27642	—	Under Driver Treadle complete for 27643, Nos. 2878, 9082, 27636 and four wood screws 1 in. No. 16.....
27643	—	Under Driver Treadle and Pitman complete for 27645 and 27771, Nos. 27640 and 27642.....
27644	—	Under Driver Transmitter complete for 27645, Nos. 138E, 356c, 427E, 649E, 1508E, 12178, 27474, 27483, 27485, 27497, 27508, 27509, 27630, 27631, 27633 to 27635, 41338, two 127E and four wood screws 1½ in. No. 16.....

NO.	PLATE	NAME
27645	—	Under Driver, lever pressure, three speed, right hand (oil controlling pulley) complete, Nos. 27070, 27643 and 27644. . . .
27739	2836	Thread Unwinder Thread Cone (wood) for 41529 and 41533. Nos. 27750 TO 27757 FOR 27770
27750	2640	Under Driver Cone Pulley (grooved) two speed, 3¾ in. and 5¼ in. diam., with 878D and 12459.
27751	2641	Under Driver Driving Pulley Shaft Ball Bearing Collar.
27752	2641	Under Driver Driving Pulley Shaft Ball Bearing Collar Pin.
27753	2641	Under Driver Cone Pulley Ball Bearing Adjusting Ring.
27754	2641	Under Driver Driving Pulley Shaft Screw Bearing Ball Case (left) Friction Stud Extension Pin.
27755	2640	Under Driver Dress Guard (right hand).
27756	2640	“ “ Driving Pulley (grooved) 6 in. diam., with 315c, 7958 and 27598.
27757	2641	Under Driver Driving Pulley Shaft.
27758	2641	“ “ “ “ “ “ Ball Safety Washer for 27760 and 27765.
27759	2641	Under Driver Driving Pulley Shaft Screw Bearing Ball Case (left) for 27760.
27760	—	Under Driver Driving Pulley Shaft Screw Bearing Ball Case (left) complete for 27770, Nos. 27758, 27759, 27761 to 27763 and twelve 25303. Nos. 27761 TO 27763 FOR 27760
27761	2641	Under Driver Driving Pulley Shaft Screw Bearing Ball Case (left) Friction Stud.
27762	2641	Under Driver Driving Pulley Shaft Screw Bearing Ball Case (left) Friction Stud Ball Plate.
27763	2641	Under Driver Driving Pulley Shaft Screw Bearing Ball Case (left) Friction Stud Ball Plate Washer.
27764	2641	Under Driver Driving Pulley Shaft Screw Bearing Ball Case (right) for 27765. Nos. 27765 TO 27767 FOR 27770
27765	—	Under Driver Driving Pulley Shaft Screw Bearing Ball Case (right) complete, Nos. 27758, 27764 and eight 25303.

NO.	PLATE	NAME
27766	2640	Under Driver Frame with two 1122c.
27767	2640	“ “ Lever with 27768 and two 27878.
27768	2642	Under Driver Lever Brake (leather) two pieces, for 27767.
27769	2642	Under Driver Lever Spring for 27770.
27770	—	Under Driver Transmitter complete for 27771, Nos. 348c, 1092E, 1093c, 1507E, 1513E, 2718, 27750 to 27752, 27754 to 27757, 27760, 27765 to 27767, 27769, two each 1143c, 27753, 27795, three wood screws 2 in. No. 16 and twenty-two 25303.
27771	—	Under Driver (ball bearing) lever pressure, two speed, right hand, complete, Nos. 27070, 27643 and 27770.
27795	2641	Under Driver Cone Pulley Ball Bearing Adjusting Ring Set Screw Washer for 27770. per 100
27878	2642	Under Driver Lever Brake Rivet for 27767
27940	2836	Thread Unwinder Spool Stand with 453c, for 41529 and 41533.
35095	6732	Tweezers, 6 in., for 85-10 Machine (Accessories).
36109	6733	Hemmer on Shank for 85-1 and 85-2 Machines.
36420	6729	Hook Setting Gauge for 85-1 and 85-2 Machines (Accessories).
36558	6729	Hook Setting Gauge for 85-10 Machine (Accessories).
36563	6732	Oiler (copper plated) with 36564 (Accessories).
36564	6732	Oiler Spout, 5 in. long, for 36563.
*37501	—	Arm with two each 624c and 42253, for 85-1 and 85-2 Machines.
37502	6710	Balance Wheel with 423c and 1354c.
37503	6713	Chaining-off Finger for 85-1 Machine.
37504	6711	Cloth Plate for 37505.
37505	—	Cloth Plate complete, Nos. 37504, 42005, 42231, two 236D and three 229D.
37506	6713	Feed Connecting Rod with 37507 and two 1057E.
*37507	—	Feed Connecting Rod Cap for 37506.
37508	6714	“ Dog for 85-1 Machine and for 36109 for the same machine.
37509	6713	Feed Eccentric with two 453c.

NO.	PLATE	NAME
37510	6713	Feed Lifting Eccentric with two 1253c, for 85-1 Machine.....
Nos. 37511 TO 37514 FOR 85-1 AND 85-2 MACHINES		
*37511	—	Frame.....
37512	6710	“ Rotary Shaft.....
37513	6718	“ “ “ Crank with 1259c and 1375c.....
37514	6710	Frame Side Cover.....
37515	6711	“ Top Cover for 85-1 Machine.....
37516	6719	Guide for 37544.....
37517	6719	Hook with Latch for 85-1 and 85-2 Machines..... per 100
37518	6719	Hook Slide for 85-1 and 85-2 Machines...
37519	6719	“ “ Connecting Link with 223F...
37520	6719	“ “ Guide (lower) for 37525.....
37520	6719	“ “ “ (upper) for 37525.....
37521	6719	“ “ Lever.....
37522	6720	“ “ “ Connecting Link for 85-1 and 85-2 Machines.....
37523	6720	Hook Slide Lever Driving Arm with 1255d.....
37524	6720	Hook Slide Lever Driving Arm Crank with 1259c.....
37525	6719	Hook Slide Rock Shaft with two each 464F, 37520 and four 1182d.....
37526	6720	Hook Slide Rock Shaft Cam (steel) with two 453c, for 85-1 and 85-2 Machines..
37527	6720	Hook Slide Rock Shaft Crank (forked) with 1057E.....
37528	6722	Hook Slide Rock Shaft Driving Lever with 190c, 203c and 37529.....
37529	6722	Hook Slide Rock Shaft Driving Lever Extension for 37528.....
37530	6729	Hook Slide Rock Shaft Driving Lever Oil Pad for 37531.....
37531	6729	Hook Slide Rock Shaft Driving Lever Oil Pad Holder with 37530.....
37532	6721	Needle Bar (hollow).....
37533	6721	“ “ Connecting Rod with 42059, 42076 and four 1057E.....

Nos. 37534 TO 37536 FOR 85-1 AND 85-2 MACHINES

37534	6721	Needle Bar Crank (back) Ball Stud....
37535	6723	“ Guard.....
37536	6723	“ “ Holder.....
37537	6723	Presser Bar (hollow).....

NO.	PLATE	NAME
37538	6722	Presser Bar Lifter and Guide Bracket with 1454d, for 85-1 and 85-2 Machines, obsolete, use 37565.....
37539	6723	Presser Bar Spring.....
Nos. 37540 TO 37542 FOR 37508		
37540	6714	Presser Foot (narrow).....
37541	6714	“ “ (wide).....
37542	6714	Throat Plate.....
37543	6719	Hook Guard for 85-1 and 85-2 Machines.
37544	—	Guide 37516 with 203F, 7071 and 42237, for 85-1 and 85-2 Machines.....
37545	6713	Feed Bar with 1253c, for 85-1 Machine..
37546	6724	Chaining-off Finger for 85-2 Machine...
37547	6724	Feed Bar with 1253c and 27574, for 85-2 Machine.....
37548	6715	Feed Dog for 85-2 Machine and for 36109 for the same machine.....
37549	6724	Feed Lifting Cam with two 465c, for 85-2 Machine.....
37550	6724	Feed Regulator Connection with 1012E, for 85-2 and 85-10 Machines.....
37551	6724	Feed Regulator Stop for 85-2 and 85-10 Machines.....
37552	—	Feed Rock Shaft complete for 85-10 Machine and obsolete for 85-2 Machine, Nos. 37553 and 42019.....
37553	6727	Feed Rock Shaft Crank with 157E, for 37552.....
37554	6712	Frame Top Cover for 85-2 Machine.....
37555	6724	Hook Stripper for 85-2 Machine.....
37556	—	Presser Foot for 37558.....
37557	6715	“ “ Extension for 37558 and 37567.....
37558	6715	Presser Foot complete for 37548 for 36109, Nos. 203d, 37556 and 37557....
37559	6715	Throat Plate for 37548.....
37560	6734	Lifting Lever for 37562, 37564, 37616 and 37617.....
37561	6734	Lifting Lever Bracket for 37562 and 37564.....
37562	—	Foot Lifter complete for 85-1 and 85-2 Machines, Nos. 1148F, 1301d, 1547d, 4885, 6439, 37560, 37561, 42132 and two 1186d.....
37563	—	Chain, length 15 inches, for 37564 and 37617.....

NO.	PLATE	NAME
37564	—	Knee Lifter complete for 85-1 and 85-2 Machines, Nos. 1148F, 1301D, 1547D, 37560, 37561, 37563, 42132, 42143 and two 1186D.
37565	6723	Presser Bar Lifter and Guide Bracket with 400C and 1454D.
37566	—	Presser Foot for 37567.
37567	6715	Presser Foot complete, for general work, for 85-2 Machine, Nos. 203D, 37557 and 37566.
Nos. 37568 TO 37595 FOR 85-10 MACHINE		
*37568	—	Arm with two each 624C and 42253.
37569	6716	Chaining-off Finger, for narrow bight.
37570	6724	Feed Bar with 1253C.
37571	6725	" " Connection.
37572	6717	" Dog, obsolete.
37573	6716	" " for flannelette.
37574	6726	" Lifting Cam, for six stitches.
37575	6726	" " " Gear for 37574, 37621 and 37622.
37576	6725	Feed Lifting Cam Gear Bracket.
37577	6726	" " Gear (large) with 465C, for 37578.
37578	—	Feed Lifting Gear (large) 37577 with 37579.
37579	6726	Feed Lifting Gear (small) for 37578.
37580	6725	" " " Cover.
37581	6725	" " " Stud.
37582	6725	" " " Lever with 1877.
37583	6725	" " " Hinge Stud.
37584	6725	" " " Spring.
*37585	—	Frame.
37586	6710	" Rotary Shaft.
37587	6710	" Side Cover.
37588	6712	" Top Cover.
37589	6722	Guide, obsolete.
37590	6727	" for 37573.
37591	6727	Hook with Latch.....per 100
37592	6722	" Guard, obsolete.
37593	6727	" Slide.
37594	6727	" " Lever Connecting Link.
37595	6727	" " Rock Shaft Cam (steel) with two 452C.
37596	6721	Needle Bar Connecting Bracket with 187D and 223F.

NO.	PLATE	NAME
Nos. 37597 TO 37633 FOR 85-10 MACHINE		
37597	6727	Needle Bar Crank (front) with 904C, 1258C and 1259C.
37598	6727	Needle Guard.
37599	6717	Presser Foot, obsolete.
37600	6714	" " for 37573.
37601	6728	Thread Carrier.
37602	6728	" " Cam.
37603	6728	" " Shaft with 1253F.
37604	6728	" " " Bushing.
37605	6728	" " " Crank with 217F and 1820.
37606	6728	Thread Carrier Spring.
37607	6728	" " " Adjusting Collar with 217F.
37608	6728	Thread Nipper Lever with 1819.
37609	6728	" " " Spring.
37610	6728	" " Spring (flat) for 37568.
37611	6728	" " " " " 37608.
37612	6717	Throat Plate for 37572, obsolete.
37613	6716	" " " 37573.
37614	6716	" " Guard for 37613.
37615	6734	Lifting Lever Bracket for 37616 and 37617.
37616	—	Foot Lifter complete, Nos. 1148F, 1301D, 1547D, 4885, 6439, 37560, 37615, 42132 and two 1186D.
37617	—	Knee Lifter complete, Nos. 1148F, 1301D, 1547D, 37560, 37563, 37615, 42132, 42143 and two 1186D.
37618	6728	Thread Eyelet (double) top of arm.
37619	6716	Chaining-off Finger, for wide bight.
37620	6716	Feed Dog, for knit goods.
37621	6726	" Lifting Cam, for two stitches.
37622	6726	" " " " three stitches.
37623	6726	" " " " four stitches.
37624	6726	" " " " eight stitches.
37625	6726	" " " Gear for 37623 and 37624.
37626	6727	Guide for 37620.
37627	—	Presser Foot Body for 37629.
37628	6714	" " Extension for 37629.
37629	6714	Presser Foot complete for 37620, Nos. 197D, 37627 and 37628.
37630	6716	Throat Plate for 37620.
37631	6716	" " Guard for 37630.

NO.	PLATE	NAME
37632	6727	Hook Guard.....
37633	6727	Latch Opener.....
38442	6720	Hook Slide Rock Shaft Driving Lever Ball Stud.....
39303	6724	Feed Bar Spring for 85-2 Machine.....
40247	6719	Hook Slide Connecting Link Hinge Pin..
40247	6719	Needle Bar Connecting Link Hinge Pin..
40326	6729	Frame Rotary Shaft Flanged Bushing (back) Oil Pad (braided cotton).....
41338	362	Under Driver Lever for 27644.....
41514	2836	Thread Unwinder Spool Weight, 4 in. diam., with 41515, for 41529 and 41533
41515	6729	Thread Unwinder Spool Weight Centre Pin for 41514.....
41526	2836	Thread Unwinder Spool Rest for 41527..
41527	—	“ “ “ “ 41526 with 155c, 1149c and 27623, for 41529....
41529	2836	Thread Unwinder complete, for one large spool or one large cone of thread, for 85-1 and 85-2 Machines, Nos. 27739, 27940, 41514, 41527, 41630, 41640 and three wood screws 1 in. No. 12.....
41530	2837	Thread Unwinder Spool Rest for 41531..
41531	—	“ “ “ “ 41530 with 1149c and two each 155c and 27623, for 41533.....
41533	2837	Thread Unwinder complete, for two large spools or two large cones of thread, for 85-10 Machine, Nos. 27940, 41531, 41631, 41640, two each 27739, 41514 and three wood screws 1 in. No. 12....
41544	6718	Feed Regulating Screw Stud Washer....
41569	6729	Thread Unwinder Thread Guard Eyelet for 41630 and 41631.....
41630	2836	Thread Unwinder Thread Guard with 208E and 41569, for 41529.....
41631	2837	Thread Unwinder Thread Guard with 208E and two 41569, for 41533.....
		Nos. 41637 to 41639 for 41640
41637	2836	Thread Unwinder Thread Guard Rod (lower).....
41638	2836	Thread Unwinder Thread Guard Rod (upper).....
41639	2836	Thread Unwinder Thread Guard Rod Coupling with two 456c.....

NO.	PLATE	NAME
41640	—	Thread Unwinder Thread Guard Rod complete, 30 in. long, for 41529 and 41533, Nos. 41637 to 41639.....
42005	6713	Cloth Plate Lock Spring for 37505.....
42007	6713	Feed Bar Hinge Pin.....
42013	6713	“ Lifting Eccentric Connection for 85-1 Machine.....
42014	6718	Feed Regulator with 233b and two 1259c.
42015	6713	“ “ Connection with 1012E, for 85-1 Machine.....
42016	6718	Feed Regulator Hinge Stud.....
42019	6718	“ Rock Shaft for 37552 and 42020....
42020	—	Feed Rock Shaft complete for 85-1 and 85-2 Machines, Nos. 42019 and 42021..
42021	6718	Feed Rock Shaft Crank with 157E, for 42020.....
42024	6710	Frame Rotary Shaft Bushing (front)....
42025	6727	“ “ “ Crank with 1259c and 1375c, for 85-10 Machine.....
42026	6710	Frame Rotary Shaft Flanged Bushing (back).....
42045	6719	Hook Slide Rock Shaft Driving Lever Hinge Stud.....
42053	6721	Hook Slide Lever Hinge Stud.....
42055	6721	Needle Bar Connecting Link.....
*42059	—	Hook Slide Lever Driving Arm Crank Connection Cap (upper) for 42075.....
*42059	—	Needle Bar Connecting Rod Cap (upper) for 37533.....
42074	6727	Needle Bar Crank (back) Ball Stud for 85-10 Machine.....
42075	6720	Hook Slide Lever Driving Arm Crank Connection with 42059, 42076 and four 1057E.....
*42076	—	Hook Slide Lever Driving Arm Crank Connection Cap (lower) for 42075....
*42076	—	Needle Bar Connecting Rod Cap (lower) for 37533.....
42077	6720	Hook Slide Lever Driving Arm Crank Connection Guide.....
42077	6720	Needle Bar Connecting Rod Guide.....
42078	6720	Hook Slide Lever Driving Arm Crank Hinge Pin.....
42079	6718	Feed Rock Shaft Hinge Pin Bushing..
42079	6718	Hook Slide Lever Driving Arm Crank Hinge Pin Bushing.....

NO.	PLATE	NAME
42086	6735	Machine Base with three wood screws 1/4 in. No. 12 and four each 935d, 4718 and 42088.....
42088	6729	Machine Cushion (felt) for 42086.....
42089	6732	Wrench for 1374 and 1629 (Accessories)...
42098	6718	Feed Rock Shaft Hinge Pin.....
42103	6721	Needle Bar Crank (back) with 1258c and two 1259c.....
42104	6723	Needle Bar Crank (front) with 904c, 1258c and 1259c, for 85-1 and 85-2 Machines.....
42105	6721	Needle Bar Crank Shaft.....
42126	6728	Thread Pull-off for 85-10 Machine.....
42132	6734	Lifting Lever Spring for 37562, 37564, 37616 and 37617.....
42143	6735	Rock Shaft complete for 37564 and 37617, Nos. 2763, 2768, 6337, 7125 and two each 2770 and 12242.....
42221	6720	Hook Slide Lever Driving Arm Crank Ball Stud.....
42231	6711	Cloth Plate Extension for 37505.....
42237	6719	Guide Smoothing Plate for 37544.....
42253	6721	Needle Bar Bushing for 37501 and 37568
50072E	6719	Hook Clamping Screw Stud.....
54648	6729	Frame Rotary Shaft Oil Pad (braided cotton).....

SINGER Needles should be used
in SINGER Machines
These Needles and their Containers
are marked with the
Company's Trade Mark "SIMANCO.**" 1

Needles in Containers marked
"FOR SINGER MACHINES"
are NOT SINGER made needles. 2

PLATE 363—ONE-FOURTH SIZE

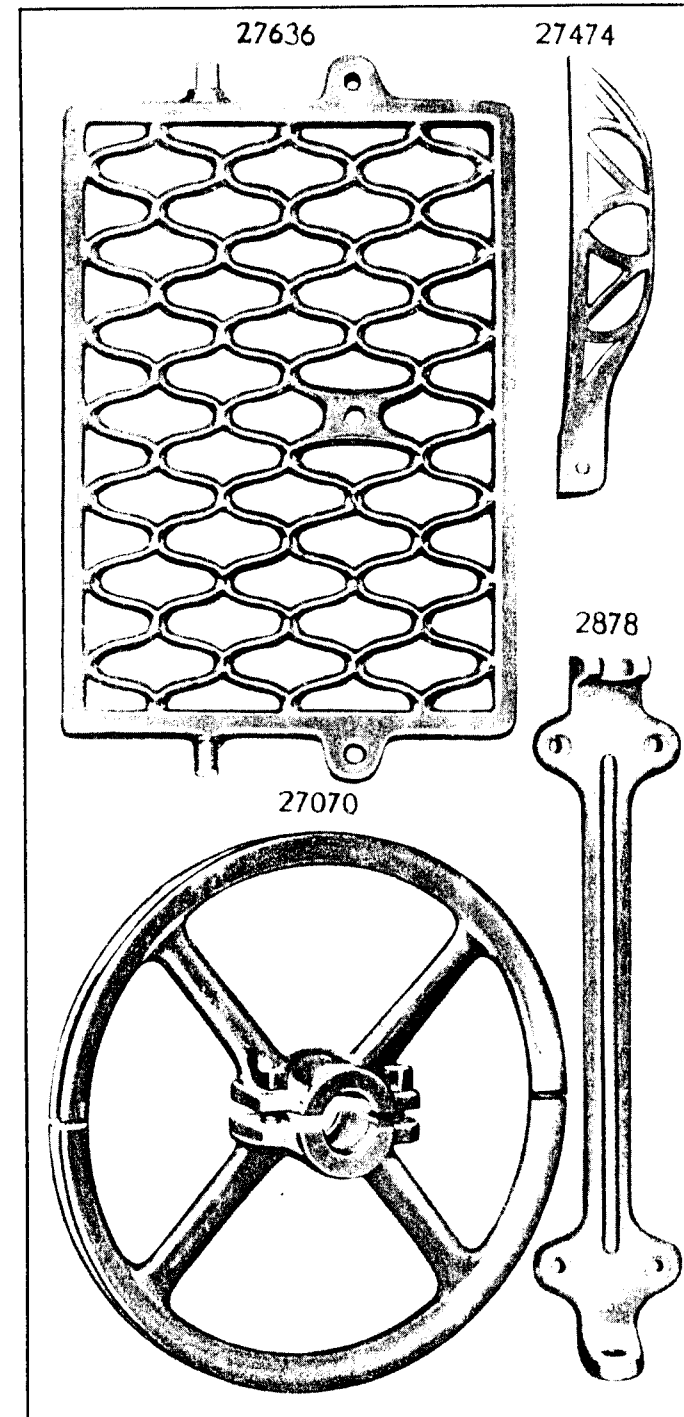


PLATE 362—ONE-FOURTH SIZE

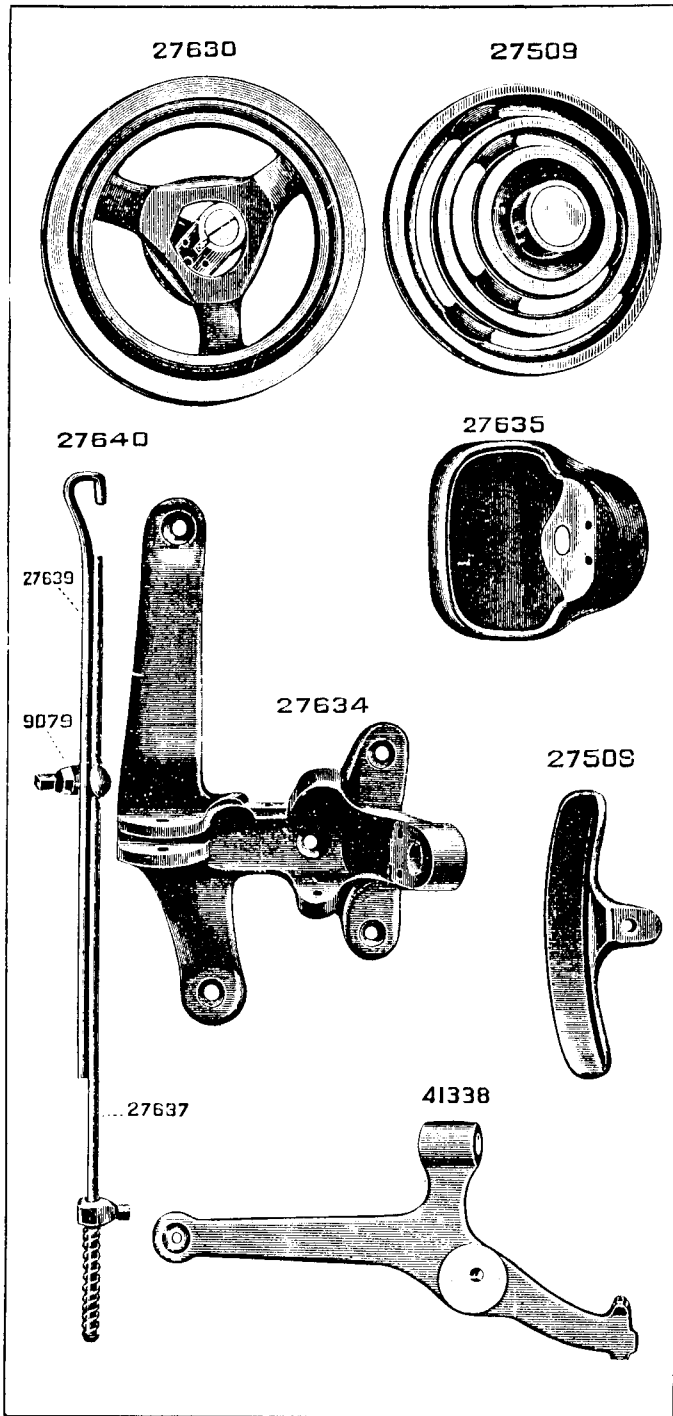


PLATE 1101—FULL SIZE

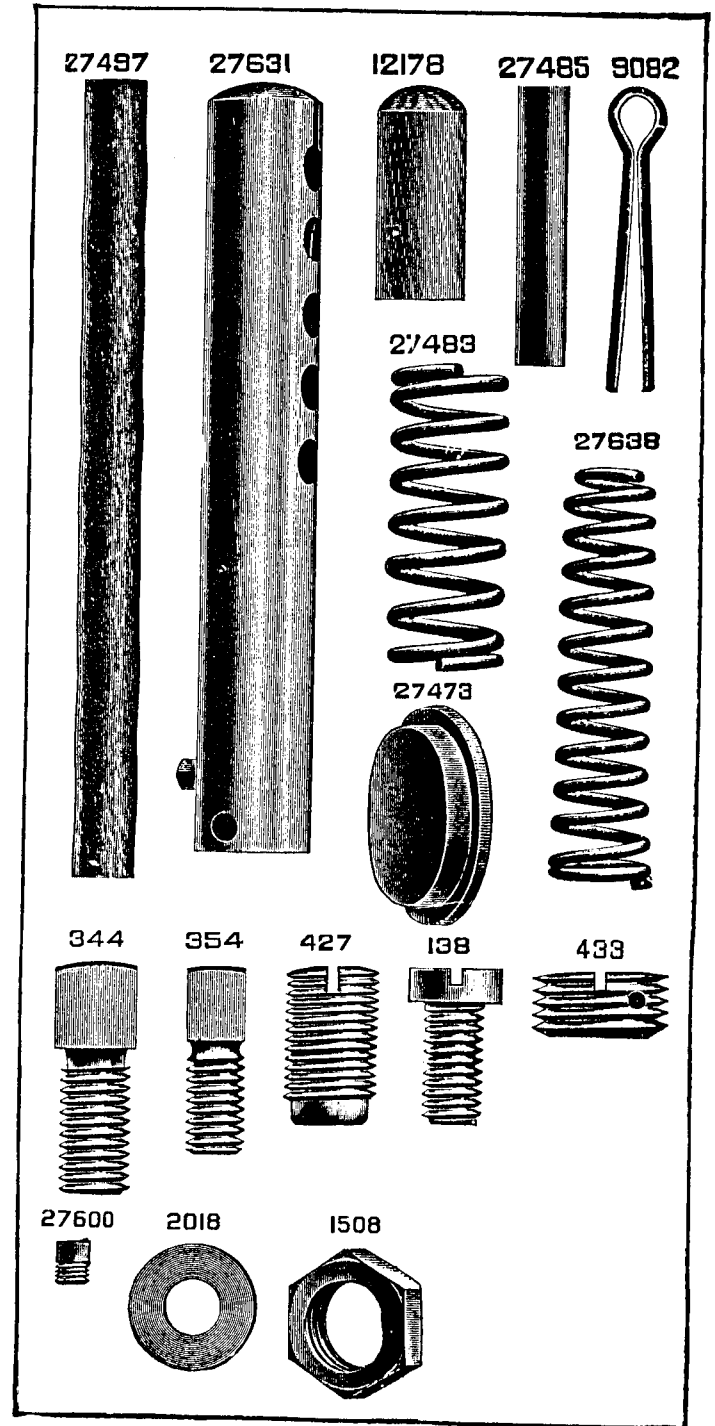


PLATE 2640—ONE-FOURTH SIZE

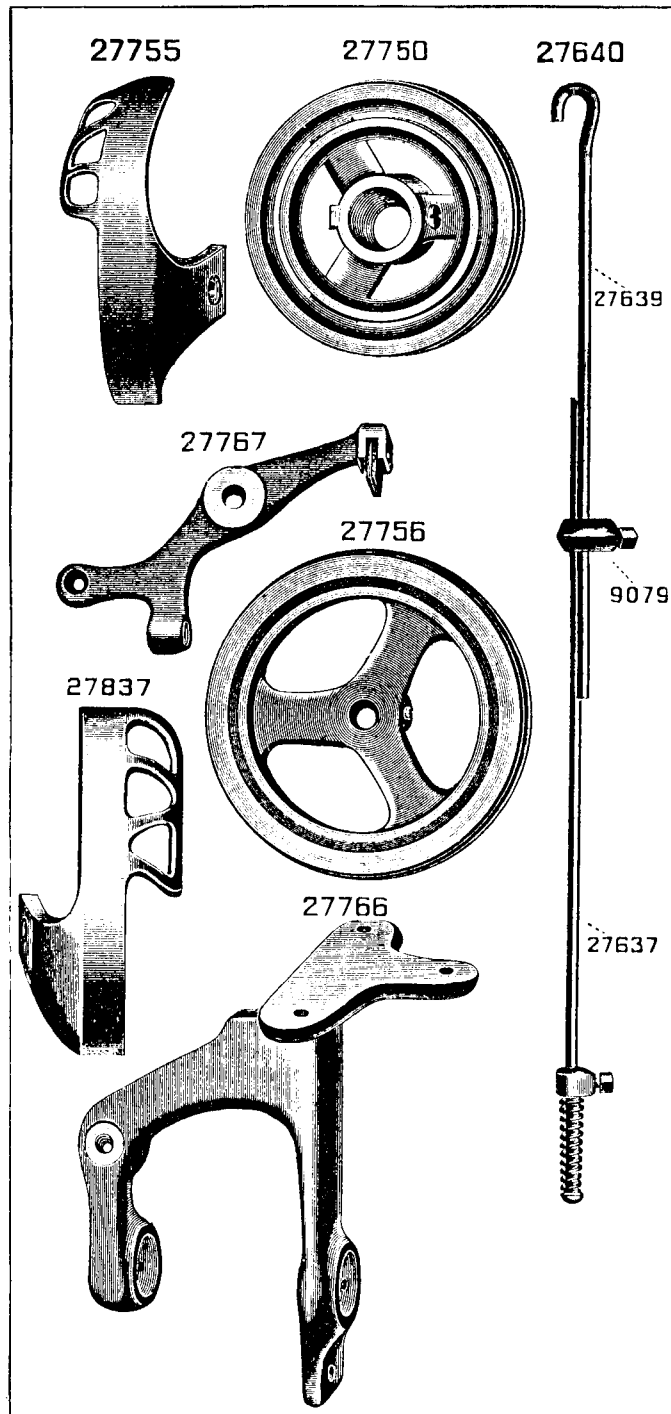


PLATE 2641—FULL SIZE

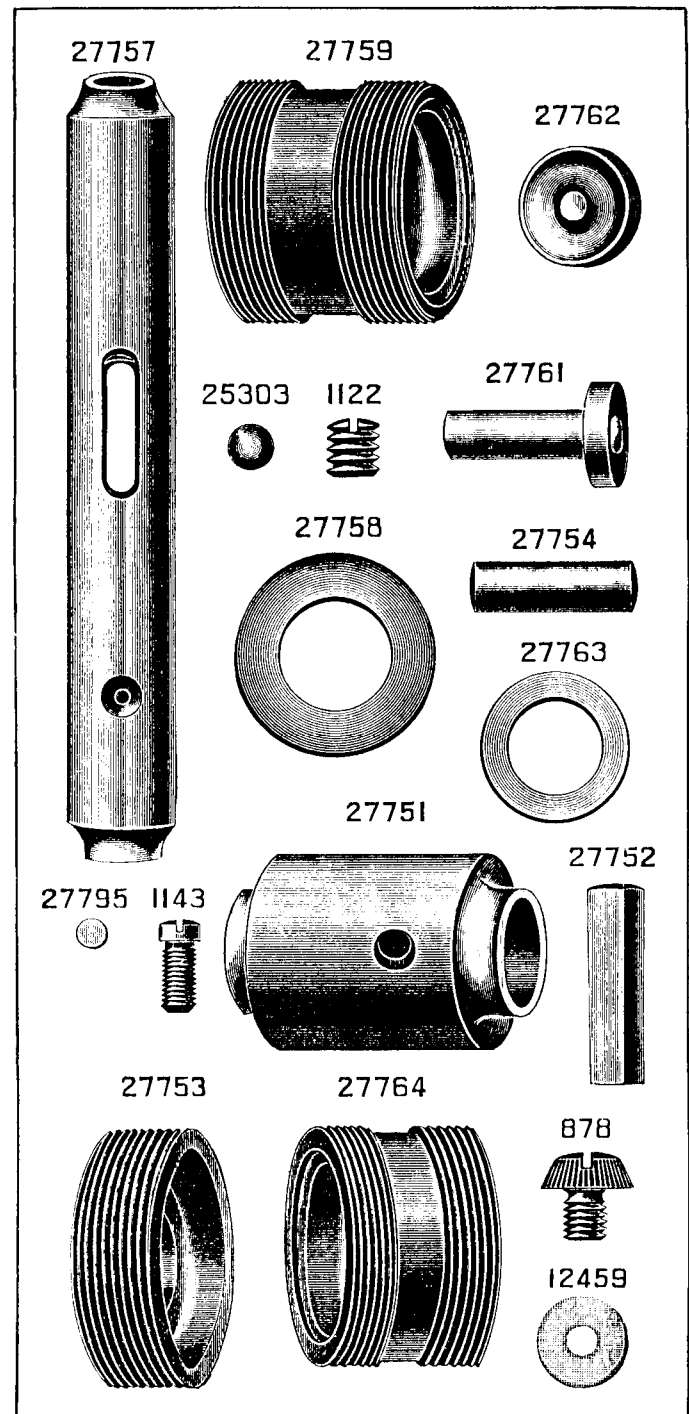


PLATE 2642—FULL SIZE

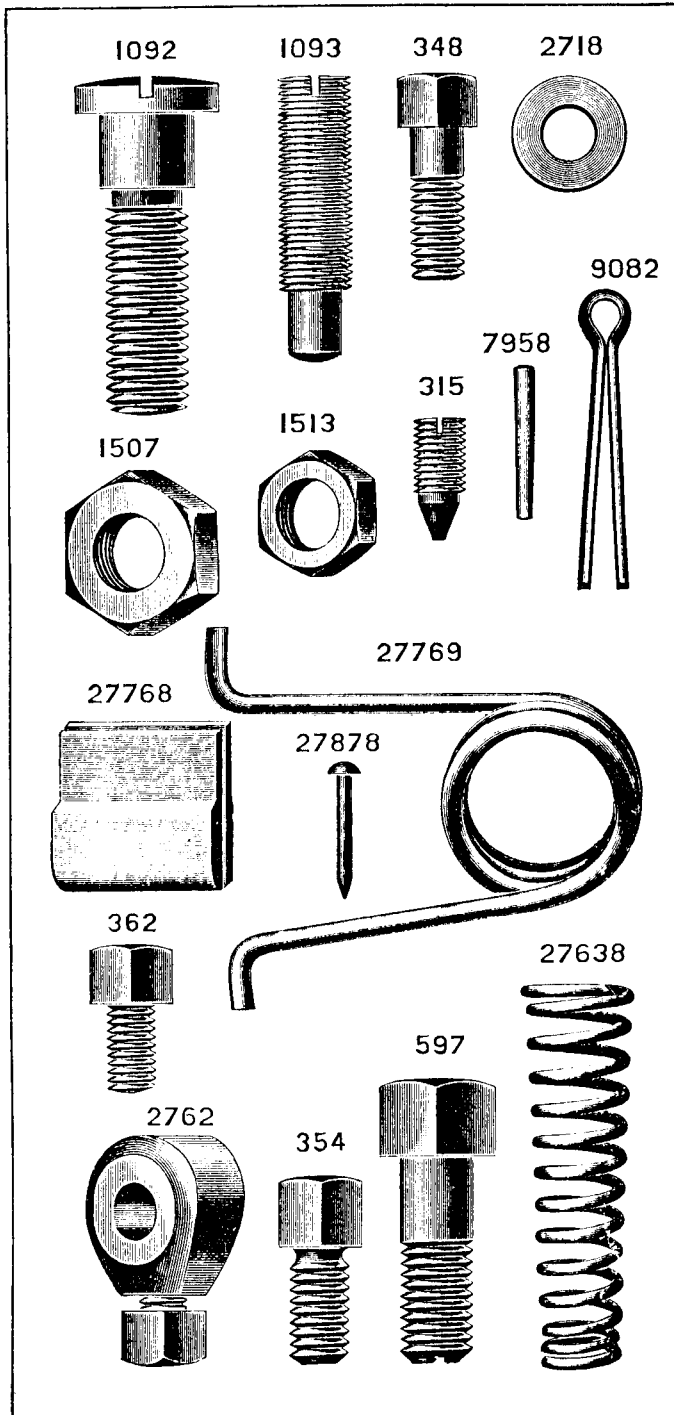


PLATE 2836—ONE-FOURTH SIZE

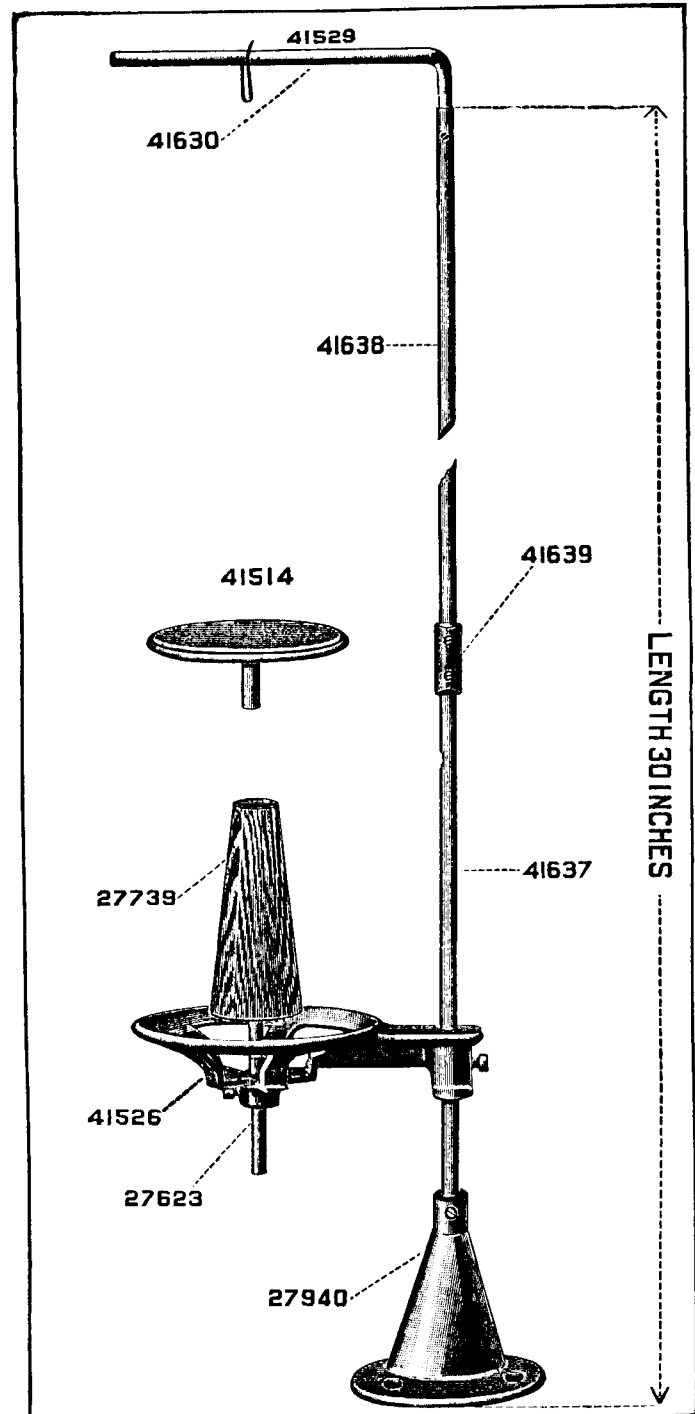


PLATE 2837—ONE-FOURTH SIZE

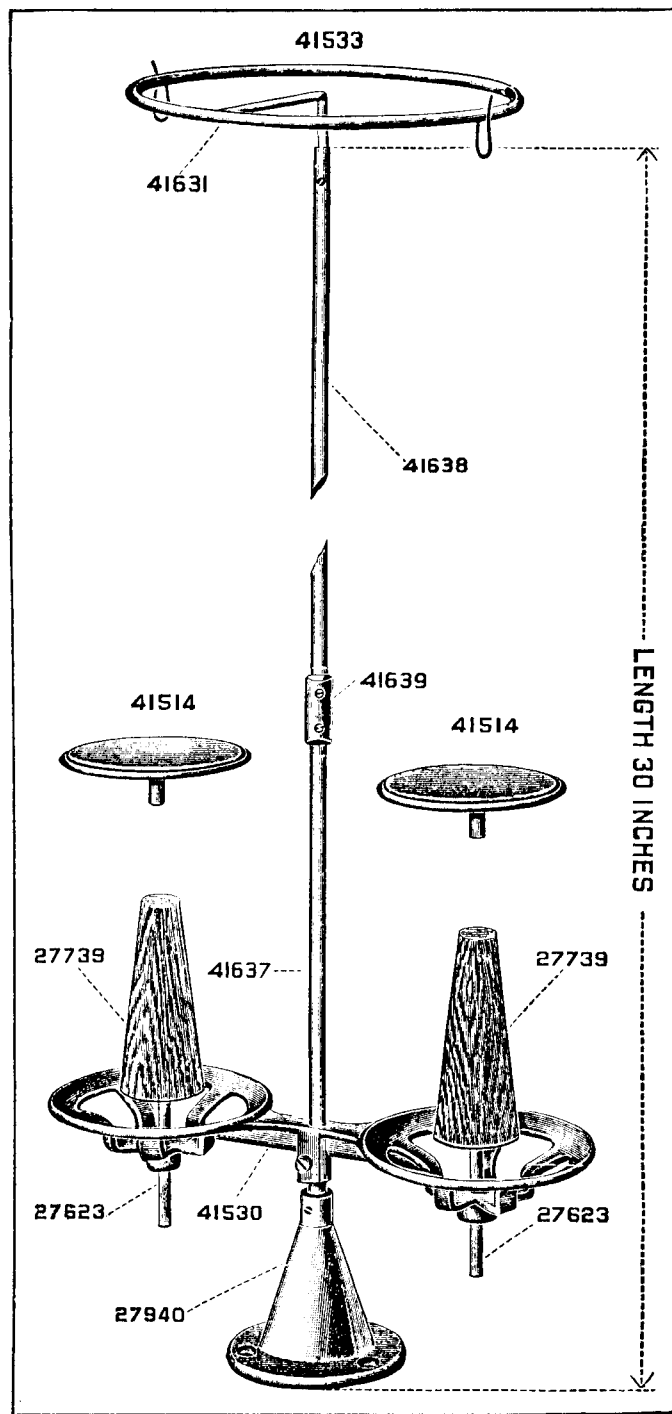


PLATE 6710—ONE-HALF SIZE

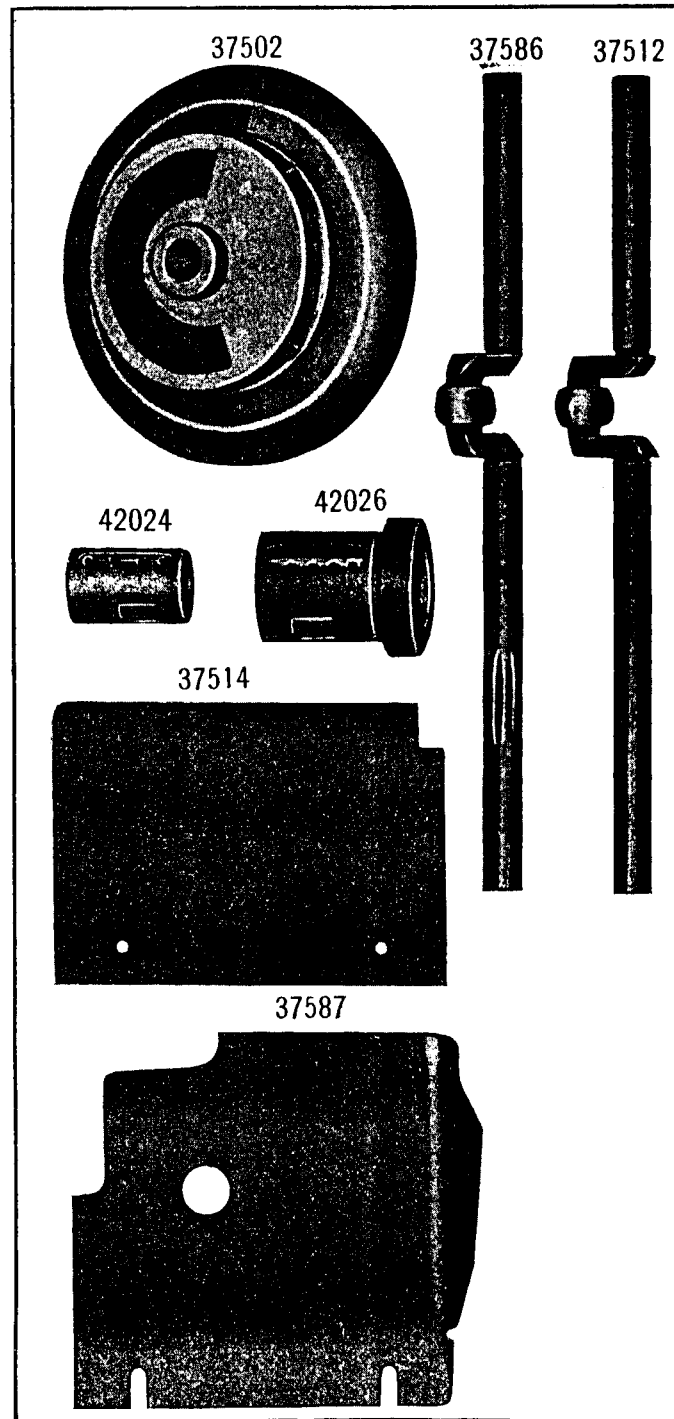
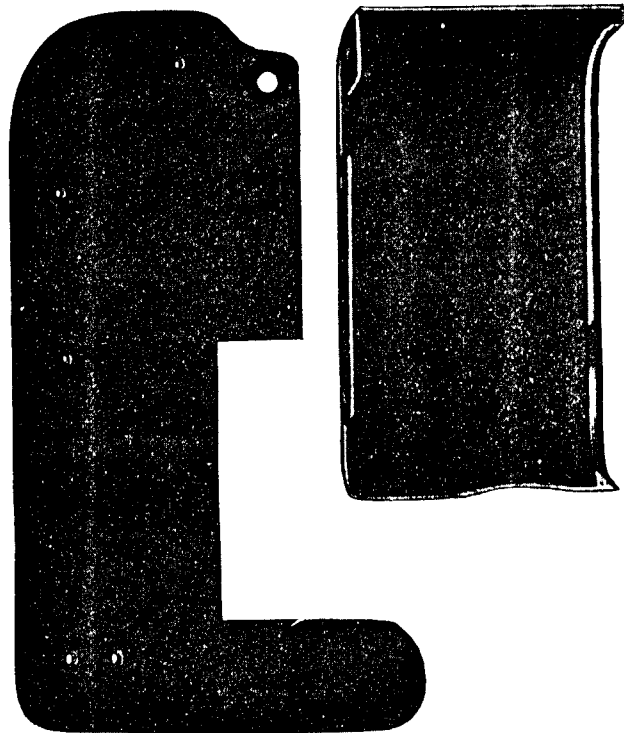


PLATE 6711—ONE-HALF SIZE

37504

42231



37515

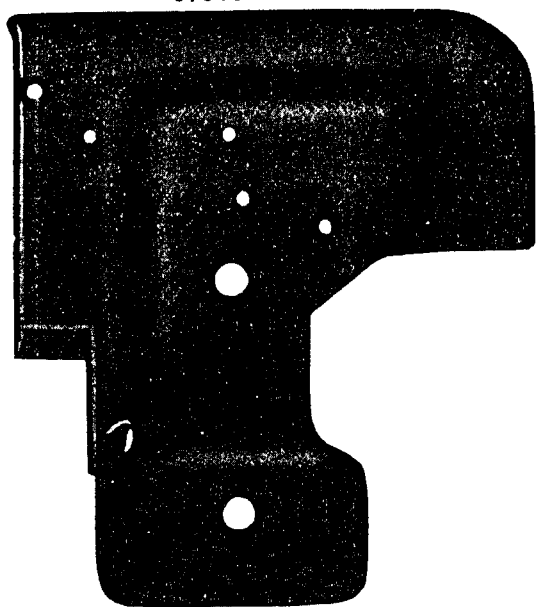
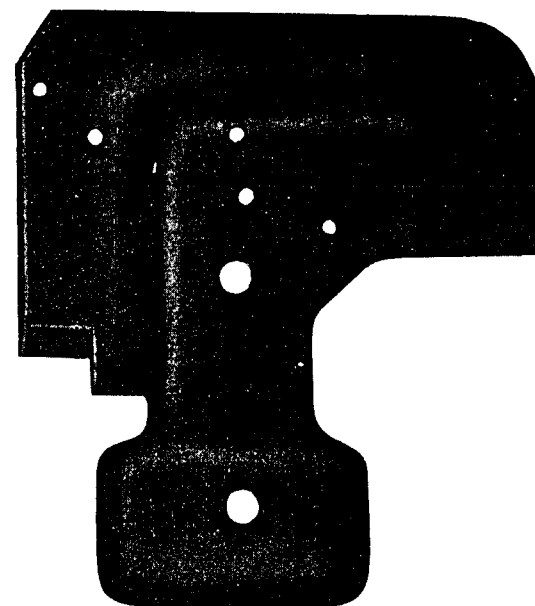


PLATE 6712—ONE-HALF SIZE

37588



37554

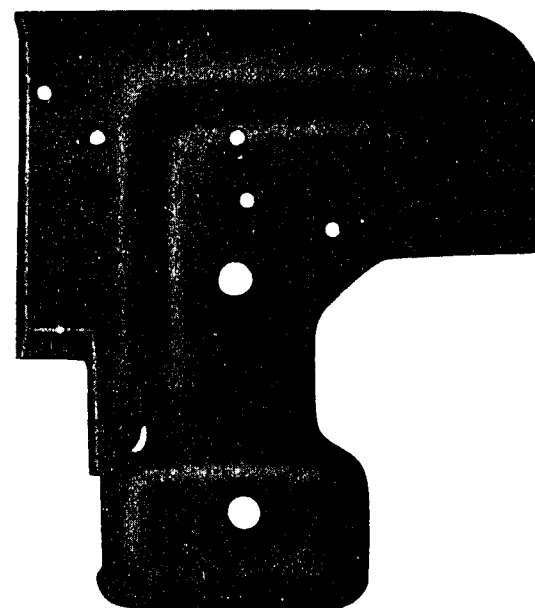


PLATE 6713—FULL SIZE

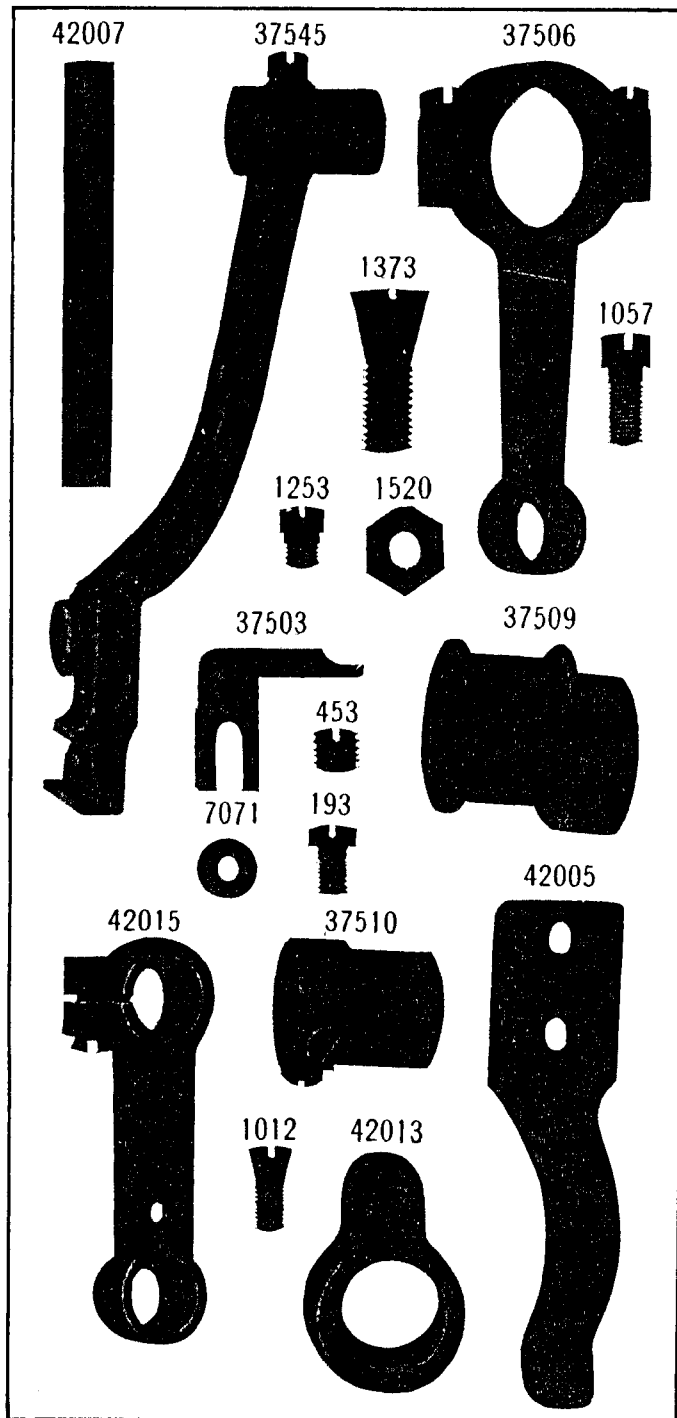


PLATE 6714—FULL SIZE

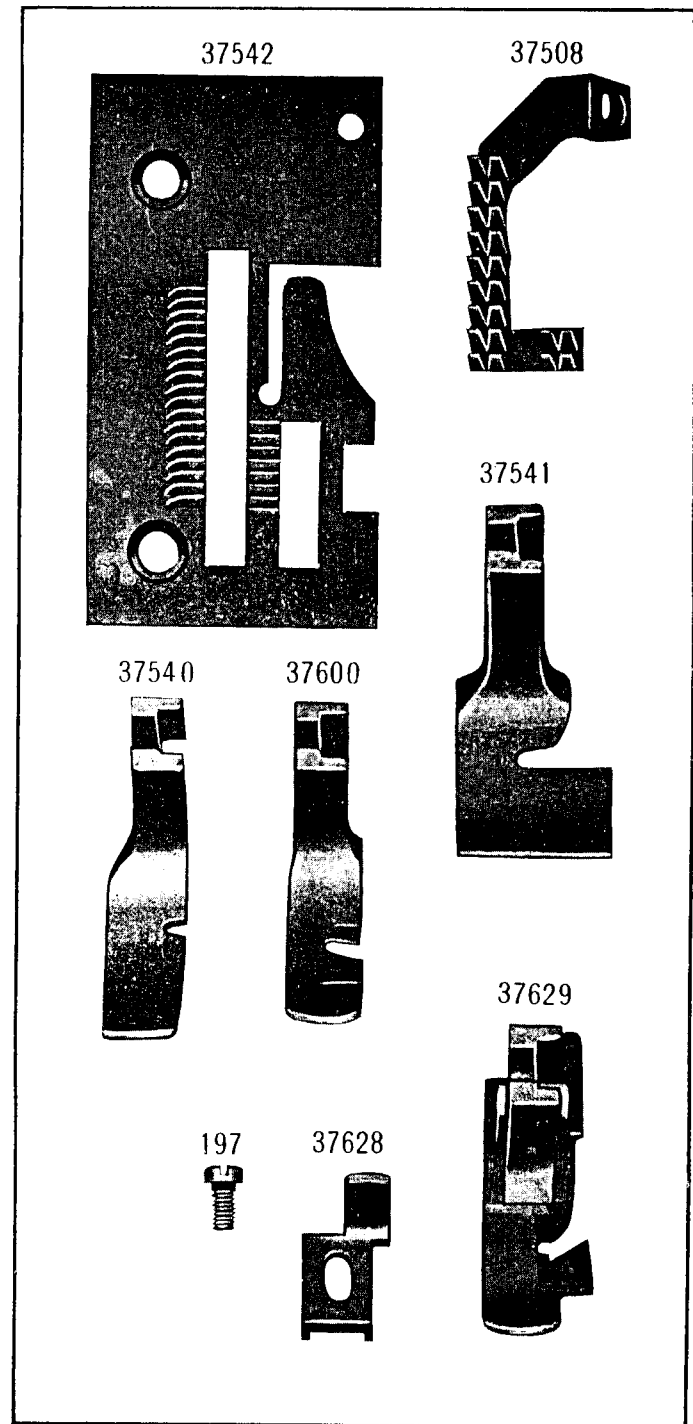
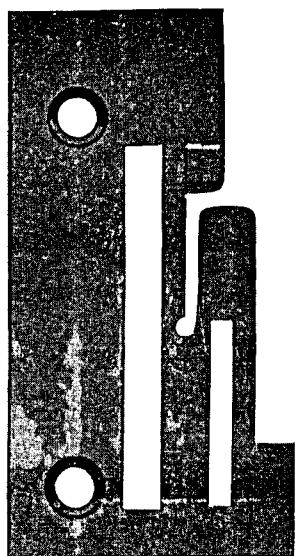


PLATE 6715—FULL SIZE

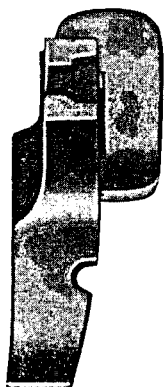
37559



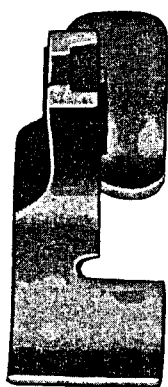
37548



37558



37567



37557

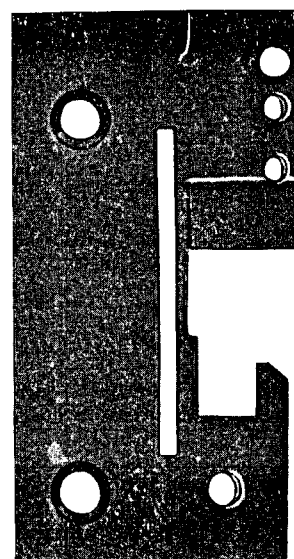


203

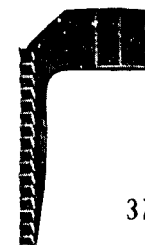


PLATE 6716—FULL SIZE

37613



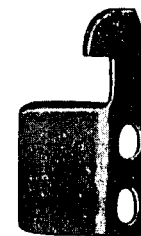
37573



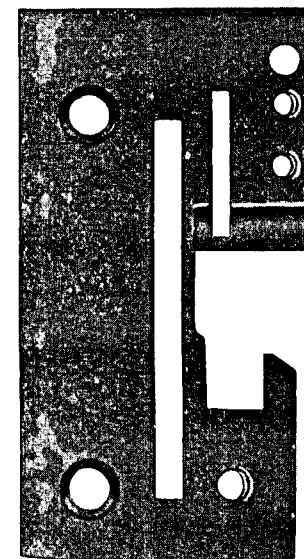
37569



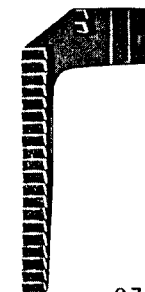
37614



37630



37620



37619



37631



PLATE 6717--FULL SIZE

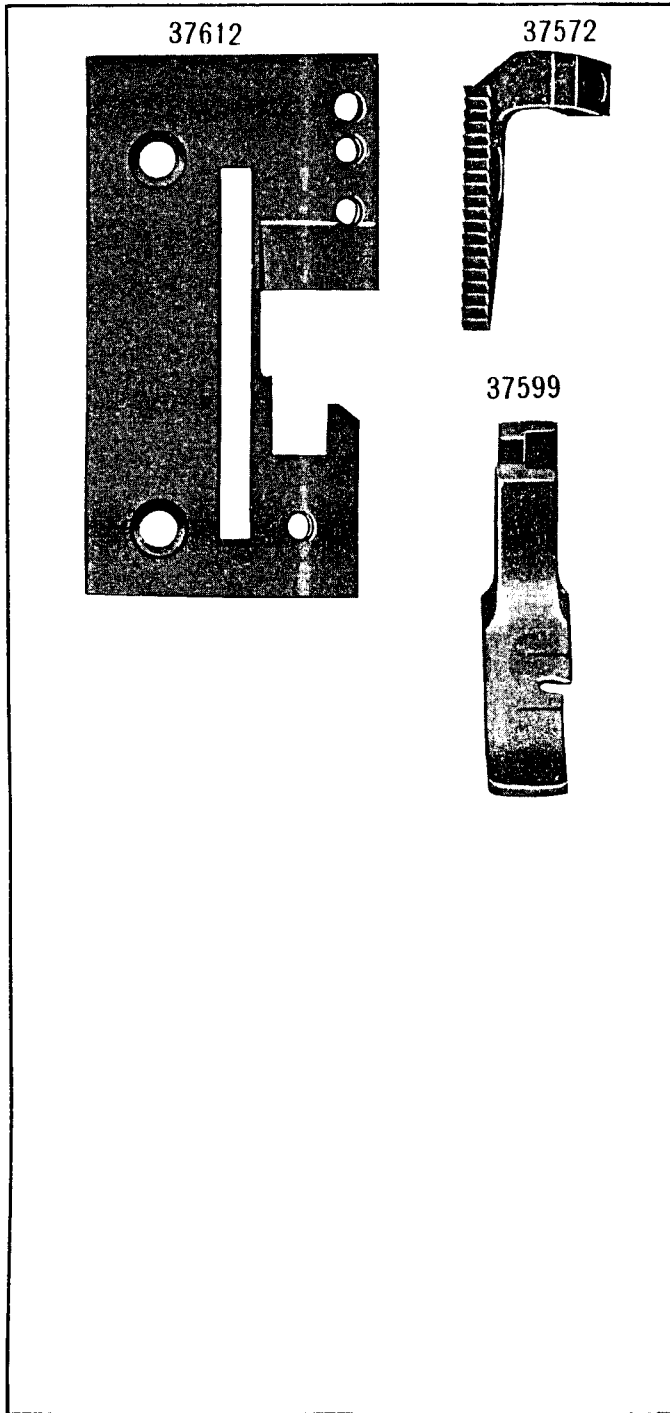


PLATE 6718--FULL SIZE

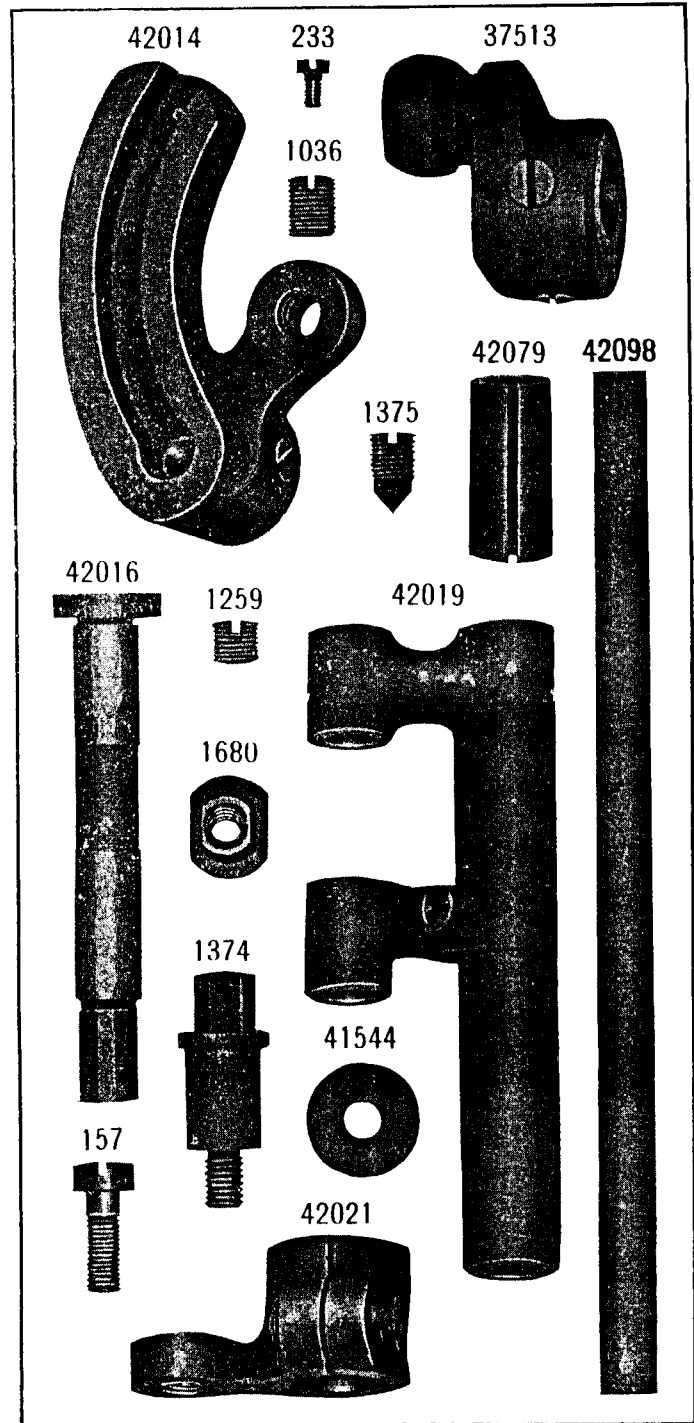


PLATE 6719—FULL SIZE

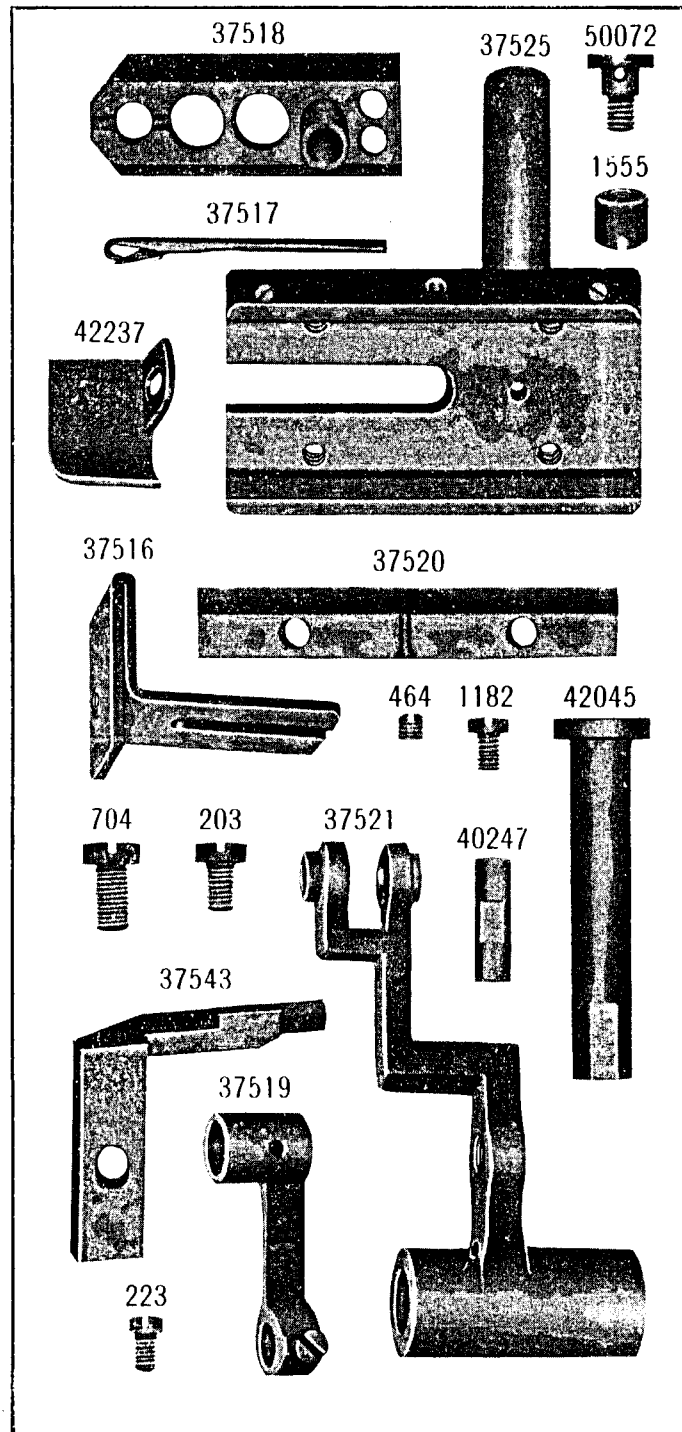


PLATE 6720—FULL SIZE

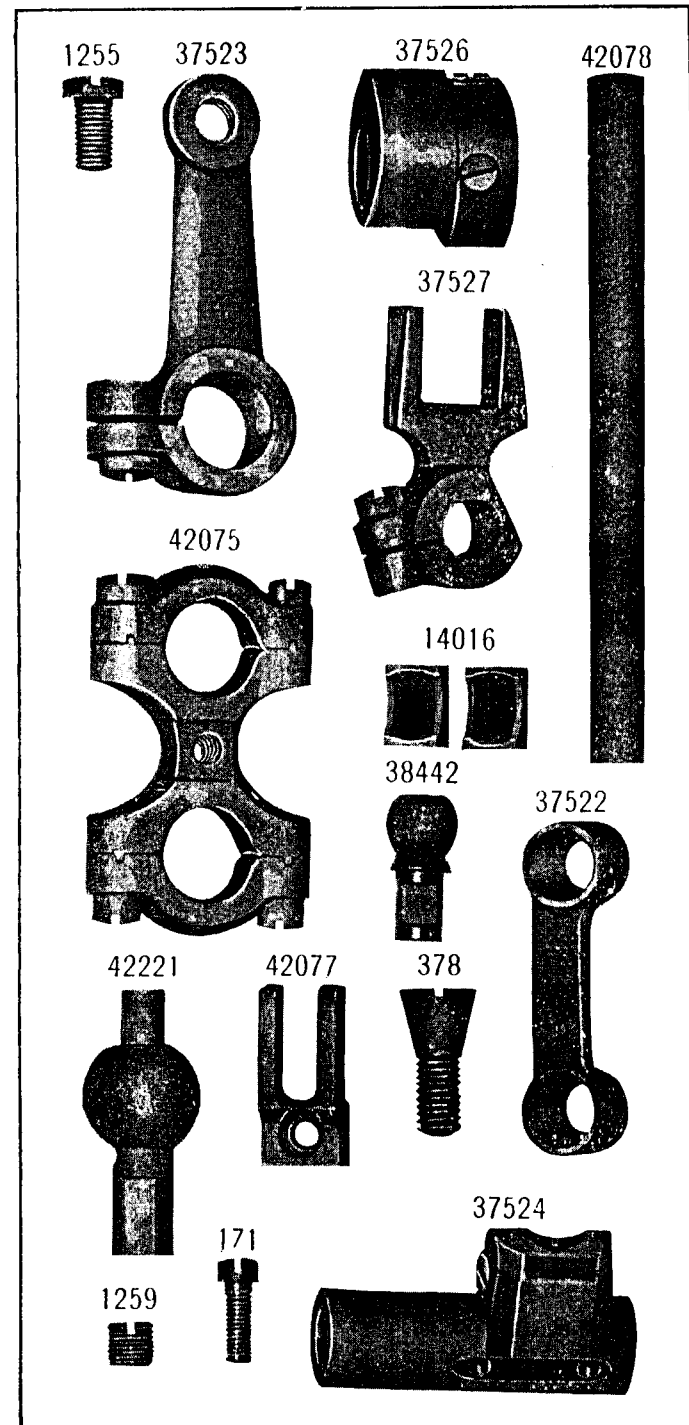


PLATE 6721—FULL SIZE

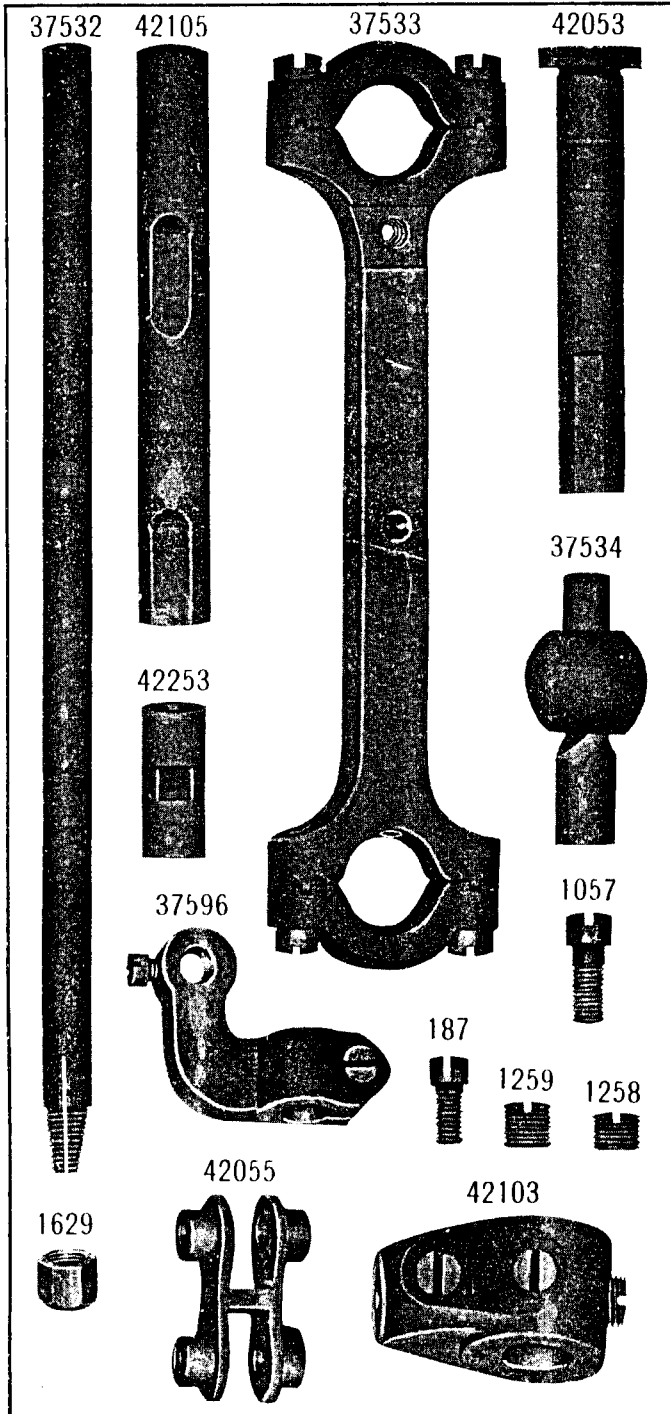


PLATE 6722—FULL SIZE

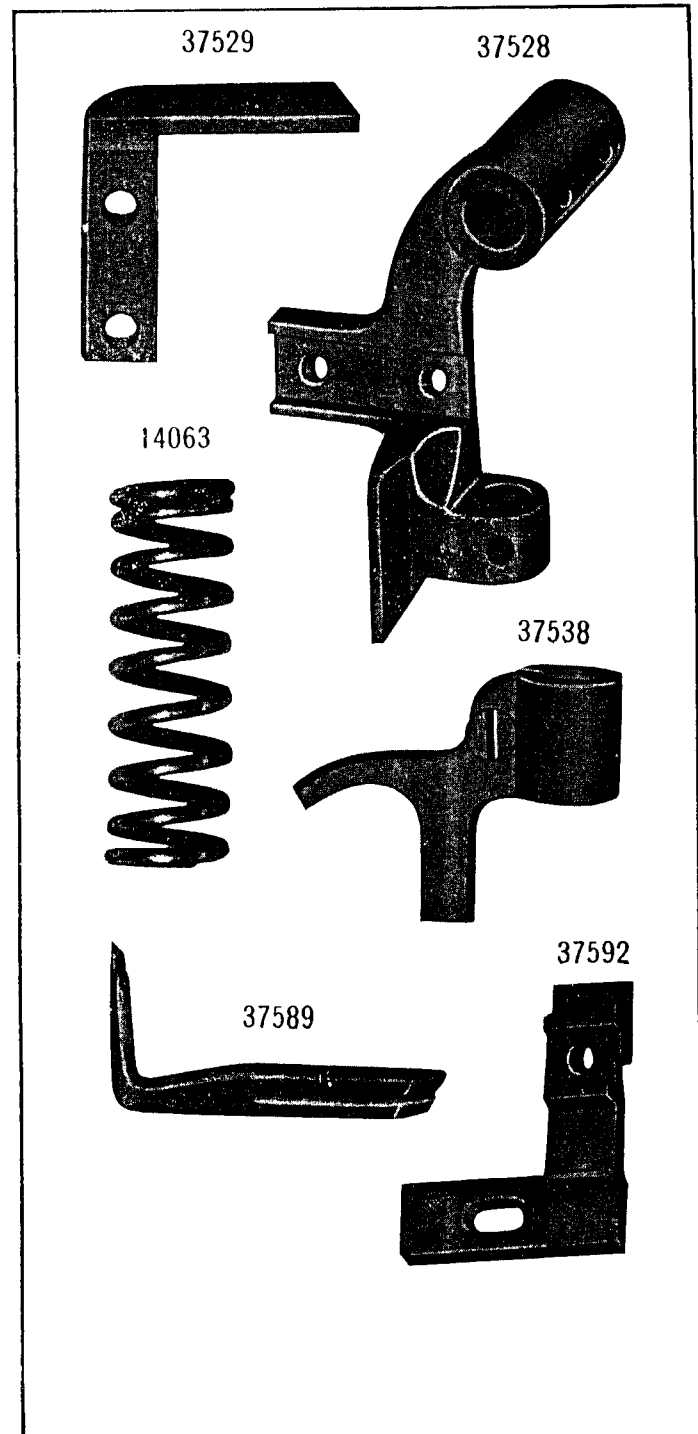


PLATE 6723—FULL SIZE

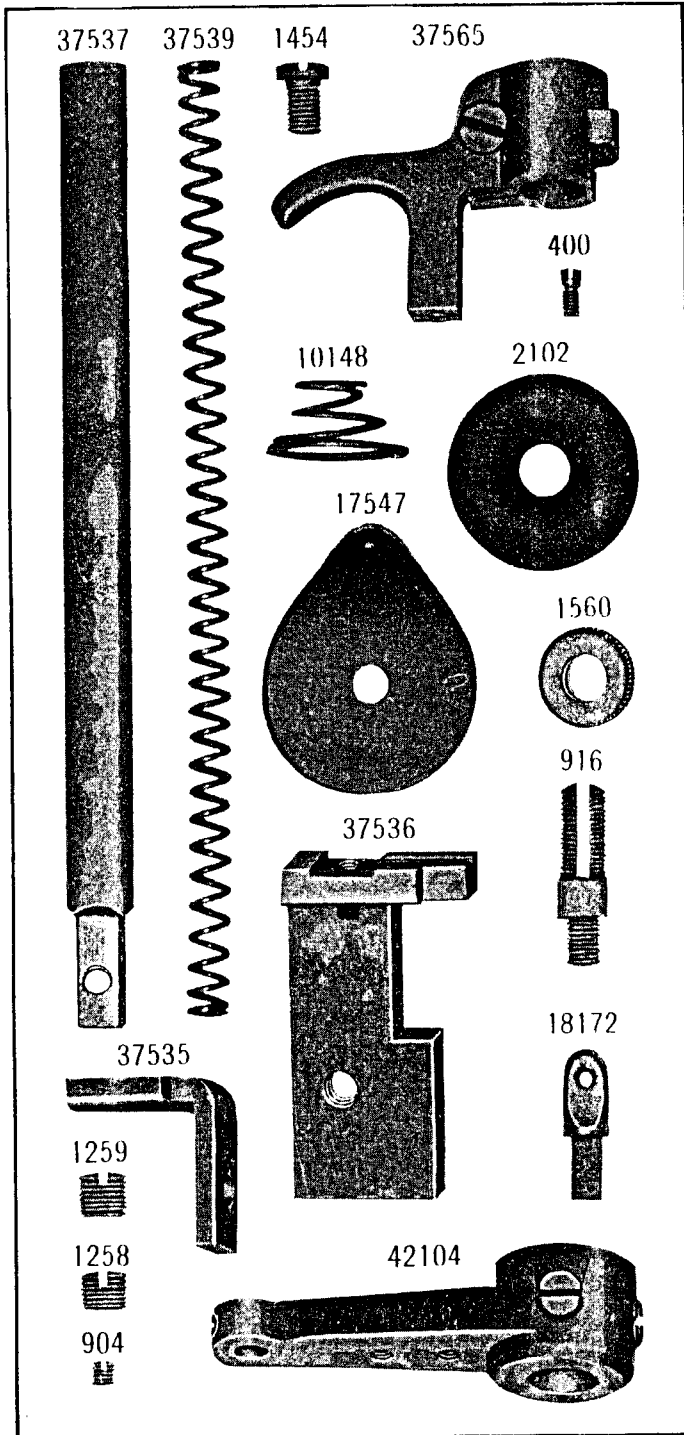


PLATE 6724—FULL SIZE

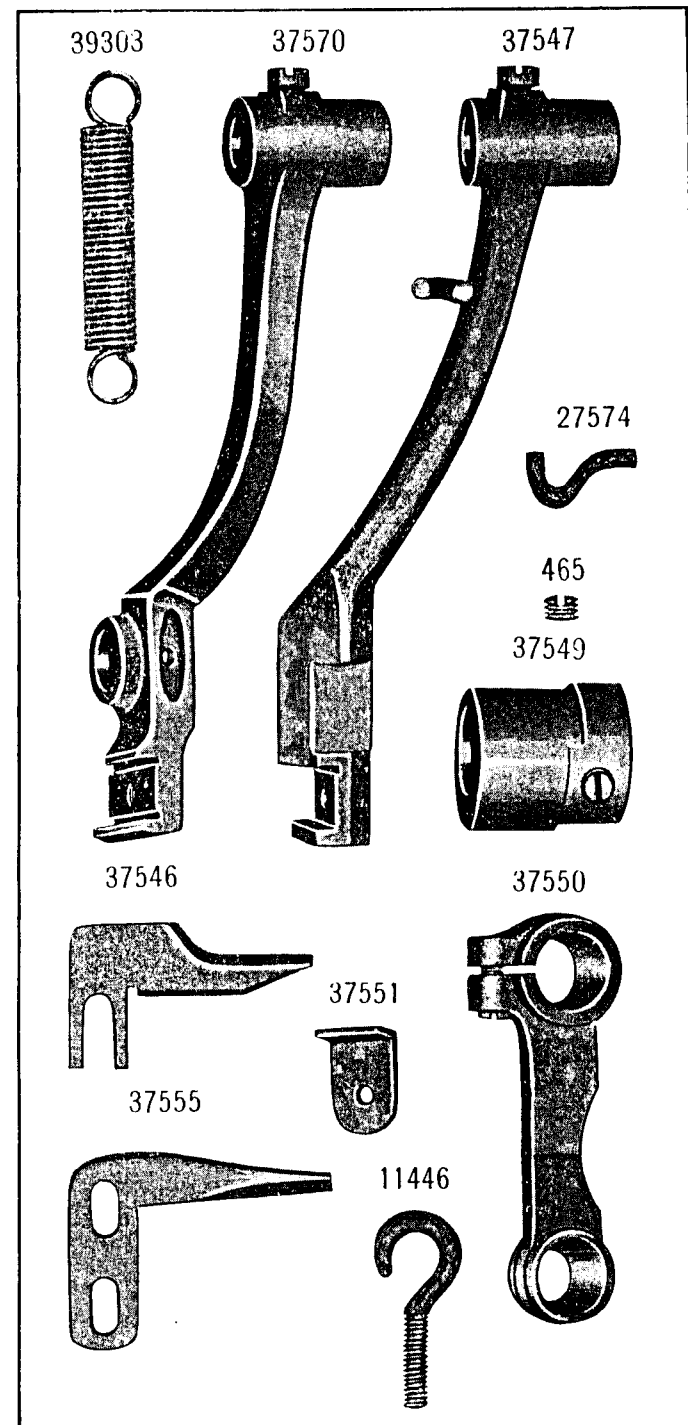


PLATE 6725—FULL SIZE

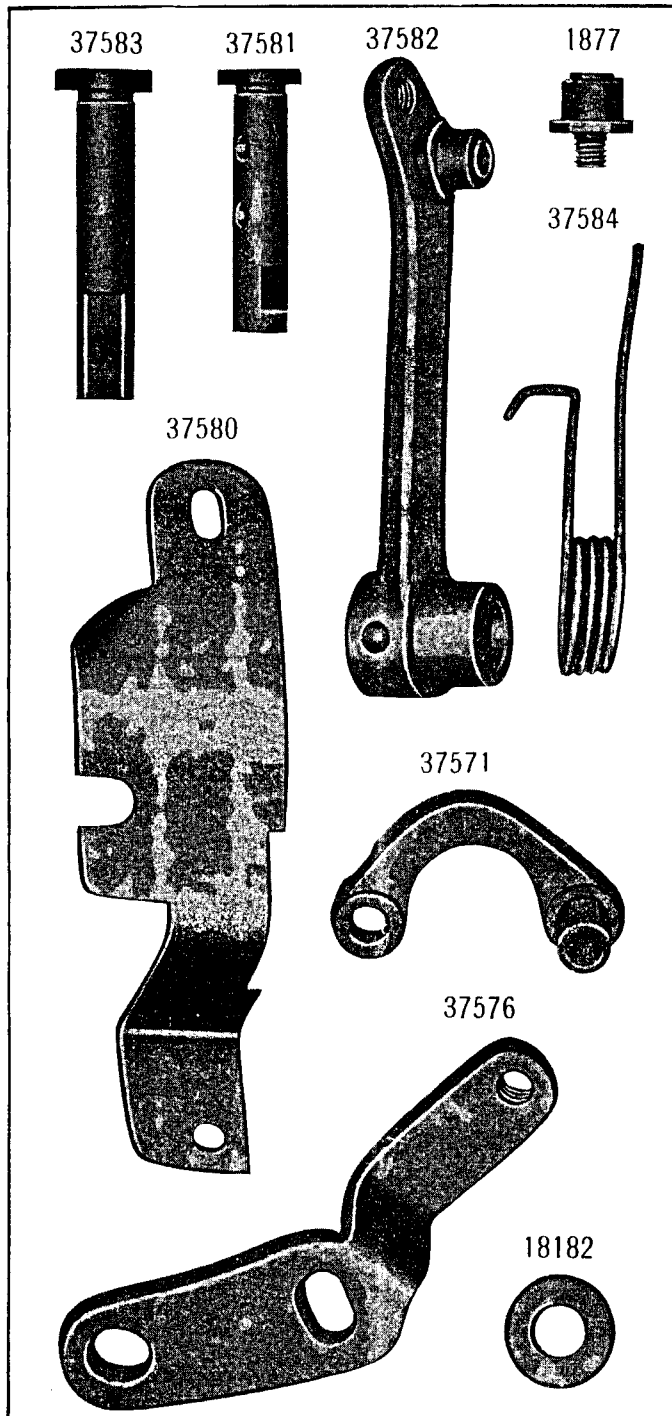


PLATE 6726—FULL SIZE

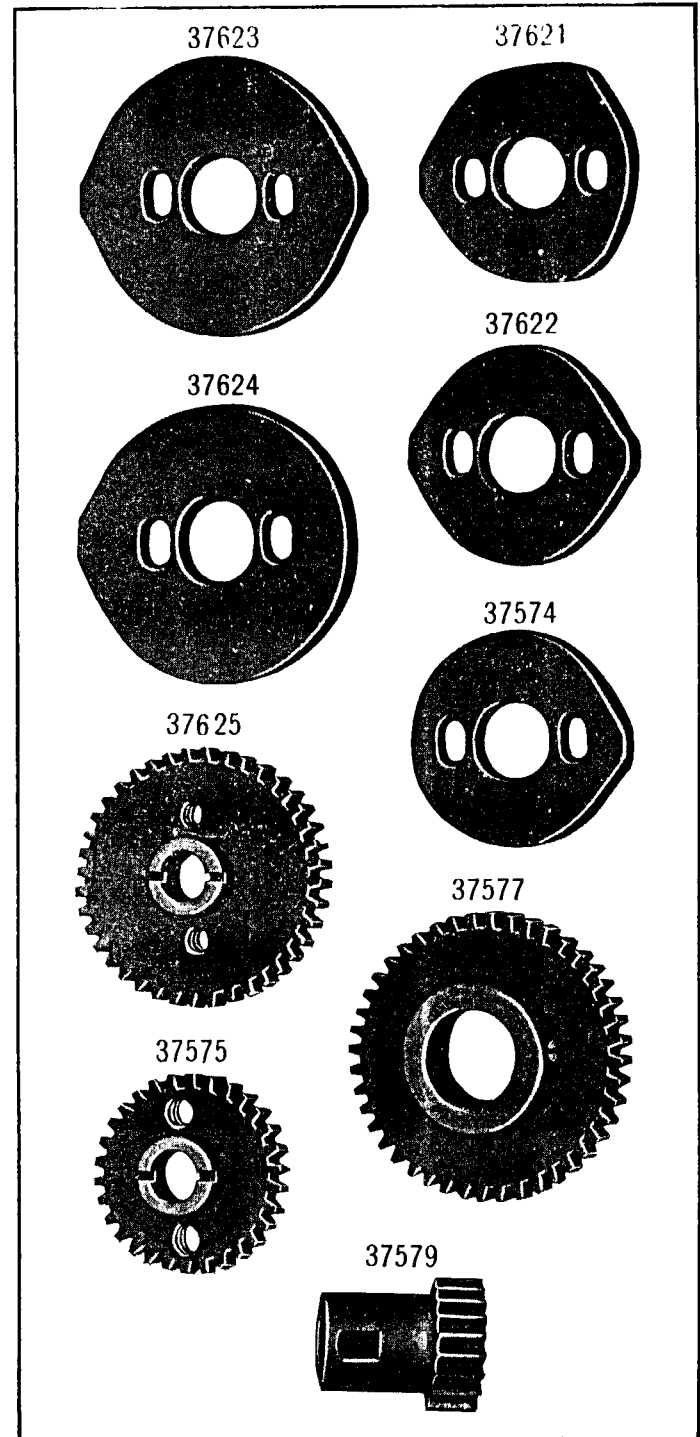


PLATE 6727—FULL SIZE

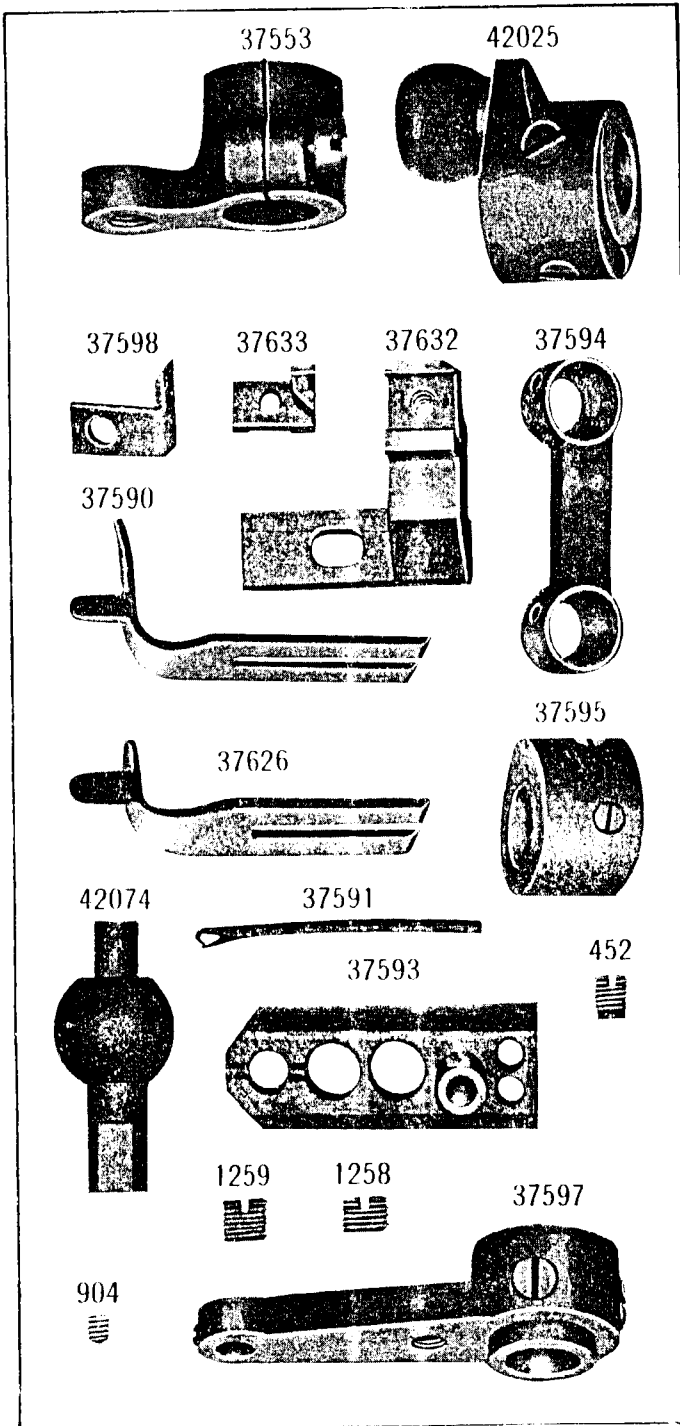


PLATE 6728—FULL SIZE

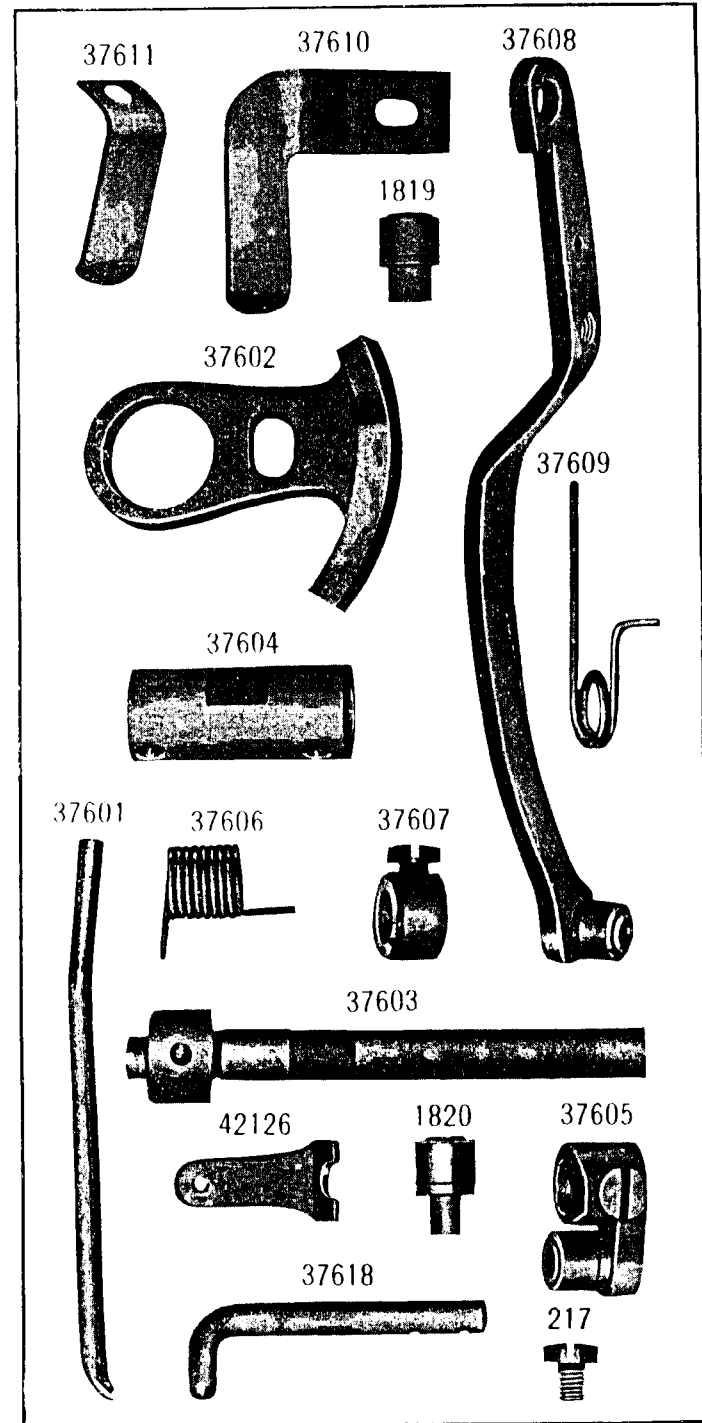


PLATE 6729—FULL SIZE

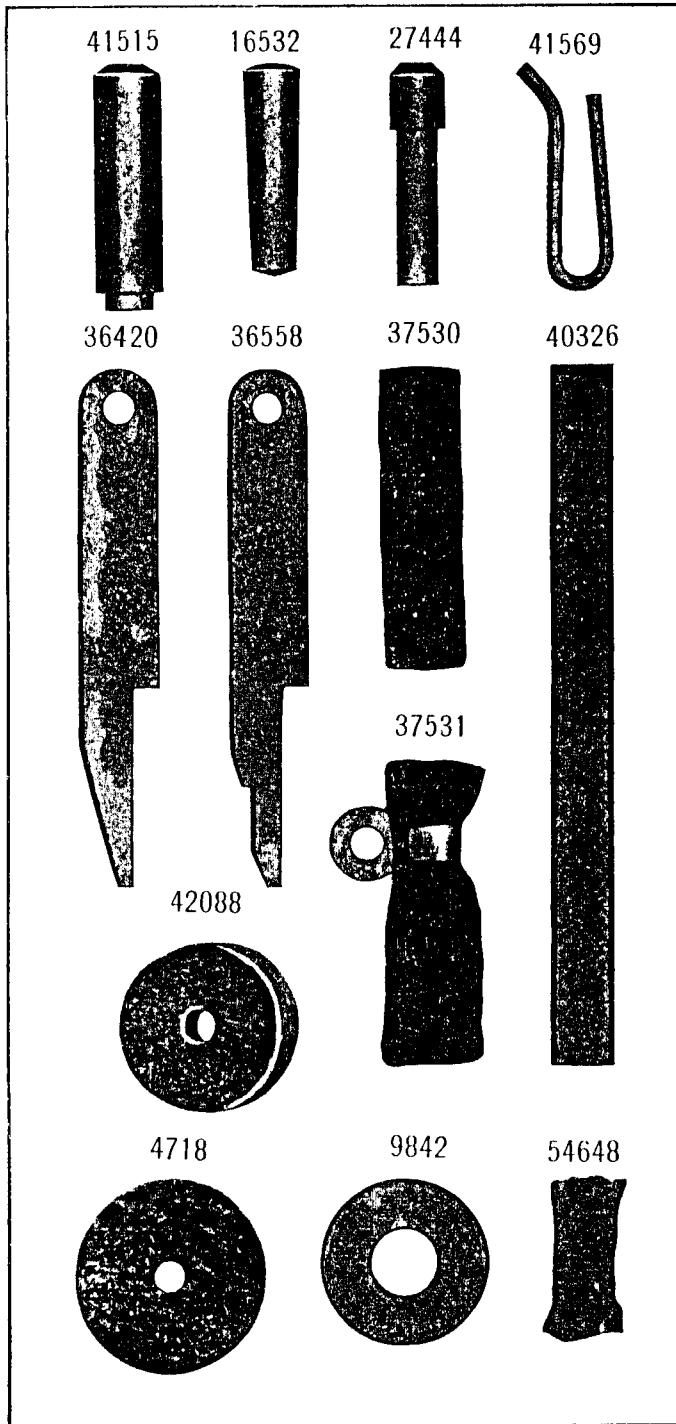


PLATE 6730—FULL SIZE

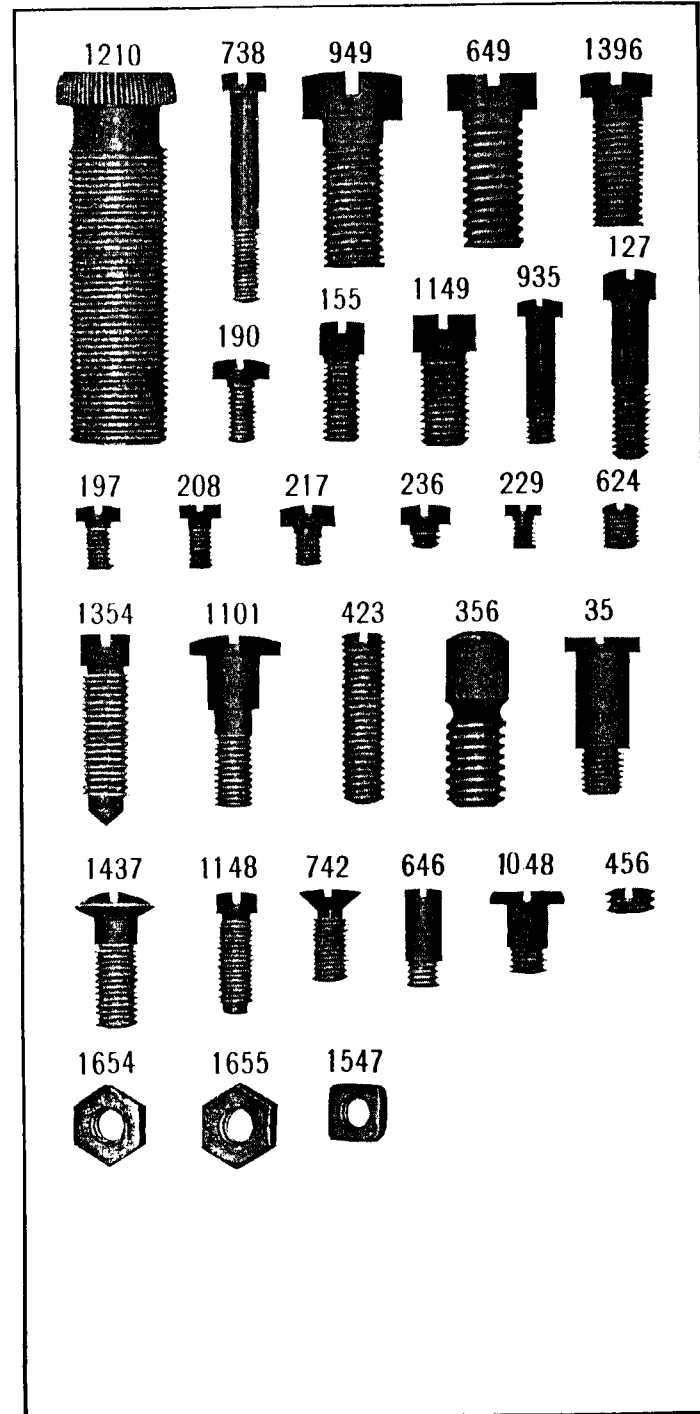


PLATE 6731—FULL SIZE

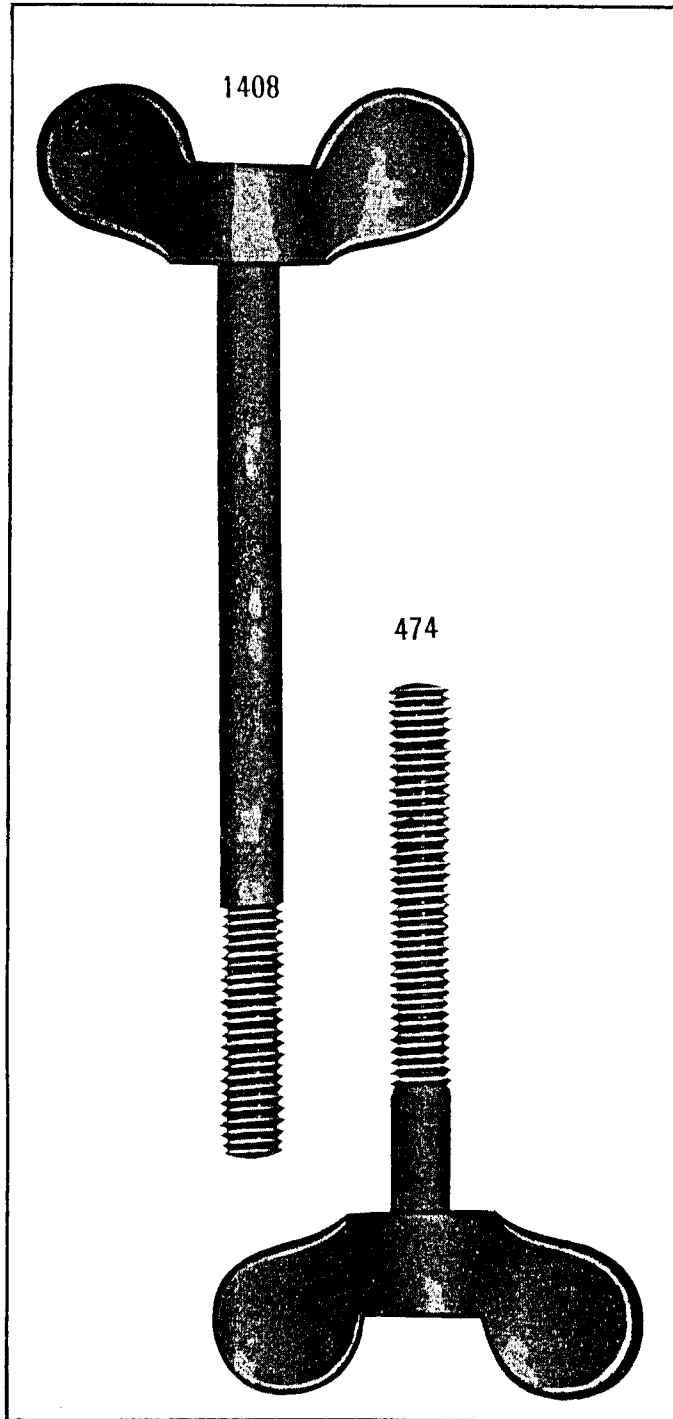


PLATE 6732—ONE-HALF SIZE

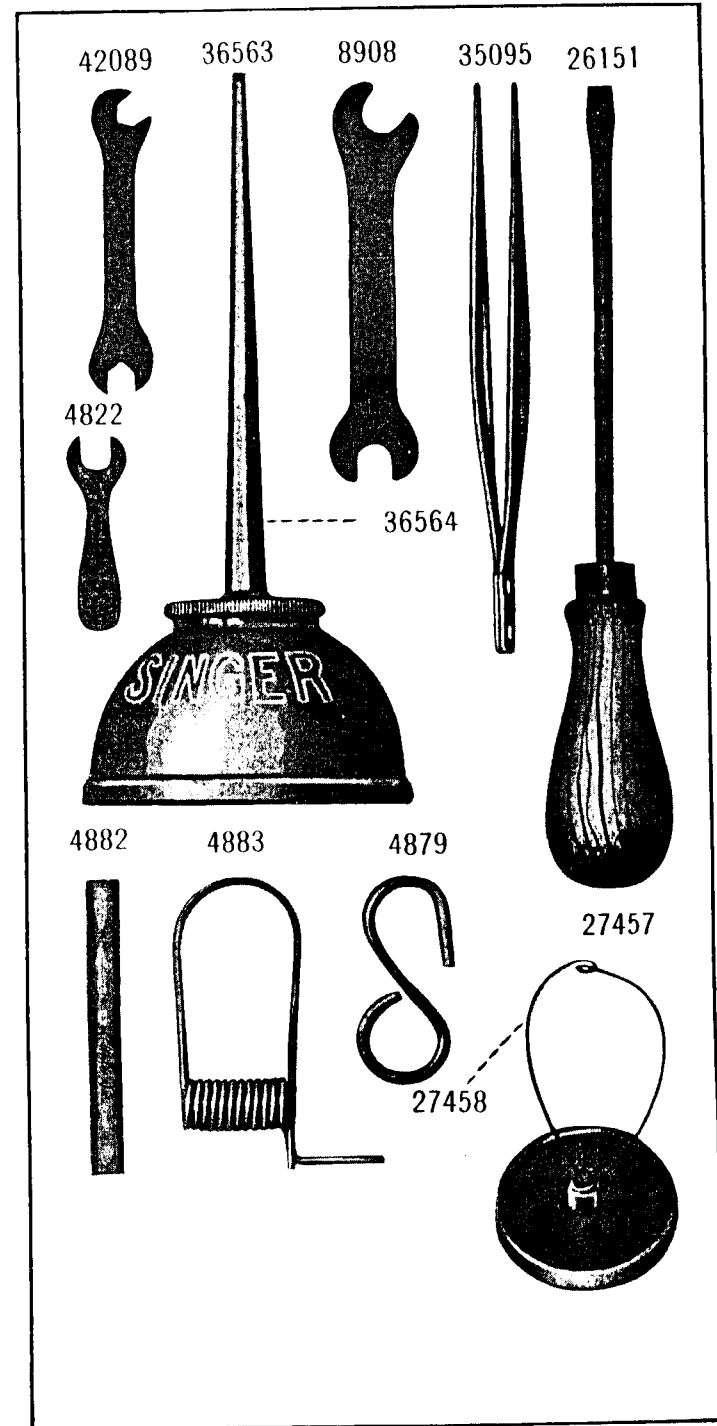


PLATE 6733—FULL SIZE

36109

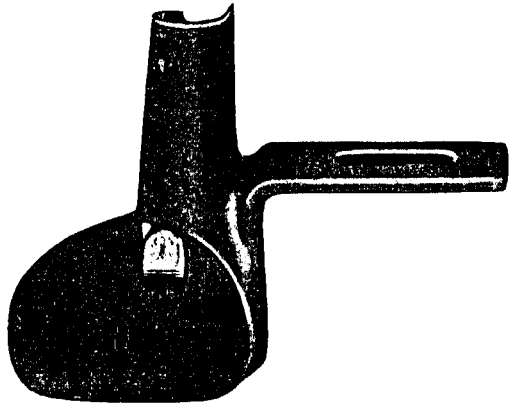
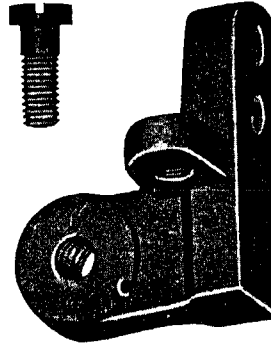


PLATE 6734—FULL SIZE

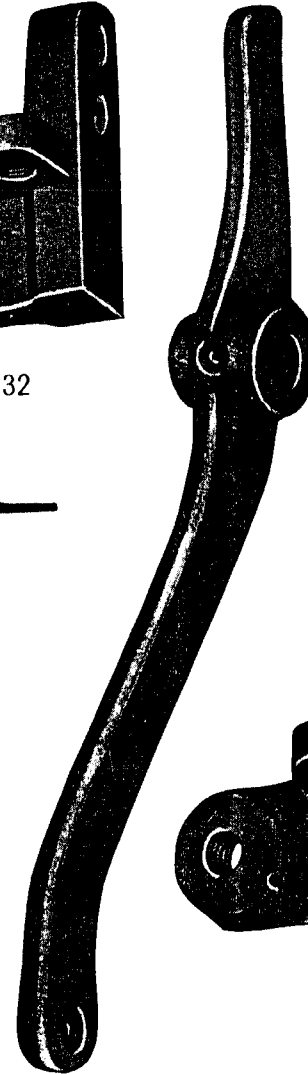
1186



37561



37560



1301



42132



37615

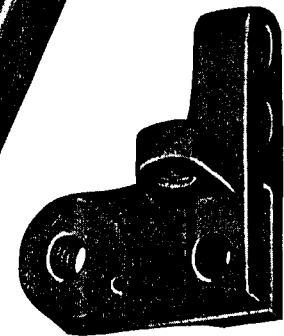
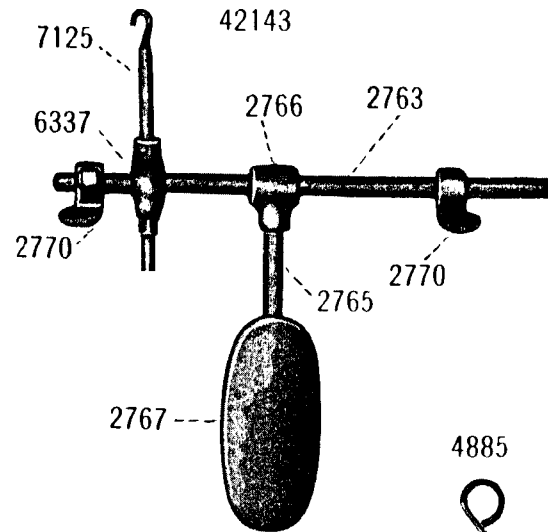
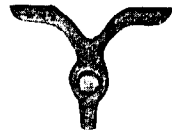


PLATE 6735—ONE-FOURTH SIZE

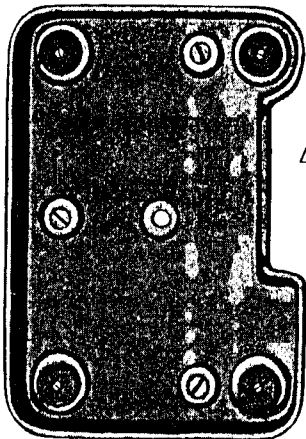
12242



12242



42086



4885

4881

4884

