

Form 2073w  
January, 1930  
PRINTED IN U. S. A.

LIST  
OF  
PARTS



MACHINE No. 71-53

---

THE SINGER MANUFACTURING COMPANY

COPYRIGHT, U. S. A.,  
1916, 1917, 1923, 1926, 1929 AND 1930  
BY THE SINGER MANUFACTURING COMPANY  
ALL RIGHTS RESERVED FOR ALL COUNTRIES

## INDEX

---

	PAGE
ACCESSORIES .....	25
BOBBIN WINDER .....	25
CLAMP LIFTING LEVER .....	27
IRON BASE .....	26
KNIFE GRINDER .....	29
MACHINE NO. 71-53 .....	7
MISCELLANEOUS PARTS .....	30
NUMERICAL LIST OF PARTS .....	31
TABLE BELT GUIDES .....	27
THREAD UNWINDER .....	27
TREADLE .....	28

# Instructions for Ordering

In ordering from this list, use **ONLY** the **PART** number in the **FIRST** column.

The number stamped on a Sewing Machine Part is the number of the Single Part only, except when the part includes Set Screws, Clamping Screws, Studs and Rollers Spun on, Small Wires riveted, or Parts soldered together, etc., which it is necessary to furnish in combination.

Every combination of parts sent out has its specific number which, although not stamped on Parts (except in above cases) must be used when ordering the combination.

Each number always indicates the **SAME PART** in whatever list it appears, or for whatever Machine.

The letters after some of the numbers indicate the style of finish only, as follows:

- A. Hardened, Polished and Plated.
- B. Polished and Plated.
- C. Hardened only.
- D. Polished only.
- E. Soft, not polished.
- F. Hardened and Polished.
- H. Blued.

These letters **MUST BE USED** when they appear in the list and **AFTER** the number, as in the list.

In this series

- 1 to 1500 and 200001 to 201500 are Screw Numbers.
- 1501 to 1800 and 201501 to 201800 are Nut Numbers.
- 1801 to 2000 and 201801 to 202000 are Roller Numbers.
- 2001 to 50000, 202001 and upwards are Numbers of Machine Parts.

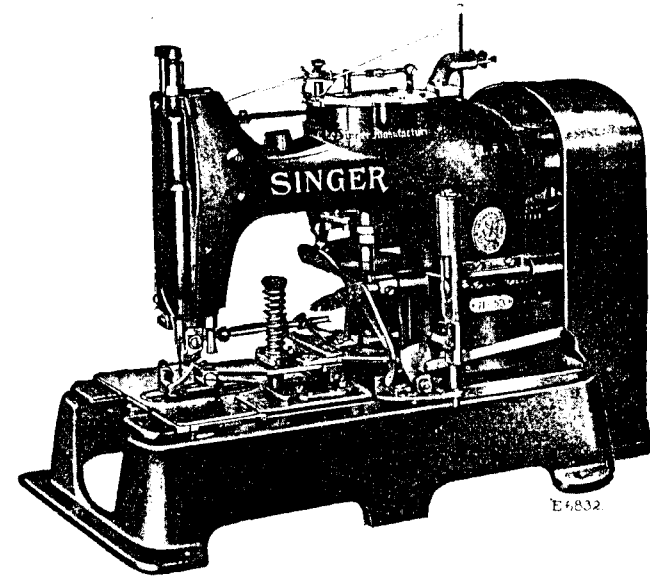
The figures in the second column refer only to the plate in which the illustration of the part is shown and are **NOT TO BE USED** in ordering.

Two or more numbers over a cut indicate that the difference between such parts is not visible in an illustration.

Parts marked with an asterisk (\*) are furnished only when repairs are made at the factory.

## LIST OF PARTS COMPLETE

FOR



## MACHINE No. 71-53

Makes Purl Stitch Buttonholes in one thickness of silk, rayon or other thin material. No Barring Device.

Knives from 1/4 to 3/4 in. long. Cuts Both

Threads and the Hole Automatically

After Stitching

No.	Plate	Name
*39644	—	Arm with 24081 .....
8582	4013	" Dowel Pin (2) .....
748E	4025	" Screw (back) (2) .....
868E	4025	" " (front) (2) .....
23352	14969	" Shaft .....
*24081	—	" " Bushing (front) .....
12357	14970	" " Flanged Bushing (back)
435c	4058	" " " " " " " "
		Set Screw .....
4784	4013	Arm Shaft Oil Pad .....
1069D	4025	" " Screw .....
39620	14970	" Side Cover .....
190D	4013	" " " Screw .....

No.	Plate	Name
39659	4055	Arm Top Cover .....
808F	4025	" " " Screw (3) .....
*39603	—	Bed .....
39538	4047	" Oil Guard .....
1235F	4009	" " " Screw (2) .....
389F	4025	Bobbin Winder Base Plate Screw ..
135D	4025	" " Tension Bracket Screw .....
39647	14970	Clamp Arm .....
625F	4009	" " Adjusting Screw (2) ..
1547D	4009	" " " " Nut (2)
39584	14970	" " Bracket with 196F .....
40003	4098	" " " Guide (left) ....
219F	4008	" " " " " Screw (2) .....
40004	4098	Clamp Arm Bracket Guide (right)
217F	4025	" " " " " " Screw (2) .....
191C	14971	Clamp Arm Bracket Screw (3) ....
39541	14973	" " " " Washer (3) .....
23379	14971	Clamp Arm Hinge Block .....
23380	14971	" " " " Pin .....
196F	14971	" " " " " Set Screw .....
1231F	14971	Clamp Arm Screw (3) .....
249501	14970	" Carrier .....
40006	14971	" " Block with 40007 and four 404D .....
40007	—	Clamp Carrier Block Plate .....
404D	14971	" " " " Screw ..
23384	14971	" " Connecting Rod ....
52C	14971	" " " " Hinge Screw .....
39591	14971	Clamp Carrier Guide (left) .....
756D	14971	" " " " Screw (long) .....
1345D	4059	Clamp Carrier Guide (left) Screw (short) .....
39645	4059	Clamp Carrier Guide (right) .....
1230F	14971	" " " " Screw (2) .....
39604	4055	Clamp Carrier Plate .....
1231F	14971	" " " Screw (back) (2) .....
404D	14971	Clamp Carrier Plate Screw (front) (2) .....
40010	14970	Clamp Carrier Regulator with 240D, 1960 and 39583 .....

No.	Plate	Name
1232C	14971	Clamp Carrier Regulator Hinge Screw .....
1960	14971	Clamp Carrier Regulator Roller and Screw Stud with 1520E .....
1520E	4012	Clamp Carrier Regulator Roller and Screw Stud Nut .....
39544	14970	Clamp Carrier Regulator Slide ....
350076C	14971	" " " Stud (to reg- ulate length of buttonhole) ....
1671C	4009	Clamp Carrier Regulator Stud Nut.
39532	14971	" " " " Sleeve
39583	14971	" " " " Stop
240D	4015	" " " " " Screw .....
39605	14969	Clamp Carrier Slide with 1345D, 39591 and two 756D .....
23392	4008	Clamp Carrier Slide Guide (left)
914F	4008	" " " " " Screw (2) .....
23393	4008	Clamp Carrier Slide Guide (right)
914F	4008	" " " " " Screw (2) .....
23394	14970	Clamp Carrier Slide Lever with 1960 .....
23395	14970	Clamp Carrier Slide Lever Regu- lator .....
23396	4008	Clamp Carrier Slide Lever Regu- lator Cap .....
223D	4008	Clamp Carrier Slide Lever Regu- lator Cap Screw (4) .....
67D	4008	Clamp Carrier Slide Lever Regu- lator Screw .....
1960	14971	Clamp Carrier Slide Lever Roller and Screw Stud with 1520E .....
1520E	4012	Clamp Carrier Slide Lever Roller and Screw Stud Nut .....
7278	4008	Clamp Carrier Slide Lever Socket Joint .....
1234C	4008	Clamp Carrier Slide Regulating Stud .....
23397	4008	Clamp Carrier Slide Regulating Stud Bushing .....
1658C	4008	Clamp Carrier Slide Regulating Stud Thumb Nut .....
1256D	4008	Clamp Carrier Slide Screw (2) ...
249502	14971	" Check with 249505, two each 1348C and 50138F .....
249503	—	Clamp Check complete, Nos. 219F, 2269, 39734, 39735, 40049, 40050 and 249502 .....

No.	Plate	Name
1296C	14971	Clamp Check Hinge Screw (2) ....
39650	14971	" " Holder .....
212D	14971	" " " Hinge Cap Screw
237D	4057	" " " Stop Screw
39715	14971	" " " " "
		Washer .....
249504	14971	Clamp Check Position Plate .....
228F	4058	" " " " Screw
249505	14971	" " Section and Cutting Plate .....
50138F	14971	Clamp Check Section and Cutting Plate Screw .....
1348C	4098	Clamp Check Section and Cutting Plate Support Stud .....
249506	14972	Clamp Lifting Arm .....
249507	14972	" " " Connection
249508	14971	" " " "
		Follower .....
249509	14971	Clamp Lifting Arm Connection Follower Cap .....
207E	4012	Clamp Lifting Arm Connection Follower Cap Screw (2) .....
350205D	14973	Clamp Lifting Arm Connection Follower Hinge Screw .....
1520J	4012	Clamp Lifting Arm Connection Follower Hinge Screw Nut .....
249510	14973	Clamp Lifting Arm Connection Follower Spring .....
249511	14972	Clamp Lifting Arm Connection Lock .....
940F	4058	Clamp Lifting Arm Connection Lock Hinge Screw .....
232065	14973	Clamp Lifting Arm Connection Lock Spring .....
201295E	14973	Clamp Lifting Arm Connection Lock Spring Screw Stud .....
249512	14972	Clamp Lifting Arm Connection Lock Trip Lever .....
1255D	14973	Clamp Lifting Arm Connection Lock Trip Lever Screw (2) .....
1901	4059	Clamp Lifting Arm Connection Roller and Screw Stud with 229D and 12424 .....
40016	4059	Clamp Lifting Arm Connection Roller and Screw Stud Bracket ..
157F	4015	Clamp Lifting Arm Connection Roller and Screw Stud Bracket Screw .....

No.	Plate	Name
39541	14973	Clamp Lifting Arm Connection Roller and Screw Stud Bracket Screw Washer .....
225532	14973	Clamp Lifting Arm Connection Roller and Screw Stud Washer ..
229D	4014	Clamp Lifting Arm Connection Roller Cap Screw .....
12424	4014	Clamp Lifting Arm Connection Roller Cap Screw Washer .....
249513	14973	Clamp Lifting Arm Connection Stop .....
641C	14973	Clamp Lifting Arm Connection Stop Screw .....
199D	4059	Clamp Lifting Arm Screw (2) ....
40017	4059	" " " Stop .....
249514	14972	" " " " Bracket ..
350206E	14973	" " " " Hinge Screw .....
1611E	4059	Clamp Lifting Arm Stop Hinge Screw Nut .....
40019	14972	Clamp Lifting Arm Stop Pitman
59D	14973	" " " " "
		Hinge Screw (back) .....
350207D	14973	Clamp Lifting Arm Stop Pitman Hinge Screw (front) .....
40020	4055	Clamp Plate .....
1235F	4009	" " Screw (4) .....
23573	14972	" " Support .....
402D	14973	" " " Screw (2) ....
23574	4009	" Post .....
1659C	4009	" Pressure Regulating Thumb Nut .....
23404	4009	Clamp Spring .....
23693	4009	" " Bushing .....
1294C	4009	" " " Position Stud ..
1550H	4009	" " " " " Nut
24028	14972	Crank Connecting Rod with 24085 and two 896E .....
*24085	---	Crank Connecting Rod Cap .....
896E	4025	" " " " Screw
908C	14973	" " " Hinge Screw
1619E	4025	" " " " "
		Nut .....
23406	14969	Face Plate .....
217F	4025	" " Screw (2) .....
23672	14972	Feed Connecting Rod with 12204 and two 145E .....
*12204	---	Feed Connecting Rod Cap .....
145E	14973	" " " " Screw ..
375C	4025	" " " Hinge Screw



No.	Plate	Name
39504	14973	Feed Wheel Retaining Clutch Cap Screw Washer .....
2256	4098	Feed Wheel Retaining Clutch Spring .....
233D	14973	Feed Wheel Retaining Clutch Spring Screw .....
721D	4098	Feed Wheel Retaining Clutch Spring Stop Screw .....
39596	4098	Feed Wheel Retaining Clutch Stud
23431	4010	" " Shaft .....
457C	4012	" " " Oil Hole Plug Screw .....
23433	4010	Feed Wheel Tripping Lever .....
1257C	4012	" " " " Hinge Screw .....
23587	4012	Feed Wheel Tripping Lever Point
203C	4012	" " " " " " Screw (2) .....
23435	4013	Feed Wheel Tripping Lever Spring
190D	4013	" " " " " " Screw .....
179E	14973	Feed Wheel Tripping Lever Stop Screw .....
23432	4012	Feed Wheel Tripping Point .....
220D	4012	" " " " " Screw..
249515	—	Knife, $\frac{1}{4}$ inch .....
39958	—	" $\frac{3}{8}$ inch .....
39959	—	" $\frac{1}{2}$ inch .....
39960	14973	" $\frac{1}{2}$ inch .....
39961	—	" $\frac{5}{16}$ inch .....
39962	—	" $\frac{3}{4}$ inch .....
39963	—	" $\frac{1}{2}$ inch .....
39964	—	" $\frac{3}{4}$ inch .....
23460	4010	" Bar .....
23461	4015	" " Connecting Link .....
1239D	4015	" " " " Hinge Cap Screw .....
1240C	4015	Knife Bar Connecting Link Hinge Screw .....
23462	4015	Knife Bar Connecting Stud with 1319F .....
1319F	4015	Knife Bar Connecting Stud Clamp- ing Screw .....
23463	4015	Knife Bar Disengaging Lever .....
23464	4015	" " " " Catch with 1963 .....
23465	4015	Knife Bar Disengaging Lever Catch Bracket .....
157D	4015	Knife Bar Disengaging Lever Catch Bracket Screw (2) .....

No.	Plate	Name
90c	4058	Knife Bar Disengaging Lever Catch Hinge Screw .....
1963	4015	Knife Bar Disengaging Lever Catch Roller and Stud .....
23468	4015	Knife Bar Disengaging Lever Catch Spring .....
1241E	4015	Knife Bar Disengaging Lever Catch Spring Screw Stud (2) .....
23466	4015	Knife Bar Disengaging Lever Catch Tripping Point .....
23467	4015	Knife Bar Disengaging Lever Catch Tripping Point Collar with two 448c .....
448c	4015	Knife Bar Disengaging Lever Catch Tripping Point Collar Set Screw
175D	4015	Knife Bar Disengaging Lever Catch Tripping Point Screw .....
90c	4058	Knife Bar Disengaging Lever Hinge Screw .....
23606	4015	Knife Bar Disengaging Lever Spring
1242E	4015	" " " " " Screw (2) .....
240D	4015	Knife Bar Disengaging Lever Stop Screw .....
23469	4010	Knife Bar Driving Lever .....
1290c	4014	" " " " Hinge Screw .....
1428c	4014	Knife Bar Driving Lever Screw Stud .....
1520E	4012	Knife Bar Driving Lever Screw Stud Nut .....
23681	4014	Knife Bar Driving Lever Spring
805c	4014	" " " " " Screw .....
23470	4010	Knife Bar Driving Lever (inter- mediate) .....
23471	4014	Knife Bar Driving Lever (inter- mediate) Connecting Link .....
54c	4014	Knife Bar Driving Lever (inter- mediate) Connecting Link Hinge Screw .....
1222c	4014	Knife Bar Driving Lever (inter- mediate) Hinge Screw .....
1959	4014	Knife Bar Driving Lever (inter- mediate) Roller and Screw Stud with 229D and 12424 .....
229D	4014	Knife Bar Driving Lever (inter- mediate) Roller Cap Screw .....

No.	Plate	Name
12424	4014	Knife Bar Driving Lever (intermediate) Roller Cap Screw Washer .....
23682	4014	Knife Bar Spring .....
39566	4014	" " Stop .....
39565	—	Knife Bar Stop complete, Nos. 1673c, 23548 and 39566 .....
1673c	4014	Knife Bar Stop Lock Nut .....
23548	4014	" " " Plug (fibre) .....
23473	4014	" Holder .....
1243c	4014	" " Guide Stud .....
1608c	4014	" " " " Nut .....
157c	4015	" " Screw .....
1547c	4009	" " " Nut .....
191c	14971	" Screw .....
23390	4014	" " Washer .....
39600	14974	Needle Bar with 904E .....
23476	14973	" " Connecting Link with 794E .....
794E	14973	Needle Bar Connecting Link Adjusting Screw .....
1021E	14973	Needle Bar Connecting Link Cap Screw .....
39601	14973	Needle Bar Connecting Stud with 1341c .....
1341c	14973	Needle Bar Connecting Stud Set Screw .....
23477	4010	Needle Bar Crank with 858c, 1036c, 1065c and 1258c .....
1065c	4025	Needle Bar Crank Position Screw ..
858c	4025	" " " Set Screw .....
23478	14969	" " Frame with 4784 .....
39968	14974	" " " Cam and Bevel Gear .....
1244c	14973	Needle Bar Frame Cam and Bevel Gear Screw .....
39967	14974	Needle Bar Frame Driving Bevel Pinion with two 453c .....
453c	4013	Needle Bar Frame Driving Bevel Pinion Set Screw .....
23610	—	Needle Bar Frame Pitman (hinge screw end) .....
23675	—	Needle Bar Frame Pitman (regulator end) .....
190c	4013	Needle Bar Frame Pitman Adjusting Screw .....
7071	4008	Needle Bar Frame Pitman Adjusting Screw Washer .....

No.	Plate	Name
23676	14974	Needle Bar Frame Pitman (adjustable) complete, Nos. 23610, 23675, two each 190c and 7071 .....
1042F	14973	Needle Bar Frame Pitman Hinge Screw .....
1547D	4009	Needle Bar Frame Pitman Hinge Screw Nut .....
23677	14974	Needle Bar Frame Regulator with 1956 .....
1038c	14973	Needle Bar Frame Regulator Adjusting Screw .....
7070	14973	Needle Bar Frame Regulator Adjusting Screw Sleeve .....
1589c	14973	Needle Bar Frame Regulator Adjusting Screw Thumb Nut .....
1956	14973	Needle Bar Frame Regulator Roller and Screw Stud with 229D, 1655E and 23389 .....
1655E	14977	Needle Bar Frame Regulator Roller and Screw Stud Nut .....
229D	4014	Needle Bar Frame Regulator Roller Cap Screw .....
23389	14977	Needle Bar Frame Regulator Roller Cap Screw Washer .....
23667	14977	Needle Bar Frame Regulator Stud
673E	14977	" " " Screw Center ...
1517E	14977	" " " " " Nut
249516	14977	" Plate .....
404D	14971	" " Screw (2) .....
904E	14977	" Set Screw .....
39653	14974	Oscillating Rock Shaft .....
39654	—	Oscillating Rock Shaft complete, Nos. 4784, 23494 and 39653 .....
23494	14974	Oscillating Rock Shaft Hinge Pin with 23421 .....
23421	4013	Oscillating Rock Shaft Hinge Pin Oil Hole Plug (leather) .....
448c	4015	Oscillating Rock Shaft Hinge Pin Set Screw .....
4784	4013	Oscillating Rock Shaft Oil Pad ...
39655	14974	" Shaft .....
39656	14977	" " Bushing (back) ....
24047	4013	" " " (front) .....
39657	—	" " Crank .....
39658	14977	Oscillating Shaft Crank complete, Nos. 1636E, 24050, 39657 and two 1253c .....
1253c	14977	Oscillating Shaft Crank Set Screw
19448	14977	" " " Slide Block





No.	Plate	Name
457c	4012	Stop Cam Spring Stop Screw Set Screw .....
23518	4010	Stop Lever .....
78D	4021	" " Hinge Screw .....
9540	4021	" " Spring .....
32012	14979	Tension Disc (2) .....
1560c	14979	" Regulating Thumb Nut ....
39660	14979	" Releaser .....
1387c	14979	" " Guide Screw Stud ...
1521E	14979	" " " " " Nut
39632	—	" " Holder with 201F ....
999F	14979	" " " Hinge Screw..
201F	14979	" " Set Screw .....
39633	4058	" Releasing Lever .....
39634	4058	" " " Connection
974F	4058	" " " " "
		Screw (back) .....
940F	4058	Tension Releasing Lever Connec- tion Screw (front) .....
90c	4058	Tension Releasing Lever Hinge Screw .....
413F	14979	Tension Screw Stud .....
2103	14979	" Spring .....
39636	14979	" Thread Eyelet (double) ....
217F	4025	" " " Screw .....
249517	14979	Thread (lower) Cutting Blade ....
40036	4058	" " " " Carrier with 40038 .....
40037	14976	Thread (lower) Cutting Blade Car- rier Lever .....
32c	4025	Thread (lower) Cutting Blade Car- rier Lever Hinge Screw .....
39736	4058	Thread (lower) Cutting Blade Car- rier Lever Spring .....
1241E	4015	Thread (lower) Cutting Blade Car- rier Lever Spring Screw Stud (2)
435c	4058	Thread (lower) Cutting Blade Car- rier Lever Stop Screw .....
1520E	4012	Thread (lower) Cutting Blade Car- rier Lever Stop Screw Nut ....
40038	4058	Thread (lower) Cutting Blade Car- rier Stud .....
249518	14979	Thread (lower) Cutting Blade Fric- tion Plate .....
934H	14979	Thread (lower) Cutting Blade Fric- tion Plate Screw (2) .....
240D	4015	Thread (lower) Cutting Blade Screw (2) .....

No.	Plate	Name
249519	14976	Thread (lower) Cutting Lever . . .
1351c	14971	" " " " Ball Screw .....
1520E	4012	Thread (lower) Cutting Lever Ball Screw Nut .....
249528	14980	Thread (lower) Pull-off Finger ....
1350c	14980	" " " " Hinge Screw .....
350209c	14980	Thread (lower) Pull-off Finger Screw Stud .....
39734	14980	Thread (upper) Clamping Blade ..
39735	14980	" " Cutting Blade .....
39610	4057	" " " " Connect- ing Rod .....
40043	4057	Thread (upper) Cutting Blade Con- necting Rod Collar (back) with 209c .....
209c	—	Thread (upper) Cutting Blade Con- necting Rod Collar (back) Set Screw .....
40044	4057	Thread (upper) Cutting Blade Con- necting Rod Collar (front) with 237F .....
2273	4057	Thread (upper) Cutting Blade Con- necting Rod Collar (front) Pin ..
237F	4057	Thread (upper) Cutting Blade Con- necting Rod Collar (front) Set Screw .....
40045	4057	Thread (upper) Cutting Blade Con- necting Rod Collar (front) Wash- er (rawhide) (2) .....
106c	4057	Thread (upper) Cutting Blade Con- necting Rod Hinge Screw .....
23606	4015	Thread (upper) Cutting Blade Con- necting Rod Spring .....
39611	4057	Thread (upper) Cutting Blade Con- necting Rod Spring Bracket ...
203F	4012	Thread (upper) Cutting Blade Con- necting Rod Spring Bracket Screw (2) .....
7071	4008	Thread (upper) Cutting Blade Con- necting Rod Spring Bracket Screw Washer (2) .....
40047	4057	Thread (upper) Cutting Blade Con- necting Rod Spring Collar with 646F .....
646F	4057	Thread (upper) Cutting Blade Con- necting Rod Spring Collar Set Screw .....

No.	Plate	Name
39754	14980	Thread (upper) Cutting Blade Opener Lever .....
90c	4058	Thread (upper) Cutting Blade Opener Lever Hinge Screw .....
39755	14980	Thread (upper) Cutting Blade Opener Lever Latch .....
190D	4013	Thread (upper) Cutting Blade Opener Lever Latch Screw (2) ..
7071	4008	Thread (upper) Cutting Blade Opener Lever Latch Screw Washer (2) .....
12648	14980	Thread (upper) Cutting Blade Opener Lever Spring .....
236r	14980	Thread (upper) Cutting Blade Opener Lever Spring Screw .....
249522	14980	Thread (upper) Cutting Blade Opener Lever Trip Bracket .....
690D	14980	Thread (upper) Cutting Blade Opener Lever Trip Bracket Screw
181D	4013	Thread (upper) Cutting Blade Opener Lever Trip Bracket Screw
9525	4083	Thread (upper) Cutting Blade Opener Lever Trip Bracket Screw Washer .....
21699	4098	Thread (upper) Cutting Blade Position Pin .....
219r	4008	Thread (upper) Cutting Blade Screw .....
40049	4098	Thread (upper) Cutting Blade Shaft with 21699 .....
40050	4098	Thread (upper) Cutting Blade Shaft Crank with 906c .....
2269	14978	Thread (upper) Cutting Blade Shaft Crank Pin .....
906c	14980	Thread (upper) Cutting Blade Shaft Crank Set Screw .....
40051	14976	Thread (upper) Cutting Lever with 641c .....
40052	4057	Thread (upper) Cutting Lever Lock Pin .....
1352c	4057	Thread (upper) Cutting Lever Lock Pin Screw Bushing .....
40053	4057	Thread (upper) Cutting Lever Lock Pin Spring .....
2117	4012	Thread (upper) Cutting Lever Pin
641c	14973	" " " " Set Screw .....
40054	14976	Thread (upper) Cutting Lever Shaft
40067	14976	" " " " " Bracket .....

No.	Plate	Name
966D	4025	Thread (upper) Cutting Lever Shaft Bracket Screw (2) .....
39661	14980	Thread (upper) Cutting Lever Shaft Collar with 641c .....
12538	14980	Thread (upper) Cutting Lever Shaft Collar Pin .....
641c	14973	Thread (upper) Cutting Lever Shaft Collar Set Screw .....
249523	14980	Thread (upper) Cutting Lever Shaft Crank with two each 200r and 40059 .....
40057	4057	Thread (upper) Cutting Lever Shaft Crank Latch .....
766D	4057	Thread (upper) Cutting Lever Shaft Crank Latch Hinge Screw .....
40058	4057	Thread (upper) Cutting Lever Shaft Crank Latch Spring .....
206r	4057	Thread (upper) Cutting Lever Shaft Crank Latch Spring Screw, for 249523 .....
1144r	4057	Thread (upper) Cutting Lever Shaft Crank Latch Spring Screw, for 40057 .....
40059	4057	Thread (upper) Cutting Lever Shaft Crank Latch Stop Pin .....
200r	4057	Thread (upper) Cutting Lever Shaft Crank Set Screw .....
40060	14980	Thread (upper) Cutting Lever Spring .....
1241E	4015	Thread (upper) Cutting Lever Spring Screw Stud (2) .....
717c	4020	Thread (upper) Cutting Lever Stop Screw .....
1520E	4012	Thread (upper) Cutting Lever Stop Screw Nut .....
19159	14981	Thread Guide Body .....
19161	14981	" " Cap .....
19160	14981	" " Roller .....
905D	14981	" " Screw .....
19162	----	Thread Guide complete, Nos. 905D and 19159 to 19161 .....
12400	14981	Thread Retainer Sleeve .....
12401	14981	" " Spring .....
12402	14981	" " Stud .....
460c	4013	" " " Set Screw .....
12399	----	Thread Retainer complete, Nos. 12400 to 12402 .....

No.	Plate	Name
23523	14981	Thread Take-up Crank .....
1036c	14981	" " " Position Screw
1258c	14981	" " " Set Screw ..
23524	14981	" " " Lever .....
12166	14981	" " " Hinge Pin ....
23543	14981	" " " Link .....
11204	14981	" " " " Hinge Pin
435c	4058	" " " " " " "
		Set Screw .....
23525	---	Thread Take-up Lever complete, Nos. 12166, 23524 and 23543 ....
4784	4013	Thread Take-up Lever Oil Pad ....
39652	4009	" " " Spring .....
23526	14981	" " " Regulator ....
446c	4025	" " " " " Set Screw .....
23669	14981	Thread Take-up Spring Thread Guard .....
460c	4013	Thread Take-up Spring Thread Guard Set Screw .....

## ACCESSORIES

No.	Plate	Name
23530	14981	Gauge, for $\frac{1}{4}$ to $\frac{3}{4}$ in., for setting length of buttonhole .....
23500	14977	Shuttle Bobbin (5) .....
71 x 1	---	Needles, three each, sizes 11 and 14
23527	---	Drip Pan with two wood screws $\frac{1}{2}$ in., No. 5, R. H. B. ....
249515	---	Knife, $\frac{1}{4}$ inch .....
41401	14969	Machine Rest Pin (wood) .....
120346	14969	Oller (copper plated) with 120347
120347	14969	" Spout, 9 in. long .....
11831	4028	Screw Driver, 5 in. blade (machine, large) .....
*120088	---	Screw Driver Blade .....
*120090	---	" " Handle .....
26026	4028	Screw Driver, Nos. 120088 and 120090 .....
*120092	---	Screw Driver Blade .....
*120093	---	" " Ferrule .....
*120094	---	" " Handle with 120093 ..
26485	4028	Screw Driver, Nos. 120092 and 120094 .....
39734	14980	Thread (upper) Clamping Blade ..
249517	14979	" (lower) Cutting Blade .....
39735	14980	" (upper) Cutting Blade .....
10875	4028	Wrench, for 1518 and 1520 .....
21654	4028	" " 1508 and 1638 .....
23535	4028	" " 1671, for regulating length of buttonhole .....

## BOBBIN WINDER

### Swinging Automatic, Right Hand

27914	4029	Base with 27916 and two 28084 ....
27915	4029	" Plate .....
389F	4025	" Screw .....
15072	14981	Bobbin Position Pin .....
27916	4024	Brake (leather) .....
28084	4024	" Rivet .....
27302	4029	Frame .....
50356D	14981	" Hinge Screw .....
1620J	14981	" " " Nut .....
27917	4024	" Spring .....

No.	Plate	Name
27918	4029	Pulley .....
27538	4029	Spindle with 15072 .....
27919	4029	Stop Latch .....
35D	4025	" " Hinge Screw .....
27920	4029	Tension Bracket with 452c .....
27921	4029	Tension Bracket with rod complete, Nos. 27922 and 41336 .....
41336	—	Tension Bracket complete, Nos. 5989, 10145 and 27920 .....
2455	4024	Tension Disc .....
1562J	4024	" Regulating Thumb Nut ....
418D	4024	" Screw Stud .....
10141	4024	" Spring .....
10145	4024	" Thread Guide .....
5989	—	Tension complete, Nos. 418D, 1562J, 10141 and two 2455 .....
27922	4029	Thread Eyelet Rod .....
452c	4025	" " " Set Screw ....
27923	4029	Bobbin Winder, Nos. 35D, 1620J, 27302, 27538, 27914, 27917 to 27919 and 50356D .....
27924	—	Bobbin Winder (swinging auto- matic, right hand) complete, Nos. 27915, 27921, 27923 and two 389F

## IRON BASE

39910	4082	Bed Frame with two each 16555, 19398, four each 158E, 24106, six 14010 and four wood screws 1½ in., No. 12 .....
24106	4024	Bed Frame Cushion (felt) .....
158E	4024	" " " Screw .....
19226	4024	" " Hinge Connection .....
19398	—	" " " " 19226 with 211E and 19397 .....
19397	4024	Bed Frame Hinge Connection Cap
211E	4024	" " " " " " Screw .....
16555	4024	Bed Frame Hinge Plate .....
14010	4024	" " " " Rivet ....
39911	4084	Splash Guard .....
39912	4083	" " Hinge .....
200574E	11658	" " " Screw .....
201655F	11658	" " Locking Screw Wing Nut .....
39913	—	Bed Frame and Splash Guard com- plete, Nos. 39910, 39911, two 39912 and eight 200574E .....

## CLAMP LIFTING LEVER

No.	Plate	Name
249524	14969	Clamp Lifting Lever with 227954 ..
249525	14969	" " " Chain, 34½ in. long, with two 202784 .....
249526	14969	Clamp Lifting Lever Chain, 12½ in. long, with two 202784 .....
202784	14969	Clamp Lifting Lever Chain Hook
227954	14969	" " " " " (double) .....
225016	14981	Clamp Lifting Lever Hinge Pin ..
227953	14969	" " " Stand with two wood screws 1 in., No. 12 .....
249527	14969	Clamp Lifting Lever complete, Nos. 225016, 227953 and 249524 to 249526 .....

## TABLE BELT GUIDES

23536	4047	Belt Guide with two 168E .....
168E	4025	" " Set Screw .....
14229	4047	Bracket with 448c .....
23538	14969	Pulley .....
39708	4047	" Shaft with 858c .....
858c	4025	" " Oil Hole Plug Screw ..
448c	4015	" " Set Screw .....
39716	4047	Table Belt Guide (single, left) com- plete, Nos. 14229, 23536, 23538, 39708 and four wood screws 1½ in., No. 12, R.H.B. ....
39709	4047	Table Belt Guide (single, right) complete, Nos. 14229, 23536, 23538, 39708 and four wood screws 1½ in., No. 12, R.H.B. ....

## THREAD UNWINDER

225395	14263	Spool Rest (for two spools) with 201018c .....
225388	14263	Spool Rest Rod .....
200383c	14981	" " " Set Screw .....
201018c	14981	" " Set Screw .....
202490	14263	" Stand with 200383c .....
225391	14263	Thread Guide .....
201696J	14981	" " Lock Nut .....
225392	14263	" " Rod with 208E and 225393 .....

No.	Plate	Name
208E	4083	Thread Guide Rod Screw .....
225393	14981	" " " Washer .....
225396	14263	Thread Unwinder (for two spools) complete, Nos. 201696J, 202490, 225388, 225392, 225395, two 225391 and three wood screws $\frac{3}{8}$ in., No. 12 .....

## TREADLE

14209	14969	Treadle .....
39569	—	" Chain, 45 in. long, with 39575 and 39576 .....
39570	4047	Treadle Chain Guide Bracket .....
39571	4047	" " " Pulley .....
1064D	4025	" " " " Screw ..
39575	4024	" " Hook (lower) .....
39576	4024	" " " (upper) .....
39572	4047	Treadle Chain Guide complete, Nos. 39570, two each 1064D, 39571 and wood screws $1\frac{1}{2}$ in., No. 12, R.H.B.
23551	4024	Treadle Chain Screw Eye .....
7585	4010	" Shaft .....
14357	14969	" Stand .....
14358	14969	Treadle complete, Nos. 7585, 14209, 14357 and two wood screws $1\frac{1}{2}$ in., No. 12 .....

## KNIFE GRINDER

No.	Plate	Name
39886	—	Emery Wheel, 4 in. diameter .....
39887	4083	" " Driving Shaft .....
201510D	11658	" " " " Nut
204101	11658	" " " " "
		Washer .....
39888	4083	Emery Wheel Driving Shaft Oil Hole Cover .....
350068E	14981	Emery Wheel Driving Shaft Oil Hole Cover Screw .....
206963	11658	Emery Wheel Driving Shaft Pulley with two 200403c .....
200403c	11658	Emery Wheel Driving Shaft Pulley Set Screw .....
206969	—	Emery Wheel Washer (paper) .....
39889	4082	Knife Grinder Frame .....
39890	4086	" Holder (adjustable) .....
57c	4083	" " Hinge Screw .....
39891	4083	" " Indicator .....
203094	11658	" " " Position Pin .....
200165H	11658	" " " Screw .....
39892	4086	" " Slide Bracket with 200386c .....
201298c	11658	Knife Holder Slide Bracket Adjust- ing Screw .....
39893	4086	Knife Holder Slide Bracket Adjust- ing Screw Slide Plate .....
200577H	11658	Knife Holder Slide Bracket Adjust- ing Screw Slide Plate Screw .....
10249	4083	Knife Holder Slide Bracket Adjust- ing Screw Tension Spring .....
219F	4008	Knife Holder Slide Bracket Adjust- ing Screw Tension Spring Screw
200386c	11658	Knife Holder Slide Bracket Set Screw .....
39894	4086	Knife Holder Slide Bracket Shaft
206232	11658	" " " " "
		Collar with 201052c .....
201052c	11658	Knife Holder Slide Bracket Shaft Collar Set Screw .....
771D	4083	Knife Holder Thumb Screw .....
9525	4083	" " " " Washer
39895	4083	" Holding Spring .....
39896	4083	" " " Bracket .....
204264	11658	" " " " Position Pin .....



## NUMERICAL LIST OF PARTS

No.	Plate	Name
32c	4025	Thread (lower) Cutting Blade Carrier Lever Hinge Screw .....
35b	4025	Bobbin Winder Stop Latch Hinge Screw, for 27923 .....
52c	14971	Clamp Carrier Connecting Rod Hinge Screw .....
54c	4014	Knife Bar Driving Lever (intermediate) Connecting Link Hinge Screw .....
57c	4083	Knife Grinder Knife Holder Hinge Screw, for 39898 .....
59b	14973	Clamp Lifting Arm Stop Pitman Hinge Screw (back) .....
61c	4020	Starting Lever Red Hinge Screw ..
67b	4008	Clamp Carrier Slide Lever Regulator Screw .....
78b	4021	Stop Lever Hinge Screw .....
90b	4058	Feed Hand Ratchet Lever Pawl Hinge Screw .....
90c	4058	Knife Bar Disengaging Lever Catch Hinge Screw .....
90c	4058	Knife Bar Disengaging Lever Hinge Screw .....
90c	4058	Tension Releasing Lever Hinge Screw .....
90c	4058	Thread (upper) Cutting Blade Opener Lever Hinge Screw ....
106c	4057	Thread (upper) Cutting Blade Connecting Rod Hinge Screw .....
123E	4020	Starting Lever Bracket Screw ....
124E	14979	" " Stop Screw .....
135b	4025	Bobbin Winder Tension Bracket Screw .....
145E	14973	Feed Connecting Rod Cap Screw, for 23672 .....
145E	14973	Shuttle Race Screw .....
150c	4012	Feed Wheel Cap Screw .....
157E	4015	Clamp Lifting Arm Connection Roller and Screw Stud Bracket Screw .....
157b	4015	Knife Bar Disengaging Lever Catch Bracket Screw .....
157c	4015	Knife Holder Screw .....



No.	Plate	Name
158E	4024	Bed Frame Cushion Screw, for 39910 .....
159F	4020	Starting Lever Belt Shifter Screw
168E	4025	Table Belt Guide Set Screw, for 23536 .....
175D	4015	Knife Bar Disengaging Lever Catch Tripping Point Screw .....
176D	4083	Knife Grinder Knife Holding Spring Bracket Screw, for 39898 .....
179E	14973	Feed Wheel Tripping Lever Stop Screw .....
181D	4013	Thread (upper) Cutting Blade Opener Lever Trip Bracket Screw
185H	4098	Feed Wheel Driving Lever Block Adjusting Screw Bracket Screw
190D	4013	Arm Side Cover Screw .....
190D	4013	Feed Wheel Tripping Lever Spring Screw .....
190C	4013	Needle Bar Frame Pitman Adjusting Screw, for 23676 .....
190D	4013	Thread (upper) Cutting Blade Opener Lever Latch Screw ....
191C	14971	Clamp Arm Bracket Screw .....
191C	14971	Knife Screw .....
196F	14971	Clamp Arm Hinge Block Pin Set Screw, for 39584 .....
196F	14971	Feed Wheel Driving Lever Pitman Cap Screw, for 23428 .....
199D	4059	Clamp Lifting Arm Screw .....
200F	4057	Thread (upper) Cutting Lever Shaft Crank Set Screw, for 249523 .....
201F	14979	Tension Releaser Set Screw, for 39632 .....
203C	4012	Feed Wheel Tripping Lever Point Screw .....
203F	4012	Thread (upper) Cutting Blade Connecting Rod Spring Bracket Screw .....
206F	4057	Thread (upper) Cutting Lever Shaft Crank Latch Spring Screw, for 249523 .....
207E	4012	Clamp Lifting Arm Connection Follower Cap Screw .....
207E	4012	Feed Hand Ratchet Lever Pawl Point Screw, for 39522 .....
208D	4083	Knife Grinder Knife Stop Screw, for 39898 .....
208E	4083	Thread Unwinder Thread Guide Rod Screw, for 225392 .....

No.	Plate	Name
209C	---	Thread (upper) Cutting Blade Connecting Rod Collar (back) Set Screw, for 40043 .....
211E	4024	Bed Frame Hinge Connection Cap Screw, for 19398 .....
212D	14971	Clamp Check Holder Hinge Cap Screw .....
214D	4013	Feed Hand Ratchet Lever Pawl Spring Screw, for 23413 and 39567
217F	4025	Clamp Arm Bracket Guide (right) Screw .....
217F	4025	Face Plate Screw .....
217F	4025	Tension Thread Eyelet Screw ....
219F	4008	Clamp Arm Bracket Guide (left) Screw .....
219F	4008	Knife Grinder Knife Holder Slide Bracket Adjusting Screw Tension Spring Screw, for 39898 .....
219F	4008	Thread (upper) Cutting Blade Screw, for 249503 .....
220D	4012	Feed Wheel Tripping Point Screw, for 39552 .....
223D	4008	Clamp Carrier Slide Lever Regulator Cap Screw .....
226D	14977	Oscillating Shaft Crank Slide Block Cap Screw, for 24050 .....
228F	4058	Clamp Check Position Plate Screw
229D	4014	" Lifting Arm Connection Roller Cap Screw, for 1901 .....
229D	4014	Knife Bar Driving Lever (intermediate) Roller Cap Screw, for 1959 .....
229D	4014	Needle Bar Frame Regulator Roller Cap Screw, for 1956 .....
233D	14973	Feed Wheel Retaining Clutch Spring Screw .....
236F	14980	Thread (upper) Cutting Blade Opener Lever Spring Screw ....
237D	4057	Clamp Check Holder Stop Screw..
237F	4057	Thread (upper) Cutting Blade Connecting Rod Collar (front) Set Screw, for 40044 .....
240D	4015	Clamp Carrier Regulator Stud Stop Screw, for 40010 .....
240D	4015	Knife Bar Disengaging Lever Stop Screw .....
240D	4015	Thread (lower) Cutting Blade Screw .....
375C	4025	Feed Connecting Rod Hinge Screw

## Numerical List of Parts

No.	Plate	Name
389F	4025	Bobbin Winder Base Plate Screw..
389F	4025	" " " Screw, for 27924 .....
391J	14979	Shuttle Race Ring Screw, for 39980
402D	14973	Clamp Plate Support Screw .....
404D	14971	" Carrier Block Plate Screw, for 40006 .....
404D	14971	Clamp Carrier Plate Screw (front)
404D	14971	Feed Wheel Driving Lever Plate Screw .....
404D	14971	Needle Plate Screw .....
413F	14979	Stop Screw Stud .....
418D	4024	Bobbin Winder Tension Screw Stud, for 5989 .....
435C	4058	Arm Shaft Flanged Bushing (back) Set Screw .....
435C	4058	Thread (lower) Cutting Blade Car- rier Lever Stop Screw .....
435C	4058	Thread Take-up Lever Link Hinge Pin Set Screw .....
446C	4025	Thread Take-up Spring Regulator Set Screw .....
448C	4015	Feed Eccentric Set Screw, for 23412 .....
448C	4015	Feed Rock Shaft Hinge Pin Set Screw .....
448C	4015	Knife Bar Disengaging Lever Catch Tripping Point Collar Set Screw, for 23467 .....
448C	4015	Oscillating Rock Shaft Hinge Pin Set Screw .....
448C	4015	Table Belt Guide Pulley Shaft Set Screw, for 14229 .....
452C	4025	Bobbin Winder Thread Eyelet Rod Set Screw, for 27920 .....
453C	4013	Feed Hand Ratchet Lever Collar Set Screw, for 23414 .....
453C	4013	Needle Bar Frame Driving Bevel Pinion Set Screw, for 39967 .....
457C	4012	Feed Wheel Shaft Oil Hole Plug Screw .....
457C	4012	Stop Cam Spring Stop Screw Set Screw .....
460C	4013	Feed Hand Ratchet Wheel Set Screw, for 23416 .....
460C	4013	Thread Retainer Stud Set Screw ..
460C	4013	" Take-up Spring Thread Guard Set Screw .....
462C	14978	Shuttle Driver Set Screw, for 23505
564C	4020	Starting Lever Screw Center .....

## Numerical List of Parts

No.	Plate	Name
591F	14978	Shuttle Tension Regulating Screw, for 39991 .....
592E	14977	Shuttle Bobbin Case Latch Stop Screw, for 39991 .....
602E	4098	Feed Wheel Driving Lever Block Lock Spring Screw, for 39597 ..
625F	4009	Clamp Arm Adjusting Screw .....
641C	14973	" Lifting Arm Connection Stop Screw .....
641C	14973	Thread (upper) Cutting Lever Set Screw, for 40051 .....
641C	14973	Thread (upper) Cutting Lever Shaft Collar Set Screw, for 39661 .....
646F	4057	Thread (upper) Cutting Blade Con- necting Rod Spring Collar Set Screw, for 40047 .....
648D	14979	Shuttle Race Back Spring Screw, for 39982 .....
662D	14979	Shuttle Race Cap Screw, for 39980
673E	14977	Needle Bar Frame Screw Center..
690D	14980	Thread (upper) Cutting Blade Opener Lever Trip Bracket Screw
717C	4020	Starting Lever Adjusting Screw ..
717C	4020	Thread (upper) Cutting Lever Stop Screw .....
721D	4098	Feed Wheel Retaining Clutch Spring Stop Screw .....
748E	4025	Arm Screw (back) .....
756D	14971	Clamp Carrier Guide (left) Screw (long), for 39605 .....
766D	4057	Thread (upper) Cutting Lever Shaft Crank Latch Hinge Screw
769C	4098	Feed Wheel Driving Lever Block Adjusting Screw, for 39594 .....
771D	4083	Knife Grinder Knife Holder Thumb Screw, for 39898 .....
793D	4083	Knife Grinder Knife Holding Spring Thumb Screw, for 39898 .....
794E	14973	Needle Bar Connecting Link Ad- justing Screw, for 23476 .....
805C	4014	Knife Bar Driving Lever Spring Screw .....
808F	4025	Arm Top Cover Screw .....
858C	4025	Needle Bar Crank Set Screw, for 23477 .....
858C	4025	Table Belt Guide Pulley Shaft Oil Hole Plug Screw, for 39708 .....
868E	4025	Arm Screw (front) .....
896E	4025	Crank Connecting Rod Cap Screw, for 24028 .....

No.	Plate	Name
898C	4098	Feed Wheel Driving Lever Block Adjusting Screw Clamping Screw, for 39594 .....
898C	4098	Feed Wheel Retaining Clutch Cap Screw .....
904F	14977	Needle Set Screw, for 39600 .....
905D	14981	Thread Guide Screw, for 19162 ...
906C	14980	" (upper) Cutting Blade Shaft Crank Set Screw, for 40050 ....
908C	14973	Crank Connecting Rod Hinge Screw
913C	4021	Stop Cam Interlocking Rod Spring Regulating Thumb Screw .....
914F	4008	Clamp Carrier Slide Guide (left) Screw .....
914F	4008	Clamp Carrier Slide Guide (right) Screw .....
934H	14979	Thread (lower) Cutting Blade Friction Plate Screw .....
940F	4058	Clamp Lifting Arm Connection Lock Hinge Screw .....
940F	4058	Tension Releasing Lever Connection Screw (front) .....
966D	4025	Thread (upper) Cutting Lever Shaft Bracket Screw .....
974F	4058	Tension Releasing Lever Connection Screw (back) .....
997E	4021	Stop Cam Spring Cover Screw ....
999F	14979	Tension Releaser Holder Hinge Screw .....
1021E	14973	Needle Bar Connecting Link Cap Screw .....
1035C	14977	Oscillating Shaft Crank Slide Block Screw Stud, for 24050 .....
1036C	14981	Thread Take-up Crank Position Screw, for 23477 .....
1038C	14973	Needle Bar Frame Regulator Adjusting Screw .....
1042F	14973	Needle Bar Frame Pitman Hinge Screw .....
1049E	4013	Feed Hand Ratchet Lever Pawl Point Position Screw, for 39522..
1049E	4013	Feed Hand Ratchet Lever Pawl Stop Screw, for 23413 .....
1064D	4025	Treadle Chain Guide Pulley Screw, for 39572 .....
1065C	4025	Needle Bar Crank Position Screw, for 23477 .....
1069D	4025	Arm Shaft Screw .....
1070C	4020	Stop Cam Interlocking Rod Guide Set Screw, for 23514 .....

No.	Plate	Name
1144F	4057	Thread (upper) Cutting Lever Shaft Crank Latch Spring Screw, for 40057 .....
1222C	4014	Knife Bar Driving Lever (intermediate) Hinge Screw .....
1230F	14971	Clamp Carrier Guide (right) Screw
1231F	14971	" Arm Screw .....
1231F	14971	" Carrier Plate Screw (back)..
1232C	14971	" " Regulator Hinge Screw
1234C	4008	" " Slide Regulating Stud.
1235F	4009	Bed Oil Guard Screw .....
1235F	4009	Clamp Plate Screw .....
1236E	4012	Feed Wheel Driving Lever Regulating Stud .....
1237C	4012	Feed Wheel Friction Ring Screw..
1239D	4015	Knife Bar Connecting Link Hinge Cap Screw .....
1240C	4015	Knife Bar Connecting Link Hinge Screw .....
1241E	4015	Knife Bar Disengaging Lever Catch Spring Screw Stud .....
1241E	4015	Thread (lower) Cutting Blade Carrier Lever Spring Screw Stud ...
1241E	4015	Thread (upper) Cutting Lever Spring Screw Stud .....
1242E	4015	Knife Bar Disengaging Lever Spring Screw .....
1243C	4014	Knife Holder Guide Stud .....
1244C	14973	Needle Bar Frame Cam and Bevel Gear Screw .....
1253C	14977	Oscillating Shaft Crank Set Screw, for 39658 .....
1255D	14973	Clamp Lifting Arm Connection Lock Trip Lever Screw .....
1256D	4008	Clamp Carrier Slide Screw .....
1257E	4012	Feed Wheel Tripping Lever Hinge Screw .....
1258C	14981	Thread Take-up Crank Set Screw, for 23477 .....
1290C	4014	Knife Bar Driving Lever Hinge Screw .....
1294C	4009	Clamp Spring Bushing Position Stud .....
1296C	14971	Clamp Check Hinge Screw .....
1319F	4015	Knife Bar Connecting Stud Clamping Screw, for 23462 .....
1341C	14973	Needle Bar Connecting Stud Set Screw, for 39601 .....
1345D	4059	Clamp Carrier Guide (left) Screw (short), for 39605 .....

No.	Plate	Name
1348c	4098	Clamp Check Section and Cutting Plate Support Stud, for 249502 ..
1349c	14979	Stop Cam Spring Stop Screw ....
1350c	14980	Thread (lower) Pull-off Finger Hinge Screw .....
1351c	14971	Thread (lower) Cutting Lever Ball Screw .....
1352c	4057	Thread (upper) Cutting Lever Lock Pin Screw Bushing .....
1387c	14979	Tension Releaser Guide Screw Stud
1428c	4014	Knife Bar Driving Lever Screw Stud .....
1508E	4020	Starting Lever Screw Center Nut..
1517E	14977	Needle Bar Frame Screw Center Nut .....
1518E	4025	Feed Connecting Rod Hinge Screw Nut .....
1518E	4025	Starting Lever Stop Screw Nut ...
1520E	4012	Clamp Carrier Regulator Roller and Screw Stud Nut, for 1960 .....
1520E	4012	Clamp Carrier Slide Lever Roller and Screw Stud Nut, for 1960 ..
1520J	4012	Clamp Lifting Arm Connection Follower Hinge Screw Nut .....
1520E	4012	Feed Wheel Friction Ring Screw Nut .....
1520E	4012	Knife Bar Driving Lever Screw Stud Nut .....
1520E	4012	Starting Lever Adjusting Screw Nut .....
1520E	4012	Thread (lower) Cutting Blade Carrier Lever Stop Screw Nut ...
1520E	4012	Thread (lower) Cutting Lever Ball Screw Nut .....
1520E	4012	Thread (upper) Cutting Lever Stop Screw Nut .....
1521E	14979	Tension Releaser Guide Screw Stud Nut .....
1547D	4009	Clamp Arm Adjusting Screw Nut ..
1547c	4009	Knife Holder Screw Nut .....
1547D	4009	Needle Bar Frame Pitman Hinge Screw Nut .....
1550H	4009	Clamp Spring Bushing Position Stud Nut .....
1560c	14979	Tension Regulating Thumb Nut ..
1562J	4024	Bobbin Winder Tension Regulating Thumb Nut, for 5989 .....
1589c	14973	Needle Bar Frame Regulator Adjusting Screw Thumb Nut .....

No.	Plate	Name
1608c	4014	Knife Holder Guide Stud Nut ....
1611E	4059	Clamp Lifting Arm Stop Hinge Screw Nut .....
1619E	4025	Crank Connecting Rod Hinge Screw Nut .....
1620J	14981	Bobbin Winder Frame Hinge Screw Nut, for 27923 .....
1636E	14977	Oscillating Shaft Crank Slide Block Screw Stud Nut, for 39658 .....
1638E	4021	Stop Cam Interlocking Rod Spring Regulating Thumb Screw Nut ..
1655E	14977	Needle Bar Frame Regulator Roller and Screw Stud Nut, for 1956 ..
1658c	4008	Clamp Carrier Slide Regulating Stud Thumb Nut .....
1658A	4008	Feed Wheel Driving Lever Regulating Stud Thumb Nut .....
1659c	4009	Clamp Pressure Regulating Thumb Nut .....
1671c	4009	Clamp Carrier Regulator Stud Nut
1673c	4014	Knife Bar Stop Lock Nut, for 39565
1901	4059	Clamp Lifting Arm Connection Roller and Screw Stud with 229D and 12424 .....
1956	14973	Needle Bar Frame Regulator Roller and Screw Stud with 229D, 1655E and 23389, for 23677 .....
1959	4014	Knife Bar Driving Lever (intermediate) Roller and Screw Stud with 229D and 12424, for 23514 ..
1960	14971	Clamp Carrier Regulator Roller and Screw Stud with 1520E, for 40010
1960	14971	Clamp Carrier Slide Lever Roller and Screw Stud Nut with 1520E, for 23394 .....
1963	4015	Knife Bar Disengaging Lever Catch Roller and Stud, for 23464 .....
2080		Shuttle Bobbin Case Thread Guide Rivet, for 15628 .....
2103	14979	Tension Spring .....
2117	4012	Feed Wheel Pin .....
2117	4012	Thread (upper) Cutting Lever Pin
2254	4098	Feed Wheel Retaining Clutch ....
2256	4098	" " " " Spring
2269	14978	Shuttle Driver Pin .....
2269	14978	Thread (upper) Cutting Blade Shaft Crank Pin, for 249503 .....
2273	4057	Thread (upper) Cutting Blade Connecting Rod Collar (front) Pin

## Numerical List of Parts

No.	Plate	Name
2455	4024	Bobbin Winder Tension Disc, for 5989 .....
2523	14977	Shuttle Bobbin Case Position Finger Rivet, for 39991 .....
2532	14978	Shuttle Race Back Position Pin, for 39982 .....
2533	14979	Shuttle Race Back Spring, for 39982
2973	14977	" Bobbin Case Latch Lever, for 15141 .....
2974	14977	Shuttle Bobbin Case Latch Lever Fulcrum Pin, for 15141 .....
2975	14977	Shuttle Bobbin Case Latch Spring, for 39991 .....
3012	4013	Feed Hand Ratchet Wheel Pin ...
4784	4013	Arm Shaft Oil Pad .....
4784	4013	Oscillating Rock Shaft Oil Pad, for 39654 .....
4784	4013	Thread Take-up Lever Oil Pad, for 23478 .....
5989	—	Bobbin Winder Tension complete, Nos. 418D, 1562J, 10141 and two 2455, for 41336 .....
7070	14973	Feed Wheel Driving Lever Regulating Stud Sleeve .....
7070	14973	Needle Bar Frame Regulator Adjusting Screw Sleeve .....
7071	4008	Needle Bar Frame Pitman Adjusting Screw Washer, for 23676 ...
7071	4008	Thread (upper) Cutting Blade Connecting Rod Spring Bracket Screw Washer .....
7071	4008	Thread (upper) Cutting Blade Opener Lever Latch Screw Washer .....
7278	4008	Clamp Carrier Slide Lever Socket Joint .....
7326	14978	Shuttle Race Cap, for 39980 .....
7585	4010	Treadle Shaft, for 14358 .....
8582	4013	Arm Dowel Pin .....
8582	4013	Starting Lever Bracket Dowel Pin
9525	4083	Knife Grinder Knife Holder Thumb Screw Washer, for 39898 .....
9525	4083	Thread (upper) Cutting Blade Opener Lever Trip Bracket Screw Washer .....
9540	4021	Stop Lever Spring .....
9780	4021	" Cam Spring Cover Position Pin, for 23517 .....
10141	4024	Bobbin Winder Tension Spring, for 5989 .....

## Numerical List of Parts

No.	Plate	Name
10145	4024	Bobbin Winder Tension Thread Guide, for 41336 .....
10249	4083	Knife Grinder Knife Holder Slide Bracket Adjusting Screw Tension Spring, for 39898 .....
10875	4028	Wrench, for 1518 and 1520 .....
11204	14981	Thread Take-up Lever Link Hinge Pin .....
11831	4028	Screw Driver, 5 in. blade (machine, large) .....
12166	14981	Thread Take-up Lever Hinge Pin, for 23525 .....
*12204	—	Feed Connecting Rod Cap, for 23672
12357	14970	Arm Shaft Flanged Bushing (back)
12399	—	Thread Retainer complete, Nos. 12400 to 12402 .....
Nos. 12400 to 12402, for 12399		
12400	14981	Thread Retainer Sleeve .....
12401	14981	" " Spring .....
12402	14981	" " Stud .....
12424	4014	Clamp Lifting Arm Connection Roller Cap Screw Washer, for 1901
12424	4014	Knife Bar Driving Lever (intermediate) Roller Cap Screw Washer, for 1959 .....
12424	4014	Oscillating Shaft Crank Slide Block Cap Screw Washer, for 24050 ..
12538	14980	Thread (upper) Cutting Lever Shaft Collar Pin .....
12648	14980	Thread (upper) Cutting Blade Opener Lever Spring .....
13218	4013	Feed Hand Ratchet Lever Pawl Spring .....
14010	4024	Bed Frame Hinge Plate Rivet, for 39910 .....
14017	4012	Feed Wheel Friction Ring Screw Washer .....
14174	14979	Starting Lever Spring .....
14209	14969	Treadle, for 14358 .....
14229	4047	Table Belt Guide Bracket with 448c, for 39709 and 39716 .....
14357	14969	Treadle Stand, for 14358 .....
14358	14969	Treadle complete, Nos. 7585, 14209, 14357 and two wood screws 1 1/2 in., No. 12 .....
15072	14981	Bobbin Winder Bobbin Position Pin, for 27538 .....

## Numerical List of Parts

No.	Plate	Name
15140	14977	Shuttle Bobbin Case Latch, for 15141 .....
15141	—	Shuttle Bobbin Case Hinge, Nos. 2973, 2974 and 15140, for 39991..
15628	14977	Shuttle Bobbin Case Thread Guide with two 2080, for 39991 .....
16555	4024	Bed Frame Hinge Plate, for 39910..
Nos. 19159 to 19161, for 19162		
19159	14981	Thread Guide Body .....
19160	14981	" " Roller .....
19161	14981	" " Cap .....
19162	—	Thread Guide complete, Nos. 905D and 19159 to 19161 .....
19226	4024	Bed Frame Hinge Connection, for 19398 .....
19397	4024	Bed Frame Hinge Connection Cap, for 19398 .....
19398	—	Bed Frame Hinge Connection 19226 with 211E and 19397, for 39910 ..
19448	14977	Oscillating Shaft Crank Slide Block, for 24050 .....
21643	4020	Starting Lever Belt Shifter .....
21651	4021	Stop Cam Interlocking Rod Spring
21654	4028	Wrench, for 1508 and 1538 .....
21699	4098	Thread (upper) Cutting Blade Posi-Pin, for 40049 .....
23352	14969	Arm Shaft .....
23379	14971	Clamp Arm Hinge Block .....
23380	14971	" " " " Pin .....
23384	14971	" Carrier Connecting Rod .....
23389	14977	Needle Bar Frame Regulator Roller Cap Screw Washer, for 1956 .....
23390	4014	Knife Screw Washer .....
23392	4008	Clamp Carrier Slide Guide (left) ..
23393	4008	" " " " (right) ..
23394	14970	" " " Lever with 1960
23395	14970	" " " " Regulator
23396	4008	" " " " " "
		Cap .....
23397	4008	Clamp Carrier Slide Regulating Stud Bushing .....
23404	4009	Clamp Spring .....
23406	14969	Face Plate .....
23412	4013	Feed Eccentric with 448c .....
23413	14974	" Hand Ratchet Lever with 214D and 1049E .....
23414	4013	Feed Hand Ratchet Lever Collar with two 453c .....

## Numerical List of Parts

No.	Plate	Name
23416	4013	Feed Hand Ratchet Wheel with 460c .....
23418	14974	Feed Rock Shaft, for 23419 .....
23419	—	Feed Rock Shaft complete, Nos. 23418 and 23420 .....
23420	14974	Feed Rock Shaft Hinge Pin with 23421, for 23419 .....
23421	4013	Feed Rock Shaft Hinge Pin Plug (leather), for 23420 .....
23421	4013	Oscillating Rock Shaft Hinge Pin Oil Hole Plug (leather), for 23494
23424	4010	Feed Wheel Driving Lever .....
23427	4010	" " " " Plate ..
23428	4012	" " " " Pitman
		with 23429, 50088c and two 196E
*23429	—	Feed Wheel Driving Lever Pitman Cap, for 23428 .....
23431	4010	Feed Wheel Shaft .....
23432	4012	" " Tripping Point, for 39552 .....
23433	4010	Feed Wheel Tripping Lever .....
23435	4013	" " " " Spring
23460	4010	Knife Bar .....
23461	4015	" " Connecting Link .....
23462	4015	" " " Stud with 1319E
23463	4015	" " Disengaging Lever .....
23464	4015	" " " " Catch
		with 1963 .....
23465	4015	Knife Bar Disengaging Lever Catch Bracket .....
23466	4015	Knife Bar Disengaging Lever Catch Tripping Point .....
23467	4015	Knife Bar Disengaging Lever Catch Tripping Point Collar with two 448c .....
23468	4015	Knife Bar Disengaging Lever Catch Spring .....
23469	4010	Knife Bar Driving Lever .....
23470	4010	" " " " (intermediate) .....
23471	4014	Knife Bar Driving Lever (intermediate) Connecting Link .....
23473	4014	Knife Holder .....
23476	14973	Needle Bar Connecting Link with 794E .....
23477	4010	Needle Bar Crank with 858c, 1036c, 1065c and 1258c .....
23478	14969	Needle Bar Frame with 4784 .....
23494	14974	Oscillating Rock Shaft Hinge Pin with 23421, for 39654 .....

## Numerical List of Parts

No.	Plate	Name
23497	14975	Pulley (loose) .....
23499	14975	" (tight) Counterbalance, for 23517 .....
23500	14977	Shuttle Bobbin, for 39993 .....
23503	14978	" Body, for 39993 .....
23505	14979	" Driver with 462c .....
23510	14975	Starting Lever Bracket .....
23511	14975	" " Rod .....
23514	4020	Stop Cam Interlocking Rod Guide with 1070c and 1959 .....
23515	4021	Stop Cam Spring (long) .....
23516	4021	" " " (short) .....
23517	14975	" " " Cover with 23499, two each 9780 and 28034 .....
23518	4010	Stop Lever .....
23523	14981	Thread Take-up Crank .....
23524	14981	" " Lever, for 23525 ...
23525	—	Thread Take-up Lever complete, Nos. 12166, 23524 and 23543 ....
23526	14981	Thread Take-up Spring Regulator
23527	—	Drip Pan with two wood screws $\frac{1}{2}$ in., No. 5, R.H.B. ....
23530	14981	Gauge, for $\frac{1}{4}$ to $\frac{3}{4}$ in., for setting length of buttonhole .....
23535	4028	Wrench, for 1671, for regulating length of buttonhole .....
23536	4047	Table Belt Guide with two 168E, for 39709 and 39716 .....
23538	14969	Table Belt Guide Pulley, for 39709 and 39716 .....
23543	14981	Thread Take-up Lever Link, for 23525 .....
23548	4014	Knife Bar Stop Plug (fibre), for 39565 .....
23551	4024	Treadle Chain Screw Eye .....
Nos. 23552 to 23554, for 23555		
23552	4010	Feed Wheel Friction Ring Section (long) .....
23553	4010	Feed Wheel Friction Ring Section (short) .....
23554	4012	Feed Wheel Friction Ring Spring
23555	—	Feed Wheel Friction Ring complete, Nos. 23552 to 23554 .....
23573	14972	Clamp Plate Support .....
23574	4009	" Post .....
23587	4012	Feed Wheel Tripping Lever Point
23606	4015	Knife Bar Disengaging Lever Spring

## Numerical List of Parts

No.	Plate	Name
23606	4015	Thread (upper) Cutting Blade Con- necting Rod Spring .....
23610	—	Needle Bar Frame Pitman (hinge screw end), for 23676 .....
23667	14977	Needle Bar Frame Regulator Stud
23669	14981	Thread Take-up Spring Thread Guard .....
23672	14972	Feed Connecting Rod with 12204 and two 145E .....
23675	—	Needle Bar Frame Pitman (regu- lator end), for 23676 .....
23676	14974	Needle Bar Frame Pitman (adjust- able) complete, Nos. 23610, 23675, two each 190c and 7071 .....
23677	14974	Needle Bar Frame Regulator with 1956 .....
23681	4014	Knife Bar Driving Lever Spring ..
23682	4014	" " Spring .....
23693	4009	Clamp Spring Bushing .....
24028	14972	Crank Connecting Rod with 24085 and two 896E .....
24047	4013	Oscillating Shaft Bushing (front)
24050	—	Oscillating Shaft Crank Slide Block complete, Nos. 226D, 1035c, 12424 and 19448, for 39658 .....
*24081	—	Arm Shaft Bushing (front), for 39644 .....
24085	—	Crank Connecting Rod Cap, for 24028 .....
24106	4024	Bed Frame Cushion (felt), for 39910
26026	4028	Screw Driver, Nos. 120088 and 120090 .....
26485	4028	Screw Driver, Nos. 120092 and 120094 .....
27302	4029	Bobbin Winder Frame, for 27923 ..
27538	4029	" " Spindle with 15072, for 27923 .....
27914	4029	Bobbin Winder Base with 27916 and two 28084, for 27923 .....
27915	4029	Bobbin Winder Base Plate, for 27924 .....
27916	4024	Bobbin Winder Brake (leather), for 27914 .....
Nos. 27917 to 27919, for 27923		
27917	4024	Bobbin Winder Frame Spring ....
27918	4029	" " Pulley .....
27919	4029	" " Stop Latch .....
27920	4029	" " Tension Bracket with 452c, for 41336 .....

No.	Plate	Name
27921	4029	Bobbin Winder Tension Bracket with Rod complete, Nos. 27922 and 41336, for 27924 .....
27922	4029	Bobbin Winder Thread Eyelet Rod, for 27921 .....
27923	4029	Bobbin Winder, Nos. 35D, 1620J, 27302, 27538, 27914, 27917 to 27919 50356D, for 27924 .....
27924	—	Bobbin Winder (swinging automatic, right hand) complete, Nos. 27915, 27921, 27923 and two 389F .....
28034	4020	Pulley (tight) Counterbalance Rivet, for 23517 .....
28084	4024	Bobbin Winder Brake Rivet, for 27914 .....
32012	14979	Tension Disc .....
39504	14973	Feed Wheel Driving Lever Block Adjusting Screw Clamping Screw Washer, for 39594 .....
39504	14973	Feed Wheel Retaining Clutch Cap Screw Washer .....
39522	14974	Feed Hand Ratchet Lever Pawl complete, Nos. 207E, 39523, 39567 and two 1049E .....
39523	4012	Feed Hand Ratchet Lever Pawl Point, for 39522 .....
39532	14971	Clamp Carrier Regulator Stud Sleeve .....
39538	4047	Bed Oil Guard .....
39541	14973	Clamp Arm Bracket Screw Washer
39541	14973	" Lifting Arm Connection Roller and Screw Stud Bracket Screw Washer .....
39544	14970	Clamp Carrier Regulator Slide ..
39552	14969	Feed Wheel with 23432 and two 220D .....
39565	—	Knife Bar Stop complete, Nos. 1673C, 23548 and 39566 .....
39566	4014	Knife Bar Stop, for 39565 .....
39567	—	Feed Hand Ratchet Lever Pawl with 214D, for 39522 .....
39569	—	Treadle Chain, 45 in. long, with 39575 and 39576 .....
39570	4047	Treadle Chain Guide Bracket, for 39572 .....
39571	4047	Treadle Chain Guide Pulley, for 39572 .....
39572	4047	Treadle Chain Guide complete, Nos. 39570, two each 1064D, 39571 and wood screws 1½ in., No. 12, R.H.B.

No.	Plate	Name
39575	4024	Treadle Chain Hook (lower), for 39569 .....
39576	4024	Treadle Chain Hook (upper), for 39569 .....
39580	14975	Stop Cam Interlocking Rod .....
39583	14971	Clamp Carrier Regulator Stud Stop, for 40010 .....
39584	14970	Clamp Arm Bracket with 196F .....
39591	14971	" Carrier Guide (left), for 39605 .....
39594	4098	Feed Wheel Driving Lever Block Adjusting Screw Bracket with 769C, 898C and 39504 .....
39595	4098	Feed Wheel Retaining Clutch Cap
39596	4098	" " " " Stud
39597	4098	" " " " Driving Lever Block with 602E and 39598 .....
39598	4098	Feed Wheel Driving Lever Block Lock Spring, for 39597 .....
39600	14974	Needle Bar with 904F .....
39601	14973	" " Connecting Stud with 1341C .....
*39603	—	Bed .....
39604	4055	Clamp Carrier Plate .....
39605	14969	" " Slide with 1345D, 39591 and two 756D .....
39610	4057	Thread (upper) Cutting Blade Connecting Rod .....
39611	4057	Thread (upper) Cutting Blade Connecting Rod Spring Bracket .....
39620	14970	Arm Side Cover .....
39623	14977	Shuttle Bobbin Case Position Finger, for 39991 .....
39627	4053	Starting Lever .....
39628	4059	Stop Cam with 39629 and 202330 ..
39629	4059	" " Pin, for 39628 .....
39632	—	Tension Releaser Holder with 201F ..
39633	4058	" Releasing Lever .....
39634	4058	" " " Connection
39636	14979	" Thread Eyelet (double) ...
39637	4021	Stop Cam Spring Stop Block .....
39638	4021	" " " " Screw Block
*39644	—	Arm with 24081 .....
39645	4059	Clamp Carrier Guide (right) .....
39647	14970	" Arm .....
39650	14971	" Check Holder .....
39652	4009	Thread Take-up Spring .....
39653	14974	Oscillating Rock Shaft, for 39654 ..
39654	—	Oscillating Rock Shaft complete, Nos. 4784, 23494 and 39653 .....



## Numerical List of Parts

No.	Plate	Name
39655	14974	Oscillating Shaft .....
39656	14977	" " Bushing (back)..
39657	—	" " Crank, for 39658..
39658	14977	Oscillating Shaft Crank complete, Nos. 1636E, 24050, 39657 and two 1253C .....
39659	4055	Arm Top Cover .....
39660	14979	Tension Releaser .....
39661	14980	Thread (upper) Cutting Lever Shaft Collar with 641c .....
39708	4047	Table Belt Guide Pulley Shaft with 858c, for 39709 and 39716 .....
39709	4047	Table Belt Guide (single, right) complete, Nos. 14229, 23536, 23538, 39708 and four wood screws 1¼ in., No. 12, R.H.B. ....
39715	14971	Clamp Check Holder Stop Screw Washer .....
39716	4047	Table Belt Guide (single, left) com- plete, Nos. 14229, 23536, 23538, 39708 and four wood screws 1¼ in., No. 12, R.H.B. ....
39734	14980	Thread (upper) Clamping Blade, for 249503 .....
39735	14980	Thread (upper) Cutting Blade, for 249503 .....
39736	4058	Thread (lower) Cutting Blade Car- rier Lever Spring .....
39754	14980	Thread (upper) Cutting Blade Opener Lever .....
39755	14980	Thread (upper) Cutting Blade Opener Lever Latch .....
Nos. 39886 to 39897, for 39898		
39886	—	Knife Grinder Emery Wheel, 4 in. diameter .....
39887	4083	Knife Grinder Emery Wheel Driv- ing Shaft .....
39888	4083	Knife Grinder Emery Wheel Driv- ing Shaft Oil Hole Cover .....
39889	4082	Knife Grinder Frame .....
39890	4086	" " Knife Holder (adjust- able) .....
39891	4083	Knife Grinder Knife Holder Indi- cator .....
39892	4086	Knife Grinder Knife Holder Slide Bracket with 200386c .....
39893	4086	Knife Grinder Knife Holder Slide Bracket Adjusting Screw Slide Plate .....

## Numerical List of Parts

No.	Plate	Name
39894	4086	Knife Grinder Knife Holder Slide Bracket Shaft .....
39895	4083	Knife Grinder Knife Holding Spring
39896	4083	" " " " "
		Bracket .....
39897	4083	Knife Grinder Knife Stop (adjust- able) .....
39898	—	Knife Grinder complete, Nos. 57c, 176D, 208D, 219F, 771D, 793D, 9525, 10249, 39886 to 39897, 200165U, 201298C, 201510D, 203094, 204101, 206963, 350068E, two each 200577U, 204264, 206232, 206969 and three wood screws 1¼ in., No. 12 .....
Nos. 39910 to 39912, for 39913		
39910	4082	Bed Frame with two each 16555, 19398, four each 158E, 24106, six 14010 and four wood screws 1¼ in., No. 12 .....
39911	4084	Splash Guard with 201655J .....
39912	4083	" " Hinge .....
39913	—	Bed Frame and Splash Guard com- plete, Nos. 39910, 39911, two 39912 and eight 200574E .....
39927	14975	Pulley 40024 with 40025 .....
39958	—	Knife, ¾ inch .....
39959	—	" ⅞ inch .....
39960	14973	" ½ inch .....
39961	—	" ⅝ inch .....
39962	—	" ⅞ inch .....
39963	—	" 1½ inch .....
39964	—	" ¾ inch .....
39967	14974	Needle Bar Frame Driving Bevel Pinion with two 453c .....
39968	14974	Needle Bar Frame Cam and Bevel Gear .....
39969	14978	Shuttle Race Back, for 39982 .....
39979	—	" " Body, for 39980 .....
39980	—	" " " 39979 with 7326, 39981, two each 391J and 662D, for 39982 .....
39981	14978	Shuttle Race Ring, for 39980 .....
39982	14978	Shuttle Race complete, Nos. 648D, 2533, 39969, 39980 and two 2532 ..
39988	14979	Stop Cam Interlocking Rod Guide Washer (rawhide) .....
39991	14977	Shuttle Bobbin Case complete, Nos. 591F, 592E, 2523, 2975, 15141, 15628, 39623 and 39992, for 39993 .....

## Numerical List of Parts

No.	Plate	Name
39992	14977	Shuttle Tension Spring, for 39991..
39993	14977	" 1½ in. diam., Nos. 23500, 23503 and 39991 .....
40003	4098	Clamp Arm Bracket Guide (left)..
40004	4098	" " " " (right)..
40006	14971	" Carrier Block with 40007 and four 404b .....
40007	—	Clamp Carrier Block Plate, for 40006 .....
40010	14970	Clamp Carrier Regulator with 240b, 1960 and 39583 .....
40016	4059	Clamp Lifting Arm Connection Rol- ler and Screw Stud Bracket ....
40017	4059	Clamp Lifting Arm Stop .....
40019	14972	" " " " Pitman ..
40020	4055	" Plate .....
40024	—	Pulley (tight), for 39927 .....
40025	14977	" " Pin, for 39927 .....
40036	4058	Thread (lower) Cutting Blade Car- rier with 40038 .....
40037	14976	Thread (lower) Cutting Blade Car- rier Lever .....
40038	4058	Thread (lower) Cutting Blade Car- rier Stud, for 40036 .....
40043	4057	Thread (upper) Cutting Blade Con- necting Rod Collar (back) with 209c .....
40044	4057	Thread (upper) Cutting Blade Con- necting Rod Collar (front) with 237f .....
40045	4057	Thread (upper) Cutting Blade Con- necting Rod Collar (front) Wash- er (rawhide) .....
40047	4057	Thread (upper) Cutting Blade Con- necting Rod Spring Collar with 646f .....
40049	4098	Thread (upper) Cutting Blade Shaft with 21699, for 249503 .....
40050	4098	Thread (upper) Cutting Blade Shaft Crank with 906c, for 249503 ....
40051	14976	Thread (upper) Cutting Lever with 641c .....
40052	4057	Thread (upper) Cutting Lever Lock Pin .....
40053	4057	Thread (upper) Cutting Lever Lock Pin Spring .....
40054	14976	Thread (upper) Cutting Lever Shaft .....
40057	4057	Thread (upper) Cutting Lever Shaft Crank Latch .....

## Numerical List of Parts

No.	Plate	Name
40058	4057	Thread (upper) Cutting Lever Shaft Crank Latch Spring .....
40059	4057	Thread (upper) Cutting Lever Shaft Crank Latch Stop Pin, for 249523 .....
40060	14980	Thread (upper) Cutting Lever Spring .....
40067	14976	Thread (upper) Cutting Lever Shaft Bracket .....
41336	—	Bobbin Winder Tension Bracket complete, Nos. 5989, 10145 and 27920, for 27921 .....
41401	14969	Machine Rest Pin (wood) .....
50088c	14973	Feed Wheel Driving Lever Pitman Ball Joint Screw, for 23428 .....
50138e	14971	Clamp Check Section and Cutting Plate Screw, for 249502 .....
50356d	14981	Bobbin Winder Frame Hinge Screw, for 27923 .....
60913	14263	Spool Weight with 60914 .....
60914	—	" " Center Pin, for 60913
*120088	—	Screw Driver Blade, for 26026 ....
*120090	—	" " Handle, for 26026 ....
*120092	—	" " Blade, for 26485 .....
*120093	—	" " Ferrule, for 120094 ..
*120094	—	" " Handle with 120093, for 26485 .....
120346	14969	Oiler (copper plated) with 120347
120347	14969	" Spout, 9 in. long, for 120346
200165h	11658	Knife Grinder Knife Holder Indi- cator Screw, for 39898 .....
200383c	14981	Thread Unwinder Spool Rest Rod Set Screw, for 202490 .....
200386c	11658	Knife Grinder Knife Holder Slide Bracket Set Screw, for 39892 ...
200403c	11658	Knife Grinder Emery Wheel Driv- ing Shaft Pulley Set Screw, for 206963 .....
200574e	11658	Splash Guard Hinge Screw, for 39913 .....
200577h	11658	Knife Grinder Knife Holder Slide Bracket Adjusting Screw Slide Plate Screw, for 39898 .....
201018c	14981	Thread Unwinder Spool Rest Set Screw, for 225395 .....
201052c	11658	Knife Grinder Knife Holder Slide Bracket Shaft Collar Set Screw, for 206232 .....
201295e	14973	Clamp Lifting Arm Connection Lock Spring Screw Stud .....

No.	Plate	Name
201298c	11658	Knife Grinder Knife Holder Slide Bracket Adjusting Screw, for 39898 .....
201510D	11658	Knife Grinder Emery Wheel Driving Shaft Nut, for 39898 .....
201655J	11658	Splash Guard Locking Screw Wing Nut, for 39911 .....
201696J	14981	Thread Unwinder Thread Guide Lock Nut, for 225396 .....
202330	—	Stop Cam Oil Packing (wick), for 39628 .....
202490	14263	Thread Unwinder Spool Stand with 200383c, for 225396 .....
202784	14969	Clamp Lifting Lever Chain Hook, for 249525 and 249526 .....
203094	11658	Knife Grinder Knife Holder Indicator Position Pin, for 39898 ...
204101	11658	Knife Grinder Emery Wheel Driving Shaft Nut Washer, for 39898
204264	11658	Knife Grinder Knife Holding Spring Bracket Position Pin, for 39898..
204264	11658	Knife Grinder Knife Holding Spring Position Pin, for 39898 .....
206232	11658	Knife Grinder Knife Holder Slide Bracket Shaft Collar with 201052c, for 39898 .....
206963	11658	Knife Grinder Emery Wheel Driving Shaft Pulley with two 200403c, for 39898 .....
206969	—	Knife Grinder Emery Wheel Washer (paper), for 39898 .....
225016	14981	Clamp Lifting Lever Hinge Pin, for 249527 .....
225377	14263	Spool Wire (for small spools) ....
225388	14263	Thread Unwinder Spool Rest Rod, for 225396 .....
225391	14263	Thread Unwinder Thread Guide, for 225396 .....
225392	14263	Thread Unwinder Thread Guide Rod with 208E and 225393, for 225396 .....
225393	14981	Thread Unwinder Thread Guide Rod Washer, for 225392 .....
225395	14263	Thread Unwinder Spool Rest (for two spools) with 201018c, for 225396 .....

No.	Plate	Name
225396	14263	Thread Unwinder (for two spools) complete, Nos. 201696J, 202490, 225388, 225392, 225395, two 225391 and three wood screws $\frac{3}{4}$ in., No. 12 .....
225532	14973	Clamp Lifting Arm Connection Roller and Screw Stud Washer ....
227953	14969	Clamp Lifting Lever Stand with two wood screws 1 in., No. 12, for 249527 .....
227954	14969	Clamp Lifting Lever Chain Hook (double), for 249524 .....
232065	14973	Clamp Lifting Arm Connection Lock Spring .....
249501	14970	Clamp Carrier .....
249502	14971	" Check with 249505, two each 1348c and 50138F, for 249503 ....
249503	—	Clamp Check complete, Nos. 219F, 2269, 39734, 39735, 40049, 40050 and 249502 .....
249504	14971	Clamp Check Position Plate .....
249505	14971	" " Section and Cutting Plate, for 249502 .....
249506	14972	Clamp Lifting Arm .....
249507	14972	" " " Connection ..
249508	14971	" " " " Fol-lower .....
249509	14971	Clamp Lifting Arm Connection Fol-lower Cap .....
249510	14973	Clamp Lifting Arm Connection Fol-lower Spring .....
249511	14972	Clamp Lifting Arm Connection Lock
249512	14972	" " " " " Trip Lever .....
249513	14973	Clamp Lifting Arm Connection Stop
249514	14972	" " " Stop Bracket ..
249515	—	Knife, $\frac{1}{4}$ inch .....
249516	14977	Needle Plate .....
249517	14979	Thread (lower) Cutting Blade ....
249518	14979	" " " " Fric-tion Plate .....
249519	14976	Thread (lower) Cutting Lever ....
249522	14980	" (upper) Cutting Blade Opener Lever Trip Bracket .....
249523	14980	Thread (upper) Cutting Lever Shaft Crank with two each 200F and 40059 .....

Nos. 249524 to 249526, for 249527

No.	Plate	Name
249524	14969	Clamp Lifting Lever with 227954 ..
249525	14969	“ “ “ Chain, 34½ in. long, with two 202784 .....
249526	14969	Clamp Lifting Lever Chain, 12½ in. long, with two 202784 .....
249527	14969	Clamp Lifting Lever complete, Nos. 225016, 227953 and 249524 to 249526 .....
249528	14980	Thread (lower) Pull-off Finger ...
350068E	14981	Knife Grinder Emery Wheel Driv- ing Shaft Oil Hole Cover Screw, for 39898 .....
350076C	14971	Clamp Carrier Regulator Stud (to length of buttonhole) .....
350205D	14973	Clamp Lifting Arm Connection Follower Hinge Screw .....
350206E	14973	Clamp Lifting Arm Stop Hinge Screw .....
350207D	14973	Clamp Lifting Arm Stop Pitman Hinge Screw (front) .....
350209C	14980	Thread (lower) Pull-off Finger Screw Stud .....



**ILLUSTRATIONS OF PARTS**

**FOR**

**MACHINE No. 71-53**

PLATE 4008—FULL SIZE

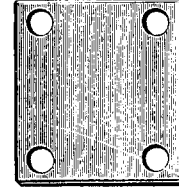
23392



23393



23396



914



223



1234



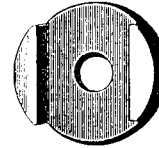
23397



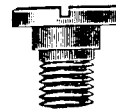
67



7278



1256



109



1658



7071



219



ILLUSTRATIONS OF PARTS

MACHINE No. 11-23

PLATE 4009—FULL SIZE

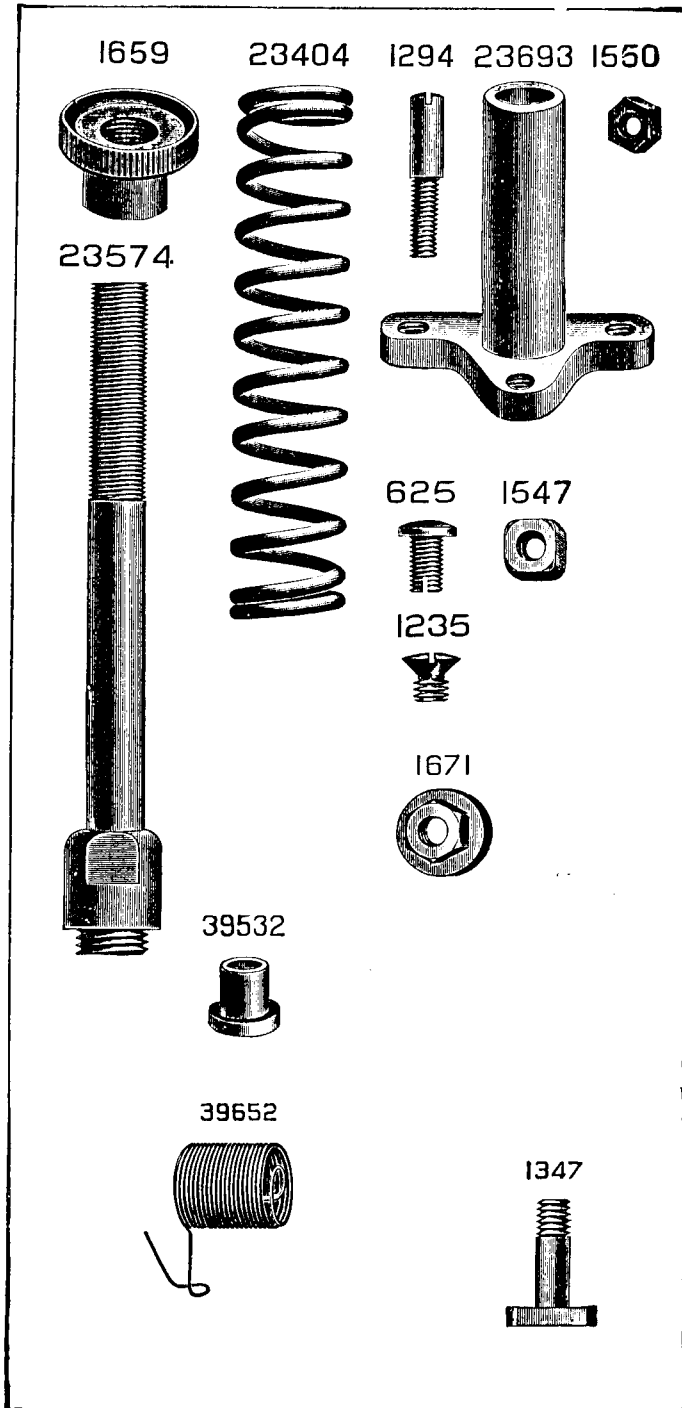


PLATE 4010—ONE-HALF SIZE

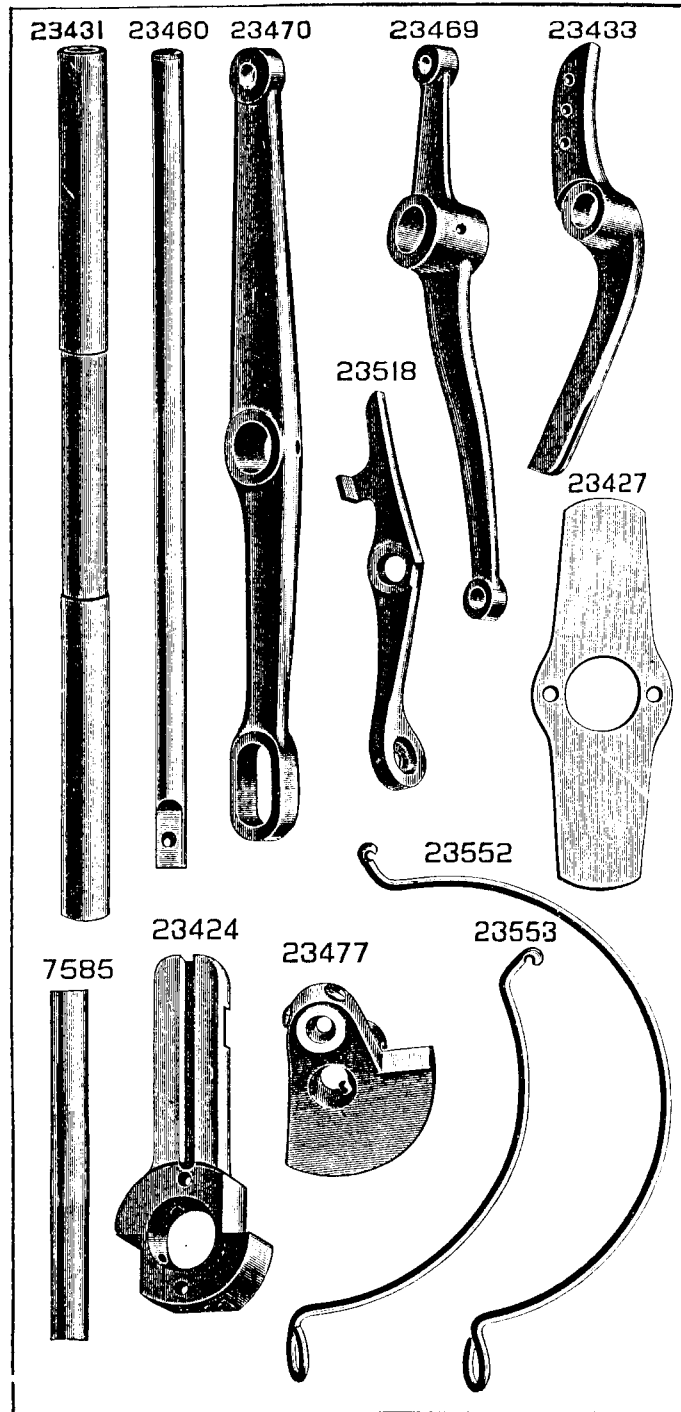


PLATE 4012—FULL SIZE

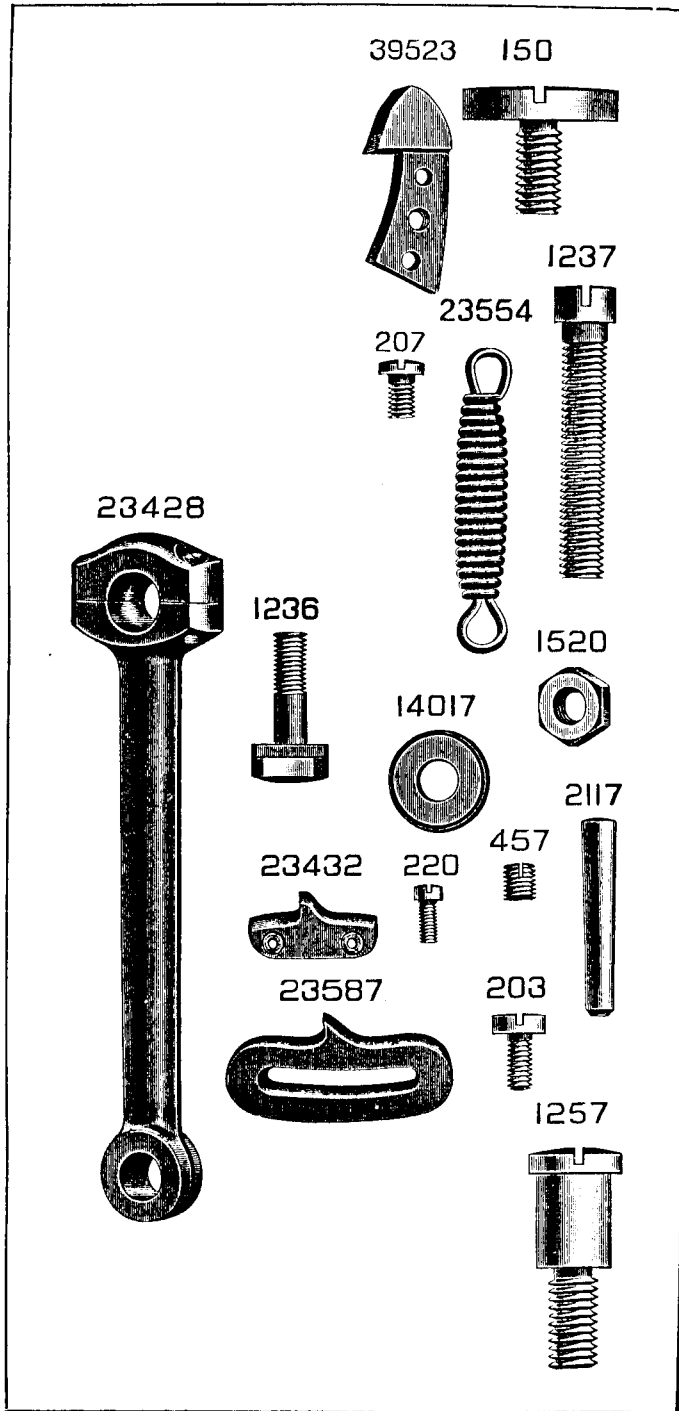


PLATE 4013—FULL SIZE

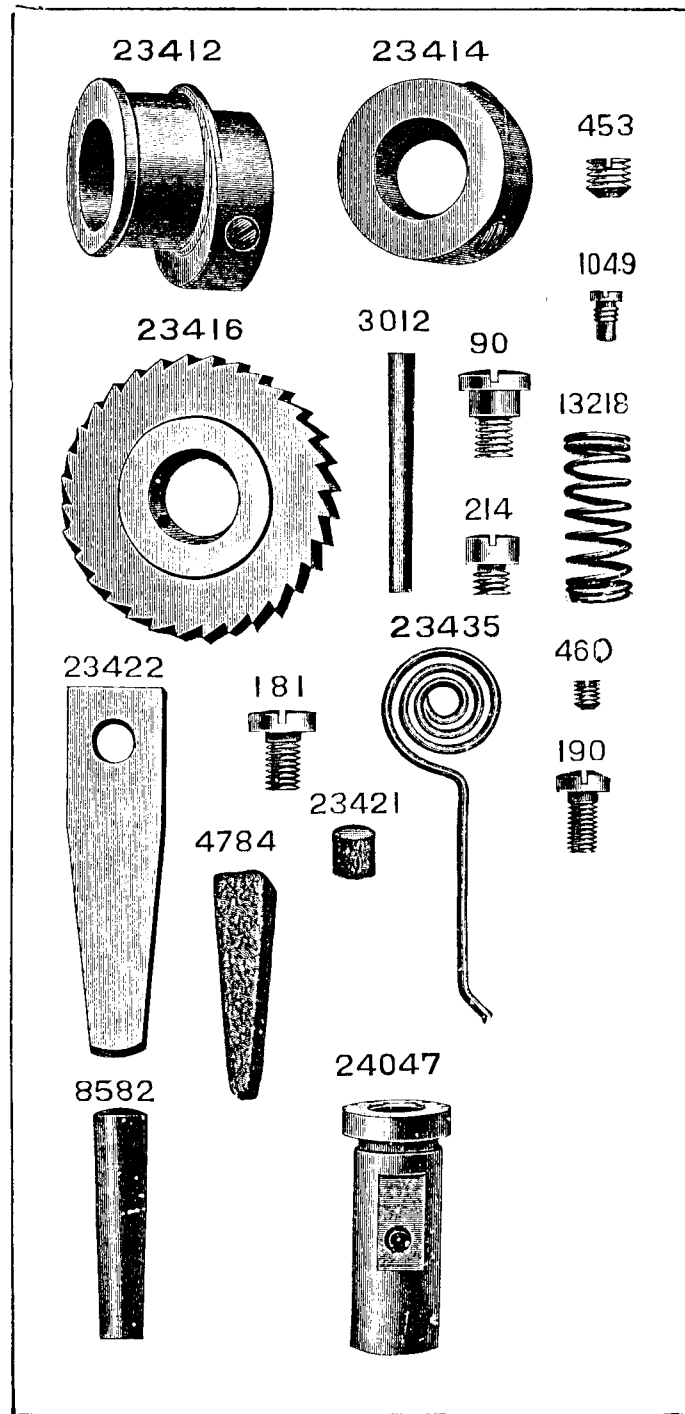


PLATE 4014—FULL SIZE

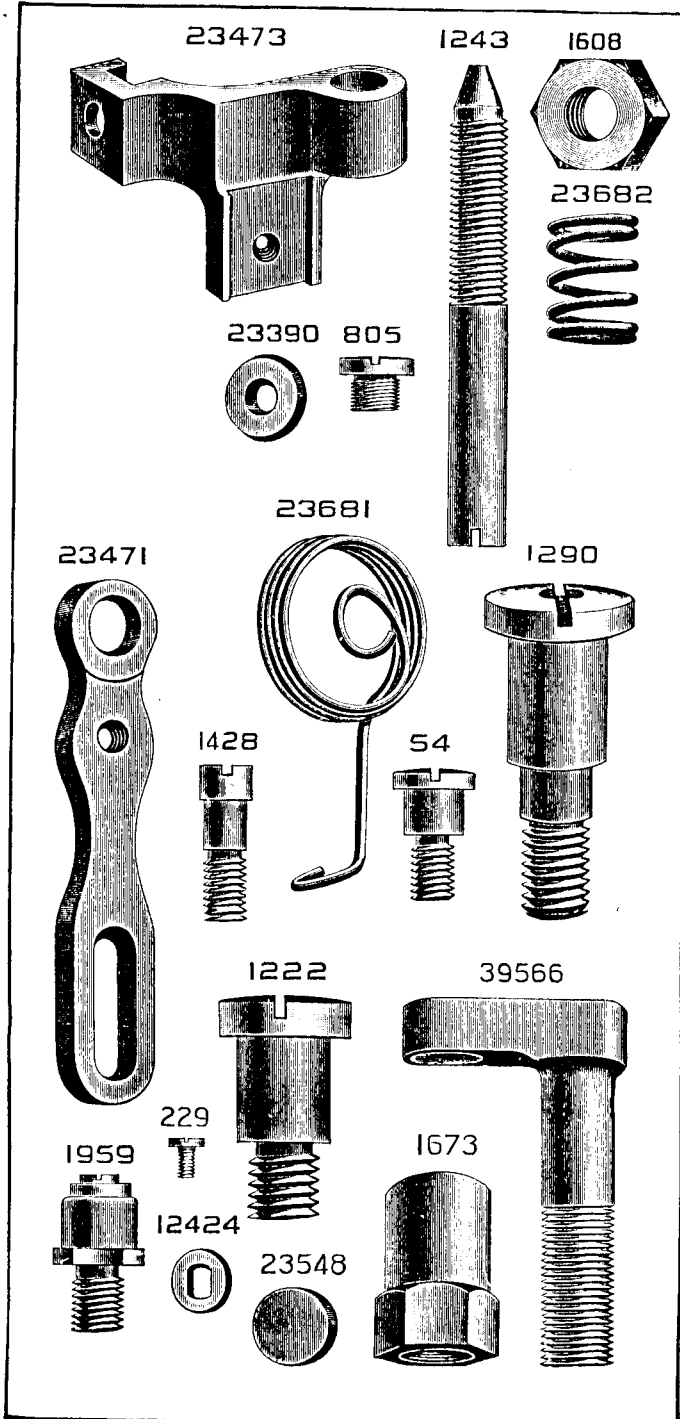


PLATE 4015—FULL SIZE

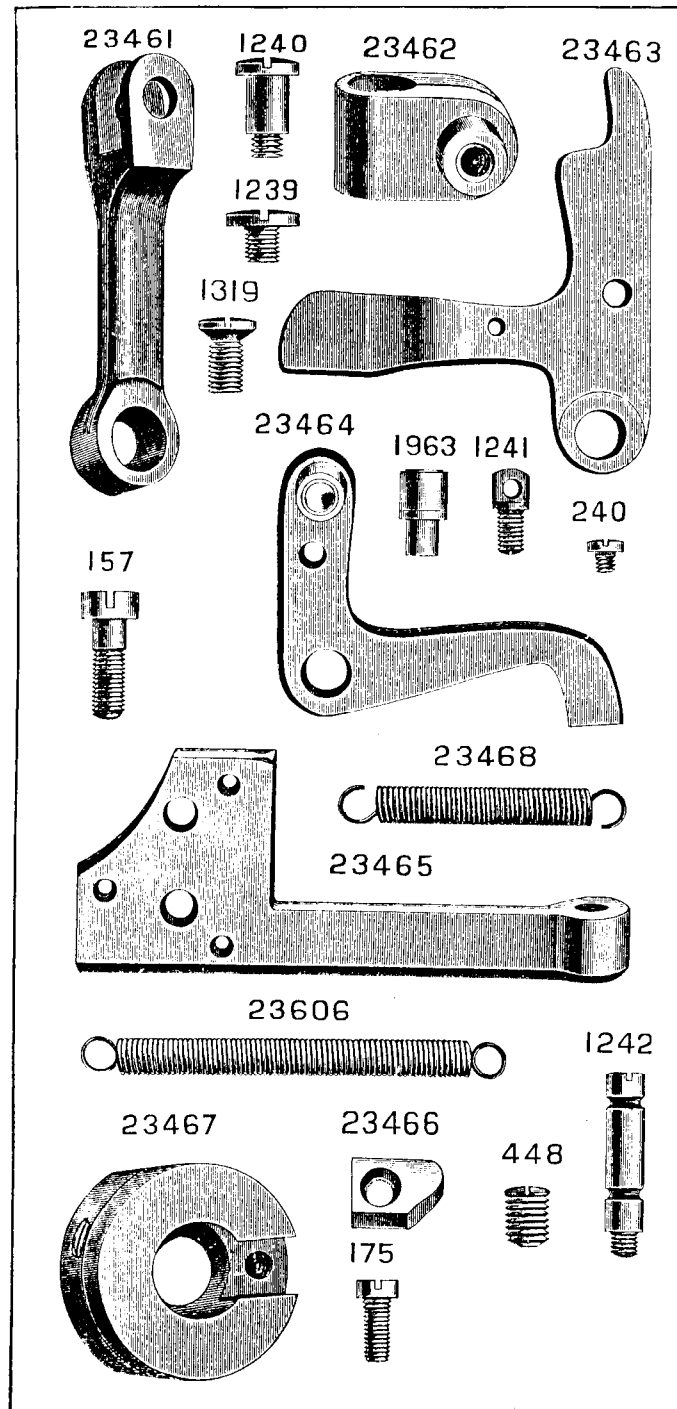




PLATE 4020—FULL SIZE

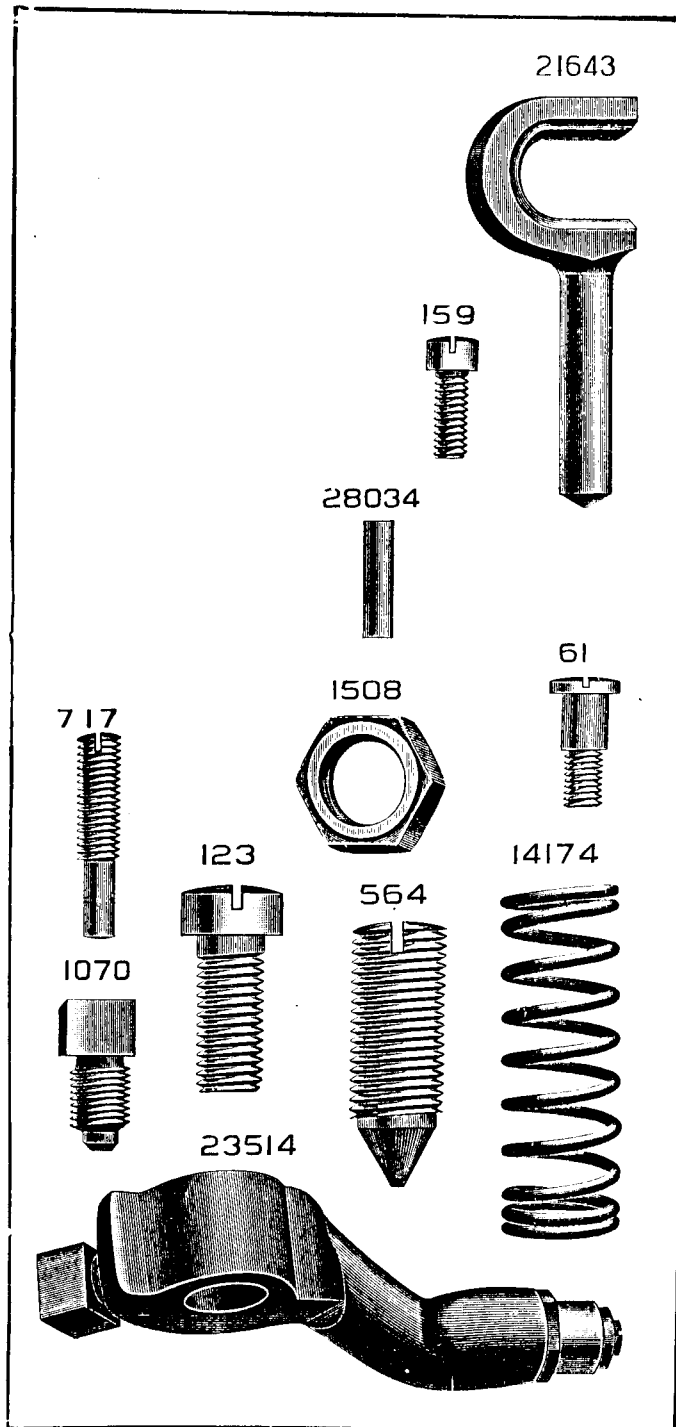


PLATE 4021—FULL SIZE

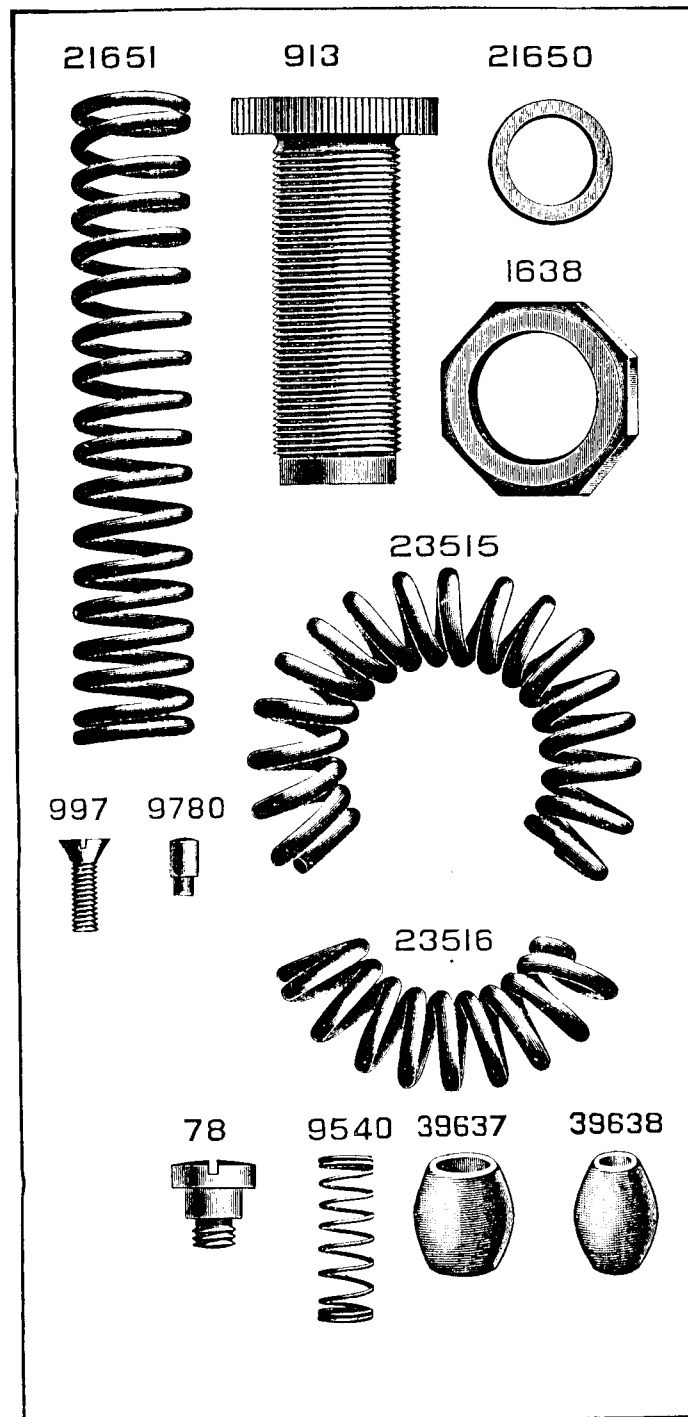


PLATE 4024—FULL SIZE

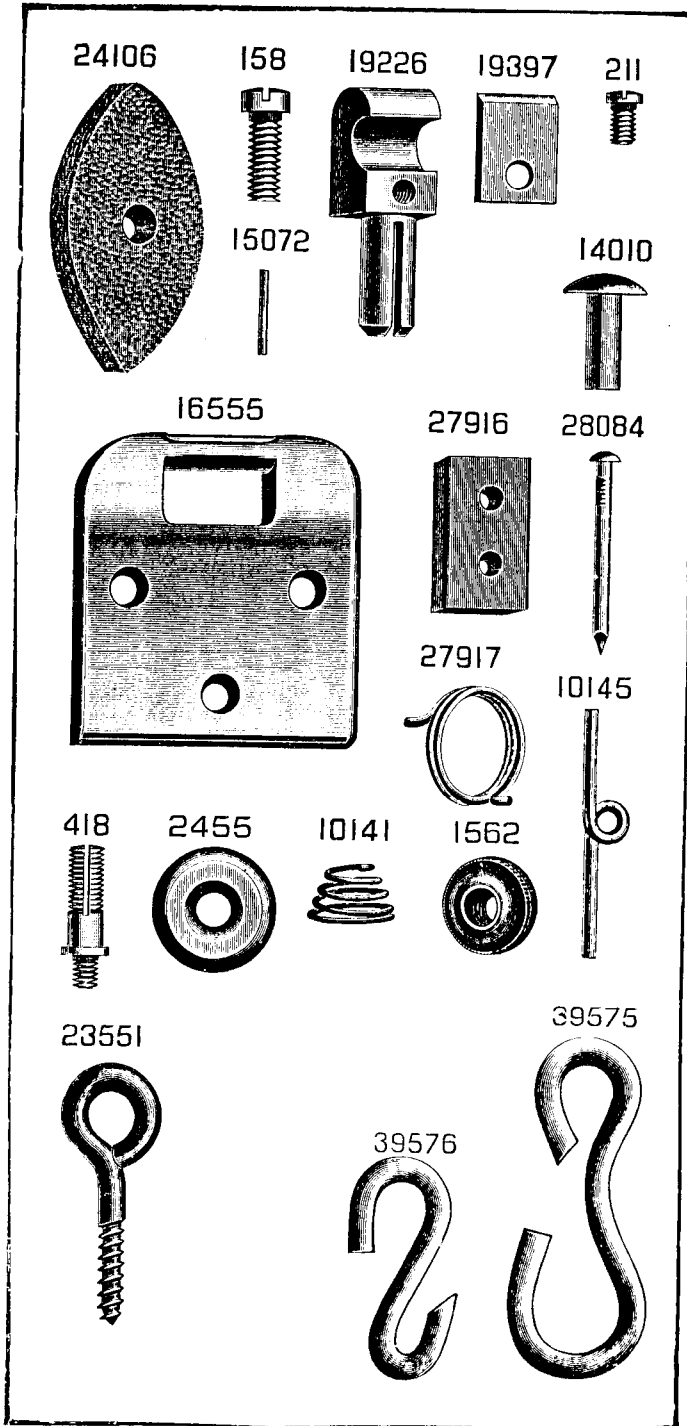


PLATE 4025—FULL SIZE

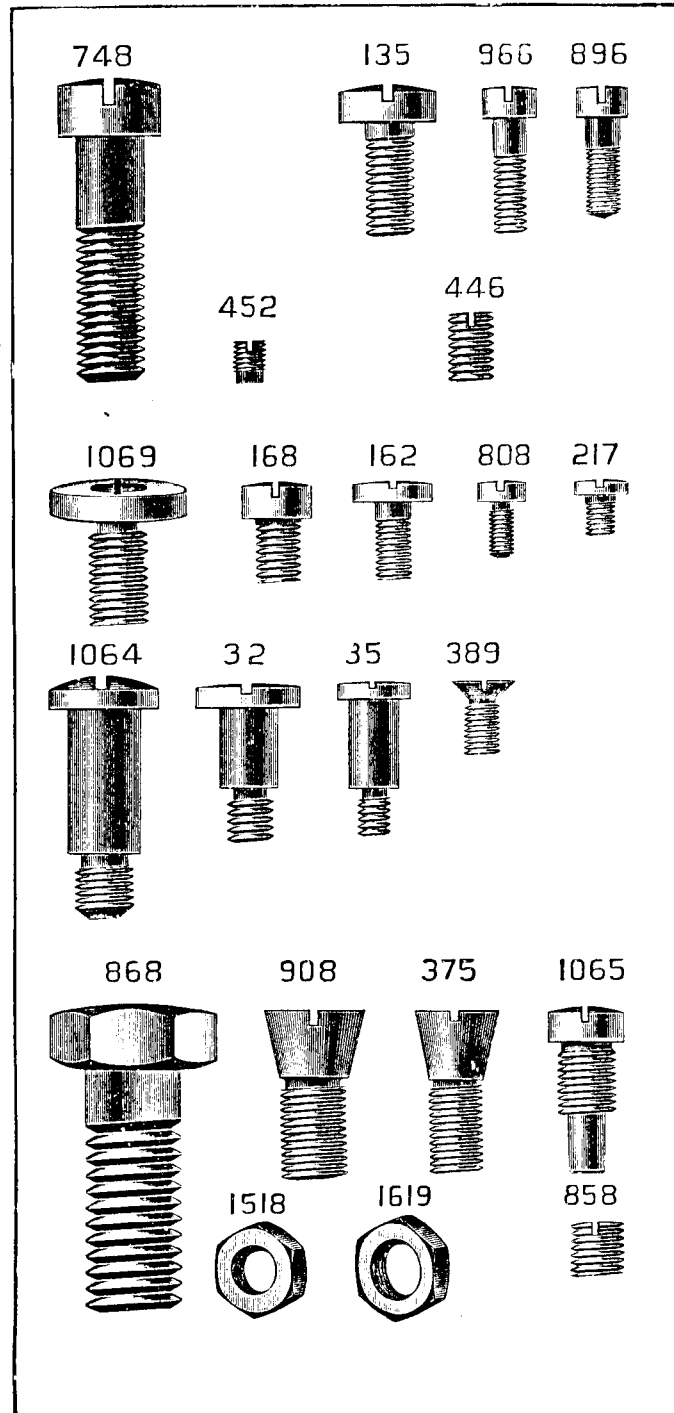


PLATE 4028—ONE-HALF SIZE

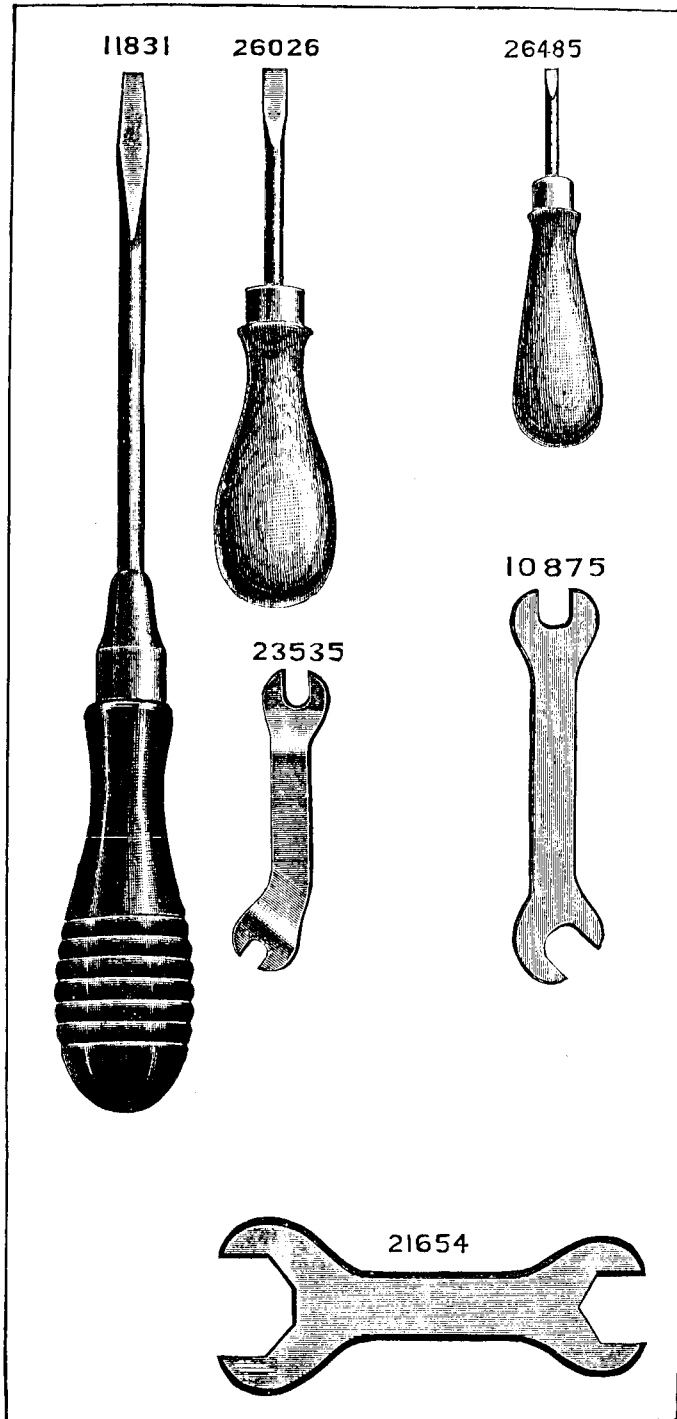


PLATE 4029—ONE-HALF SIZE

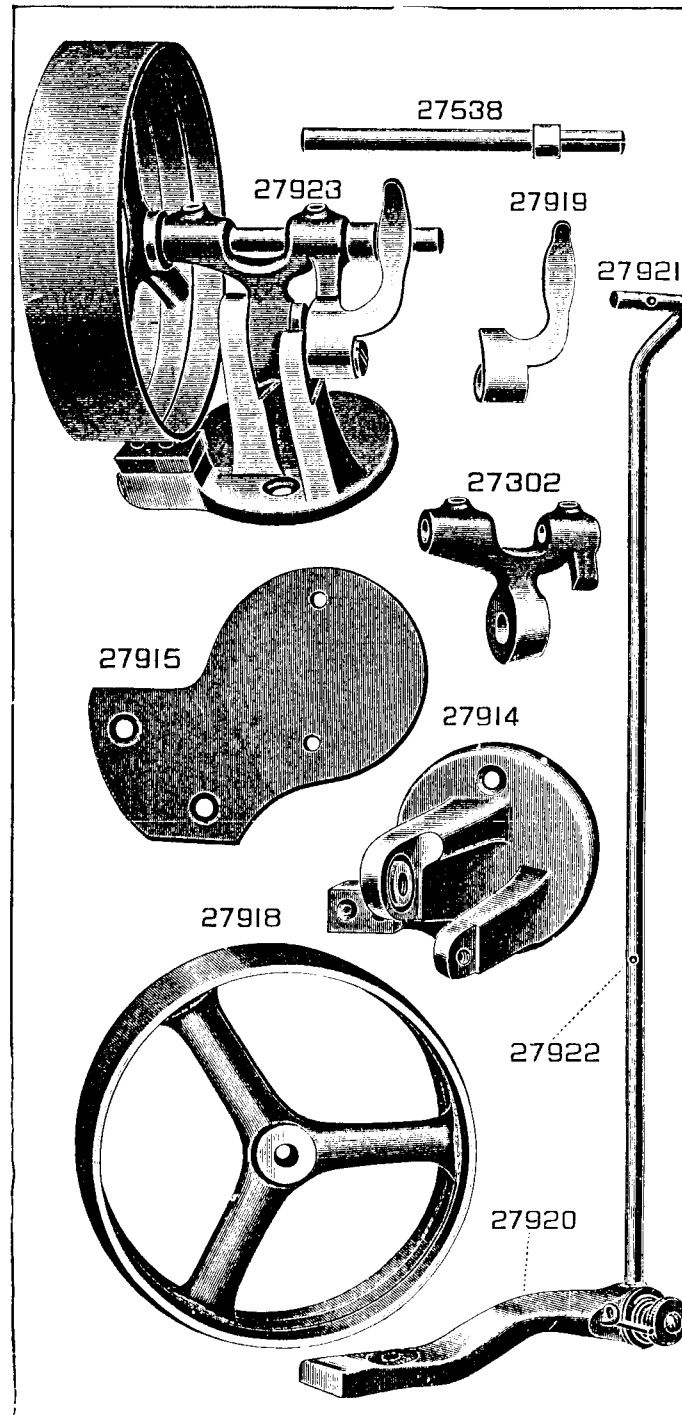


PLATE 4047—ONE-FOURTH SIZE

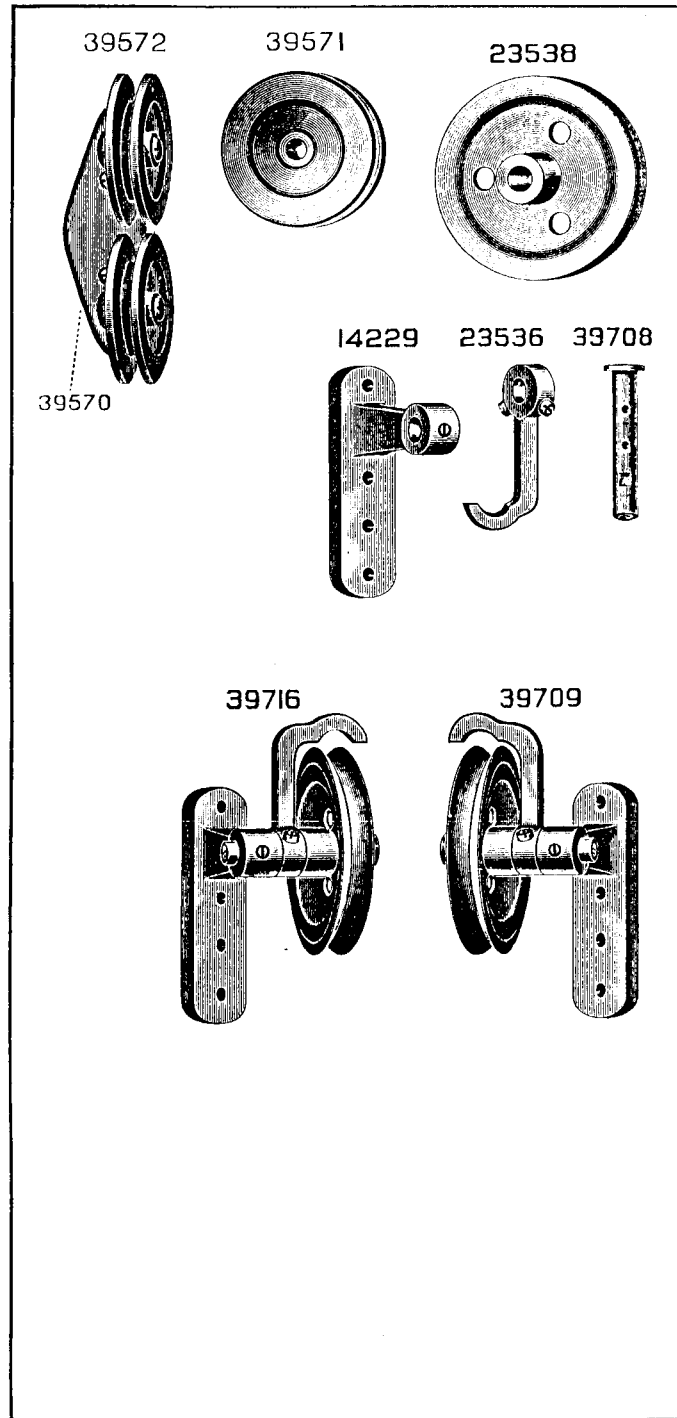


PLATE 4053—ONE-HALF SIZE

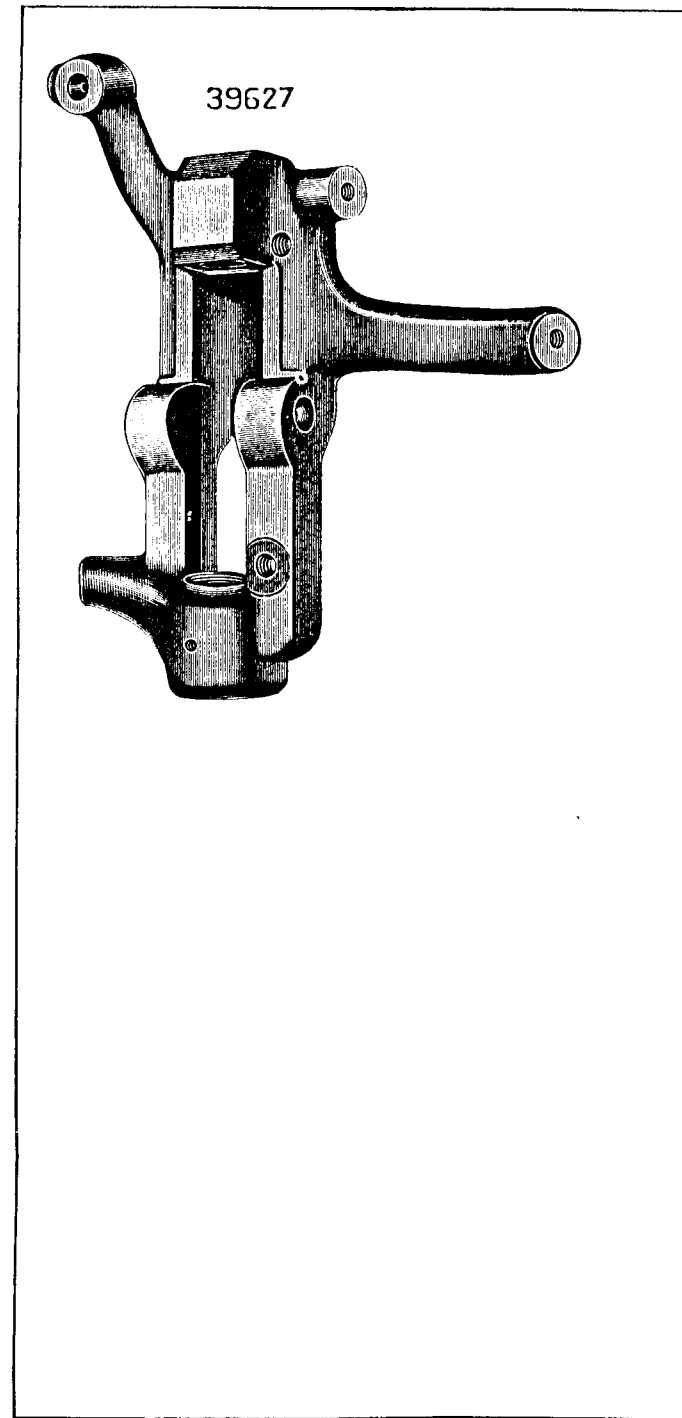


PLATE 4055—ONE-HALF SIZE

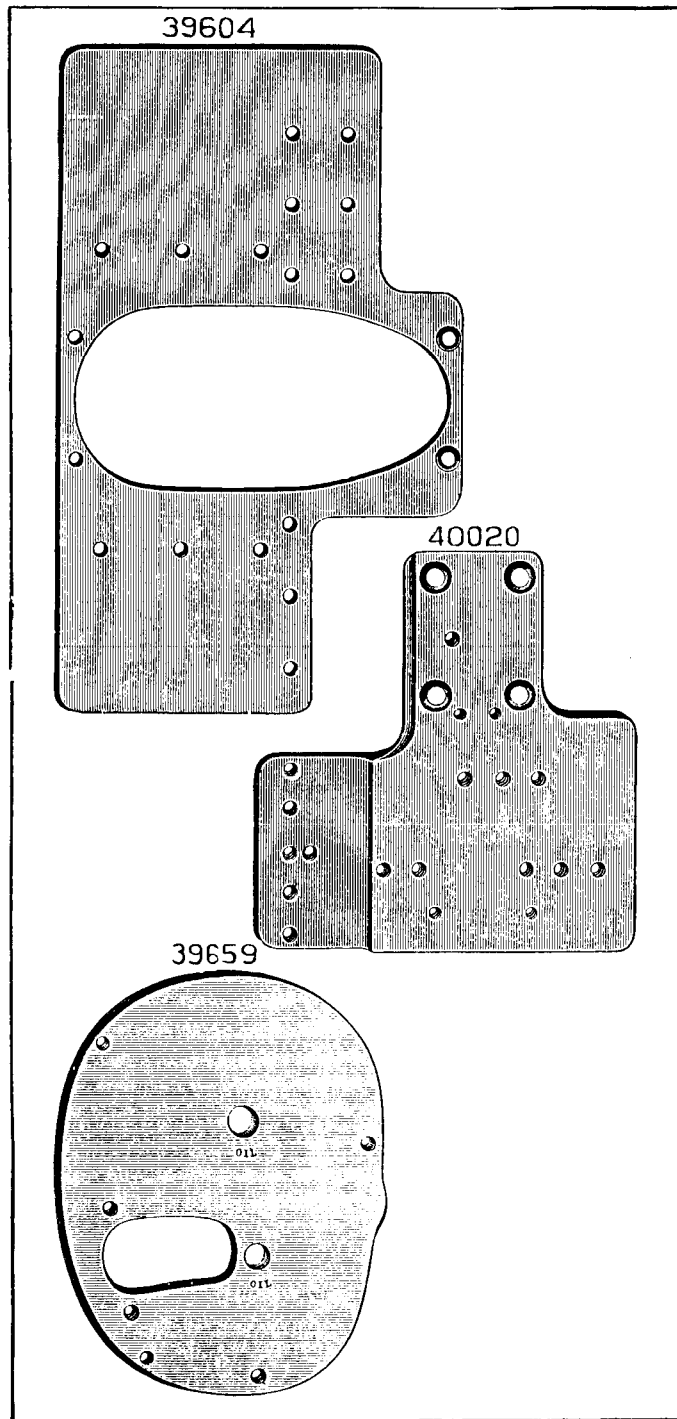


PLATE 4057—FULL SIZE

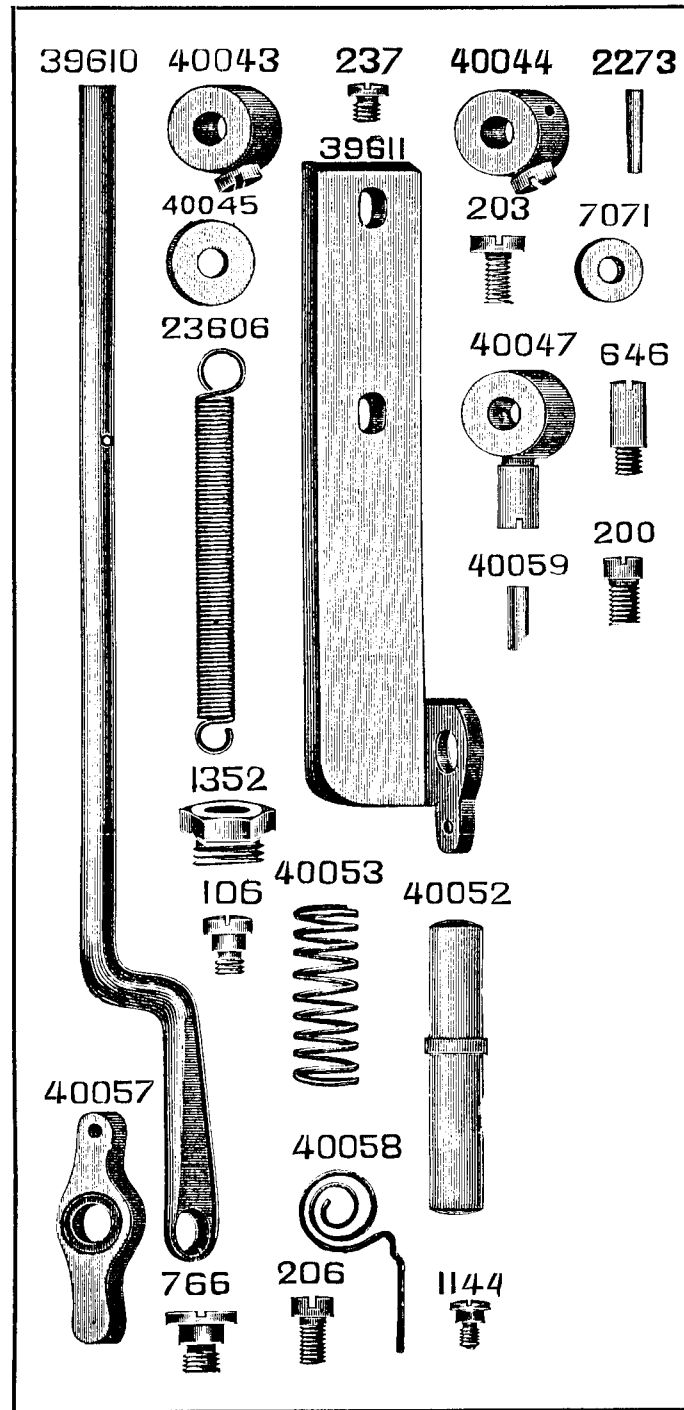


PLATE 4058—FULL SIZE

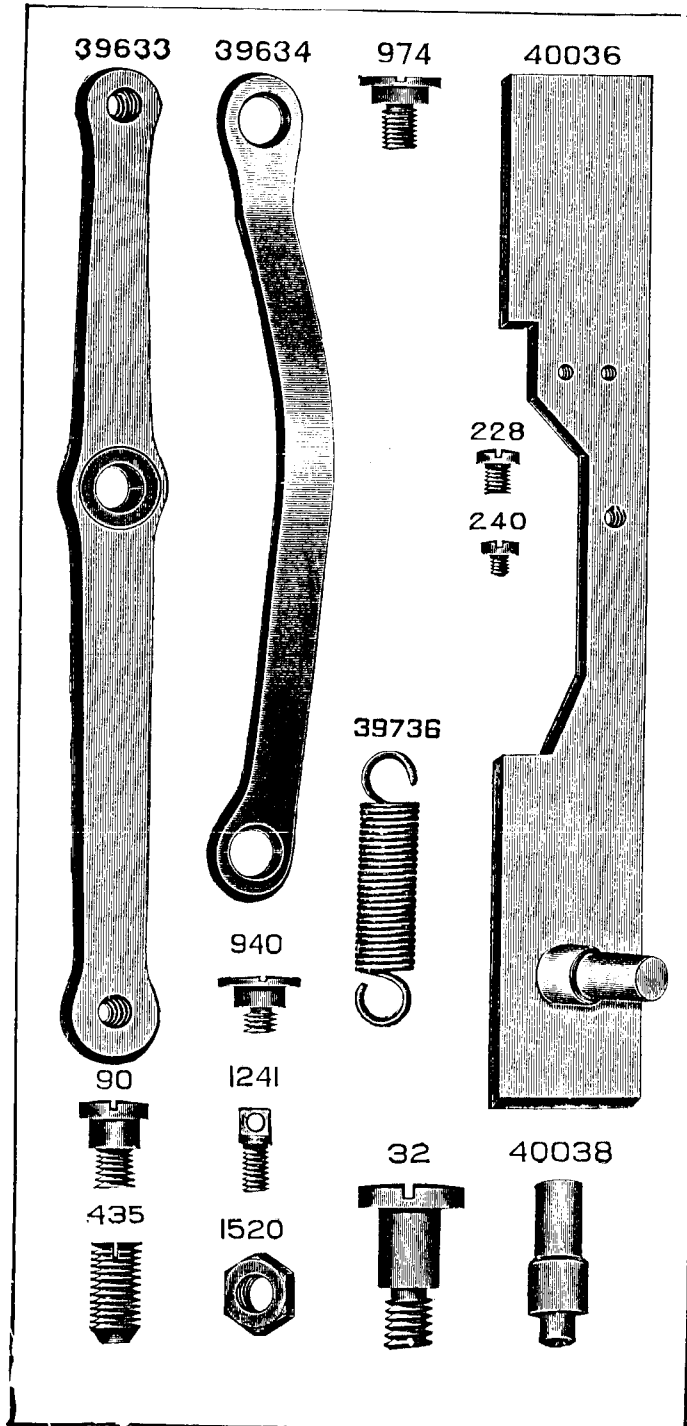


PLATE 4059—FULL SIZE

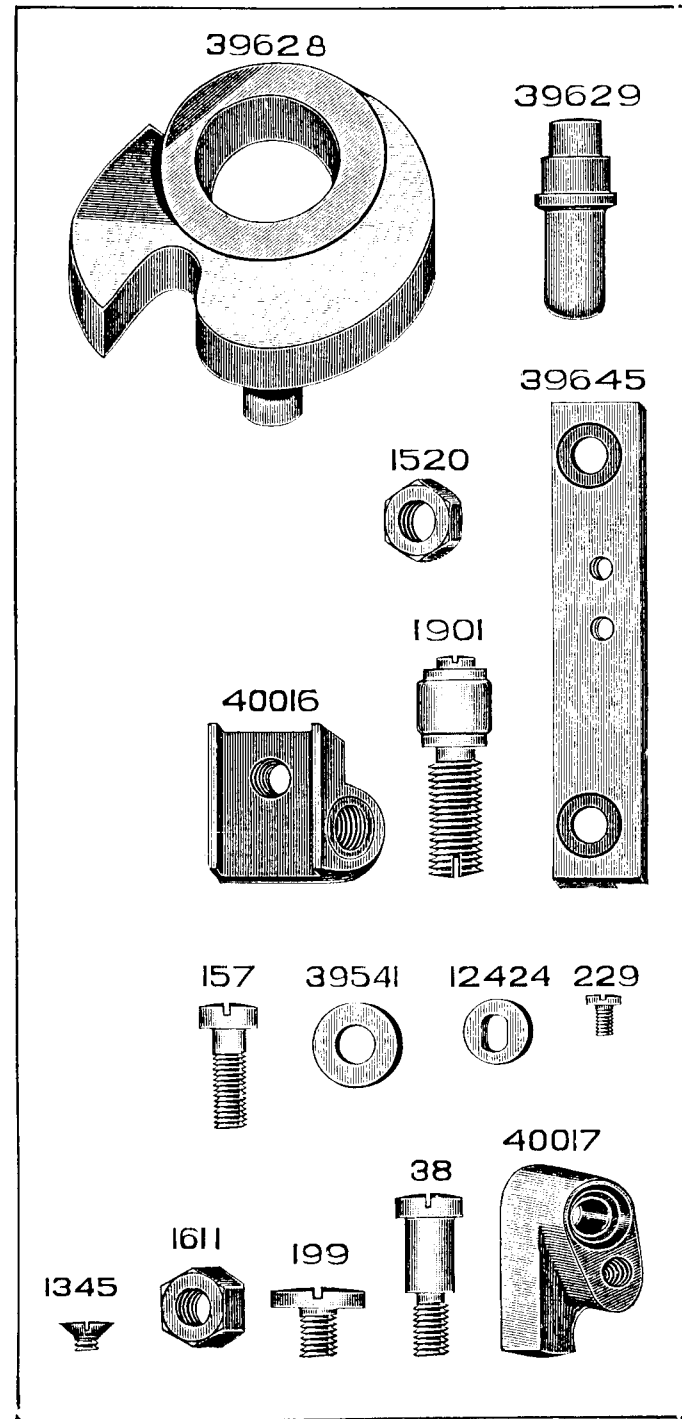


PLATE 4082—ONE-FOURTH SIZE

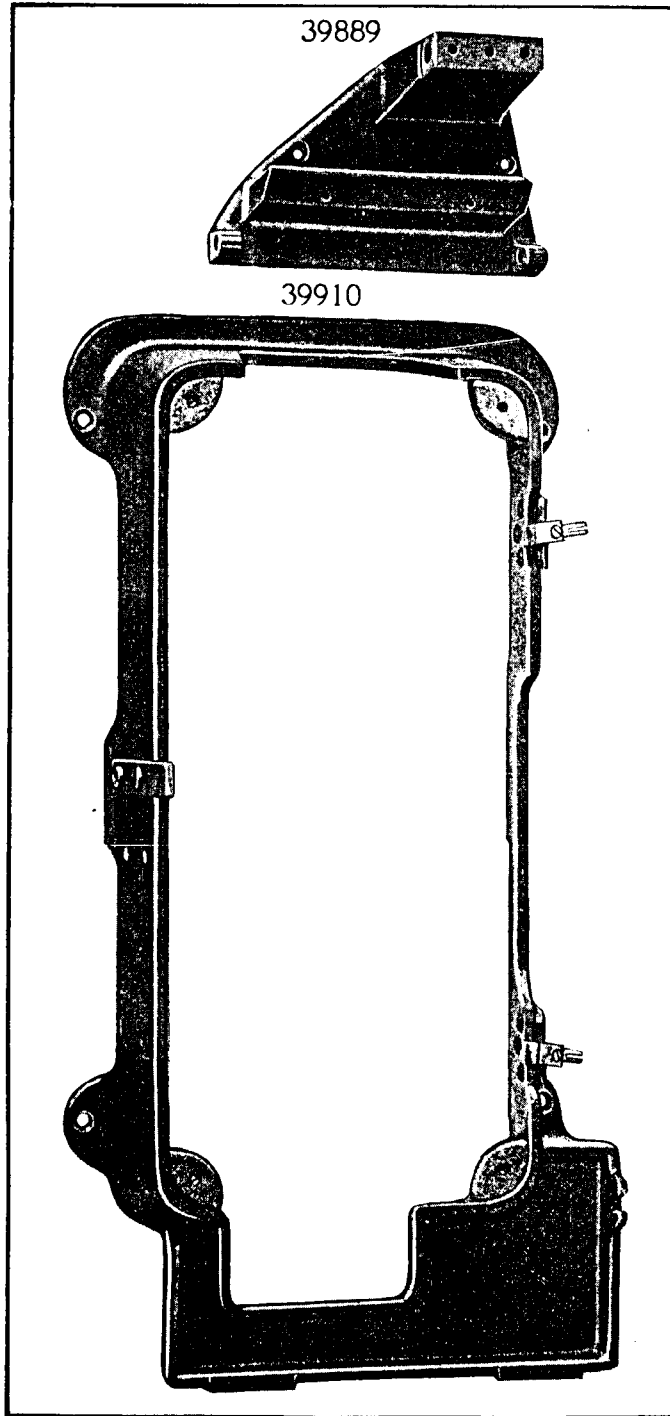


PLATE 4083—FULL SIZE

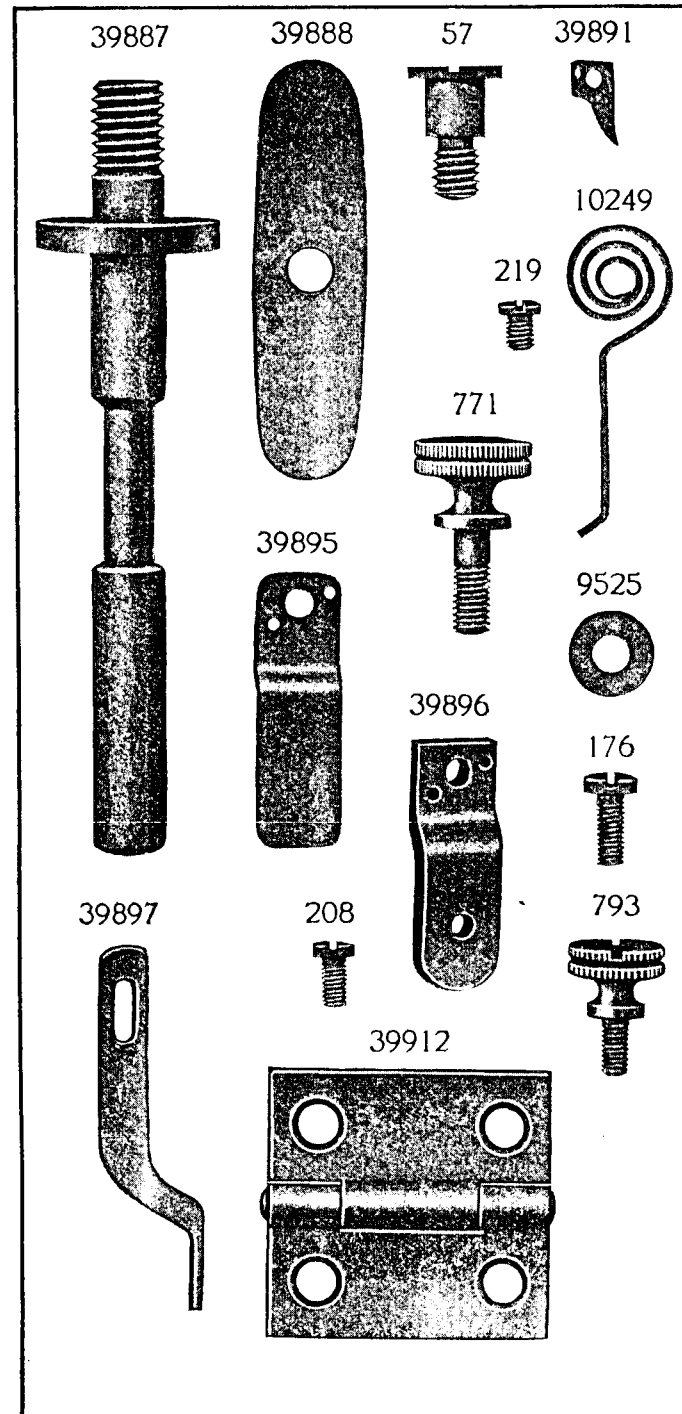


PLATE 4084—ONE-FOURTH SIZE

39911

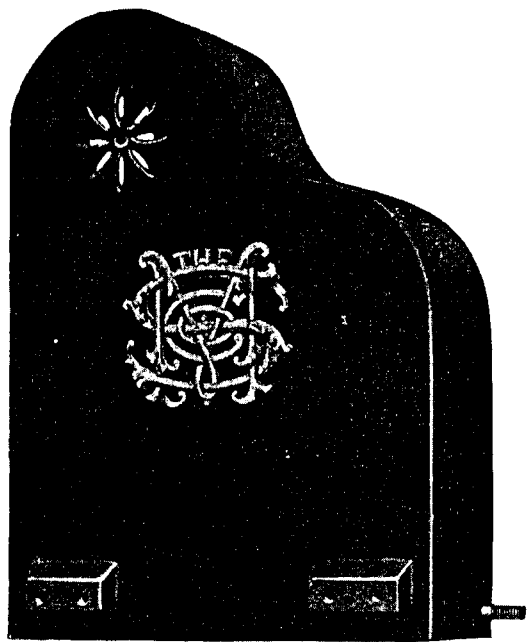
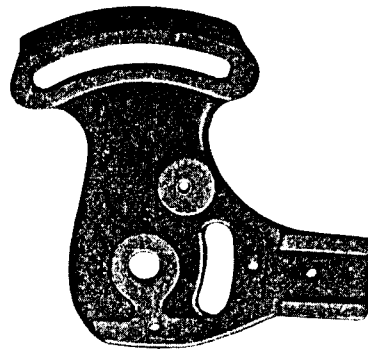


PLATE 4086—ONE-HALF SIZE

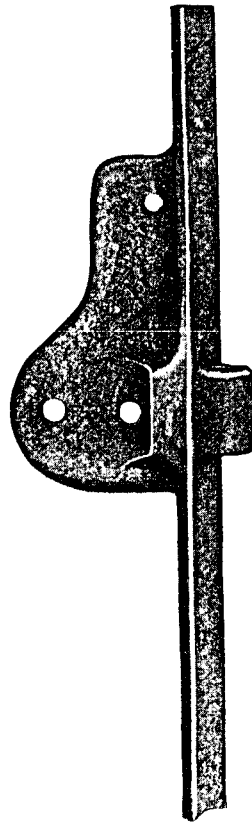
39890



39894



39892



39893





PLATE 4098—FULL SIZE

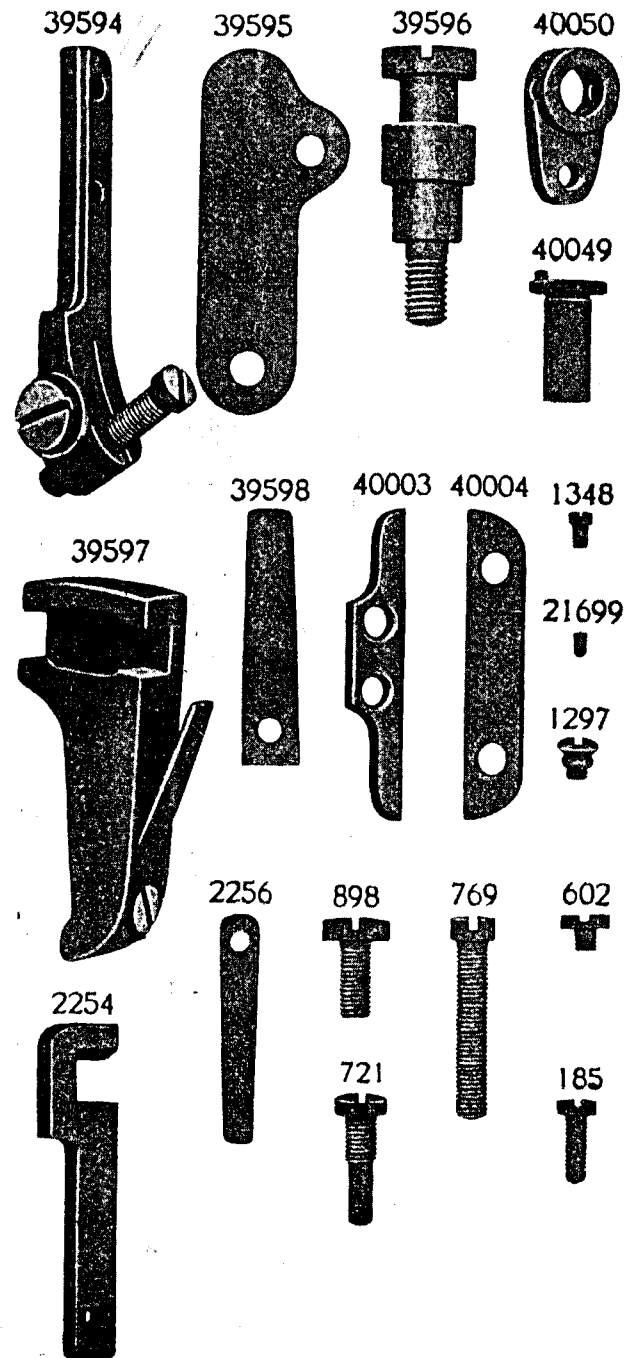


PLATE 11658—FULL SIZE

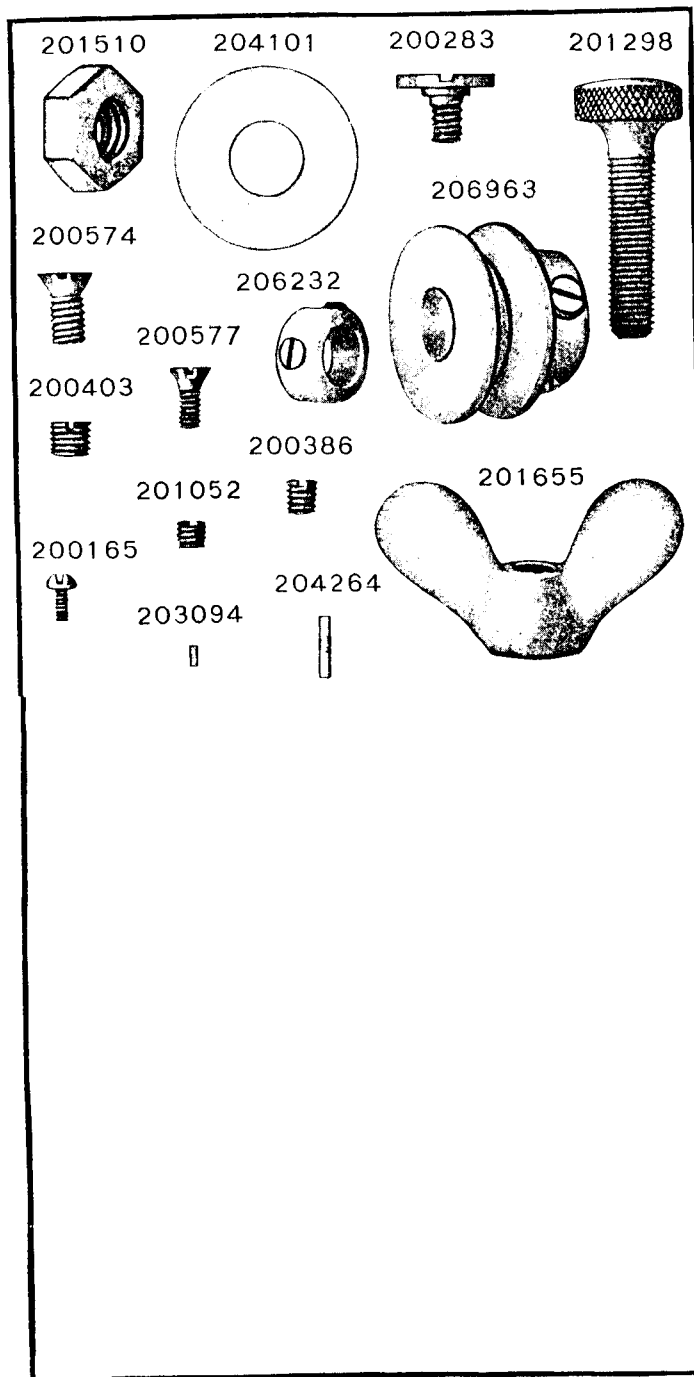


PLATE 14263—ONE-SIXTH SIZE

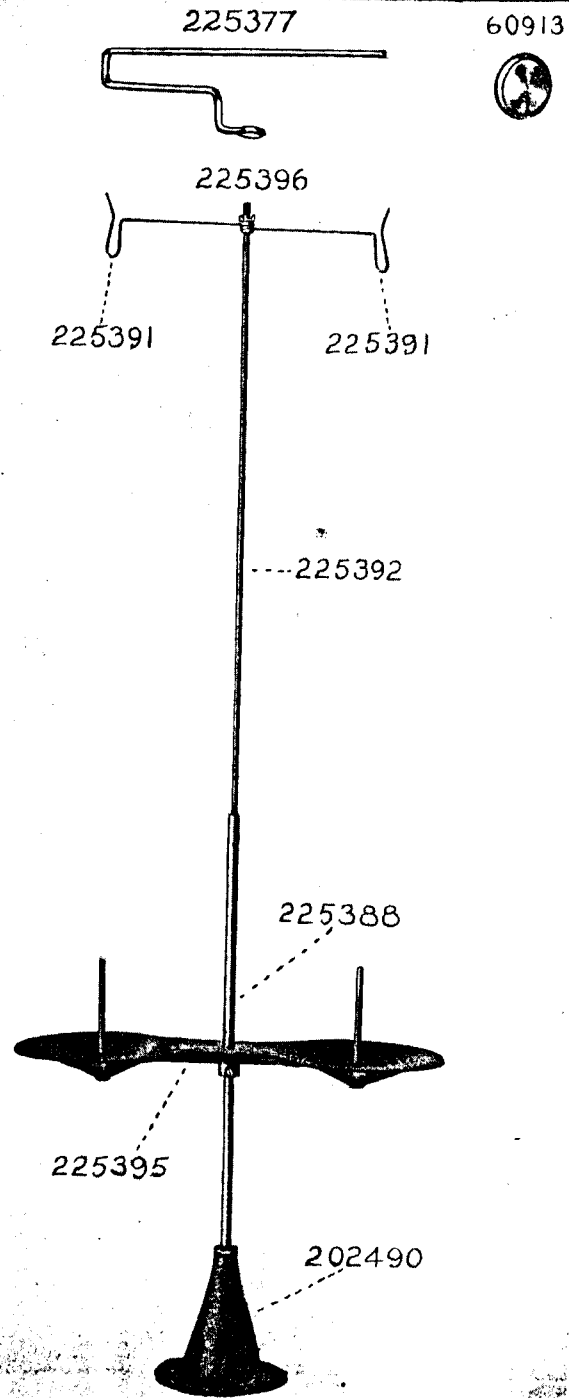


PLATE 14969—ONE-FOURTH SIZE

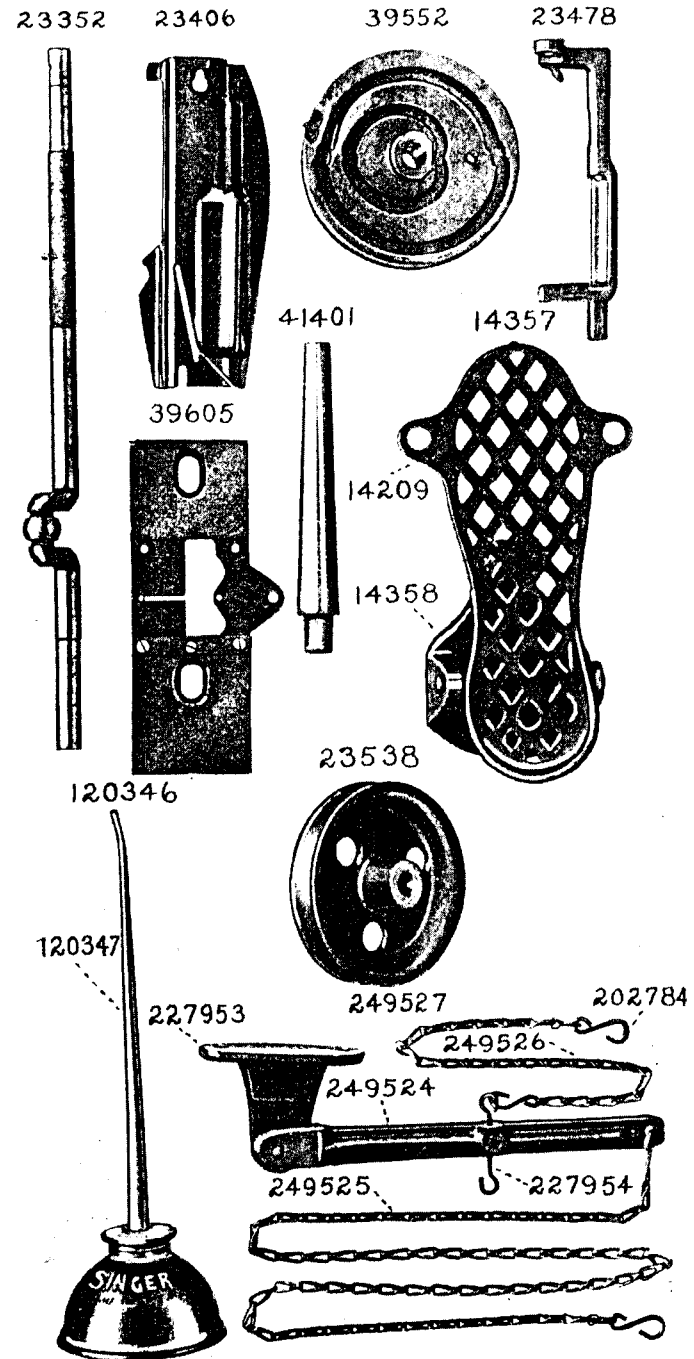


PLATE 14970—ONE-HALF SIZE

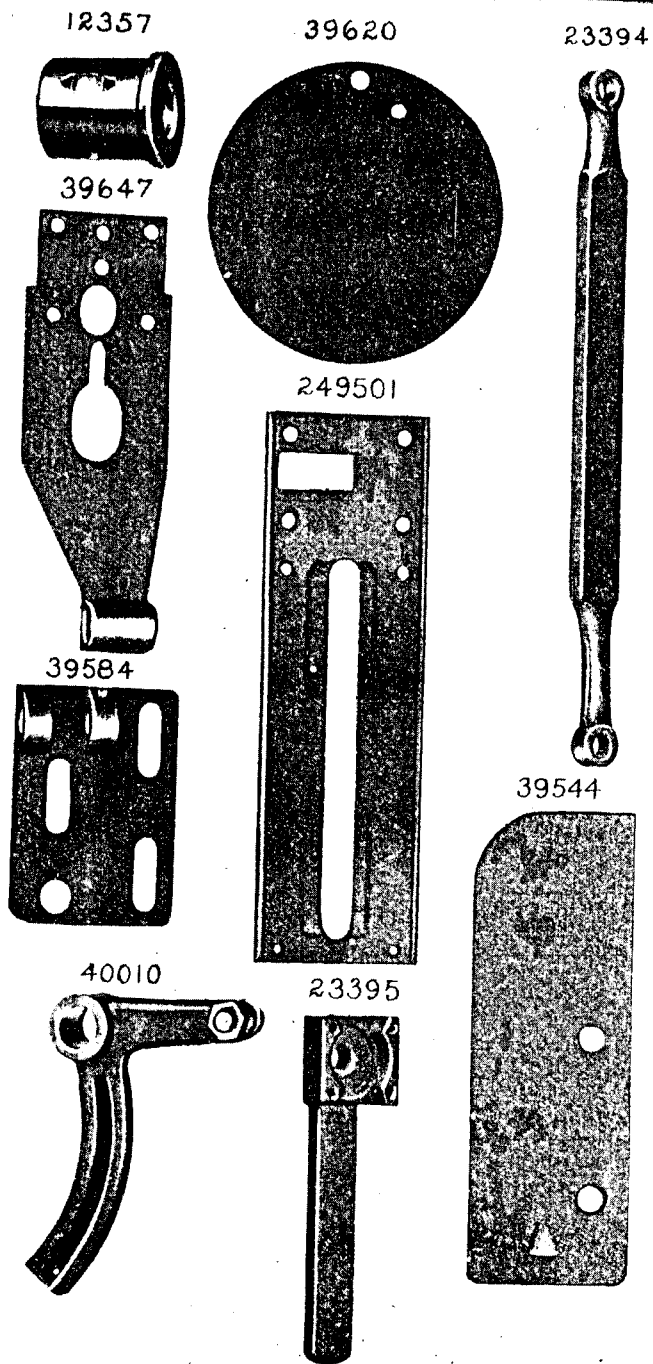


PLATE 14971—FULL SIZE

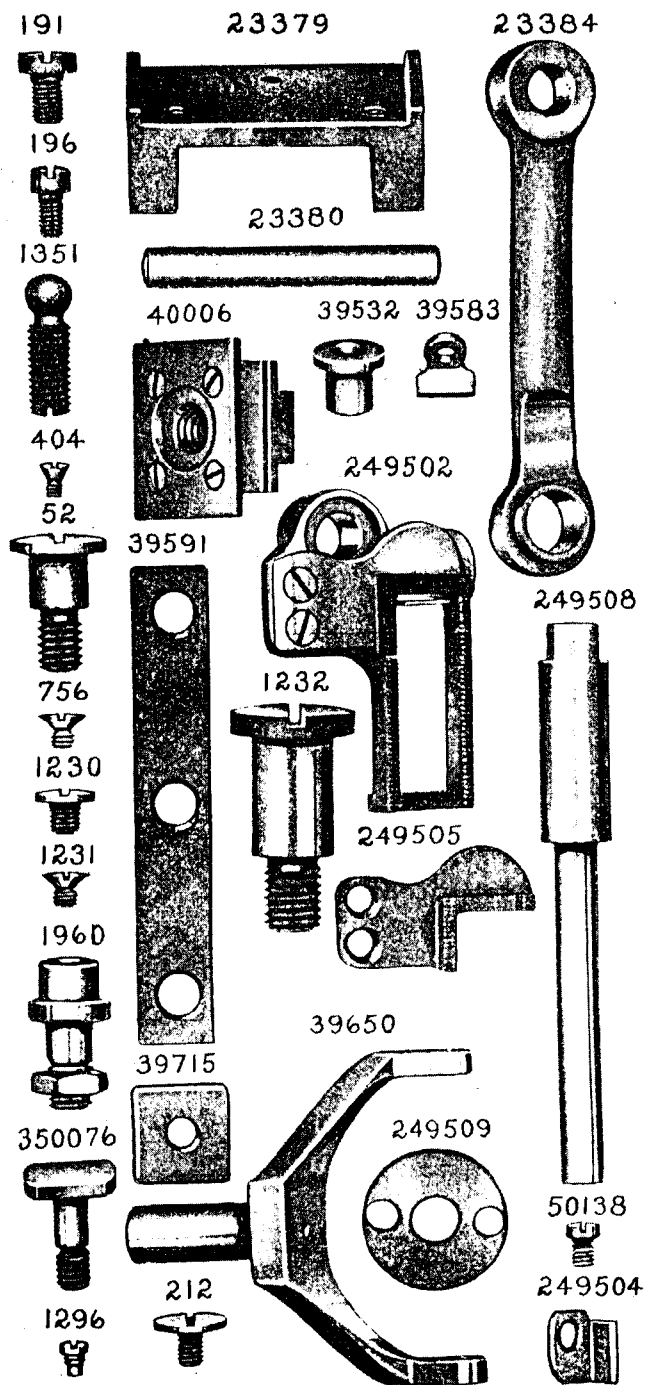
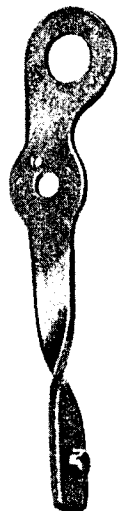




PLATE 14974—ONE-HALF SIZE

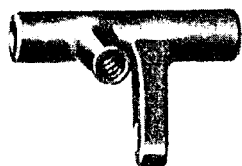
23413



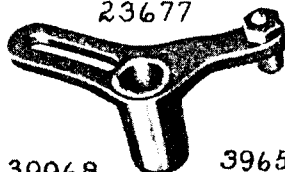
39522



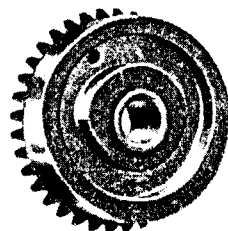
23418



23677



39968



39655



39600



23676



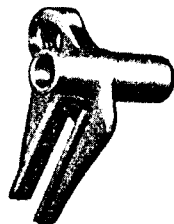
39967



23420



39653

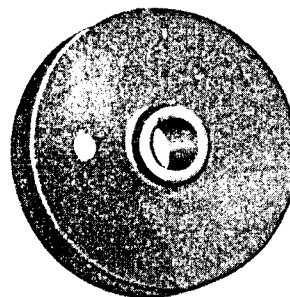


23494



PLATE 14975—ONE-HALF SIZE

23497



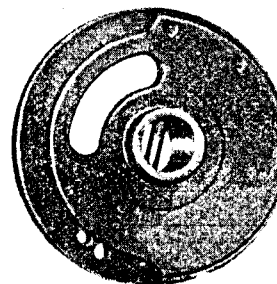
23511



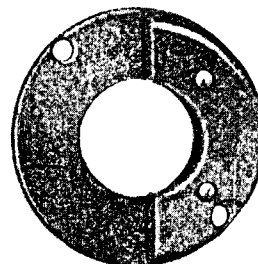
39580



39927



23517



23499



23510

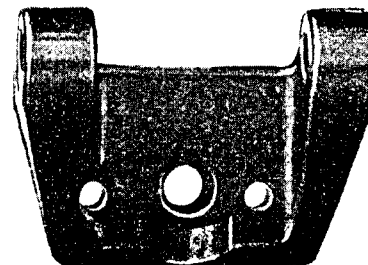
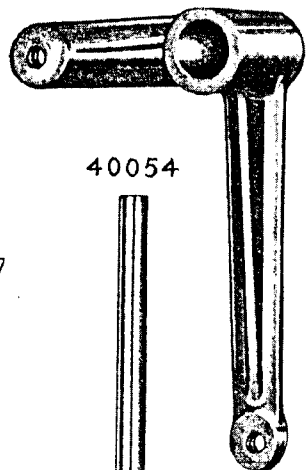


PLATE 14976—ONE-HALF SIZE

40051



249519



40054



40037



40067



PLATE 14977—FULL SIZE

1655



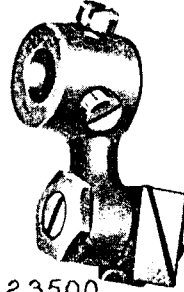
249516



39656



39658



23389



1636



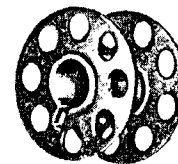
673



19448



23500



23667



15140



39992



40025



2973



2975



2523



39623



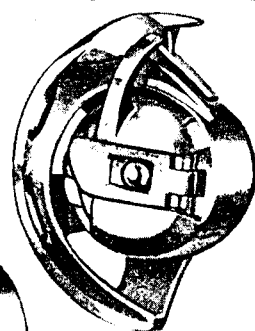
1517



2974



39993



904



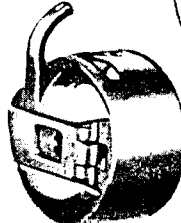
15628



1253



39991



1035



226



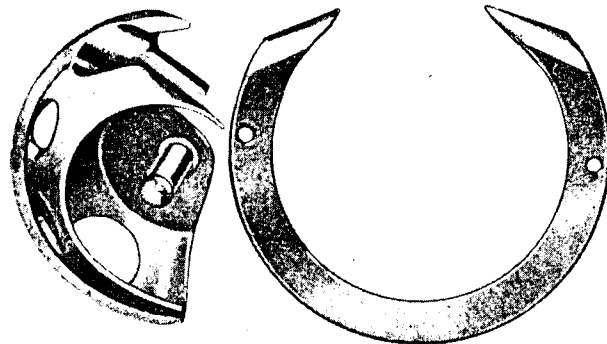
592



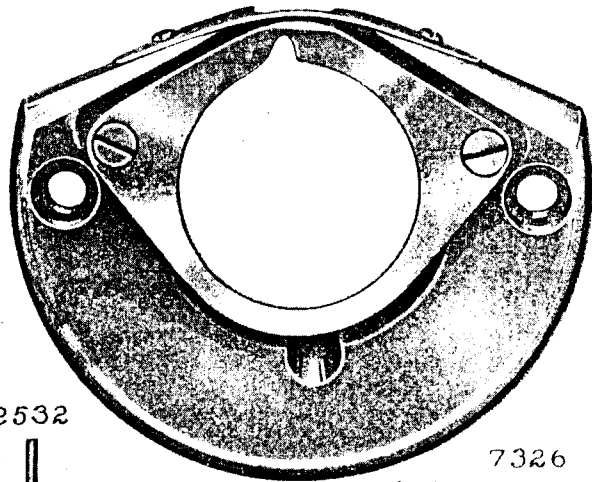
PLATE 14978—FULL SIZE

23503

39969



39982



2532



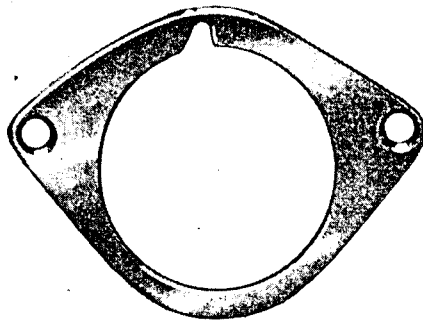
2269



7326



39981



462



591



PLATE 14979—FULL SIZE

14174

39988

39660



124



1387



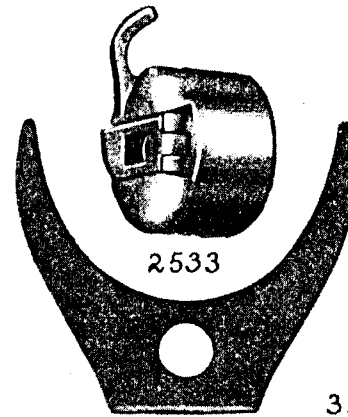
1349



999



391

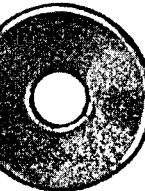
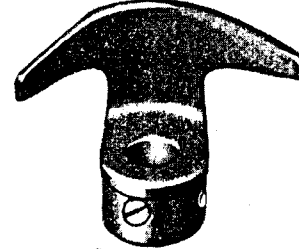


2533



32012

23505



39636

413



934



201



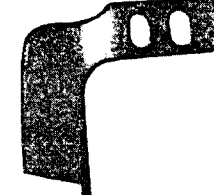
2103



1560



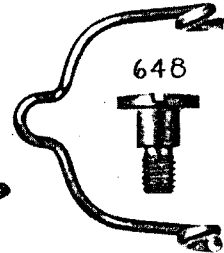
249517



1521



648



249518



662



PLATE 14980—FULL SIZE

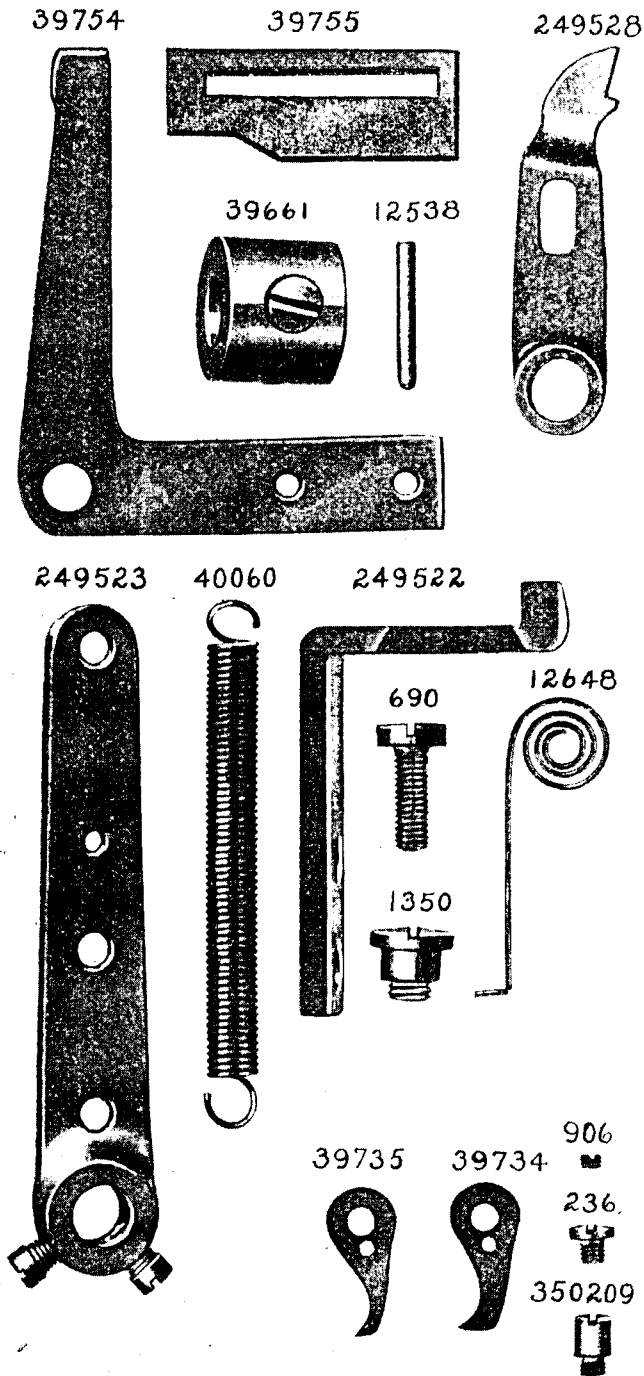


PLATE 14981—FULL SIZE

