

Singer 71-48

Form 1542w, Revised

(145)

Printed in U. S. A.

LIST OF PARTS



MACHINE No. 71-48

** A TRADE MARK OF
THE SINGER MANUFACTURING COMPANY

INSTRUCTIONS FOR OILING

To ensure easy running and prevent unnecessary wear of the parts which are in movable contact, the machine requires oiling, and when in continuous use, "TYPE B" or "TYPE D" OIL, sold only by Singer Sewing Machine Company, should be applied regularly to all oil holes marked "OIL," as instructed in Form 1543w.

Once a year apply BALL BEARING LUBRICANT, sold only by Singer Sewing Machine Company, to the ball bearing of the loose pulley on the machine.

"TYPE D" OIL is stainless.

INDEX

	Page
Accessories	22
Bobbin Winder	22
Driving Equipment	24
" " for Machines when set in pairs	27
Iron Base	23
Knives	26
Knife Grinder	29
Machine No.71-48	5
Miscellaneous Parts	26
Numerical List of Parts	31
Obsolete Parts	30
Parts for Making Buttonholes from 13/16 to 1-1/4 inches long	26
Thread Unwinder	25

INSTRUCTIONS FOR ORDERING

In ordering from this list, use ONLY the PART number in the FIRST column.

The number stamped on a Sewing Machine Part is the number of the Single Part only, except when the part includes Set Screws, Clamping Screws, Studs and Rollers Spun on, Small Wires riveted, or Parts soldered together, etc., which it is necessary to furnish in combination.

Every combination of parts sent out has its specific number which, although not stamped on Parts (except in above case), must be used when ordering the combination.

Each number always indicates the SAME PART in whatever list it appears, or for whatever Machine.

The letters after some of the numbers indicate the style of finish only, as follows:

- A. Hardened, Polished, Nickel Plated and Buffed.
- B. Polished, Nickel Plated and Buffed.
- C. Hardened only.
- D. Polished only.
- E. Soft, not polished.
- F. Hardened and Polished.
- H. Blued.
- J. Nickel Plated only.
- R. Merlized.
- X. Black Oxide.
- XC. Hardened and Black Oxide.
- Y. Black Nickel only.

These letters MUST BE USED when they appear in the list and AFTER the number, as in the list.

In this series:

200001 to 201500 and 350001 to 351500 are Screw Numbers.
201501 to 201800 and 351501 to 351800 are Nut Numbers.
201801 to 202000 and 351801 to 352000 are Roller Numbers.
202001 to 350000 are Numbers of Machine Parts.

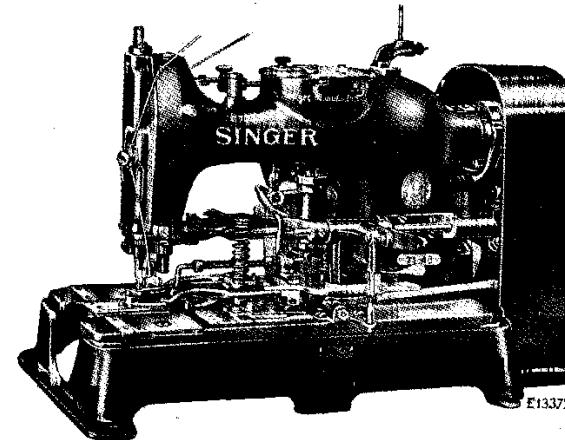
The figures in the second column refer only to the plate in which the illustration of the part is shown and are NOT TO BE USED in ordering.

Two or more numbers over a cut indicate that the difference between such parts is not visible in an illustration.

Parts marked with an asterisk (*) are furnished when repairs are made at the factory.

LIST OF PARTS COMPLETE

FOR



MACHINE No. 71-48

MAKES TOP CORDED BUTTONHOLES, WHIP STITCH, SQUARE BAR AT FIRST END AND TAPER BAR AT FINISHING END. LAYS A CORD ON THE TOP SIDE UNDER THE OVERSEAMING STITCHES. KNIVES FROM $\frac{3}{8}$ TO $\frac{3}{4}$ INCH LONG. CUTS BOTH THREADS, CORD AND HOLE AUTOMATICALLY AFTER STITCHING.

No.	Plate	Name
*39846	----	Arm with 24081
8582	13585	" Dowel Pin (2)
748E	13585	" Screw (back) (2)
868E	13585	" " (front) (2)
23352	17931	" Shaft
*24081	----	" " Bushing (front)
12357	17931	" " Flanged Bushing (back)
435AL	17931	" " " " Set
		Screw
4784	17931	Arm Shaft Oil Pad (2)
1069D	17931	" " Screw
12193	13596	" Side Cover
703D	13596	" " " Thumb Screw

PARTS FOR MACHINE NO. 71-48

No.	Plate	Name
23353	13596	Arm Top Cover
808F	13596	" " " Screw (3)
39759	13589	Barring Cam with two 858AL
858AL	13589	" " Set Screw
39844	13596	" Indicator
1228C	13596	" " Stud
1589C	13596	" " Thumb Nut
23563	17889	" Lever
23564	17889	" " Catch with 1226C
1276C	17889	" " Hinge Screw
1226C	17889	" " Position Stud
23565	17889	" " Spring
805C	17889	" " " Screw
213949	17889	" " " " Washer
39616	17889	" " Stud
39617	17889	" " Rivet (long)
39618	17889	" " " (short)
1227C	17889	" " Hinge Screw
1655E	17889	" " Nut
23566	17889	" " Spring
124F	17889	" " Stop Screw
1518J	17889	" " Nut
23361	17889	" Ratchet Pawl
1248C	17889	" " Hinge Screw
23362	17889	" " Spring
93H	17889	" " " Screw
15072	17889	" " Stop Pin
23544	17889	" " Retaining Pawl (hinge screw end)
23545	17889	Barring Ratchet Retaining Pawl (wheel end)
203C	17889	Barring Ratchet Retaining Pawl Adjusting Screw
23546	17889	Barring Ratchet Retaining Pawl (adjustable) complete, Nos. 203C, 23544 and 23545
999F	17889	Barring Ratchet Retaining Pawl Hinge Screw
23364	17889	Barring Ratchet Retaining Pawl Spring
240D	17889	" " " " " Screw
23664	17889	Barring Ratchet Wheel
23665	17889	" " " Spring
1286C	17889	" " " Screw
23666	17889	" " " Washer
23367	17889	" " Tripping Point
193F	17889	" " " Screw
7071	17889	Barring Ratchet Wheel Tripping Point Screw Washer
23369	13596	Barring Stop Arm
23370	13596	" Tripping Lever
856C	13596	" " Hinge Screw
*39718	-----	Bed
39847	13585	" Oil Guard
39848	13585	" " Plate

PARTS FOR MACHINE NO. 71-48

No.	Plate	Name
1231F	13585	Bed Oil Guard Plate Screw (2)
1235F	13585	" " " Screw (2)
389D	17897	Bobbin Winder Base Plate Screw
135D	17897	" " Tension Bracket Screw
39539	13588	Clamp Arm
625F	13586	" " Adjusting Screw (2)
1547J	13586	" " " Nut (2)
39540	13586	" " Bracket with 196F
40003	13586	" " " Guide (left)
219F	13586	" " " " Screw (2)
40004	13586	" " " " (right)
207F	13586	" " " " " Screw (2)
191C	13586	" " " Screw (3)
39541	13586	" " " Washer (3)
23379	13586	" " Hinge Block
23380	13586	" " " Pin
196F	13586	" " " " Set Screw
402D	13586	" " Screw
39719	13587	" Carrier
40006	13589	" " Block with 40007 and four 404D
40007	13589	Clamp Carrier Block Plate
404D	13589	" " " " Screw
23384	13589	" " Connecting Rod
52C	13589	" " " Hinge Screw
39591	13587	" " Guide (left)
756D	13587	" " " " Screw (long)
1345D	13587	" " " " " (short)
39645	13587	" " " (right)
1230F	13587	" " " " Screw (2)
39543	13589	" " Regulator with 233D and 1960
1232C	13589	Clamp Carrier Regulator Hinge Screw
1960	13589	" " " Roller and Screw Stud with 1520J
1520J	13589	Clamp Carrier Regulator Roller and Screw Stud Nut
39762	13585	Clamp Carrier Regulator Slide
350076C	13589	" " " Stud (to regulate length of buttonhole).
1671C	13589	Clamp Carrier Regulator Stud Nut
39532	13589	" " " " Sleeve
233D	13589	" " " " Stop Screw
39720	13587	" " Slide with 1345D, 39591 and two 756D
23392	13587	Clamp Carrier Slide Guide (left)
914F	13587	" " " " " Screw (2)
23393	13587	Clamp Carrier Slide Guide (right)
914F	13587	" " " " " Screw (2)
23394	13589	Clamp Carrier Slide Lever with 1960
23395	13589	" " " " Regulator
23396	13589	" " " " " Cap
223D	13589	" " " " " " Screw (4)

PARTS FOR MACHINE NO. 71-48

No.	Plate	Name
67D	13589	Clamp Carrier Slide Lever Regulator Screw
1960	13589	Clamp Carrier Slide Lever Roller and Screw Stud with 1520J
1520J	13589	Clamp Carrier Slide Lever Roller and Screw Stud Nut
7278	13589	Clamp Carrier Slide Lever Socket Joint
1234C	13589	" " " Regulating Stud
23397	13589	" " " " "
		Bushing
1658C	13589	Clamp Carrier Slide Regulating Stud Thumb Nut
1256D	13587	Clamp Carrier Slide Screw (2)
39914	13588	" Check with 39915,50354E and two *237F
1297F	13588	Clamp Check Screw (2)
39915	13588	" " Section and Cutting Plate
237F	13588	" " " " " "
		Screw
50354E	13588	Clamp Check Section and Cutting Plate Support Stud (short)
39916	13588	Clamp Check complete, for 3/8 to 3/4 in. buttonhole, Nos. 219F, 2269, 39858, 39866, 39867, 39914 and 40050
39724	13588	Clamp Lifting Arm
40015	13593	" " " Connection
41C	13593	" " " " Hinge Screw
1520J	13593	" " " " " Nut
1901	13593	" " " " Roller and Screw Stud with 229D and 12424
40016	13593	Clamp Lifting Arm Connection Roller and Screw Stud Bracket
157F	13593	Clamp Lifting Arm Connection Roller and Screw Stud Bracket Screw
39541	13593	Clamp Lifting Arm Connection Roller and Screw Stud Bracket Screw Washer
229D	13593	Clamp Lifting Arm Connection Roller Cap Screw
12424	13593	Clamp Lifting Arm Connection Roller Cap Screw Washer
199D	13588	Clamp Lifting Arm Screw (2)
40017	13593	" " " " Stop
39725	13593	" " " " Bracket
162D	13593	" " " " " Screw (2)
1248C	13593	" " " " Hinge Screw
1611E	13593	" " " " " Nut
40019	13593	" " " " Pitman
59D	13593	" " " " Hinge Screw (2)
40020	13586	Clamp Plate
1235F	13587	" " Screw (4)
23573	13586	" " Support
402D	13586	" " Screw (2)
23574	13586	" Post
1659C	13586	" Pressure Regulating Thumb Nut
39514	13586	" Spring

PARTS FOR MACHINE NO. 71-48

No.	Plate	Name
23693	13586	Clamp Spring Bushing
1294C	13586	" " " Position Stud
1550J	13586	" " " " " Nut
18859	13585	Cord Guide
39899	13592	" Leading Bracket
39768	13592	" " " Dowel Pin
389F	13592	" " " Screw
39770	13585	" " Eye (double)
236F	13585	" " " Screw
39852	13592	" " Finger (lower)
350067E	13592	" " " " Screw
39853	13592	" " " " " Washer
39854	13592	" " " (upper)
230F	13592	" " " " Screw
39905	13592	Cord Leading Finger complete, Nos. 39852 to 39854 and 350067E
39855	13592	Cord Rotating Gear
39773	13592	" " " Gib (back)
39772	13592	" " " " (front)
1329D	13592	" " " " Screw (4)
39780	13592	" " " Slide
39781	13589	" " " " Block
39788	13592	" " " " Connecting Spring
50166E	13592	Cord Rotating Gear Slide Connecting Spring Screw Eye (back)
1241E	13592	Cord Rotating Gear Slide Connecting Spring Screw Eye (front)
39785	13592	Cord Rotating Gear Slide Extension
185H	13592	" " " " " Screw (2)
39782	13589	Cord Rotating Gear Slide Flange with two 453AL
453AL	13589	Cord Rotating Gear Slide Flange Set Screw
39783	13592	Cord Rotating Gear Slide Sleeve
39786	13592	" " " " " Slide
		Rod
39787	13592	Cord Rotating Gear Slide Sleeve Slide Rod Connection
871C	13592	Cord Rotating Gear Slide Sleeve Slide Rod Connection Handle Screw
1200C	13592	Cord Rotating Gear Slide Sleeve Slide Rod Connection Hinge Screw
1521E	13592	Cord Rotating Gear Slide Sleeve Slide Rod Nut
39784	13592	Cord Rotating Gear Slide Sleeve Spring
39856	13592	" " Sector with 7071, 39832 and 201321C
39832	13592	Cord Rotating Sector Adjustable Catch Notch Gib
201321C	13592	Cord Rotating Sector Adjustable Catch Notch Gib Screw
7071	13592	Cord Rotating Sector Adjustable Catch Notch Gib Screw Washer

PARTS FOR MACHINE NO. 71-48

No.	Plate	Name
39775	13594	Cord Rotating Sector Catch
39776	13594	" " " " Connection
39777	13594	" " " " "
219F	13594	Collar with two 219F Cord Rotating Sector Catch Connection
240D	13594	Cord Rotating Sector Catch Screw (2)
39778	13594	" " " " Spring
219F	13594	" " " " Screw
440AL	13594	" " " " Stop Screw
1547J	13594	" " " " Nut
201287D	13592	" " " " Hinge Screw (eccentric)
1520E	13592	Cord Rotating Sector Hinge Screw Nut
213949	13592	" " " " Washer
39779	13589	" " Tripping Cam with two 453AL
453AL	13589	" " " " Set Screw
39790	13585	" Take-up Spring
2455	13585	" Tension Disc (2)
50187D	13585	" Screw Stud
39789	13585	" Spring
1562J	13585	" Thumb Nut
24028	17891	Crank Connecting Rod with 24085 and two 896E
*24085	-----	Crank Connecting Rod Cap
896E	17891	" " " " Screw
908C	17891	" " " " Hinge Screw
1619E	17891	" " " " Nut
262010	13585	Face Plate
217F	13585	" Screw (2)
23407	17891	Feed Connecting Rod (lower)
375C	17891	" " " " Hinge Screw
1518J	17891	" " " " Nut
23408	17891	Feed Connecting Rod (upper) with 12204 202277 and two 966E
*12204	-----	Feed Connecting Rod (upper) Cap
966E	17891	" " " " Screw
202277	17891	" " " " Oil Packing? (wick)
23409	17891	Feed Disengaging Lever
1275C	17891	" " " " Hinge Screw
1521E	17891	" " " " Nut
23557	17891	" " " " Spring
23412	17931	" Eccentric with 448AL
448AL	17931	" Set Screw
39994	13589	" Hand Ratchet Lever
39995	13589	" " " " Pawl Body
39996	13589	Feed Hand Ratchet Lever Pawl complete, Nos. 207E, 39523, 39995 and two 1049E
90D	13589	Feed Hand Ratchet Lever Pawl Hinge Screw
39523	13589	Feed Hand Ratchet Lever Pawl Point
1049E	13589	" " " " " " " Position Screw
207E	13589	Feed Hand Ratchet Lever Pawl Point Screw

PARTS FOR MACHINE NO. 71-48

No.	Plate	Name
13218	13589	Feed Hand Ratchet Lever Pawl Spring
39997	13589	Feed Hand Ratchet Lever complete, Nos. 90D, 13218, 39994 and 39996
39924	13589	Feed Hand Ratchet Wheel with 460AL
3012	13589	" " " " Pin
460AL	13589	" " " " Set Screw
23418	17891	" Rock Shaft
23419	17891	Feed Rock Shaft complete, Nos. 23418 and 23420
23420	17891	Feed Rock Shaft Hinge Pin with 23421
23421	17891	" " " " " " Plug (leather)
448AL	17891	Feed Rock Shaft Hinge Pin Set Screw
23422	17891	" " " " Spring
39590	17891	" " " " Plate
181D	17891	" " " " Screw
39792	13590	" Wheel with 23432 and two 220D
249555	13590	" Clutch Disc
249562	13590	" " " " 249555 with 249549 to 249551, three each 185H, 201897, 255096 and 255097
249556	13590	Feed Wheel Clutch Disc Locking Plate with 350415C
350415C	13590	Feed Wheel Clutch Disc Locking Plate Screw
201897	13590	Feed Wheel Clutch Roller
249549	13590	" " " " Carrier
249550	13590	" " " " Oiling Felt
255096	13590	Feed Wheel Clutch Roller Spring
255097	13590	" " " " Guide
249560	-----	Feed Wheel Clutch (positive) complete, for machines equipped with spring clutch, Nos. 52C, 201724A, 249556 to 249559, 249561, 249562, 249820 and Form 2461w
249551	13590	Feed Wheel Driving Lever
249561	13590	" " " " Pitman with 23429, 50088C and two 196E
50088C	13590	Feed Wheel Driving Lever Pitman Ball Joint Screw
*23429	-----	Feed Wheel Driving Lever Pitman Cap
196E	13590	" " " " " " " Screw
249557	13590	Feed Wheel Driving Lever Plate
52C	13590	" " " " " " Screw
1236C	13590	" " " " Regulating Stud
7070	13590	Feed Wheel Driving Lever Regulating Stud Sleeve
201724A	13590	Feed Wheel Driving Lever Regulating Stud Thumb Nut
185H	13590	Feed Wheel Driving Lever Screw
249558	13590	" " " " Washer (felt)
1237C	13590	" " Friction Ring Screw
1520J	13590	" " " " " " Nut

No.	Plate	Name
23477	17931	Needle Bar Crank with 858AL,1036AL, 1065AL and 1258AL
1065AL	17931	Needle Bar Crank Position Screw
858AL	17931	" " " Set Screw
39794	13595	" " Frame with 4784
23558	17889	" " " Bell Crank with 1956 and 15072
1956	17889	Needle Bar Frame Bell Crank Roller and Screw Stud with 229D,1655C and 23389
1655C	17889	Needle Bar Frame Bell Crank Roller and Screw Stud Nut
229D	17889	Needle Bar Frame Bell Crank Roller Cap Screw
23389	17889	Needle Bar Frame Bell Crank Roller Cap Screw Washer
23667	17889	Needle Bar Frame Bell Crank Stud
39966	17889	" " " Cam and Bevel Gear
1244C	17889	" " " " " " " " Screw
39622	17889	Needle Bar Frame Connection with 1963 and 39616 to 39618
39926	17889	Needle Bar Frame Connection 39622 with 78C and 1226E
78C	17889	Needle Bar Frame Connection Hinge Screw
1963	17889	Needle Bar Frame Connection Roller and Stud
23483	17889	Needle Bar Frame Connection Spring
23484	17889	" " " " " " Hook
1226E	17889	" " " " " " " " Screw Stud
23485	17889	Needle Bar Frame Connection Stud
196F	17889	" " " " " " " " Set Screw
39967	17931	Needle Bar Frame Driving Bevel Pinion with two 453AL
453AL	17931	Needle Bar Frame Driving Bevel Pinion Set Screw
23610	13595	Needle Bar Frame Pitman (hinge screw end)
23609	13595	Needle Bar Frame Pitman (regulator end)
190C	13595	" " " " Adjusting Screw
7071	13595	" " " " " " " " Washer
23611	13595	Needle Bar Frame Pitman (adjustable) complete, Nos. 23609, 23610, two each 190C and 7071
1042C	13595	Needle Bar Frame Pitman Hinge Screw
1547J	13595	" " " " " " " " Nut
23491	13595	" " " " Regulator
39900	13595	" " " " 23491 with 1245C
1038C	13595	" " " " Adjusting Screw
7070	13595	" " " " " " " " Sleeve

No.	Plate	Name
1589C	13595	Needle Bar Frame Regulator Adjusting Screw Thumb Nut
1245C	13595	Needle Bar Frame Regulator Hinge Screw
673F	13595	" " " " " " Screw Center
1517J	13595	" " " " " " Nut
39837	13587	" " Plate
404D	13587	" " " Screw (2)
904F	13595	" " Set Screw
39653	17891	Oscillating Rock Shaft
39654	17891	Oscillating Rock Shaft complete, Nos. 4784, 23494 and 39653
23494	17891	Oscillating Rock Shaft Hinge Pin with 23421
23421	17891	Oscillating Rock Shaft Hinge Pin Oil Hole Plug (leather)
448AL	17891	Oscillating Rock Shaft Hinge Pin Set Screw
4784	17891	Oscillating Rock Shaft Oil Pad
39655	17931	" " Shaft
39656	17931	" " Bushing (back)
24047	17931	" " " (front)
39657	17931	" " Crank
39692	17931	Oscillating Shaft Crank complete, Nos. 1636E, 15171, 39657 and two 1253C
1253C	17931	Oscillating Shaft Crank Set Screw
15170	17931	" " " " " " Slide Block
226J	17931	" " " " " " Cap Screw
12424	17931	Oscillating Shaft Crank Slide Block Cap Screw Washer
1035C	17931	Oscillating Shaft Crank Slide Block Screw Stud
1636E	17931	Oscillating Shaft Crank Slide Block Screw Stud Nut
15171	17931	Oscillating Shaft Crank Slide Block complete Nos. 226J, 1035C, 12424 and 15170
*249538	-----	Pulley (loose) with 200584D
249891	17931	" " Ball Bearing
249539	17931	" " Bushing
200584D	17931	" " Grease Retaining Screw
249540	17931	Pulley (loose, ball bearing) complete, Nos. 249538, 249539 and 249891
40024	17931	Pulley (tight)
39927	17931	" " 40024 with 40025
249541	17931	" (tight) Counterbalance
249542	17931	" " " Rivet
40025	17931	" " Pin
23500	18200	Shuttle Bobbin
15140	18200	" " Case Latch
2973	18200	" " " " " Lever
2974	18200	" " " " " Fulcrum
		Pin
15141	18200	Shuttle Bobbin Case Hinge Nos. 2973, 2974 and 15140
2975	18200	Shuttle Bobbin Case Latch Spring

No.	Plate	Name
592E	18200	Shuttle Bobbin Case Latch Stop Screw
39623	18200	" " " Position Finger
2523	18200	" " " " "
		Rivet
249546	18200	Shuttle Bobbin Case Position Plate
399D	18200	" " " " Screw
40112	18200	Shuttle Bobbin Case complete, Nos. 591F, 592E, 2523, 2975, 15141, 15278 and 39823
40028	18200	Shuttle Body
591F	18200	" Tension Regulating Screw
15278	18200	" " Spring
40029	18200	" 1-11/16 in. diam. Nos. 23500, 40112 and 40028
23505	17931	Shuttle Driver with 462AL
2269	17931	" " Pin
462AL	17931	" " Set Screw
249924	18200	" Race
39969	18200	" " Back
2532	18200	" " " Position Pin
2533	18200	" " " Spring
907E	18200	" " " Screw
7326	18200	" " Cap
662D	18200	" " " Screw
249928	18200	" " Oil Packing (wick)
249926	18200	" " Plate
203E	18200	" " " Screw
249927	18200	" " Position Pin
249929	18200	Shuttle Race complete, Nos. 907E, 2533, 7326, 39969, 249546, 249924, 249926, two each 399D, 662D, 2532, 249927, 249928 and three 203E
145F	18200	Shuttle Race Screw
39627	17932	Starting Lever
717C	17932	" " Adjusting Screw
1520J	17932	" " " " Nut
23556	17932	" " Belt Shifter
159F	17932	" " " " Screw
23510	17932	" " Bracket
8582	17932	" " " Dowel Pin
123E	17932	" " " " Screw
23511	17932	" " Rod
61C	17932	" " " Hinge Screw
564C	17932	" " " Screw Center
58384	17932	" " " " 564C with 1508R (2)
1508R	17932	Starting Lever Screw Center Nut
14174	17932	" " Spring
124F	17932	" " Stop Screw
1518J	17932	" " " " Nut
39628	17931	Stop Cam with 39629 and 202330
39580	17932	" " Interlocking Rod
23514	17932	" " " " Guide with 1070C and 1959
1070C	17932	Stop Cam Interlocking Rod Guide Set Screw

No.	Plate	Name
39988	17932	Stop Cam Interlocking Rod Guide Washer (rawhide)
21651	17932	Stop Cam Interlocking Rod Spring
913C	17932	" " " " " Regulating Thumb Screw
1638E	17932	Stop Cam Interlocking Rod Spring Regulating Thumb Screw Nut
202330	17931	Stop Cam Oil Packing (wick)
39629	17931	" " Pin
23515	17931	" " Spring (long)
23516	17931	" " " (short)
249543	17931	" " " Cover with 249541, two each 9780 and 249542
9780	17931	Stop Cam Spring Cover Position Pin
997E	17931	" " " " " Screw (2)
39637	17931	" " " Stop Block
1349C	17931	" " " " " Screw
39638	17931	" " " " " Block
457AL	17931	" " " " " Set Screw
23518	13589	" Lever
78D	13589	" " Hinge Screw
9540	13589	" " Spring
2102	13594	Tension (side of arm) Disc (2)
1560C	13594	" " " " " Regulating Thumb Nut
23519	13594	Tension (side of arm) Releaser with 200F
40033	13593	Tension (side of arm) Releaser Arm with 50128E
12538	13593	Tension (side of arm) Releaser Arm Pin
50128E	13593	" " " " " " Set Screw
40051	13593	Tension (side of arm) Releaser Lever with 641C
40052	13593	Tension (side of arm) Releaser Lever Lock Pin
1352C	13593	Tension (side of arm) Releaser Lever Lock Pin Screw Bushing
40053	13593	Tension (side of arm) Releaser Lever Lock Pin Spring
2117C	13593	Tension (side of arm) Releaser Lever Pin
641C	13593	Tension (side of arm) Releaser Lever Set Screw
40054	13593	Tension (side of arm) Releaser Lever Shaft
40067	13593	Tension (side of arm) Releaser Lever Shaft Bracket
966D	13593	Tension (side of arm) Releaser Lever Shaft Bracket Screw (4)
40060	13593	Tension (side of arm) Releaser Lever Spring
1241E	13593	Tension (side of arm) Releaser Lever Spring Screw Stud (2)
717C	13593	Tension (side of arm) Releaser Lever Stop Screw

PARTS FOR MACHINE NO. 71-48

No.	Plate	Name
1520J	13593	Tension (side of arm) Releaser Lever Stop Screw Nut
200F	13594	Tension (side of arm) Releaser Set Screw
39797	13594	Tension (side of arm) Releaser Shaft
39798	13594	" " " " " " " "
		Crank
679C	13594	Tension (side of arm) Releaser Shaft Crank Ball Screw Stud
1520J	13594	Tension (side of arm) Releaser Shaft Crank Ball Screw Stud Nut
2269	13594	Tension (side of arm) Releaser Shaft Crank Pin
413F	13594	Tension (side of arm) Screw Stud
2103	13594	" " " " " Spring
23689	13594	" " " " " Thread Guard
460AL	13594	" " " " " " " Set Screw
39867	13588	Thread and Cord (upper) Clamping Blade
39858	13588	" " " " " Cutting Blade
39917	13588	" " " " " " " "
		Connecting Rod
40044	13588	Thread and Cord (upper) Cutting Blade Connecting Rod Collar with 237F
2273	13588	Thread and Cord (upper) Cutting Blade Connecting Rod Collar Pin
237F	13588	Thread and Cord (upper) Cutting Blade Connecting Rod Collar Set Screw
40045	13588	Thread and Cord (upper) Cutting Blade Connecting Rod Collar Washer (rawhide)
106C	13588	Thread and Cord (upper) Cutting Blade Connecting Rod Hinge Screw
39860	13588	Thread and Cord (upper) Cutting Blade Connecting Rod Latch
39861	13588	Thread and Cord (upper) Cutting Blade Connecting Rod Latch Hinge Bracket
201296D	13588	Thread and Cord (upper) Cutting Blade Connecting Rod Latch Hinge Bracket Screw
7071	13588	Thread and Cord (upper) Cutting Blade Connecting Rod Latch Hinge Bracket Screw Washer
201289C	13588	Thread and Cord (upper) Cutting Blade Connecting Rod Latch Hinge Screw
39862	13588	Thread and Cord (upper) Cutting Blade Connecting Rod Latch Spring
233D	13588	Thread and Cord (upper) Cutting Blade Connecting Rod Latch Spring Screw
39863	13588	Thread and Cord (upper) Cutting Blade Connecting Rod Spring
39903	13588	Thread and Cord (upper) Cutting Blade Connecting Rod Spring Bracket
39864	13588	Thread and Cord (upper) Cutting Blade Connecting Rod Spring Bracket Plate

PARTS FOR MACHINE NO. 71-48

No.	Plate	Name
201291B	13588	Thread and Cord (upper) Cutting Blade Connecting Rod Spring Bracket Screw
39865	13588	Thread and Cord (upper) Cutting Blade Connecting Rod Spring Collar with 201288D
201288D	13588	Thread and Cord (upper) Cutting Blade Connecting Rod Spring Collar Set Screw
219F	13588	Thread and Cord (upper) Cutting Blade Screw
39866	13588	Thread and Cord (upper) Cutting Blade Shaft
40050	13588	Thread and Cord (upper) Cutting Blade Shaft Crank with 906C
2269	13588	Thread and Cord (upper) Cutting Blade Shaft Crank Pin
906C	13588	Thread and Cord (upper) Cutting Blade Shaft Crank Set Screw
39984	13592	Thread and Cord Cutter Actuating Slide
39869	13589	" " " " " " " "
		Operating Disc with 450C and 453AL
39870	13589	Thread and Cord Cutter Actuating Slide Operating Disc Adjusting Sleeve with 1550J and 201292C
39871	13589	Thread and Cord Cutter Actuating Slide Operating Disc Adjusting Sleeve Spring (3)
450C	13589	Thread and Cord Cutter Actuating Slide Operating Disc Position Screw
453AL	13589	Thread and Cord Cutter Actuating Slide Operating Disc Set Screw
201292C	13589	Thread and Cord Cutter Actuating Slide Operating Disc Stud
1550J	13589	Thread and Cord Cutter Actuating Slide Operating Disc Stud Nut
249529	13592	Thread and Cord Cutter Actuating Slide Ratchet
39873	13592	Thread and Cord Cutter Actuating Slide Ratchet Pawl
39874	13592	Thread and Cord Cutter Actuating Slide Ratchet Pawl Bracket
39875	13592	Thread and Cord Cutter Actuating Slide Ratchet Pawl Disengaging Spring
202F	13592	Thread and Cord Cutter Actuating Slide Ratchet Pawl Disengaging Spring Screw
201290D	13592	Thread and Cord Cutter Actuating Slide Ratchet Pawl Hinge Screw
1550J	13592	Thread and Cord Cutter Actuating Slide Ratchet Pawl Hinge Screw Nut
39876	13592	Thread and Cord Cutter Actuating Slide Ratchet Pawl Spring
1241E	13593	Thread and Cord Cutter Actuating Slide Ratchet Pawl Spring Screw Stud
39878	13592	Thread and Cord Cutter Actuating Slide Ratchet Retaining Spring

PARTS FOR MACHINE NO. 71-48

No.	Plate	Name
50164D	13592	Thread and Cord Cutter Actuating Slide Ratchet Retaining Spring Screw
39998	13592	Thread and Cord Cutter Actuating Slide Ratchet Spring
240D	13592	Thread and Cord Cutter Actuating Slide Ratchet Spring Screw
39880	13592	Thread and Cord Cutter Actuating Slide Spring
201295E	13592	Thread and Cord Cutter Actuating Slide Spring Screw Stud
1241E	13592	Thread and Cord Cutter Actuating Slide Spring Screw Stud
201293C	13592	Thread and Cord Cutter Actuating Slide Stud
201703E	13592	Thread and Cord Cutter Actuating Slide Stud Nut
39985	13592	Thread and Cord Cutter Actuating Slide Support
203E	13592	Thread and Cord Cutter Actuating Slide Support Screw (2)
39882	13592	Thread and Cord Cutter Actuating Slide Support Washer (rawhide)
249530	13592	Thread and Cord Cutter Actuating Slide Wheel
77D	13592	Thread and Cord Cutter Actuating Slide Wheel Screw
40035	13587	Thread (lower) Cutting Blade
40036	13587	" " " Carrier with 40038
40037	13593	Thread (lower) Cutting Blade Carrier Lever
32C	13593	Thread (lower) Cutting Blade Carrier Lever Hinge Screw
39736	13593	Thread (lower) Cutting Blade Carrier Lever Spring
1241E	13593	Thread (lower) Cutting Blade Carrier Lever Spring Screw Stud (2)
435AL	13593	Thread (lower) Cutting Blade Carrier Lever Stop Screw
1520J	13593	Thread (lower) Cutting Blade Carrier Lever Stop Screw Nut
40038	13587	Thread (lower) Cutting Blade Carrier Stud
39646	13587	Thread (lower) Cutting Blade Friction Plate
228F	13587	Thread (lower) Cutting Blade Friction Plate Screw
240D	13587	Thread (lower) Cutting Blade Screw (2)
39990	13593	" " " Lever
1351C	13593	" " " Ball Screw
1520J	13593	" " " Nut
39921	13593	" " " Extension
966D	13593	" " " Screw
1671C	13593	" " " "
		Nut
249845	13587	Thread (lower) Pull-off Finger

PARTS FOR MACHINE NO. 71-48

No.	Plate	Name
106C	13587	Thread (lower) Pull-off Finger Guide Screw
1350C	13587	Thread (lower) Pull-off Finger Hinge Screw
12400	13594	Thread Retainer Sleeve
12401	13594	" " Spring
12402	13594	" " Stud
460AL	13594	" " " Set Screw
12399	13594	Thread Retainer complete, Nos. 12400 to 12402
23523	13595	Thread Take-up Crank
1036AL	17931	" " " Position Screw
1258AL	17931	" " " Set Screw
23524	13595	" " Lever
12166	13595	" " " Hinge Pin
23543	13595	" " " Link
11204	13595	" " " Hinge Pin
435AL	13595	" " " " " " Set Screw
23525	13595	Thread Take-up Lever complete, Nos. 12166, 23524 and 23543
4784	13595	Thread Take-up Lever Oil Pad
7335	13594	" " Spring
23526	13594	" " " Regulator
446C	13594	" " " " Set Screw

SINGER Needles should be used
in **SINGER** Machines
These Needles and their Containers
are marked with the
Company's Trade Mark "SIMANCO."**" 1

Needles in Containers marked
"FOR SINGER MACHINES"
are NOT **SINGER** made needles. 2

ACCESSORIES

No.	Plate	Name
39884	13597	Gauge, for 3/8 to 1-1/4 in., for setting length of buttonhole, with 39885 and 200137H
39885	13597	Gauge Chain
200137H	13597	" " Screw
40013	13597	Guide
1238F	13597	" Screw
39799	13591	Knife, 3/8 inch
39800	13591	" 1/2 inch
39801	13591	" 5/8 inch
23500	18200	Shuttle Bobbin (5)
39867	13588	Thread and Cord (upper) Clamping Blade
39858	13588	" " " " Cutting Blade
40035	13587	" (lower) Cutting Blade
255513	13597	Tweezers
71 x 1	-----	Needles, three each, sizes 14 and 16
Note: When fitted for heavy sweater work use needles 7lx5, size 16		
23527	17938	Drip Pan with two wood screws 1/2 in., Nos. 5, R.H.B.
120346	13597	Oiler (copper plated) with 120347
120347	13597	" Spout, 8-1/2 in. long
11831	13597	Screw Driver, 5 in. blade (machine, large)
26026	13597	" " "
26485	13597	" " "
10875	13597	Wrench, for 1518 and 1520
21654	13597	" for 1508 and 1638
23535	13597	" for 1671, for regulating length of buttonhole
39986	13597	Wrench, for 201703
249820	13597	" for 350415

BOBBIN WINDER

(SWINGING AUTOMATIC, RIGHT HAND)

27914	17897	Base with 27916 and two 28084
27915	17897	" Plate
389F	17897	" Screw
15072	17897	Bobbin Position Pin
27916	17897	Brake (leather)
28084	17897	" Rivet
27302	17897	Frame
50356D	17897	" Hinge Screw
1620J	17897	" " " Nut
27917	17897	" Spring

No.	Plate	Name
27918	17897	Pulley
*27849	-----	Spindle
27538	17897	" 27849 with 15072, 27850 and 41828
*27850	-----	" Collar
41828	17897	" " Pin
27919	17897	Stop Latch
35D	17897	" " Hinge Screw
27920	17897	Tension Bracket with 452C
41336	17897	Tension Bracket complete, Nos. 5989, 10145 and 27920
27921	17897	Tension Bracket with Rod complete, Nos. 27922 and 41336
2455	17897	Tension Disc
1562J	17897	" Regulating Thumb Nut
418D	17897	" Screw Stud
10141	17897	" Spring
10145	17897	" Thread Guide
5989	17897	Tension complete, Nos. 418D, 1562J, 10141 and two 2455
27922	17897	Thread Eyelet Rod
452C	17897	" " " Set Screw
27923	17897	Bobbin Winder Nos. 35D, 1620J, 27302, 27538, 27914, 27917 to 27919 and 50356D
27924	17897	Bobbin Winder (swinging automatic, right hand) complete, Nos. 27915, 27921, 27923 and two 389F

IRON BASE

39910	17938	Bed Frame with two each 16555, 19398, four each 84E, 24106, six 14010 and four wood screws 1-1/4 in., No. 12
24106	17938	Bed Frame Cushion (felt)
84E	17938	" " " Screw
19226	17938	" " Hinge Connection
19398	17938	" " " " 19226 with 211E and 19397
19397	17938	Bed Frame Hinge Connection Cap
211E	17938	" " " " " Screw
16555	17938	" " " " Plate
14010	17938	" " " " Rivet
39911	17938	Splash Guard with 201655J
39912	17938	" " " Hinge
200574E	17938	" " " " Screw
201655J	17938	" " " Locking Screw Wing Nut
39913	17938	Bed Frame and Splash Guard complete, Nos. 39910, 39911, two 39912 and eight 200574E

DRIVING EQUIPMENT

No.	Plate	Name
228320	18235	Bed Frame Cushion (felt)
228321	18235	Belt Idler Belt Guide with 361C
361C	18235	" " " " Set Screw
228423	18235	" " Pulley
228323	18235	" " " " Bracket with three 355C
355C	18235	Belt Idler Pulley Bracket Set Screw
126910	18235	" " " " Shaft
228324	18235	" " " " Hanger with two 355C and three wood screws 1 in.,No.12
355C	18235	Belt Idler Pulley Bracket Shaft Set Screw
228326	18235	Belt Idler Pulley Shaft with 858AL and 203100
203100	18235	Belt Idler Pulley Shaft Oil Packing (wick)
858AL	18235	Belt Idler Pulley Shaft Oil Stop Screw
355C	18235	" " " " Set Screw
228327	18235	" " " " Washer (rawhide)
228328	18235	Belt Idler complete,Nos.126910,228324, two each 228321,228323,228326, 228423,four 228327 and Form All27
228330	18235	Clamp Lifting Chain,46 in.long with 39575 and 39576
39571	18235	Clamp Lifting Chain Guide Pulley
236849	18235	" " " " " Bracket
1064D	18235	" " " " " Hinge Screw
236850	18235	Clamp Lifting Chain Guide Pulley Bracket complete,Nos.1064D,39571, 236849 and two wood screws 1-1/4 in.,No.12,R.H.B.
39575	18235	Clamp Lifting Chain Hook (large)
39576	18235	" " " " (small)
23551	18235	" " " " Screw Eye
234344	18235	Front Plank Extension (front) with two wood screws 2-1/4 in.,No.12 and three wood screws 1-3/4 in.,No.12
250408	18235	Machine Rest (high) with 232982 and two wood screws 1 in.,No.12
232982	18235	Machine Rest Cushion (leather)
228333	18235	Starting Chain Cushion Spring
39575	18235	" " " " Hook (large)
39576	18235	" " " " (small)
228347	18235	" " " " (lower) 10-1/2 in.long
228348	18235	" " " " (upper) 22 in.long
228349	18235	Starting Chain complete,Nos.228333, 228347,228348,two each 39575 and 39576

ACCESSORIES

No.	Plate	Name
14372	18235	Treadle
14373	18235	" Extension
50581R	18235	" " Screw
2718R	18235	" " " Washer
17881	18235	" Shaft
14374	18235	" Spring
14375	18235	" Stand
14376	18235	Treadle complete,Nos.2718R,14372 to 14375,17881,50581R and two wood screws 1-1/4 in.,No.12,R.H.
228354	18235	Driving Equipment less shaft pulley complete,Nos.228328,228330,228349, 234344,250408,two each 14376,23551, four each 228320 and 236850

THREAD UNWINDER

259370	13599	Spool Pin
259371	13599	" " Cap (bakelite)
1010F	13599	" " Hinge Screw
259372	13599	" " Washer
259373	13599	Spool Pin complete,Nos.1010F and 259370 to 259372
259374	13599	Spool Rest (for one spool) (flat) with 201018C
259375	13599	Spool Rest (for two spools) (flat) with 201018C
150203	13599	Spool Rest Cushion (felt)
225388	13599	" " Rod
200383C	13599	" " " Set Screw
201018C	13599	" " " Set Screw
259658	13599	" Stand with 200383C
225391	13599	Thread Guide
201696H	13599	" " Lock Nut
225326	13599	" " Position Cup
225324	13599	" " Rod with 208AL and 225322
208AL	13599	" " " Screw
225322	13599	" " " Washer
259377	13599	Thread Unwinder (for three spools) complete,Nos.201696H,225324,225326, 225388,259374,259375,259658,three each 150203,225391,259373 and wood screws 7/8 in.,No.12

KNIVES

No.	Plate	Name
39799	13591	Knife, 3/8 inch
39840	13591	" 7/16 inch
39800	13591	" 1/2 inch
39831	13591	" 9/16 inch
39801	13591	" 5/8 inch
39841	13591	" 11/16 inch
39829	13591	" 3/4 inch
39842	13591	" 13/16 inch
39795	13591	" 7/8 inch
39839	13591	" 15/16 inch
39830	13591	" 1 inch
39843	13591	" 1-1/16 inch
39826	13591	" 1-1/8 inch
39907	13591	" 1-1/4 inch

MISCELLANEOUS PARTS

23679 17941 Drip Pan, 7/8 in. deep

USED IN CONJUNCTION WITH THREAD UNWINDER

60913	13599	Spool Weight with 60914
60914	13599	" " Center Pin
225377	13599	" Wire, for small spools
27739	13599	Thread Cone
225390	13599	" " Holder

PARTS FOR MAKING BUTTONHOLES FROM
13/16 TO 1 1/4 INCHES LONG

39922	13598	Clamp Check with 39915, 50354E and two 237F
39923	13598	Clamp Check complete, for 13/16 to 1-1/4 in. buttonholes, Nos. 219F, 2269, 39858, 39866, 39867, 39922 and 40050
39859	13598	Thread and Cord (upper) Cutting Blade Connecting Rod

DRIVING EQUIPMENT

PARTS REQUIRED FOR MACHINE WHEN SET IN PAIRS

No.	Plate	Name
228320	17903	Bed Frame Cushion (felt)
228321	17903	" Idler Belt Guide with 3610
3610	17903	" " " " Set Screw
228423	17903	" " Pulley
228323	17903	" " " Bracket with three 355C
355C	17903	Belt Idler Pulley Bracket Set Screw
126910	17903	" " " " Shaft
228324	17903	" " " " Hanger with two 355C and three wood screws 1 in., No. 12
355C	17903	Belt Idler Pulley Bracket Shaft Set Screw
228326	17903	Belt Idler Pulley Shaft with 858AL and 203100
203100	17903	Belt Idler Pulley Shaft Oil Packing (wick)
858AL	17903	Belt Idler Pulley Shaft Oil Stop Screw
355C	17903	" " " " Set Screw
228327	17903	" " " Washer (rawhide)
228328	17903	Belt Idler complete, Nos. 126910, 228324, two each 228321, 228323, 228326, 228423, four 228327 and Form A1127
228329	17903	Clamp Lifting Chain, 34 in. long with 39575 and 39576 (for left hand machine)
228330	17903	Clamp Lifting Chain, 46 in. long with 39575 and 39576 (for right hand machine)
39571	17903	Clamp Lifting Chain Guide Pulley
236849	17903	" " " " " Bracket
1064D	17903	" " " " " Hinge Screw
236850	17903	Clamp Lifting Chain Guide Pulley Bracket complete, Nos. 1064D, 39571, 236849 and two wood screws 1-1/4 in., No. 12, R.H.B.
39575	17903	Clamp Lifting Chain Hook (large)
39576	17903	" " " " (small)
23551	17903	" " " " Screw Eye
228331	17903	Front Plank Extension with two wood screws 2-1/2 in., No. 14
39810	17903	Knee Starting Rock Shaft
228332	17903	" " " " Connecting Rod
6337	17903	" " " " " "
356C	17903	Bracket with two 356C Knee Starting Rock Shaft Connecting Rod Bracket Set Screw
356C	17903	Knee Starting Rock Shaft Connecting Rod Set Screw

DRIVING EQUIPMENT

No.	Plate	Name
228333	17903	Knee Starting Rock Shaft Connection Cushion Spring
39575	17903	Knee Starting Rock Shaft Connection Hook (large)
39576	17903	Knee Starting Rock Shaft Connection Hook (small)
228334	17903	Knee Starting Rock Shaft Connection Spring
228335	17903	Knee Starting Rock Shaft Connection complete, Nos. 39575, 39576, 228333 and 228334
21327	17903	Knee Starting Rock Shaft Hanger with two wood screws 1 in., No. 10
6335	17903	Knee Starting Rock Shaft Knee Arm
6336	17903	" " " " " " 6335 with 2766 and 2767
2766	17903	Knee Starting Rock Shaft Knee Arm Hub with 3560
3560	17903	Knee Starting Rock Shaft Knee Arm Hub Set Screw
1507R	17903	Knee Starting Rock Shaft Knee Arm Lock Nut
2767	17903	Knee Starting Rock Shaft Knee Plate with 3560
150668	17903	Knee Starting Rock Shaft Knee Plate Pad (rubber)
3560	17903	Knee Starting Rock Shaft Knee Plate Set Screw
228337	17903	Knee Starting Rock Shaft Position Spring
228338	17903	Knee Starting Rock Shaft Position Spring Adjusting Collar with 4540
4540	17903	Knee Starting Rock Shaft Position Spring Adjusting Collar Set Screw
2770	17903	Knee Starting Rock Shaft Stop Dog with 140219C
140219C	17903	Knee Starting Rock Shaft Stop Dog Set Screw
228339	17903	Knee Starting Rock Shaft complete, Nos. 1507R, 2770, 6336, 6337, 39810, 150668, 228332, 228335, 228337, 228338 and two 21327
250408	17903	Machine Rest (high) with 232982 and two wood screws 1 in., No. 12
232982	17903	Machine Rest Cushion (leather)
14372	17903	Treadle
14373	17903	" Extension
50581R	17903	" " Screw
2718R	17903	" " " Washer
17881	17903	" Shaft
14374	17903	" Spring
14375	17903	" Stand
14376	17903	Treadle complete, Nos. 2718R, 14372 to 14375, 17881, 50581R and two wood screws 1-1/4 in., No. 12, R.H.

DRIVING EQUIPMENT

No.	Plate	Name
228355	17903	Driving Equipment less shaft pulley complete, Nos. 228329 to 228331, 250408, two 14376, 23551, 228328, 228339, 236850, eight 228320 and two blue prints

KNIFE GRINDER

No.	Plate	Name
39886	17904	Emery Wheel, 4 in. diameter
39887	17904	" " Driving Shaft
201510D	17904	" " " " Nut
204101	17904	" " " " Washer
39888	17904	" " " " Oil Hole Cover
350068E	17904	" " " " " " " " Screw
206963	17904	Emery Wheel Driving Shaft Pulley with two 200403C
200403C	17904	Emery Wheel Driving Shaft Pulley Set Screw
206969	17904	Emery Wheel Washer (paper)
39889	17904	Knife Grinder Frame
39890	17904	" Holder (adjustable)
57C	17904	" " Hinge Screw
39891	17904	" " Indicator
203094	17904	" " " Position Pin
200165H	17904	" " " Screw
39892	17904	" " Slide Bracket with 200386C
201298C	17904	" " " Adjusting Screw
39893	17904	" " " " " " " " Slide Plate
200577XC	17904	Knife Holder Slide Bracket Adjusting Screw Slide Plate Screw
10249	17904	Knife Holder Slide Bracket Adjusting Screw Tension Spring
219F	17904	Knife Holder Slide Bracket Adjusting Screw Tension Spring Screw
200386C	17904	Knife Holder Slide Bracket Set Screw
39894	17904	" " " " Shaft
206232	17904	" " " " " Collar with 201052C
201052C	17904	Knife Holder Slide Bracket Shaft Collar Set Screw
771D	17904	Knife Holder Thumb Screw
9525	17904	" " " " Washer
39895	17904	" Holding Spring
39896	17904	" " " Bracket
204264	17904	" " " " Position Pin
176D	17904	" " " " Screw
204264	17904	" " " " Position Pin
793D	17904	" " " " Thumb Screw
39897	17904	" Stop (adjustable)
208AL	17904	" " Screw

No.	Plate	Name
39898	17904	Knife Grinder complete, Nos. 57C, 176D, 208AL, 219F, 771D, 793D, 9525, 10249, 39886 to 39897, 200165H, 201298C, 201510D, 203094, 204101, 206963, 350068E, two each 200577XC, 204264, 206232, 206969 and three wood screws 1-1/4 in., No. 12

OBSOLETE PARTS

23529	-----	Bed Frame with two each 16555, 19398, four each 84E, 24106, six 14010 and four wood screws 1-1/4 in., No. 12
23373	-----	Belt Cover
39582	-----	" " Bracket
23375	-----	" " Hinge Block with 460AL
23376	-----	" " " Pin
39850	-----	Clamp Check Section and Cutting Plate
23680	-----	Shuttle Tension Spring

SINGER Needles should be used
in **SINGER** Machines
These Needles and their Containers
are marked with the
Company's Trade Mark "SIMANCO."** 1

Needles in Containers marked
"FOR SINGER MACHINES"
are NOT **SINGER** made needles. 2

NUMERICAL LIST OF PARTS

No.	Plate	Name
32C	13593	Thread (lower) Cutting Blade Carrier Lever Hinge Screw
35D	17897	Bobbin Winder Stop Latch Hinge Screw, for 27923
41C	13593	Clamp Lifting Arm Connection Hinge Screw
52C	13589	Clamp Carrier Connecting Rod Hinge Screw
52C	13590	Feed Wheel Driving Lever Plate Screw, for 249560
54C	13591	Knife Bar Driving Lever (intermediate) Connecting Link Hinge Screw
57C	17904	Knife Grinder Knife Holder Hinge Screw for 39898
59D	13593	Clamp Lifting Arm Stop Pitman Hinge Screw
61C	17932	Starting Lever Rod Hinge Screw
67D	13589	Clamp Carrier Slide Lever Regulator Screw
77D	13592	Thread and Cord Cutter Actuating Slide Wheel Screw
78C	17889	Needle Bar Frame Connection Hinge Screw, for 39926
78D	13589	Stop Lever Hinge Screw
84E	17938	Bed Frame Cushion Screw, for 23529 and 39910
90D	13589	Feed Hand Ratchet Lever Pawl Hinge Screw, for 39997
90C	13591	Knife Bar Disengaging Lever Catch Hinge Screw
90C	13591	Knife Bar Disengaging Lever Hinge Screw
93H	17889	Barring Ratchet Pawl Spring Screw
106C	13588	Thread and Cord (upper) Cutting Blade Connecting Rod Hinge Screw
106C	13587	Thread (lower) Pull-off Finger Guide Screw
123E	17932	Starting Lever Bracket Screw
124F	17889	Barring Lever Stop Screw
124F	17932	Starting Lever Stop Screw
135D	17897	Bobbin Winder Tension Bracket Screw
145F	18200	Shuttle Race Screw
157F	13593	Clamp Lifting Arm Connection Roller and Screw Stud Bracket Screw
157D	13591	Knife Bar Disengaging Lever Catch Bracket Screw
157C	13591	Knife Holder Screw
159F	17932	Starting Lever Belt Shifter Screw

NUMERICAL LIST OF PARTS

No.	Plate	Name
162D	13593	Clamp Lifting Arm Stop Bracket Screw
175D	13589	Knife Bar Disengaging Lever Catch Tripping Point Screw
176D	17904	Knife Grinder Knife Holding Spring Bracket Screw, for 39898
179E	13590	Feed Wheel Tripping Lever Stop Screw
181D	17891	" Rock Shaft Spring Screw
185H	13592	Cord Rotating Gear Slide Extension Screw
185H	13590	Feed Wheel Driving Lever Screw, for 249562
190D	13590	Feed Wheel Tripping Lever Spring Screw
190C	13595	Needle Bar Frame Pitman Adjusting Screw, for 23611
191C	13586	Clamp Arm Bracket Screw
193F	17889	Barring Ratchet Wheel Tripping Point Screw
196F	13586	Clamp Arm Hinge Block Pin Set Screw, for 39540
196E	13590	Feed Wheel Driving Lever Pitman Cap Screw, for 249561
196F	17889	Needle Bar Frame Connection Stud Set Screw
199D	13588	Clamp Lifting Arm Screw
200F	13594	Tension (side of arm) Releaser Set Screw, for 23519
202F	13592	Thread and Cord Cutter Actuating Slide Ratchet Pawl Disengaging Spring Screw
203C	17889	Barring Ratchet Retaining Pawl Adjust- ing Screw, for 23546
203C	13590	Feed Wheel Tripping Lever Point Screw
203E	13592	Thread and Cord Cutter Actuating Slide Support Screw
203E	18200	Shuttle Race Plate Screw, for 249929
207F	13586	Clamp Arm Bracket Guide (right) Screw
207E	13589	Feed Hand Ratchet Lever Pawl Point Screw, for 39996
208AL	17904	Knife Grinder Knife Stop Screw, for 39898
208AL	13599	Thread Unwinder Thread Guide Rod Screw for 225324
211E	17938	Bed Frame Hinge Connection Cap Screw, for 19398
217F	13585	Face Plate Screw
219F	13586	Clamp Arm Bracket Guide (left) Screw
219F	13594	Cord Rotating Sector Catch Connection Collar Set Screw, for 39777
219F	13594	Cord Rotating Sector Catch Spring Screw
219F	17904	Knife Grinder Knife Holder Slide Bracket Adjusting Screw Tension Spring Screw, for 39898
219F	13588	Thread and Cord (upper) Cutting Blade Screw, for 39916 and 39923
220D	13590	Feed Wheel Tripping Point Screw, for 39792

NUMERICAL LIST OF PARTS

No.	Plate	Name
223D	13589	Clamp Carrier Slide Lever Regulator Cap Screw
226J	17931	Oscillating Shaft Crank Slide Block Cap Screw, for 15171
228F	13587	Thread (lower) Cutting Blade Friction Plate Screw
229D	13593	Clamp Lifting Arm Connection Roller Cap Screw, for 1901
229D	17932	Knife Bar Driving Lever (intermediate) Roller Cap Screw, for 1959
229D	17889	Needle Bar Frame Bell Crank Roller Cap Screw, for 1956
230F	13592	Cord Leading Finger (upper) Screw
233D	13589	Clamp Carrier Regulator Stud Stop Screw, for 39543
233D	13590	Feed Wheel Retaining Clutch Spring Screw
233D	13588	Thread and Cord (upper) Cutting Blade Connecting Rod Latch Spring Screw
236F	13585	Cord Leading Eye Screw
237F	13588	Clamp Check Section and Cutting Plate Screw, for 39914 and 39922
237F	13588	Thread and Cord (upper) Cutting Blade Connecting Rod Collar Set Screw, for 40044
240D	17889	Barring Ratchet Retaining Pawl Spring Screw
240D	13594	Cord Rotating Sector Catch Screw
240D	13587	Thread (lower) Cutting Blade Screw
240D	13592	" and Cord Cutter Actuating Slide Ratchet Spring Screw
355C	18235	Belt Idler Pulley Bracket Set Screw, for 228323
355C	18235	Belt Idler Pulley Bracket Shaft Set Screw, for 228324
355C	18235	Belt Idler Pulley Shaft Set Screw, for 228323
356C	17903	Knee Starting Rock Shaft Connecting Rod Bracket Set Screw, for 6337
356C	17903	Knee Starting Rock Shaft Connecting Rod Set Screw, for 6337
356C	17903	Knee Starting Rock Shaft Knee Arm Hub Set Screw, for 2766
356C	17903	Knee Starting Rock Shaft Knee Plate Set Screw, for 2767
361C	18235	Belt Idler Belt Guide Set Screw, for 228321
375C	17891	Feed Connecting Rod (lower) Hinge Screw
389D	17897	Bobbin Winder Base Plate Screw
389F	17897	" " " Screw, for 27924
389F	13592	Cord Leading Bracket Screw
399D	18200	Shuttle Bobbin Case Position Plate Screw, for 249929
402D	13586	Clamp Arm Screw
402D	13586	" Plate Support Screw

NUMERICAL LIST OF PARTS

No.	Plate	Name
404D	13589	Clamp Carrier Block Plate Screw, for 40006
404D	13587	Needle Plate Screw
413F	13594	Tension (side of arm) Screw Stud
418D	17897	Bobbin Winder Tension Screw Stud, for 5989
435AL	17931	Arm Shaft Flanged Bushing (back) Set Screw
435AL	13593	Thread (lower) Cutting Blade Carrier Lever Stop Screw
435AL	13595	Thread Take-up Lever Link Hinge Pin Set Screw
440AL	13594	Cord Rotating Sector Catch Stop Screw
446C	13594	Thread Take-up Spring Regulator Set Screw
448AL	17931	Feed Eccentric Set Screw, for 23412
448AL	17891	" Rock Shaft Hinge Pin Set Screw
448AL	13589	Knife Bar Disengaging Lever Catch Tripping Point Collar Set Screw, for 23467
448AL	17891	Oscillating Rock Shaft Hinge Pin Set Screw
450C	13589	Thread and Cord Cutter Actuating Slide Operating Disc Position Screw, for 39869
452C	17897	Bobbin Winder Thread Eyelet Rod Set Screw, for 27920
453AL	13589	Cord Rotating Gear Slide Flange Set Screw, for 39782
453AL	13589	Cord Rotating Tripping Cam Set Screw, for 39779
453AL	17931	Needle Bar Frame Driving Bevel Pinion Set Screw, for 39967
453AL	13589	Thread and Cord Cutter Actuating Slide Operating Disc Set Screw, for 39869
454C	17903	Knee Starting Rock Shaft Position Spring Adjusting Collar Set Screw, for 228338
457AL	13589	Feed Wheel Shaft Oil Hole Plug Screw
457AL	17931	Stop Cam Spring Stop Screw Set Screw
460AL	-----	Belt Cover Hinge Block Pin Set Screw, for 23375
460AL	13589	Feed Hand Ratchet Wheel Set Screw, for 39924
460AL	13594	Tension (side of arm) Thread Guard Set Screw
460AL	13594	Thread Retainer Stud Set Screw
462AL	17931	Shuttle Driver Set Screw, for 23505
564C	17932	Starting Lever Screw Center, for 58364
591F	18200	Shuttle Tension Regulating Screw, for 40112
592E	18200	Shuttle Bobbin Case Latch Stop Screw, for 40112
625F	13586	Clamp Arm Adjusting Screw
641C	13593	Tension (side of arm) Releaser Lever Set Screw, for 40051

NUMERICAL LIST OF PARTS

No.	Plate	Name
662D	18200	Shuttle Race Cap Screw, for 249929
673F	13595	Needle Bar Frame Screw Center
679C	13594	Tension (side of arm) Releaser Shaft Crank Ball Screw Stud
703D	13596	Arm Side Cover Thumb Screw
717C	17932	Starting Lever Adjusting Screw
717C	13593	Tension (side of arm) Releaser Lever Stop Screw
721D	13590	Feed Wheel Retaining Clutch Spring Stop Screw
748E	13585	Arm Screw (back)
756D	13587	Clamp Carrier Guide (left) Screw (long), for 39720
771D	17904	Knife Grinder Knife Holder Thumb Screw for 39898
793D	17904	Knife Grinder Knife Holding Spring Thumb Screw, for 39898
794E	13595	Needle Bar Connecting Link Adjusting Screw, for 23476
805C	17889	Barring Lever Catch Spring Screw
805C	13591	Knife Bar Driving Lever Spring Screw
808F	13596	Arm Top Cover Screw
856C	13596	Barring Tripping Lever Hinge Screw
858AL	13589	" Cam Set Screw, for 39759
858AL	18235	Belt Idler Pulley Shaft Oil Stop Screw for 228326
858AL	17931	Needle Bar Crank Set Screw, for 23477
868E	13585	Arm Screw (front)
871C	13592	Cord Rotating Gear Slide Sleeve Slide Rod Connection Handle Screw
896E	17891	Crank Connecting Rod Cap Screw, for 24028
898C	13590	Feed Wheel Retaining Clutch Cap Screw
904F	13595	Needle Set Screw, for 39857
906C	13588	Thread and Cord (upper) Cutting Blade Shaft Crank Set Screw, for 40050
907E	18200	Shuttle Race Back Spring Screw, for 249929
908C	17891	Crank Connecting Rod Hinge Screw
913C	17932	Stop Cam Interlocking Rod Spring Regulating Thumb Screw
914F	13587	Clamp Carrier Slide Guide (left) Screw
914F	13587	" " " " (right) Screw
968E	17891	Feed Connecting Rod (upper) Cap Screw, for 23408
966D	13593	Tension (side of arm) Releaser Lever Shaft Bracket Screw
966D	13593	Thread (lower) Cutting Lever Extension Screw
997E	17931	Stop Cam Spring Cover Screw
999F	17889	Barring Ratchet Retaining Pawl Hinge Screw
1010F	13599	Thread Unwinder Spool Pin Cap Hinge Screw, for 259373
1021E	13595	Needle Bar Connecting Link Cap Screw

NUMERICAL LIST OF PARTS

No.	Plate	Name
1035C	17931	Oscillating Shaft Crank Slide Block Screw Stud, for 15171
1036AL	17931	Thread Take-up Crank Position Screw, for 23477
1038C	13595	Needle Bar Frame Regulator Adjusting Screw
1042C	13595	Needle Bar Frame Pitman Hinge Screw
1049E	13589	Feed Hand Ratchet Lever Pawl Point Position Screw, for 39996
1064D	18235	Clamp Lifting Chain Guide Pulley Hinge Screw, for 236850
1065AL	17931	Needle Bar Crank Position Screw, for 23477
1069D	17931	Arm Shaft Screw
1070C	17932	Stop Cam Interlocking Rod Guide Set Screw, for 23514
1094F	13591	Knife Screw
1200C	13592	Cord Rotating Gear Slide Sleeve Slide Rod Connection Hinge Screw
1222C	13591	Knife Bar Driving Lever (intermediate) Hinge Screw
1226C	17889	Barring Lever Catch Position Stud, for 23564
1226E	17889	Needle Bar Frame Connection Spring Screw Stud, for 39926
1227C	17889	Barring Lever Hinge Screw
1228C	13596	" Indicator Stud
1230F	13587	Clamp Carrier Guide (right) Screw
1231F	13585	Bed Oil Guard Plate Screw
1232C	13589	Clamp Carrier Regulator Hinge Screw
1234C	13589	" Slide Regulating Stud
1235F	13585	Bed Oil Guard Screw
1235F	13587	Clamp Plate Screw
1236C	13590	Feed Wheel Driving Lever Regulating Stud
1237C	13590	Feed Wheel Friction Ring Screw
1238F	13597	Guide Screw
1239D	13591	Knife Bar Connecting Link Hinge Cap Screw
1240C	13591	Knife Bar Connecting Link Hinge Screw
1241E	13592	Cord Rotating Gear Slide Connecting Spring Screw Eye (front)
1241E	13591	Knife Bar Disengaging Lever Catch Spring Screw Stud
1241E	13593	Tension (side of arm) Releaser Lever Spring Screw Stud
1241E	13593	Thread (lower) Cutting Blade Carrier Lever Spring Screw Stud
1241E	13592	Thread and Cord Cutter Actuating Slide Spring Screw Stud
1241E	13593	Thread and Cord Cutter Actuating Slide Ratchet Pawl Spring Screw Stud
1242E	13591	Knife Bar Disengaging Lever Spring Screw, for 249656
1243C	13595	Knife Holder Guide Stud
1244C	17889	Needle Bar Frame Cam and Bevel Gear Screw

NUMERICAL LIST OF PARTS

No.	Plate	Name
1245C	13595	Needle Bar Frame Regulator Hinge Screw for 39900
1248C	17889	Barring Ratchet Pawl Hinge Screw
1248C	13593	Clamp Lifting Arm Stop Hinge Screw
1253C	17931	Oscillating Shaft Crank Set Screw, for 39692
1256D	13587	Clamp Carrier Slide Screw
1258AL	17931	Thread Take-up Crank Set Screw, for 23477
1275C	17891	Feed Disengaging Lever Hinge Screw
1276C	17889	Barring Lever Catch Hinge Screw
1286C	17889	" Ratchet Wheel Spring Screw
1294C	13586	Clamp Spring Bushing Position Stud
1297F	13588	" Check Screw
1319F	13591	Knife Bar Connecting Stud Clamping Screw, for 23462
1329D	13592	Cord Rotating Gear Glb Screw
1341C	13595	Needle Bar Connecting Stud Set Screw, for 39601
1345D	13587	Clamp Carrier Guide (left) Screw (short), for 39720
1349C	17931	Stop Cam Spring Stop Screw
1350C	13587	Thread (lower) Pull-off Finger Hinge Screw
1351C	13593	Thread (lower) Cutting Lever Ball Screw
1352C	13593	Tension (side of arm) Releaser Lever Lock Pin Screw Bushing
1428C	13591	Knife Bar Driving Lever Screw Stud
1507R	17903	Knee Starting Rock Shaft Knee Arm Lock Nut, for 228339
1508R	17932	Starting Lever Screw Center Nut, for 58384
1517J	13595	Needle Bar Frame Screw Center Nut
1518J	17889	Barring Lever Stop Screw Nut
1518J	17891	Feed Connecting Rod (lower) Hinge Screw Nut
1518J	17932	Starting Lever Stop Screw Nut
1520J	13589	Clamp Carrier Regulator Roller and Screw Stud Nut, for 1960
1520J	13589	Clamp Carrier Slide Lever Roller and Screw Stud Nut, for 1960
1520J	13593	Clamp Lifting Arm Connection Hinge Screw Nut
1520E	13592	Cord Rotating Sector Hinge Screw Nut
1520J	13590	Feed Wheel Friction Ring Screw Nut
1520J	13591	Knife Bar Driving Lever Screw Stud Nut
1520J	17932	Starting Lever Adjusting Screw Nut
1520J	13593	Tension (side of arm) Releaser Lever Stop Screw Nut
1520J	13594	Tension (side of arm) Releaser Shaft Crank Ball Screw Stud Nut
1520J	13593	Thread (lower) Cutting Blade Carrier Lever Stop Screw Nut
1520J	13593	Thread (lower) Cutting Lever Ball Screw Nut

NUMERICAL LIST OF PARTS

No.	Plate	Name
1521E	13592	Cord Rotating Gear Slide Sleeve Slide Rod Nut
1521E	17891	Feed Disengaging Lever Hinge Screw Nut
1547J	13586	Clamp Arm Adjusting Screw Nut
1547J	13594	Cord Rotating Sector Catch Stop Screw Nut
1547J	13591	Knife Holder Screw Nut
1547J	13595	Needle Bar Frame Pitman Hinge Screw Nut
1550J	13586	Clamp Spring Bushing Position Stud Nut
1550J	13589	Thread and Cord Cutter Actuating Slide Operating Disc Stud Nut, for 39870
1550J	13592	Thread and Cord Cutter Actuating Slide Ratchet Pawl Hinge Screw Nut
1560C	13594	Tension (side of arm) Regulating Thumb Nut
1562J	17897	Bobbin Winder Tension Regulating Thumb Nut, for 5989
1562J	13585	Cord Tension Thumb Nut
1589C	13596	Barring Indicator Stud Thumb Nut
1589C	13595	Needle Bar Frame Regulator Adjusting Screw Thumb Nut
1608C	13595	Knife Holder Guide Stud Nut
1611E	13593	Clamp Lifting Arm Stop Hinge Screw Nut
1619E	17891	Crank Connecting Rod Hinge Screw Nut
1620J	17897	Bobbin Winder Frame Hinge Screw Nut, for 27923
1620E	13590	Feed Wheel Tripping Lever Hinge Screw Nut
1636E	17931	Oscillating Shaft Crank Slide Block Screw Stud Nut, for 39692
1638E	17932	Stop Cam Interlocking Rod Spring Regulating Thumb Screw Nut
1655E	17889	Barring Lever Hinge Screw Nut
1655C	17889	Needle Bar Frame Bell Crank Roller and Screw Stud Nut, for 1956
1658C	13589	Clamp Carrier Slide Regulating Stud Thumb Nut
1659C	13586	Clamp Pressure Regulating Thumb Nut
1671C	13589	" Carrier Regulator Stud Nut
1671C	13593	Thread (lower) Cutting Lever Extension Screw Nut
1901	13593	Clamp Lifting Arm Connection Roller and Screw Stud with 229D and 12424
1956	17889	Needle Bar Frame Bell Crank Roller and Screw Stud with 229D, 1655C and 23389, for 23558
1959	17932	Knife Bar Driving Lever (intermediate) Roller and Screw Stud with 229D and 12424, for 23514
1960	13589	Clamp Carrier Regulator Roller and Screw Stud with 1520J, for 39543
1960	13589	Clamp Carrier Slide Lever Roller and Screw Stud with 1520J, for 23394
1963	13591	Knife Bar Disengaging Lever Catch Roller and Stud, for 23464

NUMERICAL LIST OF PARTS

No.	Plate	Name
1963	17889	Needle Bar Frame Connection Roller and Stud, for 39622
2102	13594	Tension (side of arm) Disc
2103	13594	" " " " Spring
2117C	13590	Feed Wheel Pin
2117C	13593	Tension (side of arm) Releaser Lever Pin
2256	13590	Feed Wheel Retaining Clutch Spring
2269	17931	Shuttle Driver Pin
2269	13594	Tension (side of arm) Releaser Shaft Crank Pin
2269	13588	Thread and Cord (upper) Cutting Blade Shaft Crank Pin, for 39916 and 39923
2273	13588	Thread and Cord (upper) Cutting Blade Connecting Rod Collar Pin
2455	17897	Bobbin Winder Tension Disc, for 5989
2455	13585	Cord Tension Disc
2523	18200	Shuttle Bobbin Case Position Finger Rivet, for 40112
2532	18200	Shuttle Race Back Position Pin, for 249929
2533	18200	Shuttle Race Back Spring, for 249929
2718R	18235	Treadle Extension Screw Washer, for 14376
2766	17903	Knee Starting Rock Shaft Knee Arm Hub with 356C, for 6336
2767	17903	Knee Starting Rock Shaft Knee Plate with 356C, for 6336
2770	17903	Knee Starting Rock Shaft Stop Dog with 140219C, for 228339
2973	18200	Shuttle Bobbin Case Latch Lever, for 15141
2974	18200	Shuttle Bobbin Case Latch Lever Fulcrum Pin, for 15141
2975	18200	Shuttle Bobbin Case Latch Spring, for 40112
3012	13589	Feed Hand Ratchet Wheel Pin
4784	17931	Arm Shaft Oil Pad
4784	17891	Oscillating Rock Shaft Oil Pad, for 39654
4784	13595	Thread Take-up Lever Oil Pad, for 39794
5989	17897	Bobbin Winder Tension complete, Nos. 418D, 1562J, 10141 and two 2455, for 41336
6335	17903	Knee Starting Rock Shaft Knee Arm, for 6336
6336	17903	Knee Starting Rock Shaft Knee Arm 6335 with 2766 and 2767, for 228339
6337	17903	Knee Starting Rock Shaft Connecting Rod Bracket with two 356C, for 228339
7070	13590	Feed Wheel Driving Lever Regulating Stud Sleeve
7070	13595	Needle Bar Frame Regulator Adjusting Screw Sleeve

NUMERICAL LIST OF PARTS

No.	Plate	Name
7071	17889	Barring Ratchet Wheel Tripping Point Screw Washer
7071	13592	Cord Rotating Sector Adjustable Catch Notch Gib Screw Washer, for 39856
7071	13595	Needle Bar Frame Pitman Adjusting Screw Washer, for 23611
7071	13588	Thread and Cord (upper) Cutting Blade Connecting Rod Latch Hinge Bracket Screw Washer
7278	13589	Clamp Carrier Slide Lever Socket Joint
7326	18200	Shuttle Race Cap, for 249929
7335	13594	Thread Take-up Spring
8582	13585	Arm Dowel Pin
8582	17932	Starting Lever Bracket Dowel Pin
9525	17904	Knife Grinder Knife Holder Thumb Screw Washer, for 39898
9540	13589	Stop Lever Spring
9780	17931	" Cam Spring Cover Position Pin, for 249543
10141	17897	Bobbin Winder Tension Spring, for 5989
10145	17897	" " " Thread Guide, for 41336
10249	17904	Knife Grinder Knife Holder Slide Bracket Adjusting Screw Tension Spring, for 39898
10875	13597	Wrench, for 1518 and 1520
11204	13595	Thread Take-up Lever Link Hinge Pin
11831	13597	Screw Driver, 5 in. blade (machine, large)
12166	13595	Thread Take-up Lever Hinge Pin, for 23525
12193	13596	Arm Side Cover
*12204	-----	Feed Connecting Rod (upper) Cap, for 23408
12357	17931	Arm Shaft Flanged Bushing (back)
12399	13594	Thread Retainer complete, Nos. 12400 to 12402
		Nos. 12400 to 12402, for 12399
12400	13594	Thread Retainer Sleeve
12401	13594	" " Spring
12402	13594	" " Stud
12424	13593	Clamp Lifting Arm Connection Roller Cap Screw Washer, for 1901
12424	17932	Knife Bar Driving Lever (intermediate) Roller Cap Screw Washer, for 1959
12424	17931	Oscillating Shaft Crank Slide Block Cap Screw Washer, for 15171
12538	13593	Tension (side of arm) Releaser Arm Pin
13218	13589	Feed Hand Ratchet Lever Pawl Spring, for 39997
14010	17938	Bed Frame Hinge Plate Rivet, for 23529 and 39910
14017	13590	Feed Wheel Friction Ring Screw Washer
14174	17932	Starting Lever Spring

NUMERICAL LIST OF PARTS

No.	Plate	Name
		Nos. 14372 to 14375, for 14376
14372	18235	Treadle
14373	18235	" Extension
14374	18235	" Spring
14375	18235	" Stand
14376	18235	Treadle complete, Nos. 2718R, 14372 to 14375, 17881, 50581R and two wood screws 1-1/4 in., No. 12, R.H., for 228354 and 228355
15072	17889	Barring Ratchet Pawl Spring Stop Pin, for 23558
15072	17897	Bobbin Winder Bobbin Position Pin, for 27538
15140	18200	Shuttle Bobbin Case Latch, for 15141
15141	18200	" " " Hinge, Nos. 2973, 2974 and 15140, for 40112
15170	17931	Oscillating Shaft Crank Slide Block, for 15171
15171	17931	Oscillating Shaft Crank Slide Block complete, Nos. 226J, 1035C, 12424 and 15170, for 39692
15278	18200	Shuttle Tension Spring, for 40112
16555	17938	Bed Frame Hinge Plate, for 23529 and 39910
17881	18235	Treadle Shaft, for 14376
18859	13585	Cord Guide
19226	17938	Bed Frame Hinge Connection, for 19398
19397	17938	" " " " Cap, for 19398
19398	17938	" " " " 19226 with 211E and 19397, for 23529 and 39910
21327	17903	Knee Starting Rock Shaft Hanger with two wood screws 1 in., No. 10, for 228339
21651	17932	Stop Cam Interlocking Rod Spring
21654	13597	Wrench, for 1508 and 1638
23352	17931	Arm Shaft
23353	13596	" Top Cover
23361	17889	Barring Ratchet Pawl
23362	17889	" " " Spring
23364	17889	" " Retaining Pawl Spring
23367	17889	" " Wheel Tripping Point
23369	13596	" Stop Arm
23370	13596	" Tripping Lever
23373	-----	Belt Cover (obsolete)
23375	-----	" " Hinge Block with 460AL (obsolete)
23376	-----	Belt Cover Hinge Block Pin (obsolete)
23379	13586	Clamp Arm Hinge Block
23380	13586	" " " Pin
23384	13589	" Carrier Connecting Rod
23389	17889	Needle Bar Frame Bell Crank Roller Cap Screw Washer, for 1956
23390	13591	Knife Screw Washer
23392	13587	Clamp Carrier Slide Guide (left)
23393	13587	" " " " (right)
23394	13589	" " " Lever with 1960
23395	13589	" " " " Regulator

NUMERICAL LIST OF PARTS

No.	Plate	Name
23396	13589	Clamp Carrier Slide Lever Regulator Cap
23397	13589	Clamp Carrier Slide Regulating Stud Bushing
23407	17891	Feed Connecting Rod (lower)
23408	17891	" " " (upper) with 12204 202277 and two 966E
23409	17891	Feed Disengaging Lever
23412	17931	" Eccentric with 448AL
23418	17891	" Rock Shaft, for 23419
23419	17891	" " " complete, Nos. 23418 and 23420
23420	17891	Feed Rock Shaft Hinge Pin with 23421, for 23419
23421	17891	Feed Rock Shaft Hinge Pin Plug (leather), for 23420
23421	17891	Oscillating Rock Shaft Hinge Pin Oil Hole Plug (leather), for 23494
23422	17891	Feed Rock Shaft Spring
*23429	-----	" Wheel Driving Lever Pitman Cap, for 249561
23432	13590	Feed Wheel Tripping Point, for 39792
23433	13590	" " " Lever
23435	13590	" " " Spring
23460	13591	Knife Bar
23461	13591	" " Connecting Link
23462	13591	" " Stud with 1319F
23464	13591	" " Disengaging Lever Catch with 1963
23465	13591	Knife Bar Disengaging Lever Catch Bracket
23466	13589	Knife Bar Disengaging Lever Catch Tripping Point
23467	13589	Knife Bar Disengaging Lever Catch Tripping Point Collar with two 448AL
23468	13591	Knife Bar Disengaging Lever Catch Spring
23469	13591	Knife Bar Driving Lever
23470	13591	" " " " (intermediate)
23471	13591	" " " " " "
		Connecting Link
23476	13595	Needle Bar Connecting Link with 794E
23477	17931	" " Crank with 858AL, 1036AL, 1065AL and 1258AL
23483	17889	Needle Bar Frame Connection Spring
23484	17889	" " " " " Hook
23485	17889	" " " " Stud
23491	13595	" " " Regulator, for 39900
23494	17891	Oscillating Rock Shaft Hinge Pin with 23421, for 39654
23500	18200	Shuttle Bobbin, for 40029
23505	17931	" Driver with 462AL
23510	17932	Starting Lever Bracket
23511	17932	" " Rod

NUMERICAL LIST OF PARTS

No.	Plate	Name
23514	17932	Stop Cam Interlocking Rod Guide with 10700 and 1959
23515	17931	Stop Cam Spring (long)
23516	17931	" " " (short)
23518	13589	" Lever
23519	13594	Tension (side of arm) Releaser with 200F
23523	13595	Thread Take-up Crank
23524	13595	" " Lever, for 23525
23525	13595	Thread Take-up Lever complete, Nos. 12166, 23524 and 23543
23526	13594	Thread Take-up Spring Regulator
23527	17938	Drip Pan with two wood screws 1/2 in., No. 5, R.H.B.
23529	-----	Bed Frame with two each 16555, 19398, four each 84E, 24106, six 14010 and four wood screws 1-1/4 in., No. 12, (obsolete)
23535	13597	Wrench, for 1671, for regulating length of buttonhole
23543	13595	Thread Take-up Lever Link, for 23525
23544	17889	Barring Ratchet Retaining Pawl (hinge screw end), for 23546
23545	17889	Barring Ratchet Retaining Pawl (wheel end), for 23546
23546	17889	Barring Ratchet Retaining Pawl (adjustable) complete, Nos. 2030, 23544 and 23545
23551	18235	Clamp Lifting Chain Hook Screw Eye, for 228354 and 228355
		Nos. 23552 to 23554, for 23555
23552	13590	Feed Wheel Friction Ring Section (long)
23553	13590	Feed Wheel Friction Ring Section (short)
23554	13590	Feed Wheel Friction Ring Spring
23555	13590	Feed Wheel Friction Ring complete, Nos. 23552 to 23554
23556	17932	Starting Lever Belt Shifter
23557	17891	Feed Disengaging Lever Spring
23558	17889	Needle Bar Frame Bell Crank with 1956 and 15072
23563	17889	Barring Lever
23564	17889	" " Catch with 12260
23565	17889	" " " Spring
23566	17889	" " " Spring
23573	13586	Clamp Plate Support
23574	13586	" Post
23587	13590	Feed Wheel Tripping Lever Point
23606	13591	Knife Bar Disengaging Lever Spring
23609	13595	Needle Bar Frame Pitman (regulator end), for 23611
23610	13595	Needle Bar Frame Pitman (hinge screw end), for 23611
23611	13595	Needle Bar Frame Pitman (adjustable) complete, Nos. 23609, 23610, two each 190C and 7071

NUMERICAL LIST OF PARTS

No.	Plate	Name
23664	17889	Barring Ratchet Wheel
23665	17889	" " " Spring
23666	17889	" " " Washer
23667	17889	Needle Bar Frame Bell Crank Stud
23669	13594	Tension (side of arm) Thread Guard
23679	17941	Drip Pan, 7/8 in. deep
23680	-----	Shuttle Tension Spring (obsolete)
23681	13591	Knife Bar Driving Lever Spring
23693	13586	Clamp Spring Bushing
24028	17891	Crank Connecting Rod with 24085 and two 896E
24047	17931	Oscillating Shaft Bushing (front)
*24081	-----	Arm Shaft Bushing (front), for 39846
*24085	-----	Crank Connecting Rod Cap, for 24028
24106	17938	Bed Frame Cushion (felt), for 23529 and 39910
26026	13597	Screw Driver
26485	13597	" "
27302	17897	Bobbin Winder Frame, for 27923
27538	17897	" " Spindle 27849 with 15072, 27850 and 41828, for 27923
27739	13599	Thread Cone
*27849	-----	Bobbin Winder Spindle, for 27538
*27850	-----	" " " Collar, for 27538
27914	17897	" " Base with 27916 and two 28084, for 27923
27915	17897	Bobbin Winder Base Plate, for 27924
27916	17897	" " Brake (leather), for 27914
27917	17897	Nos. 27917 to 27919, for 27923
27918	17897	Bobbin Winder Frame Spring
27919	17897	" " Pulley
27920	17897	" " Stop Latch
27921	17897	" " Tension Bracket with 4520 for 41336
27922	17897	Bobbin Winder Tension Bracket with Rod complete, Nos. 27922 and 41336, for 27924
27923	17897	Bobbin Winder Thread Eyelet Rod, for 27921
27924	17897	Bobbin Winder Nos. 35D, 1620J, 27302, 27538, 27914, 27917 to 27919 and 50356D, for 27924
27924	17897	Bobbin Winder (swinging automatic right hand) complete, Nos. 27915, 27921, 27923 and two 389F
28084	17897	Bobbin Winder Brake Rivet, for 27914
39504	13590	Feed Wheel Retaining Clutch Cap Screw Washer
39514	13586	Clamp Spring
39523	13589	Feed Hand Ratchet Lever Pawl Point, for 39996
39532	13589	Clamp Carrier Regulator Stud Sleeve
39539	13588	" Arm
39540	13586	" " Bracket with 196F
39541	13586	" " " Screw Washer

NUMERICAL LIST OF PARTS

No.	Plate	Name
39541	13593	Clamp Lifting Arm Connection Roller and Screw Stud Bracket Screw Washer
39543	13589	Clamp Carrier Regulator with 233D and 1960
39571	18235	Clamp Lifting Chain Guide Pulley, for 236850
39575	18235	Clamp Lifting Chain Hook (large), for 228329 and 228330
39575	17903	Knee Starting Rock Shaft Connection Hook (large), for 228335
39575	18235	Starting Chain Hook (large), for 228349
39576	18235	Clamp Lifting Chain Hook (small), for 228329 and 228330
39576	17903	Knee Starting Rock Shaft Connection Hook (small), for 228335
39576	18235	Starting Chain Hook (small), for 228349
39580	17932	Stop Cam Interlocking Rod
39582	-----	Belt Cover Bracket (obsolete)
39590	17891	Feed Rock Shaft Spring Plate
39591	13587	Clamp Carrier Guide (left), for 39720
39595	13590	Feed Wheel Retaining Clutch Cap
39596	13590	" " " " Stud
39601	13595	Needle Bar Connecting Stud with 1341C Nos. 39616 to 39618, for 39622
39616	17889	Barring Lever Catch Stud
39617	17889	" " " " Rivet (long)
39618	17889	" " " " " (short)
39622	17889	Needle Bar Frame Connection with 1963 and 39616 to 39618, for 39926
39623	18200	Shuttle Bobbin Case Position Finger, for 40112
39627	17932	Starting Lever
39628	17931	Stop Cam with 39629 and 202330
39629	17931	" " Pin, for 39628
39637	17931	" " Spring Stop Block
39638	17931	" " " " Screw Block
39645	13587	Clamp Carrier Guide (right)
39646	13587	Thread (lower) Cutting Blade Friction Plate
39653	17891	Oscillating Rock Shaft, for 39654
39654	17891	Oscillating Rock Shaft complete, Nos. 4784, 23494 and 39653
39655	17931	Oscillating Shaft
39656	17931	" " Bushing (back)
39657	17931	" " Crank, for 39692
39692	17931	Oscillating Shaft Crank complete, Nos. 1636E, 15171, 39657 and two 1253C
*39718	-----	Bed
39719	13587	Clamp Carrier
39720	13587	" " Slide with 1345D, 39591 and two 756D
39724	13588	Clamp Lifting Arm
39725	13593	" " " Stop Bracket
39736	13593	Thread (lower) Cutting Blade Carrier Lever Spring
39759	13589	Barring Cam with two 858AL

NUMERICAL LIST OF PARTS

No.	Plate	Name
39762	13585	Clamp Carrier Regulator Slide
39768	13592	Cord Leading Bracket Dowel Pin
39770	13585	" " Eye (double)
39772	13592	" Rotating Gear Gib (front)
39773	13592	" " " " (back)
39775	13594	" " Sector Catch
39776	13594	" " " " Connection
39777	13594	" " " " " Collar
		with two 219F
39778	13594	Cord Rotating Sector Catch Spring
39779	13589	" " Tripping Cam with two 453AL
39780	13592	Cord Rotating Gear Slide
39781	13589	" " " " Block
39782	13589	" " " " Flange with two 453AL
39783	13592	Cord Rotating Gear Slide Sleeve
39784	13592	" " " " " Spring
39785	13592	" " " " Extension
39786	13592	" " " " Sleeve Slide Rod
39787	13592	Cord Rotating Gear Slide Sleeve Slide Rod Connection
39788	13592	Cord Rotating Gear Slide Connecting Spring
39789	13585	Cord Tension Spring
39790	13585	" Take-up Spring
39792	13590	Feed Wheel with 23432 and two 220D
39793	13589	" " Shaft
39794	13595	Needle Bar Frame with 4784
39795	13591	Knife, 7/8 inch
39796	13591	" Holder
39797	13594	Tension (side of arm) Releaser Shaft
39798	13594	" " " " " " " "
		Crank
39799	13591	Knife, 3/8 inch
39800	13591	" 1/2 inch
39801	13591	" 5/8 inch
39810	17903	Knee Starting Rock Shaft, for 228339
39826	13591	Knife, 1-1/8 inch
39829	13591	" 3/4 inch
39830	13591	" 1 inch
39831	13591	" 9/16 inch
39832	13592	Cord Rotating Sector Adjustable Catch Notch Gib, for 39856
39837	13587	Needle Plate
39839	13591	Knife, 15/16 inch
39840	13591	" 7/16 inch
39841	13591	" 11/16 inch
39842	13591	" 13/16 inch
39843	13591	" 1-1/16 inch
39844	13596	Barring Indicator
*39846	-----	Arm with 24081
39847	13585	Bed Oil Guard
39848	13585	" " " " Plate
39850	-----	Clamp Check Section and Cutting Plate (obsolete)

NUMERICAL LIST OF PARTS

No.	Plate	Name
		Nos. 39852 to 39854, for 39905
39852	13592	Cord Leading Finger (lower)
39853	13592	" " " " Screw Washer
39854	13592	" " " " (upper)
39855	13592	" Rotating Gear
39856	13592	" " Sector with 7071, 39832 and 201321C
39857	13595	Needle Bar with 904F
39858	13588	Thread and Cord (upper) Cutting Blade, for 39916 and 39923
39859	13598	Thread and Cord (upper) Cutting Blade Connecting Rod
39860	13588	Thread and Cord (upper) Cutting Blade Connecting Rod Latch
39861	13588	Thread and Cord (upper) Cutting Blade Connecting Rod Latch Hinge Bracket
39862	13588	Thread and Cord (upper) Cutting Blade Connecting Rod Latch Spring
39863	13588	Thread and Cord (upper) Cutting Blade Connecting Rod Spring
39864	13588	Thread and Cord (upper) Cutting Blade Connecting Rod Spring Bracket Plate
39865	13588	Thread and Cord (upper) Cutting Blade Connecting Rod Spring Collar with 201288D
39866	13588	Thread and Cord (upper) Cutting Blade Shaft, for 39916 and 39923
39867	13588	Thread and Cord (upper) Clamping Blade for 39916 and 39923
39869	13589	Thread and Cord Cutter Actuating Slide Operating Disc with 450C and 453AL
39870	13589	Thread and Cord Cutter Actuating Slide Operating Disc Adjusting Sleeve with 1550J and 201292C
39871	13589	Thread and Cord Cutter Actuating Slide Operating Disc Adjusting Sleeve Spring
39873	13592	Thread and Cord Cutter Actuating Slide Ratchet Pawl
39874	13592	Thread and Cord Cutter Actuating Slide Ratchet Pawl Bracket
39875	13592	Thread and Cord Cutter Actuating Slide Ratchet Pawl Disengaging Spring
39876	13592	Thread and Cord Cutter Actuating Slide Ratchet Pawl Spring
39878	13592	Thread and Cord Cutter Actuating Slide Ratchet Retaining Spring
39880	13592	Thread and Cord Cutter Actuating Slide Spring
39882	13592	Thread and Cord Cutter Actuating Slide Support Washer (rawhide)
39884	13597	Gauge, for 3/8 to 1-1/4 in., for setting length of buttonhole, with 39885 and 200137H
39885	13597	Gauge Chain, for 39884

NUMERICAL LIST OF PARTS

No.	Plate	Name
		Nos.39886 to 39897, for 39898
39886	17904	Knife Grinder Emery Wheel, 4 in. diameter
39887	17904	Knife Grinder Emery Wheel Driving Shaft
39888	17904	Knife Grinder Emery Wheel Driving Shaft Oil Hole Cover
39889	17904	Knife Grinder Frame
39890	17904	" " Knife Holder (adjustable)
39891	17904	" " " " Indicator
39892	17904	" " " " Slide Bracket with 200386C
39893	17904	Knife Grinder Knife Holder Slide Bracket Adjusting Screw Slide Plate
39894	17904	Knife Grinder Knife Holder Slide Bracket Shaft
39895	17904	Knife Grinder Knife Holding Spring
39896	17904	" " " " " " Bracket
39897	17904	Knife Grinder Knife Stop (adjustable)
39898	17904	Knife Grinder complete, Nos. 57C, 176D, 208AL, 219F, 771D, 795D, 952S, 10249, 39886 to 39897, 200165H, 201298C, 201510D, 203094, 204101, 206963, 350068E, two each 200577XC, 204264, 206232, 206969 and three wood screws 1-1/4 in., No. 12
39899	13592	Cord Leading Bracket
39900	13595	Needle Bar Frame Regulator 23491 with 1245C
39903	13588	Thread and Cord (upper) Cutting Blade Connecting Rod Spring Bracket
39905	13592	Cord Leading Finger complete, Nos. 39852 to 39854 and 350067E
39907	13591	Knife, 1-1/4 inch
		Nos. 39910 to 39912, for 39913
39910	17938	Bed Frame with two each 16555, 19398, four each 84E, 24106, six 14010 and four wood screws 1-1/4 in., No. 12
39911	17938	Bed Frame Splash Guard with 201655J
39912	17938	" " " " Hinge
39913	17938	Bed Frame and Splash Guard complete, Nos. 39910, 39911, two 39912 and eight 200574E
39914	13588	Clamp Check with 39915, 50354E and two 237F, for 39916
39915	13588	Clamp Check Section and Cutting Plate, for 39914 and 39922
39916	13588	Clamp Check complete, for 3/8 to 3/4 in. buttonhole, Nos. 219F, 2269, 39858, 39866, 39867, 39914 and 40050
39917	13588	Thread and Cord (upper) Cutting Blade Connecting Rod
39921	13593	Thread (lower) Cutting Lever Extension
39922	13598	Clamp Check with 39915, 50354E and two 237F, for 39923

* NUMERICAL LIST OF PARTS

No.	Plate	Name
39923	13598	Clamp Check complete, for 13/16 to 1-1/4 in. buttonholes, Nos. 219F, 2269, 39858, 39866, 39867, 39922 and 40050
39924	13589	Feed Hand Ratchet Wheel with 460AL
39926	17889	Needle Bar Frame Connection 39622 with 78C and 1226E
39927	17931	Pulley 40024 with 40025
39966	17889	Needle Bar Frame Cam and Bevel Gear
39967	17931	" " " " Driving Bevel Pinion with two 453AL
39969	18200	Shuttle Race Back, for 249929
39984	13592	Thread and Cord Cutter Actuating Slide
39985	13592	" " " " " " Support
39986	13597	Wrench, for 201703
39988	17932	Stop Cam Interlocking Rod Guide Washer (rawhide)
39990	13593	Thread (lower) Cutting Lever
39994	13589	Feed Hand Ratchet Lever, for 39997
39995	13589	" " " " Pawl Body, for 39996
39996	13589	Feed Hand Ratchet Lever Pawl complete, Nos. 207E, 39523, 39995 and two 1049E, for 39997
39997	13589	Feed Hand Ratchet Lever complete, Nos. 90D, 13218, 39994 and 39996
39998	13592	Thread and Cord Cutter Actuating Slide Ratchet Spring
40003	13586	Clamp Arm Bracket Guide (left)
40004	13586	" " " " (right)
40006	13589	" Carrier Block with 40007 and four 404D
40007	13589	Clamp Carrier Block Plate, for 40006
40013	13597	Guide
40015	13593	Clamp Lifting Arm Connection
40016	13593	" " " " Roller and Screw Stud Bracket
40017	13593	Clamp Lifting Arm Stop
40019	13593	" " " " Pitman
40020	13586	Clamp Plate
40024	17931	Pulley (tight), for 39927
40025	17931	" " Pin, for 39927
40028	18200	Shuttle Body, for 40029
40029	18200	" 1-11/16 in. diam., Nos. 23500, 40112 and 40028
40033	13593	Tension (side of arm) Releaser Arm with 50128E
40035	13587	Thread (lower) Cutting Blade
40036	13587	" " " " Carrier with 40038
40037	13593	Thread (lower) Cutting Blade Carrier Lever
40038	13587	Thread (lower) Cutting Blade Carrier Stud, for 40036
40044	13588	Thread and Cord (upper) Cutting Blade Connecting Rod Collar with 237F

NUMERICAL LIST OF PARTS

No.	Plate	Name
40045	13588	Thread and Cord (upper) Cutting Blade Connecting Rod Collar Washer (rawhide)
40050	13588	Thread and Cord (upper) Cutting Blade Shaft Crank with 903C, for 39916 and 39923
40051	13593	Tension (side of arm) Releaser Lever with 641C
40052	13593	Tension (side of arm) Releaser Lever Lock Pin
40053	13593	Tension (side of arm) Releaser Lever Lock Pin Spring
40054	13593	Tension (side of arm) Releaser Lever Shaft
40060	13593	Tension (side of arm) Releaser Lever Spring
40067	13593	Tension (side of arm) Releaser Lever Shaft Bracket
40112	18200	Shuttle Bobbin Case complete, Nos. 591F, 592E, 2523, 2975, 15141, 15278 and 39623, for 40029
41336	17897	Bobbin Winder Tension Bracket complete Nos. 5989, 10145 and 27920, for 27921
41828	17897	Bobbin Winder Spindle Collar Pin, for 27538
50088C	13590	Feed Wheel Driving Lever Pitman Ball Joint Screw, for 249561
50128E	13593	Tension (side of arm) Releaser Arm Set Screw, for 40033
50164D	13592	Thread and Cord Cutter Actuating Slide Ratchet Retaining Spring Screw
50166E	13592	Cord Rotating Gear Slide Connecting Spring Screw Eye (back)
50167D	13585	Cord Tension Screw Stud
50354E	13588	Clamp Check Section and Cutting Plate Support Stud (short), for 39914 and 39922
50356D	17897	Bobbin Winder Frame Hinge Screw, for 27923
50581R	18235	Treadle Extension Screw, for 14376
50615D	13591	Knife Bar Stop Retainer Plate Screw
58384	17932	Starting Lever Screw Center 564C with 1508R
60913	13599	Spool Weight with 60914
60914	13599	" " Center Pin, for 60913
120346	13597	Oiler (copper plated) with 120347
120347	13597	" Spout, 8-1/2 in. long, for 120346
126910	18235	Belt Idler Pulley Bracket Shaft, for 228328
140219C	17903	Knee Starting Rock Shaft Stop Dog Set Screw, for 2770
150203	13599	Thread Unwinder Spool Rest Cushion (felt), for 259377
150668	17903	Knee Starting Rock Shaft Knee Plate Pad (rubber), for 228339

NUMERICAL LIST OF PARTS

No.	Plate	Name
200137H	13597	Gauge Chain Screw, for 39884
200165H	17904	Knife Grinder Knife Holder Indicator Screw, for 39898
200383C	13599	Thread Unwinder Spool Rest Rod Set Screw, for 259658
200386C	17904	Knife Grinder Knife Holder Slide Bracket Set Screw, for 39892
200403C	17904	Knife Grinder Emery Wheel Driving Shaft Pulley Set Screw, for 206963
200574E	17938	Bed Frame Splash Guard Hinge Screw, 39913
200577XC	17904	Knife Grinder Knife Holder Slide Bracket Adjusting Screw Slide Plate Screw, for 39898
200584D	17931	Pulley (loose) Grease Retaining Screw, for 249538
201018C	13599	Thread Unwinder Spool Rest Set Screw, for 259374 and 259375
201052C	17904	Knife Grinder Knife Holder Slide Bracket Shaft Collar Set Screw, for 206232
201287D	13592	Cord Rotating Sector Hinge Screw (eccentric)
201288D	13588	Thread and Cord (upper) Cutting Blade Connecting Rod Spring Collar Set Screw, for 39865
201289C	13588	Thread and Cord (upper) Cutting Blade Connecting Rod Latch Hinge Screw
201290D	13592	Thread and Cord Cutter Actuating Slide Ratchet Pawl Hinge Screw
201291B	13588	Thread and Cord (upper) Cutting Blade Connecting Rod Spring Bracket Screw
201292C	13589	Thread and Cord Cutter Actuating Slide Operating Disc Stud, for 39870
201293C	13592	Thread and Cord Cutter Actuating Slide Stud
201295E	13592	Thread and Cord Cutter Actuating Slide Spring Screw Stud
201296D	13588	Thread and Cord (upper) Cutting Blade Connecting Rod Latch Hinge Bracket Screw
201298C	17904	Knife Grinder Knife Holder Slide Bracket Adjusting Screw, for 39898
201321C	13592	Cord Rotating Sector Adjustable Catch Notch Gib Screw, for 39856
201510D	17904	Knife Grinder Emery Wheel Driving Shaft Nut, for 39898
201655J	17938	Bed Frame Splash Guard Locking Screw Wing Nut, for 39911
201696H	13599	Thread Unwinder Thread Guide Lock Nut, for 259377
201703E	13592	Thread and Cord Cutter Actuating Slide Stud Nut
201724A	13590	Feed Wheel Driving Lever Regulating Stud Thumb Nut, for 249560

NUMERICAL LIST OF PARTS

No.	Plate	Name
201897	13590	Feed Wheel Clutch Roller, for 249562
202277	17891	" Connecting Rod (upper) Oil Packing (wick), for 23408
202330	17931	Stop Cam Oil Packing (wick), for 39628
203094	17904	Knife Grinder Knife Holder Indicator Position Pin, for 39898
203100	18235	Belt Idler Pulley Shaft Oil Packing (wick), for 228326
204101	17904	Knife Grinder Emery Wheel Driving Shaft Nut Washer, for 39898
204264	17904	Knife Grinder Knife Holding Spring Bracket Position Pin, for 39898
204264	17904	Knife Grinder Knife Holding Spring Position Pin, for 39898
206232	17904	Knife Grinder Knife Holder Slide Bracket Shaft Collar with 201052C, for 39898
206963	17904	Knife Grinder Emery Wheel Driving Shaft Pulley with two 200403C, for 39898
206969	17904	Knife Grinder Emery Wheel Washer (paper), for 39898
213949	17889	Barring Lever Catch Spring Screw Washer
213949	13592	Cord Rotating Sector Hinge Screw Washer
225322	13599	Thread Unwinder Thread Guide Rod Washer, for 225324
225324	13599	Thread Unwinder Thread Guide Rod with 208AL and 225322, for 259377
225326	13599	Thread Unwinder Thread Guide Position Cup, for 259377
225377	13599	Spool Wire, for small spools
225388	13599	Thread Unwinder Spool Rest Rod, for 259377
225390	13599	Thread Cone Holder
225391	13599	" Unwinder Thread Guide, for 259377
228320	18235	Bed Frame Cushion (felt), for 228354 and 228355
228321	18235	Belt Idler Belt Guide with 3610, for 228328
228323	18235	Belt Idler Pulley Bracket with three 355C, for 228328
228324	18235	Belt Idler Pulley Bracket Shaft Hanger with two 355C and three wood screws 1 in., No. 12, for 228328
228326	18235	Belt Idler Pulley Shaft with 658AL and 203100, for 228328
228327	18235	Belt Idler Pulley Washer (rawhide), for 228328
		Nos. 228328 to 228331, for 228355
228328	18235	Belt Idler complete, Nos. 126910, 228324, two each 228321, 228323, 228326, 228423, four 228327 and Form A1127, also for 228354

NUMERICAL LIST OF PARTS

No.	Plate	Name
228329	17903	Clamp Lifting Chain, 34 in. long with 39575 and 39576 (for left hand machine)
228330	18235	Clamp Lifting Chain, 46 in. long with 39575 and 39576, also for 228354
228331	17903	Front Plank Extension with two wood screws 2-1/2 in., No. 14
228332	17903	Knee Starting Rock Shaft Connecting Rod, for 228339
228333	17903	Knee Starting Rock Shaft Connection Cushion Spring, for 228335
228333	18235	Starting Chain Cushion Spring, for 228349
228334	17903	Knee Starting Rock Shaft Connection Spring, for 228335
228335	17903	Knee Starting Rock Shaft Connection complete, Nos. 39575, 39576, 228333 and 228334, for 228339
228337	17903	Knee Starting Rock Shaft Position Spring, for 228339
228338	17903	Knee Starting Rock Shaft Position Spring Adjusting Collar with 4540, for 228339
228339	17903	Knee Starting Rock Shaft complete, Nos. 1507R, 2770, 6336, 6337, 39810, 150668, 228332, 228335, 228337, 228338 and two 21327, for 228355
228347	18235	Starting Chain (lower) 10-1/2 in. long, for 228349
228348	18235	Starting Chain (upper) 22 in. long, for 228349
228349	18235	Starting Chain complete, Nos. 228333, 228347, 228348, two each 39575 and 39576, for 228354
228354	18235	Driving Equipment less shaft pulley complete, Nos. 228328, 228330, 228349, 234344, 250408, two each 14376, 23551, four each 228320 and 236850
228355	17903	Driving Equipment less shaft pulley complete, Nos. 228329 to 228331, 250408, two 14376, 23551, 228328, 228339, 236850, eight 228320 and two blue prints
228423	18235	Belt Idler Pulley, for 228328
232982	18235	Machine Rest Cushion (leather), for 250408
234344	18235	Front Plank Extension (front) with two wood screws 2-1/4 in., No. 12 and three wood screws 1-3/4 in., No. 12, for 228354
236849	18235	Clamp Lifting Chain Guide Pulley Bracket, for 236850
236850	18235	Clamp Lifting Chain Guide Pulley Bracket complete, Nos. 1064D, 39571, 236849 and two wood screws 1-1/4 in., No. 12, R.H.B., for 228354 and 228355

NUMERICAL LIST OF PARTS

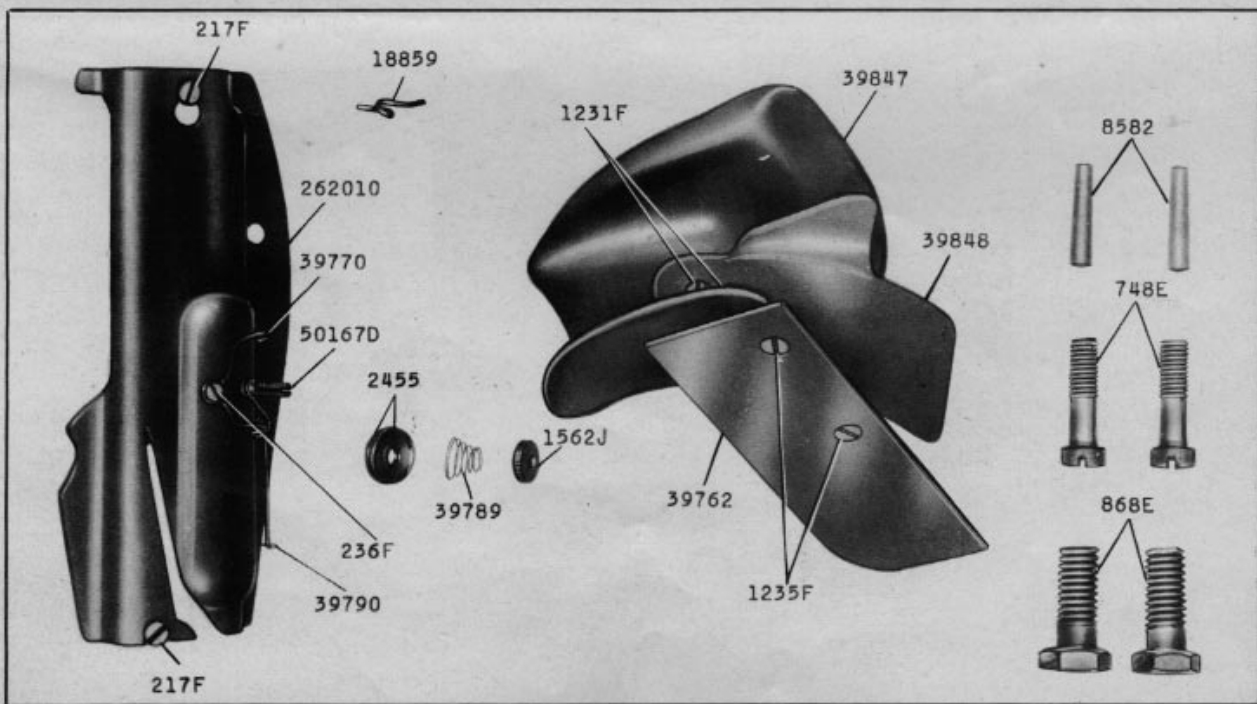
No.	Plate	Name
249529	13592	Thread and Cord Cutter Actuating Slide Ratchet
249530	13592	Thread and Cord Cutter Actuating Slide Wheel
*249538	-----	Pulley (loose) with 200584D, for 249540
249539	17931	" " Bushing, for 249540
249540	17931	Pulley (loose, ball bearing) complete, Nos. 249538, 249539 and 249891
249541	17931	Pulley (tight) Counterbalance, for 249543
249542	17931	Pulley (tight) Counterbalance Rivet, for 249543
249543	17931	Stop Cam Spring Cover with 249541, two each 9780 and 249542
249544	13591	Knife Bar Stop
249545	13591	" " " Retainer Plate
249546	18200	Shuttle Bobbin Case Position Plate, for 249929
		Nos. 249549 to 249551, for 249562
249549	13590	Feed Wheel Clutch Roller Carrier
249550	13590	" " " " " Oiling Felt
249551	13590	Feed Wheel Driving Lever
		Nos. 249556 to 249559, for 249560
249555	13590	Feed Wheel Clutch Disc, for 249562
249556	13590	" " " " Locking Plate with 350415C
249557	13590	Feed Wheel Driving Lever Plate
249558	13590	" " " " Washer (felt)
249559	13590	" " Retaining Clutch
249560	-----	Feed Wheel Clutch (positive) complete, for machines equipped with spring clutch, Nos. 520, 201724A, 249556 to 249559, 249561, 249562, 249820 and Form 2461W
249561	13590	Feed Wheel Driving Lever Pitman with 23429, 50088C and two 196E, for 249560
249562	13590	Feed Wheel Clutch Disc 249555 with 249549 to 249551, three each 185H, 201897, 255096 and 255097, for 249560
249656	13591	Knife Bar Disengaging Lever with 1242E
249737	13591	" " Spring
249820	13597	Wrench, for 350415
249845	13587	Thread (lower) Pull-off Finger
249891	17931	Pulley (loose) Ball Bearing, for 249540
249924	18200	Shuttle Race, for 249929
		Nos. 249926 to 249928, for 249929
249926	18200	Shuttle Race Plate
249927	18200	" " Position Pin
249928	18200	" " Oil Packing (wick)
249929	18200	Shuttle Race complete, Nos. 907E, 2533, 7326, 39969, 249546, 249924, 249926, two each 399D, 862D, 2532, 249927, 249928 and three 203E

NUMERICAL LIST OF PARTS

250408	18235	Machine Rest (high) with 232982 and two wood screws 1 in., No. 12, for 228354 and 228355
255096	13590	Feed Wheel Clutch Roller Spring, for 249562
255097	13590	Feed Wheel Clutch Roller Spring Guide, for 249562
255513	13597	Tweezers
		Nos. 259370 to 259372, for 259373
259370	13599	Thread Unwinder Spool Pin
259371	13599	" " " " Cap (bake-lite)
259372	13599	Thread Unwinder Spool Pin Washer
		Nos. 259373 to 259375, for 259377
259373	13599	Thread Unwinder Spool Pin complete, Nos. 1010F and 259370 to 259372
259374	13599	Thread Unwinder Spool Rest (for one spool) (flat), with 201018C
259375	13599	Thread Unwinder Spool Rest (for two spools) (flat), with 201018C
259377	13599	Thread Unwinder (for three spools) complete, Nos. 201696H, 225324, 225326, 225388, 259374, 259375, 259658, three each 150203, 225391, 259373 and wood screws 7/8 in., No. 12
259658	13599	Thread Unwinder Spool Stand with 200383C, for 259377
262010	13585	Face Plate
350067E	13592	Cord Leading Finger (lower) Screw, for 39905
350068E	17904	Knife Grinder Emery Wheel Driving Shaft Oil Hole Cover Screw, for 39898
350076C	13589	Clamp Carrier Regulator Stud (to regulate length of buttonhole)
350237C	13590	Feed Wheel Tripping Lever Hinge Screw
350281C	13591	Knife Bar Driving Lever Hinge Screw
350415C	13590	Feed Wheel Clutch Disc Locking Plate Screw, for 249556

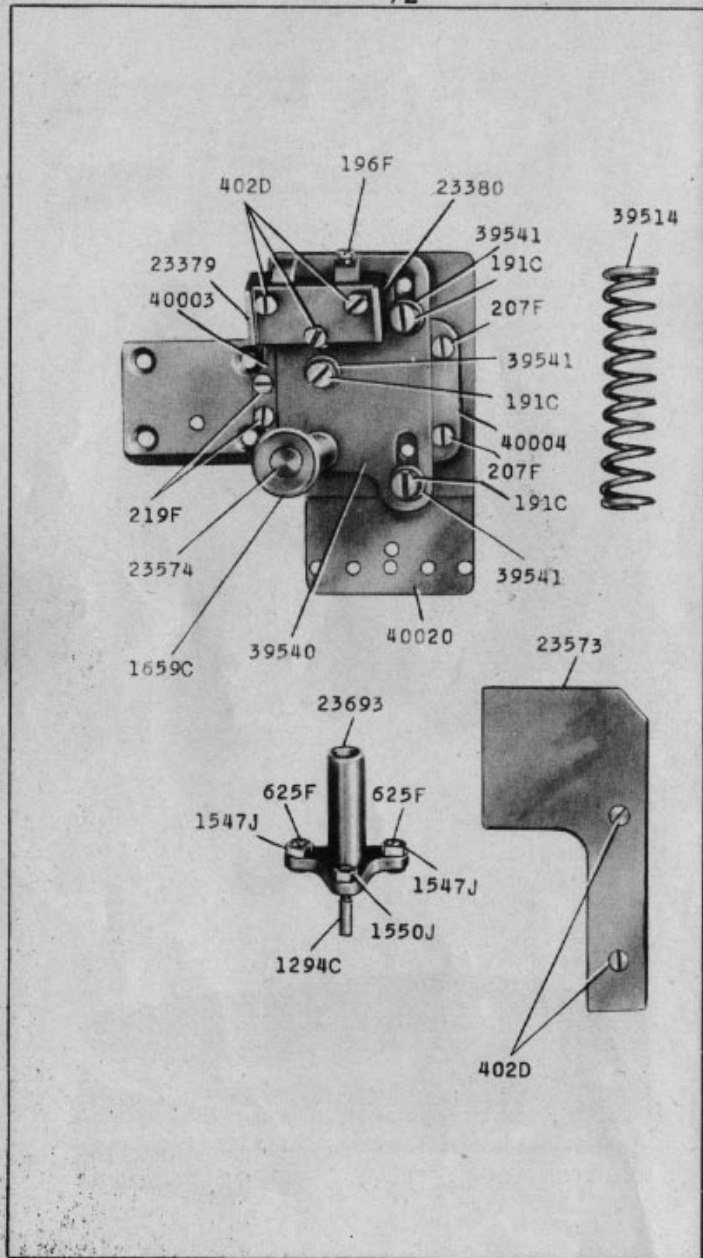
SINGER Needles should be used
in **SINGER** Machines
These Needles and their Containers
are marked with the
Company's Trade Mark "SIMANCO."** 1

Needles in Containers marked
"FOR SINGER MACHINES"
are NOT **SINGER** made needles. 2

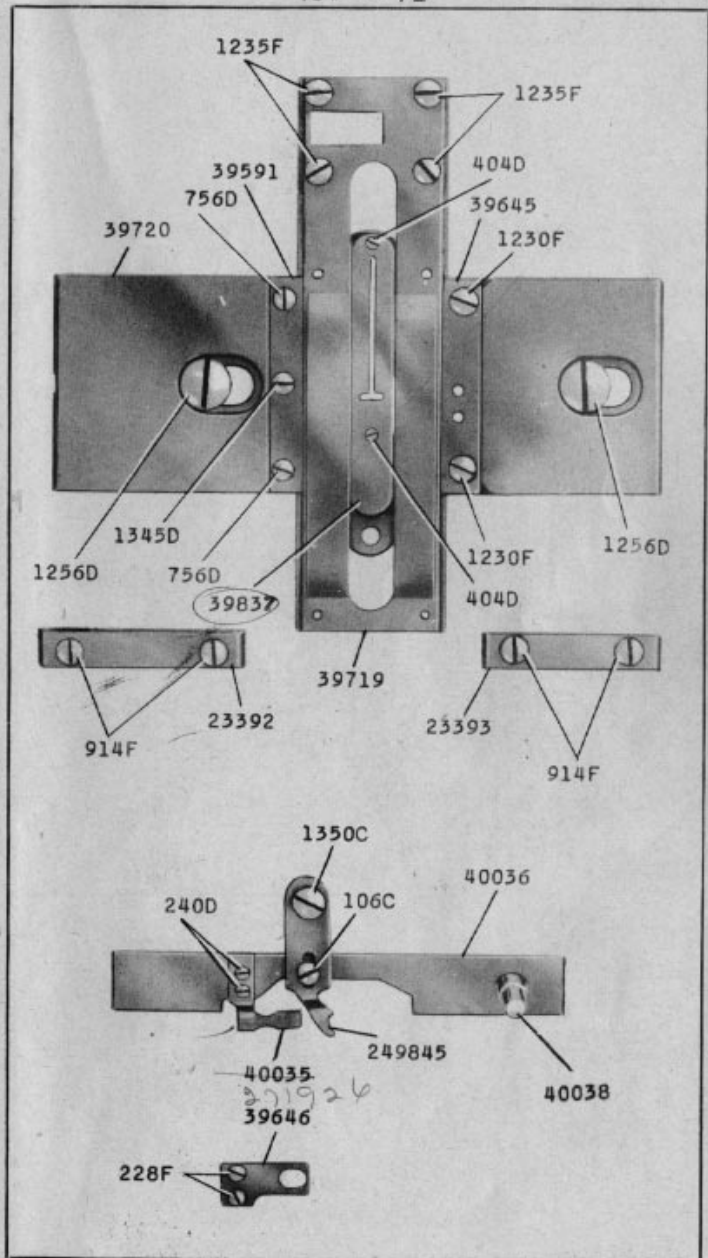


13585-1/2

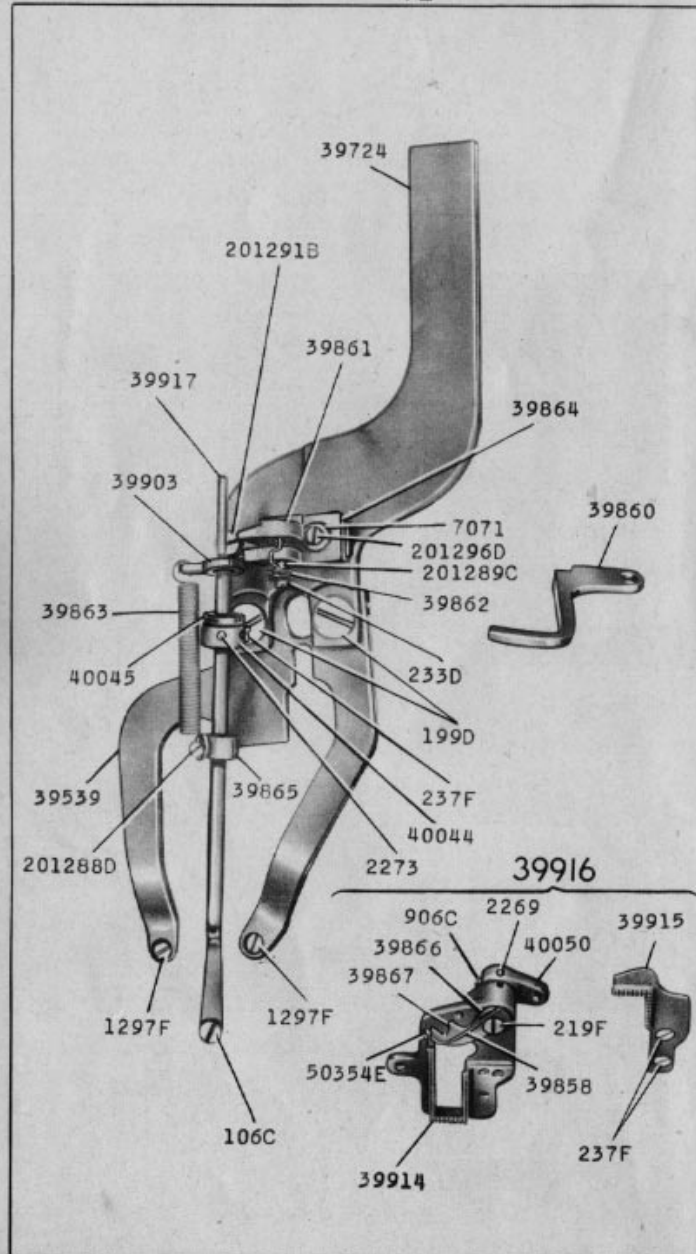
13586-1/2

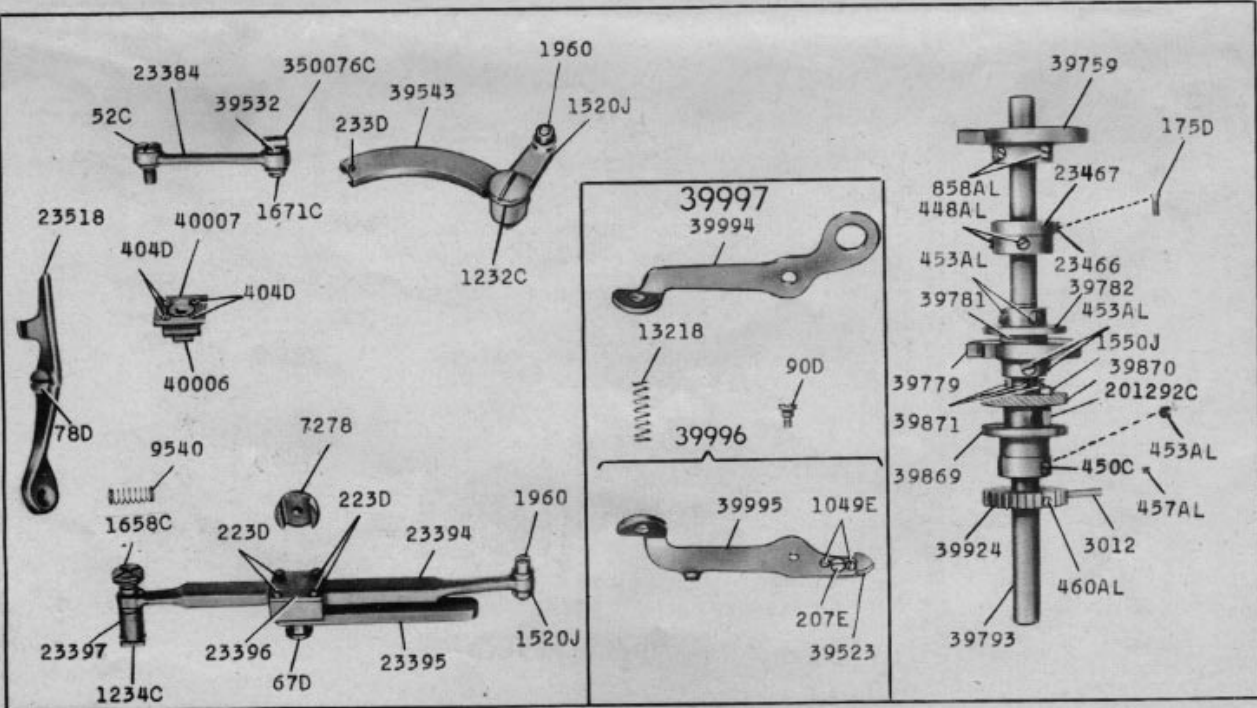


13587-1/2

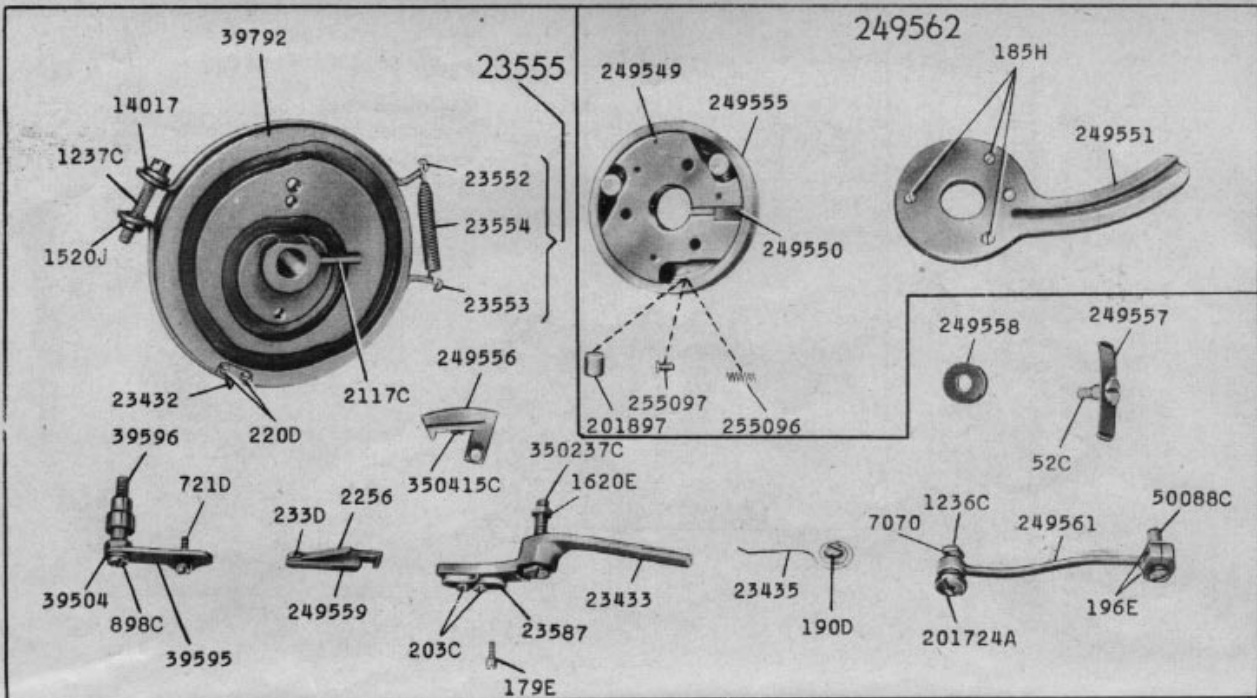


13588-1/2

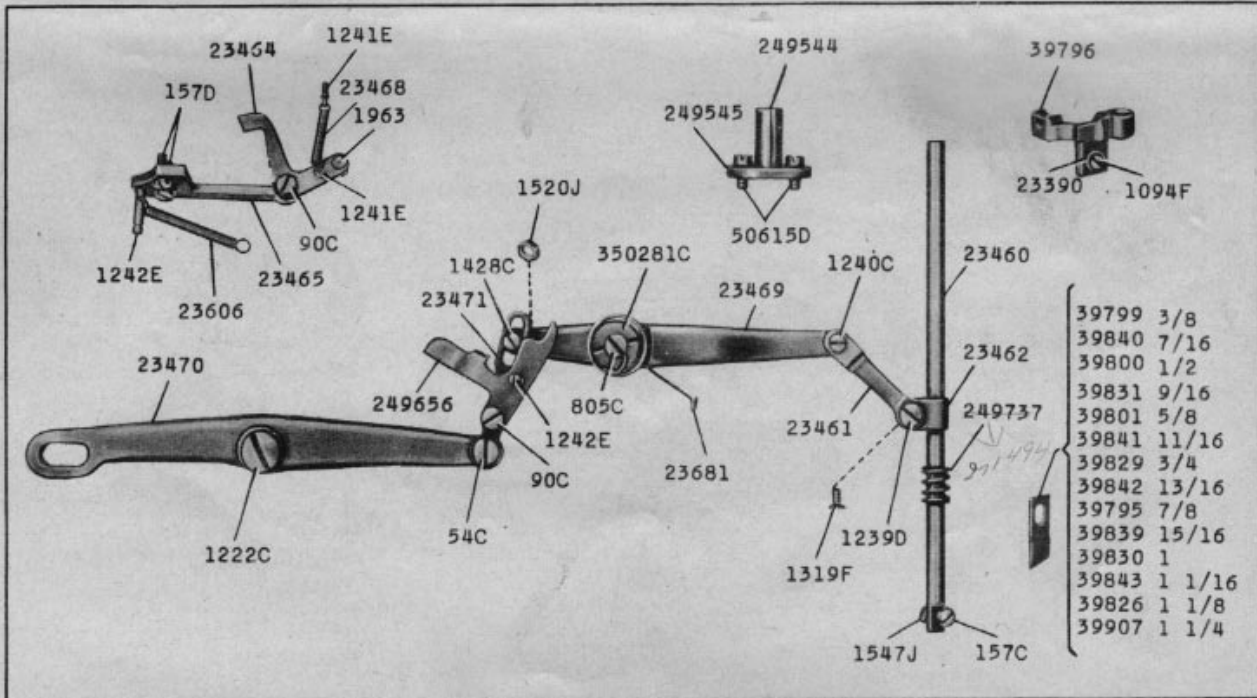




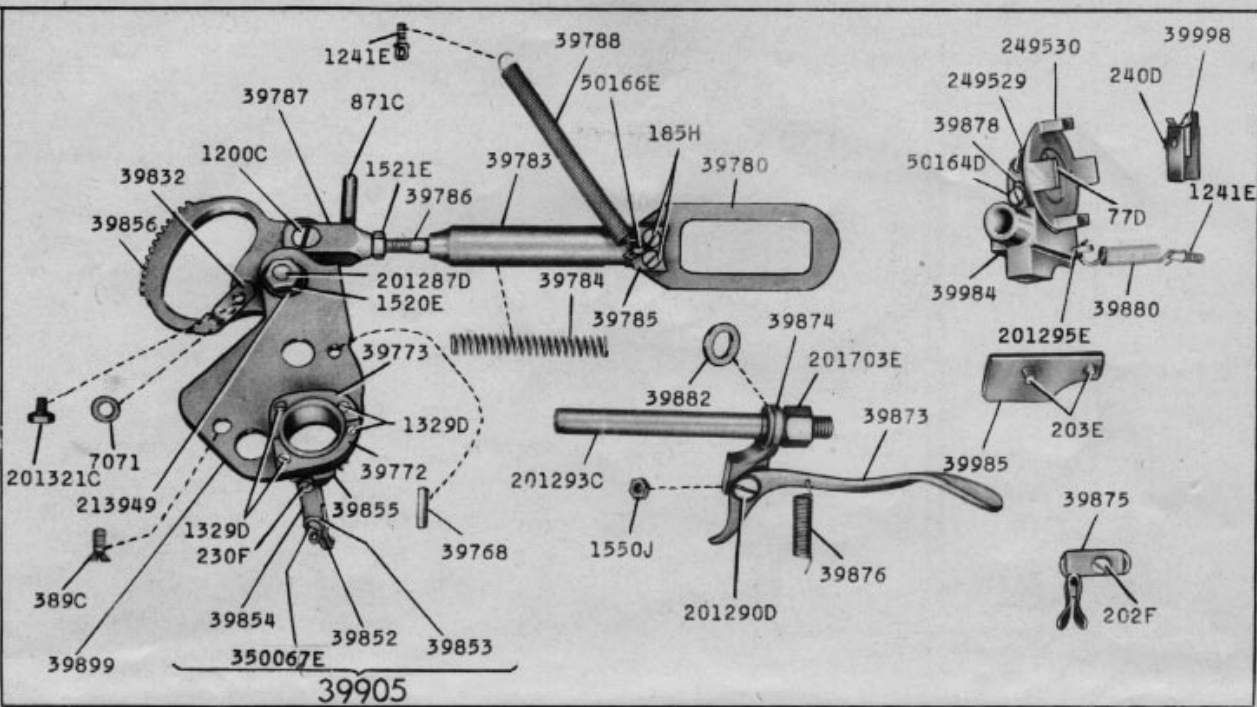
13589-1/2



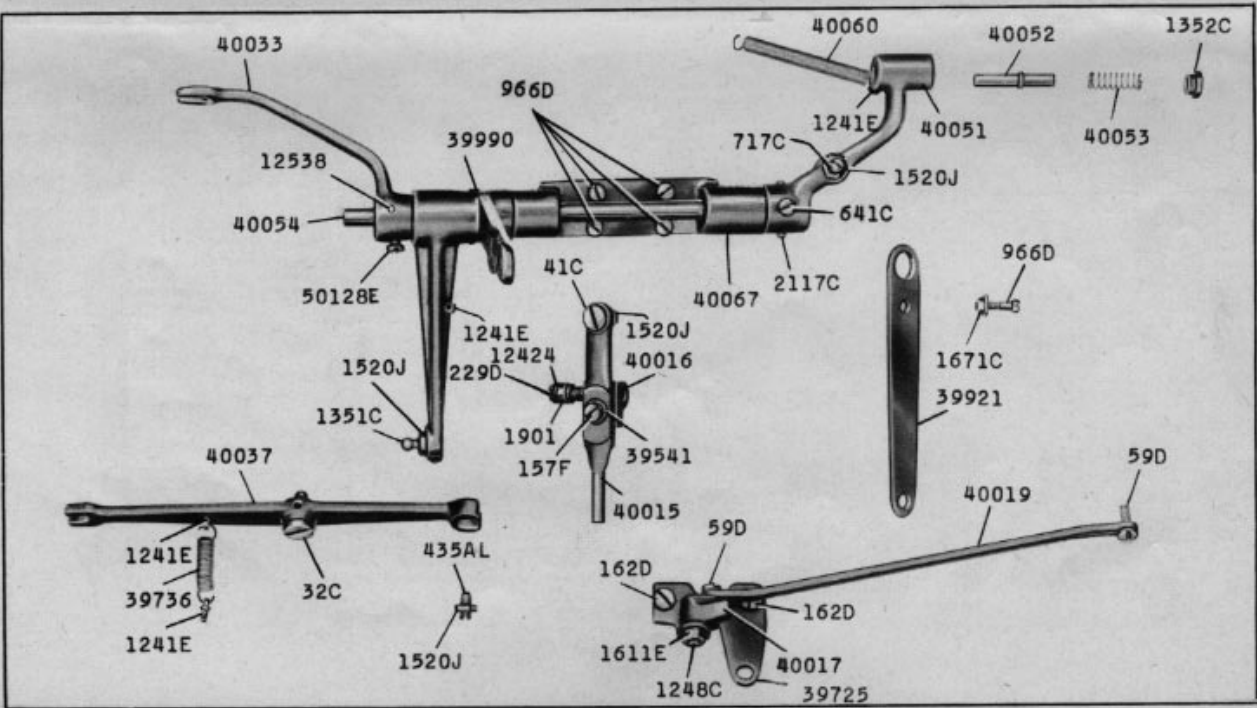
13590-1/3



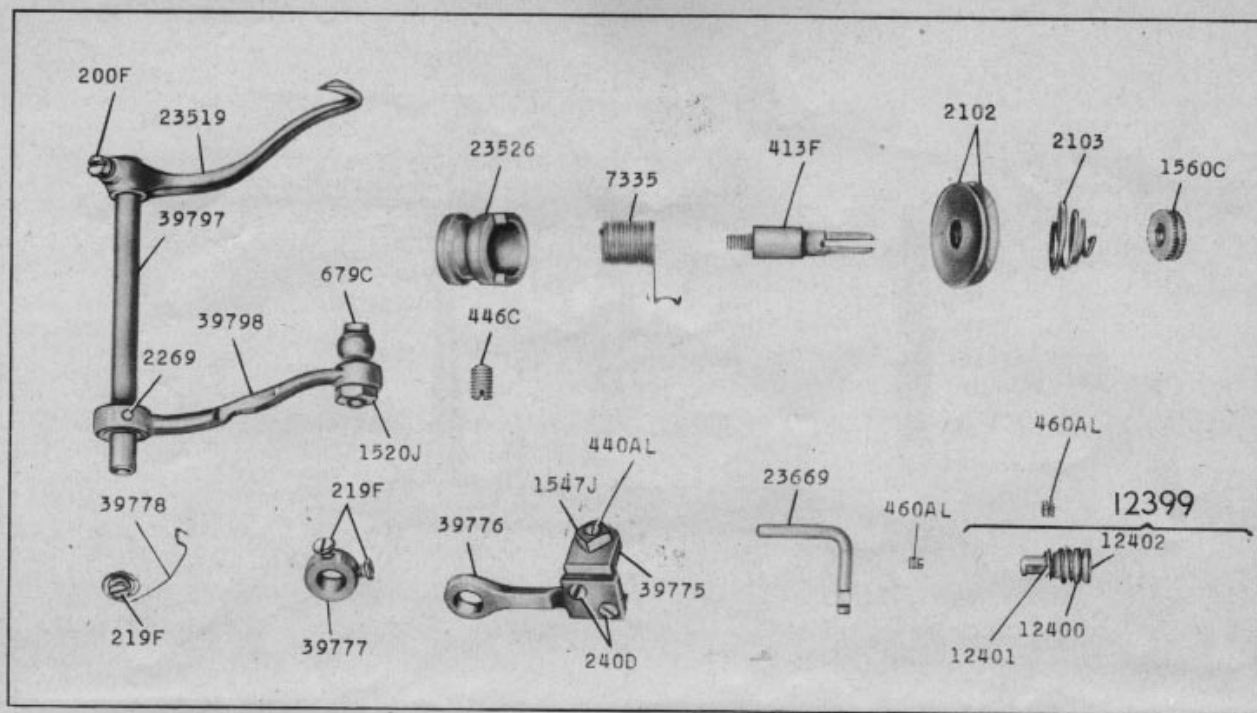
13591-1/3



13592-1/2

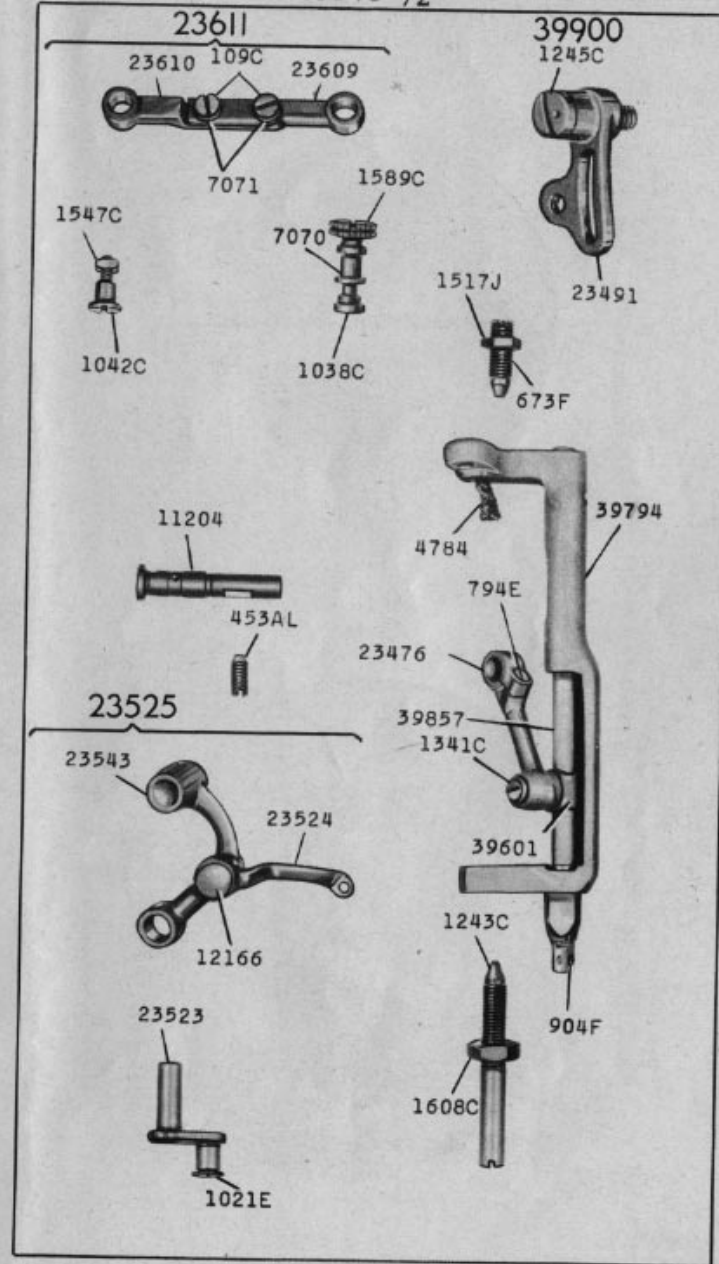


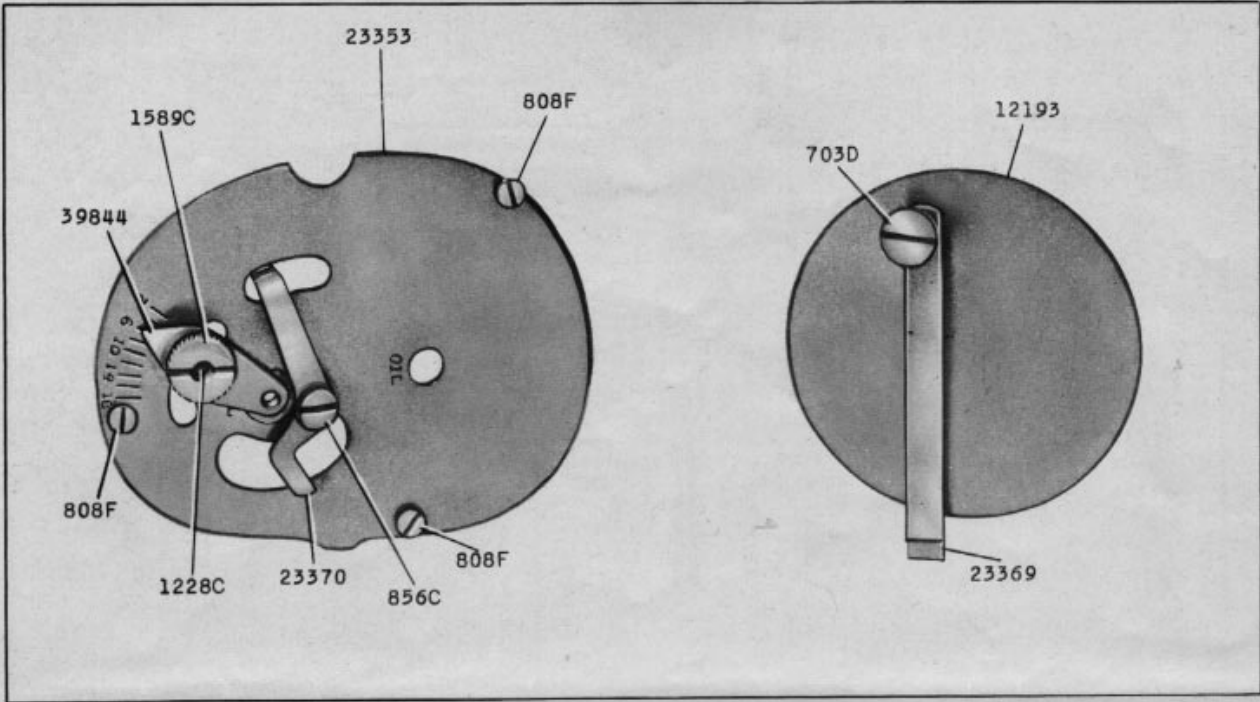
13593-1/3



13594-5/8

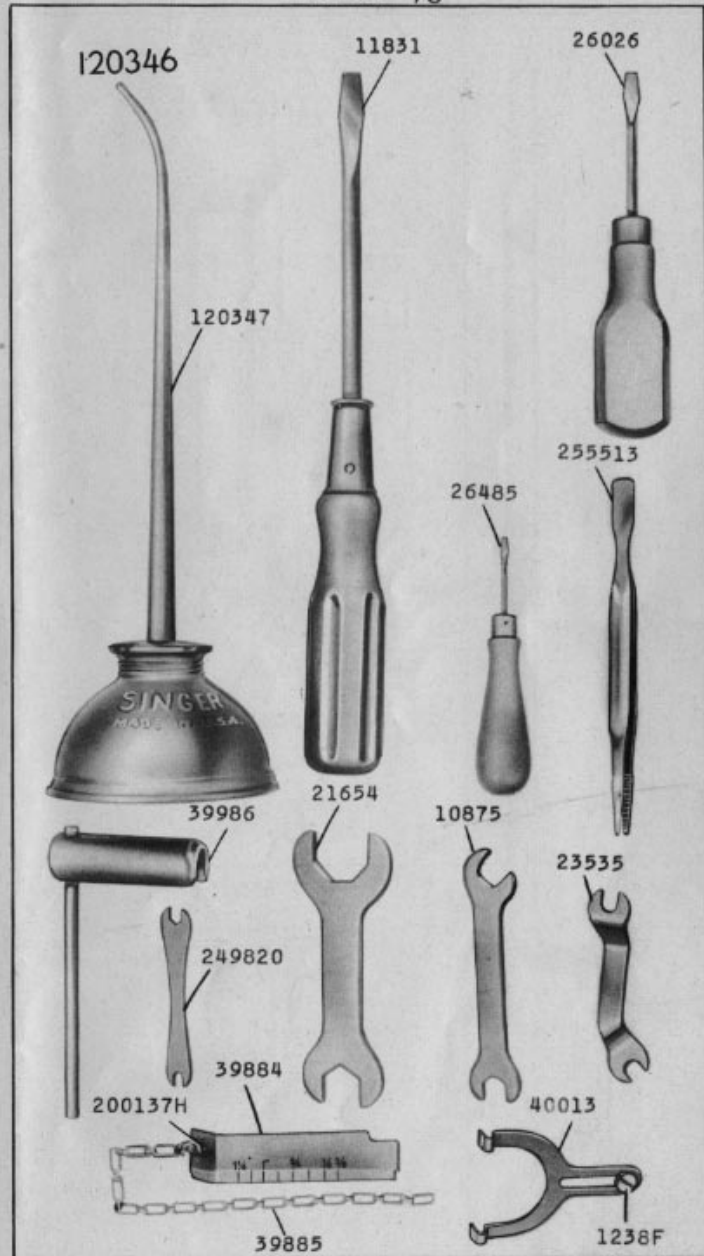
13595 1/2



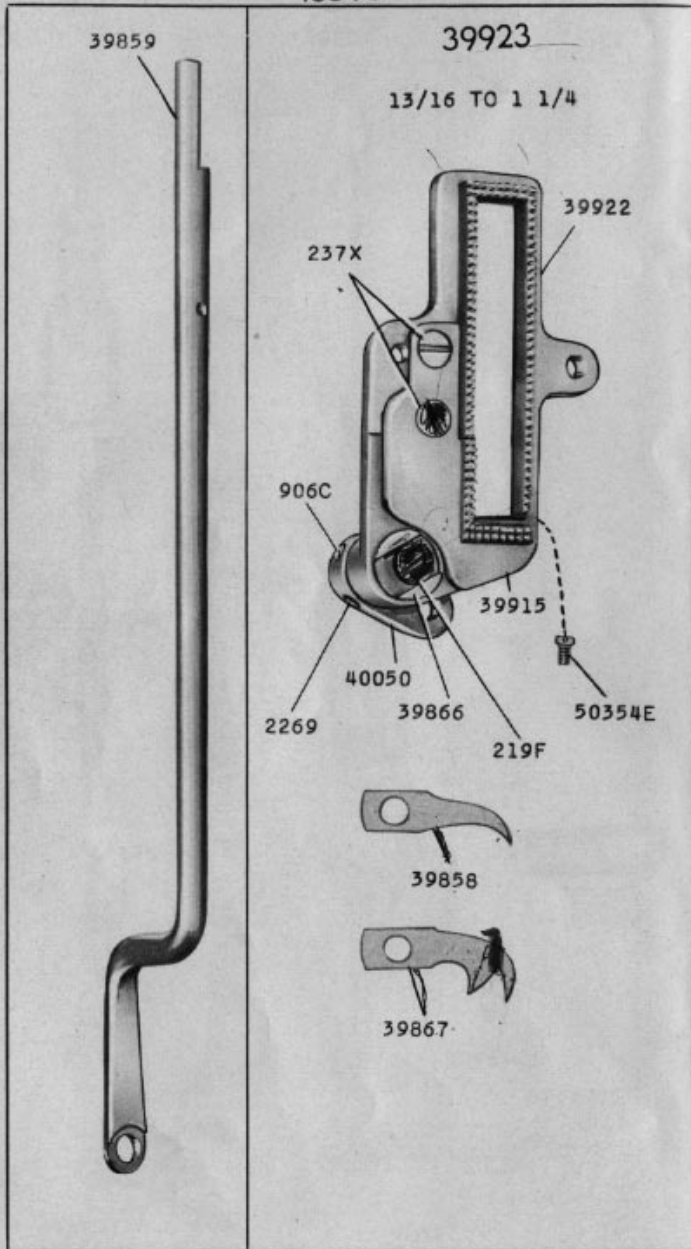


13596 5/8

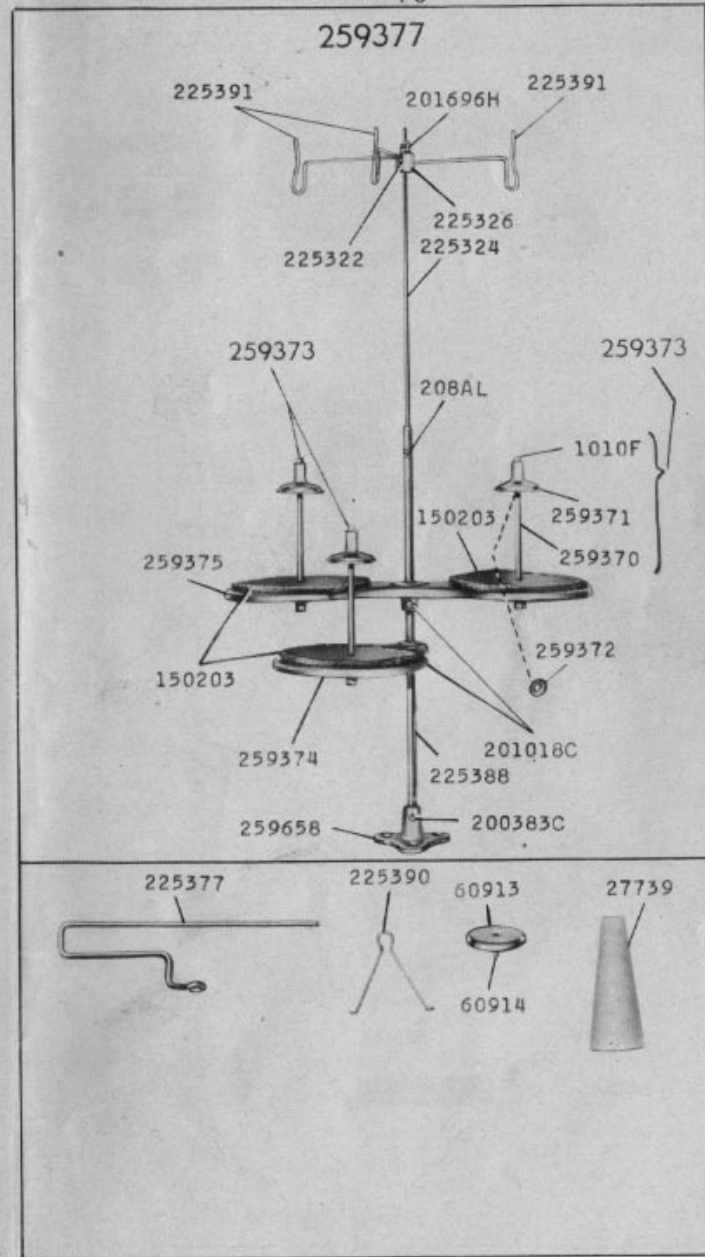
13597 3/8



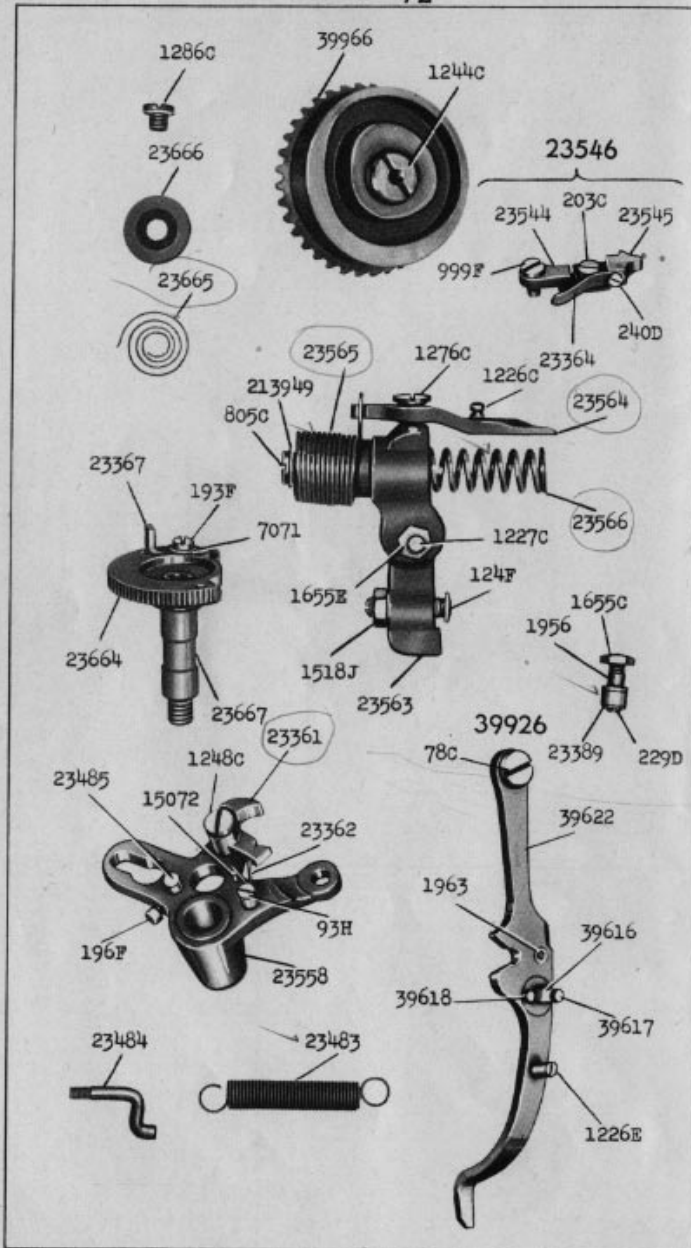
13598



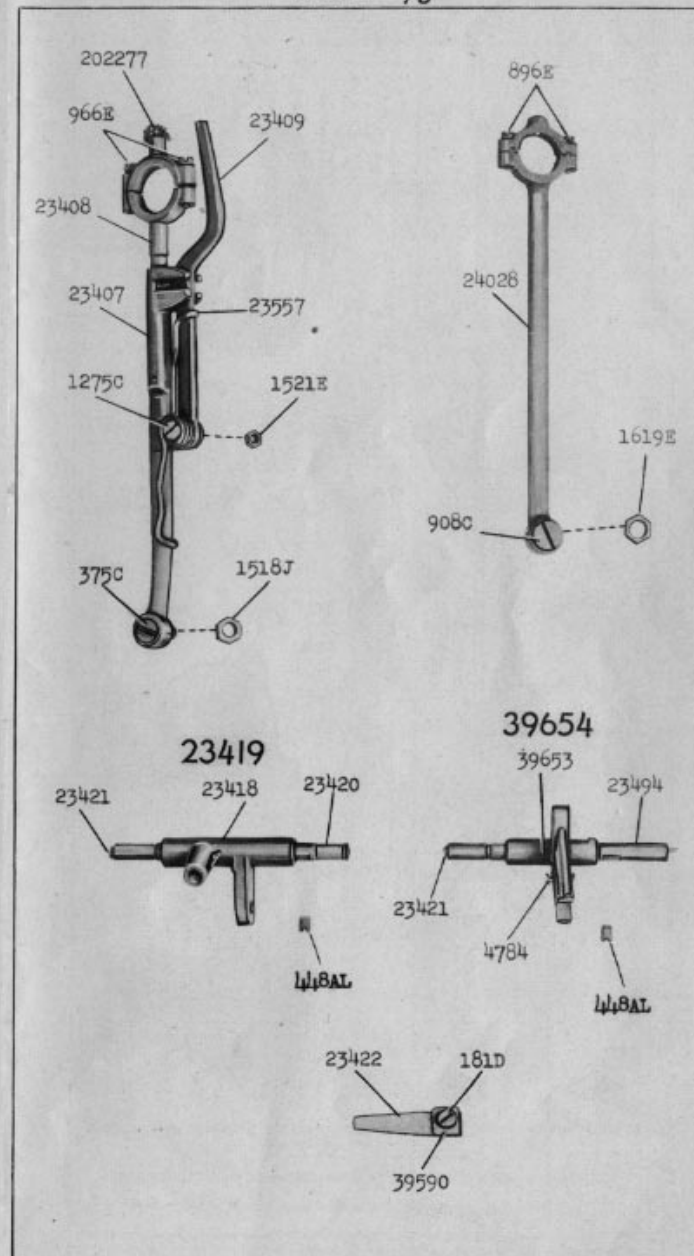
13599-1/6



17889 - 1/2

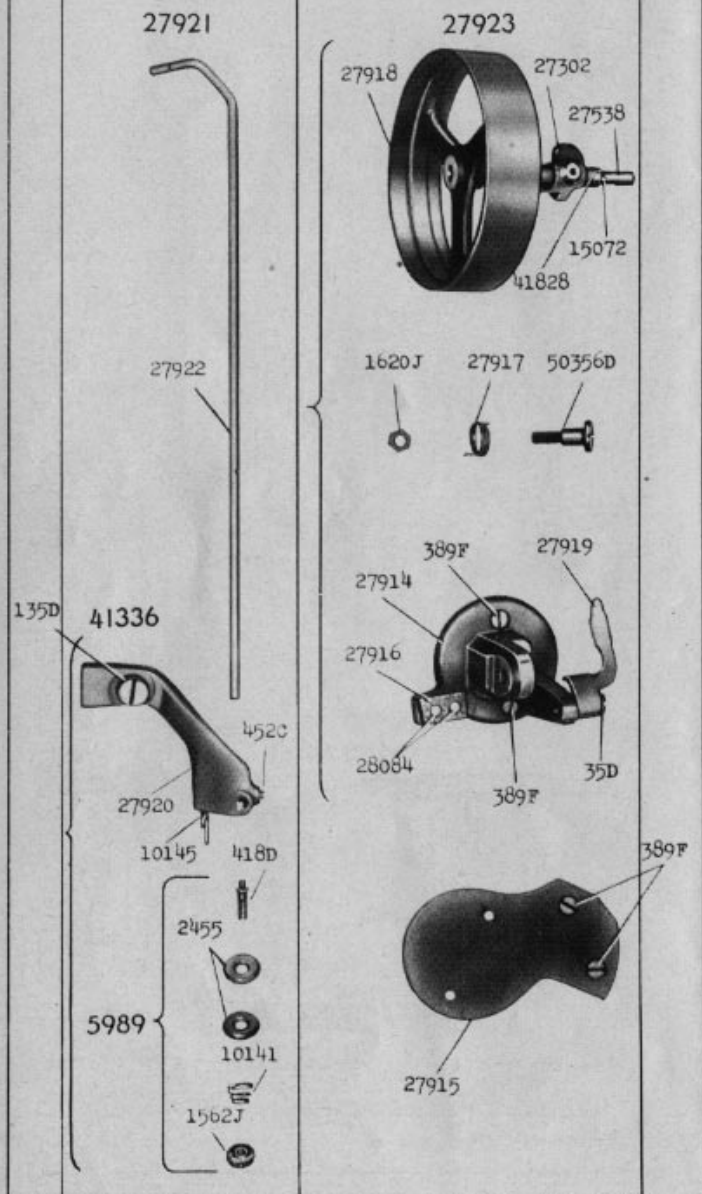


17891 - 1/3



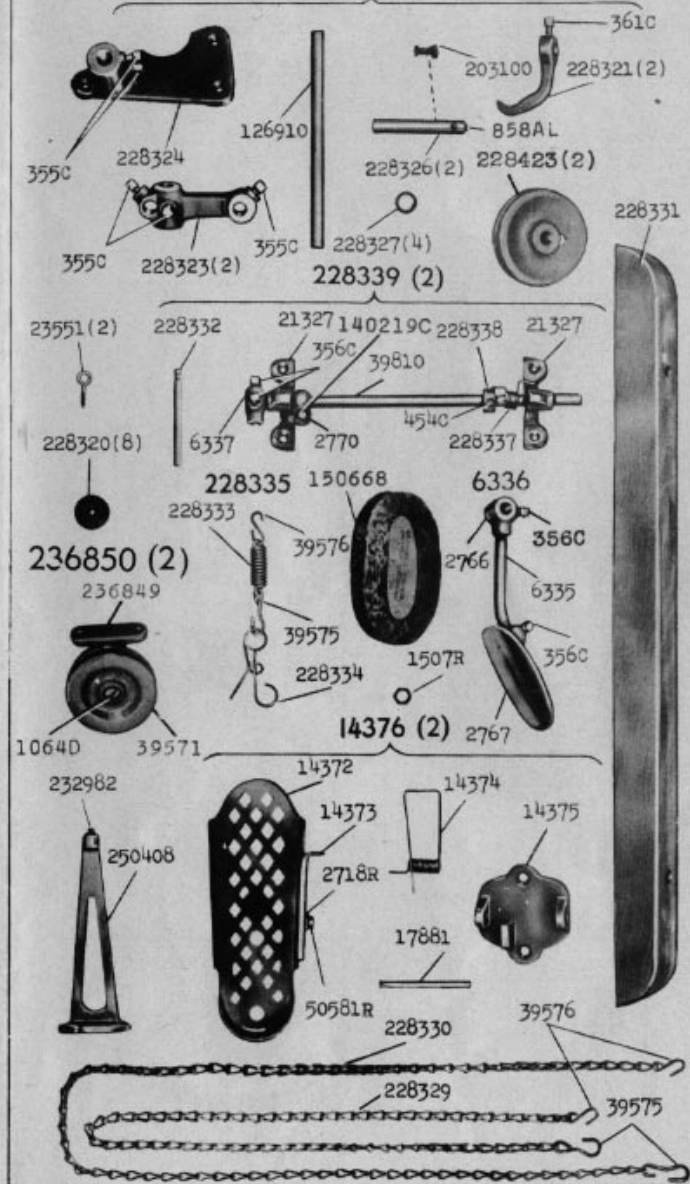
17897 - 1/3

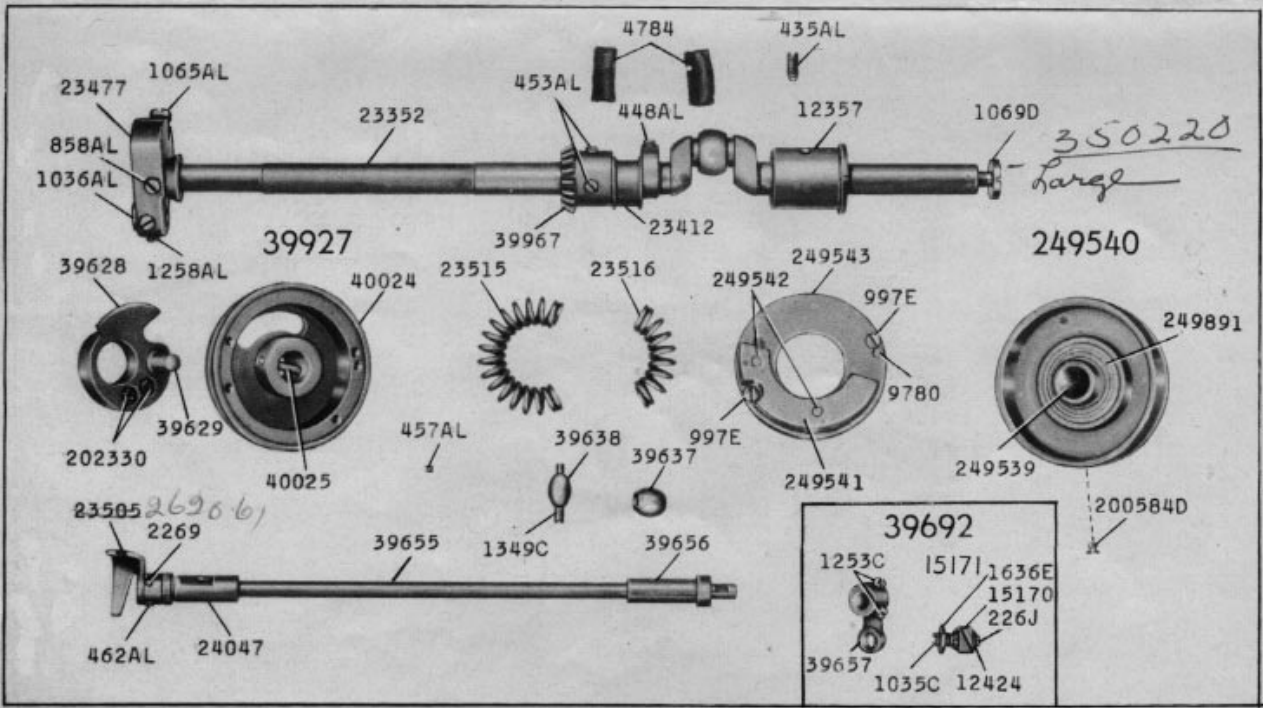
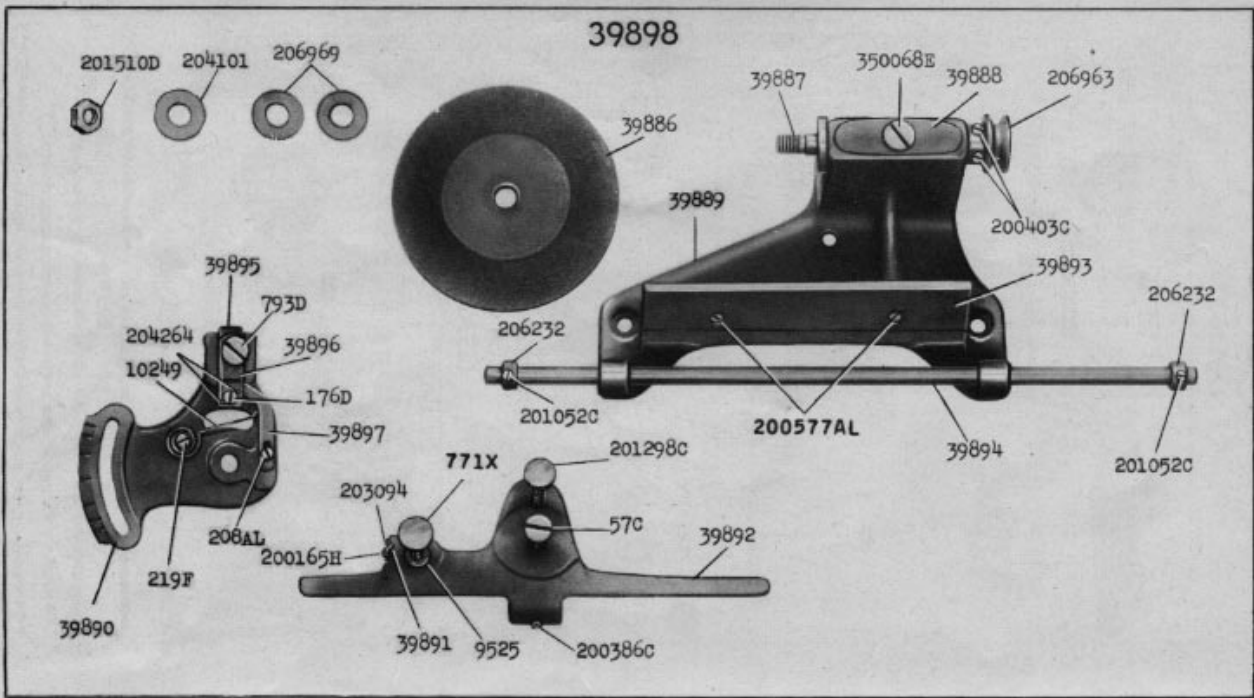
27924



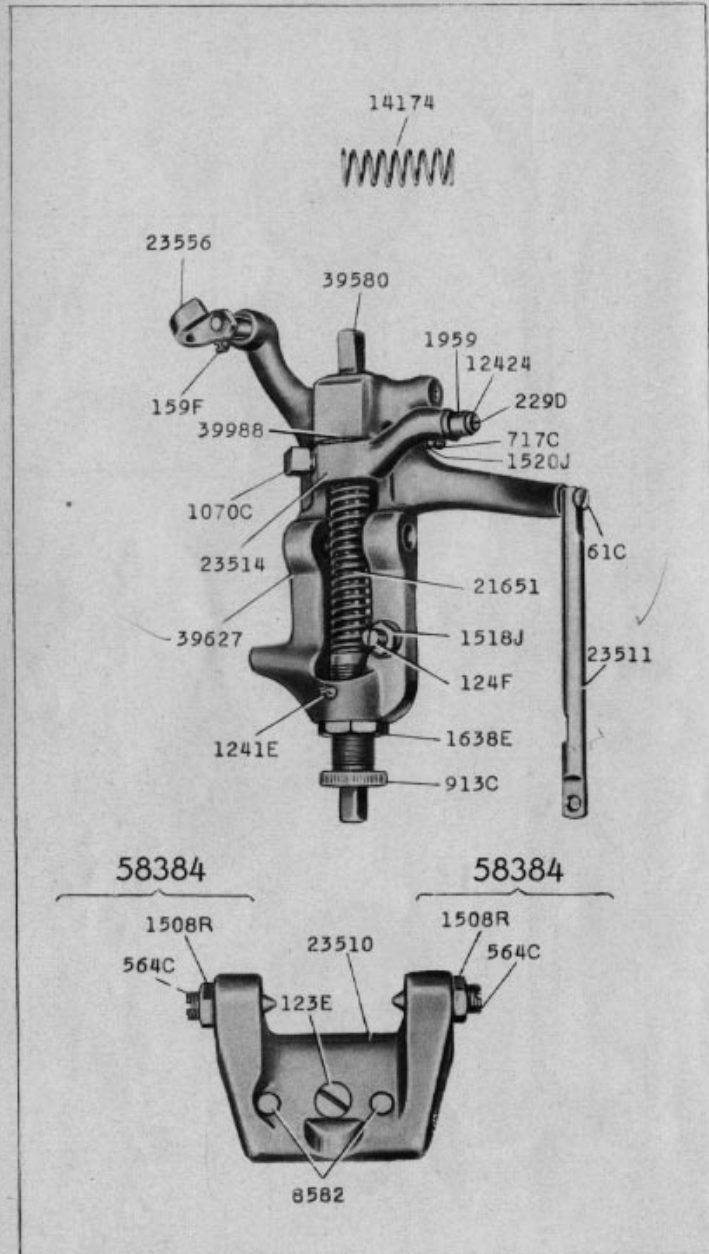
17903 - 1/6

228355
228328 (2)

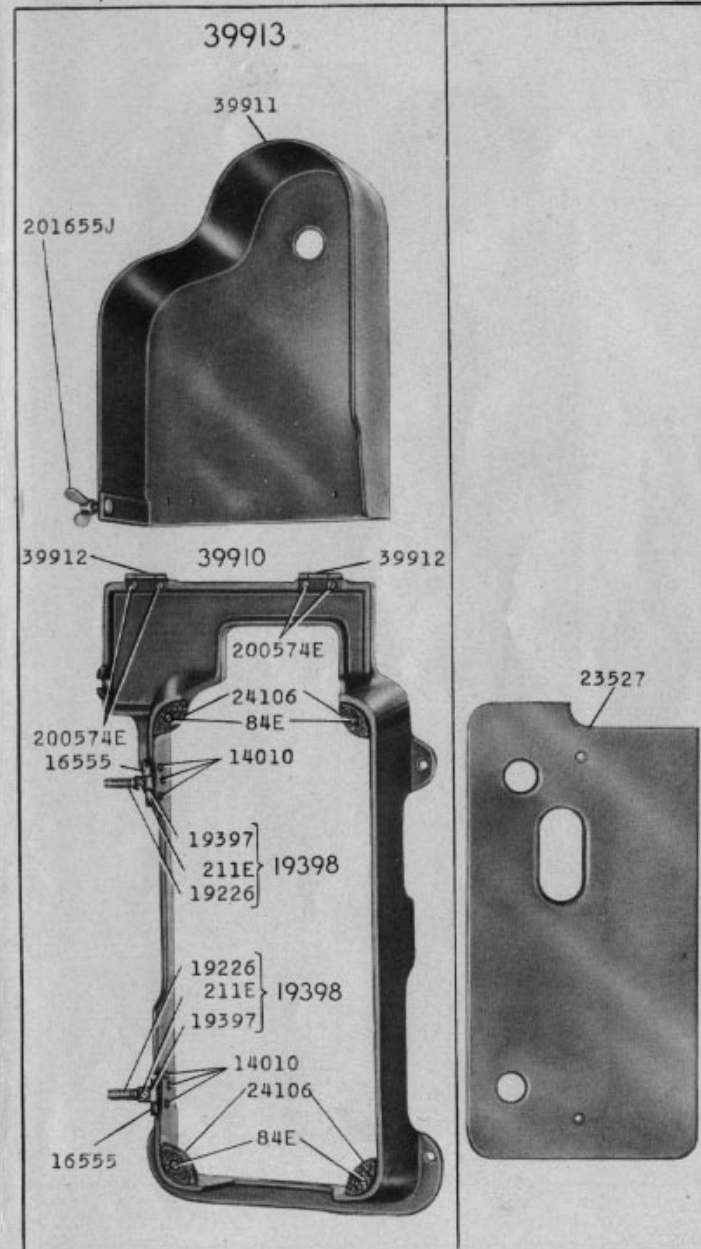




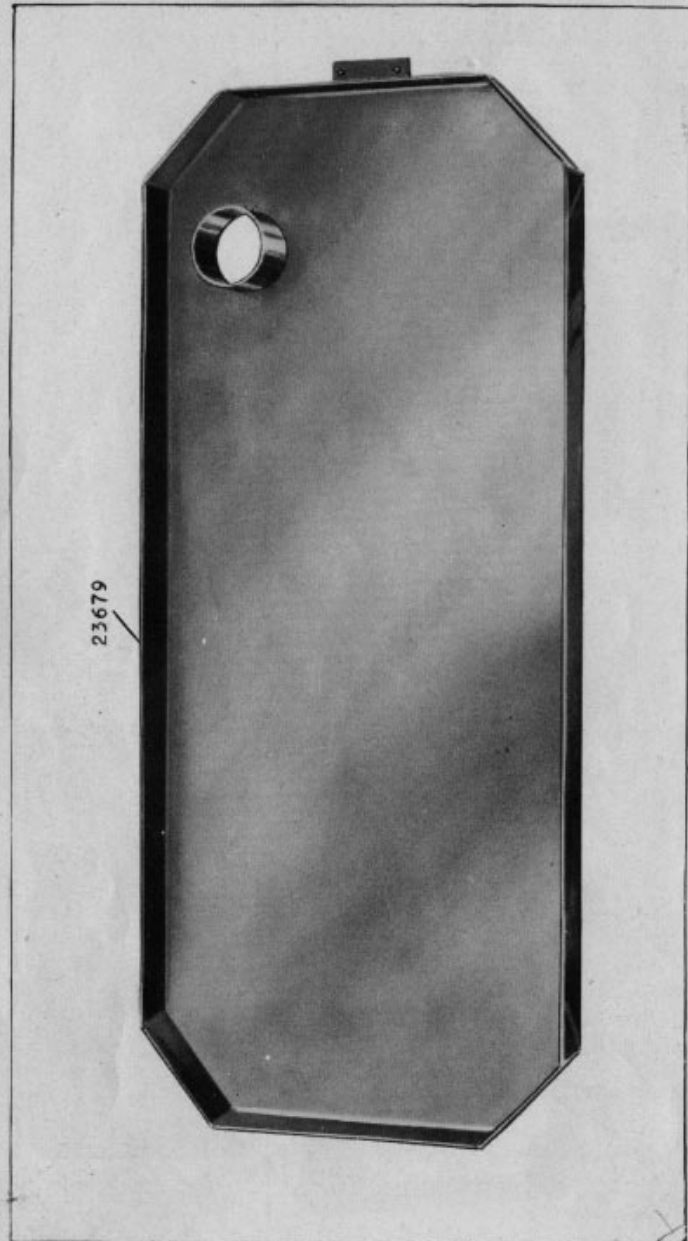
17932 - 1/3



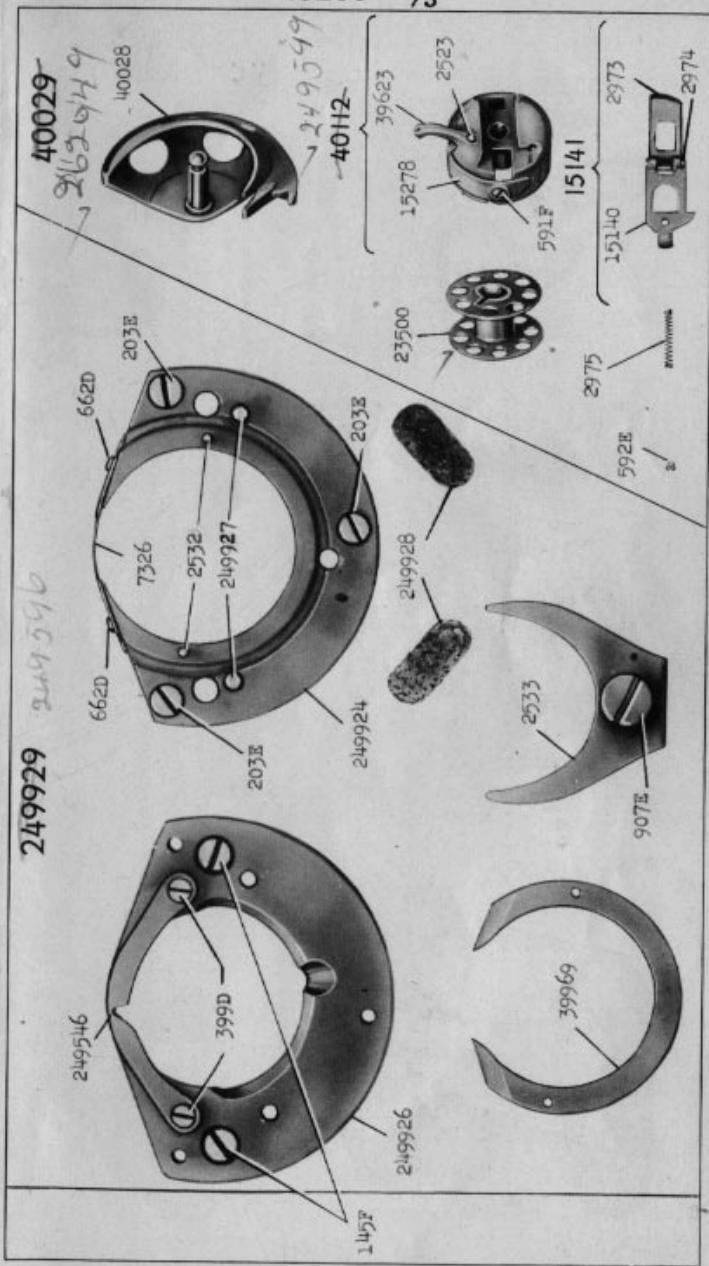
17938 - 1/6



17941 3/8



18200 - 2/3



18235 - 1/4

228354

