

HISTORICAL COPY

Form 2418w  
(736)

PRINTED IN U. S. DO NOT REMOVE

LIST  
OF  
PARTS



MACHINE No. 71-113

---

THE SINGER MANUFACTURING COMPANY

Copyright, U. S. A., 1916, 1932, 1934, 1935 and 1936  
by The Singer Manufacturing Co.  
All Rights Reserved for all Countries

## INDEX

---

	Page
Accessories .....	24
Bobbin Winder .....	25
Iron Base .....	25
Knife Grinder .....	28
Machine No. 71-113 .....	5
Miscellaneous Parts .....	29
Numerical List of Parts .....	31
Table Belt Guides .....	26
Thread Unwinder .....	26
Treadle .....	27

## INSTRUCTIONS FOR ORDERING

In ordering from this list, use ONLY the PART number in the FIRST column.

The number stamped on a Sewing Machine Part is the number of the Single Part only, except when the part includes Set Screws, Clamping Screws, Studs and Rollers Spun on, Small Wires riveted, or Parts soldered together, etc., which it is necessary to furnish in combination.

Every combination of parts sent out has its specific number which, although not stamped on Parts (except in above cases) must be used when ordering the combination.

Each number always indicates the SAME PART in whatever list it appears, or for whatever Machine.

The letters after some of the numbers indicate the style of finish only, as follows:

- A. Hardened, Polished and Plated.
- B. Polished and Plated.
- C. Hardened only.
- D. Polished only.
- E. Soft, not polished.
- F. Hardened and Polished.
- H. Blued.
- J. Nickel Plated only.
- R. Merilized.
- Y. Black Nickel Plated only.

These letters MUST BE USED when they appear in the list and AFTER the number, as in the list.

1 to 1500, 50001 to 51500, 200001 to 201500 and 350001 to 351500 are Screw Numbers.

1501 to 1800, 51501 to 51800, 201501 to 201800 and 351501 to 351800 are Nut Numbers.

1801 to 2000, 51801 to 52000, 201801 to 202000 and 351801 to 352000 are Roller Numbers.

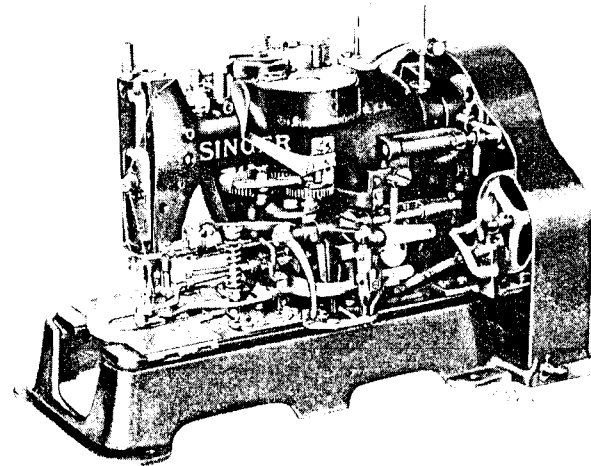
2001 to 50000, 52001 to 200000 and 202001 to 350000 are Numbers of Machine Parts.

The figures in the second column refer only to the plate in which the illustration of the part is shown and are NOT TO BE USED in ordering.

Two or more numbers over a cut indicate that the difference between such parts is not visible in an illustration.

Parts marked with an asterisk (\*) are furnished only when repairs are made at the factory.

## LIST OF PARTS COMPLETE FOR



### MACHINE No. 71-113

MAKES TOP CORDED BUTTONHOLES, WHIP STITCH, SQUARE BAR AT FIRST END AND TAPER BAR AT FINISHING END. LAYS A CORD ON THE TOP SIDE UNDER THE OVERSEAMING STITCHES. KNIVES FROM 3/8 TO 1/4 INCH LONG. CUTS THE UNDER THREAD AND THE HOLE AUTOMATICALLY AFTER STITCHING. HAS DEVICE TO HOLD AND SEVER THE NEEDLE THREAD AND CORD.

No.	Plate	Name
*262001	-----	Arm with 24081
8582	14950	" Dowel Pin (2)
748E	14950	" Screw (back)(2)
868E	14950	" " (front)(2)
249602	14951	" Shaft
*24081	-----	" " Bushing (front)
202260	-----	" " " Oil Packing (wick)(2)
200502B	14950	" " " " " Thumb Screw
249622	14952	" " Flanged Bushing (back)
435C	14950	" " " " " Set Screw
350220 1289D	14950	" " Screw
39620	14952	" Side Cover
190D	14950	" " " Screw
249604	14951	" Top Cover (left)

No.	Plate	Name
249605	14951	Arm Top Cover (right)
190D	14950	" " " Screw (4)
249606	14952	Barring Lever
1478C	14982	" " Hinge Screw
249607	14982	" " Spring
1330C	14982	" " " Screw Stud
249804	14950	" Plate (2)
350229E	14982	" " Screw (2)
249610	14982	" Point
191C	14982	" " Screw
249611	14982	" Shaft with 452C
201713C	14950	" " Adjusting Lock Nut (2)
249612	14982	" " Guard
208D	4063	" " " Screw (2)
249613	14982	" Slide
249740	14982	" " Operating Plate (adjustable)
223D	14950	" " " " " Screw (2)
350253C	14982	Barring Slide Operating Plate Adjusting Screw
1607E	14982	Barring Slide Operating Plate Adjusting Screw Nut
249614	14982	Barring Slide Operating Plate (station- ary)
228D	14982	Barring Slide Operating Plate (station- ary) Screw (2)
249615	14982	Barring Slide Operating Rod
249616	14982	" " " " Stud
249619	14982	" " Stop
704E	14982	" " " Attaching Screw
898C	14950	" " " Screw (adjustable)
452C	14950	" " " " " Set Screw
*249620	-----	Bed
262002	14951	" Oil Guard with 249883
249883	14950	" " " Oil Tube (brass)
1235F	14950	" " " Screw
249853	14950	Belt Shifter with 350287C
249854	14950	" " Operating Collar with 350329C
350329C	14950	Belt Shifter Operating Collar Set Screw
249855	14950	" " " Rod
350287C	14953	" " " " Set Screw
350287C	14953	" " Set Screw
249856	14952	" " Shaft
249857	14952	" " " Bracket
249858	14952	" " " " Extension with 51047E
51047E	14953	Belt Shifter Shaft Bracket Extension Pinch Screw
158E	4024	Belt Shifter Shaft Bracket Extension Screw

No.	Plate	Name
350288C	14953	Belt Shifter Shaft Bracket Hinge Screw
23554	14950	" " " " " Spring
350338E	14953	" " " " " Screw Stud (lower)
350339E	14953	Belt Shifter Shaft Bracket Spring Screw Stud (upper)
249860	14953	Belt Shifter Shaft Bracket Stop
191D	14982	" " " " " Screw
249861	14953	" " " Guide Collar with 237F
2269	14950	Belt Shifter Shaft Guide Collar Position Pin
237F	14950	Belt Shifter Shaft Guide Collar Set Screw
249862	14950	Belt Shifter Shaft Spring
39882	14953	" " Stop Washer (rawhide)
249863	14953	" " Trip Point
756E	14950	" " " " " Screw
249864	14953	" " " Stud
161D	14953	Bobbin Winder Base Screw (2)
135D	14953	" " Tension Bracket Screw
39539Y	14951	Clamp Arm
625F	14953	" " Adjusting Screw (2)
1547J	14953	" " " " " Nut (2)
249955	14951	" " Bracket with 196F
40003Y	14987	" " " Guide (left)
219F	4083	" " " " " Screw
40004Y	14987	" " " " (right)
207F	14987	" " " " " Screw (2)
191C	14982	" " " " " Screw (3)
39541	14987	" " " " " Washer (3)
249956	14953	" " Hinge Block
23380	14953	" " " " " Pin
196F	14953	" " " " " Set Screw
402D	14953	" " " " " Screw (3)
249957	14951	" Carrier
40006	14987	" " " " " Block with 40007 and four 404D
40007	14987	Clamp Carrier Block Plate
404D	14953	" " " " " Screw
23384	14953	" " Connecting Rod
52C	14953	" " " " " Hinge Screw
249958	14951	" " Guard
244D	14953	" " " Screw
39591	14987	" " Guide (left)
756D	14950	" " " " " Screw (long)
1345D	14987	" " " " " " (short)
39645	14953	" " " " (right)
1230F	14953	" " " " " Screw (2)
249959	14951	" " Plate

## PARTS FOR MACHINE 71-113

No.	Plate	Name
1231F	14953	Clamp Carrier Plate Screw (back)(2)
404D	14953	" " " " (front)(2)
249960	14951	" " Regulator with 240D,1960 and 39583
1232C	13551	Clamp Carrier Regulator Hinge Screw
1960	13551	" " " Roller and Screw Stud with 1520J
1520J	14987	Clamp Carrier Regulator Roller and Screw Stud Nut
249895	14952	Clamp Carrier Regulator Slide
350076C	14987	" " " Stud (to regulate length of buttonhole)
1671C	13551	Clamp Carrier Regulator Stud Nut
39532	13551	" " " " Sleeve
39583	14987	" " " " Stop
240D	14987	" " " " Screw
39720	14951	" " Slide with 1345D,39591 and two 756D
23392	13551	Clamp Carrier Slide Guide (left)
23393	13551	" " " " (right)
914F	13551	" " " " Screw (4)
249625	14952	" " " Lever with 1960
23395	14987	" " " " Regulator
23396	13551	" " " " Cap
223D	14950	" " " " " Screw (4)
67D	13551	Clamp Carrier Slide Lever Regulator Screw
1960	13551	Clamp Carrier Slide Lever Roller and Screw Stud with 1520J
1520J	14987	Clamp Carrier Slide Lever Roller and Screw Stud Nut
7278	13551	Clamp Carrier Slide Lever Socket Joint
1234C	13551	" " " " Regulating Stud
23397	13551	" " " " " Bushing
1658C	13551	Clamp Carrier Slide Regulating Stud Thumb Nut
1256D	13551	Clamp Carrier Slide Screw (2)
39833	13553	" Check
39824	13553	" " Adjusting Plate
219F	4083	" " " " Screw (back)(2)
50163F	13553	" " " " " (front)
1296C	13553	" " Hinge Screw (back)
50162F	13553	" " " " (front)
39825	13553	" " Holder
1297F	13553	" " " Screw (2)
39724Y	14951	" Lifting Arm
249759	13551	" " " Connection (lower section)

## PARTS FOR MACHINE 71-113

No.	Plate	Name
249865	13551	Clamp Lifting Arm Connection (upper section)
249866	-----	Clamp Lifting Arm Connection complete, Nos.704C,23390,249759 and 249865
262003	14952	Clamp Lifting Arm Connection Guide Plate
690E	14955	" " " " " " Screw
41C	14955	Clamp Lifting Arm Connection Hinge Screw
1520J	14987	" " " " " " Nut
249867	14955	Clamp Lifting Arm Connection Lock
940F	14998	" " " " " Hinge Screw
232065	14955	Clamp Lifting Arm Connection Lock Spring
201295E	14955	" " " " " " Screw Stud
249963	14955	Clamp Lifting Arm Connection Lock Stop Plate
194C	14955	Clamp Lifting Arm Connection Lock Stop Plate Support Stud
249760	14956	Clamp Lifting Arm Connection Lock Trip Lever with 690D
690D	14955	Clamp Lifting Arm Connection Lock Trip Lever Pinch Screw
1901	14955	Clamp Lifting Arm Connection Roller and Screw Stud with 229D and 12424
40016Y	14955	Clamp Lifting Arm Connection Roller and Screw Stud Bracket
157F	15028	Clamp Lifting Arm Connection Roller and Screw Stud Bracket Screw
39541	14987	Clamp Lifting Arm Connection Roller and Screw Stud Bracket Screw Washer
229D	14955	Clamp Lifting Arm Connection Roller Cap Screw
12424	14955	Clamp Lifting Arm Connection Roller Cap Screw Washer
704C	14982	Clamp Lifting Arm Connection Screw
23390	15028	" " " " " Washer
199D	14955	" " " " Screw (2)
40020Y	14951	" Plate
1235F	14950	" " " Screw (4)
249964	14956	" " Support
402D	14953	" " " " Screw (2)
23574	14955	" Post
1659C	14955	" Pressure Regulating Thumb Nut
39514	14955	" Spring
23693Y	14955	" " Bushing
1294C	14955	" " " Position Stud
1550J	14955	" " " " " Nut
18859	14957	Cord Guide

No.	Plate	Name
39899	14956	Cord Leading Bracket
39768	14957	" " " Dowel Pin
389F	14957	" " " Screw
39770	14957	" " " Eye (double)
236F	14957	" " " Screw
39852	14957	" " " Finger (lower)
350067D	14957	" " " " Screw
39853	14957	" " " " Washer
39854	14957	" " " (upper)
230F	14957	" " " " Screw
39905	-----	Cord Leading Finger complete, Nos. 39852 to 39854 and 350067D
39855	14957	Cord Rotating Gear
39773	14957	" " " " G1b (back)
39772	14957	" " " " (front)
1329D	14957	" " " " Screw (4)
39780	14957	" " " " Slide
39781	14957	" " " " Block
39788	14957	" " " " Connecting Spring
262004	14957	" " " " " " " "
		Plate
1241E	14957	Cord Rotating Gear Slide Connecting Spring Screw Eye (front)
262005	14957	Cord Rotating Gear Slide Extension
185H	14957	" " " " " " Screw
		(2)
262006	14957	Cord Rotating Gear Slide Sleeve
262007	14957	" " " " " " Slide
		Rod
262008	14957	Cord Rotating Gear Slide Sleeve Slide Rod Connection
871C	14996	Cord Rotating Gear Slide Sleeve Slide Rod Connection Handle Screw
1200C	14958	Cord Rotating Gear Slide Sleeve Slide Rod Connection Hinge Screw
1521E	14998	Cord Rotating Gear Slide Sleeve Slide Rod Nut
39784	14958	Cord Rotating Gear Slide Sleeve Spring
39856	14956	" " " Sector with 7071, 39832 and 201321C
39832	14958	Cord Rotating Sector Adjustable Catch Notch G1b
201321C	14958	Cord Rotating Sector Adjustable Catch Notch G1b Screw
7071	14958	Cord Rotating Sector Adjustable Catch Notch G1b Screw Washer
39775	14958	Cord Rotating Sector Catch
39776	14958	" " " " Connection
39777	14958	" " " " " Collar

with two 219F

No.	Plate	Name
219F	4083	Cord Rotating Sector Catch Connection Collar Set Screw
240D	14987	Cord Rotating Sector Catch Screw (2)
39778	14958	" " " " " Spring
219F	4083	" " " " " " Screw
440C	14958	" " " " " " Stop Screw
1547J	14953	" " " " " " " Nut
350342D	14958	" " " " " Hinge Screw (eccentric)
1520E	14987	Cord Rotating Sector Hinge Screw Nut
213949	14958	" " " " " " Washer
262009	14956	" " " Tripping Cam with two 458C
458C	14987	" " " " " " Set Screw
39790	14958	" Take-up Spring
2455	4024	" Tension Disc (2)
50167D	14958	" " " Screw Stud
39789	14958	" " " Spring
1562J	4024	" " " Thumb Nut
39765	13553	" and Thread Clamping Spring
50164D	13553	" " " " " " Screw (2)
39766	13553	" " " " " Cutting Knife
50165D	13553	" " " " " " Screw
24028	14956	Crank Connecting Rod with 24085 and two 896E
*24085	-----	Crank Connecting Rod Cap
896E	14958	" " " " " " Screw
908C	14958	" " " " " Hinge Screw
1619E	14958	" " " " " " Nut
262010	14951	Face Plate
217F	14958	" " " " " Screw (lower)
190D	14950	" " " " " (upper)
249846	14956	Feed Driving Gear with two 448C
249847	14956	" " " " " (intermediate) with two 457E
249850	14951	Feed Driving Gear (intermediate) Bracket
249904	14956	Feed Driving Gear (intermediate) Bracket Position Lever
1178C	14987	Feed Driving Gear (intermediate) Bracket Position Lever Clamping Screw
232131	14987	Feed Driving Gear (intermediate) Bracket Position Lever Clamping Screw Washer
249848	14956	Feed Driving Gear (intermediate) Pinion Shaft
249745	14959	Feed Driving Gear (intermediate) Pinion Shaft Collar with two 458C
458C	14987	Feed Driving Gear (intermediate) Pinion Shaft Collar Set Screw

No.	Plate	Name
249849	14959	Feed Driving Gear (Intermediate) Pinion Shaft Eccentric Bushing
249844	14987	Feed Driving Gear (Intermediate) Pinion Shaft Eccentric Bushing Position Plate
161D	14953	Feed Driving Gear (Intermediate) Pinion Shaft Eccentric Bushing Position Plate Screw
232719	14987	Feed Driving Gear (Intermediate) Position Pin
457E	14987	Feed Driving Gear (Intermediate) Set Screw
40025	14987	Feed Driving Gear Position Pin
448C	14987	" " " " Set Screw
249913	-----	Feed Hand Ratchet Device complete, Nos. 95C, 158E, 646F, 50416C, 201721C, 249904, 249909 to 249912, 249914, 249922, 249923 250444, 350329C, 350337C and two 99C
249905	14959	Feed Hand Ratchet Lever
23414	13553	" " " " Collar with two 453C
453C	14961	Feed Hand Ratchet Lever Collar Set Screw
249906	14959	" " " " Extension Handle
160H	15037	" " " " " " Screw
249907	15037	Feed Hand Ratchet Lever Pawl with 232382
90D	14987	" " " " " Hinge Screw
250058	15037	" " " " " Spring
232382	15037	" " " " " Pin
1449H	15037	" " " " " Screw
249914	-----	Feed Hand Ratchet Lever complete, Nos. 90D 160H, 1449H, 249905 to 249907 and 250058
39924	14959	Feed Hand Ratchet Wheel with 460C
3012	14958	" " " " Pin
460C	14958	" " " " Set Screw
262011	13554	" Wheel with 249641 and two 220D
201688E	14958	" " Clamping Nut
249639	13554	" " Shaft
249640	14959	" " Tripping Lever
350237C	14958	" " " " Hinge Screw
1620E	14958	" " " " " Nut
249868	14958	" " " " Point
203C	14958	" " " " " Screw (2)
646F	15037	" " " " " Screw Stud
250444	15037	" " " " " Washer
23435	14958	" " " " " Spring
190D	14950	" " " " " Screw
184E	14958	" " " " " Stop Screw
249641	14958	" " " " Point

No.	Plate	Name
220D	14958	Feed Wheel Tripping Point Screw
249642	14959	Intermittent Feed Wheel with two 350249E
249887	14959	" " " " Driving Bevel Gear with two 1143F
249644	14959	Intermittent Feed Wheel Driving Bevel Gear Bracket
1396E	14961	Intermittent Feed Wheel Driving Bevel Gear Bracket Screw (2)
350230C	14961	Intermittent Feed Wheel Driving Bevel Gear Cap Screw
249645	14959	Intermittent Feed Wheel Driving Bevel Pinion with two 453C
40025	14987	Intermittent Feed Wheel Driving Bevel Pinion Position Pin
453C	14961	Intermittent Feed Wheel Driving Bevel Pinion Set Screw
201891	14961	Intermittent Feed Wheel Driving Roller
201996	-----	" " " " " " 201891 with 229D, 23389 and 249888 (2)
229D	14955	Intermittent Feed Wheel Driving Roller Cap Screw
23389	14961	Intermittent Feed Wheel Driving Roller Cap Screw Washer
249888	14961	Intermittent Feed Wheel Driving Roller Stud
1143E	14961	Intermittent Feed Wheel Driving Roller Stud Set Screw
12546	14961	Intermittent Feed Wheel Position Pin
350249E	14961	" " " " " Screw
249646	14959	" " " " Shaft
39799	-----	Knife, 3/8 inch
39840	-----	" 7/16 inch
39800	-----	" 1/2 inch
39831	-----	" 9/16 inch
39801	-----	" 5/8 inch
39841	-----	" 11/16 inch
39829	14961	" 3/4 inch
39795	-----	" 7/8 inch
39830	-----	" 1 inch
23460	14964	" Bar
23461	14961	" " Connecting Link
1239D	14961	" " " " Hinge Cap Screw
1240C	14961	" " " " " Screw
23462	14961	" " " " Stud with 1319F
1319F	14961	" " " " Clamping Screw
249656	14964	" " Disengaging Lever with 1242E
249657	14964	" " " " Catch with 1963
249658	14964	Knife Bar Disengaging Lever Catch Bracket with 1242E and 238089

No.	Plate	Name
238089	14961	Knife Bar Disengaging Lever Catch Bracket Position Pin
50416C	14961	Knife Bar Disengaging Lever Catch Hinge Screw
1547J	14953	Knife Bar Disengaging Lever Catch Hinge Screw Nut
1963	14961	Knife Bar Disengaging Lever Catch Roller and Stud
249659	14961	Knife Bar Disengaging Lever Catch Spring
1241E	14957	" " " " " " Screw Stud
23466	14961	Knife Bar Disengaging Lever Catch Tripping Point
249869	14964	Knife Bar Disengaging Lever Catch Tripping Point Collar with 175E, 756E, 23466, 249863 and two 448C
448C	14987	Knife Bar Disengaging Lever Catch Tripping Point Collar Set Screw
175E	14961	Knife Bar Disengaging Lever Catch Tripping Point Screw
90C	14987	Knife Bar Disengaging Lever Hinge Screw
1242E	14961	" " " " Screw Stud
249660	14961	" " " " Spring
1242E	14961	" " " " Screw
249661	13554	" " Driving Lever
350281C	15028	" " " " Hinge Screw
1428C	14961	" " " " Screw Stud
1520J	14987	" " " " Nut
23681	15028	" " " " Spring
805C	15028	" " " " Screw
249662	13554	" " " " (intermediate)
144D	15028	" " " " Cap Screw
23471	14963	Knife Bar Driving Lever (intermediate) Connecting Link
54C	15028	Knife Bar Driving Lever (intermediate) Connecting Link Hinge Screw
350243C	15028	Knife Bar Driving Lever (intermediate) Hinge Screw Stud
201510E	14963	Knife Bar Driving Lever (intermediate) Hinge Screw Stud Nut
205634	15028	Knife Bar Driving Lever (intermediate) Hinge Screw Stud Washer
1959	15028	Knife Bar Driving Lever (intermediate) Roller and Screw Stud with 229D and 12424
229D	14955	Knife Bar Driving Lever (intermediate) Roller Cap Screw
12424	14955	Knife Bar Driving Lever (intermediate) Roller Cap Screw Washer

No.	Plate	Name
249737	15028	Knife Bar Spring
249544	15028	" " Stop
249545	15028	" " " Retainer Plate
50615D	15028	" " " " Screw (2)
39796	14961	" Holder
1243C	15028	" " Guide Stud
1608C	15028	" " " " Nut
157C	15028	" " Screw
1547J	14953	" " " Nut
1094F	14963	" Screw
39541	14987	" " Washer
39857	14964	Needle Bar with 904F
23476	14993	" " Connecting Link with 794E
794E	14993	" " " " Adjusting Screw
1021E	14993	Needle Bar Connecting Link Cap Screw
39601	14993	" " " Stud with 1341C
1341C	14993	" " " Set Screw
23477	14964	" " Crank with 858C, 1036C, 1065C and 1258C
1065C	14963	Needle Bar Crank Position Screw
858C	15028	" " " Set Screw
39794	14964	" " Frame with 4784
249666	14964	" " " Connection
350254F	14993	" " " Cap Screw
350251C	14963	" " " Hinge Screw
249667	14993	" " " Driving Gear
249671	14993	" " " " (intermediate)(large) with 235356
249672	14993	Needle Bar Frame Driving Gear (intermediate)(small)
249669	14964	Needle Bar Frame Driving Gear (intermediate) Bracket with 1149C
250397	14993	Needle Bar Frame Driving Gear (intermediate) Bracket Position Pin
129E	14993	Needle Bar Frame Driving Gear (intermediate) Bracket Screw (2)
201715C	14993	Needle Bar Frame Driving Gear (intermediate) Clamping Nut
235356	14993	Needle Bar Frame Driving Gear (intermediate) Pin
249670	14993	Needle Bar Frame Driving Gear (intermediate) Stud
1149C	14993	Needle Bar Frame Driving Gear (intermediate) Stud Set Screw
200068H	14993	Needle Bar Frame Driving Gear Screw (2)
23610	----	" " " Pitman (hinge screw end)
23609	----	" " " (regulator end)
190C	14950	" " " Adjusting Screw
7071	14958	" " " " Washer



No.	Plate	Name
23611	14993	Needle Bar Frame Pitman (adjustable) complete, Nos. 23609, 23610, two each 190C and 7071
1042C	14993	Needle Bar Frame Pitman Hinge Screw
1547J	14953	" " " " " " Nut
249673	14993	" " " Regulator
1038C	14993	" " " " Adjusting Screw
1698C	14993	" " " " " " Nut
7070	14963	" " " " " " "
		Sleeve
39504	15028	Needle Bar Frame Regulator Adjusting Screw Washer
249668	15028	Needle Bar Frame Regulator Hinge Stud
446C	14963	" " " " " " "
		Set Screw
673F	14963	Needle Bar Frame Screw Center
1517J	14963	" " " " " " Nut
262013	14963	" Plate
404D	14953	" " Screw (2)
904F	14963	" Set Screw
249674	14966	" Vibrating Gear with two 350249E
12546	14961	" " " Position Pin
350249E	14961	" " " " Screw
39653	14966	Oscillating Rock Shaft
23494	14966	" " " Hinge Pin with 23421
23421	-----	Oscillating Rock Shaft Hinge Pin Oil Hole Plug (leather)
448C	14987	Oscillating Rock Shaft Hinge Pin Set Screw
39654	-----	Oscillating Rock Shaft complete, Nos. 4784 23494 and 39653
4784	-----	Oscillating Rock Shaft Oil Pad
39655	14966	" Shaft
39656	14966	" " Bushing (back)
24047	14966	" " " (front)
249809	14963	" " " " Oil Tube (brass)
39657	-----	Oscillating Shaft Crank
1253C	14963	" " " Set Screw
39658	14963	Oscillating Shaft Crank complete, Nos. 1636E, 24050, 39657 and two 1253C
19448	14963	Oscillating Shaft Crank Slide Block
226D	14963	" " " " " " Cap Screw
12424	14955	Oscillating Shaft Crank Slide Block Cap Screw Washer
1035C	14965	Oscillating Shaft Crank Slide Block Screw Stud

No.	Plate	Name
1636E	14963	Oscillating Shaft Crank Slide Block Screw Stud Nut
24050	-----	Oscillating Shaft Crank Slide Block complete, Nos. 226D, 1035C, 12424 and 19448
*249890	-----	Pulley (loose) with 200584D
249891	14963	" " Ball Bearing
249892	14963	" " Bushing
200584D	14963	" " Grease Retaining Screw
249893	14966	Pulley (loose) (ball bearing) complete, Nos. 249890 to 249892
249702	14966	Pulley (tight) with 454C
40025	14987	" " Pin (2)
454C	14963	" " Set Screw
262014	14966	Sewing Safety Lock
59D	14965	" " " Hinge Screw
249731	14966	" " " Pitman (front section)
249732	14966	" " " " (rear section)
203E	14958	" " " " Screw
249764	-----	Sewing Safety Lock Pitman complete, Nos. 249731, 249732 and two 203E
350235D	14965	Sewing Safety Lock Pitman Hinge Screw (back)
766D	14965	Sewing Safety Lock Pitman Hinge Screw (front)
23500	14965	Shuttle Bobbin
15141	-----	" " Case Hinge, Nos. 2973, 2974 and 15140
15140	14965	Shuttle Bobbin Case Latch
2973	14965	" " " " Lever
2974	14965	" " " " " Fulcrum Pin
2975	14965	Shuttle Bobbin Case Latch Spring
592E	14965	" " " " Stop Screw
39623	14965	" " " Position Finger
2523	14965	" " " " Rivet
249546	14962	" " " " Plate
399D	14965	" " " " " Screw
40112	14965	Shuttle Bobbin Case complete, Nos. 591F, 592E, 2523, 2975, 15141, 15278 and 39623
40028	14962	Shuttle Body
23505	14962	" Driver with 462C
462C	14965	" " Set Screw
2269	14950	" " Pin
249924	14962	" Race
39969	14962	" " Back
2532	14965	" " Position Pin
2533	14962	" " Spring
907E	14965	" " " Screw
7326	14962	" " Cap

No.	Plate	Name
662D	14965	Shuttle Race Cap Screw
249928	-----	" " Oil Packing (felt)
249928	14962	" " Plate
203E	14958	" " " Screw
249927	14965	" " Position Pin
249929	14962	Shuttle Race complete, Nos. 907E, 2533, 7326, 39969, 249546, 249924, 249926, two each 399D, 662D, 2532, 249927, 249928 and three 203E
145F	14965	Shuttle Race Screw (2)
591F	14965	" Tension Regulating Screw
15278	14965	" " Spring
249703	13554	Starting Lever
717C	14965	" " Adjusting Screw
1520J	14987	" " " " Nut
249704	13554	" " Bracket
8582	14950	" " Dowel Pin (2)
123E	14965	" " " Screw
23511	14992	" " Rod
61C	14965	" " Hinge Screw
564C	14965	" " Screw Center
58384	-----	" " " " 564C with 1508E (2)
1508E	14965	Starting Lever Screw Center Nut
23624	14965	" " Spring
39675	14967	" " " Collar with two 191C
191C	14982	Starting Lever Spring Collar Set Screw
202005	14967	" " " Washer
124F	14967	" " Stop Screw
1518J	14967	" " " " Nut
249675	-----	Stitch Regulating Gear, 18 teeth
249677	-----	" " " 20 teeth
249679	-----	" " " 24 teeth
249682	-----	" " " 30 teeth
249725	-----	" " " 36 teeth
Note: No. 249725 is furnished with Machines unless another Stitch Regulating Gear is specified on order.		
249727	13552	Stitch Regulating Gear, 40 teeth
249744	-----	" " " 45 teeth
249923	13552	" " " Disengaging Lever
350337C	15037	Stitch Regulating Gear Disengaging Lever Hinge Screw
249909	15037	Stitch Regulating Gear Disengaging Slide
249910	15037	Stitch Regulating Gear Disengaging Slide Bracket

No.	Plate	Name
158E	4024	Stitch Regulating Gear Disengaging Slide Bracket Screw
249911	15037	Stitch Regulating Gear Disengaging Slide Bracket Support Washer
95C	15037	Stitch Regulating Gear Disengaging Slide Operating Screw
99C	15037	Stitch Regulating Gear Disengaging Slide Screw
201721C	15037	Stitch Regulating Gear Guide and Lock Nut
249739	14996	Stitch Regulating Gear Pin
249912	15037	" " " Spring
249705	14996	Stop Cam with two 202330
249706	14992	" " Gear
249707	14992	" " " Guard
164D	14967	" " " " Screw (2)
249708	14992	" " " Stud
200522C	14996	" " " Set Screw
249741	14992	" " Interlocking Rod
249709	13555	" " " " Guide with 1070C and 1959
1070C	14996	Stop Cam Interlocking Rod Guide Set Screw
39988	-----	Stop Cam Interlocking Rod Guide Washer (rawhide)
21651	14996	Stop Cam Interlocking Rod Spring
913C	14996	" " " " " Regulating Thumb Screw
1638E	14996	Stop Cam Interlocking Rod Spring Regulating Thumb Screw Nut
202330	-----	Stop Cam Oil Packing (wick)
249742	14996	" " Spring
249711	14992	" " " Cover
200108D	14996	" " " " Screw (3)
871C	14996	" " " Stop Screw
249713	14996	" " " " " Block with 457C
457C	14987	Stop Cam Spring Stop Screw Block Set Screw
249922	13552	Stop Lever
50416C	14961	" " " Hinge Screw
2102	14967	Tension (side of arm) Disc (2)
1560C	14967	" " " " Regulating Thumb Nut
23519	14967	Tension (side of arm) Releaser with 200F
40033Y	13552	Tension (side of arm) Releaser Arm with 50128E
12538	14967	Tension (side of arm) Releaser Arm Pin
50128E	14967	" " " " " Set Screw

No.	Plate	Name
40051	13552	Tension (side of arm) Releaser Lever with 641C
40052	14967	Tension (side of arm) Releaser Lever Lock Pin
1352C	14967	Tension (side of arm) Releaser Lever Lock Pin Screw Bushing
40053	14967	Tension (side of arm) Releaser Lever Lock Pin Spring
2117	14967	Tension (side of arm) Releaser Lever Pin
641C	14967	Tension (side of arm) Releaser Lever Set Screw
249880	13552	Tension (side of arm) Releaser Lever Shaft
40067	13552	Tension (side of arm) Releaser Lever Shaft Bracket
966D	14967	Tension (side of arm) Releaser Lever Shaft Bracket Screw (3)
249843	14967	Tension (side of arm) Releaser Lever Spring
1241E	14957	Tension (side of arm) Releaser Lever Spring Screw Stud (2)
717C	14965	Tension (side of arm) Releaser Lever Stop Screw
1520J	14987	Tension (side of arm) Releaser Lever Stop Screw Nut
1469C	14967	Tension (side of arm) Releaser Lever Stop Screw Stud
200F	14967	Tension (side of arm) Releaser Set Screw
39797	14967	" " " " " Shaft
39798	13552	" " " " " Crank
679C	13553	" " " " " " Ball Screw Stud
1520J	14987	Tension (side of arm) Releaser Shaft Crank Ball Screw Stud Nut
2269	14950	Tension (side of arm) Releaser Shaft Crank Pin
1043C	13553	Tension (side of arm) Screw Stud
350060C	13553	" " " " " " Set Screw
8238	13553	Tension (side of arm) Spring
32012	14998	" (top cover) Disc (2)
1560C	14967	" " " Regulating Thumb Nut
249685	14998	" " " Releaser
1387C	14998	" " " " Guide Screw Stud
1521E	14998	Tension (top cover) Releaser Guide Screw Stud Nut
249686	14998	Tension (top cover) Releaser Holder with 201F

No.	Plate	Name
999F	14998	Tension (top cover) Releaser Holder Hinge Screw
249687	14998	Tension (top cover) Releaser Rod
40043	14998	" " " " " Collar with 209C (2)
209C	14998	Tension (top cover) Releaser Rod Collar Set Screw
249800	14998	Tension (top cover) Releaser Rod Spring
201F	14998	" " " " " Set Screw
32572	14998	" " " Releasing Disc
39633	14998	" " " " Lever
249688	14998	" " " " " Connection
974F	14998	Tension (top cover) Releasing Lever Connection Screw (back)
940F	14998	Tension (top cover) Releasing Lever Connection Screw (front)
90C	14987	Tension (top cover) Releasing Lever Hinge Screw
39635	14998	Tension (top cover) Releasing Pin
1388C	14998	" " " " " Screw Stud
1664E	13551	" " " " " Nut
2103	13556	" " " Spring
39636	14998	" " " Thread Eyelet (double)
217F	14958	" " " " " Screw
40035	13551	Thread (lower) Cutting Blade
40036	13555	" " " " " Carrier with 40038
40037	13555	Thread (lower) Cutting Blade Carrier Lever
32C	13551	Thread (lower) Cutting Blade Carrier Lever Hinge Screw
249534	15044	Thread (lower) Cutting Blade Carrier Lever Spring
1241E	14957	Thread (lower) Cutting Blade Carrier Lever Spring Screw Stud (2)
435C	14950	Thread (lower) Cutting Blade Carrier Lever Stop Screw
1520J	14987	Thread (lower) Cutting Blade Carrier Lever Stop Screw Nut
40038	15044	Thread (lower) Cutting Blade Carrier Stud
262015	15044	Thread (lower) Cutting Blade Friction Plate
228F	14982	Thread (lower) Cutting Blade Friction Plate Screw (2)
240D	14987	Thread (lower) Cutting Blade Screw (2)
249831	13555	" " " " " Lever
1351C	15044	" " " " " Ball Screw
1520J	14987	" " " " " " Nut

No.	Plate	Name
249871	13555	Thread (lower) Cutting Lever Extension
350246C	15044	" " " " " "
		Hinge Screw
1521E	14998	Thread (lower) Cutting Lever Extension
		Hinge Screw Nut
249916	15044	Thread (lower) Cutting Lever Extension
		Spring
996E	15044	Thread (lower) Cutting Lever Extension
		Spring Screw Stud
249845	15044	Thread (lower) Pull-off Finger
106C	13551	" " " " " Guide
		Screw
1350C	15044	Thread (lower) Pull-off Finger Hinge
		Screw
249979	15044	Thread (upper) Cutting Lock (lower sec-
		tion)
249980	15044	Thread (upper) Cutting Lock (upper sec-
		tion)
90C	14987	Thread (upper) Cutting Lock Hinge Screw
203E	14958	" " " " " Screw
249981	-----	Thread (upper) Cutting Lock complete,
		Nos.249979,249980 and two 203E
23669	15044	Thread Guide (side of arm)(lower)
460C	14958	" " " " " " Set
		Screw
39711	15044	Thread Guiding Stud (side of arm)
460C	14958	" " " " " " Set
		Screw
39712	15044	Thread Retainer Holder with 462C
1664E	13551	" " " " Nut
12400	15044	" " Sleeve
39713	15044	" " Spring
12402	15044	" " Stud
462C	14965	" " " Set Screw
39714	-----	Thread Retainer complete,Nos.1664E,12400
		12402,39712 and 39713
23523	15044	Thread Take-up Crank
1036C	15044	" " " Position Screw
1258C	15044	" " " Set Screw
23524	13556	" " Lever
12166	13556	" " " Hinge Pin
23543	13556	" " " Link
249915	13556	" " " " Hinge Pin with
		222598
222598	-----	Thread Take-up Lever Link Hinge Pin Oil
		Packing (wick)
435C	14950	Thread Take-up Lever Link Hinge Pin Set
		Screw
4784	-----	Thread Take-up Lever Oil Pad

No.	Plate	Name
23525	-----	Thread Take-up Lever complete,Nos.12166,
		23524 and 23543
39652	13556	Thread Take-up Spring
39950	13556	" " " Regulator with
		350060C
446C	14963	Thread Take-up Spring Regulator Set
		Screw

Genuine Singer Needles should be used  
in Singer Machines.  
These Needles and their Containers  
are marked with the  
Company's Trade Mark "SIMANCO." 1

Needles in Containers marked  
"For Singer Machines"  
are not Singer made needles. 2

## ACCESSORIES

No.	Plate	Name
262026	13555	Gauge, for 3/8 to 1-1/4 in., for setting length of buttonhole, with 200137H and 249789
249789	13555	Gauge Chain and Ring
200137H	15037	" " " " Screw
40013	13556	Guide
1238F	13556	" Screw
39799	-----	Knife, 3/8 inch
39800	-----	" 1/2 inch
39795	-----	" 7/8 inch
23500	14465	Shuttle Bobbin (5)
249682	-----	Stitch Regulating Gear, 30 teeth
249725	-----	" " " 36 teeth
249744	-----	" " " 45 teeth
40035	13551	Thread (lower) Cutting Blade
255513	15049	Tweezers
71 x 1	-----	Needles, three each, sizes 14 and 16
23527	-----	Drip Pan with two wood screws 1/2 in., No. 5, R.H.B.
41401	15048	Machine Rest Pin (wood)
120346	15049	Oiler (copper plated) with 120347
120347	15049	" Spout, 8-1/2 in. long
11831	15048	Screw Driver (5 in. blade) (machine, large)
*120088	-----	Screw Driver Blade
*120090	-----	" " Handle
26026	15048	Screw Driver (machine, small), Nos. 120088 and 120090
*250521	-----	Screw Driver Blade
*225483	-----	" " Handle
250522	15048	Screw Driver (for needle set screw) complete, Nos. 225483 and 250521
249746	15048	Screw Driver, for Needle Bar Connecting Stud Set Screw
23551	4024	Treadle Chain Screw Eye (2)
255541	15048	Wrench
255540	15048	"
21654	15048	"
23535	15048	"
249820	15048	"

## BOBBIN WINDER

No.	Plate	Name
249714	15050	Base with 27916 and two 28084
15072	4024	Bobbin Position Pin
27916	4024	Brake (leather)
28084	4024	" Rivet
249715	15050	Frame
50356D	15037	" Hinge Screw
1620J	14958	" " " Nut
249716	15037	" Spring
27918	15050	Pulley
27538	15050	Spindle with 15072, 27850 and 41828
*27850	-----	" Collar
41828	15028	" " Pin
249938	15050	Stop Latch
35D	15046	" " Hinge Screw
10249	4083	" " Spring
203E	14958	" " " Screw
7071	14958	" " " Washer
249696	15050	Tension Bracket with 452C
249697	-----	Tension Bracket complete, Nos. 1620J, 5989, 10145, 27922, 249693 and 249696
2455	4024	Tension Disc
1562J	4024	" Regulating Thumb Nut
418D	4024	" Screw Stud
10141	4024	" Spring
10145	4024	" Thread Guide
5989	-----	Tension complete, Nos. 418D, 1562J, 10141 and two 2455
27922	15050	Thread Eyelet Rod
452C	14950	" " " Set Screw
249693	15028	" Leader
1620J	14958	" " Lock Nut
249939	15050	Bobbin Winder complete, Nos. 35D, 203E, 1620J, 7071, 10249, 27538, 27918, 50356D, 249714 to 249716 and 249938

## IRON BASE

249721	-----	Bed Frame with two each 16555, 19398, four each 158E, 24106, six 14010 and four wood screws 1-1/4 in., No. 12
24106	4024	Bed Frame Cushion (felt)
158E	4024	" " " Screw
19226	4024	" " Hinge Connection
19398	-----	" " " " 19226 with 211E and 19397
19397	4024	Bed Frame Hinge Connection Cap
211E	4024	" " " " " Screw

## ACCESSORIES

No.	Plate	Name
16555	4024	Bed Frame Hinge Plate
14010	4024	" " " Rivet
249722	-----	Splash Guard with 201655J
39912	4083	" " Hinge
200574E	13556	" " Screw
201655J	15046	" " Locking Screw Wing Nut
249723	-----	Bed Frame and Splash Guard complete, Nos. 249721, 249722, two 39912 and eight 200574E

## TABLE BELT GUIDES

23536	13554	Guide with two 168E
168E	13556	" Set Screw
14229	13554	Bracket with 448C
23538	13554	Pulley
39708	13554	" Shaft with 858C
858C	15028	" Oil Hole Plug Screw
448C	14987	" Set Screw
39716	-----	Table Belt Guide (single, left) complete, Nos. 14229, 23536, 23538, 39708 and four wood screws 1-1/4 in., No. 12, R.H.B.
39709	-----	Table Belt Guide (single, right) complete Nos. 14229, 23536, 23538, 39708 and four wood screws 1-1/4 in., No. 12, R.H.B.

## THREAD UNWINDER

225259	15815	Spool Rest (for one spool)(flat) with 201018C
225257	15815	Spool Rest (for two spools)(flat) with 201018C
150203	-----	Spool Rest Cushion (felt)
225388	15815	" Rod
200383C	15037	" Set Screw
201018C	15037	" Set Screw
202490	15815	" Stand with 200383C
225391	15815	Thread Guide
201696J	15037	" Lock Nut
225324	15815	" Rod with 208E and 225322
208E	4083	" Screw
225322	15037	" Washer
225326	15037	" Position Cup
259143	15815	Thread Unwinder (for three spools) com- plete, Nos. 201696J, 202490, 225257, 225259, 225324, 225326, 225388, three each 150203, 225391 and wood screws 7/8 in., No. 12

## ACCESSORIES

## TREADLE

No.	Plate	Name
14368	13554	Treadle
39569	13554	Chain, 45 in. long, with 39575 and 39576 (2)
39570	13554	Chain Guide Bracket
39571	13554	" Pulley
1064D	13556	" Screw
39575	4024	" Hook (lower)
39576	4024	" (upper)
39572	-----	Treadle Chain Guide complete, Nos. 39570, two each 1064D, 39571 and wood screws 1-1/4 in., No. 12, R.H.B. (2)
17881	15037	Treadle Shaft
14369	13554	" Stand
14370	13554	Treadle complete, Nos. 14368, 14369, 17881 and two wood screws 1-1/4 in., No. 12 (2)

Genuine Singer Needles should be used  
in Singer Machines.  
These Needles and their Containers  
are marked with the  
Company's Trade Mark "SIMANCO." 1

Needles in Containers marked  
"For Singer Machines"  
are not Singer made needles. 2

## KNIFE GRINDER

No.	Plate	Name
39886	-----	Emery Wheel, 4 in. diameter
39887	4083	" " Driving Shaft
201510D	14963	" " " " Nut
204101	15046	" " " " Washer
39888	4083	" " " " Oil Hole Cover
350068E	15037	" " " " " " "
		Screw
206963	15046	Emery Wheel Driving Shaft Pulley with two 200403C
200403C	15046	Emery Wheel Driving Shaft Pulley Set Screw
206969	-----	Emery Wheel Washer (paper)
39889	-----	Knife Grinder Frame
39890	4086	" Holder (adjustable)
57C	4083	" " Hinge Screw
39891	4083	" " Indicator
203094	15046	" " " Position Pin
200165H	15046	" " " Screw
39892	4086	" " Slide Bracket with 200386C
201298C	15046	" " " " Adjusting
		Screw
39893	4086	Knife Holder Slide Bracket Adjusting Screw Slide Plate
200577H	15046	Knife Holder Slide Bracket Adjusting Screw Slide Plate Screw
10249	4083	Knife Holder Slide Bracket Adjusting Screw Tension Spring
219F	4083	Knife Holder Slide Bracket Adjusting Screw Tension Spring Screw
200386C	15046	Knife Holder Slide Bracket Set Screw
39894	4086	" " " " Shaft
206232	15046	" " " " Collar
		with 201052C
201052C	15046	Knife Holder Slide Bracket Shaft Collar Set Screw
771D	15046	Knife Holder Thumb Screw
9525	4083	" " " " Washer
39895	4083	" Holding Spring
39896	4083	" " " Bracket
204264	15046	" " " " Position Pin
176D	4083	" " " " Screw
204264	15046	" " " Position Pin
793D	4083	" " " Thumb Screw

No.	Plate	Name
39897	4083	Knife Stop (adjustable)
208D	4083	" " Screw
39898	-----	Knife Grinder complete, Nos. 57C, 176D, 208D, 219F, 771D, 793D, 9525, 10249, 39886 to 39897, 200165H, 201298C, 201510D, 203094, 204101, 206963, 350068E, two each 200577H, 204264, 206232, 206969 and three wood screws 1-1/4 in., No. 12

## MISCELLANEOUS PARTS

Used in conjunction with Thread Unwinder

60913	15815	Spool Weight with 60914
60914	-----	" " Center Pin
225377	15815	" Wire, for small spools
27739	15815	Thread Cone (wood)

Genuine Singer Needles should be used in Singer Machines. These Needles and their Containers are marked with the Company's Trade Mark "SIMANCO." 1

Needles in Containers marked "For Singer Machines" are not Singer made needles. 2

Genuine Singer Needles should be used  
in Singer Machines.  
These Needles and their Containers  
are marked with the  
Company's Trade Mark "SIMANCO." 1

Needles in Containers marked  
"For Singer Machines"  
are not Singer made needles. 2

## NUMERICAL LIST OF PARTS

FOR

**MACHINE No. 71-113**



## NUMERICAL LIST OF PARTS

No.	Plate	Name
32C	13551	Thread (lower) Cutting Blade Carrier Lever Hinge Screw
35D	15046	Bobbin Winder Stop Latch Hinge Screw, for 249939
41C	14955	Clamp Lifting Arm Connection Hinge Screw
52C	14953	" Carrier Connecting Rod Hinge Screw
54C	15028	Knife Bar Driving Lever (intermediate) Connecting Link Hinge Screw
57C	4083	Knife Grinder Knife Holder Hinge Screw, for 39898
59D	14965	Sewing Safety Lock Hinge Screw
61C	14965	Starting Lever Rod Hinge Screw
67D	13551	Clamp Carrier Slide Lever Regulator Screw
90D	14987	Feed Hand Ratchet Lever Pawl Hinge Screw for 249914
90C	14987	Knife Bar Disengaging Lever Hinge Screw
90C	14987	Tension (top cover) Releasing Lever Hinge Screw
90C	14987	Thread (upper) Cutting Lock Hinge Screw
95C	15037	Stitch Regulating Gear Disengaging Slide Operating Screw, for 249913
99C	15037	Stitch Regulating Gear Disengaging Slide Screw, for 249913
106C	13551	Thread (lower) Pull-off Finger Guide Screw
123E	14965	Starting Lever Bracket Screw
124F	14967	" " Stop Screw
129E	14993	Needle Bar Frame Driving Gear (inter- mediate) Bracket Screw
135D	14953	Bobbin Winder Tension Bracket Screw
144D	15028	Knife Bar Driving Lever (intermediate) Cap Screw
145F	14965	Shuttle Race Screw
157F	15028	Clamp Lifting Arm Connection Roller and Screw Stud Bracket Screw
157C	15028	Knife Holder Screw
158E	4024	Bed Frame Cushion Screw, for 249721
158E	4024	Belt Shifter Shaft Bracket Extension Screw
158E	4024	Stitch Regulating Gear Disengaging Slide Bracket Screw, for 249913
160H	15037	Feed Hand Ratchet Lever Extension Handle Screw, for 249914

No.	Plate	Name
161D	14953	Bobbin Winder Base Screw
161D	14953	Feed Driving Gear (intermediate) Pinion Shaft Eccentric Bushing Position Plate Screw
164D	14967	Stop Cam Gear Guard Screw
168E	13556	Table Belt Guide Set Screw, for 23536
175E	14961	Knife Bar Disengaging Lever Catch Tripping Point Screw, for 249869
176D	4083	Knife Grinder Knife Holding Spring Bracket Screw, for 39898
184E	14958	Feed Wheel Tripping Lever Stop Screw
185H	14957	Cord Rotating Gear Slide Extension Screw
190D	14950	Arm Side Cover Screw
190D	14950	" Top Cover Screw
190D	14950	Face Plate Screw (upper)
190D	14950	Feed Wheel Tripping Lever Spring Screw
190C	14950	Needle Bar Frame Pitman Adjusting Screw, for 23611
191C	14982	Barring Point Screw
191D	14982	Belt Shifter Shaft Bracket Stop Screw
191C	14982	Clamp Arm Bracket Screw
191C	14982	Starting Lever Spring Collar Set Screw, for 39675
194C	14955	Clamp Lifting Arm Connection Lock Stop Plate Support Stud
196F	14953	Clamp Arm Hinge Block Pin Set Screw, for 249955
199D	14955	Clamp Lifting Arm Screw
200F	14967	Tension (side of arm) Releaser Set Screw, for 23519
201F	14998	Tension (top cover) Releaser Set Screw, for 249686
203E	14958	Bobbin Winder Stop Latch Spring Screw, for 249939
203C	14958	Feed Wheel Tripping Lever Point Screw
203E	14958	Sewing Safety Lock Pitman Screw, for 249764
203E	14958	Shuttle Race Plate Screw, for 249929
203E	14958	Thread (upper) Cutting Lock Screw, for 249981
207F	14987	Clamp Arm Bracket Guide (right) Screw
208D	4083	Barring Shaft Guard Screw
208D	4083	Knife Grinder Knife Stop Screw, for 39898
208E	4083	Thread Unwinder Thread Guide Rod Screw, for 225324
209C	14998	Tension (top cover) Releaser Rod Collar Set Screw, for 40043

No.	Plate	Name
211E	4024	Bed Frame Hinge Connection Cap Screw, for 19398
217F	14958	Face Plate Screw (lower)
217F	14958	Tension (top cover) Thread Eyelet Screw
219F	4083	Clamp Arm Bracket Guide (left) Screw
219F	4083	" Check Adjusting Plate Screw (back)
219F	4083	Cord Rotating Sector Catch Connection Collar Set Screw, for 39777
219F	4083	Cord Rotating Sector Catch Spring Screw
219F	4083	Knife Grinder Knife Holder Slide Bracket Adjusting Screw Tension Spring Screw, for 39898
220D	14958	Feed Wheel Tripping Point Screw, for 262011
223D	14950	Barring Slide Operating Plate (adjustable) Screw
223D	14950	Clamp Carrier Slide Lever Regulator Cap Screw
226D	14963	Oscillating Shaft Crank Slide Block Cap Screw, for 24050
228D	14982	Barring Slide Operating Plate (stationary) Screw
228F	14982	Thread (lower) Cutting Blade Friction Plate Screw
229D	14955	Clamp Lifting Arm Connection Roller Cap Screw, for 1901
229D	14955	Intermittent Feed Wheel Driving Roller Cap Screw, for 201996
229D	14955	Knife Bar Driving Lever (intermediate) Roller Cap Screw, for 1959
230F	14957	Cord Leading Finger (upper) Screw
236F	14957	" " Eye Screw
237F	14950	Belt Shifter Shaft Guide Collar Set Screw, for 249861
240D	14987	Clamp Carrier Regulator Stud Stop Screw, for 249960
240D	14987	Cord Rotating Sector Catch Screw
240D	14987	Thread (lower) Cutting Blade Screw
244D	14953	Clamp Carrier Guard Screw
389F	14957	Cord Leading Bracket Screw
399D	14965	Shuttle Bobbin Case Position Plate Screw, for 249929
402D	14953	Clamp Arm Screw
402D	14953	" Plate Support Screw
404D	14953	" Carrier Block Plate Screw, for 40006
404D	14953	Clamp Carrier Plate Screw (front)
404D	14953	Needle Plate Screw
418D	4024	Bobbin Winder Tension Screw Stud, for 5989

## NUMERICAL LIST OF PARTS

No.	Plate	Name
435C	14950	Arm Shaft Flanged Bushing (back) Set Screw
435C	14950	Thread (lower) Cutting Blade Carrier Lever Stop Screw
435C	14950	Thread Take-up Lever Link Hinge Pin Set Screw
440C	14958	Cord Rotating Sector Catch Stop Screw
446C	14963	Needle Bar Frame Regulator Hinge Stud Set Screw
446C	14963	Thread Take-up Spring Regulator Set Screw
448C	14987	Feed Driving Gear Set Screw, for 249846
448C	14987	Knife Bar Disengaging Lever Catch Tripping Point Collar Set Screw, for 249869
448C	14987	Oscillating Rock Shaft Hinge Pin Set Screw
448C	14987	Table Belt Guide Pulley Shaft Set Screw, for 14229
452C	14950	Barring Slide Stop Screw (adjustable) Set Screw, for 249611
452C	14950	Bobbin Winder Thread Eyelet Rod Set Screw, for 249696
453C	14961	Feed Hand Ratchet Lever Collar Set Screw for 23414
453C	14961	Intermittent Feed Wheel Driving Bevel Pinion Set Screw, for 249645
454C	14963	Pulley (tight) Set Screw, for 249702
457E	14987	Feed Driving Gear (intermediate) Set Screw, for 249847
457C	14987	Stop Cam Spring Stop Screw Block Set Screw, for 249713
458C	14987	Cord Rotating Tripping Cam Set Screw, for 262009
458C	14987	Feed Driving Gear (intermediate) Pinion Shaft Collar Set Screw, for 249745
460C	14958	Feed Hand Ratchet Wheel Set Screw, for 39924
460C	14958	Thread Guide (side of arm)(lower) Set Screw
460C	14958	Thread Guiding Stud (side of arm) Set Screw
462C	14965	Shuttle Driver Set Screw, for 23505
462C	14965	Thread Retainer Stud Set Screw, for 39712
564C	14965	Starting Lever Screw Center, for 58384
591F	14965	Shuttle Tension Regulating Screw, for 40112
592E	14965	Shuttle Bobbin Case Latch Stop Screw, for 40112
625F	14953	Clamp Arm Adjusting Screw

## NUMERICAL LIST OF PARTS

No.	Plate	Name
641C	14967	Tension (side of arm) Releaser Lever Set Screw, for 40051
646F	15037	Feed Wheel Tripping Lever Screw Stud, for 249913
662D	14965	Shuttle Race Cap Screw, for 249929
673F	14963	Needle Bar Frame Screw Center
679C	13553	Tension (side of arm) Releaser Shaft Crank Ball Screw Stud
690E	14955	Clamp Lifting Arm Connection Guide Plate Screw
690D	14955	Clamp Lifting Arm Connection Lock Trip Lever Pinch Screw, for 249760
704E	14982	Barring Slide Stop Attaching Screw
704C	14982	Clamp Lifting Arm Connection Screw, for 249866
717C	14965	Starting Lever Adjusting Screw
717C	14965	Tension (side of arm) Releaser Lever Stop Screw
748E	14950	Arm Screw (back)
756E	14950	Belt Shifter Trip Point Screw, for 249869
756D	14950	Clamp Carrier Guide (left) Screw (long), for 39720
766D	14965	Sewing Safety Lock Pitman Hinge Screw (front)
771D	15046	Knife Grinder Knife Holder Thumb Screw, for 39898
793D	4083	Knife Grinder Knife Holding Spring Thumb Screw, for 39898
794E	14993	Needle Bar Connecting Link Adjusting Screw, for 23476
805C	15028	Knife Bar Driving Lever Spring Screw
858C	15028	Needle Bar Crank Set Screw, for 23477
858C	15028	Table Belt Guide Pulley Shaft Oil Hole Plug Screw, for 39708
868E	14950	Arm Screw (front)
871C	14996	Cord Rotating Gear Slide Sleeve Slide Rod Connection Handle Screw
871C	14996	Stop Cam Spring Stop Screw
896E	14958	Crank Connecting Rod Cap Screw, for 24028
898C	14950	Barring Slide Stop Screw (adjustable)
904F	14963	Needle Set Screw, for 39857
907E	14965	Shuttle Race Back Spring Screw, for 249929
908C	14958	Crank Connecting Rod Hinge Screw
913C	14996	Stop Cam Interlocking Rod Spring Regulating Thumb Screw
914F	13551	Clamp Carrier Slide Guide Screw
940F	14998	" Lifting Arm Connection Lock Hinge Screw

## NUMERICAL LIST OF PARTS

No.	Plate	Name
940F	14998	Tension (top cover) Releasing Lever Connection Screw (front)
966D	14967	Tension (side of arm) Releaser Lever Shaft Bracket Screw
974F	14998	Tension (top cover) Releasing Lever Connection Screw (back)
996E	15044	Thread (lower) Cutting Lever Extension Spring Screw Stud
999F	14998	Tension (top cover) Releaser Holder Hinge Screw
1021E	14993	Needle Bar Connecting Link Cap Screw
1035C	14965	Oscillating Shaft Crank Slide Block Screw Stud, for 24050
1036C	15044	Thread Take-up Crank Position Screw, for 23477
1038C	14993	Needle Bar Frame Regulator Adjusting Screw
1042C	14993	Needle Bar Frame Pitman Hinge Screw
1043C	13553	Tension (side of arm) Screw Stud
1064D	13556	Treadle Chain Guide Pulley Screw, for 39572
1065C	14963	Needle Bar Crank Position Screw, for 23477
1069D	14950	Arm Shaft Screw
1070C	14996	Stop Cam Interlocking Rod Guide Set Screw, for 249709
1094F	14963	Knife Screw
1143E	14961	Intermittent Feed Wheel Driving Roller Stud Set Screw, for 249887
1149C	14993	Needle Bar Frame Driving Gear (intermediate) Stud Set Screw, for 249669
1178C	14987	Feed Driving Gear (intermediate) Bracket Position Lever Clamping Screw
1200C	14958	Cord Rotating Gear Slide Sleeve Slide Rod Connection Hinge Screw
1230F	14953	Clamp Carrier Guide (right) Screw
1231F	14953	" " Plate Screw (back)
1232C	13551	" " Regulator Hinge Screw
1234C	13551	" " Slide Regulating Stud
1235F	14950	Bed Oil Guard Screw
1235F	14950	Clamp Plate Screw
1238F	13556	Guide Screw
1239D	14961	Knife Bar Connecting Link Hinge Cap Screw
1240C	14961	Knife Bar Connecting Link Hinge Screw
1241E	14957	Cord Rotating Gear Slide Connecting Spring Screw Eye (front)
1241E	14957	Knife Bar Disengaging Lever Catch Spring Screw Stud

350220

## NUMERICAL LIST OF PARTS

No.	Plate	Name
1241E	14957	Tension (side of arm) Releaser Lever Spring Screw Stud
1241E	14957	Thread (lower) Cutting Blade Carrier Lever Spring Screw Stud
1242E	14961	Knife Bar Disengaging Lever Screw Stud, for 249656
1242E	14961	Knife Bar Disengaging Lever Spring Screw for 249658
1243C	15028	Knife Holder Guide Stud
1253C	14963	Oscillating Shaft Crank Set Screw, for 39658
1256D	13551	Clamp Carrier Slide Screw
1258C	15044	Thread Take-up Crank Set Screw, for 23477
1294C	14955	Clamp Spring Bushing Position Stud
1296C	13553	" Check Hinge Screw (back)
1297F	13553	" " Holder Screw
1319F	14961	Knife Bar Connecting Stud Clamping Screw for 23462
1329D	14957	Cord Rotating Gear Gib Screw
1330C	14982	Barring Lever Spring Screw Stud
1341C	14993	Needle Bar Connecting Stud Set Screw, for 39601
1345D	14987	Clamp Carrier Guide (left) Screw (short) for 39720
1350C	15044	Thread (lower) Pull-off Finger Hinge Screw
1351C	15044	Thread (lower) Cutting Lever Ball Screw
1352C	14967	Tension (side of arm) Releaser Lever Lock Pin Screw Bushing
1387C	14998	Tension (top cover) Releaser Guide Screw Stud
1388C	14998	Tension (top cover) Screw Stud
1396E	14961	Intermittent Feed Wheel Driving Bevel Gear Bracket Screw
1428C	14961	Knife Bar Driving Lever Screw Stud
1449H	15037	Feed Hand Ratchet Lever Pawl Spring Screw, for 249914
1469C	14967	Tension (side of arm) Releaser Lever Stop Screw Stud
1478C	14982	Barring Lever Hinge Screw
1508E	14965	Starting Lever Screw Center Nut, for 58384
1517J	14963	Needle Bar Frame Screw Center Nut
1518J	14967	Starting Lever Stop Screw Nut
1520J	14987	Clamp Carrier Regulator Roller and Screw Stud Nut, for 1960
1520J	14987	Clamp Carrier Slide Lever Roller and Screw Stud Nut, for 1960
1520J	14987	Clamp Lifting Arm Connection Hinge Screw Nut

## NUMERICAL LIST OF PARTS

No.	Plate	Name
1520E	14987	Cord Rotating Sector Hinge Screw Nut
1520J	14987	Knife Bar Driving Lever Screw Stud Nut
1520J	14987	Starting Lever Adjusting Screw Nut
1520J	14987	Tension (side of arm) Releaser Lever Stop Screw Nut
1520J	14987	Tension (side of arm) Releaser Shaft Crank Ball Screw Stud Nut
1520J	14987	Thread (lower) Cutting Blade Carrier Lever Stop Screw Nut
1520J	14987	Thread (lower) Cutting Lever Ball Screw Nut
1521E	14998	Cord Rotating Gear Slide Sleeve Slide Rod Nut
1521E	14998	Tension (top cover) Releaser Guide Screw Stud Nut
1521E	14998	Thread (lower) Cutting Lever Extension Hinge Screw Nut
1547J	14953	Clamp Arm Adjusting Screw Nut
1547J	14953	Cord Rotating Sector Catch Stop Screw Nut
1547J	14953	Knife Bar Disengaging Lever Catch Hinge Screw Nut
1547J	14953	Knife Holder Screw Nut
1547J	14953	Needle Bar Frame Pitman Hinge Screw Nut
1550J	14955	Clamp Spring Bushing Position Stud Nut
1560C	14967	Tension (side of arm) Regulating Thumb Nut
1560C	14967	Tension (top cover) Regulating Thumb Nut
1562J	4024	Bobbin Winder Tension Regulating Thumb Nut, for 5989
1562J	4024	Cord Tension Thumb Nut
1607E	14982	Barring Slide Operating Plate Adjusting Screw Nut
1608C	15028	Knife Holder Guide Stud Nut
1619E	14958	Crank Connecting Rod Hinge Screw Nut
1620J	14958	Bobbin Winder Frame Hinge Screw Nut, for 249939
1620J	14958	Bobbin Winder Thread Leader Lock Nut, for 249697
1620E	14958	Feed Wheel Tripping Lever Hinge Screw Nut
1636E	14963	Oscillating Shaft Crank Slide Block Screw Stud Nut, for 39658
1638E	14996	Stop Cam Interlocking Rod Spring Regulating Thumb Screw Nut
1658C	13551	Clamp Carrier Slide Regulating Stud Thumb Nut
1659C	14955	Clamp Pressure Regulating Thumb Nut
1664E	13551	Tension (top cover) Screw Stud Nut

## NUMERICAL LIST OF PARTS

No.	Plate	Name
1664E	13551	Thread Retainer Holder Nut, for 39714
1671C	13551	Clamp Carrier Regulator Stud Nut
1698C	14993	Needle Bar Frame Regulator Adjusting Screw Nut
1901	14955	Clamp Lifting Arm Connection Roller and Screw Stud with 229D and 12424
1959	15028	Knife Bar Driving Lever (intermediate) Roller and Screw Stud with 229D and 12424, for 249709
1960	13551	Clamp Carrier Regulator Roller and Screw Stud with 1520J, for 249960
1960	13551	Clamp Carrier Slide Lever Roller and Screw Stud with 1520J, for 249625
1963	14961	Knife Bar Disengaging Lever Catch Roller and Stud, for 249657
2102	14967	Tension (side of arm) Disc
2103	13556	" (top cover) Spring
2117	14967	" (side of arm) Releaser Lever Pin
2269	14950	Belt Shifter Shaft Guide Collar Position Pin
2269	14950	Shuttle Driver Pin
2269	14950	Tension (side of arm) Releaser Shaft Crank Pin
2455	4024	Bobbin Winder Tension Disc, for 5989
2455	4024	Cord Tension Disc
2523	14965	Shuttle Bobbin Case Position Finger Rivet, for 40112
2532	14965	Shuttle Race Back Position Pin, for 249929
2533	14962	Shuttle Race Back Spring, for 249929
2973	14965	" Bobbin Case Latch Lever, for 15141
2974	14965	Shuttle Bobbin Case Latch Lever Fulcrum Pin, for 15141
2975	14965	Shuttle Bobbin Case Latch Spring, for 40112
3012	14958	Feed Hand Ratchet Wheel Pin
4784	-----	Oscillating Rock Shaft Oil Pad, for 39654
4784	-----	Thread Take-up Lever Oil Pad, for 39794
5989	-----	Bobbin Winder Tension complete, Nos. 418D, 1562J, 10141 and two 2455, for 249697
7070	14963	Needle Bar Frame Regulator Adjusting Screw Sleeve
7071	14958	Bobbin Winder Stop Latch Spring Screw Washer, for 249939
7071	14958	Cord Rotating Sector Adjustable Catch Notch Gib Screw Washer, for 39856

No.	Plate	Name
7071	14958	Needle Bar Frame Pitman Adjusting Screw Washer, for 23611
7278	13551	Clamp Carrier Slide Lever Socket Joint
7328	14962	Shuttle Race Cap, for 249929
8238	13553	Tension (side of arm) Spring
8582	14950	Arm Dowel Pin
8582	14950	Starting Lever Bracket Dowel Pin
9525	4083	Knife Grinder Knife Holder Thumb Screw Washer, for 39898
10141	4024	Bobbin Winder Tension Spring, for 5989
10145	4024	" " " Thread Guide, for 249697
10249	4083	Bobbin Winder Stop Latch Spring, for 249939
10249	4083	Knife Grinder Knife Holder Slide Bracket Adjusting Screw Tension Spring, for 39898
11831	15048	Screw Driver (5 in. blade)(machine, large)
12166	13556	Thread Take-up Lever Hinge Pin, for 23525
12400	15044	Thread Retainer Sleeve, for 39714
12402	15044	" " Stud, for 39714
12424	14955	Clamp Lifting Arm Connection Roller Cap Screw Washer, for 1901
12424	14955	Knife Bar Driving Lever (intermediate) Roller Cap Screw Washer, for 1959
12424	14955	Oscillating Shaft Crank Slide Block Cap Screw Washer, for 24050
12538	14967	Tension (side of arm) Releaser Arm Pin
12546	14961	Intermittent Feed Wheel Position Pin
12546	14961	Needle Vibrating Gear Position Pin
14010	4024	Bed Frame Hinge Plate Rivet, for 249721
14229	13554	Table Belt Guide Bracket with 448C, for 39709 and 39716
14368	13554	Treadle, for 14370
14369	13554	" Stand, for 14370
14370	13554	Treadle complete, Nos. 14368, 14369, 17881 and two wood screws 1-1/4 in., No. 12
15072	4024	Bobbin Winder Bobbin Position Pin, for 27538
15140	14965	Shuttle Bobbin Case Latch, for 15141
15141	-----	" " " Hinge, Nos. 2973, 2974 and 15140, for 40112
15278	14965	Shuttle Tension Spring, for 40112
16555	4024	Bed Frame Hinge Plate, for 249721
17881	15037	Treadle Shaft, for 14370
18859	14957	Cord Guide
19226	4024	Bed Frame Hinge Connection, for 19398
19397	4024	" " " " Cap, for 19398

No.	Plate	Name
19398	-----	Bed Frame Hinge Connection 19226 with 211E and 19397, for 249721
19448	14963	Oscillating Shaft Crank Slide Block, for 24050
21651	14996	Stop Cam Interlocking Rod Spring
21654	15048	Wrench
23380	14953	Clamp Arm Hinge Block Pin
23384	14953	" Carrier Connecting Rod
23389	14961	Intermittent Feed Wheel Driving Roller Cap Screw Washer, for 201996
23390	15028	Clamp Lifting Arm Connection Screw Washer, for 249866
23392	13551	Clamp Carrier Slide Guide (left)
23393	13551	" " " " (right)
23395	14987	" " " Lever Regulator
23396	13551	" " " " " Cap
23397	13551	" " " Regulating Stud Bushing
23414	13553	Feed Hand Ratchet Lever Collar with two 453C
23421	-----	Oscillating Rock Shaft Hinge Pin Oil Hole Plug (leather), for 23494
23435	14958	Feed Wheel Tripping Lever Spring
23460	14964	Knife Bar
23461	14961	" " Connecting Link
23462	14961	" " " Stud with 1319F
23466	14961	" " Disengaging Lever Catch Tripping Point, for 249869
23471	14963	Knife Bar Driving Lever (intermediate) Connecting Link
23476	14993	Needle Bar Connecting Link with 794E
23477	14964	" " Crank with 858C, 1036C, 1065C and 1258C
23494	14966	Oscillating Rock Shaft Hinge Pin with 23421, for 39654
23500	14965	Shuttle Bobbin
23505	14962	" Driver with 462C
23511	14992	Starting Lever Rod
23519	14967	Tension (side of arm) Releaser with 200F
23523	15044	Thread Take-up Crank
23524	13556	" " Lever, for 23525
23525	-----	Thread Take-up Lever complete, Nos. 12166, 23524 and 23543
23527	-----	Drip Pan with two wood screws 1/2 in., No. 5, R.H.B.
23535	15048	Wrench
23536	13554	Table Belt Guide with two 168E, for 39709 and 39716



No.	Plate	Name
39768	14957	Cord Leading Bracket Dowel Pin
39770	14957	" " Eye (double)
39772	14957	" Rotating Gear Gib (front)
39773	14957	" " " " (back)
39775	14958	" " Sector Catch
39776	14958	" " " " Connection
39777	14958	" " " " Collar
		with two 219F
39778	14958	Cord Rotating Sector Catch Spring
39780	14957	" " Gear Slide
39781	14957	" " " " Block
39784	14958	" " " " Sleeve Spring
39788	14957	" " " " Connecting Spring
39789	14958	Cord Tension Spring
39790	14958	" Take-up Spring
39794	14964	Needle Bar Frame with 4784
39795	-----	Knife, 7/8 inch
39796	14961	" Holder
39797	14967	Tension (side of arm) Releaser Shaft
39798	13552	" " " " " "
		Crank
39799	-----	Knife, 3/8 inch
39800	-----	" 1/2 inch
39801	-----	" 5/8 inch
39824	13553	Clamp Check Adjusting Plate
39825	13553	" " Holder
39829	14961	Knife, 3/4 inch
39830	-----	" 1 inch
39831	-----	" 9/16 inch
39832	14958	Cord Rotating Sector Adjustable Catch Notch Gib, for 39856
39833	13553	Clamp Check
39840	-----	Knife, 7/16 inch
39841	-----	" 11/16 inch
		Nos. 39852 to 39854, for 39905
39852	14957	Cord Leading Finger (lower)
39853	14957	" " " " Screw Washer
39854	14957	" " " " (upper)
39855	14957	" Rotating Gear
39856	14956	" " Sector with 7071, 39832 and 201321C
39857	14964	Needle Bar with 904F
39882	14953	Belt Shifter Stop Washer (rawhide)
		Nos. 39886 to 39897, for 39898
39886	-----	Knife Grinder Emery Wheel, 4 in. diameter
39887	4083	" " " " Driving Shaft
39888	4083	" " " " " "
		Oil Hole Cover
39889	-----	Knife Grinder Frame

No.	Plate	Name
39890	4086	Knife Grinder Knife Holder (adjustable)
39891	4083	" " " " Indicator
39892	4086	" " " " Slide Bracket
		with 200386C
39893	4086	Knife Grinder Knife Holder Slide Bracket Adjusting Screw Slide Plate
39894	4086	Knife Grinder Knife Holder Slide Bracket Shaft
39895	4083	Knife Grinder Knife Holding Spring
39896	4083	" " " " Bracket
39897	4083	" " " Stop (adjustable)
39898	-----	Knife Grinder complete, Nos. 57C, 176D, 208D, 219F, 771D, 793D, 952E, 10249, 39886 to 39897, 200165H, 201298C, 201510D, 203094, 2041C1, 206963, 350068E, two each 200577H, 204264, 206232, 206969 and three wood screws 1-1/4 in., No. 12
39899	14956	Cord Leading Bracket
39905	-----	Cord Leading Finger complete, Nos. 39852 to 39854 and 350067D
39912	4083	Splash Guard Hinge, for 249723
39924	14959	Feed Hand Ratchet Wheel with 460C
39950	13556	Thread Take-up Spring Regulator with 350060C
39969	14962	Shuttle Race Back, for 249929
39988	-----	Stop Cam Interlocking Rod Guide Washer (rawhide)
40003Y	14987	Clamp Arm Bracket Guide (left)
40004Y	14987	" " " " (right)
40006	14987	" Carrier Block with 40007 and four 404D
40007	14987	Clamp Carrier Block Plate, for 40006
40013	13556	Guide
40016Y	14955	Clamp Lifting Arm Connection Roller and Screw Stud Bracket
40020Y	14951	Clamp Plate
40025	14987	Feed Driving Gear Position Pin
40025	14987	Intermittent Feed Wheel Driving Bevel Pinion Position Pin
40025	14987	Pulley (tight) Pin
40028	14962	Shuttle Body
40033Y	13552	Tension (side of arm) Releaser Arm with 50128E
40035	13551	Thread (lower) Cutting Blade
40036	13555	" " " " Carrier with 40038
40037	13555	Thread (lower) Cutting Blade Carrier Lever
40038	15044	Thread (lower) Cutting Blade Carrier Stud, for 40036



No.	Plate	Name
204264	15046	Knife Grinder Knife Holding Spring Position Pin, for 39898
205634	15028	Knife Bar Driving Lever (intermediate) Hinge Screw Stud Washer
206232	15046	Knife Grinder Knife Holder Slide Bracket Shaft Collar with 201052C, for 39898
206963	15046	Knife Grinder Emery Wheel Driving Shaft Pulley with two 200403C, for 39898
206969	-----	Knife Grinder Emery Wheel Washer (paper) for 39898
213949	14958	Cord Rotating Sector Hinge Screw Washer
222598	-----	Thread Take-up Lever Link Hinge Pin Oil Packing (wick), for 249915
225257	15815	Thread Unwinder Spool Rest (for two spools)(flat) with 201018C, for 259143
225259	15815	Thread Unwinder Spool Rest (for one spool)(flat) with 201018C, for 259143
225322	15037	Thread Unwinder Thread Guide Rod Washer, for 225324
225324	15815	Thread Unwinder Thread Guide Rod with 208E and 225322, for 259143
225326	15037	Thread Unwinder Thread Guide Position Cup, for 259143
225377	15815	Spool Wire, for small spools
225388	15815	Thread Unwinder Spool Rest Rod, for 259143
225391	15815	Thread Unwinder Thread Guide, for 259143
*225483	-----	Screw Driver Handle, for 250522
232065	14955	Clamp Lifting Arm Connection Lock Spring
232131	14987	Feed Driving Gear (intermediate) Bracket Position Lever Clamping Screw Washer
232382	15037	Feed Hand Ratchet Lever Pawl Spring Pin, for 249907
232719	14987	Feed Driving Gear (intermediate) Position Pin
235356	14993	Needle Bar Frame Driving Gear (intermediate) Pin, for 249671
238089	14961	Knife Bar Disengaging Lever Catch Bracket Position Pin, for 249658
249534	15044	Thread (lower) Cutting Blade Carrier Lever Spring
249544	15028	Knife Bar Stop
249545	15028	" " Retainer Plate
249546	14962	Shuttle Bobbin Case Position Plate, for 249929
249602	14951	Arm Shaft
249604	14951	" Top Cover (left)

No.	Plate	Name
249605	14951	Arm Top Cover (right)
249606	14952	Barring Lever
249607	14982	" " Spring
249610	14982	" Point
249611	14982	" Shaft with 452C
249612	14982	" " Guard
249613	14982	" Slide
249614	14982	" " Operating Plate (stationary)
249615	14982	Barring Slide Operating Rod
249616	14982	" " " " Stud
249619	14982	" " Stop
*249620	-----	Bed
249622	14952	Arm Shaft Flanged Bushing (back)
249625	14952	Clamp Carrier Slide Lever with 1960
249639	13554	Feed Wheel Shaft
249640	14959	" " Tripping Lever
249641	14958	" " Point, for 262011
249642	14959	Intermittent Feed Wheel with two 350249E
249644	14959	Intermittent Feed Wheel Driving Bevel Gear Bracket
249645	14959	Intermittent Feed Wheel Driving Bevel Pinion with two 453C
249646	14959	Intermittent Feed Wheel Shaft
249656	14964	Knife Bar Disengaging Lever with 1242E
249657	14964	" " " " Catch with 1963
249658	14964	Knife Bar Disengaging Lever Catch Bracket with 1242E and 238089
249659	14961	Knife Bar Disengaging Lever Catch Spring
249660	14961	" " " " Spring
249661	13554	" " Driving Lever
249662	13554	" " " (intermediate)
249666	14964	Needle Bar Frame Connection
249667	14993	" " " Driving Gear
249668	15028	" " " Regulator Hinge Stud
249669	14964	" " " Driving Gear (intermediate) Bracket with 1149C
249670	14993	Needle Bar Frame Driving Gear (intermediate) Stud
249671	14993	Needle Bar Frame Driving Gear (intermediate)(large) with 235356
249672	14993	Needle Bar Frame Driving Gear (intermediate)(small)
249673	14993	Needle Bar Frame Regulator
249674	14966	" Vibrating Gear with two 350249E
249675	-----	Stitch Regulating Gear, 18 teeth
249677	-----	" " " 20 teeth
249679	-----	" " " 24 teeth

## NUMERICAL LIST OF PARTS

No.	Plate	Name
249682	-----	Stitch Regulating Gear, 30 teeth
249685	14998	Tension (top cover) Releaser
249686	14998	" " " " Holder with 201F
249687	14998	Tension (top cover) Releaser Rod
249688	14998	" " " " Releasing Lever Connection
249693	15028	Bobbin Winder Thread Leader, for 249697
249696	15050	" " " " Tension Bracket with 452C, for 249697
249697	-----	Bobbin Winder Tension Bracket complete, Nos. 1620J, 5989, 10145, 27922, 249693 and 249696
249702	14966	Pulley (tight) with 454C
249703	13554	Starting Lever
249704	13554	" " " " Bracket
249705	14996	Stop Cam with two 202330
249706	14992	" " " " Gear
249707	14992	" " " " Guard
249708	14992	" " " " Stud
249709	13555	" " " " Interlocking Rod Guide with 1070C and 1959
249711	14992	Stop Cam Spring Cover
249713	14996	" " " " Stop Screw Block with 457C Nos. 249714 to 249716, for 249939
249714	15050	Bobbin Winder Base with 27916 and two 28064
249715	15050	Bobbin Winder Frame
249716	15037	" " " " Spring
249721	-----	Bed Frame with two each 16555, 19398, four each 158E, 24106, six 14010 and four wood screws 1-1/4 in., No. 12, for 249723
249722	-----	Splash Guard with 201655J, for 249723
249723	-----	Bed Frame and Splash Guard complete, Nos. 249721, 249722, two 39912 and eight 200574E
249725	-----	Stitch Regulating Gear, 36 teeth
249727	13552	" " " " 40 teeth
249731	14966	Sewing Safety Lock Pitman (front sec- tion), for 249764
249732	14966	Sewing Safety Lock Pitman (rear section) for 249764
249737	15028	Knife Bar Spring
249739	14996	Stitch Regulating Gear Pin
249740	14962	Barring Slide Operating Plate (adjust- able)
249741	14992	Stop Cam Interlocking Rod
249742	14996	" " " " Spring

## NUMERICAL LIST OF PARTS

No.	Plate	Name
249744	-----	Stitch Regulating Gear, 45 teeth
249745	14959	Feed Driving Gear (intermediate) Pinion Shaft Collar with two 458C
249746	15048	Screw Driver, for Needle Bar Connecting Stud Set Screw
249759	13551	Clamp Lifting Arm Connection (lower section), for 249866
249760	14956	Clamp Lifting Arm Connection Lock Trip Lever with 690D
249764	-----	Sewing Safety Lock Pitman complete, Nos. 249731, 249732 and two 203E
249789	13555	Gauge Chain and Ring, for 262026
249800	14998	Tension (top cover) Releaser Rod Spring
249804	14950	Barring Plate
249809	14963	Oscillating Shaft Bushing (front) Oil Tube (brass)
249820	15048	Wrench
249831	13555	Thread (lower) Cutting Lever
249843	14967	Tension (side of arm) Releaser Lever Spring
249844	14987	Feed Driving Gear (intermediate) Pinion Shaft Eccentric Bushing Position Plate
249845	15044	Thread (lower) Pull-off Finger
249846	14956	Feed Driving Gear with two 448C
249847	14956	" " " " (intermediate) with two 457E
249848	14956	Feed Driving Gear (intermediate) Pinion Shaft
249849	14959	Feed Driving Gear (intermediate) Pinion Shaft Eccentric Bushing
249850	14951	Feed Driving Gear (intermediate) Brack- et
249853	14950	Belt Shifter with 350287C
249854	14950	" " " " Operating Collar with 350329C
249855	14950	Belt Shifter Operating Rod
249856	14952	" " " " Shaft
249857	14952	" " " " Bracket
249858	14952	" " " " " " Extension with 51047E
249860	14953	Belt Shifter Shaft Bracket Stop
249861	14953	" " " " Guide Collar with 237F
249862	14950	Belt Shifter Shaft Spring
249863	14953	" " " " Trip Point, for 249869
249864	14953	" " " " Stud
249865	13551	Clamp Lifting Arm Connection (upper section), for 249866

## NUMERICAL LIST OF PARTS

No.	Plate	Name
249866	-----	Clamp Lifting Arm Connection complete, Nos.704C,23390,249759 and 249865
249867	14955	Clamp Lifting Arm Connection Lock
249868	14958	Feed Wheel Tripping Lever Point
249869	14964	Knife Bar Disengaging Lever Catch Tripping Point Collar with 175E,756E, 23466,249863 and two 448C
249871	13555	Thread (lower) Cutting Lever Extension
249880	13552	Tension (side of arm) Releaser Lever Shaft
249883	14950	Bed Oil Guard Oil Tube (brass),for 262002
249887	14959	Intermittent Feed Wheel Driving Bevel Gear with two 1143E
249888	14961	Intermittent Feed Wheel Driving Roller Stud,for 201996 Nos.249890 to 249892,for 249893
*249890	-----	Pulley (loose) with 200584D
249891	14963	" " Ball Bearing
249892	14963	" " Bushing
249893	14966	Pulley (loose)(ball bearing) complete, Nos.249890 to 249892
249895	14952	Clamp Carrier Regulator Slide
249904	14956	Feed Driving Gear (intermediate) Bracket Position Lever,for 249913 Nos.249905 to 249907,for 249914
249905	14959	Feed Hand Ratchet Lever
249906	14959	" " " " Extension Handle
249907	15037	" " " " Pawl with 232382 Nos.249909 to 249912,for 249913
249909	15037	Stitch Regulating Gear Disengaging Slide
249910	15037	" " " " " "
		Bracket
249911	15037	Stitch Regulating Gear Disengaging Slide Bracket Support Washer
249912	15037	Stitch Regulating Gear Spring
249913	-----	Feed Hand Ratchet Device complete,Nos. 95C,158E,646F,50416C,201721C,249904, 249909 to 249912,249914,249922,249923 250444,350329C,350337C and two 99C
249914	-----	Feed Hand Ratchet Lever complete,Nos. 90D,160H,1449H,249905 to 249907 and 250058,for 249913
249915	13556	Thread Take-up Lever Link Hinge Pin with 222598
249916	15044	Thread (lower) Cutting Lever Extension Spring
249922	13552	Stop Lever,for 249913
249923	13552	Stitch Regulating Gear Disengaging Lever,for 249913

## NUMERICAL LIST OF PARTS

No.	Plate	Name
249924	14962	Shuttle Race,for 249929 Nos.249926 to 249928, for 249929
249926	14962	Shuttle Race Plate
249927	14965	" " Position Pin
249928	-----	" " Oil Packing (felt)
249929	14962	Shuttle Race complete,Nos.907E,2533, 7326,39969,249546,249924,249926, two each 399D,662D,2532,249927,249928 and three 203E
249938	15050	Bobbin Winder Stop Latch,for 249939
249939	15050	Bobbin Winder complete,Nos.35D,203E, 1620J,7071,10249,27538,27918,50356D, 249714 to 249716 and 249938
249955	14951	Clamp Arm Bracket with 196F
249956	14953	" " Hinge Block
249957	14951	" Carrier
249958	14951	" " Guard
249959	14951	" " Plate
249960	14951	" " Regulator with 240D,1960 and 39583
249963	14955	Clamp Lifting Arm Connection Lock Stop Plate
249964	14956	Clamp Plate Support
249979	15044	Thread (upper) Cutting Lock (lower section),for 249981
249980	15044	Thread (upper) Cutting Lock (upper section),for 249981
249981	-----	Thread (upper) Cutting Lock complete, Nos.249979,249980 and two 203E
250058	15037	Feed Hand Ratchet Lever Pawl Spring,for 249914
250397	14993	Needle Bar Frame Driving Gear (intermediate) Bracket Position Pin
250444	15037	Feed Wheel Tripping Lever Screw Stud Washer,for 249913
*250521	-----	Screw Driver Blade,for 250522
250522	15048	Screw Driver (for needle set screw) complete,Nos.225483 and 250521
255513	15049	Tweezers
255540	15048	Wrench
255541	15048	"
259143	15815	Thread Unwinder (for three spools) complete,Nos.201696J,202490,225257, 225259,225324,225326,225388, three each 150203,225391 and wood screws 7/8 in.,No.12
*262001	-----	Arm with 24081
262002	14951	Bed Oil Guard with 249883
262003	14952	Clamp Lifting Arm Connection Guide Plate

## NUMERICAL LIST OF PARTS

No.	Plate	Name
262004	14957	Cord Rotating Gear Slide Connecting Spring Plate
262005	14957	Cord Rotating Gear Slide Extension
262006	14957	" " " " Sleeve
262007	14957	" " " " " Slide Rod
262008	14957	Cord Rotating Gear Slide Sleeve Slide Rod Connection
262009	14956	Cord Rotating Tripping Cam with two 458C
262010	14951	Face Plate
262011	13554	Feed Wheel with 249641 and two 220D
262013	14963	Needle Plate
262014	14966	Sewing Safety Lock
262015	15044	Thread (lower) Cutting Blade Friction Plate
262026	13555	Gauge, for 3/8 to 1/4 in., for setting length of buttonhole, with 200137H and 249789
350060C	13553	Tension (side of arm) Screw Stud Set Screw, for 39950
350067D	14957	Cord Leading Finger (lower) Screw, for 39905
350068E	15037	Knife Grinder Emery Wheel Driving Shaft Oil Hole Cover Screw, for 39898
350076C	14987	Clamp Carrier Regulator Stud (to regulate length of buttonhole)
350229E	14982	Barring Plate Screw
350230C	14961	Intermittent Feed Wheel Driving Bevel Gear Cap Screw
350235D	14965	Sewing Safety Lock Pitman Hinge Screw (back)
350237C	14958	Feed Wheel Tripping Lever Hinge Screw
350243C	15028	Knife Bar Driving Lever (intermediate) Hinge Screw Stud
350246C	15044	Thread (lower) Cutting Lever Extension Hinge Screw
350249E	14961	Intermittent Feed Wheel Position Screw, for 249642
350249E	14961	Needle Vibrating Gear Position Screw, for 249674
350251C	14963	Needle Bar Frame Connection Hinge Screw
350253C	14982	Barring Slide Operating Plate Adjusting Screw
350254F	14993	Needle Bar Frame Connection Cap Screw
350281C	15028	Knife Bar Driving Lever Hinge Screw
350287C	14953	Belt Shifter Operating Rod Set Screw, for 249853
350287C	14953	Belt Shifter Set Screw
350288C	14953	" " Shaft Bracket Hinge Screw

## NUMERICAL LIST OF PARTS

No.	Plate	Name
350329C	14950	Belt Shifter Operating Collar Set Screw, for 249854 and 249913
350337C	15037	Stitch Regulating Gear Disengaging Lever Hinge Screw, for 249913
350338E	14953	Belt Shifter Shaft Bracket Spring Screw Stud (lower)
350339E	14953	Belt Shifter Shaft Bracket Spring Screw Stud (upper)
350342D	14958	Cord Rotating Sector Hinge Screw (eccentric)

Genuine Singer Needles should be used in Singer Machines. These Needles and their Containers are marked with the Company's Trade Mark "SIMANCO." 1

Needles in Containers marked "For Singer Machines" are not Singer made needles. 2

Genuine Singer Needles should be used  
in Singer Machines.  
These Needles and their Containers  
are marked with the  
Company's Trade Mark "SIMANCO." 1

Needles in Containers marked  
"For Singer Machines"  
are not Singer made needles. 2

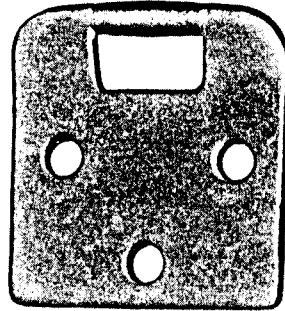
## ILLUSTRATIONS OF PARTS

FOR

MACHINE No. 71-113

PLATE 4024 - FULL SIZE

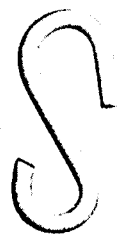
16555



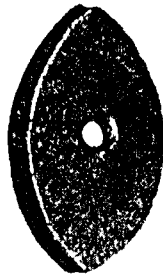
39575



39576



24106



19226



28084



23551



LISTINGS OF PARTS

FOR

Needle in Case No. 113

MACHINE NO. 11-113

10145



41515



27916



19397



2455



14010



418



286



27917



10141



1562



211



157



PLATE 4083 - FULL SIZE

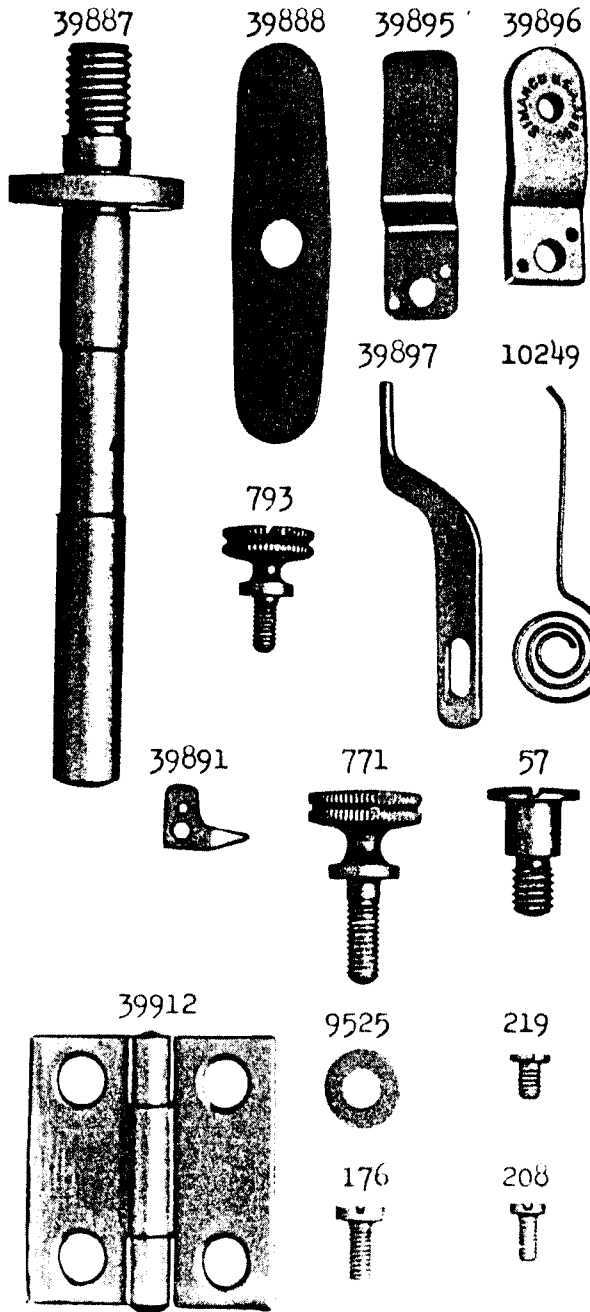


PLATE 4086 - ONE-HALF SIZE

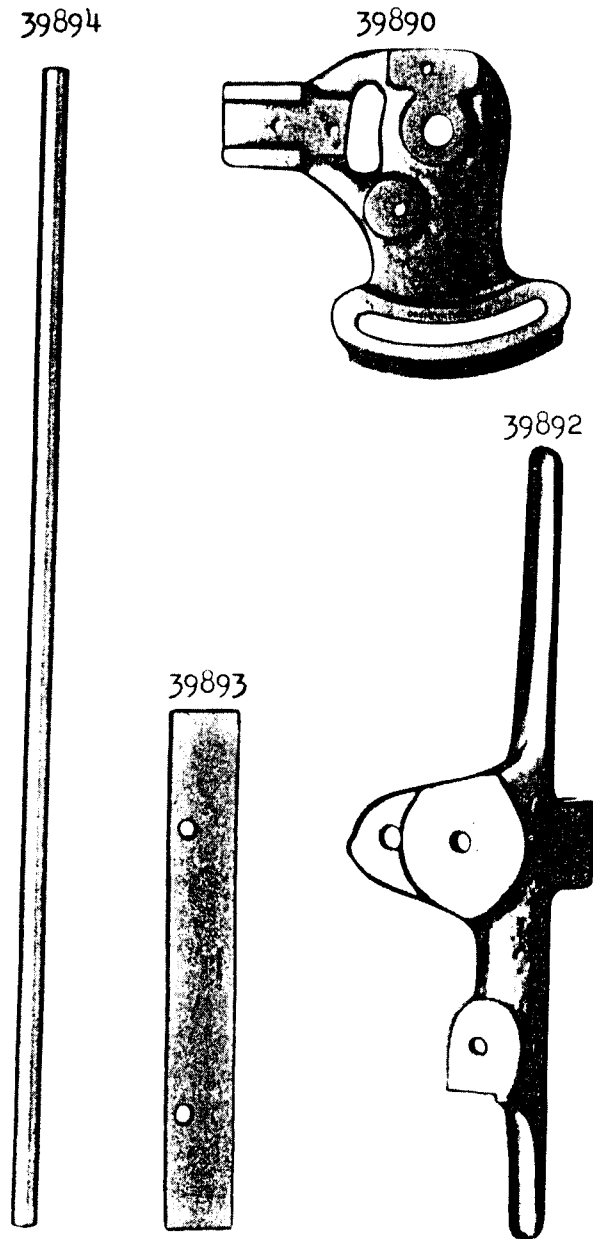
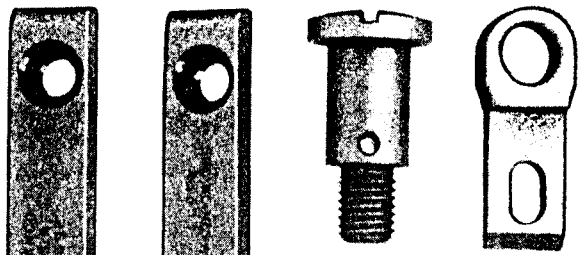
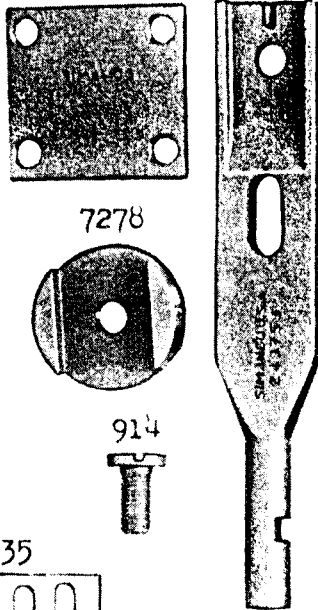


PLATE 13551 - FULL SIZE

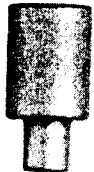
23392      23393      1332      249865



23396      249759



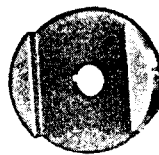
23397



1256



7278



1658



39532



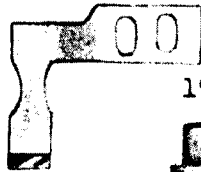
914



1234



40035



1960



67



1664



32



106

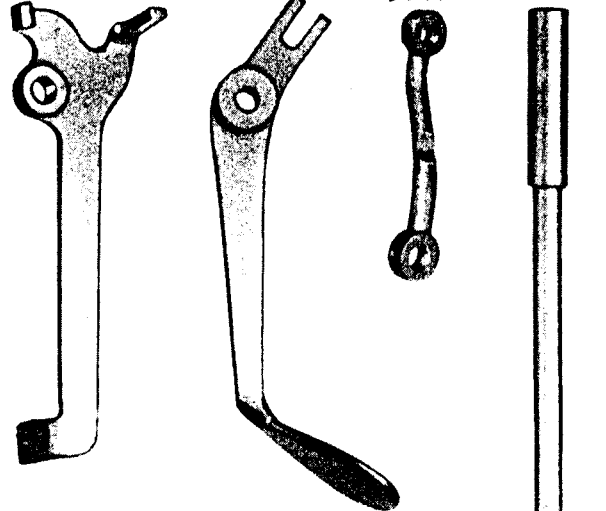


1671

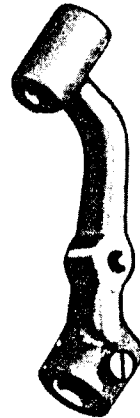


PLATE 13552 - ONE-HALF SIZE

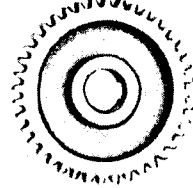
249922      249923      39798      249880



40051



249727



40033



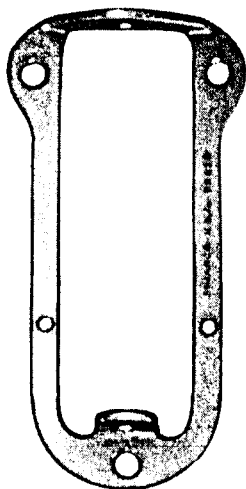
40067



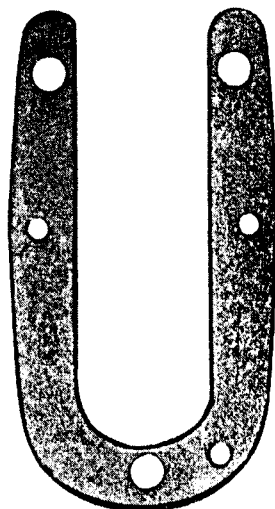


PLATE 13553 - FULL SIZE

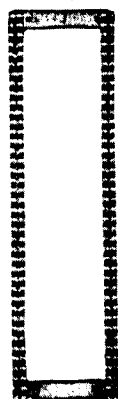
39825



39824



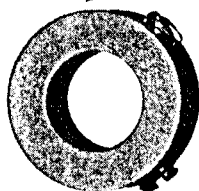
39823



39765



23414



50164



50165



50162



50163



350060



1043



679



1296



8238



1297

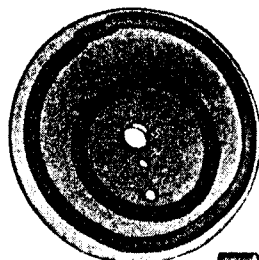


39766



PLATE 13554 - ONE-FOURTH SIZE

262011



39708



249661

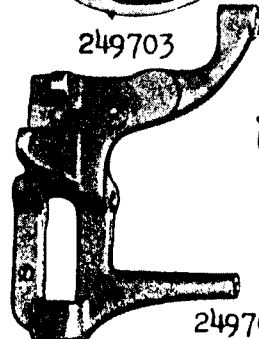


249639

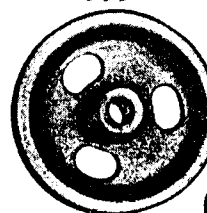


23536

249703



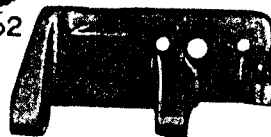
23538



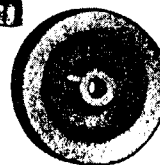
39569

249704

249662



39571

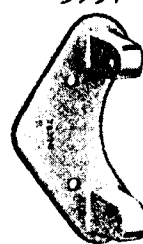


14229



14370

39570



14368

14369

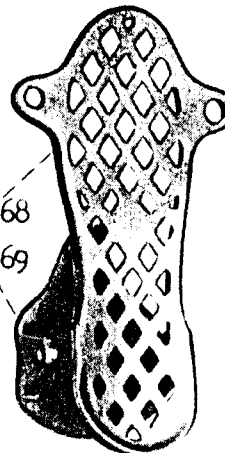


PLATE 13555 - ONE-HALF SIZE

40036



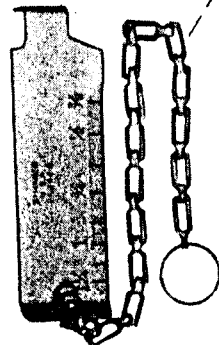
249709



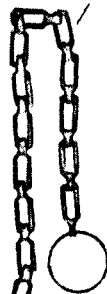
40037



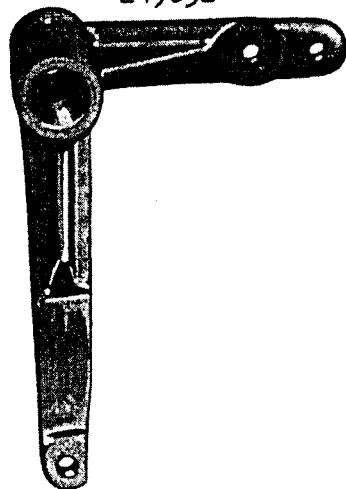
262026



249789



249831



249871

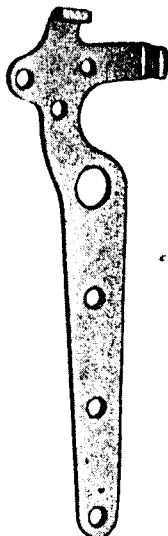


PLATE 13556 - FULL SIZE

23543



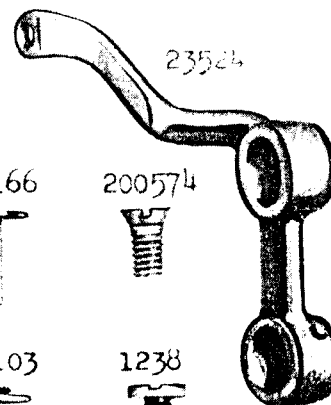
39850



39652



23524



168



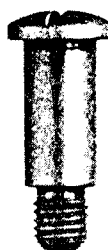
12166



200574



1064



2103



1238



249915



40013

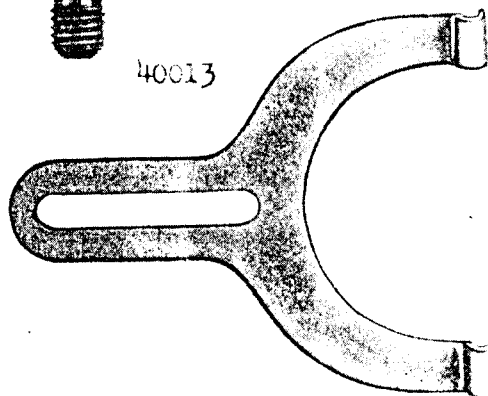


PLATE 14950 - FULL SIZE

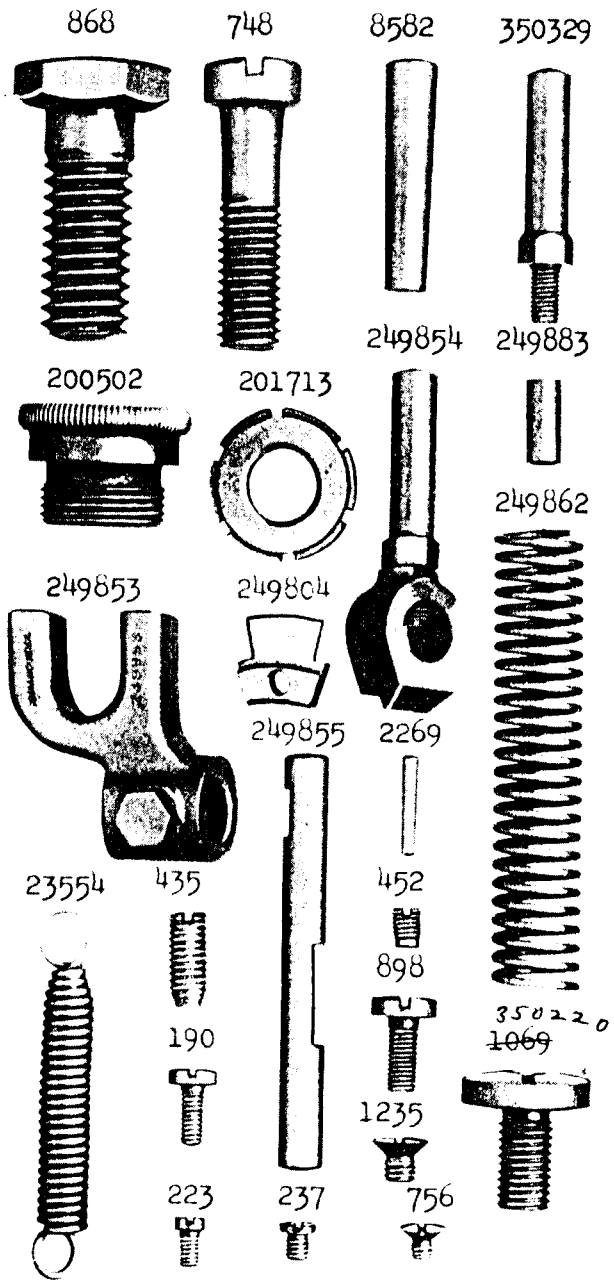


PLATE 14951 - ONE-FOURTH SIZE

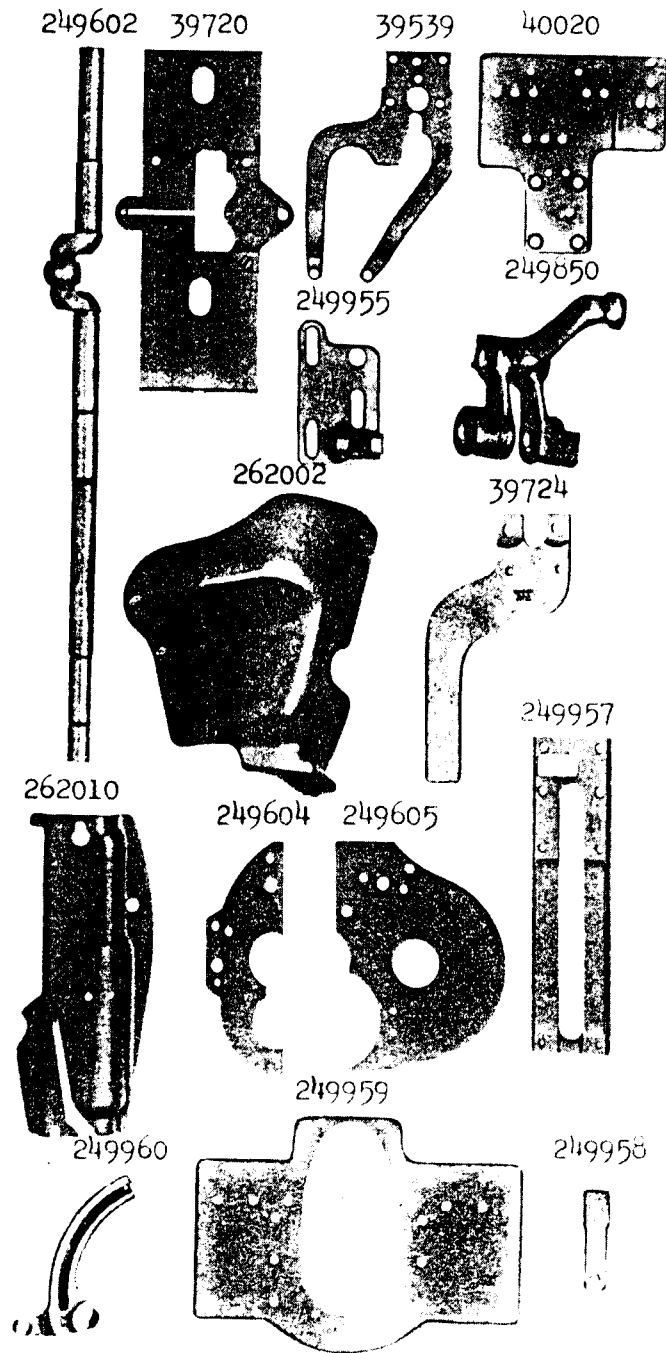


PLATE 14952 - ONE-HALF SIZE

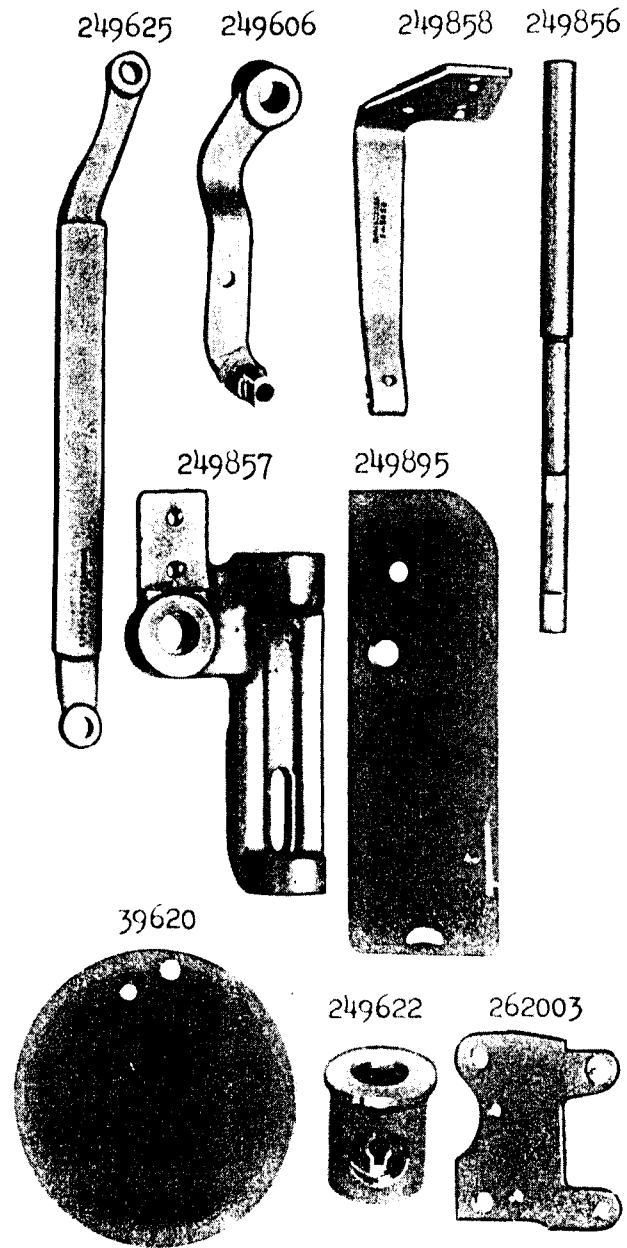


PLATE 14953 - FULL SIZE

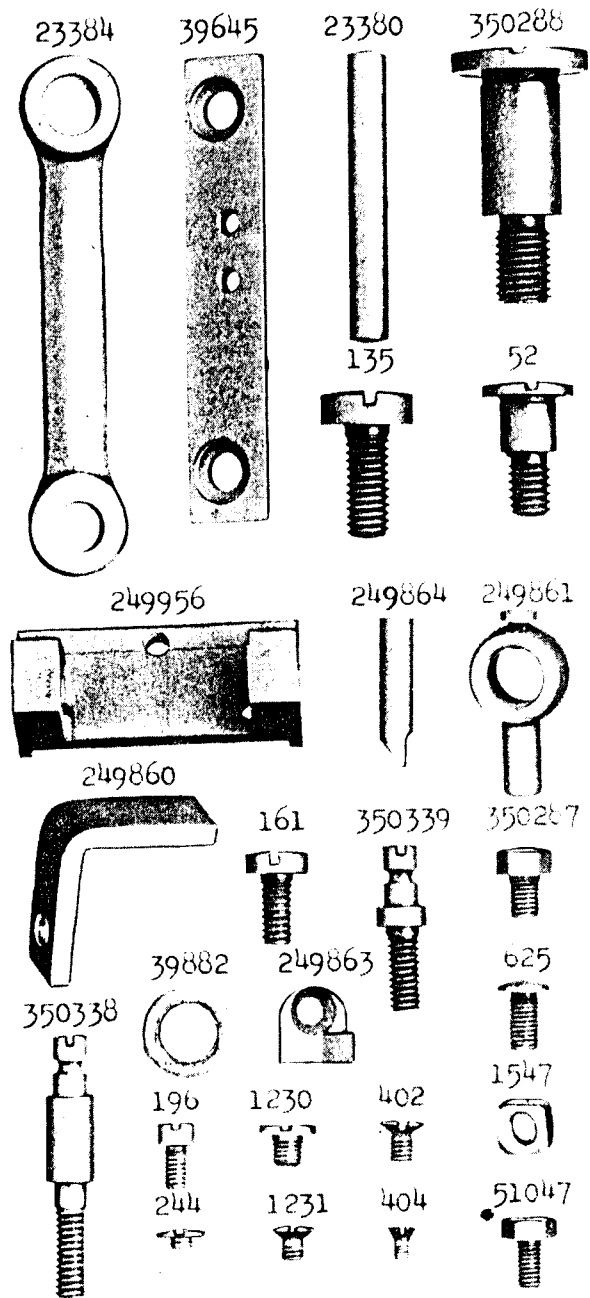


PLATE 14955 - FULL SIZE

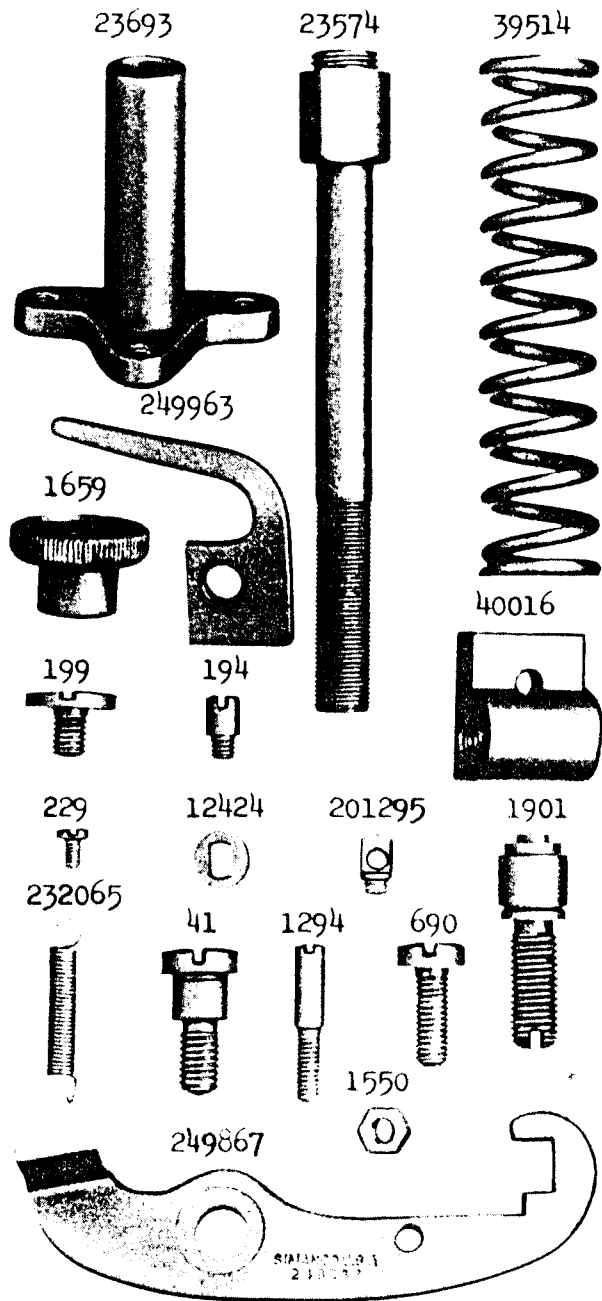


PLATE 14956 - ONE-HALF SIZE

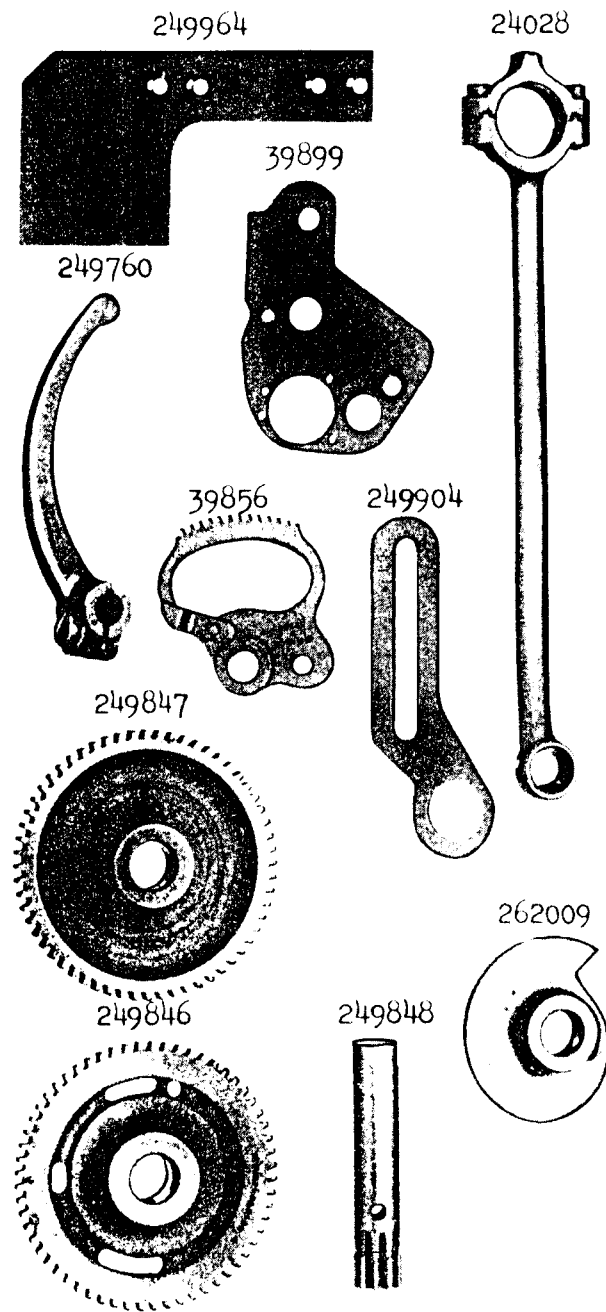


PLATE 14957 - FULL SIZE

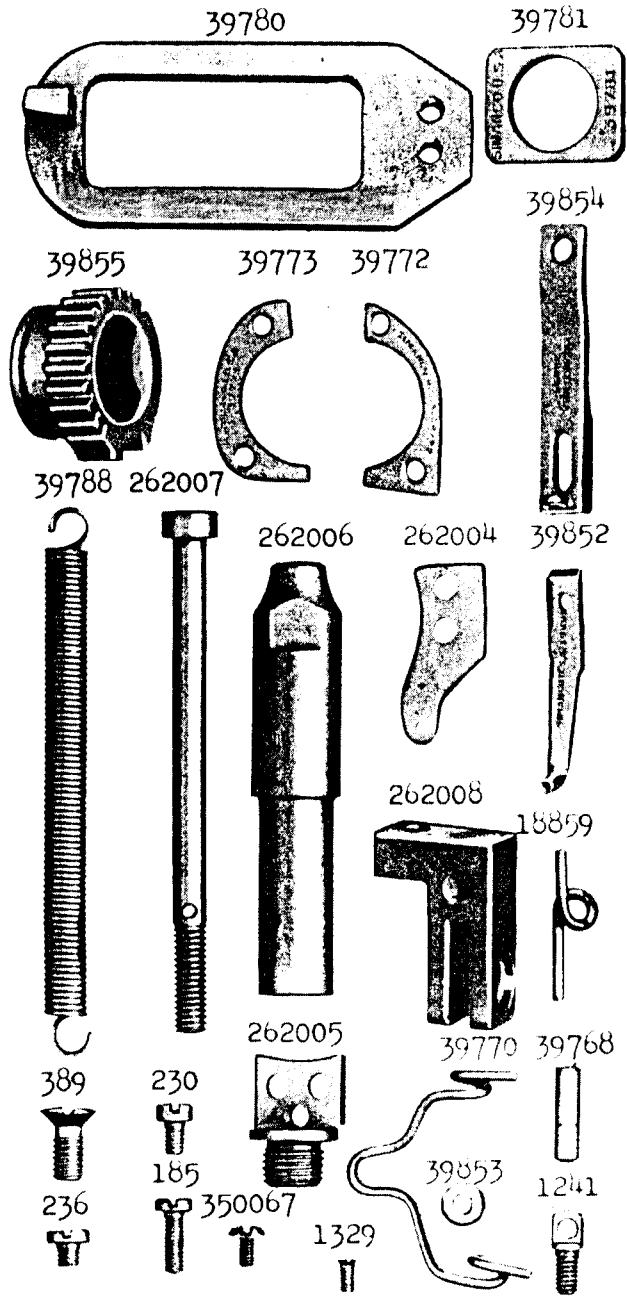


PLATE 14958 - FULL SIZE

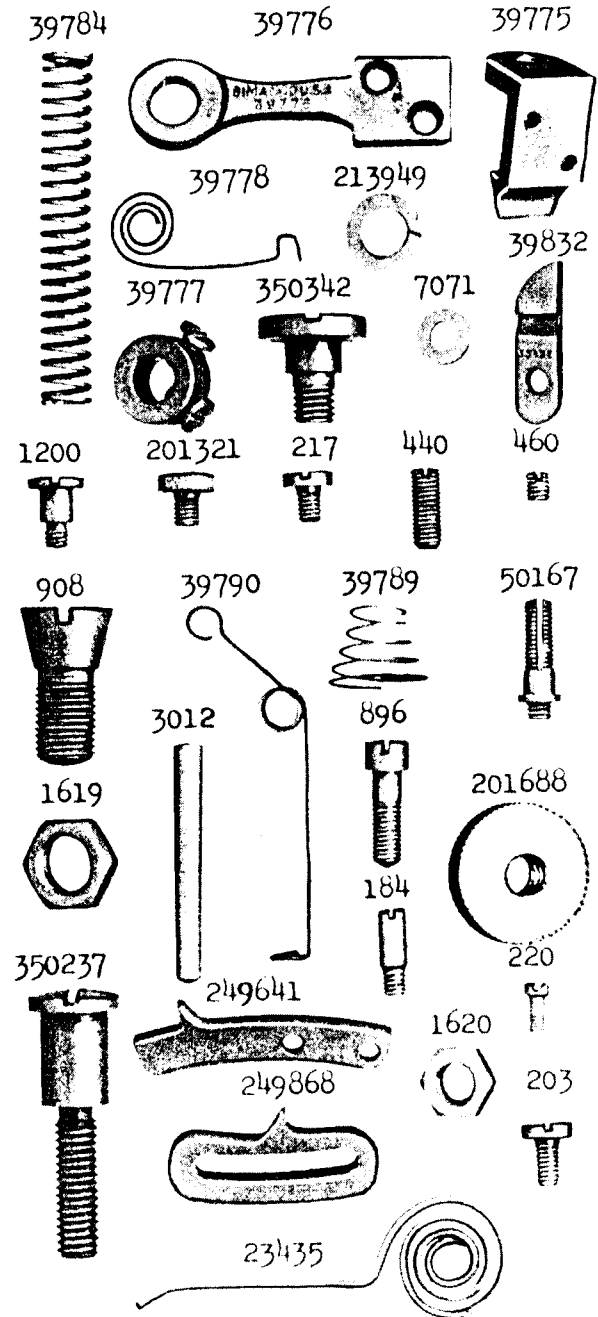
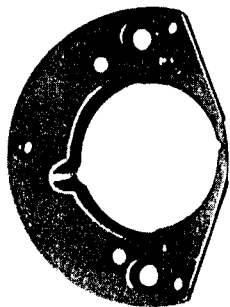
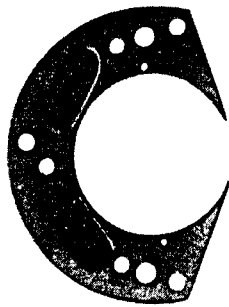


PLATE 14962 - ONE-HALF SIZE

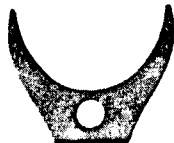
249926



249924



2533



39969



249546



7326



40028



23505



249929

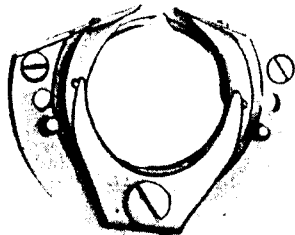


PLATE 14963 - FULL SIZE

249809



673



23471



262013



39658



19448



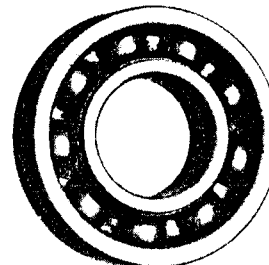
7070



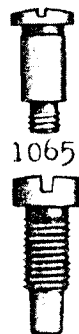
249892



249891



35025L



1065

201510



1517



1636



1094



200584



226



446



454



904



1253



PLATE 14982—FULL SIZE

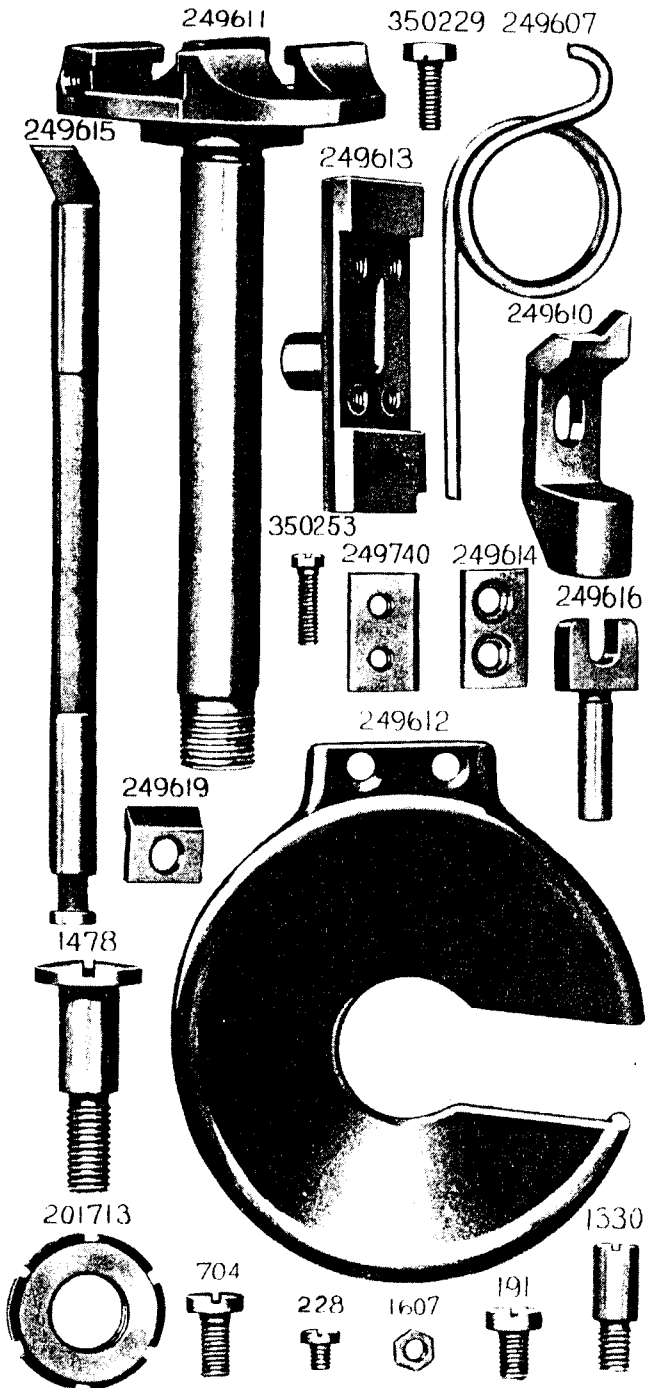


PLATE 14987—FULL SIZE

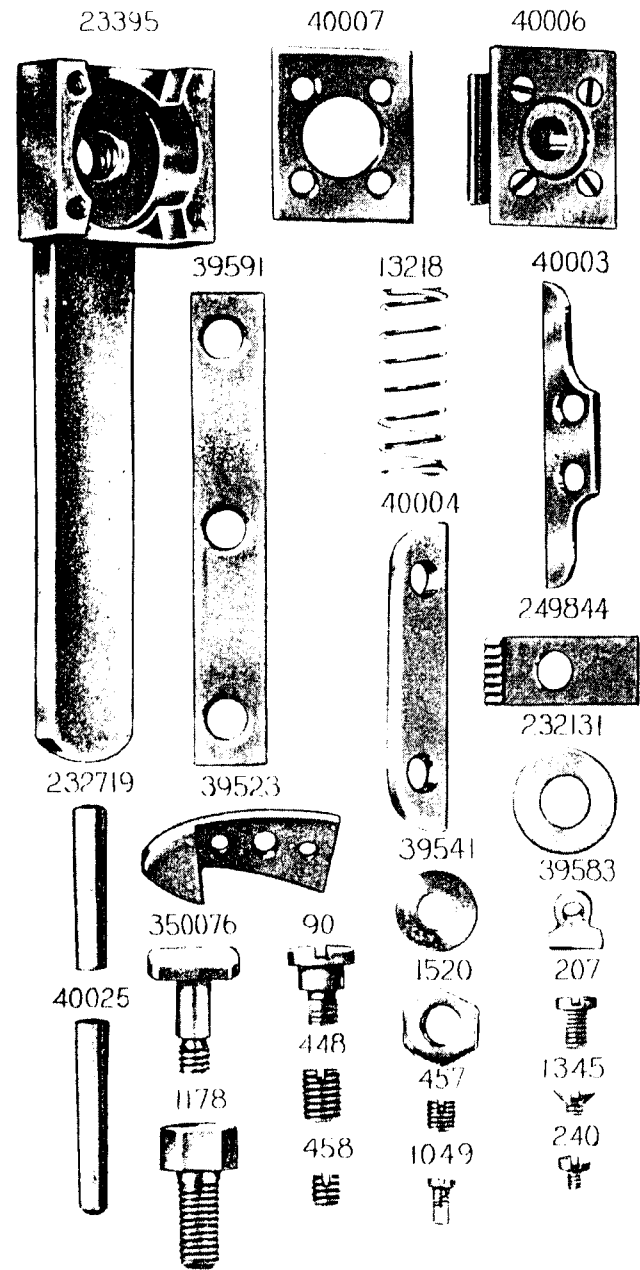




PLATE 14992—ONE-HALF SIZE

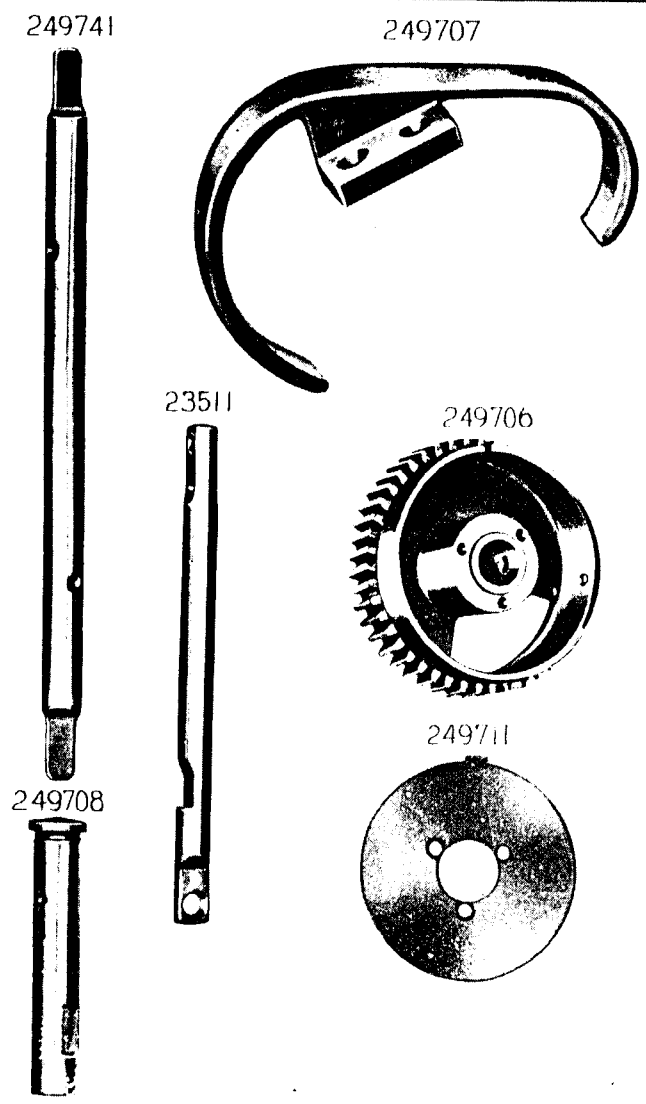


PLATE 14993—FULL SIZE

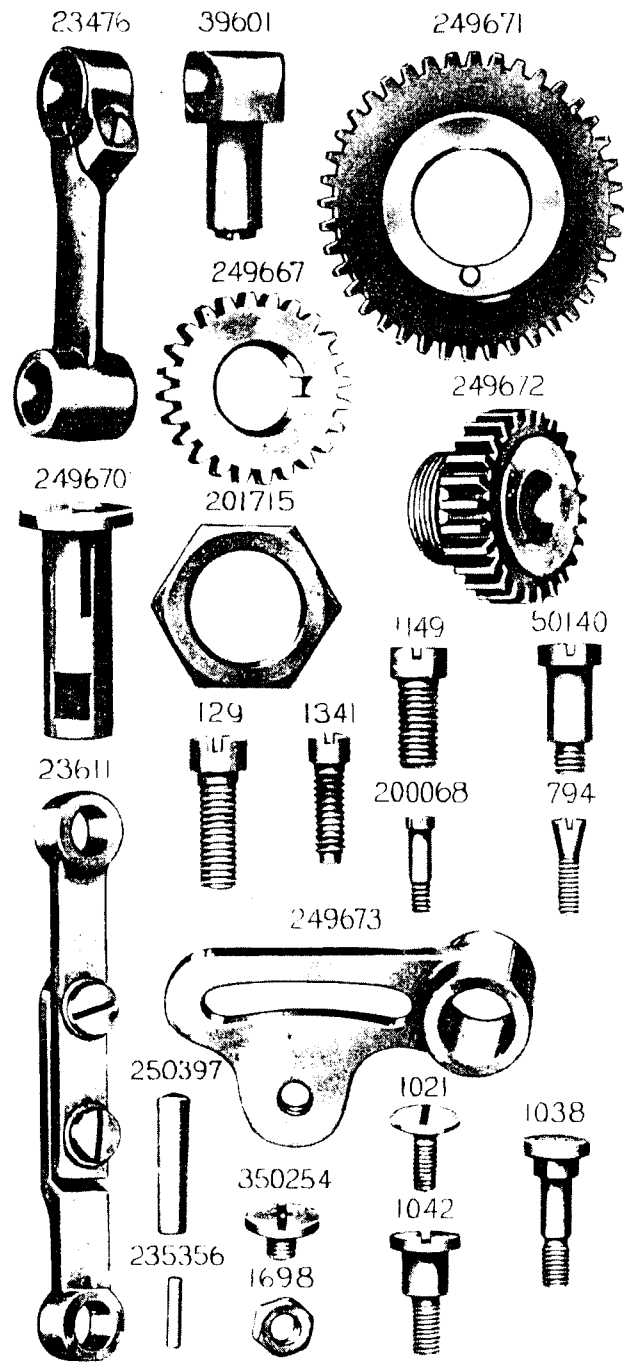


PLATE 14996—FULL SIZE

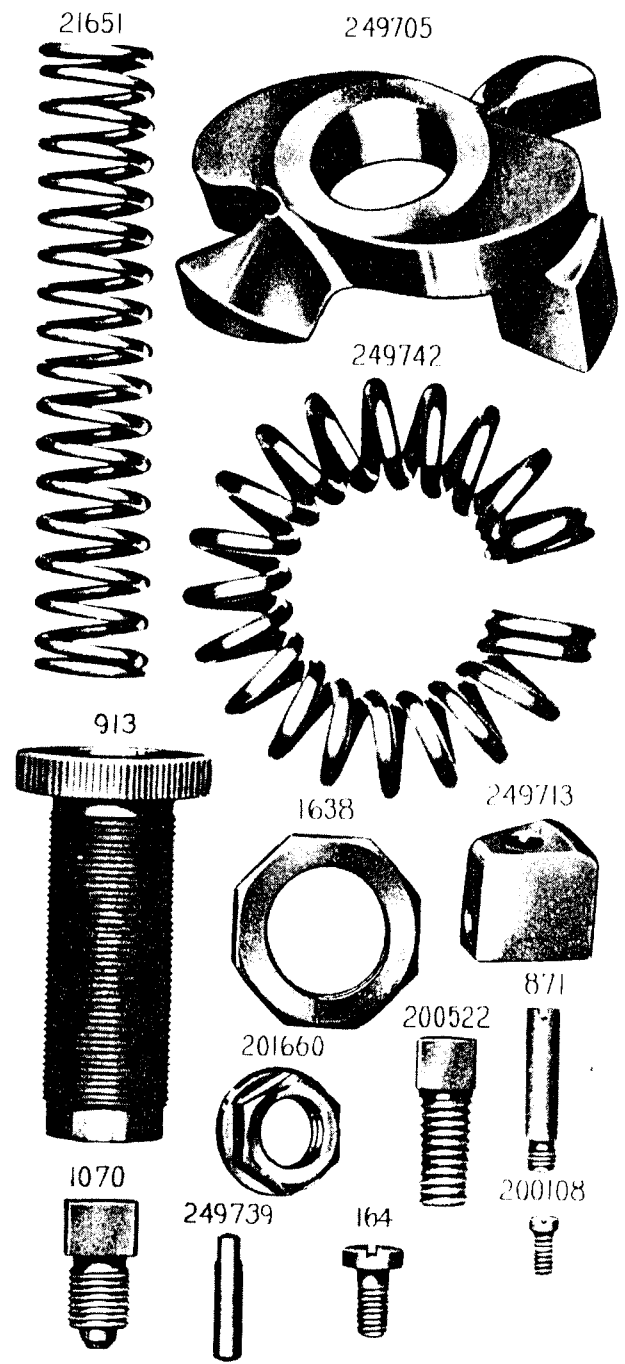


PLATE 14998—FULL SIZE

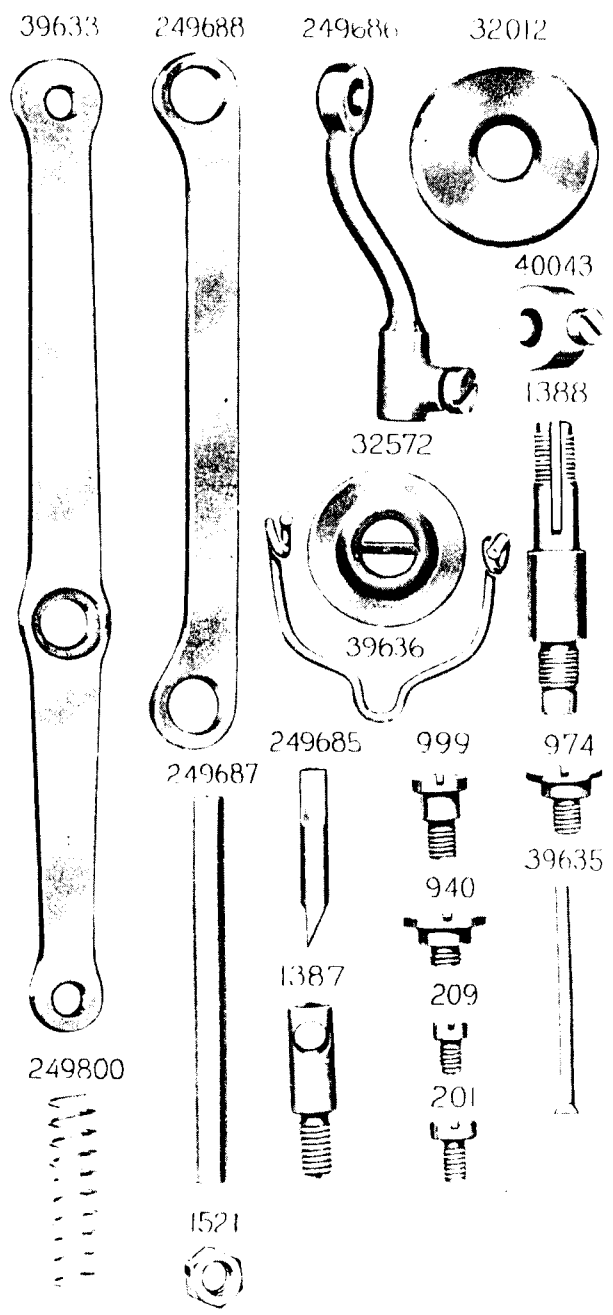


PLATE 15028—FULL SIZE

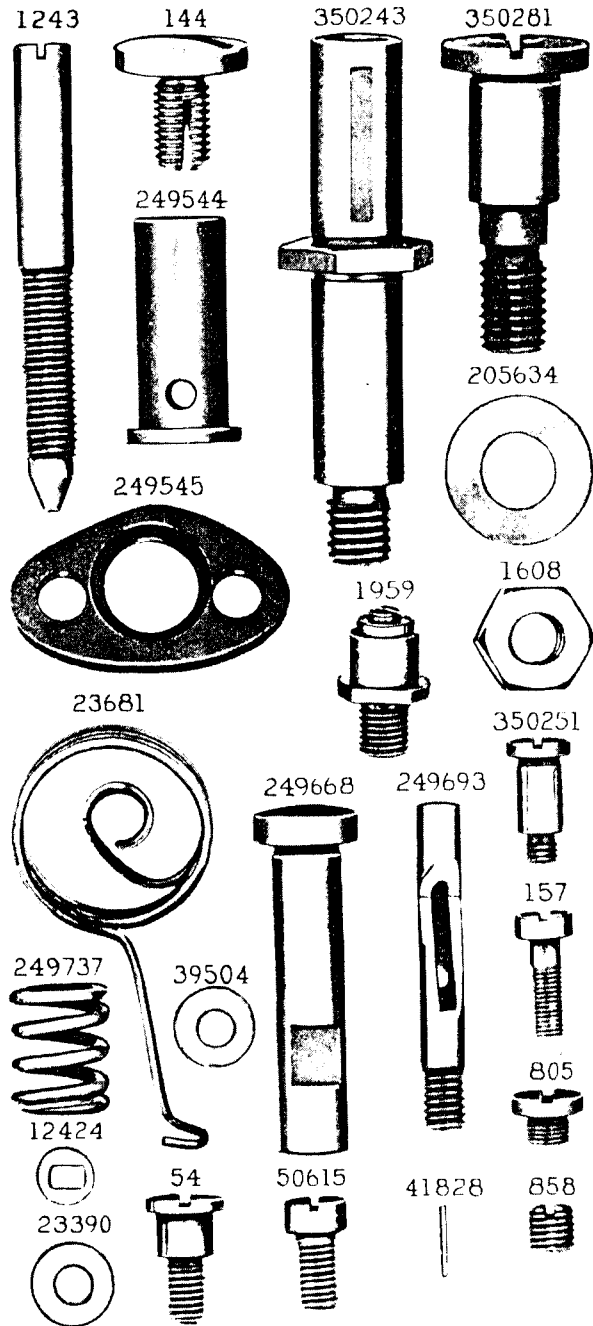


PLATE 15037—FULL SIZE

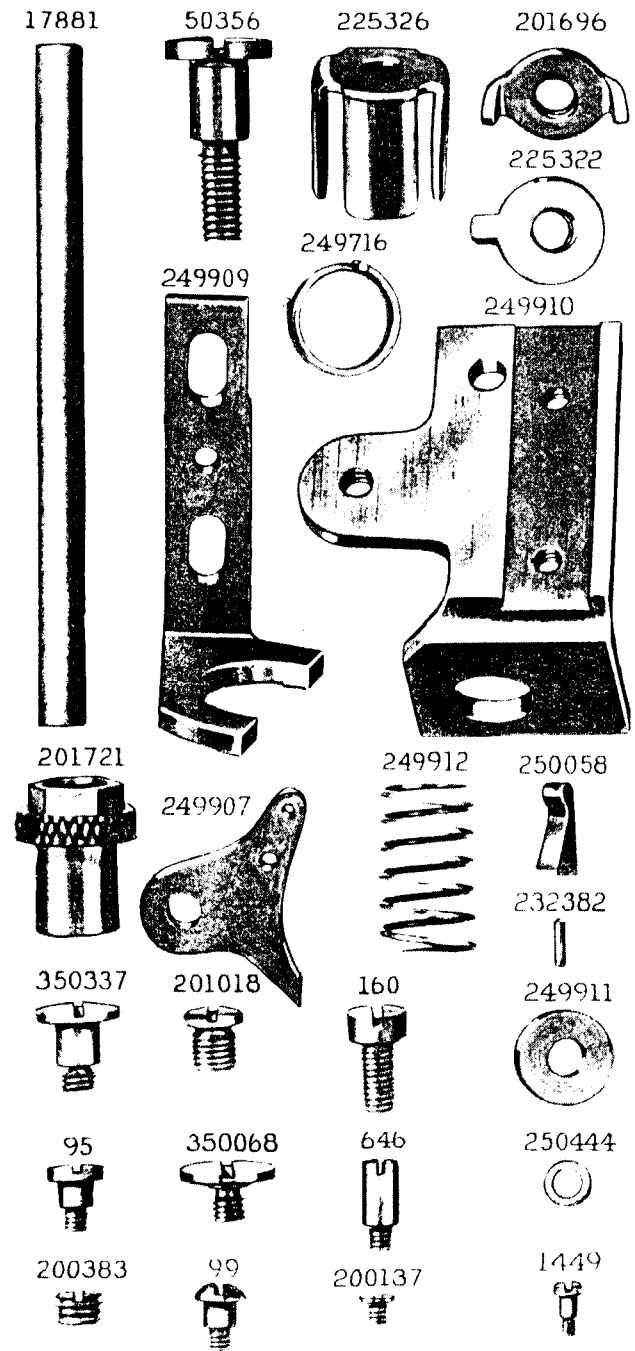


PLATE 15044 - FULL SIZE

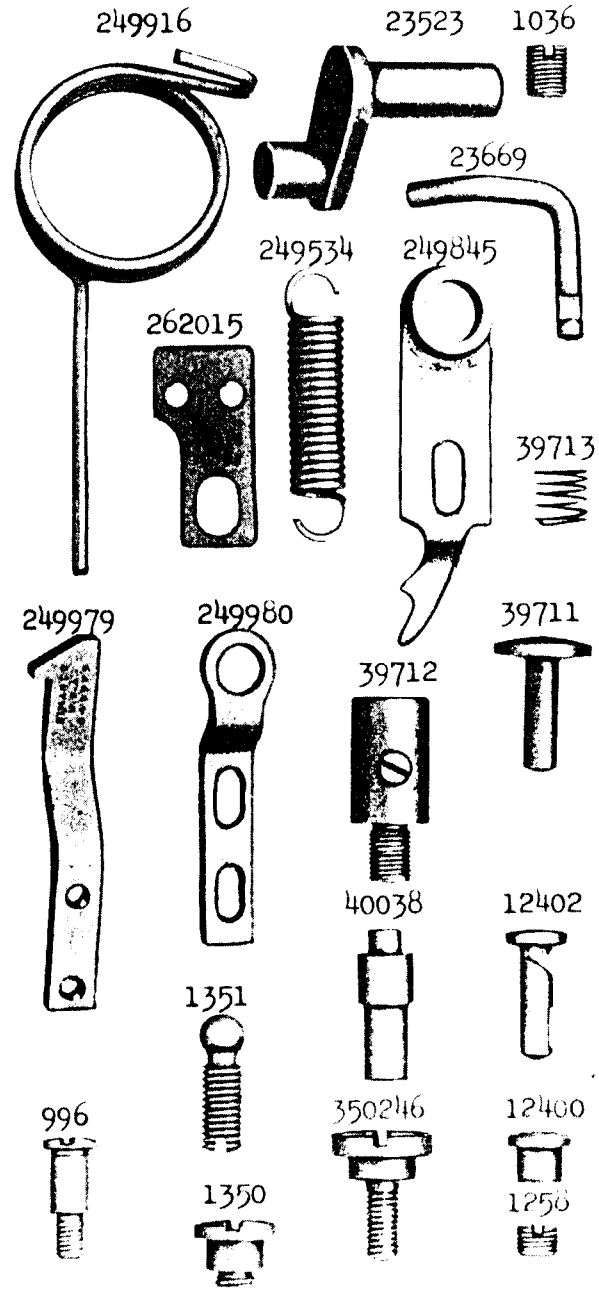


PLATE 15046 - FULL SIZE

