

SINGER
61W76

LIST OF PARTS



MACHINE No. 61w76

THE SINGER MANUFACTURING COMPANY

INDEX

	PAGE
ACCESSORIES	16
BOBBIN WINDER	16
KNEE LIFTER	17
MACHINE No. 61w76	7
NUMERICAL LIST OF PARTS	19
THREAD UNWINDER	18

Instructions for Ordering

In ordering from this list, use **ONLY** the **PART** number in the **FIRST** column.

The number stamped on a Sewing Machine Part is the number of the **Single Part** only, except when the part includes Set Screws, Clamping Screws, Studs and Rollers Spun on, Small Wires riveted, or Parts soldered together, etc., which it is necessary to furnish in combination.

Every combination of parts sent out has its specific number which, although not stamped on Parts (except in above cases) must be used when ordering the combination.

Each number always indicates the **SAME PART** in whatever list it appears, or for whatever Machine.

The letters after some of the numbers indicate the style of finish only, as follows:

- A. Hardened, Polished and Plated.
- B. Polished and Plated.
- C. Hardened only.
- D. Polished only.
- E. Soft, not polished.
- F. Hardened and Polished.
- H. Blued.

These letters **MUST BE USED** when they appear in the list and **AFTER** the number, as in the list.

In this series

- 200001 to 201500 are Screw Numbers.
- 201501 to 201800 are Nut Numbers.
- 201801 to 202000 are Roller Numbers.
- 202001 and upward are numbers of Machine Parts.

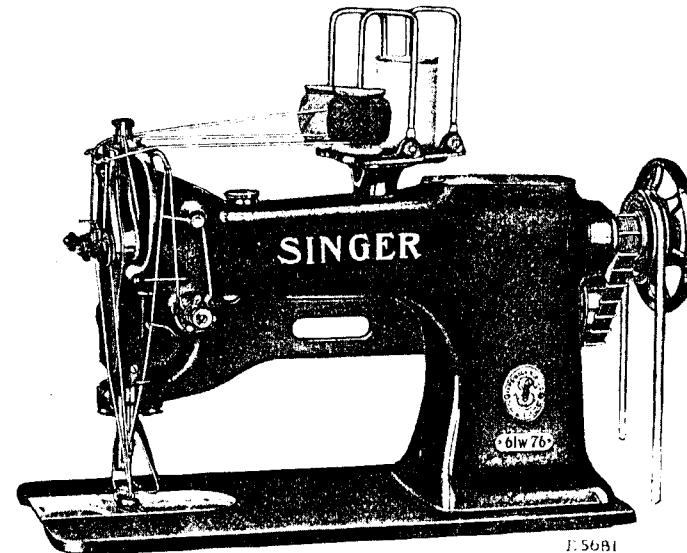
The figures in the second column refer only to the plate in which the illustration of the part is shown and are **NOT TO BE USED** in ordering.

Two or more numbers over a cut indicate that the difference between such parts is not visible in an illustration.

Parts marked with an asterisk (*) are furnished only when repairs are made at the factory.

LIST OF PARTS COMPLETE

FOR



MACHINE No. 61w76

FOR EMBROIDERY WORK

Weaves a Cord or Cords into the Stitches for an Embroidery Effect

No.	Plate	Name
*207090	---	Arm
*202561	---	" Bracket
202562	10285	" " Brace with 200057F
200057F	10285	" " " Pinch Screw
200330C	13371	" " " Screw
201528E	13371	" " " " Nut
200558H	10285	" " Screw (lower)
350168H	13371	" " " (long, upper)
200769E	10285	" " " (short, upper) ...
201522E	10246	" " " Nut (2)
225532	10285	" " " Washer (2)
202563	13372	" " Shaft
202564	10286	" " " Bevel Gear, 24 teeth, with two 200395C
200395C	10286	Arm Bracket Shaft Bevel Gear Set Screw

No.	Plate	Name
*202569	---	Arm Bracket Shaft Driving Pulley
200363c	10248	" " " " " "
		Set Screw
202565	10285	Arm Bracket Shaft Pulley with 202253 and two 200394c
202566	13372	Arm Bracket Shaft Pulley Belt ...
200394c	13371	" " " " Set Screw
202253	10244	" " " " Spring Flange
202247	13372	Arm Cap
200278H	10244	" " Screw
202248	10244	" " " Washer
204235	10668	" Position Pin (2)
200010E	10245	" Screw (3)
202005	10245	" " Washer (3)
202567	13372	" Shaft with 200367E and 203100
203159	13372	" " Bushing (back) with 202244
202244	---	Arm Shaft Bushing (back) Oil Packing (wick)
200338c	10244	Arm Shaft Bushing (back) Set Screw
207080	13372	Arm Shaft Bushing (front) with 202244
202244	---	Arm Shaft Bushing (front) Oil Packing (wick)
200502B	10246	Arm Shaft Bushing (front) Oil Packing Thumb Screw
200338c	10244	Arm Shaft Bushing (front) Set Screw
202530	13372	Arm Shaft Connection Belt
202252	10244	" " " " Pulley with 200327c, 200602E and two 202253
200602E	10244	Arm Shaft Connection Belt Pulley Position Screw
200327c	10244	Arm Shaft Connection Belt Pulley Set Screw
202253	10244	Arm Shaft Connection Belt Pulley Spring Flange
203100	---	Arm Shaft Oil Packing (wick)
200367E	13371	" " " " Stop Screw (left hand)
*202568	---	Balance Wheel (belt groove 2 $\frac{1}{4}$ in. diam.)
202962	13374	Balance Wheel complete, Nos. 202568, 202569 and two 200363c ..
*207081	---	Bed

No.	Plate	Name
207082	13373	Bed Plate (back)
200577H	10245	" " " Screw
207083	13373	" Slide (front)
202265	10964	Bobbin
*202806	---	" Case
202267	10964	" " Latch
*202056	10964	" " " Pin
202269	10964	" " " Plunger
202270	10964	" " " Spring
202716	10964	" " Tension Spring
200984c	10964	" " " " Regulat- ing Screw
200594c	10964	Bobbin Case Tension Spring Screw
202533	10964	Bobbin Case complete, Nos. 200594c, 200984c, 202056, 202267, 202269, 202270, 202716 and 202806
202571	10286	Cord Guide
202578	10286	" "
202572	13371	" " Pin
202570	10286	" Guiding Arm
200231D	10285	" " " Hinge Screw ..
201516E	10285	" " " " " Nut
202573	10286	" " Eccentric Shaft
202564	10286	" " " " Bevel Gear, 24 teeth, with two 200395c
202575	13373	Cord Guiding Eccentric Shaft Bevel Gear Guard
200564c	13371	Cord Guiding Eccentric Shaft Bevel Gear Guard Screw
200395c	10286	Cord Guiding Eccentric Shaft Bevel Gear Set Screw
213639	13371	Cord Guiding Eccentric Shaft Col- lar with 200380c
200380c	10286	Cord Guiding Eccentric Shaft Col- lar Set Screw
202576	10286	Cord Guiding Eccentric Shaft Washer
200049D	10286	Cord Guiding Eccentric Shaft Washer Screw
202577	13373	Cord Tension Bracket
200164D	10286	" " " Screw
202402	10247	" " Disc
202572	13371	" " " Stop Pin
202579	13371	" " Spring
202580	10286	" " " Washer
200618B	13371	" " Stud
201572E	10881	" " " Thumb Nut

No.	Plate	Name
*206776	—	Hook (sewing)
206777	10964	" 206776 with 200145H, 200596F, 200614C, 202320, 203101, 206751, 206775 and 206852
206740	—	Hook and Bobbin Case complete, Nos. 202533 and 206777
206852	10964	Hook Gib
200614C	10964	" " Hinge Screw
200596F	10964	" " Screw
203101	—	" Oil Wick
*202320	—	" Shaft, 11 $\frac{1}{16}$ in. long
202321	10245	" " Bushing (back)
200346C	10245	" " " " Set Screw
202322	10245	" " " (front)
200346C	10245	" " " " Set Screw
202323	10244	" " Connection Belt Pulley with 202324 and two 201018C ...
201018C	13371	Hook Shaft Connection Belt Pulley Set Screw
202324	10244	Hook Shaft Connection Belt Pulley Spring Flange
202260	—	Hook Shaft Oil Packing (wick) (2)
206775	13371	" " Pin
206751	13371	" Washer
200145H	10964	" " Screw
208490	13373	Knee Lifter Connection Lever
202447	10936	" " " " Lift- ing Rod with 202302
202302	10248	Knee Lifter Connection Lever Lift- ing Rod Cotter Pin
202449	10936	Knee Lifter Lifting Lever
202326	10248	Needle Bar with 200141F
202327	10248	" " Bushing
203123	—	" " " " 202327 with 202326
200352C	10248	Needle Bar Bushing Set Screw ...
202331	10248	" " Connecting Link
202332	10248	" " " " Oil Guard
200161D	10247	Needle Bar Connecting Link Oil Guard Screw
202333	10248	Needle Bar Connecting Link Stud with 202254
202254	—	Needle Bar Connecting Link Stud Oil Packing (wick)
200374C	10668	Needle Bar Connecting Link Stud Set Screw
*206891	—	Needle Bar Connecting Stud
202329	10248	" " " " 206891 with 200086C and 202330

No.	Plate	Name
202330	—	Needle Bar Connecting Stud Oil Packing (wick)
200086C	10248	Needle Bar Connecting Stud Pinch Screw
202328	13373	Needle Bar Crank with 200335C, 200428C, 202333 and two 200374C
203117	—	Needle Bar Crank 202328 with 202329, 202331 and 202398 to 202400
203172	10248	Needle Bar Crank Friction Washer
200428C	10248	" " " Position Screw ..
200335C	10244	" " " Set Screw
200141F	10248	" " " Set Screw
202335	13373	Presser Bar (hollow) with 200074F
207072	10249	" " Bushing
200352C	10248	" " " Set Screw
202339	10249	" " Lifter
200653C	10249	" " " Hinge Screw ...
202340	10249	" " Lifting Releasing Lev- er Bracket
200260D	10249	Presser Bar Lifting Releasing Lev- er Bracket Guide Screw
202342	10249	Presser Bar Lifting Releasing Lev- er Bracket Spring (spiral)
202337	10249	Presser Bar Position Guide
202338	10249	" " " " Lever with 200086F
200086F	10248	Presser Bar Position Guide Lever Pinch Screw
200352C	10248	Presser Bar Position Guide Set Screw
202343	13371	Presser Bar Spring (light)
202346	10249	" " " Stop Rod
200492B	10249	" " Thumb Screw (pres- sure regulating)
200475B	10668	Presser Bar Thumb Screw Thumb Set Screw
202355	10668	Presser Bar Thumb Screw Thumb Set Screw Packing (brass)
202584	10286	Presser Foot with 202578
200074F	10249	" " Screw
202068	13374	Spool Holder Base
206541	13374	" " " Bracket
200265E	13371	" " " " Screw ..
206542	13374	Spool Holder Base Bracket com- plete, Nos. 206541, three each 200575H and 204297
200575H	10668	Spool Holder Base Screw
204296	13374	" " Wire
200079H	10668	" " " Hinge Screw ...

No.	Plate	Name
204297	---	Spool Holder complete, Nos. 200079n, 202068 and 204296
202397	10668	Take-up (auxiliary)
200842e	10668	" " Screw
202398	10247	" Lever
202399	10247	" " Driving Stud with 202277
202277	---	Take-up Lever Driving Stud Oil Packing (wick)
202400	10247	Take-up Lever Hinge Stud with 202423
202423	---	Take-up Lever Hinge Stud Oil Packing (wick)
200383c	10246	Take-up Lever Hinge Stud Set Screw
202401	10247	Take-up Lever Oiling Felt
200132e	10247	" " " " Screw ..
202402	10247	Tension Disc (back)
202403	10247	" " (front)
202404	10247	" Release Plunger
202405	10247	" " Washer
202407	10881	" Spring
200625e	10247	" Stud with 204925
200061c	13371	" " Set Screw
204925	10668	" " Washer
201572b	10881	" Thumb Nut
202409	10252	Tension complete, Nos. 200625e, 201572b, 202402, 202403, 202405, 202407 and 202410
202410	10252	Thread Controller Spring
202411	10252	" " " Stop
200132e	10247	" " " " Screw
202413	10252	" Guide
202414	10252	" "
202415	10252	" "
202417	10252	" "
200582n	10252	" " Screw
200355n	10252	" " Set Screw
200368n	10668	" " " "
202091	10252	" Retainer Sleeve
202092	10252	" " Spring
204058	10252	" " Stud
200368n	10668	" " " Set Screw
204059	10668	Thread Retainer complete, Nos. 202091, 202092 and 204058
202818	13371	Throat Plate, 50 needle hole, for needle sizes 14 and 15, with 202534, 202619 and two 200583n, for 202282

No.	Plate	Name
202534	10668	Throat Plate Bobbin Case Stop ...
202619	10668	" " " " " Po- sition Pin
200583n	10668	Throat Plate Bobbin Case Stop Screw
200577n	10245	Throat Plate Screw (2)

ACCESSORIES

No.	Plate	Name
200157B	13371	Attachment Screw
202265	10964	Bobbin (5)
*225482	—	" Case Screw Driver Blade ...
*225483	—	" " " " Handle ..
225497	14334	Bobbin Case Screw Driver complete, Nos. 225482 and 225483 ...
12361	14334	Machine Hinge Connection
135 x 5	—	Needles, three each, sizes 12 and 14
225180	—	Drip Pan (short) with four wood screws $\frac{1}{2}$ in., No. 5
41400	14334	Machine Rest Pin (wood)
120342	14334	Oiler (copper plated) with 120343
120343	14334	" Spout, 3 $\frac{1}{2}$ in. long
*225484	—	Screw Driver Blade
*225485	—	" " Handle
225498	14334	Screw Driver complete (7 $\frac{1}{4}$ in. long), Nos. 225484 and 225485 ..
225554	14334	Wrench (steel)

BOBBIN WINDER

Swing Automatic, Right Hand

225453	10884	Frame with 202277 and 225438 ...
225454	10884	" Hinge Pin
202277	—	" Oil Packing (wick)
225438	10884	" " Well Cap
225455	10884	" Spring
225456	10884	" " Plunger
202473	10885	Pulley with 200380c
200380c	10286	" Set Screw
225381	10884	Spindle
225444	10884	Stop Latch
200056E	10884	" " Screw
225458	10884	" " Thumb Lever
225459	10884	" " " " Hinge Stud
225460	10884	" " " " Joint Stud
202478	10884	" " Trip Lever
200299U	10884	" " " " Hinge Screw
225461	10881	Tension Bracket with 201499B
200082D	10881	" " Screw
228026	10884	" " " Washer
2102	10881	" Disc

No.	Plate	Name
202407	10881	Tension Spring
201499B	10881	" Stud
201572B	10881	" " Thumb Nut
225462	10881	Bobbin Winder Tension Bracket complete, Nos. 201572B, 202407, 225461 and two 2102
225433	10885	Bobbin Winder and Tension Bracket Base
225382	10885	Universal Bobbin Winder complete, Nos. 200056E, 200082D, 200299U, 202473, 202478, 225381, 225433, 225444, 225453 to 225456, 225458 to 225460, 225462, 228026 and two wood screws $\frac{3}{4}$ in., No. 13, R.H.B.

KNEE LIFTER

227781	10936	Knee Lifter Rock Lever with 200522c and 200529c
227782	—	Knee Lifter Rock Lever 227781 with two each 202451 and 202452
227783	—	Knee Lifter Rock Lever 227782 with 202985 and 227784
202453	10936	Knee Lifter Rock Lever Knee Plate with 200526c
202985	—	Knee Lifter Rock Lever Knee Plate 202453 with 202455
202455	10936	Knee Lifter Rock Lever Knee Plate Arm (short)
200522c	13371	Knee Lifter Rock Lever Knee Plate Arm Set Screw
200526c	13371	Knee Lifter Rock Lever Knee Plate Set Screw
202451	10936	Knee Lifter Rock Lever Lug with two wood screws $\frac{3}{4}$ in., No. 13H..
202452	13371	Knee Lifter Rock Lever Lug Hinge Pin
227784	10936	Knee Lifter Rock Lever Rod, 3 in. long, with 227785
*227785	—	Knee Lifter Rock Lever Rod Cap or Oil Guard
200529c	13371	Knee Lifter Rock Lever Rod Set Screw

(Other Knee Lifter Parts are listed with parts of machine head)

THREAD UNWINDER

No.	Plate	Name
225389	14083	Spool Rest (for one spool) with 201018c
225395	14083	Spool Rest (for two spools) with 201018c
225388	14083	Spool Rest Rod
200383c	10246	" " " Set Screw
201018c	13371	" " " Set Screw
202490	14083	" Stand with 200383c
225391	14083	Thread Guide
201696j	13371	" " Lock Nut
225392	14083	" " Rod with 208E and 225393
208E	13371	Thread Guide Rod Screw
225393	13371	" " " Washer
225397	14083	Thread Unwinder (for three spools) complete, Nos. 201696j, 202490, 225388, 225389, 225392, 225395, three each 225391 and wood screws $\frac{3}{8}$ in., No. 13

Parts used in connection with but not included in Thread Unwinder 225397

27739	—	Thread Cone (wood)
60913	14083	Spool Weight with 60914
60914	—	" " Center Pin
225377	14083	" Wire, for small spools

PLATE 10244—FULL SIZE

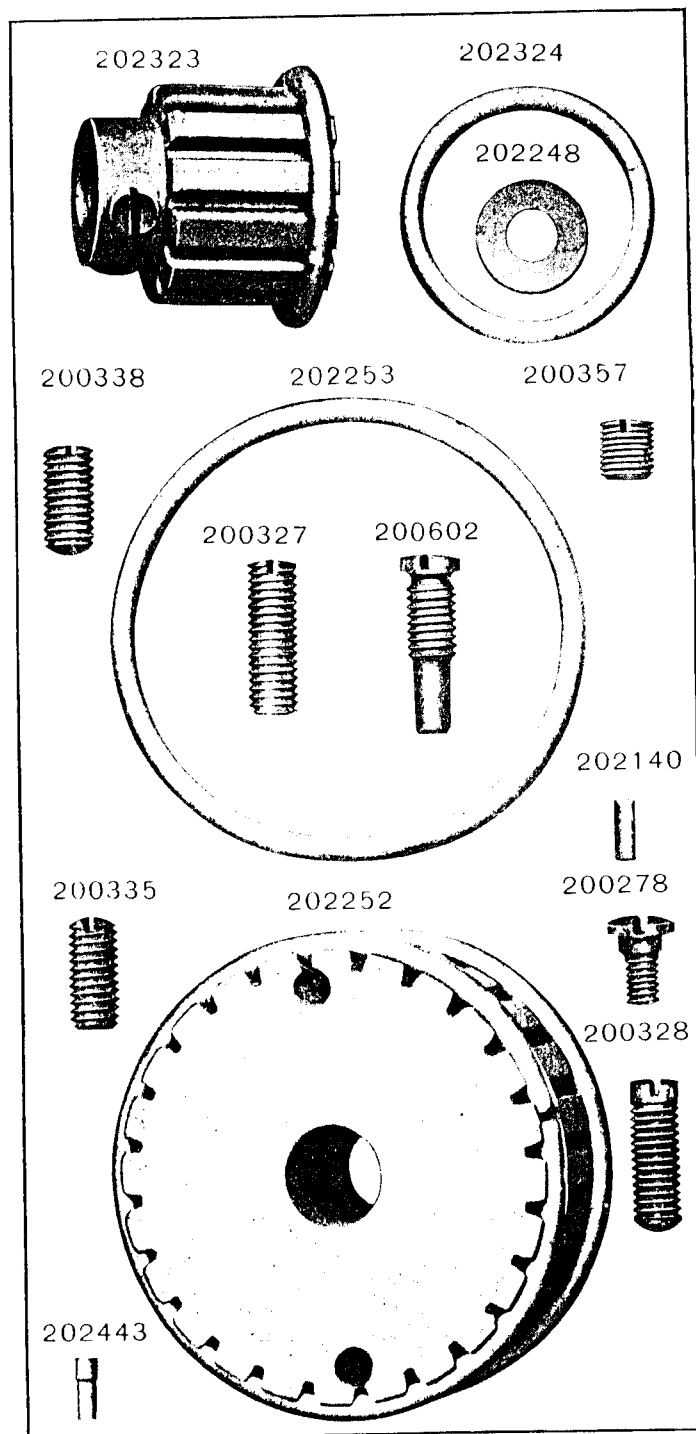


PLATE 10245—FULL SIZE

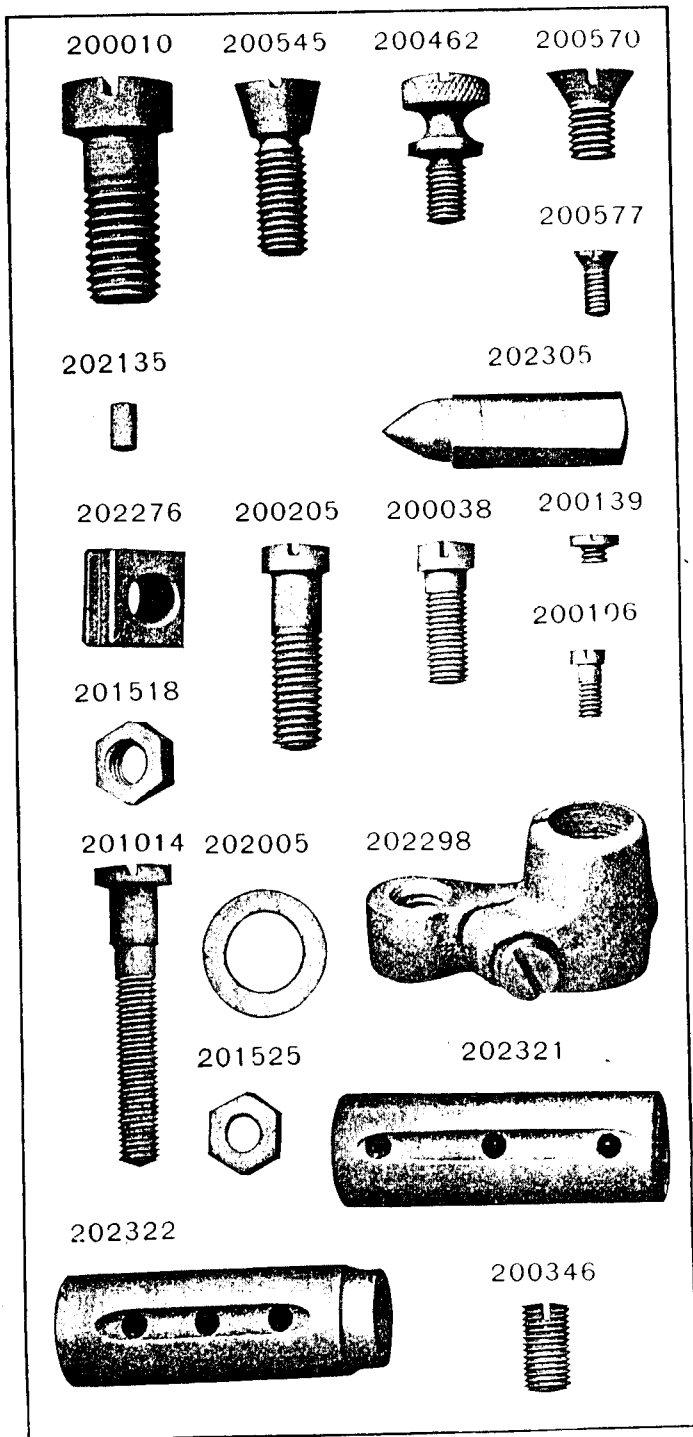


PLATE 10246—FULL SIZE

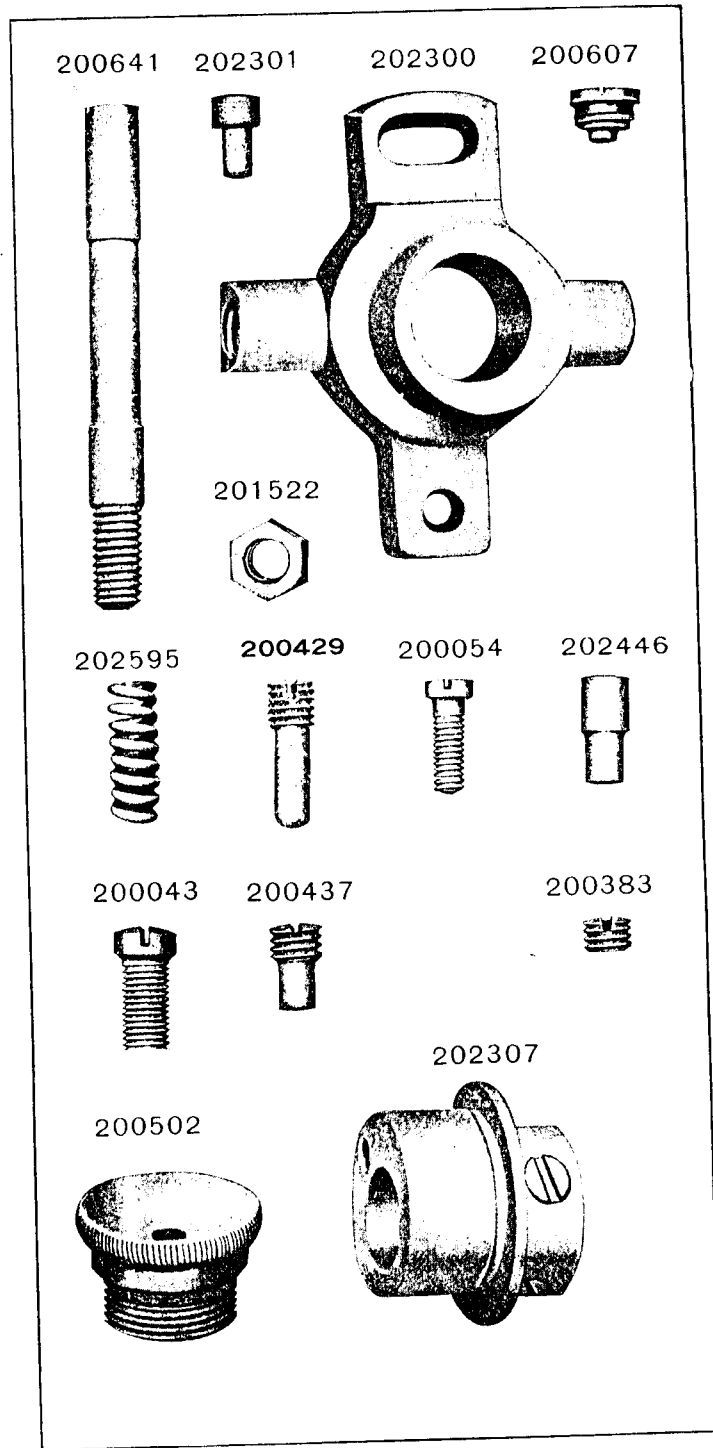


PLATE 10247—FULL SIZE

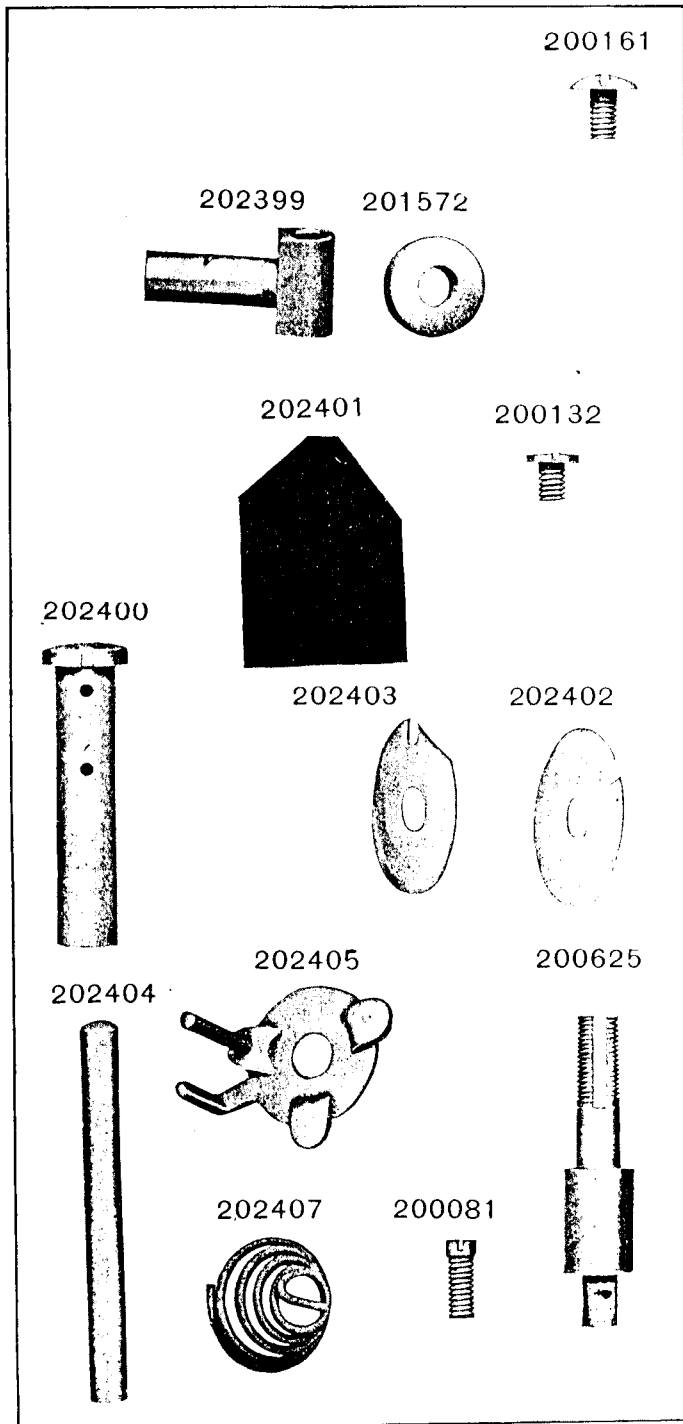


PLATE 10248—FULL SIZE

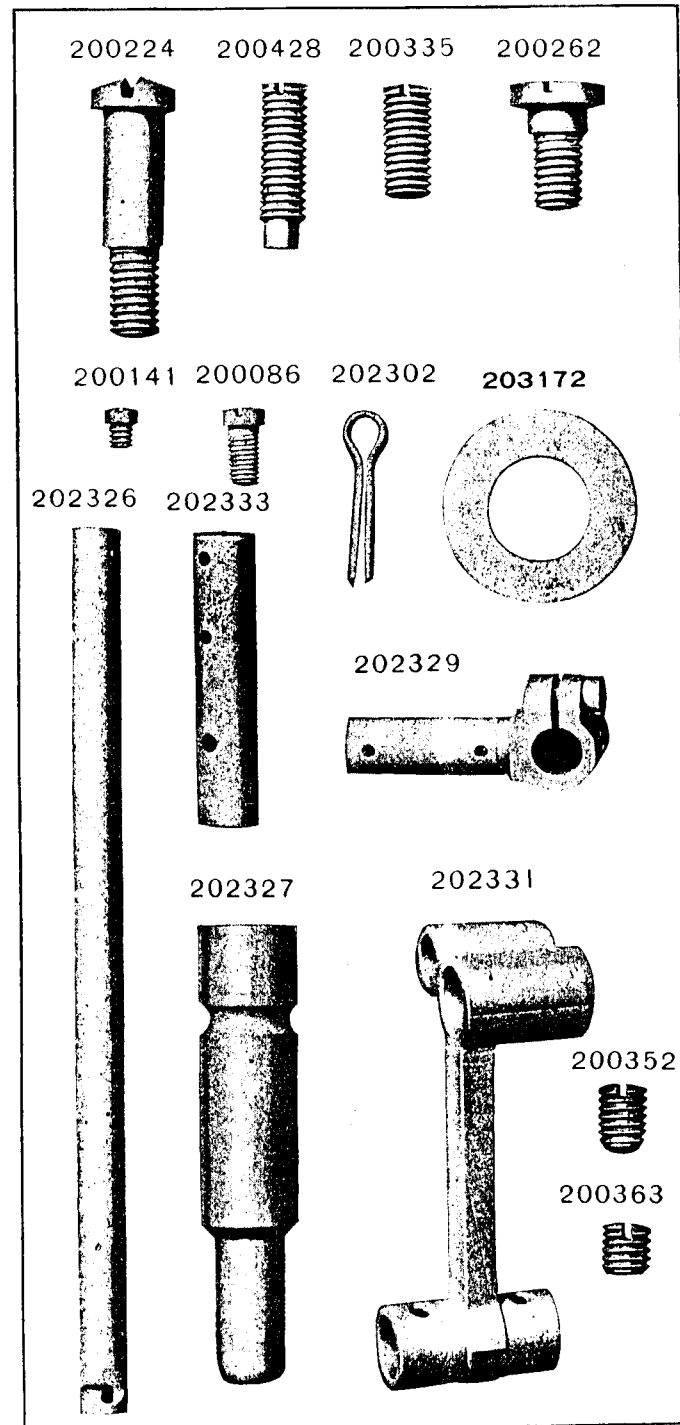


PLATE 10249—FULL SIZE

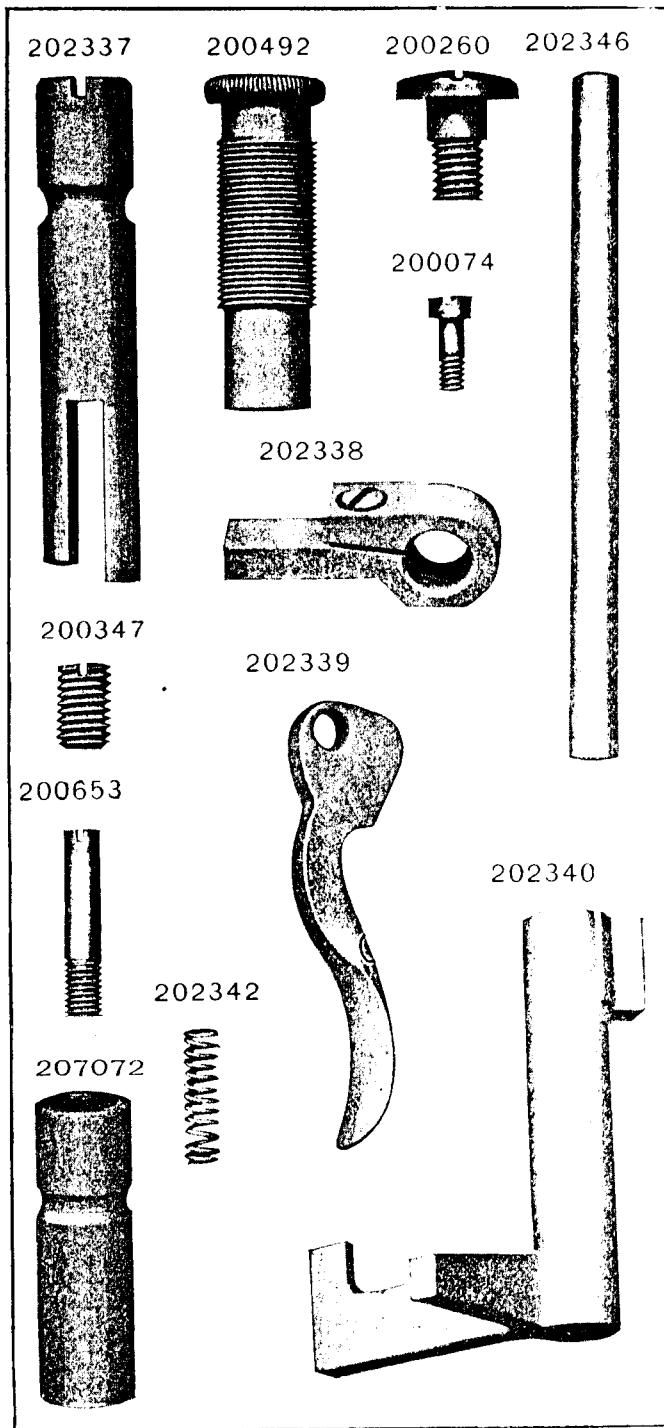


PLATE 10252—FULL SIZE

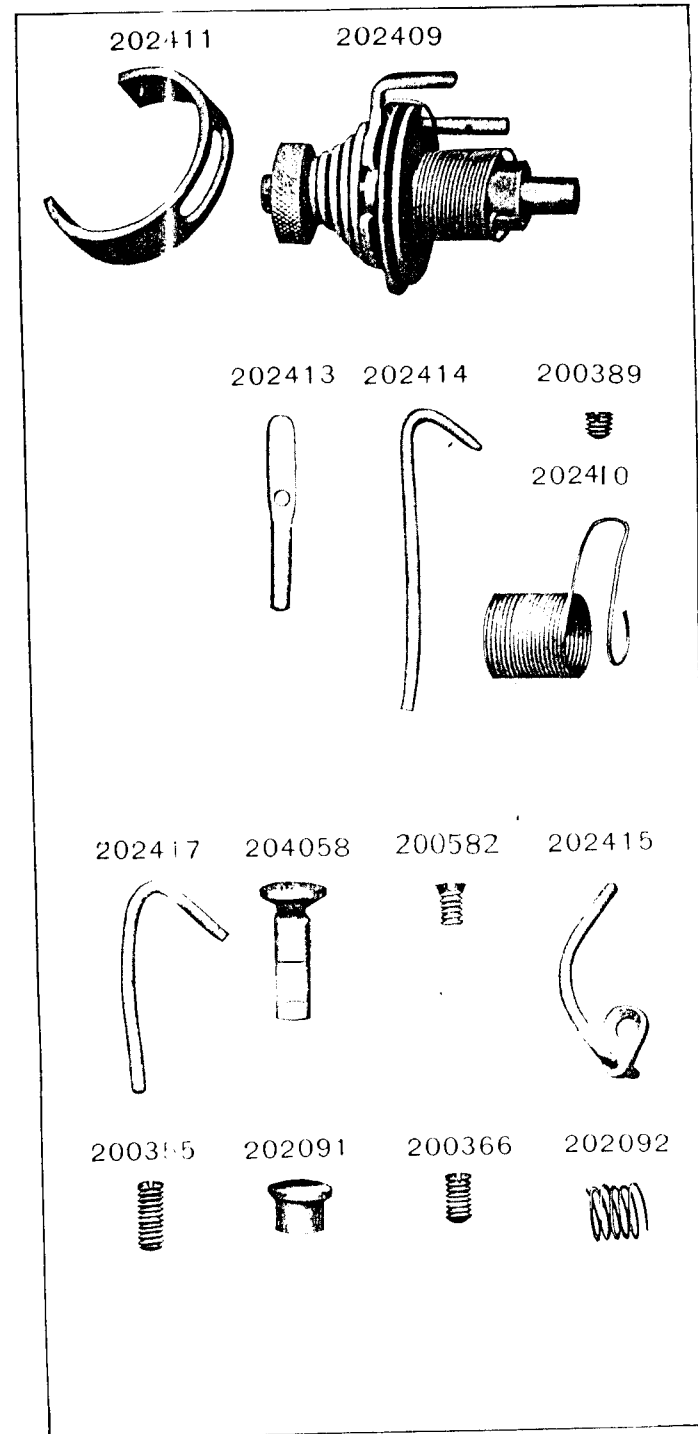


PLATE 10285—FULL SIZE

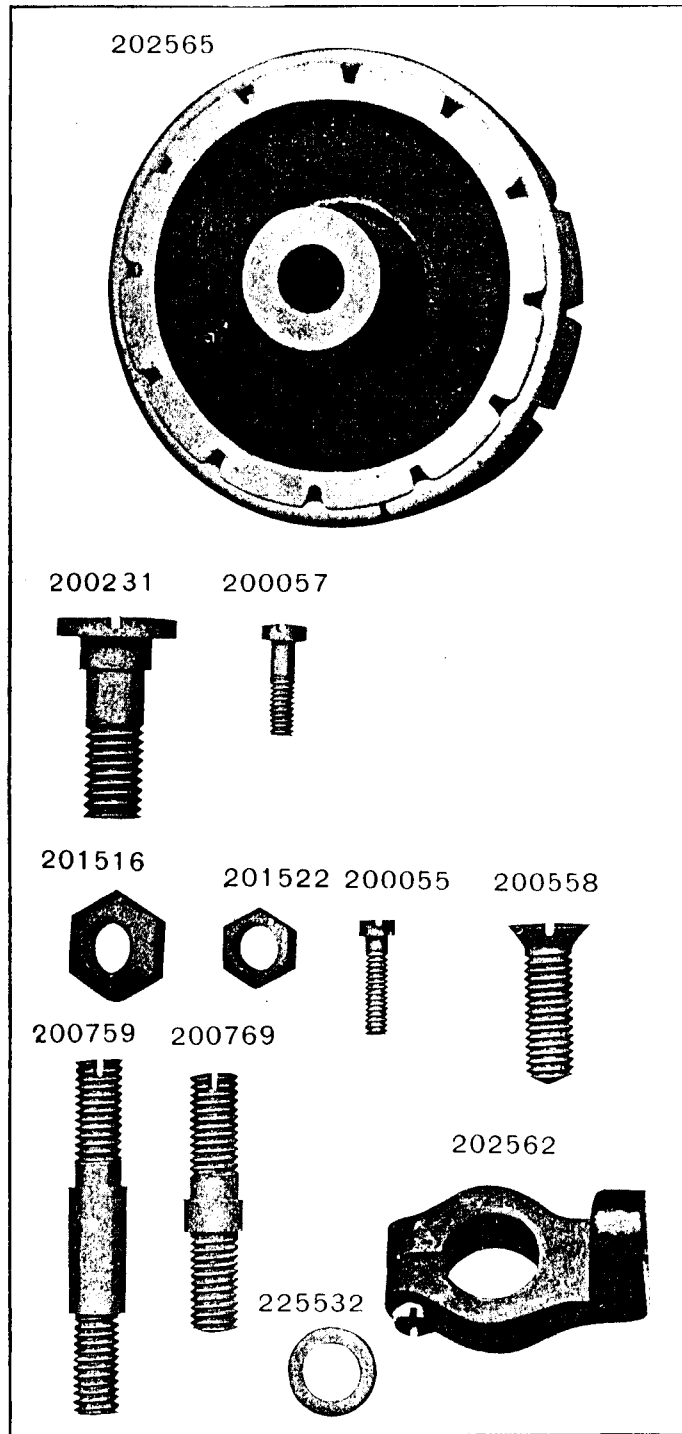


PLATE 10286—FULL SIZE

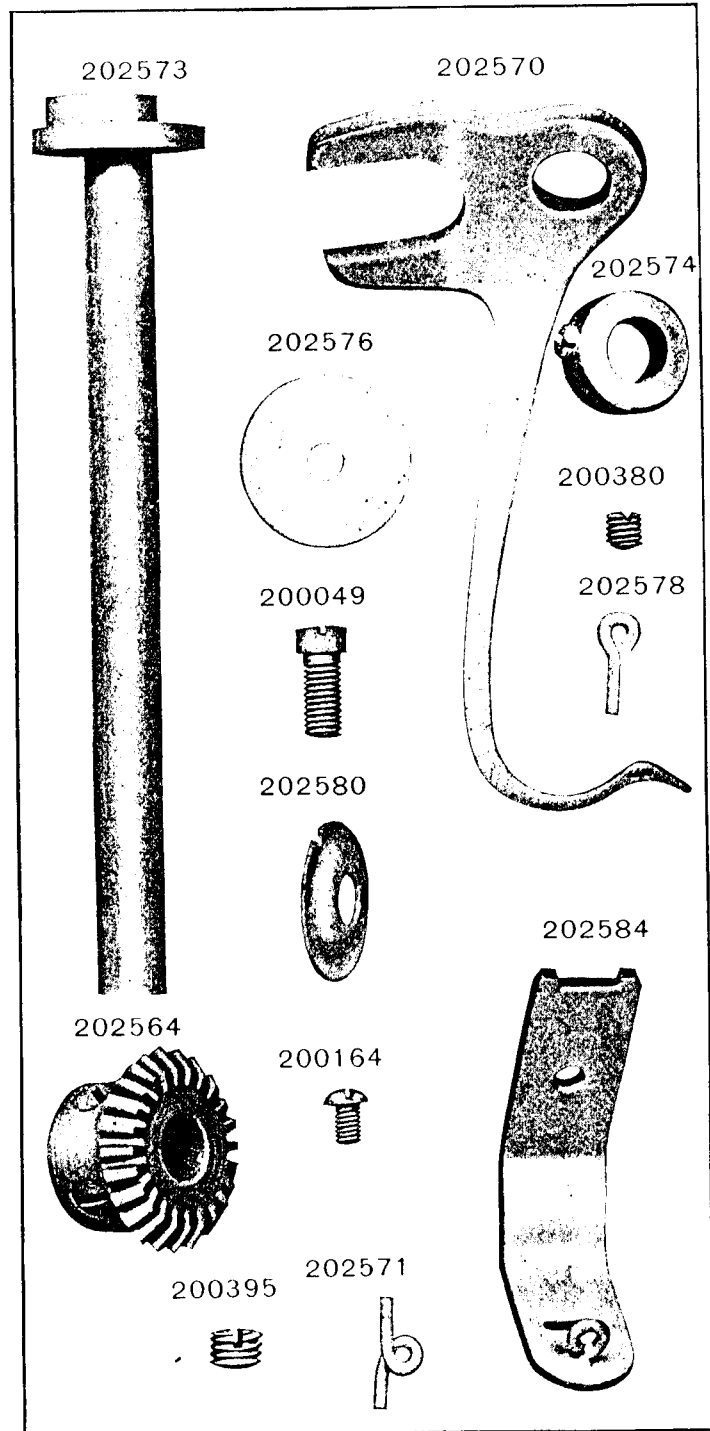


PLATE 10668—FULL SIZE

200475



200575



200374



200583



200378



200368



200079



200842



202619



202355



202872



202036



204925



204059



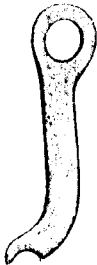
204235



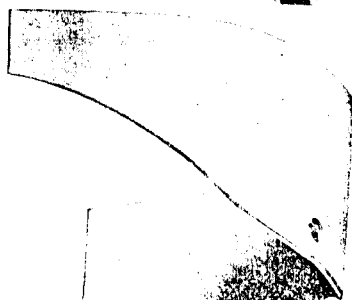
202534



202397



202332

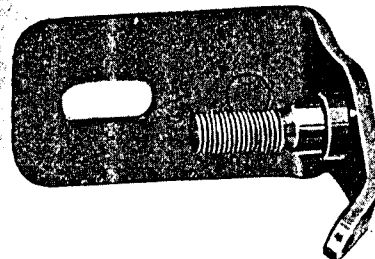


210554



PLATE 10881—FULL SIZE

225461



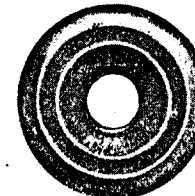
200082



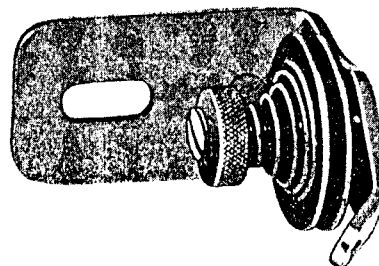
202104



2102



225462



202407



201499



201572



PLATE 10884—FULL SIZE

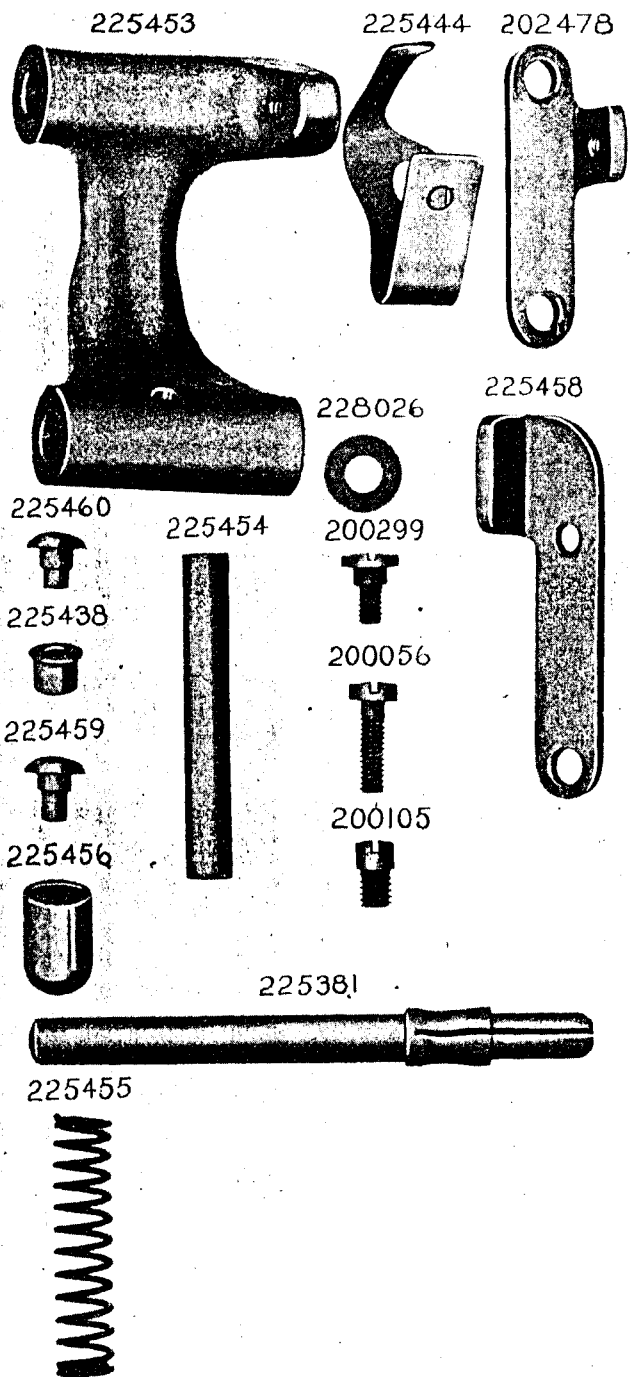


PLATE 10885—ONE-FOURTH SIZE

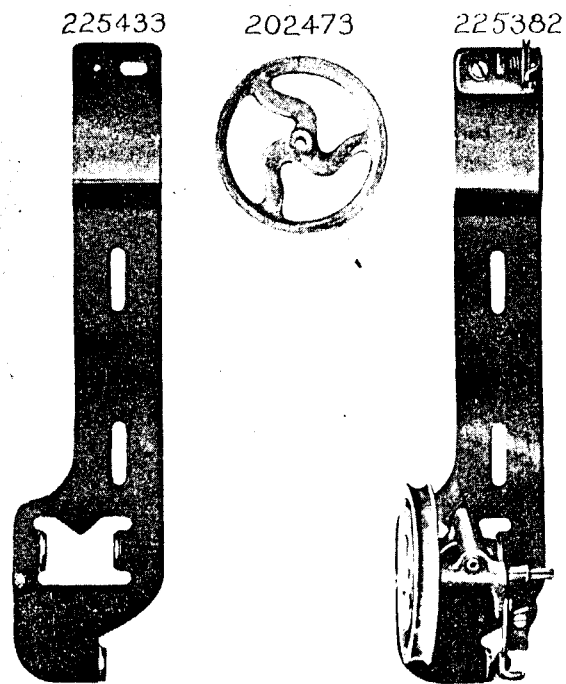


PLATE 10936 - ONE-FOURTH SIZE

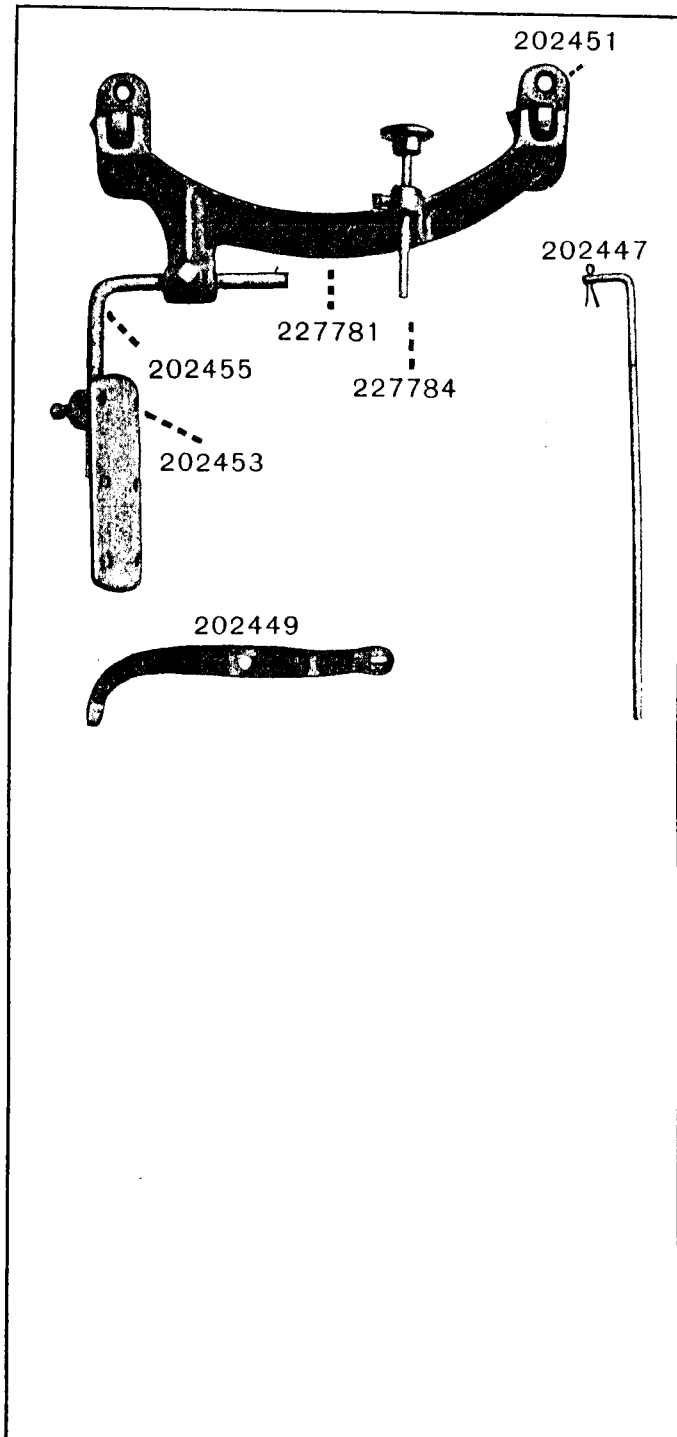


PLATE 10964 - FULL SIZE

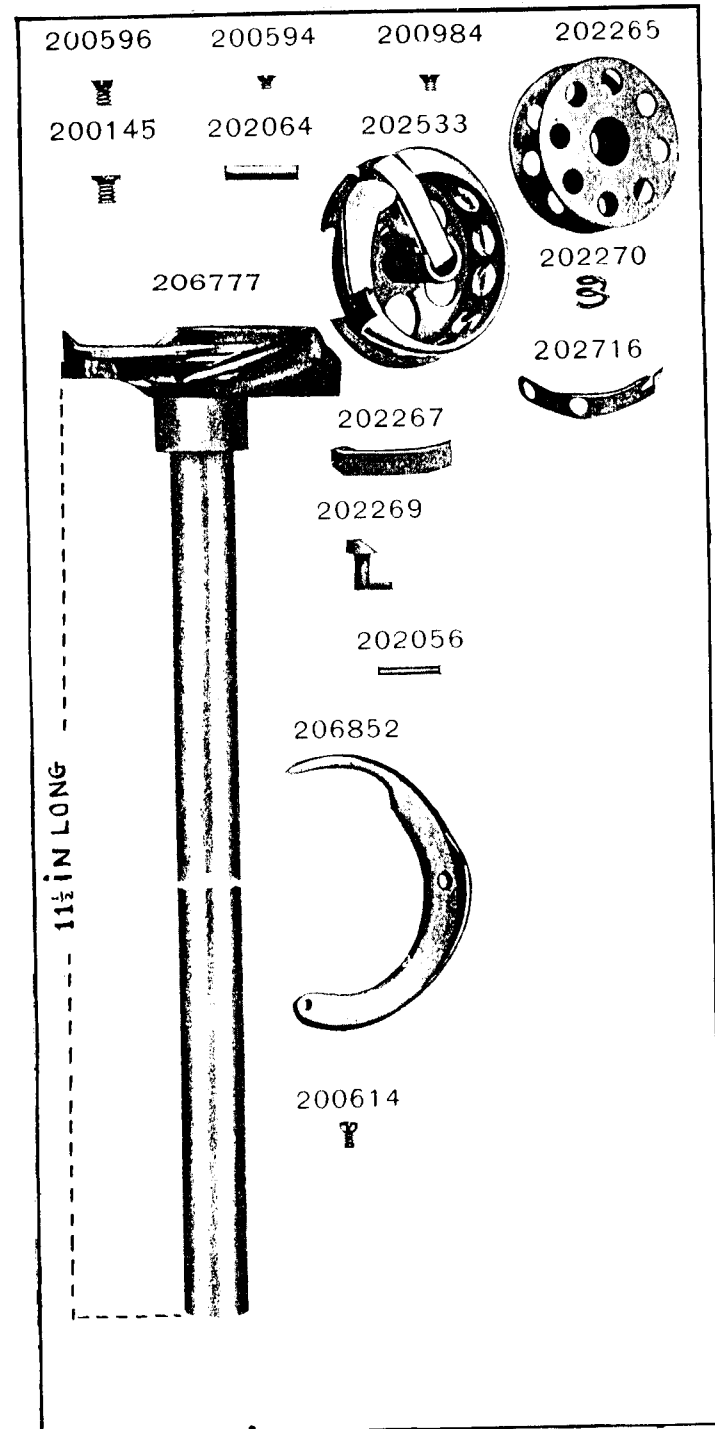


PLATE 13371—FULL SIZE

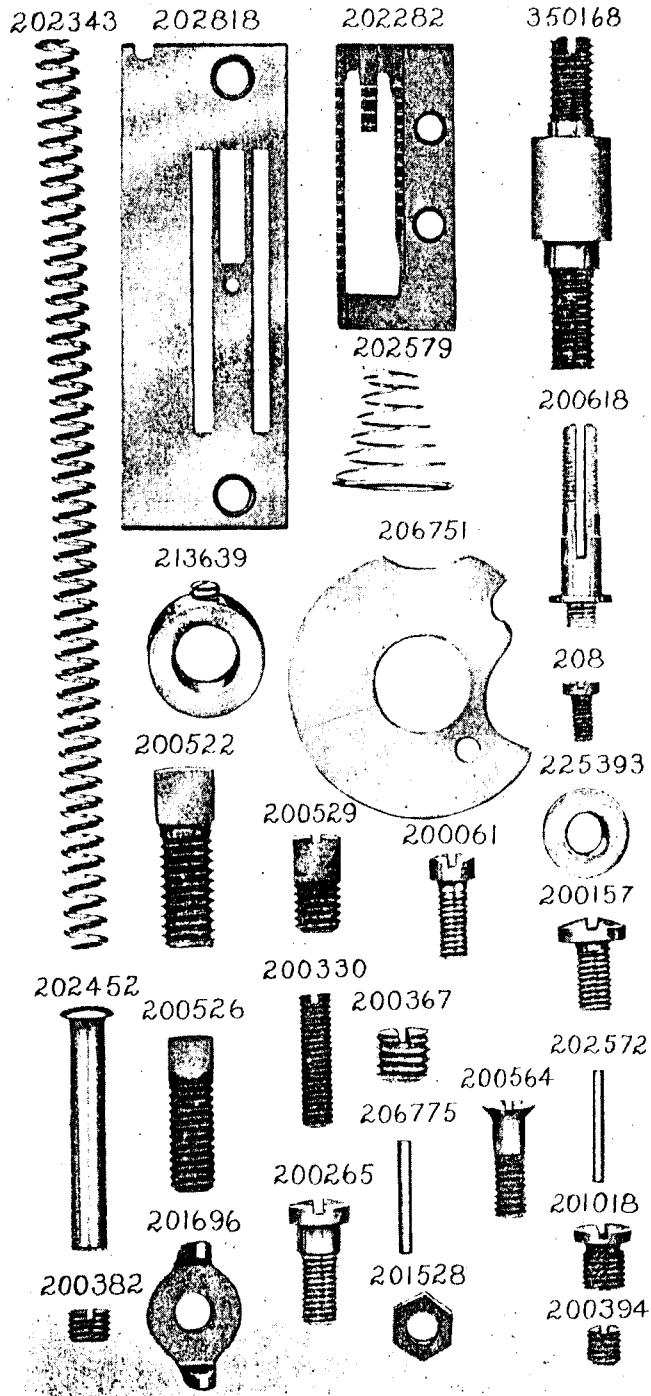


PLATE 13372—ONE-HALF SIZE

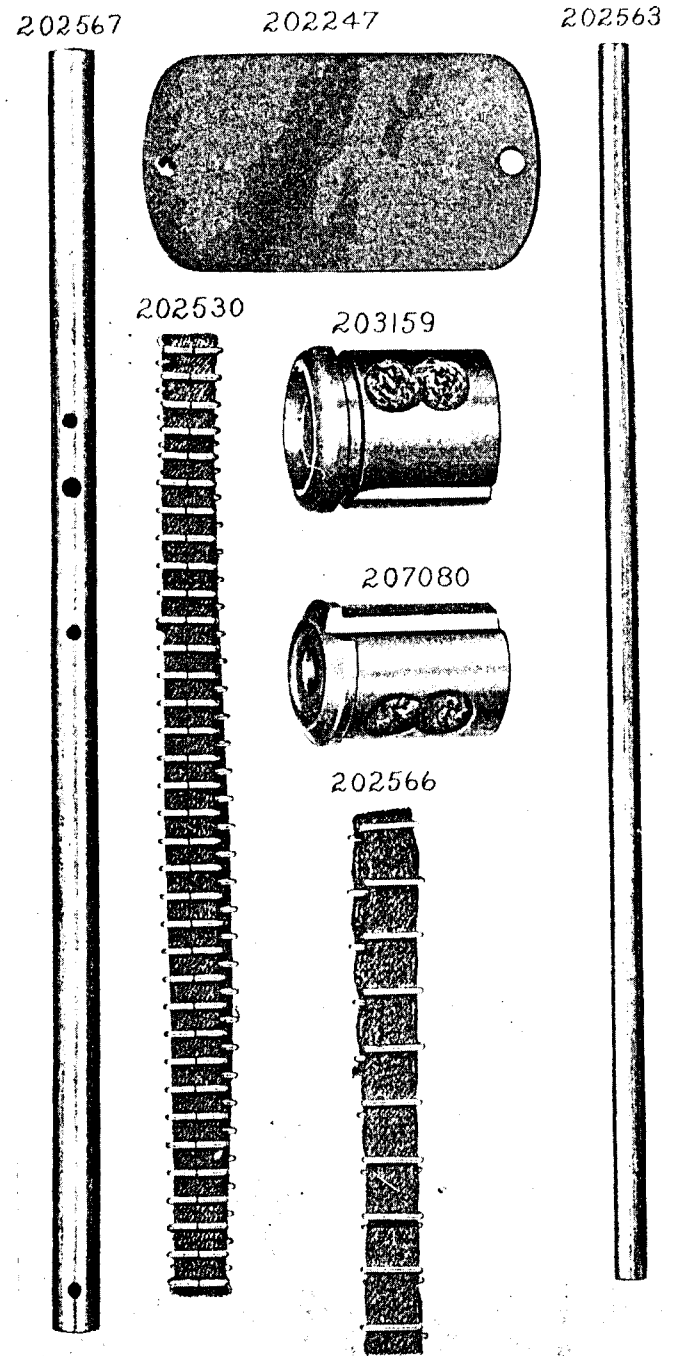


PLATE 13373—ONE-HALF SIZE

202335



207071



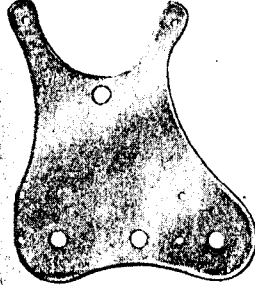
202275



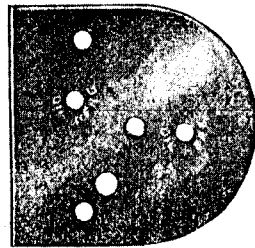
207083



202577



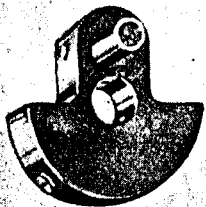
207082



208490



202328



202575

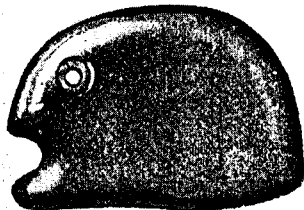


PLATE 13374—ONE-FOURTH SIZE

202303



202308



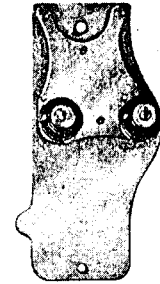
202306



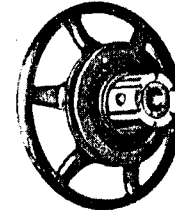
202297



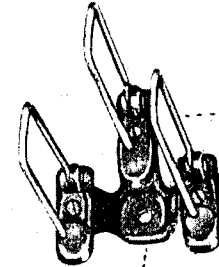
202961



202962



206542



204296

202068

206541

PLATE 14083—ONE-SIXTH SIZE

225377

60913

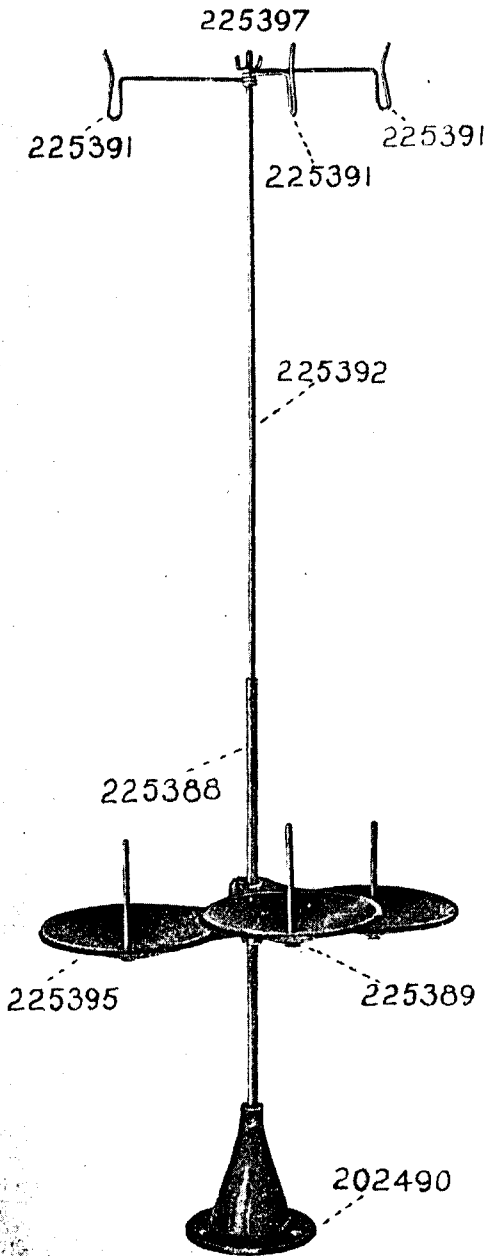


PLATE 14334—ONE-HALF SIZE

120342

225498

225497

