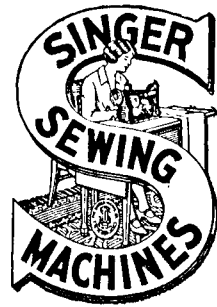


SINGER
47W67

LIST OF PARTS



MACHINE No. 47w67

THE SINGER MANUFACTURING COMPANY

INDEX

	Page
Accessories	15
Bobbin Winder	15
Foot Lifter	16
Honing Device	17
Machine No.47w67	5
Numerical List of Parts	19

INSTRUCTIONS FOR ORDERING

In ordering from this list, use **ONLY** the **PART** number in the **FIRST** column.

The number stamped on a Sewing Machine Part is the number of the Single Part only, except when the part includes Set Screws, Clamping Screws, Studs and Rollers Spun on, Small Wires riveted, or Parts soldered together, etc., which it is necessary to furnish in combination.

Every combination of parts sent out has its specific number which, although not stamped on Parts (except in above case), must be used when ordering the combination.

Each number always indicates the **SAME PART** in whatever list it appears, or for whatever Machine.

The letters after some of the numbers indicate the style of finish only, as follows:

- A. Hardened, Polished and Plated.
- B. Polished and Plated.
- C. Hardened only.
- D. Polished only.
- E. Soft, not polished.
- F. Hardened and Polished.
- H. Blued.
- J. Nickel Plated only.
- R. Merlized.
- Y. Black Nickel Plated only.

These letters **MUST BE USED** when they appear in the list and **AFTER** the number, as in the list.

In this series

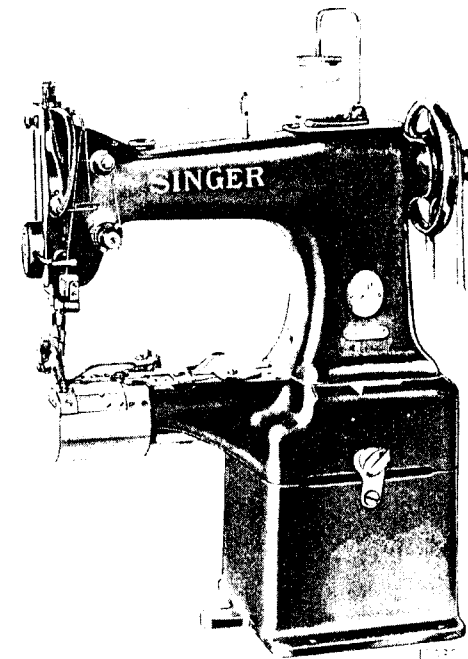
200001 to 201500 and 350001 to 351500 are Screw Numbers.
 201501 to 201800 and 351501 to 351800 are Nut Numbers.
 201801 to 202000 and 351801 to 352000 are Roller Numbers.
 202001 to 350000 are Numbers of Machine Parts.

The figures in the second column refer only to the plate in which the illustration of the part is shown and are **NOT TO BE USED** in ordering.

Two or more numbers over a cut indicate that the difference between such parts is not visible in an illustration.

Parts marked with an asterisk (*) are furnished only when repairs are made at the factory.

LIST OF PARTS COMPLETE FOR



MACHINE No. 47w67

HIGH SPEED. DROP FEED. CYLINDER BED

HORIZONTAL UNDERTRIMMER

FOR LEATHER

No.	Plate	Name
*233757	----	Arm with 202135
203091	15224	" Cap
200278H	15222	" " Screw
202248	15220	" " " Washer
203089	15224	" " Spool Holder Base
203090	15224	" " " " " " 203089 with 200079H and 204296
200585H	15222	Arm Cap Spool Holder Base Screw
204296	15224	" " " " Wire

PARTS FOR MACHINE 47W67

No.	Plate	Name
200079H	15222	Arm Cap Spool Holder Wire Hinge Screw
203092	-----	Arm Cap and Spool Holder complete, Nos. 203090, 203091 and two 200585H
204235	15222	Arm Position Pin (2)
200010E	15222	" Screw (3)
202005	15220	" " Washer (3)
233691	15225	" Shaft with 200357E and 224392
240802	15224	" " Bushing (back) with 202244
202244	-----	" " " " Oil Packing (wick)
200338C	15220	Arm Shaft Bushing (back) Set Screw
207080	15224	" " " (front) with 202244
202244	-----	" " " " Oil Packing (wick)
200502B	15220	Arm Shaft Bushing (front) Oil Packing Thumb Screw
200338C	15220	Arm Shaft Bushing (front) Set Screw
235003	15225	" " Connection Belt
224200	15224	" " " " Pulley with 200327C, 200602E and two 202253
200602E	15222	Arm Shaft Connection Belt Pulley Posi- tion Screw
200327C	15222	Arm Shaft Connection Belt Pulley Set Screw
202253	15222	Arm Shaft Connection Belt Pulley Spring Flange
233692	15224	Arm Shaft Connection Belt Timing Plate
200164B	15222	" " " " " " " Screw (2)
224392	-----	Arm Shaft Oil Packing (wick)
200357E	15222	" " " " Stop Screw
235096	15225	Balance Wheel (disc) (belt groove 2-1/2 in. diam.) with 200328C and 200335C
200328C	15222	Balance Wheel Position Screw
200335C	15222	" " Set Screw
*233901	-----	Bed (cylinder) with 201461C and 213380
233607	15227	" " Cap
222404	15222	" " " Position Pin (2)
200100D	15222	" " " Screw (2)
233902	15227	" " End Cover
213353	-----	" Base (6 in. high)
203184	15222	" Clamp
200262H	15222	" " Hinge Screw
202622	15220	" " Packing Washer
200728B	15222	" " Thumb Screw
203185	15222	" " Washer
202618	15225	" Hinge
200030H	15222	" " Screw (6)
233903	15227	" Slide (back)
233926	15227	" " " Support

PARTS FOR MACHINE 47W67

No.	Plate	Name
233904	15227	Bed Slide Clamp Plate (back)
233905	15227	" " " " (front)
200582H	15220	" " " " Screw (4)
203208	15223	Bobbin
203210	15223	" Case Base with 202056, 203211 to 203213 and 203216
203211	15223	Bobbin Case Base Latch
*202056	-----	" " " " Pin
203212	15223	" " " " Plunger
203213	15223	" " " " Spring
236780	15223	" " Cap with 200984C, 203214, 203215 and two 200594C
233636	15223	Bobbin Case Lever
*233640	-----	" " " Eccentric
221147	15223	" " " " Position Pin
203576	15223	" " " Fulcrum with 203579
200110D	15223	" " " " Screw
203578	15223	" " " Slide
203579	15223	" " " " Stud
203214	15223	" " Tension Spring
200984C	15220	" " " " Regulating Screw
200594C	15223	Bobbin Case Tension Spring Screw
203215	15223	" " Thread Guide
200594C	15223	" " " " Screw
203216	-----	" " Washer (cloth)
236781	-----	Bobbin Case complete, Nos. 203210 and 236780
238531	15223	Edge Guide with 200141F
237415	15227	" " Bracket
237416	-----	" " " 237415 with 200273B, 201528H, 238531, 238533 and two 200132E
233927	15224	Edge Guide Bracket Base
200059C	15223	" " " " Screw
200273B	15223	" " Hinge Screw
201528H	15223	" " " " Nut
200082D	10881	" " Screw
228026	10884	" " Washer
238533	15223	" " Spring
200132E	15223	" " " Screw
200141F	15223	" " Stop Screw
233928	-----	Edge Guide complete, Nos. 200059C, 200082D, 228026, 233927 and 237416
241753	15225	Face Plate
202135	15223	" " Position Pin
200462B	15223	" " Thumb Screw
233694	15226	Feed Bar with 213610
213298	15226	" " Connecting Link with two 200072C
200072C	15226	Feed Bar Connecting Link Pinch Screw

PARTS FOR MACHINE 47W67

No.	Plate	Name
200935F	15220	Feed Bar Connecting Link Screw Stud
201531E	15226	" " " " " " Nut
213610	15220	" " " " Stud
233907	15226	" Dog
350149E	15226	" " Screw, for use with platform throat plates
221163	15226	Feed Dog Stop Washer, for use with platform throat plates
235082	15224	Feed Driving Eccentric Regulating Bracket
233612	-----	Feed Driving Eccentric Regulating Bracket 235082 with 224200, two each 201408C and 201525E
201408C	15226	Feed Driving Eccentric Regulating Bracket Hinge Screw
201525E	15220	Feed Driving Eccentric Regulating Bracket Hinge Screw Nut
202301	15226	Feed Driving Eccentric Regulating Bracket Plunger
202595	15226	Feed Driving Eccentric Regulating Bracket Plunger Spring
200607C	15226	Feed Driving Eccentric Regulating Bracket Plunger Spring Stop Screw
201408C	15226	Feed Driving Eccentric Regulating Bracket Stop Screw
201525E	15220	Feed Driving Eccentric Regulating Bracket Stop Screw Nut
200429C	15226	Feed Driving Eccentric Regulating Screw
200383C	15226	" " " " " "
		Check Screw
233908	15225	Feed Driving Rock Shaft
233614	15226	" " " " Bearing
201525E	15220	" " " " Nut
235066	15224	" " " " Bushing
200346C	15226	" " " " Set Screw
203244	15220	" " " " Collar with two 200393C
200393C	15220	Feed Driving Rock Shaft Collar Set Screw
235842	15225	" " " " Connection with 200054E and 202277
200919C	15226	Feed Driving Rock Shaft Connection Hinge Screw
201522E	15220	Feed Driving Rock Shaft Connection Hinge Screw Nut
202277	-----	Feed Driving Rock Shaft Connection Oil Packing (wick)
200054E	15228	Feed Driving Rock Shaft Connection Pinch Screw
210559	15226	Feed Driving Rock Shaft Connection Stop Collar with two 200378C

PARTS FOR MACHINE 47W67

No.	Plate	Name
200378C	15226	Feed Driving Rock Shaft Connection Stop Collar Set Screw
221164	15226	Feed Driving Rock Shaft Crank with 200038C
200038C	15220	Feed Driving Rock Shaft Crank Pinch Screw
233695	15228	Feed Lifting Cam with 200392C and 200447C
200447C	15220	Feed Lifting Cam Position Screw
233696	15226	" " " Retainer
200583H	15220	" " " " Screw
200392C	15228	" " " Set Screw
233615	15224	" Regulating Spindle with 202311, 202443 and 202619
*202311	-----	Feed Regulating Spindle Head
202443	15228	" " " " Pin
202619	15228	" " " " Position Pin
203061	15225	Foot Lifter Lifting Lever
200262H	15222	" " " " Hinge Screw
233390	15228	" " " " " "
		Washer
233909	15226	Foot Lifter Lifting Lever Position Spring
200273D	15223	Foot Lifter Lifting Lever Position Spring Screw
*203482	-----	Hook (sewing)
237726	15228	" 203482 with 201253F, 201376F and 221148
233925	-----	Hook and Bobbin Case complete, Nos. 236781 and 237726
233697	15228	Hook Bevel Gear Socket, 18 teeth
200556H	15228	" " " " Screw
233698	15228	" " Pinion with two 200386C
200386C	15220	" " " Set Screw
235015	15227	" Driving Counter Shaft
235016	15227	" " " " Bushing (back)
200346C	15226	" " " " " "
		Set Screw
235017	15227	Hook Driving Counter Shaft Bushing (front)
200346C	15226	Hook Driving Counter Shaft Bushing (front) Set Screw
235018	15228	Hook Driving Counter Shaft Gear with 200382C and 200398C
200398C	15228	Hook Driving Counter Shaft Gear Position Screw
200382C	15220	Hook Driving Counter Shaft Gear Set Screw

No.	Plate	Name
235019	15228	Hook Driving Counter Shaft Oil Tube (brass)
233699	15225	Hook Driving Shaft
235021	15227	" " " Bushing (back)
200346C	15226	" " " " " Set Screw
213380	15220	" " " " (front)
201461C	15228	" " " " " Position Screw
203244	15220	Hook Driving Shaft Collar (front) with two 200393C
200393C	15220	Hook Driving Shaft Collar (front) Set Screw
235064	15224	Hook Driving Shaft Connection Belt Pulley with 202253 and two 201254C
201254C	15228	Hook Driving Shaft Connection Belt Pulley Set Screw
202253	15222	Hook Driving Shaft Connection Belt Pulley Spring Flange
235018	15228	Hook Driving Shaft Gear with 200382C and 200398C
200398C	15228	Hook Driving Shaft Gear Position Screw
200382C	15220	" " " " Set Screw
221148	15228	" Gib
201376F	15228	" " Hinge Screw
201253F	15228	" " Screw
233622	15228	" Saddle
202299	-----	" " Oil Packing (wick)
200541E	15228	" " Screw (2)
235837	15220	" " " Washer (2)
233910	-----	Hook Saddle complete, Nos. 200110D, 200556H, 202299, 203576, 203578, 233622, 233636, 233637, 233697 and 233925
233637	15228	Hook Washer with 233640 and three 221147
233911	15229	Knife
200392C	15228	" Adjusting Screw
233912	15229	" Driving Cam with two 200394C
200394C	15229	" " " Set Screw
233913	15227	" " Lever with 16232
233924	15227	" " " Fork
233914	15227	" " " " Bracket with 233924 and two 232348
233915	-----	Knife Driving Lever Fork Bracket 233914 with 104D and 24173
200160B	15229	Knife Driving Lever Fork Bracket Screw
233916	-----	Knife Driving Lever Fork Bracket complete, Nos. 200160B, 233911, 233913, 233915, 233917 to 233920, 235357, 238516, 350154C, two each 201260B and 350341H
24173	15229	Knife Driving Lever Fork Swivel

No.	Plate	Name
104D	15229	Knife Driving Lever Fork Swivel Screw
233917	15227	" " " Hinge Plate
200577H	15229	" " " " " Screw (4)
350154C	15229	" " " " " Screw
238516	15229	" " " " " Bearing
232348	15229	" " " " Position Pin
233918	15227	" Lever with 200392C
233919	15229	" " Hinge Bearing
201260B	15229	" " " " " Screw
233920	15229	" " Stop (adjustable)
16232	15229	" " " Ball
201260B	15229	" " " " " Screw
235357	15229	" " " " " Washer
350341H	15229	" Screw
241622	15230	Needle Bar with 200141F
202693	15230	" " Bushing
350164C	15229	" " " Set Screw
202552	15229	" " Connecting Link
236073	15229	" " " " " Oil Guard
200161D	15229	" " " " " " Screw
202333	15229	" " " " " Stud with 202254
202254	-----	Needle Bar Connecting Link Stud Oil Packing (wick)
200383C	15226	Needle Bar Connecting Link Stud Set Screw
200374C	15229	Needle Bar Connecting Link Stud Set Screw
*206891	-----	Needle Bar Connecting Stud
202329	15229	" " " " " 206891 with 200086C and 202330
202330	-----	Needle Bar Connecting Stud Oil Packing (wick)
200086C	15229	Needle Bar Connecting Stud Pinch Screw
202692	15230	" " Crank with 200335C, 200374C, 200383C, 200428C and 202333
203172	15231	Needle Bar Crank Friction Washer
200428C	15231	" " " " " Position Screw
200335C	15222	" " " " " Set Screw
200141F	15223	" Set Screw
208260	15230	Presser Bar Bushing
200363C	15231	" " " " " Set Screw
208313	15231	" " " Lifter
200653C	15231	" " " " " Hinge Screw
244004	15231	" " " " " Lifting Releasing Lever Bracket
200260D	15231	Presser Bar Lifting Releasing Lever Bracket Guide Screw
206608	15231	Presser Bar Lifting Releasing Lever Bracket Spring

PARTS FOR MACHINE 47w67

No.	Plate	Name
202337	15231	Presser Bar Position Guide
202338	15231	" " " " Lever with 200086F
200086F	15229	Presser Bar Position Guide Lever Pinch Screw
200352C	15220	Presser Bar Position Guide Set Screw
236089	15231	" " Spring
202346	15230	" " Stop Rod
200492B	15231	" " Thumb Screw (pressure reg- ulating)
200475B	13996	Presser Bar Thumb Screw Thumb Set Screw
202355	13996	" " " " " "
		Packing (brass)
201928	15231	Roller Presser, 1-1/4 in. diam., 3/16 in. face (fine), with 1528J, 1766C, 50553C and twenty-four 16232
203426	15232	Roller Presser Arm
203427	-----	" " " 203426 with 201928
202560	15232	" " " Bracket (swing)
203428	-----	" " " 202560 with 200096D and 203427
200675F	15232	Roller Presser Arm Bracket Position Screw Stud
202558	15232	Roller Presser Arm Bracket Spring
202559	15232	" " " " " Stop
200141F	15223	" " " " " "
		Screw
200096D	15232	Roller Presser Arm Screw
16232	15229	" " Ball, 3/32 in. diameter
1766C	15232	" " Cone
202557	15230	" " Bar
50553C	15232	" " Hinge Screw
1528J	15232	" " " Nut
207078	-----	Roller Presser and Bar complete, Nos. 200675F, 202557 to 202559, 203428 and two 200141F
224372	15232	Take-up Lever
202399	15232	" " Driving Stud with 202277
202277	-----	" " " Oil Packing (wick)
202400	15232	Take-up Lever Hinge Stud with 202423
202423	-----	" " " Oil Packing (wick)
200374C	15229	Take-up Lever Hinge Stud Set Screw
202401	-----	" " Oiling Felt
200132E	15223	" " " Screw
244048	15232	Tension Disc (back)
244049	15232	" " (front)
202404	15232	" Release Plunger
244061	15232	" " Washer

PARTS FOR MACHINE 47w67

No.	Plate	Name
202407	10881	Tension Spring
263106	15232	" " Washer
200625F	15232	" Stud with 204925
200061C	15232	" " Set Screw
204925	13996	" " Washer
201572B	10881	" Thumb Nut
244062	-----	Tension complete, Nos. 200625F, 201572B, 202407, 202410, 244048, 244049, 244061 and 263106
202410	13996	Thread Controller Spring
202411	15233	" " " Stop
200132E	15223	" " " Screw
202412	15233	" Guide
202413	15233	" "
202414	15233	" "
200397H	15220	" " Set Screw
241755	-----	" Lubricator Oil Pad (felt)
241756	15230	" " " Holder
240439	15230	" " " Retainer
241758	15230	" " Reservoir
241759	-----	" " Wick
350280F	15233	" " Screw
214838	15233	" " Washer
241760	-----	Thread Lubricator complete, Nos. 214838, 240439, 241755, 241756, 241758, 241759 and 350280F
202091	13996	Thread Retainer Sleeve
202092	13996	" " Spring
204058	13996	" " Stud
200368H	13996	" " Set Screw
223710	13996	" (lower) with 200397H
241727	15233	" " Bracket with 202108
202108	15233	" " Position Pin
350238D	15233	" " Screw
200583H	15220	" " Screw
210993	15233	" " Sleeve
223844	15233	" " Spring
210957	15233	" " Stud
210958	15233	" " Collar
200397H	15220	" " Set Screw
223711	-----	Thread Retainer (lower) complete, Nos. 210957, 210958, 210993, 223710 and 223844
241728	-----	Thread Retainer and Bracket complete, Nos. 223711, 241727 and two 200583H
204059	-----	Thread Retainer complete, Nos. 202091, 202092 and 204058
233921	15233	Throat Plate Body
233922	15233	" " Needle Plate, 56 elongated needle hole, for needle sizes 12 and 13, minimum trimming margin .035 inch

No.	Plate	Name
200587D	13996	Throat Plate Needle Plate Screw
233923	-----	Throat Plate complete, 56 elongated needle hole, for needle sizes 12 and 13, Nos. 233921, 233922 and two 200587D
200118E	15233	Throat Plate Screw (2)

Genuine Singer Needles should be used
in Singer Machines.
These Needles and their Containers
are marked with the
Company's Trade Mark "SIMANCO." 1

Needles in Containers marked
"For Singer Machines"
are not Singer made needles. 2

ACCESSORIES

No.	Plate	Name
203208	15223	Bobbin (5)
*225482	-----	" Case Screw Driver Blade
*225483	-----	" " " " Handle
225497	11156	Bobbin Case Screw Driver complete, Nos. 225482 and 225483
128 x 4	-----	Needles, two each, sizes 11, 12 and 13
227104	-----	Drip Pan (cast iron, square) with one wood screw 1-1/2 in., No. 14, R.H.B.
233911	15229	Knife
238542	15233	" Screw Wrench
51078	15220	Machine Bolt (4)
6055	15220	" " Washer (4)
41401	11156	" Rest Pin (wood)
120342	11156	Oiler (copper plated) with 120343
120343	11156	" Spout, 3-1/2 in. long
*225484	-----	Screw Driver Blade
*225485	-----	" " Handle
225498	11156	Screw Driver complete (7-1/4 in. long), Nos. 225484 and 225485
4822	15233	Roller Presser Hinge Screw Nut Wrench
225554	11156	Wrench (steel)

BOBBIN WINDER

Swing Automatic, Right Hand

225453	10884	Frame with 202277 and 225438
225454	10884	" Hinge Pin
202277	-----	" Oil Packing (wick)
225438	10884	" " Well Cap
225455	10884	" Spring
225456	10884	" " Plunger
202473	10885	Pulley with 200380C
200380C	15233	" Set Screw
225381	10884	Spindle
225444	10884	Stop Latch
200056E	10884	" " Screw
225458	10884	" " Thumb Lever
225459	10884	" " " " Hinge Stud
225459	10884	" " " " Joint Stud
202478	10884	" " Trip Lever
200299H	10884	" " " " Hinge Screw

ACCESSORIES

No.	Plate	Name
225461	10881	Tension Bracket with 201499B
200082D	10881	" " Screw
228026	10884	" " " Washer
2102	10881	" Disc
202407	10881	" Spring
201499B	10881	" Stud
201572B	10881	" " Thumb Nut
225462	10881	Bobbin Winder Tension Bracket complete, Nos.201572B,202407,225461 and two 2102
225433	10885	Bobbin Winder and Tension Bracket Base
225382	10885	Universal Bobbin Winder complete, Nos. 200056E,200082D,200299H,202473,202478 225381,225433,225444,225453 to 225456 225458,225462,228026,two each 225459 and wood screws 3/4 in.,No.12,R.H.B.

FOOT LIFTER

227952	11156	Foot Lifter Lever with 227954
227678	11156	" " " Chain,48 in. long, with 202784
227954	15233	Foot Lifter Lever Chain Hook (lower)
202784	15234	" " " " " (upper)
225016	15233	" " " Hinge Pin
227953	11156	" " " Stand with two wood screws 1 in.,No.12
227955	11156	Foot Lifter Lever complete,Nos.225016, 227678,227952 and 227953

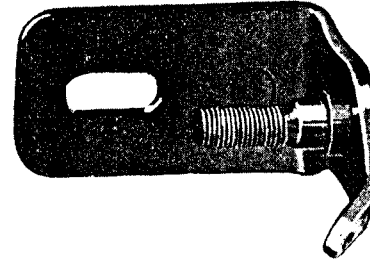
(Other Foot Lifter parts are listed with parts of machine head.)

HONING DEVICE

No.	Plate	Name
259281	15225	Base with 457C and two 899D
259282	-----	" 259281 with 674D,721D,259274 to 259277,259309,259310,350372C and 350373J
259266	15230	Knife Holder Clamp
259267	15230	" " " Base
259268	-----	" " " " 259267 with 771J, 1359J,36006,41544,259266,259269 and 259284
899D	15234	Knife Holder Clamp Base Locking Thumb Screw
1359J	15234	Knife Holder Clamp Hinge Screw
36006	15234	" " " " " Washer
259269	15234	" " " Spring
259284	15234	" " " Washer
771J	15234	" " Clamping Thumb Screw
41544	15234	" " " " " Washer
259270	15230	" Hone
259271	15234	" " Clamp
215057	15234	" " " Position Pin
200466B	15234	" " " Thumb Screw
259272	15225	" " Holder with two 215057
259273	-----	" " " 259272 with 259270,two each 200466B and 259271
259274	15234	Knife Hone Holder Guide
259275	15230	" " " " Collar
721D	15234	" " " " " Set Screw
259276	15230	" " " " " Yoke
674D	15234	" " " " " " Hinge Screw
259277	15230	Knife Hone Holder Guide Collar Yoke Hinge Screw Bushing
350372C	15234	Knife Hone Holder Guide Collar Yoke Hinge Screw Bushing Set Screw
350373J	15234	Knife Hone Holder Guide Thumb Set Screw
259310	15234	" Stop Pin (long)
259309	15234	" " " (short)
457C	15234	" " " Set Screw
899D	15234	" " " Thumb Screw
259283	-----	Honing Device complete,Nos.259268,259273 259282,Form 2399w and three wood screws 1-1/2 in.,No.8

PLATE 10881—FULL SIZE

225461



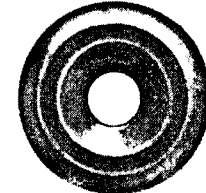
200082



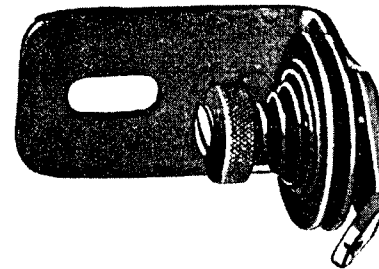
202104



2102



225462



202407



201499



201572



Genuine Singer Needles should be used
in Singer Machines.
These Needles and their Containers
are marked with the
Company's Trade Mark "SIMANCO." 1

Needles in Containers marked
"For Singer Machines"
are not Singer made needles. 2

PLATE 10884 - FULL SIZE

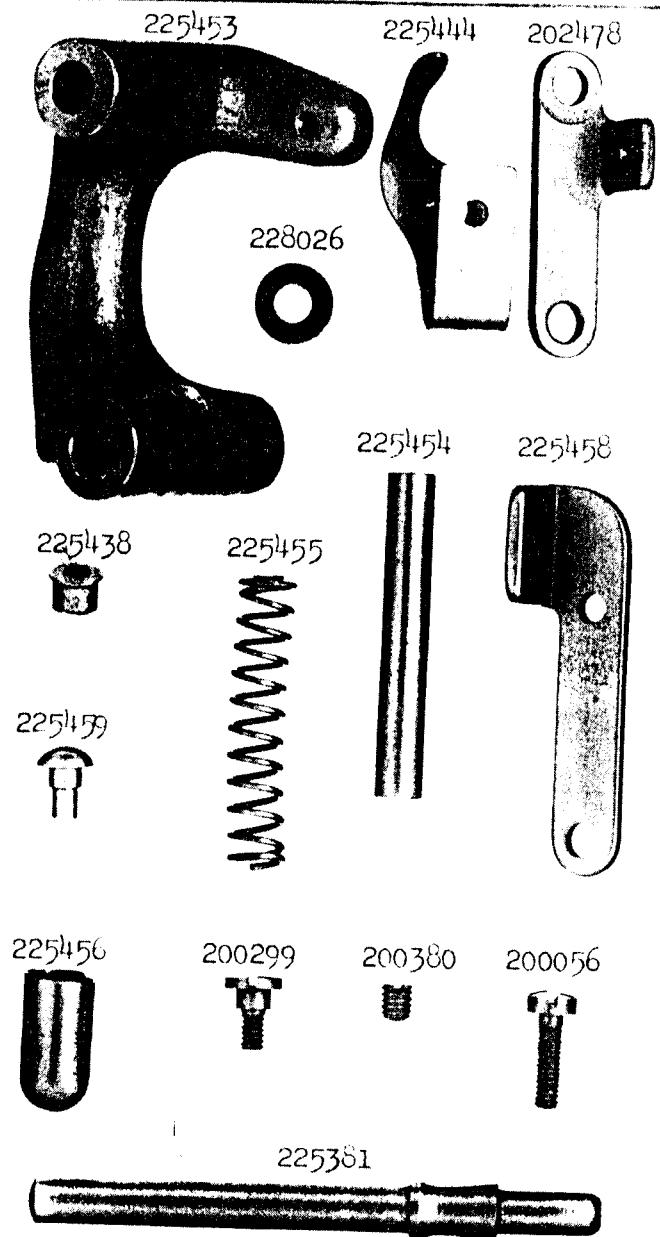


PLATE 10885 - ONE-FOURTH SIZE

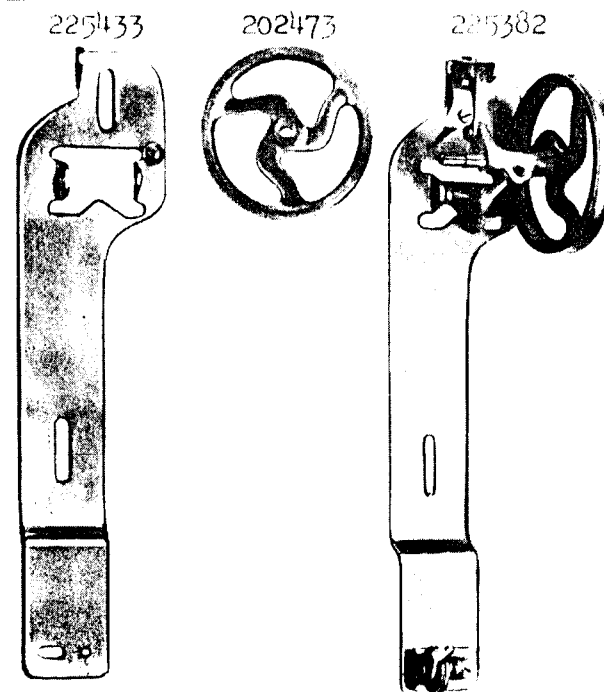


PLATE 11156--ONE-FOURTH SIZE

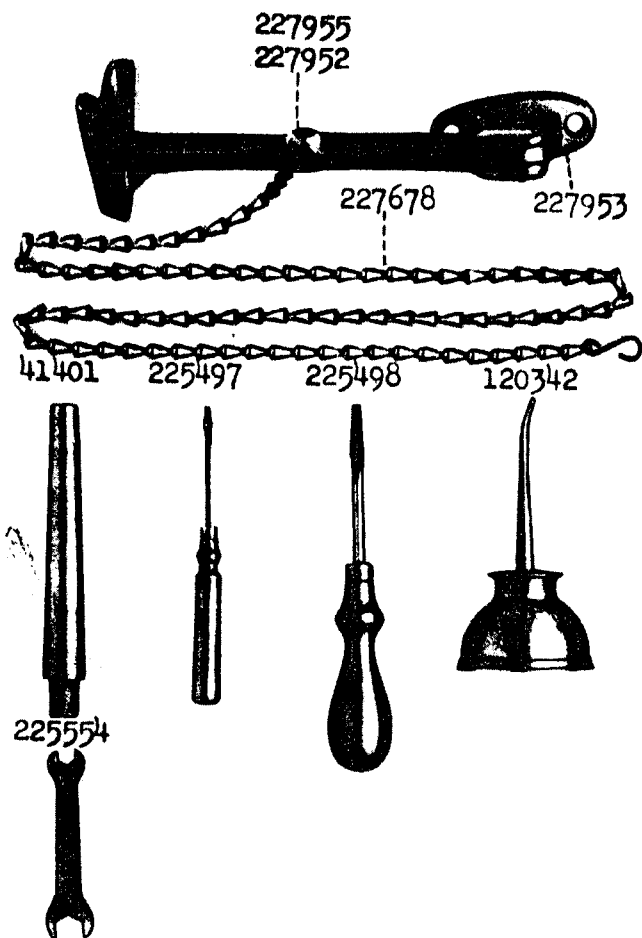


PLATE 13996--FULL SIZE

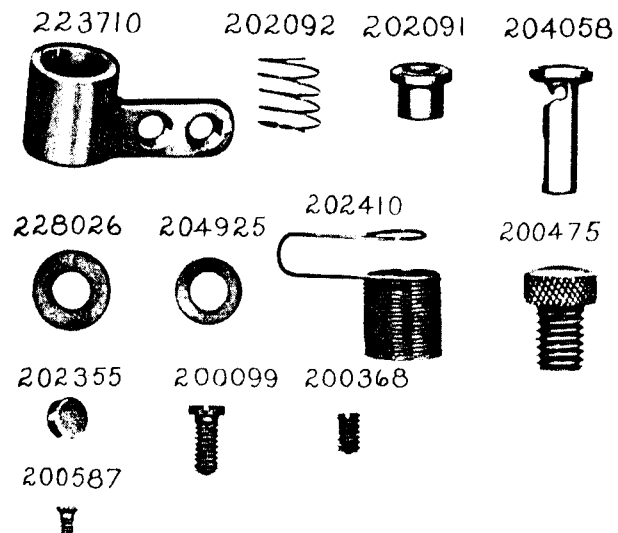


PLATE 15220—FULL SIZE

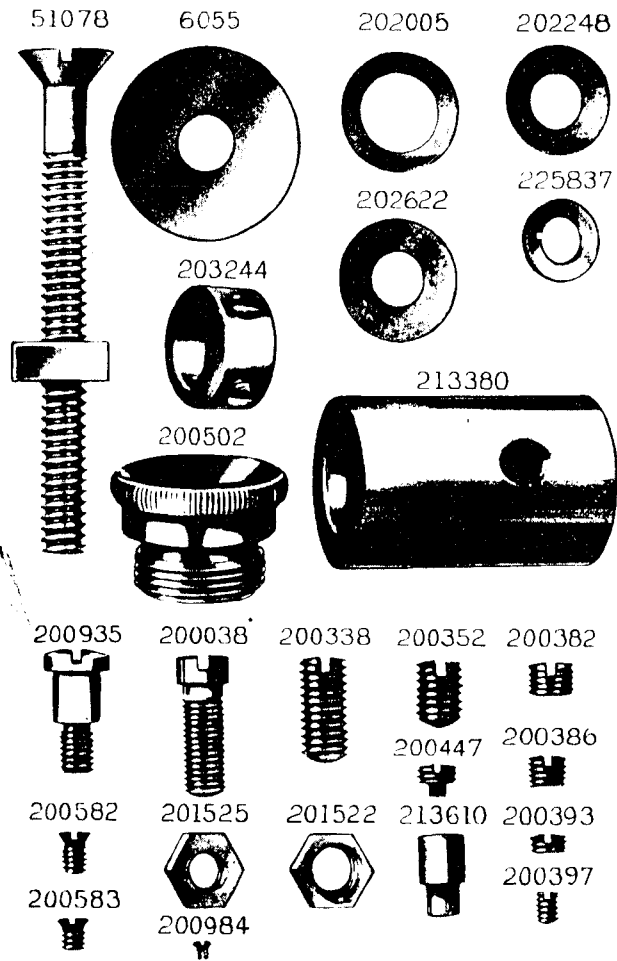


PLATE 15222—FULL SIZE

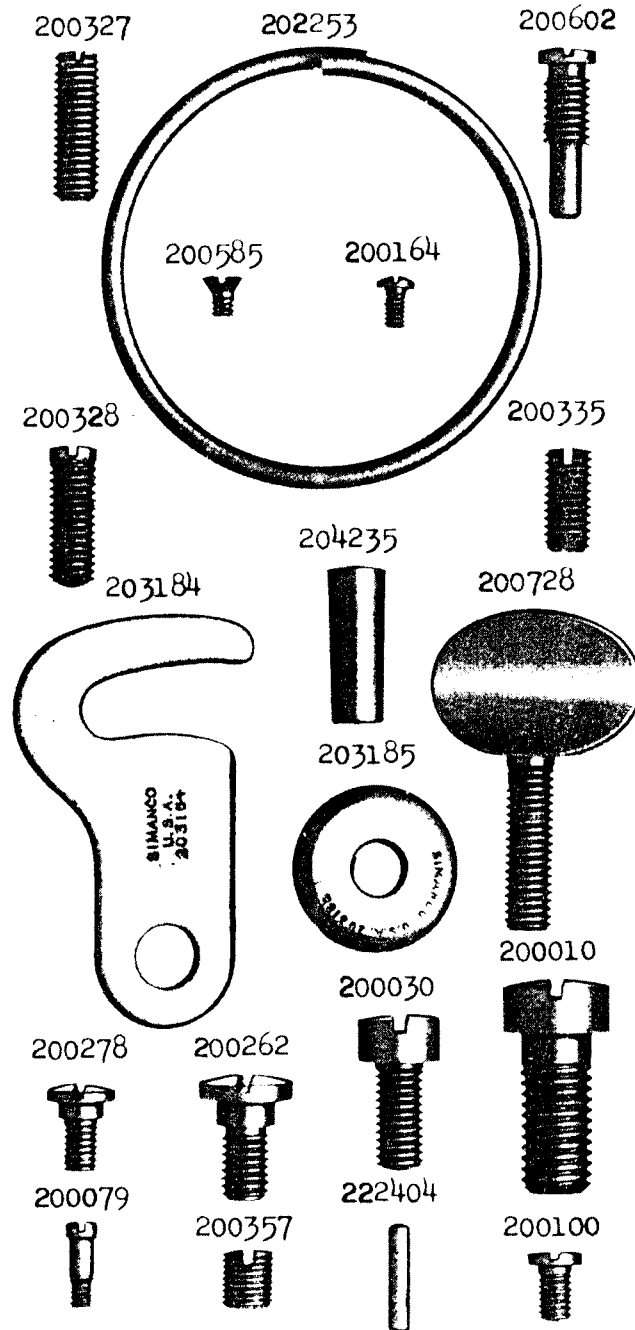


PLATE 15223 - FULL SIZE

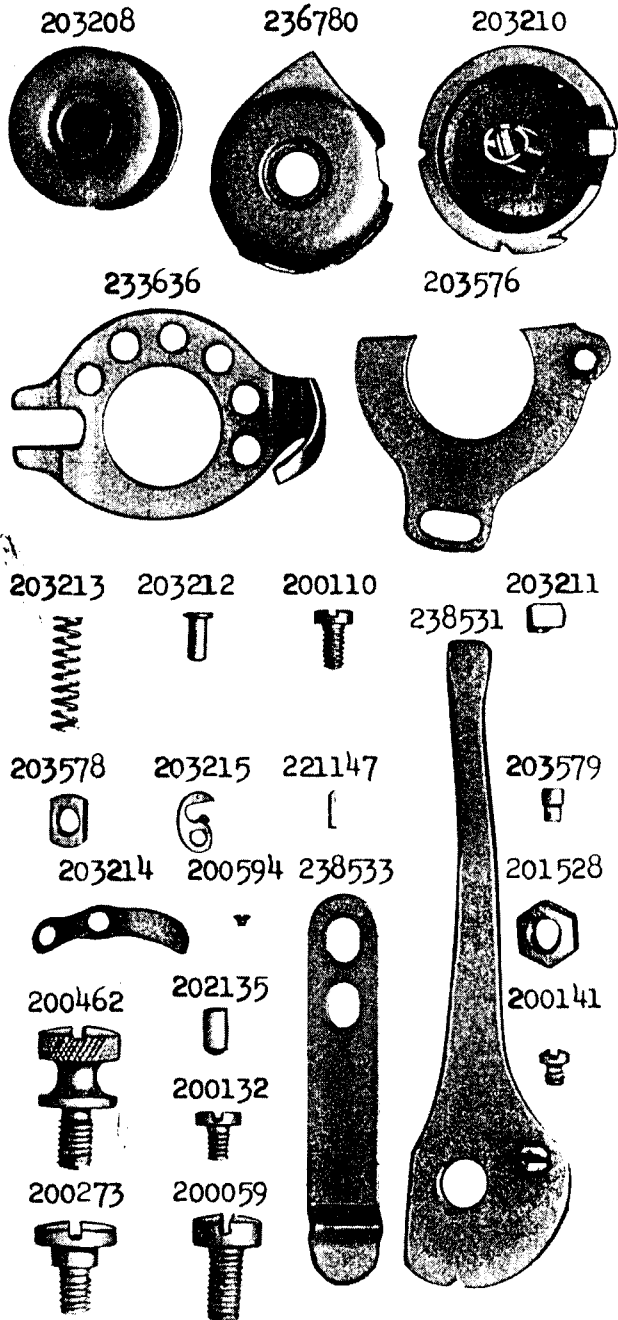


PLATE 15224 - ONE-HALF SIZE

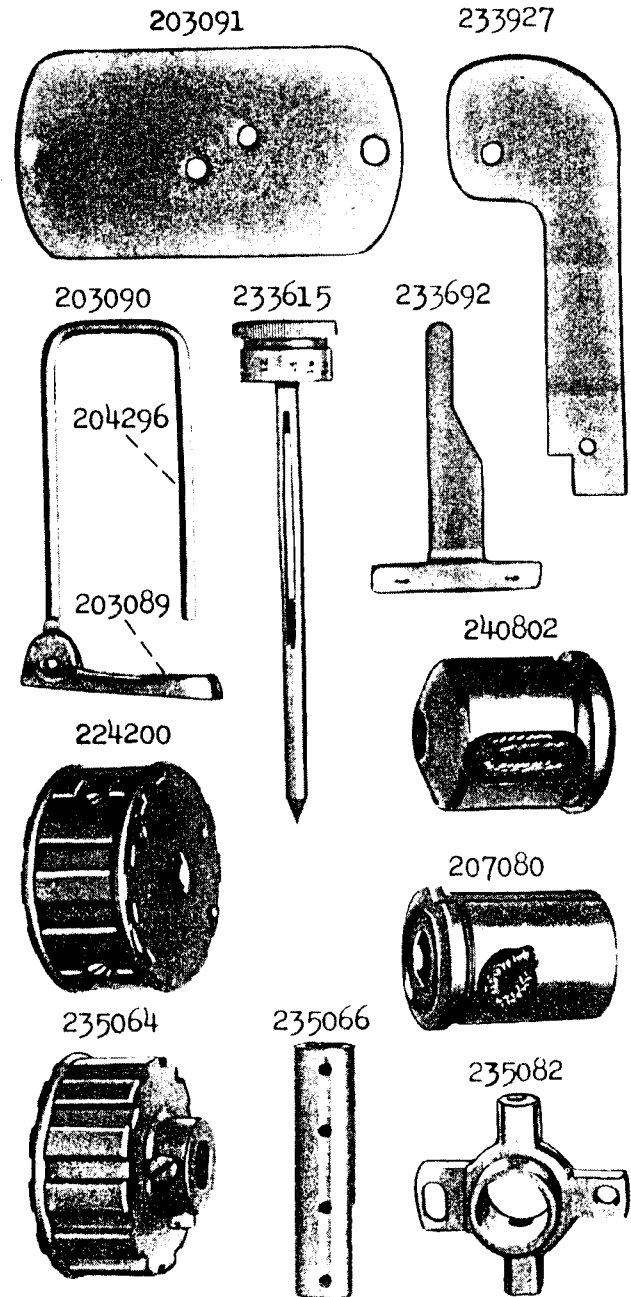


PLATE 15225—ONE-FOURTH SIZE

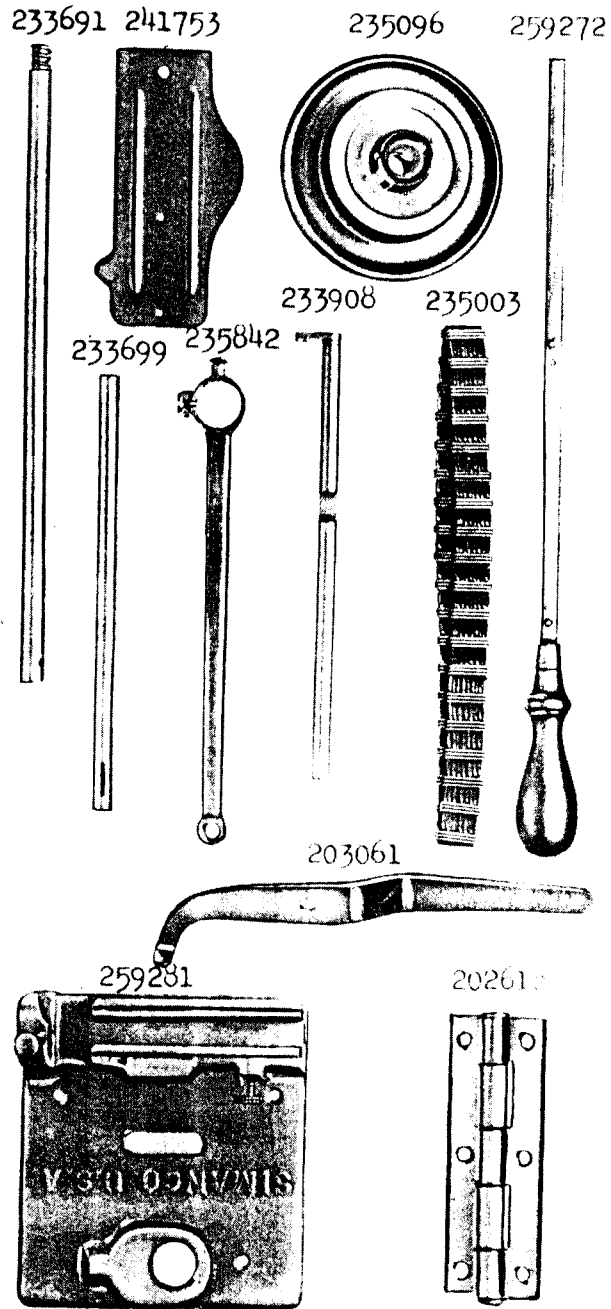


PLATE 15226—FULL SIZE

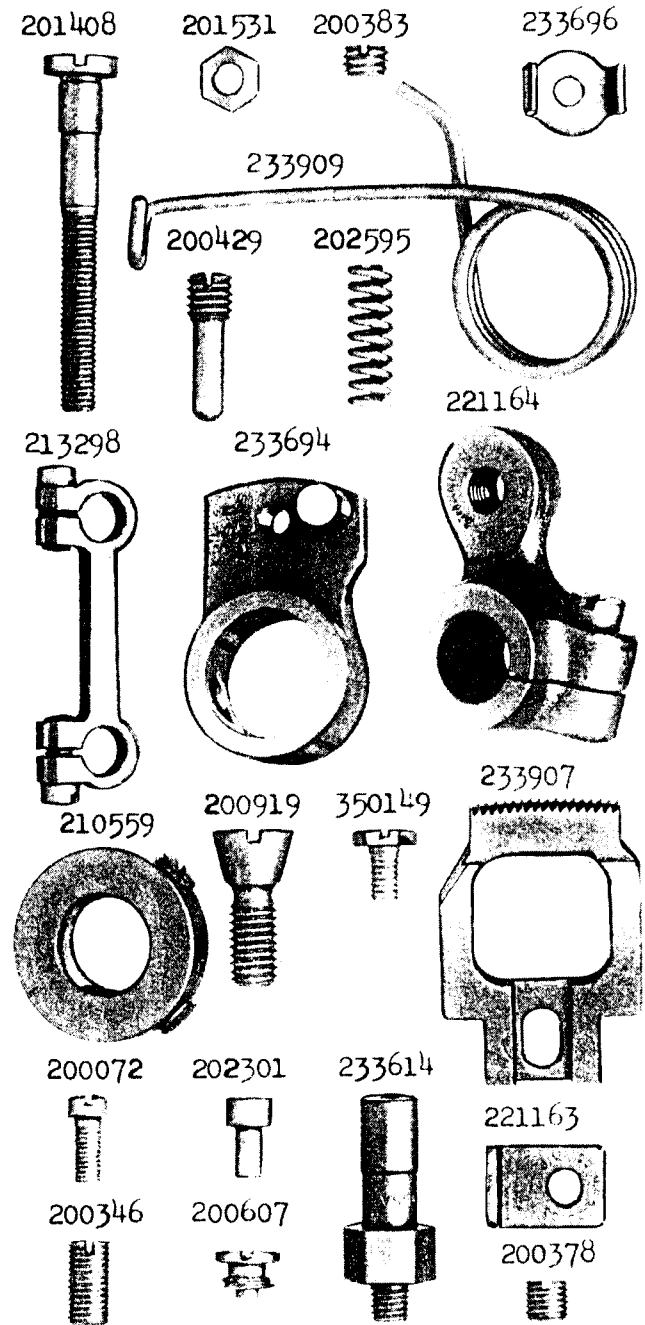


PLATE 15227 - ONE-HALF SIZE

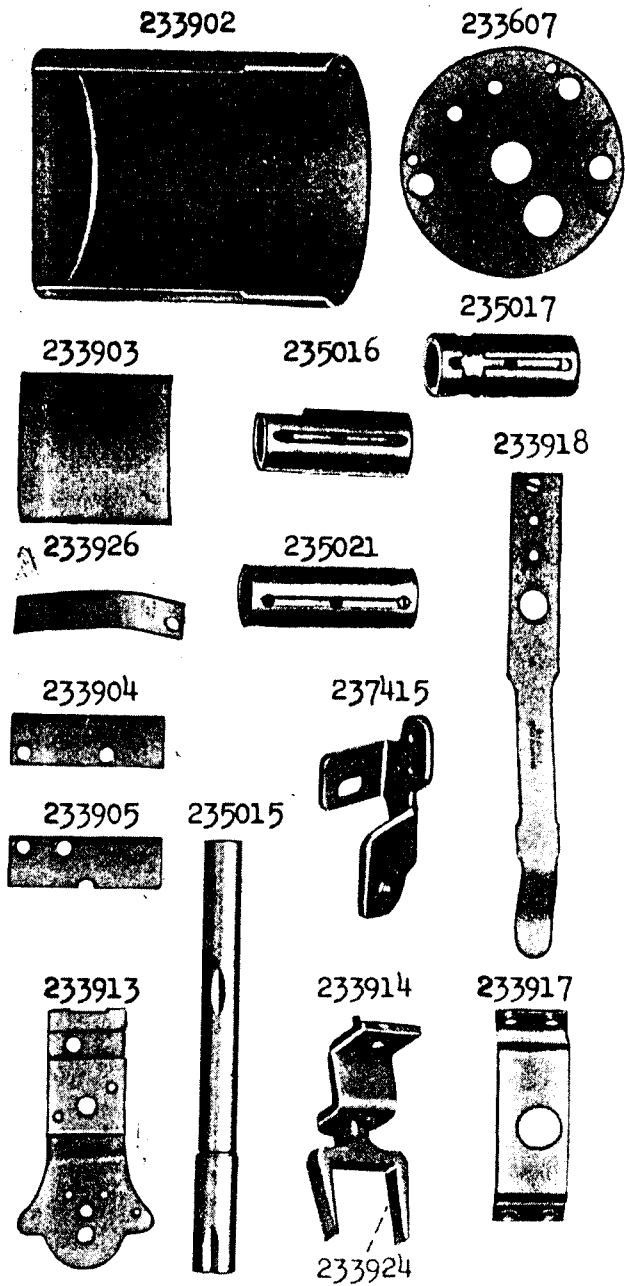


PLATE 15228 - FULL SIZE

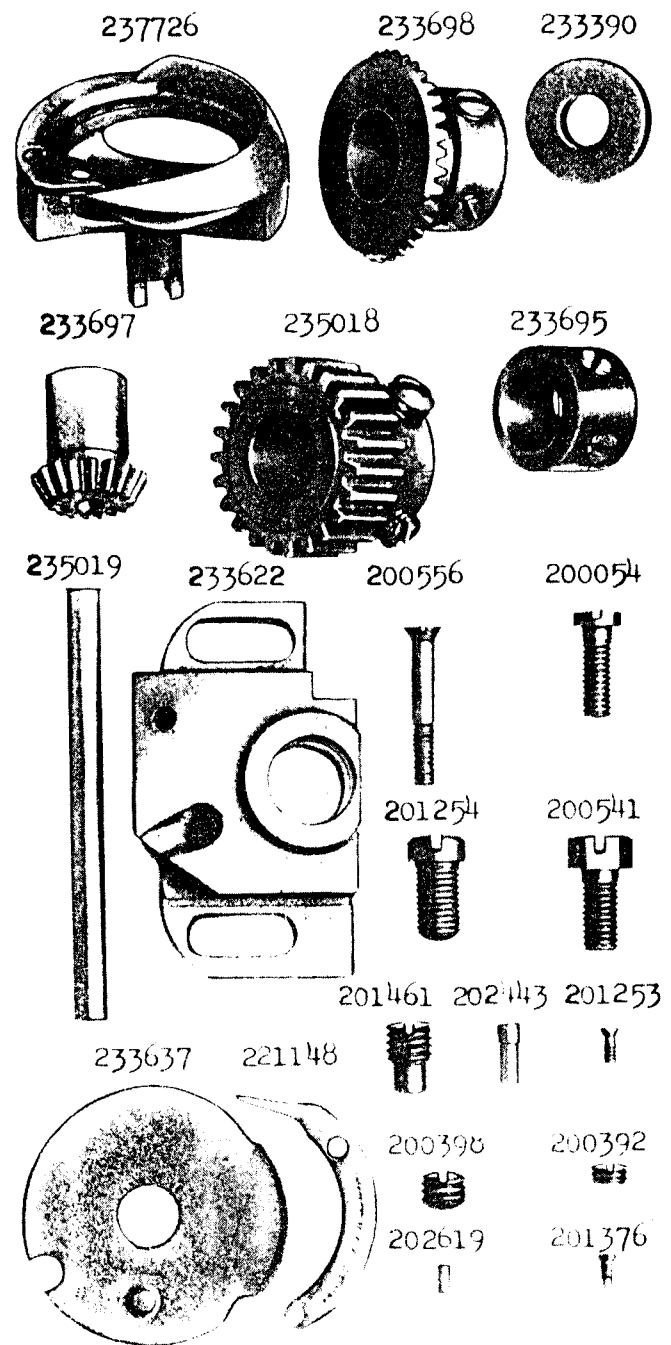


PLATE 15229 - FULL SIZE

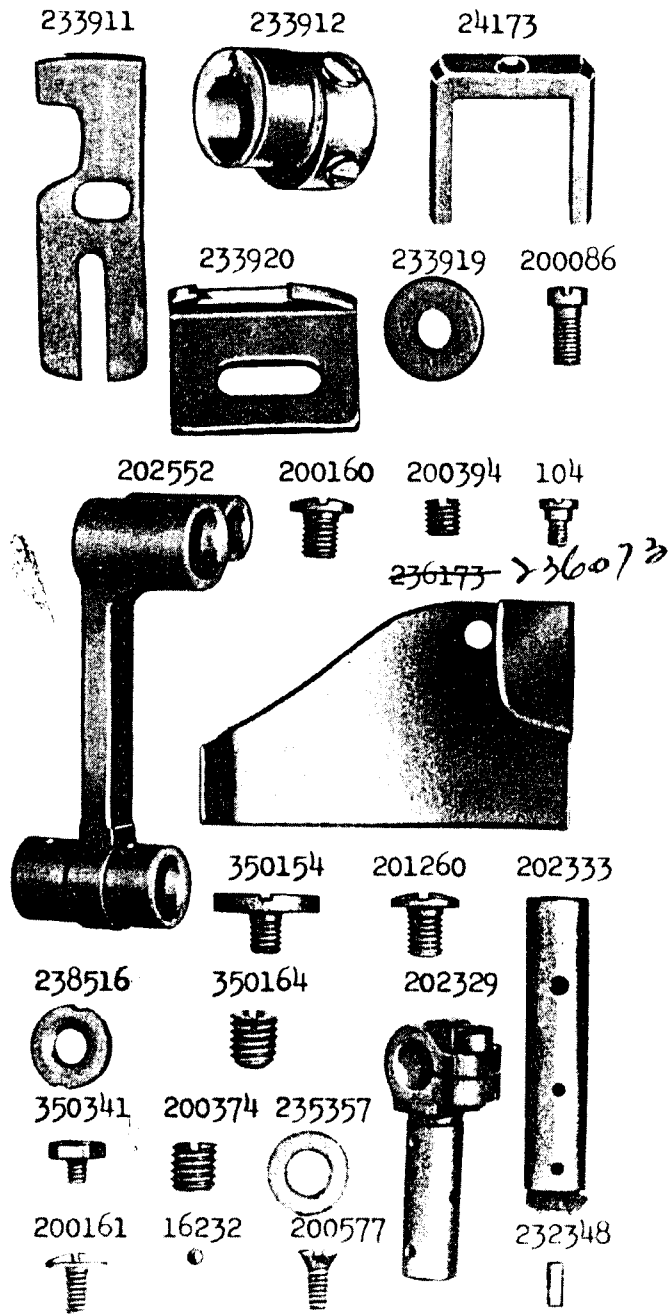


PLATE 15230 - ONE-HALF SIZE

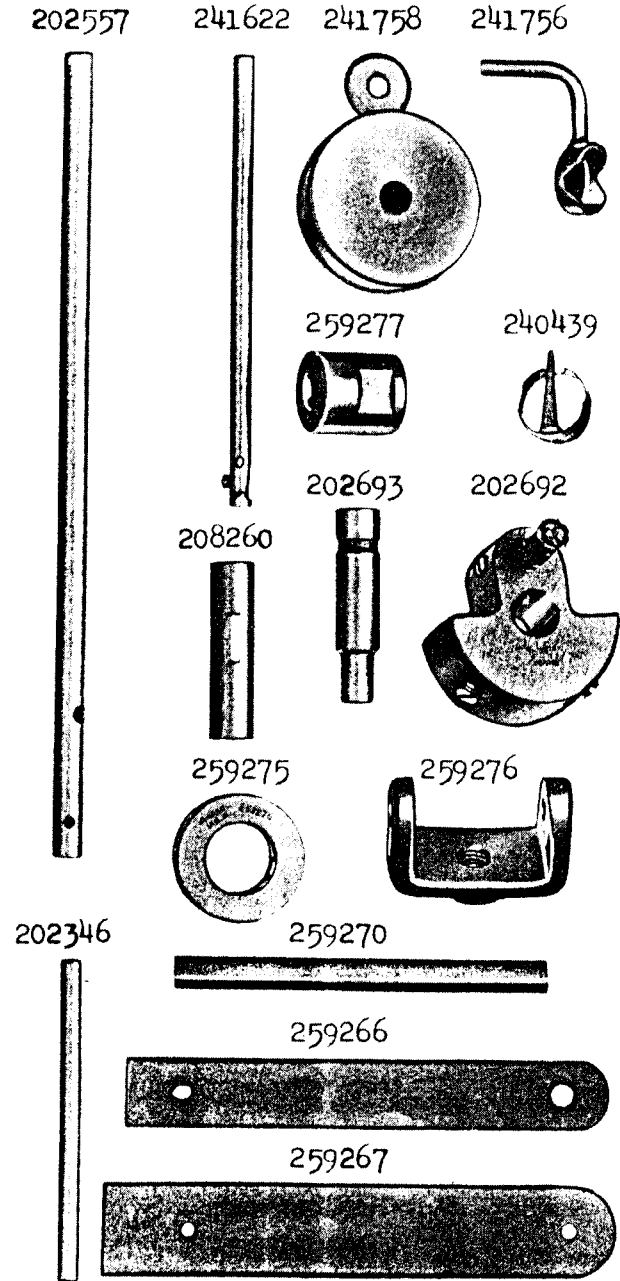
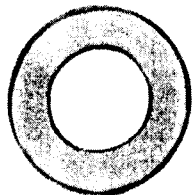


PLATE 15231—FULL SIZE

203172



200363



244004



208313 236089



202337



200492



200260



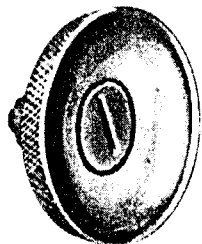
206608



202338



201928



200428

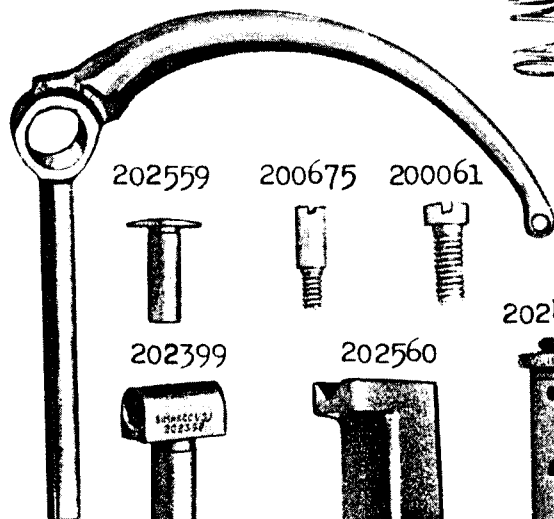


200653



PLATE 15232—FULL SIZE

224372



202558



202559



200675



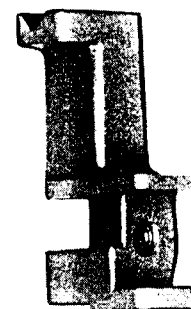
200061



202399



202560



202400



203426



50553



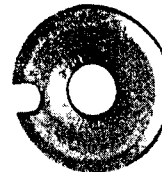
200096



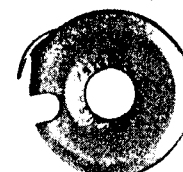
1766



244048



244049



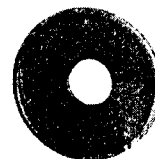
202404



200625



263106



1528



244061

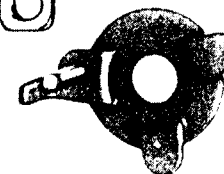


PLATE 15233 - FULL SIZE

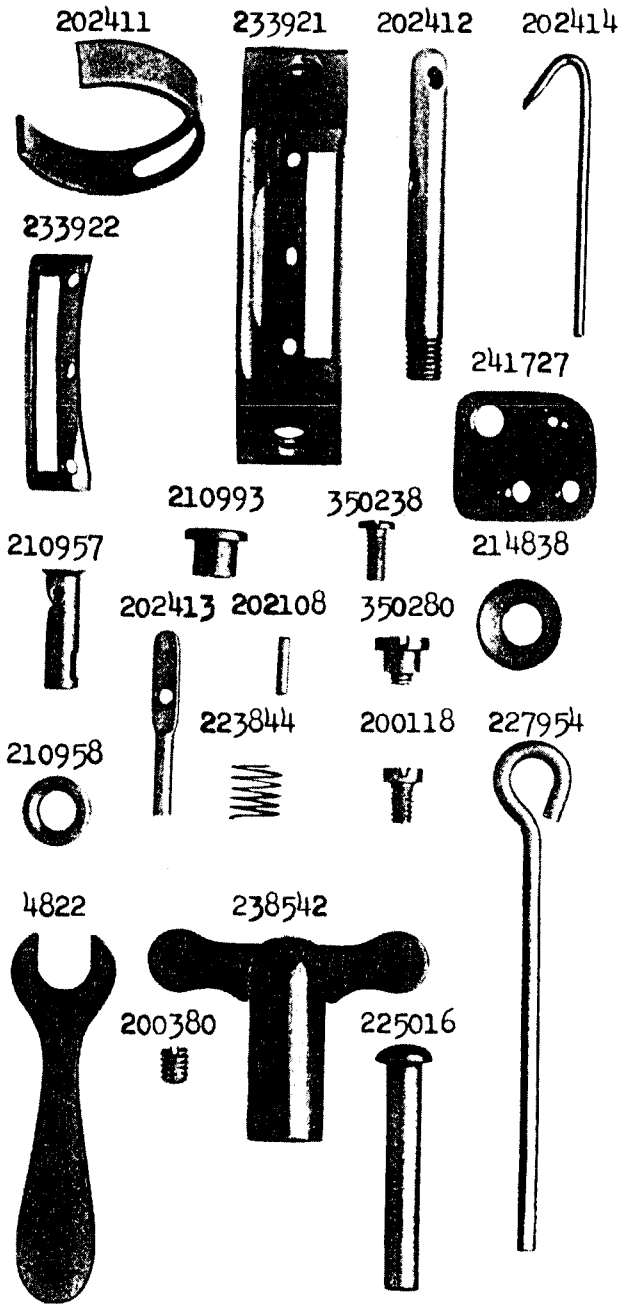


PLATE 15234 - FULL SIZE

