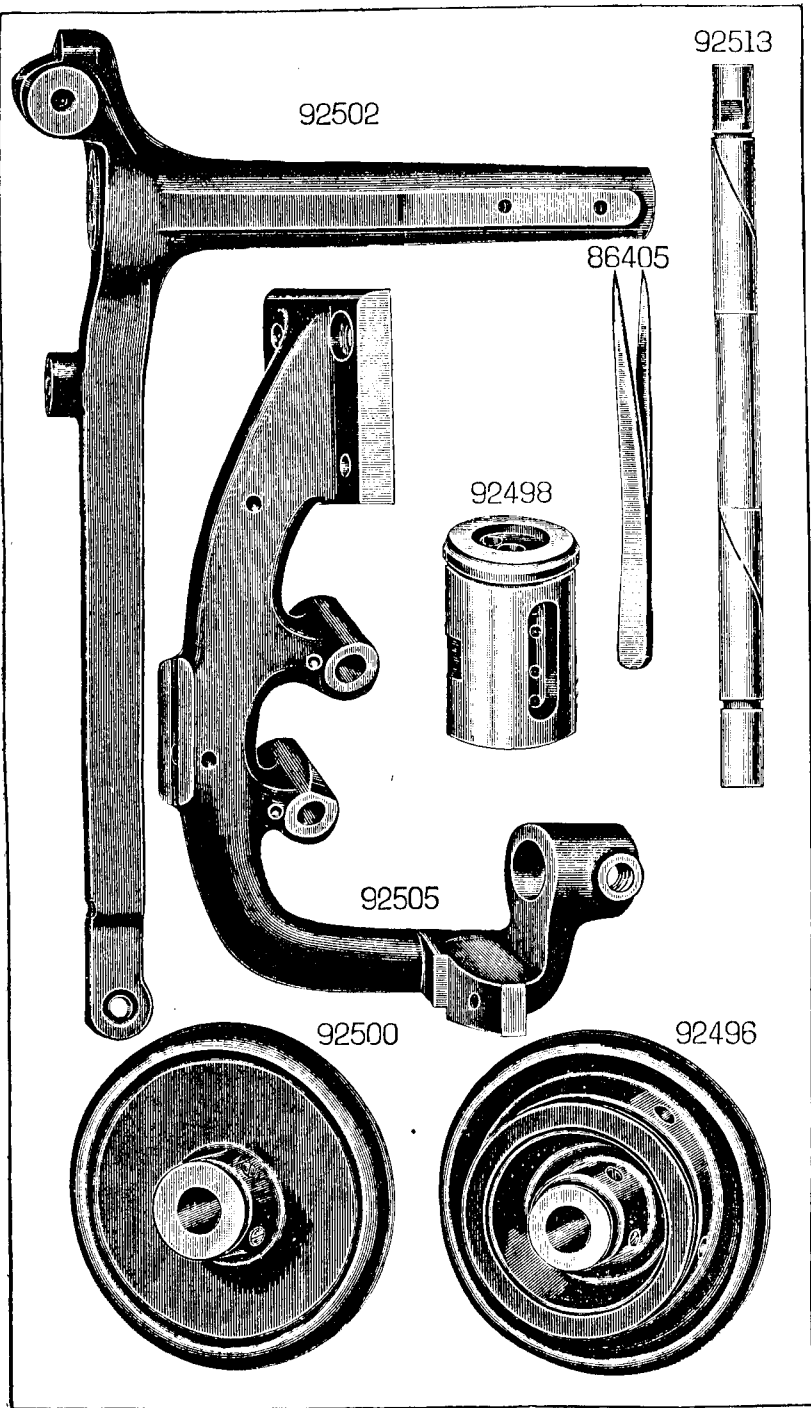


SINGER
46K40 to K44

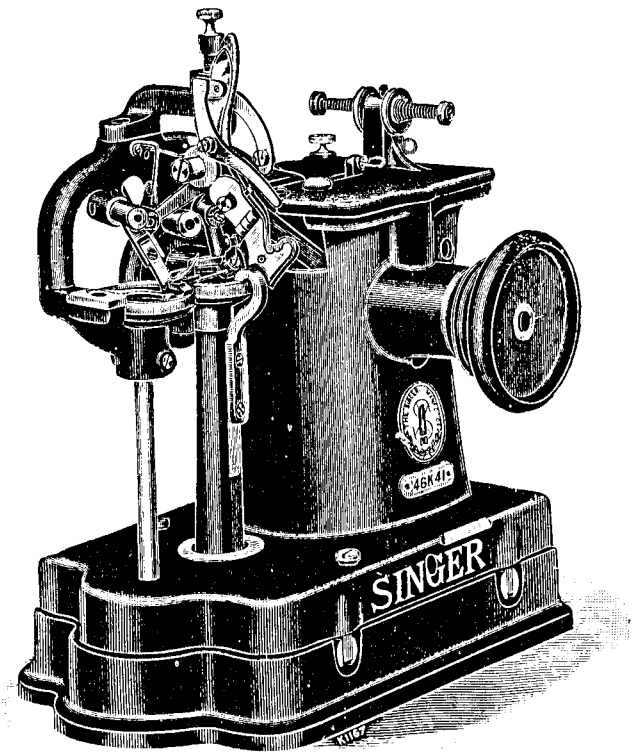


Form K2329
Supersedes K1760
August, 1922

ILLUSTRATED LIST OF PARTS

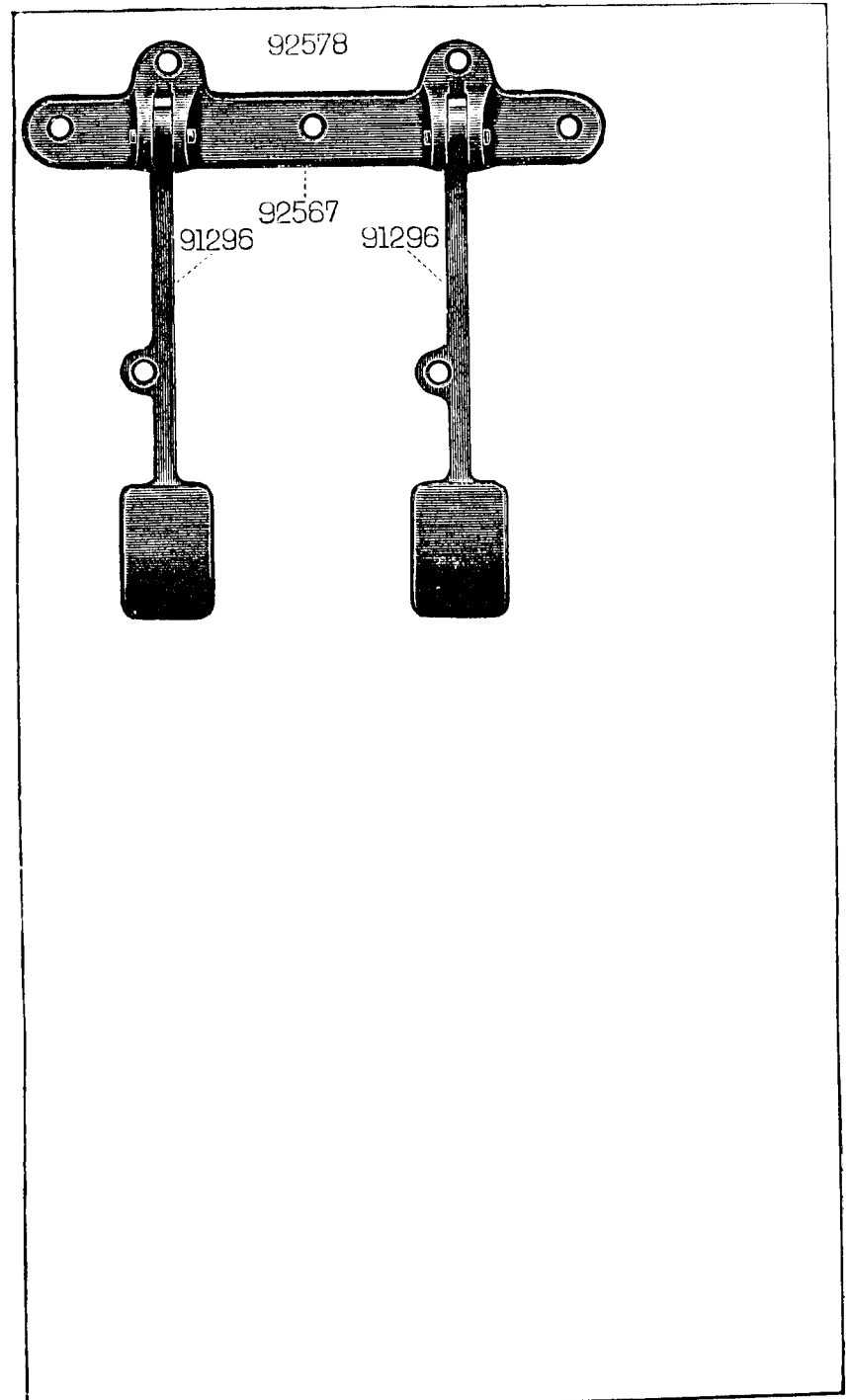
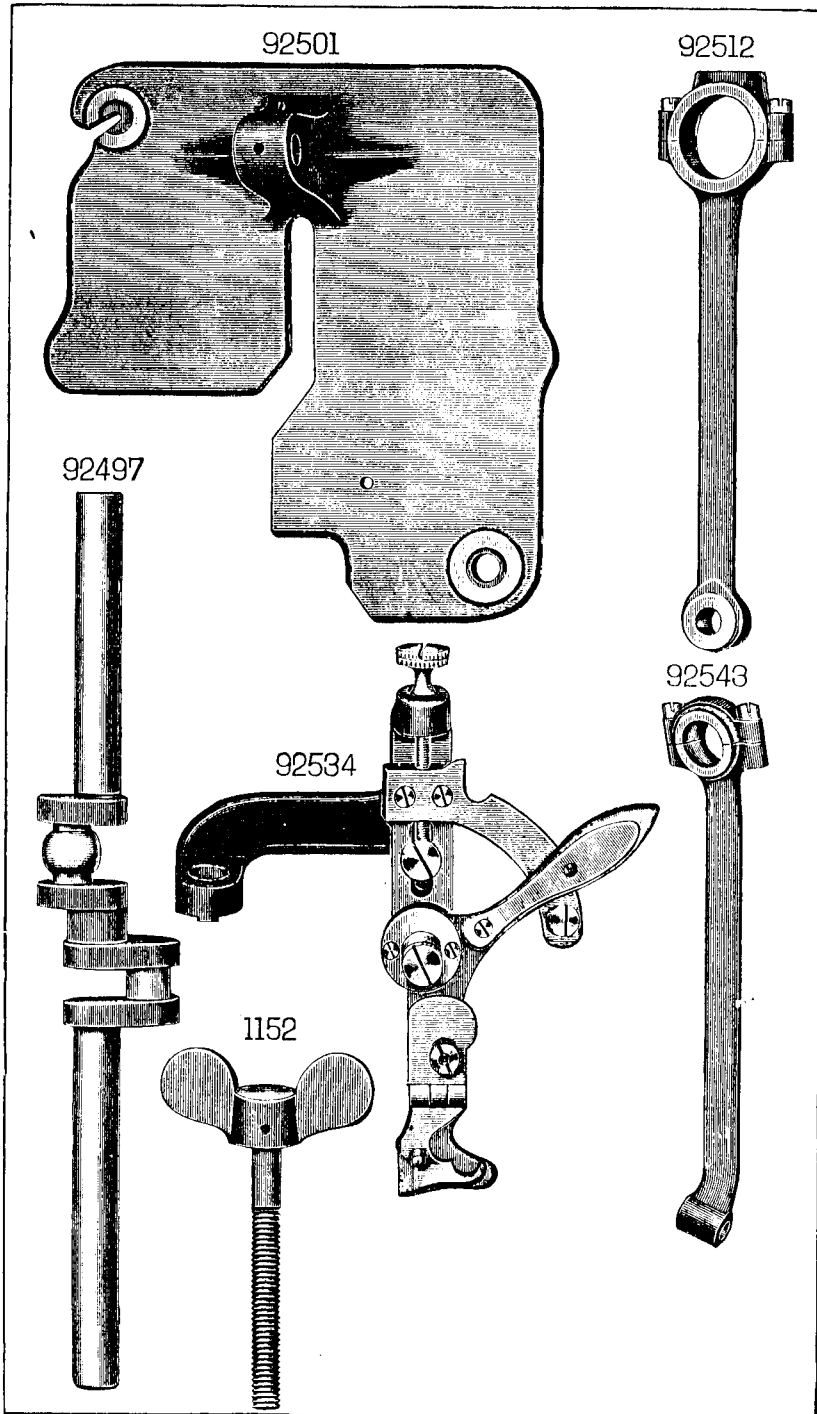
FOR

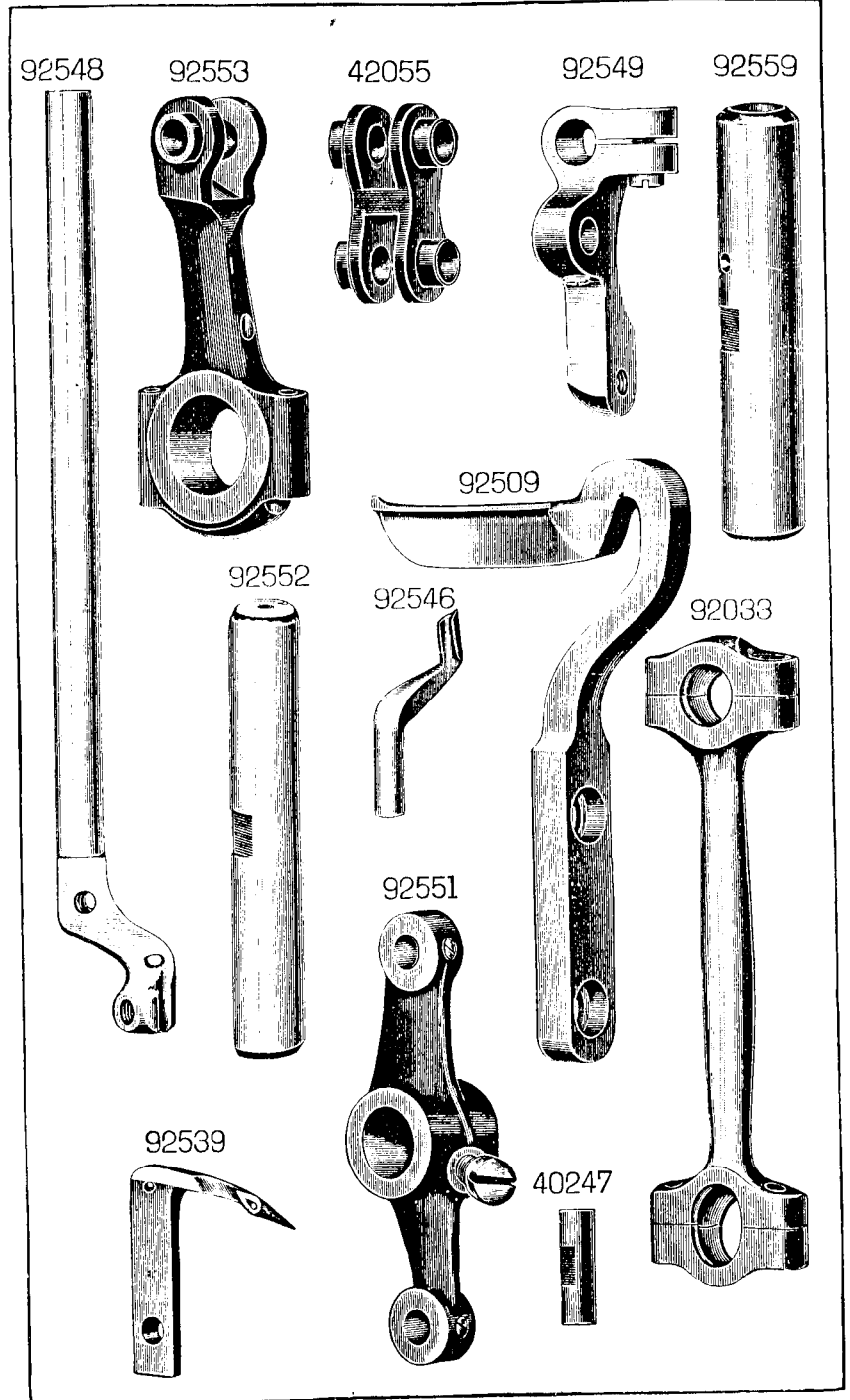
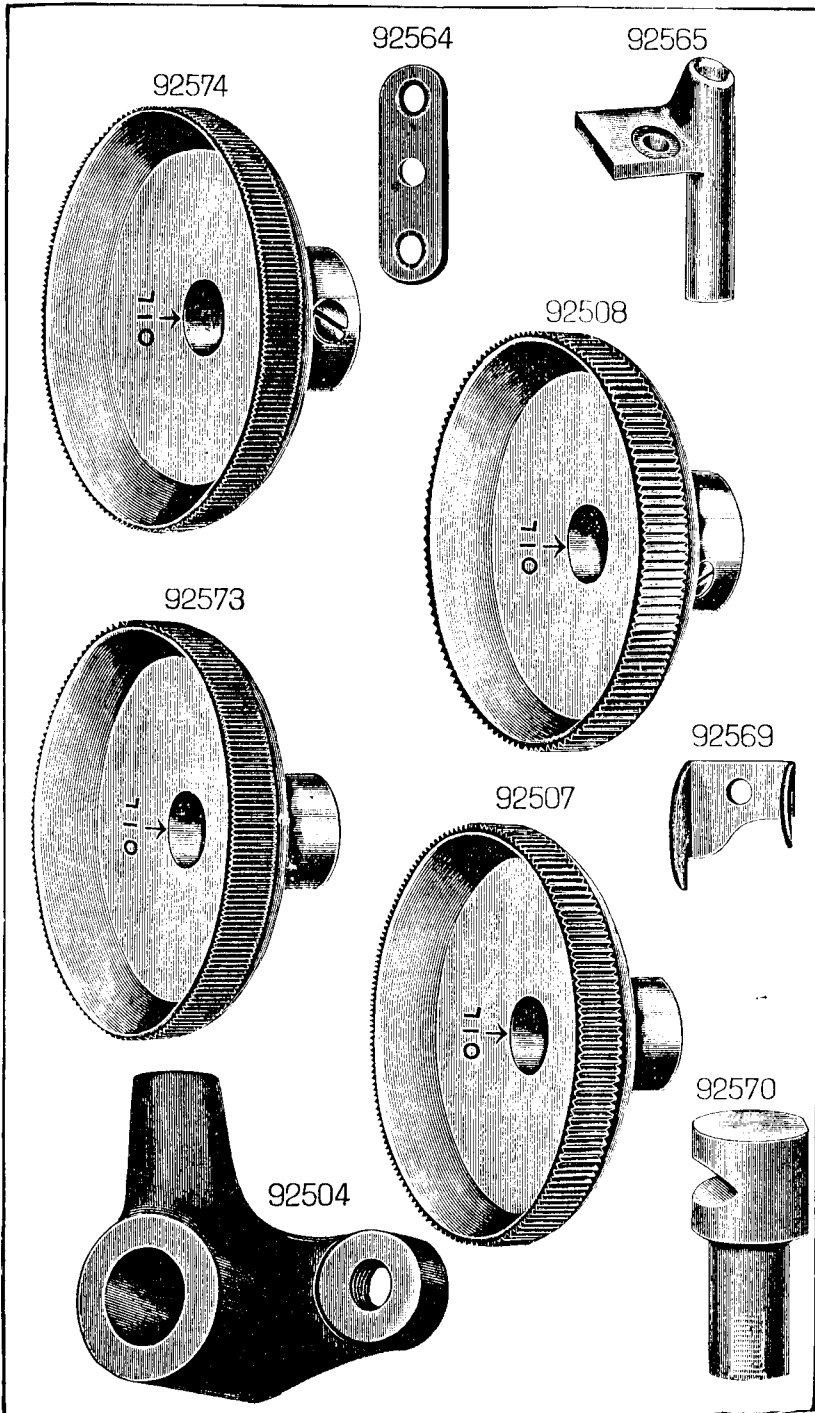
Nos. 46K40 to 46K44 Machines

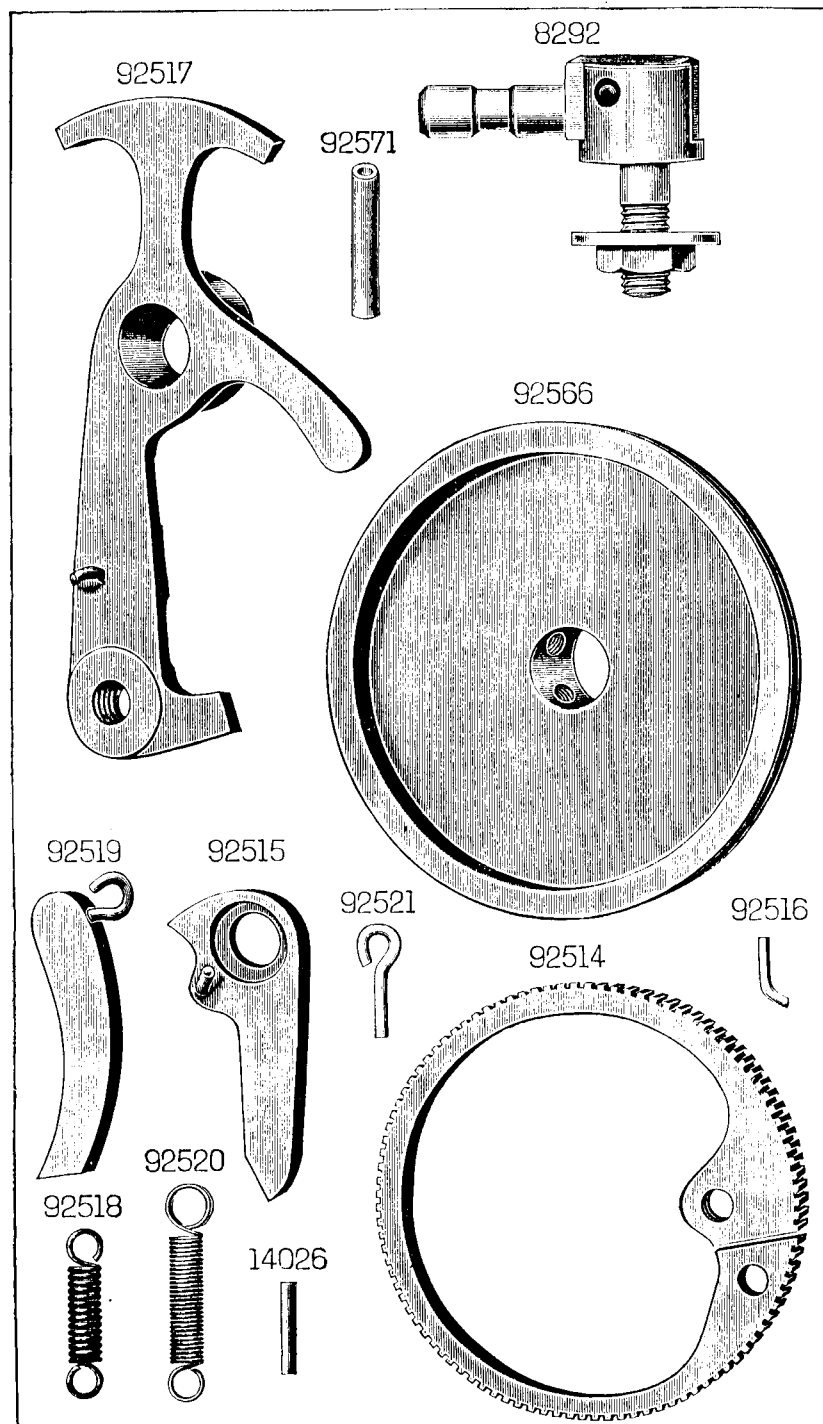
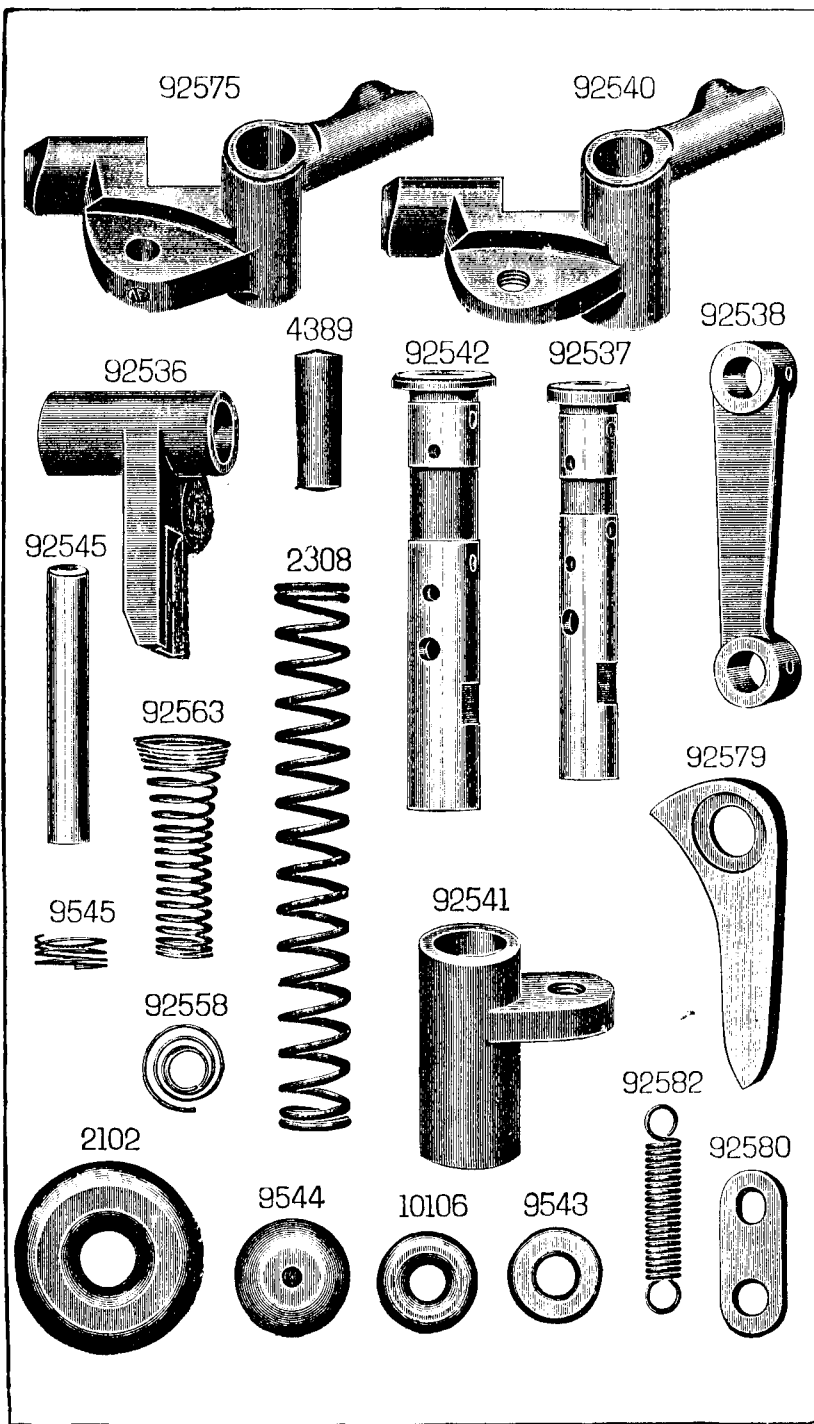


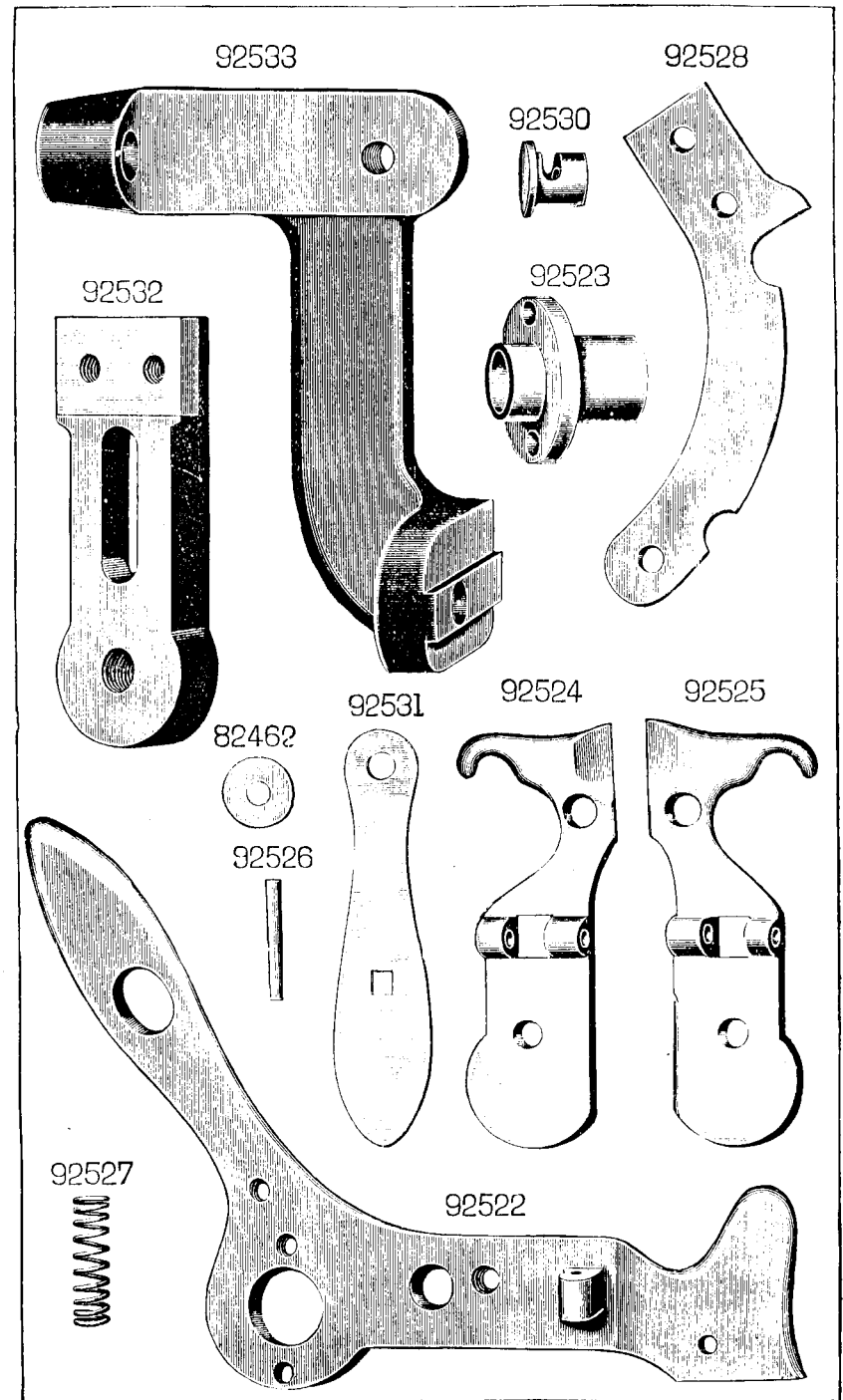
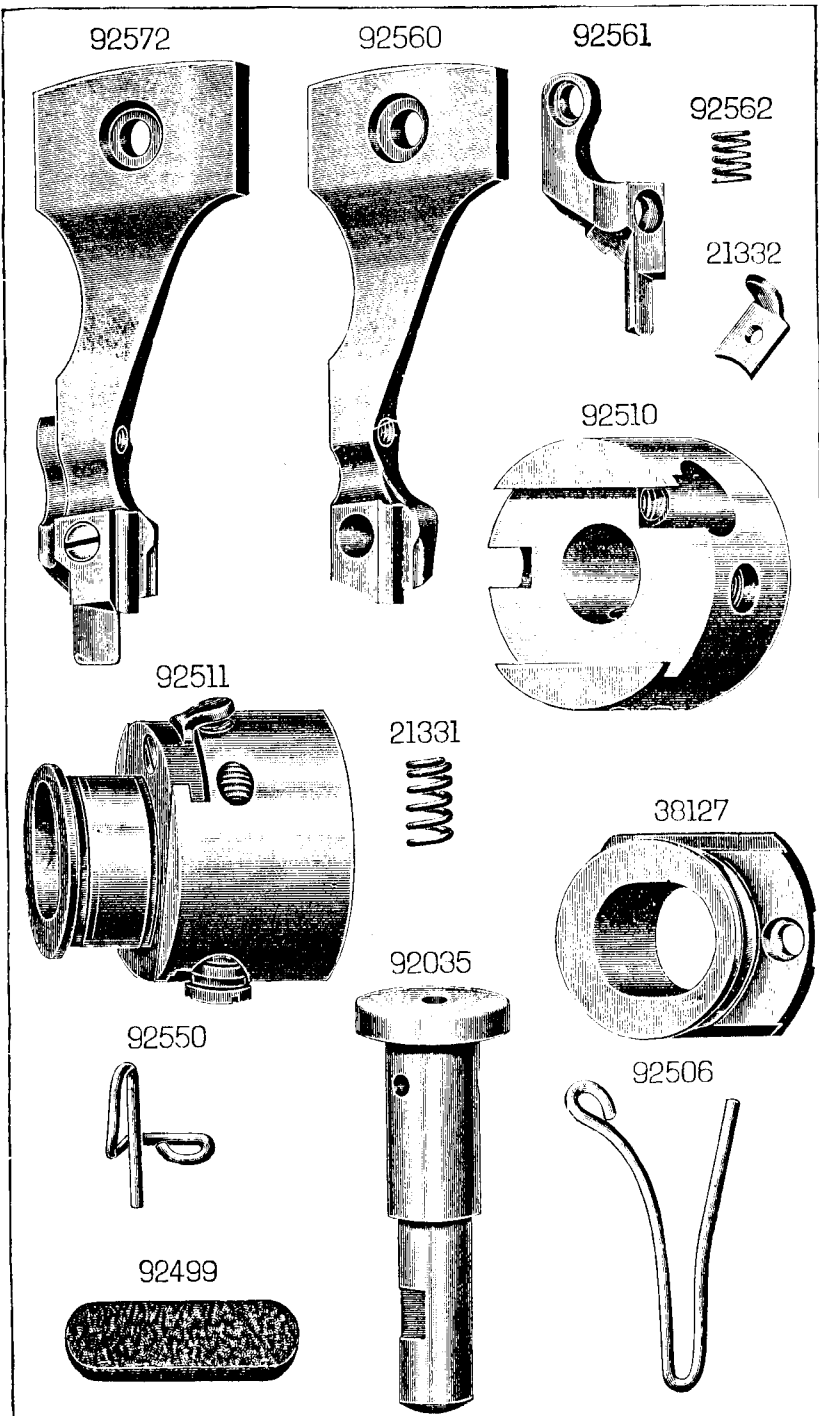
Machine No. 46K41

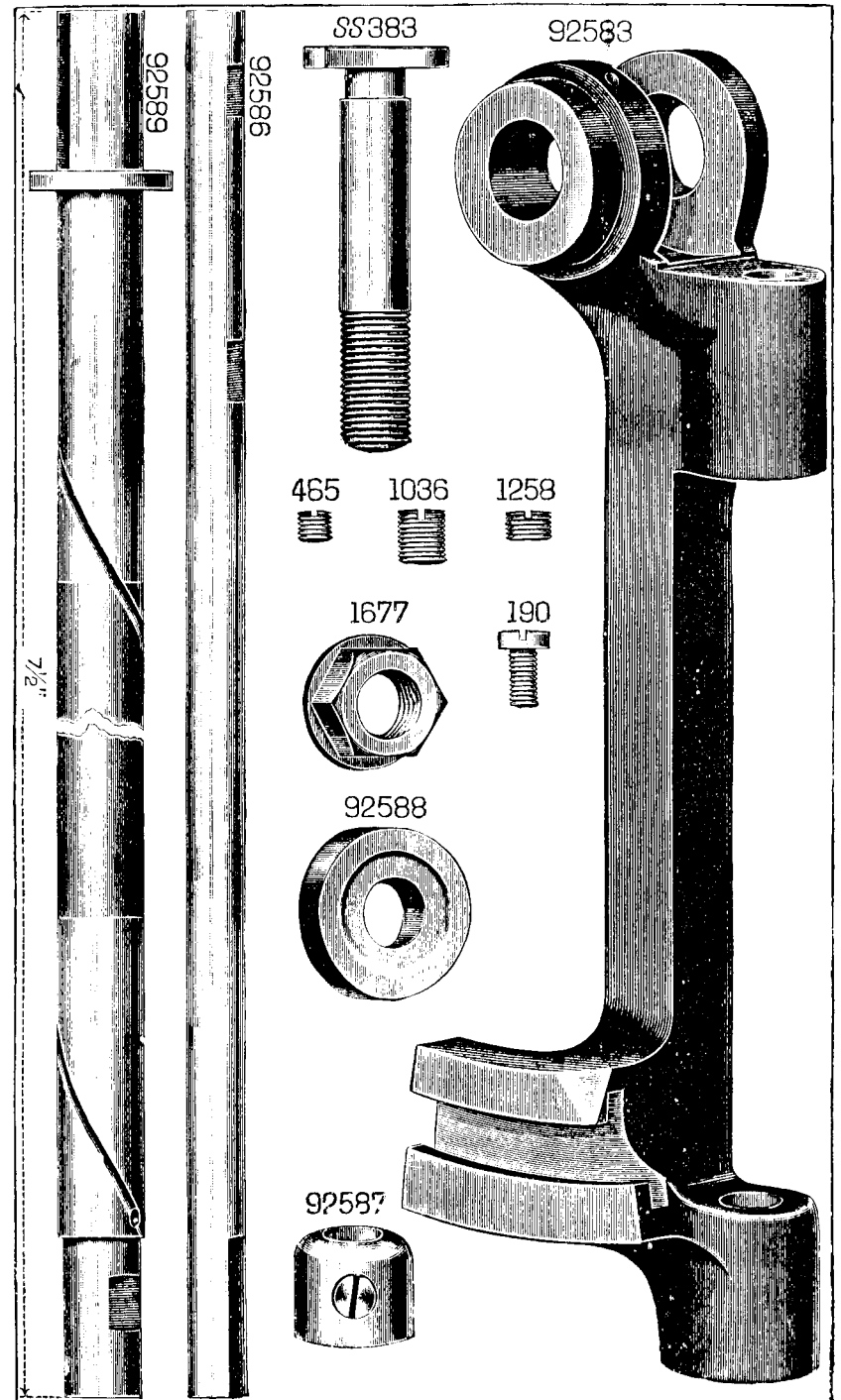
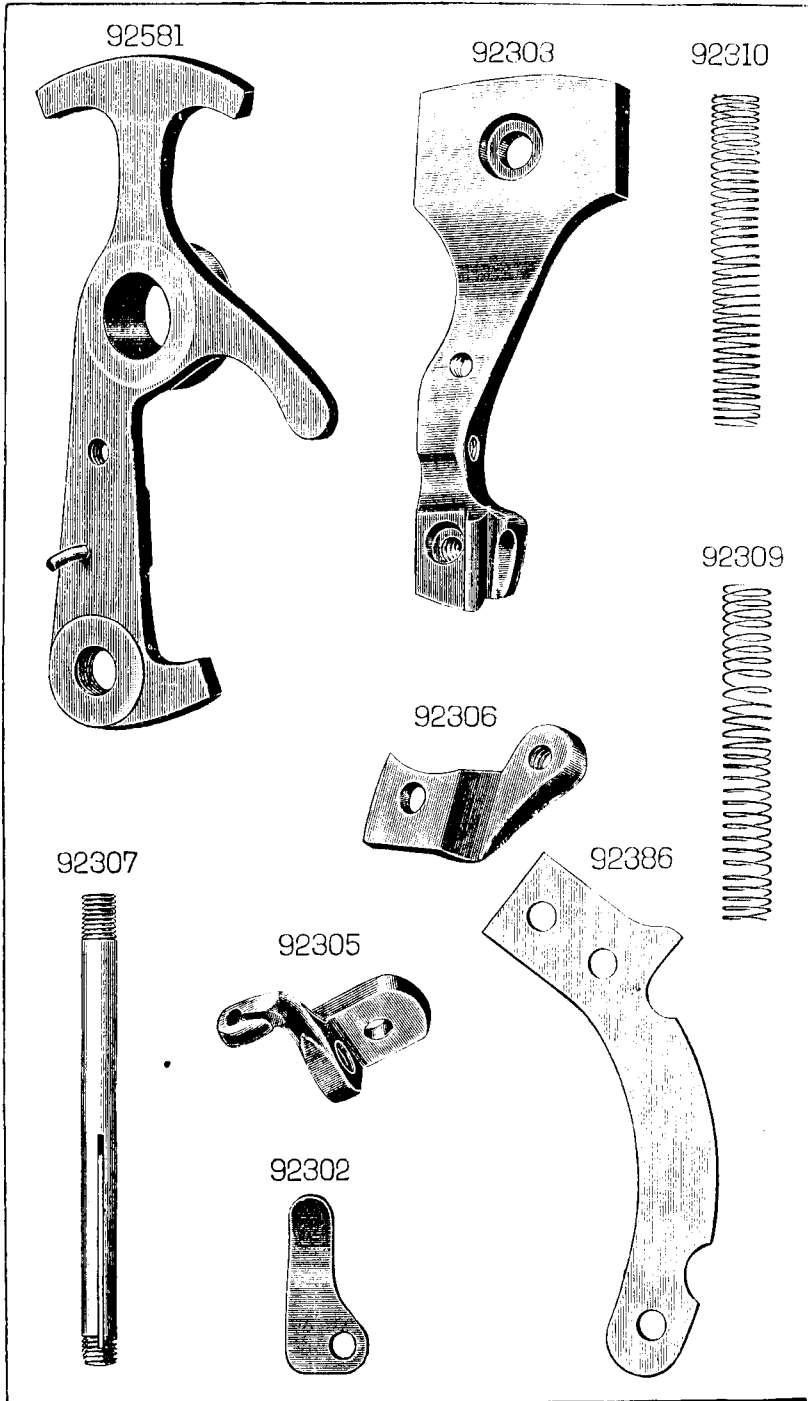
THE SINGER MANUFACTURING COMPANY

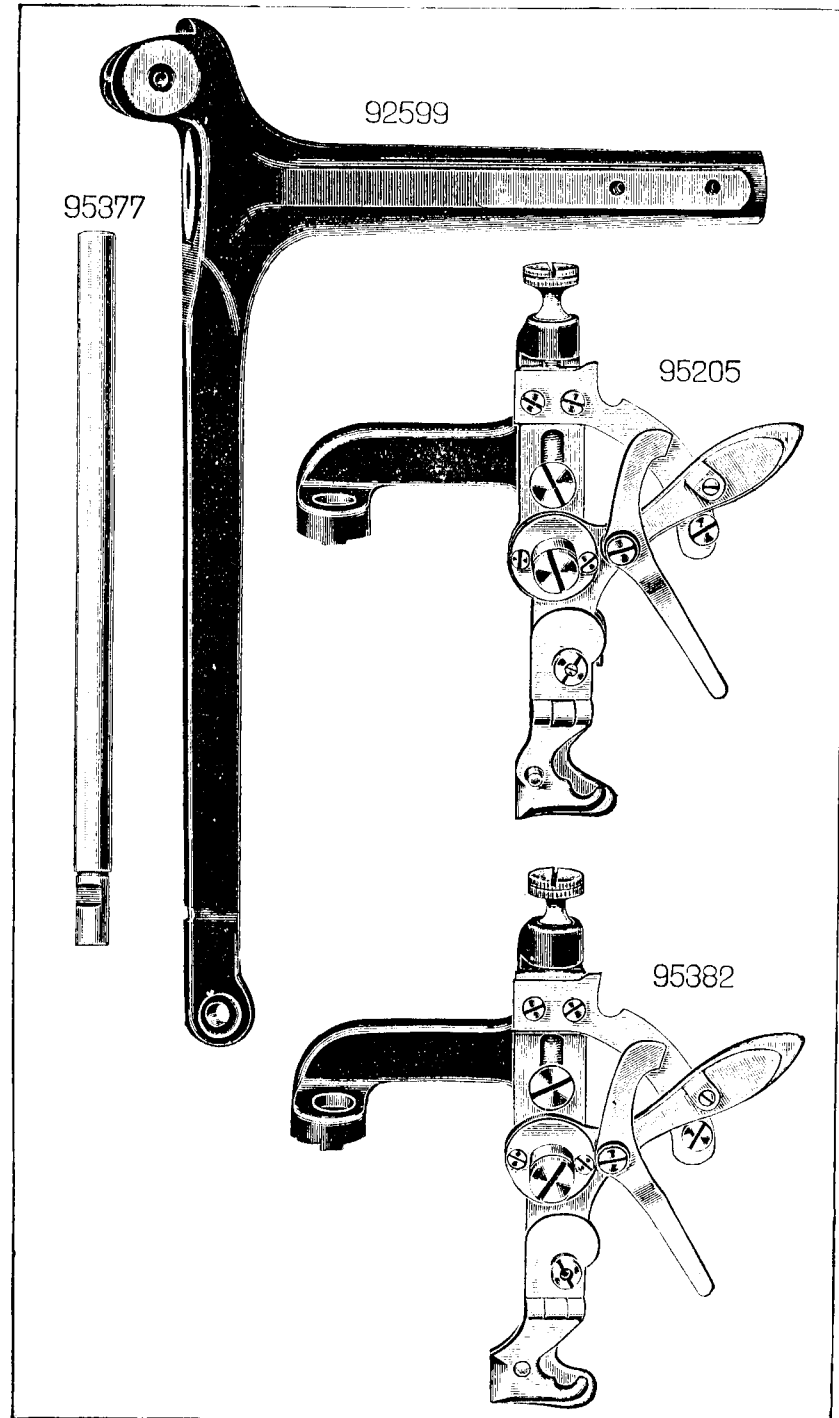
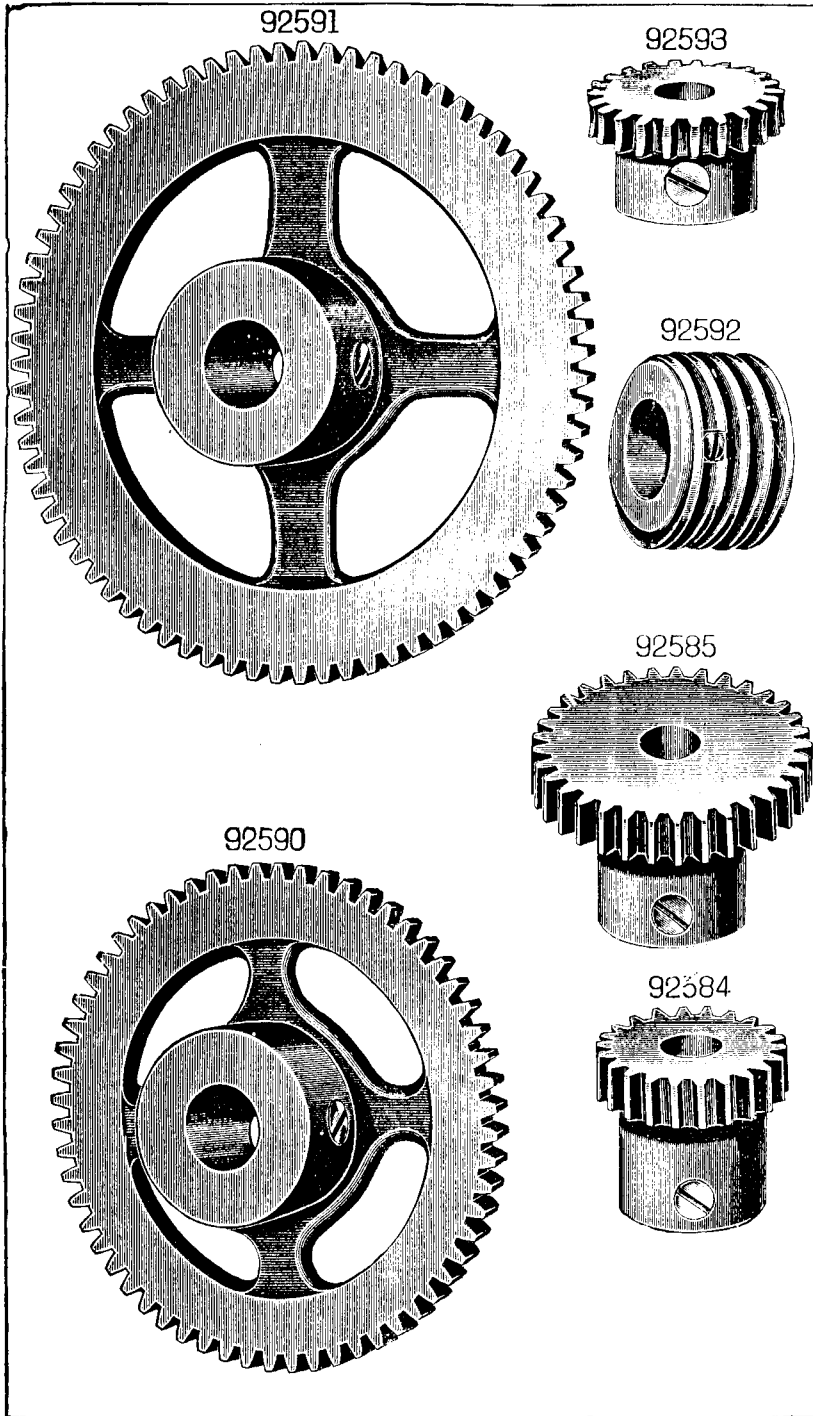


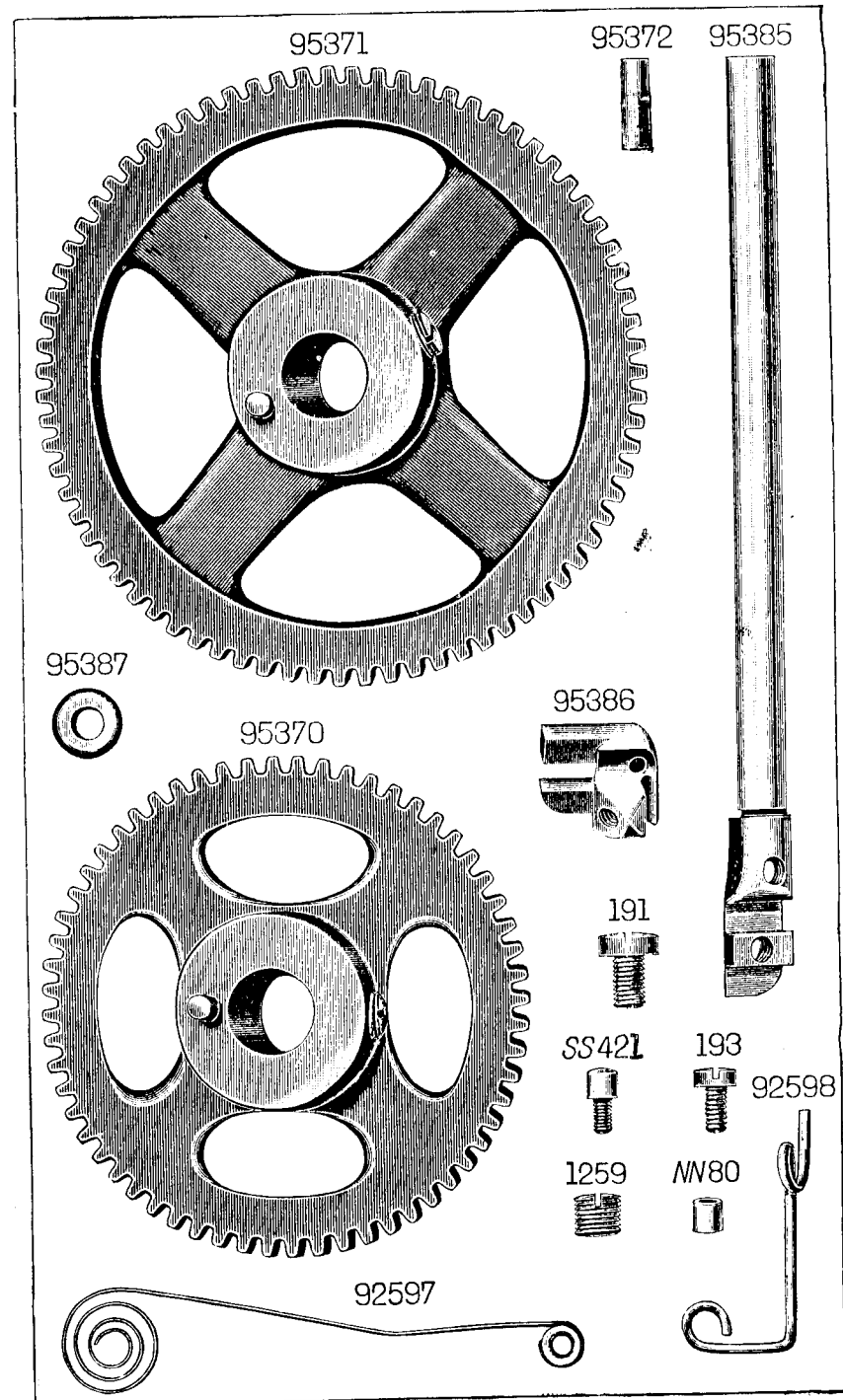
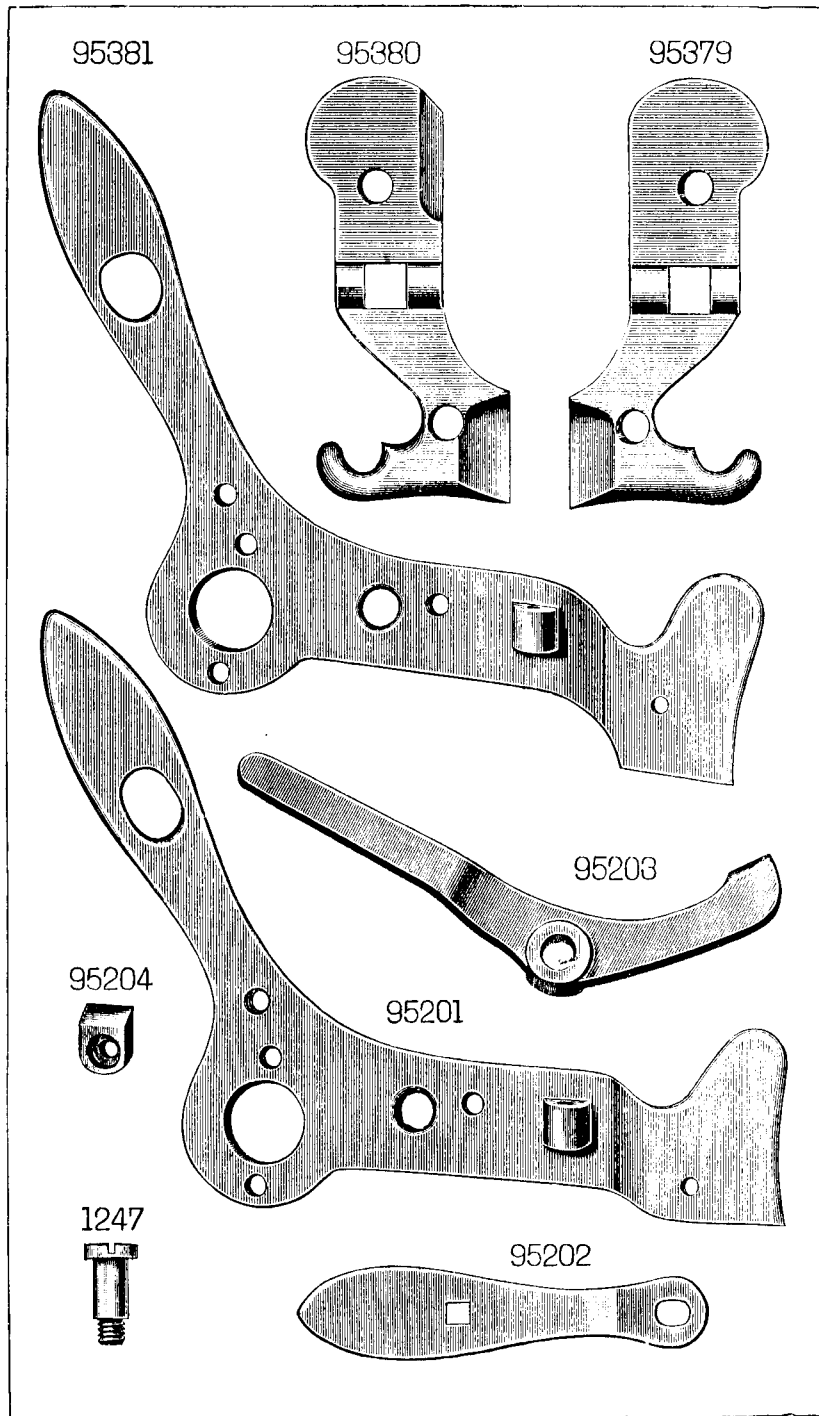


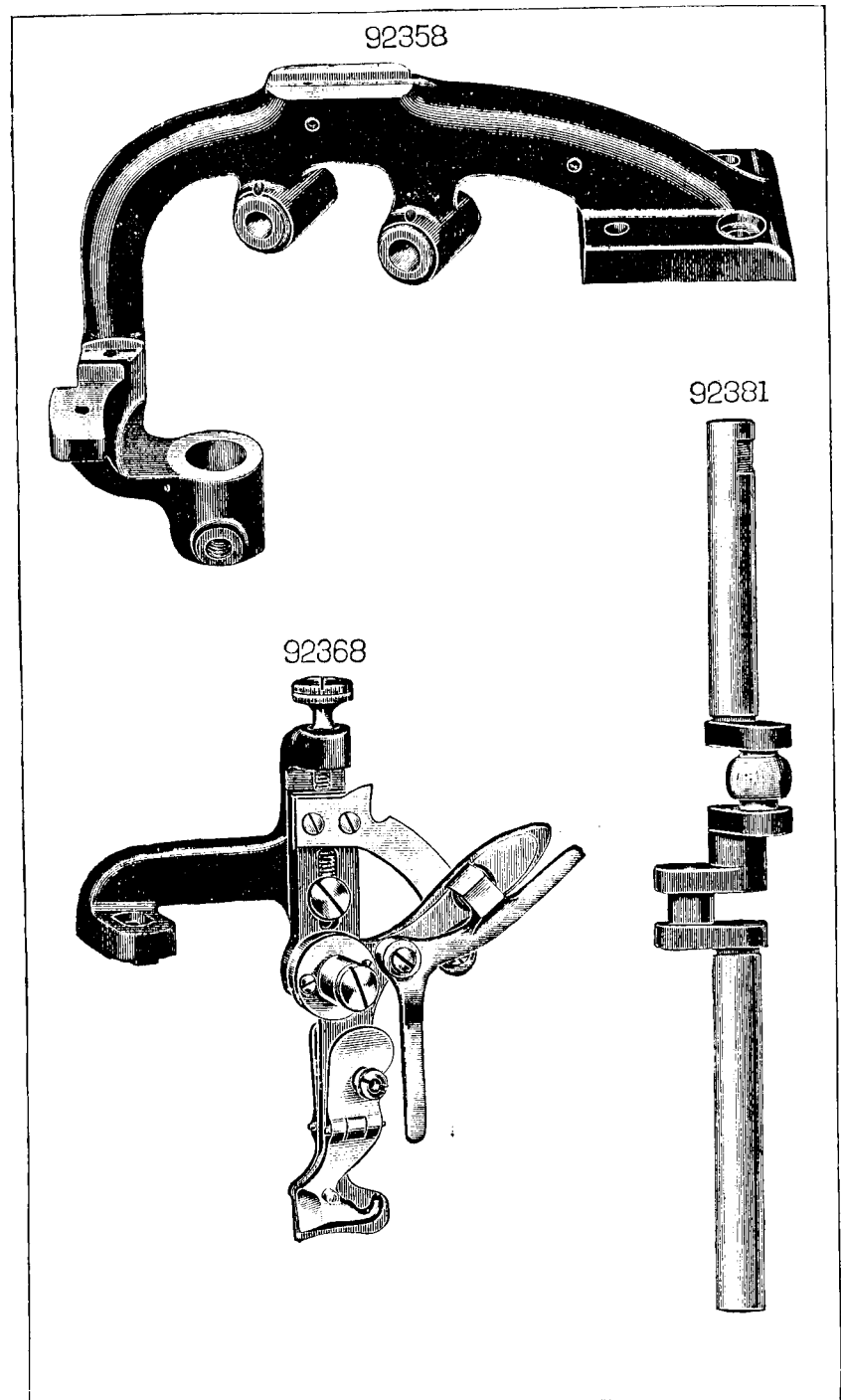
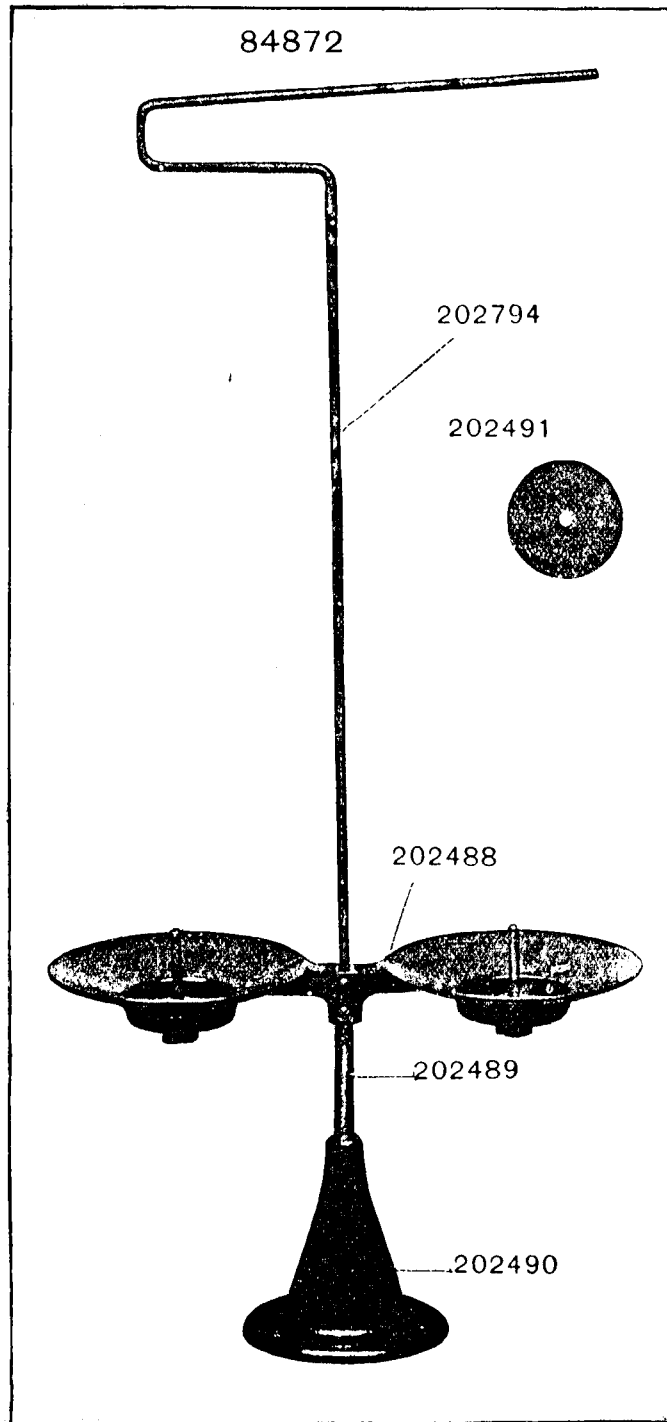


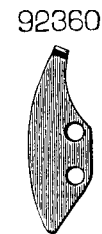
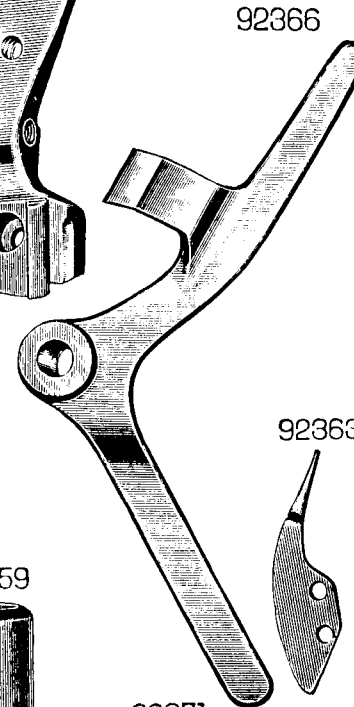
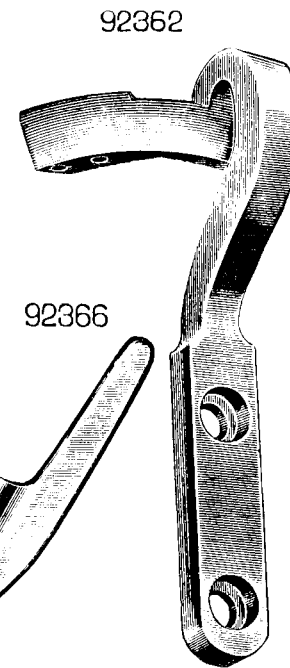
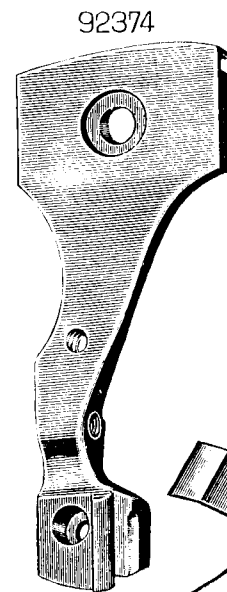
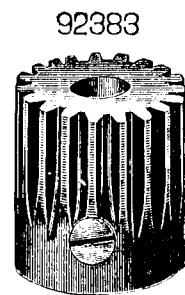
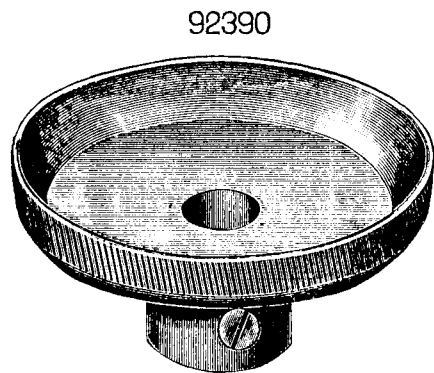
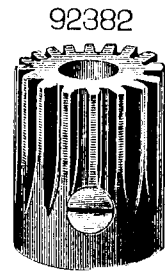
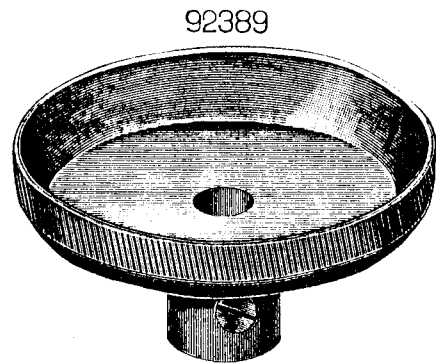
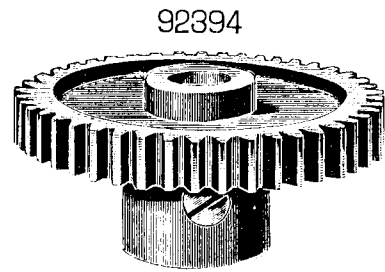
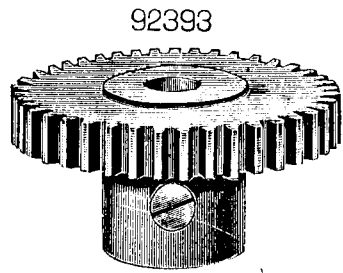




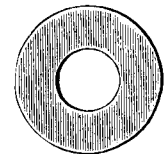


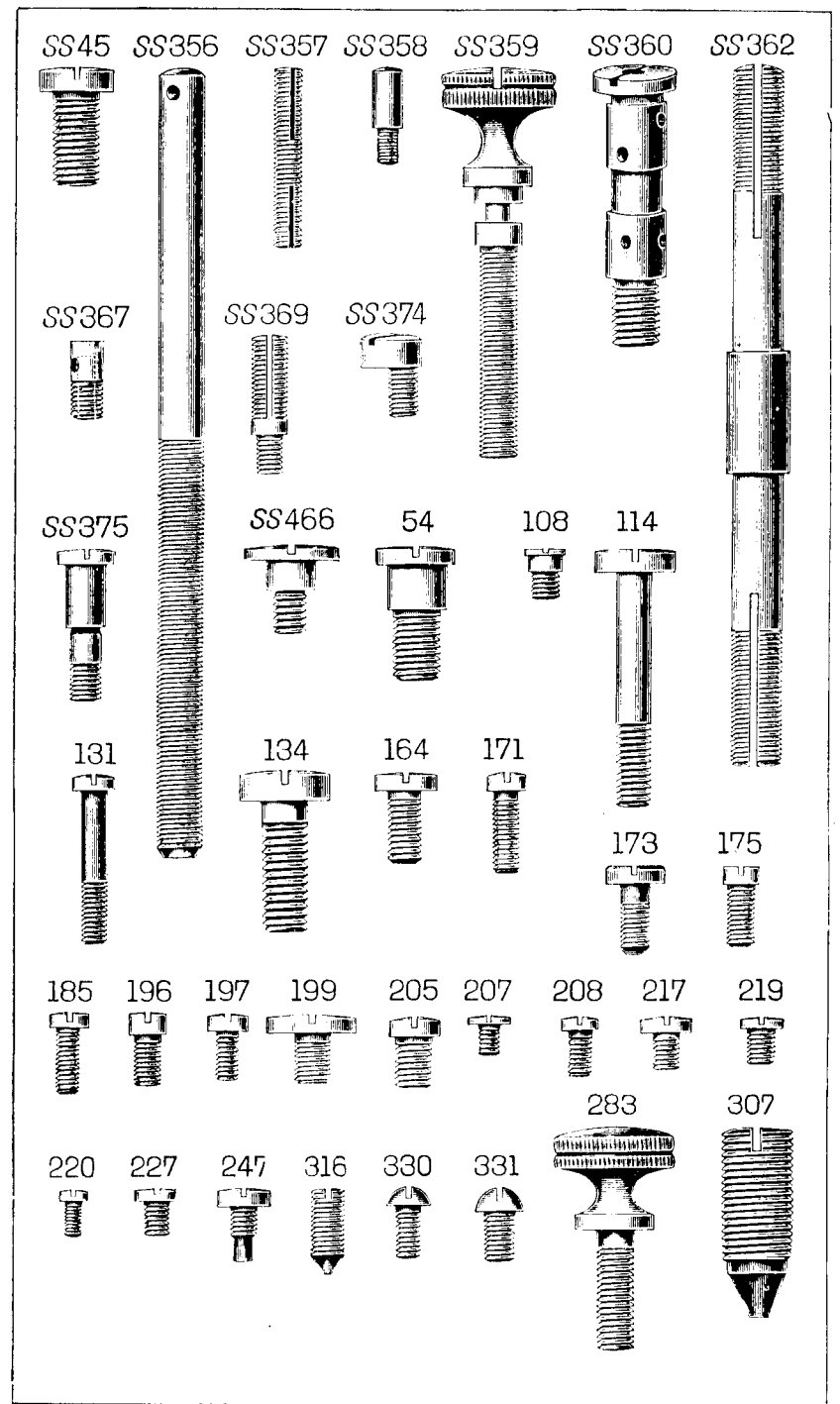
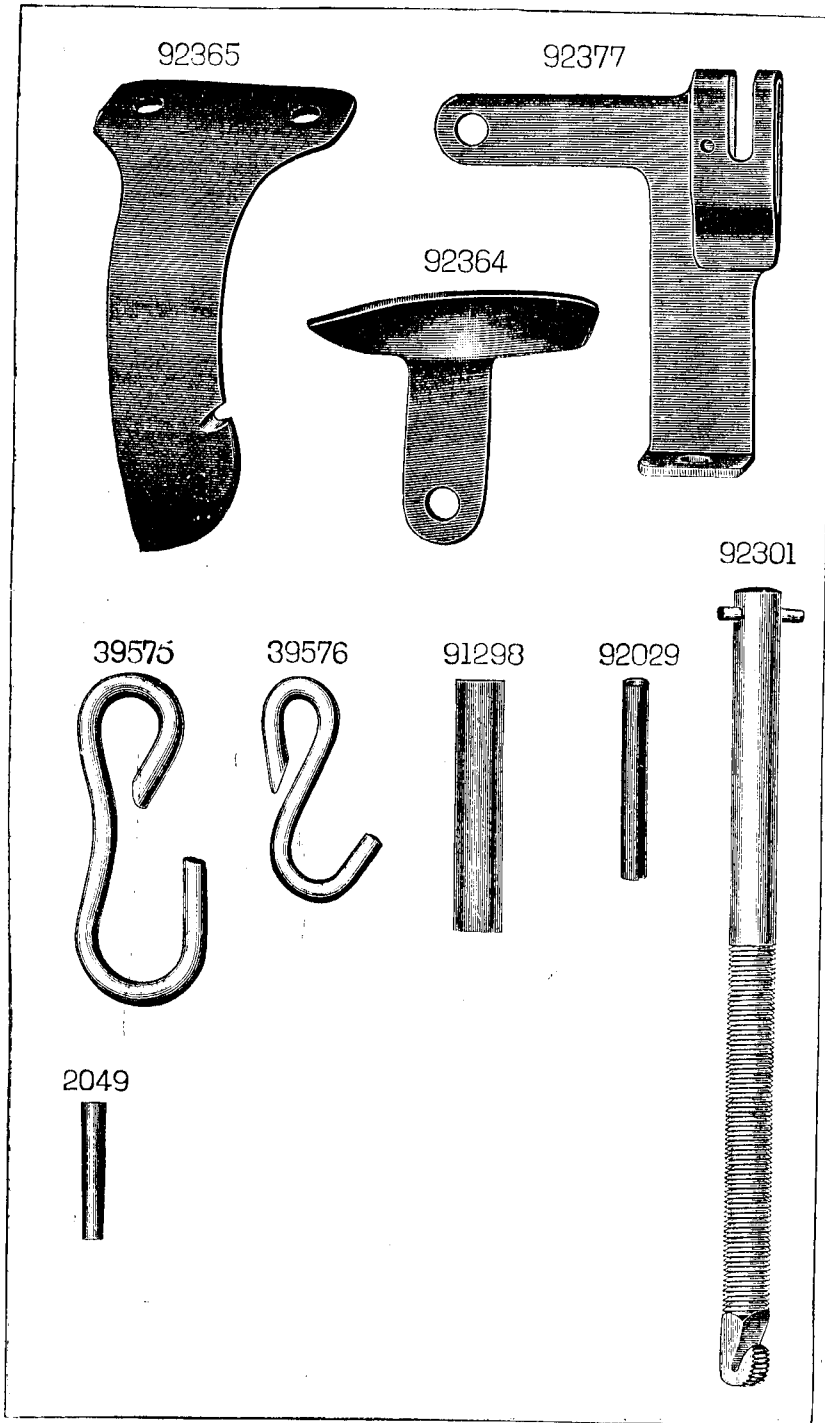






2807

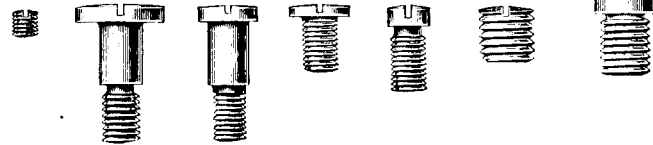




337 445 446 448 453 454 640 707 788 896



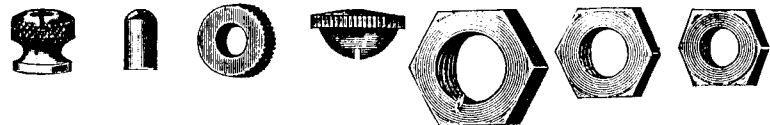
904 933 996 1094 1120 200363



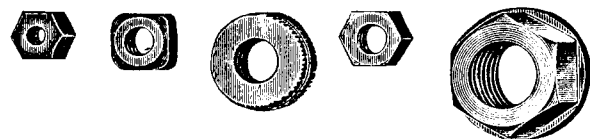
200383



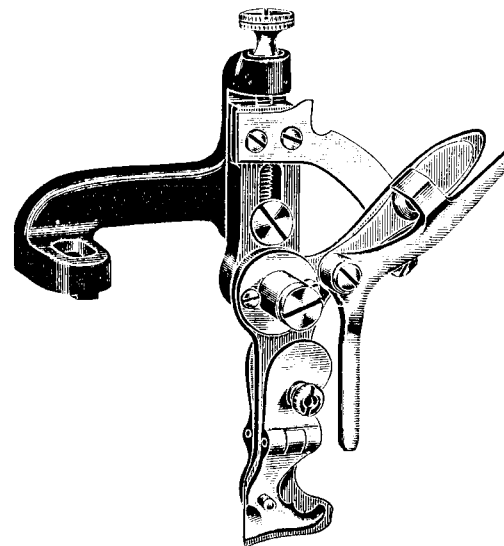
NN70 NN71 NN74 NN77 1513 1727 1520



1628 1547 1560 1637 1677



92385



Illustrated List of Parts

FOR

Nos. 46K40 to 46K44

Machines

In ordering from this List, the prefix and affix letters, with the part number, **MUST BE** quoted exactly as they are shown in the first column.

A number always indicates the same part in whatever List it may appear, or for whatever machine.

The prefix *SS* indicates Screws made only at Singer.

" " *NN* " Nuts made only at Singer.

" " *RR* " Rollers and Studs made only at Singer.

The affix letters (where shown) indicate the style of finish, as follows:—

A. Hardened, Polished and Plated.

B. Polished and Plated.

C. Hardened only.

D. Polished only.

E. Soft, not Polished.

F. Hardened and Polished.

H. Blued.

J. Plated only.

K. Hardened and Plated.

L. Brass or Gilt.

M. Oxidized.

P. Japanned.

R. Parkerised.

In this series:

1 to 1500 and 50001 to 51500 are Screw Numbers.

1501 " 1800 are Nut Numbers.

1801 " 2000 " Roller "

2001 " 50000 are numbers of machine parts, etc.

80001 " 100000 are numbers of machine parts, etc.,
made only at Singer.

Parts marked with an asterisk () are furnished only when the repairs are made at Factory.*

PARTS COMPLETE

FOR

No. 46K40 Machine

**High Speed for Power; Double Thread Chain Stitch for Seaming
Fashioned Knif-wear; Positive Feed Mechanism (right to left);
one Feeding Disc only positively driven from Crank Shaft;
Maximum length of Stitch $\frac{1}{4}$ ".**

No.	Plate							
92500	913	Balance Hand Wheel with two 448c
448c	1392	" " " Set Screw
92594	1307	Balance Wheel with two 448c
92600	1307	" " Crank Shaft
92498	913	" " " " Bush
92499	920	" " " " " Felt Pad
446c	1392	" " " " " Set Screw
448c	1392	" " Set Screw...
95460	1307	Cover Plate
92029	1390	" " Oil Tube
95461	—	Cover Plate , complete, Nos. 185c, 217f, 331f, SS362c, 9544, 9545, 92564, 95460, two each 1560d, 9543, 92563, three 92029 and four 2102
SS45d	1391	Cover Plate Binding Screw (2)
2049	1390	" " Dowel Pin (2)
92599	1036	Feed Adjusting Lever
217f	1391	" " " Base Stop Screw
307c	1391	" " " Screw Centre (2)
1513j	1392	" " " " " Nut (2)
2308	918	" " " Spring
1560d	1392	" " " Adjusting Thumb Nut
SS356d	1391	" " " Screw Spindle
14026	919	" " " " " Position Pin

No	Plate						
92583	956	Feed Bracket
SS383e	956	" "	Adjusting Screw Stud
1677c	956	" "	" " " Nut
190d	956	" "	" " " Stop Screw
92584	957	" "	Gear (22 teeth) with 1259c
92585	957	" "	" (33 ") " 1259c
92393	1388	" "	" (40 ") " 1259c
92394	1388	" "	" (44 ") " 1259c

NOTE.—Feed Bracket Gears Nos. 92584 and 92585 are sent with this machine unless otherwise specified on order.

Gears 92394 and 92590 give $4\frac{1}{2}$ stitches per inch.

"	92393	"	92590	"	5 $\frac{1}{2}$	"	"	"
"	92585	"	92590	"	7	"	"	"
"	92585	"	92591	"	9	"	"	"
"	92584	"	92590	"	11	"	"	"
"	92584	"	92591	"	13	"	"	"

1259c	1038	Feed Bracket	Gear Set Screw
92571	919	" "	Oil Tube
92586	956	" "	Shaft
92587	956	" "	" Collar with 1258c
1258c	956	" "	" " Set Screw
92588	956	" "	Washer
92589	956	"	Shaft (upright)
92590	957	"	" (") Gear (60 teeth) with 1036c
92591	957	"	" (") " (75 ") " 1036c
1036c	956	"	" (") " Set Screw
92592	957	"	Spiral with two 465c
465c	956	"	" Set Screw
92593	957	"	" Wheel with 1259c
1259c	1038	"	" Set Screw
92392	—	Feed Bracket, complete, Nos. 190d, 92583, 92586, 92587, 92592 and 92593

92505	913	Feed Bracket (front)
4389	918	" "	(") Dowel Pin (2)
134d	1391	" "	(") Screw (2)
92506	920	" "	(") Thread Guide
217f	1391	" "	(") " " Screw
92570	916	" "	Stud
199f	1391	" "	" End Position Screw
316c	1391	" "	" Raising Set Screw
445c	1392	" "	" Set Screw

No.	Plate						
92507	916	Feeding Disc	(front, coarse)
92573	916	" "	(" fine)
92508	916	" "	(back, coarse) with 454c
92574	916	" "	(" fine) with 454c
454c	1392	" "	(") Set Screw

NOTE.—Nos. 92507 and 92508 are supplied with this machine unless fine feeding discs are specified on order.

92509	917	Feeding Disc	(back) Edge Guide
205f	1391	" "	(") " " Screw (2)
92532	921	Guide Adjusting Bracket
SS359b	1391	" "	" Adjusting Screw
247b	1391	" "	" " " Position Screw
933b	1392	" "	" Locking Screw
92524	921	" "	Plate (front)
92525	921	" "	" (back)
SS358b	1391	" "	" Guide Screw
NN71b	1392	" "	" " " Nut
92526	921	" "	" Hinge Pin
SS357b	1391	" "	" Screw Stud
220b	1391	" "	" " " Set Screw
NN70a	1392	" "	" " " Thumb Nut
92527	921	" "	" Spring
SS45f	1391	"	Binding Screw
95201	1037	"	Body
92523	921	"	" Bush
788a	1392	"	" " Fulcrum Screw
208b	1391	"	" " Screw
92553	921	"	Bracket
92530	921	"	Lifting Retaining Stud
237a	1392	"	" " " Screw
95202	1037	"	" " " Spring
92528	921	"	" Segment
207b	1391	"	" " " Screw
SS374b	1391	"	" " " Stop Eccentric Screw
1628c	1392	"	" " " " " Nut
82462	921	"	" " " " " Washer
92366	1389	"	Releasing Lever
1247b	1037	"	" " " Screw
92367	1389	"	" " " Wedge Block

92385 1400 **Guide** (adjustable), complete, Nos. NN71b, 220b, 247b, 357a, SS357b to SS359b, SS374b, 788a, 933b, 1247b, 1628c, 82462, 92366, 92367, 92523 to 92525, 92527, 92528, 92530, 92532, 92533, 95201, 95202, two each NN70a, 207b, 208b and 92526

No.	Plate							
*95412	---	Head (of Machine)
114d	1391	" (" ") Binding Screw (2)
92539	917	Looper
193f	1038	" Binding Screw
92536	918	" Holder
92538	918	" " Connecting Link
996c	1392	" " " " Hinge Screw
SS375c	1391	" " " " " Screw (eccentric)
904c	1392	" " " " " " Set Screw
1547c	1392	" " " " " " Nut for SS375c and 996c
92537	918	" " Stud
453c	1392	" " " Set Screw
92546	917	Loop Spreader
175f	1391	" " Binding Screw
92575	918	" " Holder with 904c
92543	914	" " " Crank Connecting Rod with 92544 and two 896d
*92544	---	" " " " " " Cap
896d	1392	" " " " " " " Screw
92545	918	" " " " " " Stud
1120c	1392	" " " " " " " Set Screw...
SS360c	1391	" " " " " Hinge Screw Stud
1520c	1392	" " " " " " Nut
SS367c	1391	" " " " " " Oil Feed Screw
92541	918	" " " " " Rocking Bracket
92542	918	" " " " " Stud
453c	1392	" " " " " " Set Screw
92547	---	Machine Base
525b	---	" Hinge Bolt
1727b	1392	" " " Nut
2807	1389	" " " " Washer
8294	---	" " " Connection
8295	---	" " " Hinge Pin
8306b	---	" " " Nos. 525b, 8294 and 8295
8292b	919	Machine Hinge , complete, Nos. 1727b, 2807 and 8306b (2)
92548	917	Needle Bar
92559	917	" " Bush
446c	1392	" " " Set Screw
92549	917	" " " Connection with 175f and 904c...
175f	1391	" " " Binding Screw
42055	917	" " " Link

No.	Plate							
40247	917	Needle Bar Connection Link Stud (2)
904c	1392	" " " " " " Set Screw
92550	920	" " " Thread Eyelet
217f	1391	" " " " " " Screw
92553	917	" " Crank Connecting Rod with 92554 and two 171c
*92554	---	" " " " " " Cap
171c	1391	" " " " " " " Screw
40247	917	" " " " " " Stud
904c	1392	" " " " " " " Set Screw
197f	1391	" " Needle Set Screw
92551	917	" " Rock Lever with 191c and two 904c
191c	1038	" " " " " Set Screw
92552	917	" " " " " Stud
92529	---	" " Thread Guide
92558	918	" " " Retaining Spring
10106	918	" " " " Tension Disc
SS369d	1391	" " " " " " Screw
NN74d	1392	" " " " " " " Regulating Thumb Nut
92576	---	Needle Bar , complete, Nos. NN74d, 197f, SS369d, 92529, 92548, 92558 and two 10106
92560	920	Needle Guide
92561	920	" " Adjustable Work Guide
640f	1392	" " " " " " Adjustable Screw
92562	920	" " " " " " " Spring
108f	1391	" " " " " " Hinge Screw
164f	1391	" " Binding Screw
92572	920	Needle Guide , complete, Nos. 108f, 640f and 92560 to 92562
2102	918	Tension Disc
SS362c	1391	" Screw Stud
1560d	1392	" " " Nut
331f	1391	" " " " Set Screw
92563	918	" Spring
92564	916	Thread Guide (Cover Plate)
92565	916	" " (for head of Machine)
217f	1391	" " Screw for 92564 and 92565
9543	918	Thread Nipper Disc
9544	918	" " " Cover
9545	918	" " " Spring
185c	1391	" " " Screw

PARTS SPECIAL

TO

No. 46K41 Machine

**High Speed for Power ; Double Thread Chain Stitch for Seaming
Fine Hosiery Work ; Positive Feed Mechanism (right to left) ;
both Feeding Discs positively driven from Crank Shaft.**

This Machine is the same as No. 46K40, with the following exceptions :—

No.	Plate					
95369	1039	Feed Bracket (front) Bush
445c	1392	" " (") " Set Screw
92382	1388	Feed Bracket Gear (16 teeth) with 1259c
92383	1388	" " " (19 ") " 1259c
92584	957	" " " (22 ") " 1259c
92585	957	" " " (33 ") " 1259c

*NOTE.—Feed Bracket Gears Nos. 92584 and 92585 are sent
with this machine unless otherwise specified on order.*

Gears 92585 and 95370 give 7 stitches per inch.

" 92585	" 95371	" 9	" " "
" 92584	" 95370	" 11	" " "
" 92584	" 95371	" 13	" " "
" 92383	" 95371	" 15	" " "
" 92382	" 95371	" 18	" " "

92389	1388	Feeding Disc (front) with 454c
454c	1392	" " (") Set Screw
92390	1388	" " (back) with 454c
95375	1039	" " (") Edge Guide
95376	1039	" " Gear
95377	1036	" " Shaft for 95373
95378	1039	" " Gear with two 196f
196f	1391	" " " " Set Screw
95370	1038	Feed Shaft (upright) Gear (60 teeth) with 1036c and 95372
95371	1038	" " (") " (75 ") " 1036c " 95372
95372	1038	" " (") " Driving Pin

No	Plate					
95379	1037	Guide Adjusting Plate (front)
95380	1037	" " " (back)
SS421b	1038	" " " Guide Screw
NN80b	1038	" " " " " Nut
95381	1037	" Body
92386	932	" Lifting Segment
92368	1387	Guide (adjustable), complete, Nos. NN80b, 220b, 247b, 337a, SS357b, SS359b, SS374b, SS421b, 788a, 933b, 1247b, 1628c, 82462, 92366, 92367, 92386, 92523, 92527, 92530, 92532, 92533, 95202, 95379 to 95381, two each NN70a, 207b, 208b and 92526
*92369	—	Head (of Machine)
92597	1038	Looper Thread Take-up Spring
331e	1391	" " " " Screw
92598	1038	" " " " Thread Guide
331e	1391	" " " " " " Screw
95384	—	Machine Base
95385	1038	Needle Bar
95386	1038	" " Clamp
193f	1038	" " " Binding Screw
95387	1038	" " " " " Washer
95388	—	Needle Bar , complete, Nos. NN74d, 193f, 197f, SS369d, 92529, 92558, 95385 to 95387 and two 10106
95389	1039	Needle Guide
95390	1039	" " Adjustable Work Guide
95391	—	Needle Guide , complete, Nos. 108f, 640f, 92562, 95389 and 95390

PARTS SPECIAL

TO

No. 46K44 Machine

**High Speed for Power ; Double Thread Chain Stitch for Seaming
Fine Work in Underwear, Hose, etc. ; Adjustable Work Guides ;
Positive Feed Mechanism (right to left) ; both Feeding
Discs positively driven from Crank Shaft.**

This machine is the same as No. 46K40, with the following exceptions:—

No.	Plate	
92381	1387	Balance Wheel Crank Shaft
92391	—	Cover Plate, complete, Nos. 131e, 217f, 227c, SS362c, 95460, 95463 to 95466, two each 1560d, 92563, three 92029 and four 2102
92301	1390	Feed Adjusting Lever Spring Screw Spindle with 14026
14026	919	" " " " " " " " Position Pin
92358	1387	Feed Bracket (front)
95369	1039	" " (") Bush
445c	1392	" " (") " Set Screw
92359	1389	" " (") Thread Guide
330f	1391	" " (") " " Screw
92382	1388	Feed Bracket Gear (16 teeth) with 1259c
92383	1388	" " " (19 ") " 1259c
92584	957	" " " (22 ") " 1259c
92585	957	" " " (33 ") " 1259c

NOTE.—Feed Bracket Gears Nos. 92584 and 92585 are sent with this machine unless otherwise specified on order.

Gears 92585 and 95370 give 7 stitches per inch.

"	92585	"	95371	"	9	"	"	"
"	92584	"	95370	"	11	"	"	"
"	92584	"	95371	"	13	"	"	"
"	92383	"	95371	"	15	"	"	"
"	92382	"	95371	"	18	"	"	"

No.	Plate	
92389	1388	Feeding Disc (front) with 454c
454c	1392	" " (") Set Screw
92390	1388	" " (back) with 454c
92360	1389	" " (") Edge Guide

NOTE.—No. 92360 is only supplied when specified on order and at an extra charge.

92362	1389	Feeding Disc (back) Edge Guide Bracket
92363	1389	" " (") " " Chaining Finger
220d	1391	" " (") " " " " Screw
92361	—	" " (") " " " complete, Nos. 92362, 92363, and two 220d
95376	1039	" " Gear
95377	1036	" " Shaft for 95373
95378	1039	" " " Gear with two 196f
196f	1391	" " " " Set Screw
92364	1390	" " " Stripper (for Front Feeding Disc)
1094d	1392	" " " Screw (for Front Feeding Disc)
92365	1390	" " " (for Back Feeding Disc)
330d	1391	" " " Screw (2) (for back Feeding Disc)

95370	1038	Feed Shaft (upright) Gear (60 teeth) with 1036c and 95372
95371	1038	" " (") " (75 ") " 10.6c " 95272
95372	1038	" " (") " Driving Pin

95379	1037	Guide Adjusting Plate (front)
95380	1037	" " " (back)
SS421b	1038	" " " Guide Screw
NN80b	1038	" " " " " Nut
95381	1037	" Body
92386	932	" Lifting Segment

92368	1387	Guide (adjustable), complete, Nos. NN80b, 220b, 247b, 337a, SS357b, SS359b, SS374b, SS421b, 788a, 933b, 1247b, 1628c, 82462, 92366, 92367, 92386, 92523, 92527, 92530, 92532, 92533, 95202, 95379 to 95381, two each NA70a, 207b, 208b and 92526
-------	------	--	-----	-----	-----	-----

*92369	—	Head (of Machine)
--------	---	-------------------	-----	-----	-----	-----

190f	956	Looper Screw
92370	1389	" Thread Controller
190f	956	" " " Screw
92371	1389	" " " Guide

95384	—	Machine Base
-------	---	--------------	-----	-----	-----	-----

No.	Plate						
95385	1038	Needle Bar
95386	1038	"	"	Clamp
193f	1038	"	"	"	Binding Screw
95387	1038	"	"	"	"	Washer	...
92372	1389	"	"	"	Thread Retaining Spring
92373	—	Needle Bar , complete, Nos. NN74d, 193f, 197f, SS369d, 92372, 92529, 95385 to 95387 and two 10106
92374	1389	Needle Guide
92375	—	"	"	Adjustable Work Guide
173c	1391	"	"	Position Screw
92376	—	Needle Guide , complete, Nos. 108f, 640f, 92374, 92375 and 92562
92377	1390	Needle Thread Controller Bracket
330d	1391	"	"	"	"	Screw	...
92378	1389	"	"	"	"	Spring	...
92379	1389	"	"	"	"	Adjusting Plate	...
707d	1392	"	"	"	"	"	Screw
SS466d	1391	"	"	"	"	"	Screw
1637d	1392	"	"	"	"	"	Nut
92380	—	Needle Thread Controller , complete, Nos. 330d, SS466d, 707d, 1637d and 92377 to 92379
95463	—	Tension Release
95465	—	"	"	"	Rod
227c	1391	"	"	"	Set Screw
95464	—	"	"	"	Spring
131e	1391	"	"	"	Screw Stud Set Screw
95466	—	Thread Guide (Cover Plate)

Accessories

No.	Plate						
86405	913	Tweezers
25537	—	Screw Driver
36569	—	Oiler
1152	914	Screw for Bench for 2" Table
—	—	Wood Screw, 1½" × ¼"
215 × 11	—	Needles (6), one each sizes 14, 16, 19, 21 and two size 17, for 46K40 Machine
215 × 11	—	Needles (6), one each sizes 8, 10, 11, 14 and two size 9, for 46K41 to 46K44 Machines

Thread Unwinder

For Two Large Spools.

No.	Plate						
202486	—	Spool Pin
202487	—	"	Rest
202488	1310	"	"	202487 with 200363c, 200383c and two 202486
202489	1310	"	"	Rod
200383c	1392	"	"	"	Set Screw
200383c	1392	"	"	"	Set Screw
202490	1310	"	"	Stand with 200383c
202491	1310	"	"	Washer (Steel)
202794	1310	Thread Eyelet Rod
200363c	1392	"	"	"	Set Screw
84872	1310	Thread Unwinder , complete, Nos. 202488 to 202490, 202794, two 202491 and three Wood Screws, ¾" No. 13

Foot Lever

The undernoted parts are included in the equipment of each Machine.

No.	Plate	
91296	915	Foot Lever
92567	915	" " Bracket
—	—	" " " Wood Screws, 1 $\frac{1}{4}$ " No. 15
91298	1390	" " " Hinge Pin
92578	915	Foot Lever, complete, Nos. 92567, two each 91296, 91298 and five Wood Screws, 1 $\frac{1}{4}$ " No. 15
39569	—	" " Chain, 45" long, with 39575 and 39576
39575	1390	" " " Hook (lower)
39576	1390	" " " " (upper)
92568	—	Combination Feeding Disc Opener and Driving Foot Levers, com- plete, Nos. 92578 and two 39569

Obsolete Parts

No.	Plate	
92496	913	Balance Wheel , with two 448c, for 46K40 and 46K41 Machines
92497	914	" " Crank Shaft for 46K40 and 46K41 Machines ...
92501	914	Cover Plate for 92577
92577	---	Cover Plate , complete, Nos. 185c, 217f, 331f, SS362c, 9544, 9545, 92501, 92564, two each 1560d, 9543, 92563, and four 2102, for 46K40 and 46K41 Machines... ..
54f	1391	Cover Plate Hinge Screw for 46K40 and 46K41 Machines ...
283d	1391	" " Thumb " " 46K40 " 46K41 Machines ...
92502	913	Feed Adjusting Lever for 46K40 Machine
92504	916	Feed Bell Crank for 46K40 Machine
92033	917	" " " Connecting Rod with 92034, 92256 and four 196c, for 46K40 Machine
*92034	"	" " " " " Cap (Plain Countersink, for Friction Wheel Driver Universal Joint Screw) for 92033
*92256	"	" " " Connecting Rod Cap (Elongated Countersink, for Bell Crank Universal Joint Screw) for 92033
92035	920	" " " Fulcrum Stud for 46K40 Machine
*38127	920	Feed Eccentric for 92511
*92510	920	" " Body for 92511
21331	920	" " Pressure Spring for 92511
21332	920	" " " " Cap for 92511
92511	920	Feed Eccentric (adjustable), complete, Nos. 196d, 934d, 1103c, 21331, 21332, 38127, 92510 and two 443c, for 46K40 Machine
92512	914	Feed Eccentric Connecting Rod with 80358 and two 159c, for 46K40 Machine
*80358	---	" " " " Cap for 92512
92571	919	" " " " Oil Tube for 46K40 Machine
92513	913	Feed Friction Shaft (upright) for 46K40 Machine
92566	919	" " Wheel, with two 448c, for 46K40 Machine
92517	919	" " " Driver, with 92516, for 46K40 Machine ...
92581	932	" " " " " 92516, for 46K40 Machine ...
92518	919	" " " " Spring for 46K40 Machine ...
92582	918	" " " " " for 46K40 Machine ...
92516	919	" " " " " Hook for 92517 and 92581

No	Plate	
92514	919	Feed Friction Wheel Internal Grip Ring for 46K40 Machine ...
92515	919	" " " " " " " " Pawl, with 92516, for 46K40 Machine
92579	918	" " " " " " " " for 46K40 Meh.
92580	918	" " " " " " " " Retaining Plate for 46K40 Machine
92519	919	" " " " Retaining Wedge, with 92521, for 46K40 Machine
92520	919	" " " " " " Spring for 46K40 Meh....
92521	919	" " " " " " " " Hook for 92519...
95373	1039	Feeding Disc (front), with 454c, for 46K41 Machine ...
95374	1039	" " (back), with 454c, for 46K41 Machine ...
92522	921	Guide Body for 46K40 Machine ...
92531	921	" Lifting Retaining Stud Spring for 46K40 Machine ...
95203	1037	" Releasing Lever for 46K40 to 46K42 Machines ...
95204	1037	" " " Wedge Block for 46K40 to 46K42 Meh.
92540	918	Loop Spreader Holder for 46K40 Machine ...

PARTS SPECIAL

TO

No. 46K42 Machine

(Obsolete)

**High Speed for Power ; Double Thread Chain Stitch, for Seaming
Fine Silk Hose ; Adjustable Work Guide ; Positive Feed
Mechanism (right to left) ; both Feeding Discs
Positively Driven from Crank Shaft.**

This machine is the same as No. 46K40, with the following exceptions:

No	Plate	
95462		Cover Plate , complete, Nos. 131c, 185c, 217f, 227c, SS362c, 9544, 9545, 95460, 95463 to 95466, two each 1560d, 9543, 92563, three 92029 and four 2102 ...
92301	1390	Feed Adjusting Lever Spring Screw Spindle with 14026 ...
14026	919	" " " " " " " " Position Pin ...
95369	1039	Feed Bracket (front) Bush ...
445c	1392	" " (") " Set Screw ...
92382	1388	Feed Bracket Gear (16 teeth) with 1259c ...
92383	1388	" " " (19 ") " 1259c ...
92584	957	" " " (22 ") " 1259c ...
92585	957	" " " (33 ") " 1259c ...
<i>NOTE:--Feed Bracket Gears Nos. 92581 and 92585 are sent with this machine unless otherwise specified on order.</i>		
<i>Gears 92585 and 95370 give 7 stitches per inch.</i>		
<i>" 92585 " 95371 " 9 " " " "</i>		
<i>" 92581 " 95370 " 11 " " " "</i>		
<i>" 92584 " 95371 " 13 " " " "</i>		
<i>" 92383 " 95371 " 15 " " " "</i>		
<i>" 92382 " 95371 " 18 " " " "</i>		
92389	1388	Feeding Disc (front) with 454c ...
454c	1392	" " (") Set Screw ...
92390	1388	" " (back) with 454c ...
95375	1039	" " (") Edge Guide ...

No.	Plate						
95376	1039	Feeding Disc Gear
95377	1036	" " Shaft for 95373
95378	1039	" " " Gear with two 196f
196f	1391	" " " " Set Screw
95370	1038	Feed Shaft (upright) Gear (60 teeth) with 1036c and 95372
95371	1038	" " (") " (75 ") "	1036c	"	95372
95372	1038	" " (") " Driving Pin
95379	1037	Guide Adjusting Plate (front)
95380	1037	" " " (back)
SS421b	1038	" " " Guide Screw
NN80b	1038	" " " " " Nut
95381	1037	" Body
92386	932	" Lifting Segment
92368	1387	Guide (adjustable), complete, Nos. NN80b, 220b, 247b, 337a, SS357b, SS359b, SS374b, SS421b, 788a, 933b, 1247b, 1628c, 82462, 92366, 92367, 92386, 92523, 92527, 92530, 92532, 92533, 95202, 95379 to 95381, two each NN70a, 207b, 208b and 92526
*95413	---	Head (of Machine)
92597	1038	Looper Thread Take-up Spring
331e	1391	" " " " Screw
92598	1038	" " " " Thread Guide
331e	1391	" " " " " " Screw
95384	---	Machine Base
95385	1038	Needle Bar
95386	1038	" " Clamp
193f	1038	" " " Binding Screw
95387	1038	" " " " " Washer
95388	---	Needle Bar , complete, Nos. NN74d, 193f, 197f, SS369d, 92529, 92558, 95385 to 95387 and two 10106
92302	932	Needle Guard
219d	1391	" " Screw
92303	932	Needle Guide
95390	1039	" " Adjustable Work Guide
92304	---	Needle Guide , complete, Nos. 108f, 219d, 640f, 92302, 92303, 92562 and 95390

No.	Plate						
95463	---	Tension Release
95465	---	" " Rod
227c	1391	" " Set Screw
95464	---	" " Spring
131e	1391	" Screw Stud Set Screw
95466	---	Thread Guide (Cover Plate)
330f	1391	" " Screw (for head of machine)
92305	932	Thread Take-up Bracket (for Looper Thread)
92306	932	" " " (for Needle Thread)
330f	1391	" " " Screw (for Looper Thread)
92307	932	" " Post
92308	---	" " " 92307 with NN77d
NN77d	1392	" " " Thumb Nut
92309	932	Thread Take-up Spring (for Looper Thread)
92310	932	" " " (for Needle Thread)
95289	---	" " " Collar
92311	---	Thread Take-up (for Looper Thread), complete, Nos. 92305, 92308, 92309 and 95289
92312	---	Thread Take-up (for Needle Thread), complete, Nos. 92306, 92308, 92310 and 95289

PARTS SPECIAL

TO

No. 46K43 Machine

(Obsolete)

**High Speed for Power ; Double Thread Chain Stitch for Seaming
Fine Work in Underwear, Hose, etc. ; Adjustable Work Guides ;
Positive Feed Mechanism (right to left) ; both Feeding
Discs positively driven from Crank Shaft.**

This machine is the same as No. 46K40, with the following exceptions :

No.	Plate	
95462	—	Cover Plate , complete, Nos. 131c, 185c, 217f, 227c, SS362c, 9544, 9545, 95460, 95463 to 95466, two each 1560d, 9543, 92563, three 92029 and four 2102
92301	1390	Feed Adjusting Lever Spring Screw Spindle with 14026
14026	919	" " " " " " " " Position Pin
92358	1387	Feed Bracket (front)
95369	1039	" " (") Bush
445c	1392	" " (") " Set Screw
92359	1389	" " (") Thread Guide
330f	1391	" " (") " " Screw
92382	1388	Feed Bracket Gear (16 teeth) with 1259c
92383	1388	" " " (19 ") " 1259c
92584	957	" " " (22 ") " 1259c
92585	957	" " " (33 ") " 1259c

NOTE—Feed Bracket Gears Nos. 92584 and 92585 are sent with this machine unless otherwise specified on order.

Gears 92585 and 95370 give 7 stitches per inch

"	92585	"	95371	"	9	"	"	"
"	92584	"	95370	"	11	"	"	"
"	92584	"	95371	"	13	"	"	"
"	92383	"	95371	"	15	"	"	"
"	92382	"	95371	"	18	"	"	"

No.	Plate	
92389	1388	Feeding Disc (front) with 454c
454c	1392	" " (") Set Screw
92390	1388	" " (back) with 454c
92360	1389	" " (") Edge Guide

NOTE—No. 92360 is only supplied when specified on order and at an extra charge.

92362	1389	Feeding Disc (back) Edge Guide Bracket
92363	1389	" " (") " " Chaining Finger
220d	1391	" " (") " " " " Screw
92361	—	" " (") " " complete, Nos. 92362, 92363 and two 220d
95376	1039	" " Gear
95377	1036	" " Shaft for 95373
95378	1039	" " " Gear with two 196f
196f	1391	" " " " Set Screw
92364	1390	" " Stripper (for front Feeding Disc)
1094d	1392	" " " " Screw (for front Feeding Disc)
92365	1390	" " " " (for back Feeding Disc)
330d	1391	" " " " Screw (2) (for back Feeding Disc)

95370	1038	Feed Shaft (upright) Gear (60 teeth) with 1036c and 95372
95371	1038	" " (") " (75 ") " 1036c " 95372
95372	1038	" " (") " Driving Pin

95379	1037	Guide Adjusting Plate (front)
95380	1037	" " " (back)
SS421b	1038	" " " Guide Screw
NN80b	1038	" " " " " Nut
95381	1037	" Body
92386	932	" Lifting Segment

92368	1387	Guide (adjustable) , complete, Nos. NN80b, 220b, 247b, 337a, SS357b, SS359b, SS374b, SS421b, 788a, 933b, 1247b, 1628c, 82462, 92366, 92367, 92386, 92523, 92527, 92530, 92532, 92533, 95202, 95379 to 95381, two each NN70a, 207b, 208b, and 92526
-------	------	---

*92369	—	Head (of Machine)
--------	---	--------------------------

190f	956	Looper Screw
92370	1389	" Thread Controller
190f	956	" " " Screw
92371	1389	" " Guide

95384	—	Machine Base
-------	---	---------------------

No.	Plate						
95385	1038	Needle Bar
95386	1038	"	"	Clamp
193f	1038	"	"	"	Binding Screw
95387	1038	"	"	"	"	Washer	...
92372	1389	"	"	"	Thread Retaining Spring
92373	—	Needle Bar , complete, Nos. NN74d, 193f, 197f, SS369d, 92372, 92529, 95385 to 95387 and two 10106
92374	1389	Needle Guide
92375	—	"	"	"	Adjustable Work Guide
173c	1391	"	"	"	Position Screw
92376	—	Needle Guide , complete, Nos. 108f, 640f, 92374, 92375 and 92562
92377	1390	Needle Thread Controller Bracket
330d	1391	"	"	"	"	Screw	...
92378	1389	"	"	"	"	Spring	...
92379	1389	"	"	"	"	Adjusting Plate	...
707d	1392	"	"	"	"	"	Screw
SS466d	1391	"	"	"	"	"	Screw
1637d	1392	"	"	"	"	"	Nut
92380	—	Needle Thread Controller , complete, Nos. 330d, SS466d, 707d, 1637d and 92377 to 92379
95463	—	Tension Release
95465	—	"	"	"	Rod
227c	1391	"	"	"	Set Screw
95464	—	"	"	"	Spring
131e	1391	"	"	"	Screw Stud Set Screw
95466	—	Thread Guide (Cover Plate)

Numerical List of Parts

No.	Plate				
SS45d	1391	Cover Plate Binding Screw
SS45f	1391	Guide Binding Screw
54f	1391	Cover Plate Hinge Screw for 46K40 and 46K41 Machines	(Obsolete)
NN70a	1392	Guide Adjusting Plate Screw Stud Thumb Nut for 92368 and 92385
NN71b	1392	Guide Adjusting Plate Guide Screw Nut for 92385
NN74d	1392	Needle Bar Thread Retaining Tension Screw Regulating Thumb Nut for 92373, 92576 and 95388
NN77d	1392	Thread Take-up Post Thumb Nut for 92308
NN80b	1038	Guide Adjusting Plate Guide Screw Nut for 92368
108f	1391	Needle Guide Adjustable Work Guide Hinge Screw for 92304, 92376, 92572 and 95391
114d	1391	Head (of Machine) Binding Screw
131e	1391	Tension Screw Stud Set Screw for 92391 and 95462
134d	1391	Feed Bracket (front) Screw
164f	1391	Needle Guide Binding Screw
171e	1391	Needle Bar Crank Connecting Rod Cap Screw for 92553
173c	1391	Needle Guide Position Screw for 46K43 and 46K44 Machines
175f	1391	Loop Spreader Binding Screw
175f	1391	Needle Bar Connection Binding Screw for 92549
185c	1391	Thread Nipper Screw for 92577, 95461 and 95462
190d	956	Feed Bracket Adjusting Screw Stud Stop Screw for 92392
190f	956	Looper Screw for 46K43 and 46K44 Machines
190f	956	Looper Thread Controller Screw for 46K43 and 46K44 Machines
191c	1038	Needle Bar Rock Lever Set Screw for 92551...
193f	1038	Looper Binding Screw
193f	1038	Needle Bar Clamp Binding Screw for 92373 and 95388