

HISTORICAL COPY

FORM 18971
(330)
PRINTED IN U. S. A.

DO NOT REMOVE

LIST
OF
PARTS



MACHINES
Nos. 44-14 and 44-15

*** A TRADE MARK OF
THE SINGER MANUFACTURING COMPANY

INSTRUCTIONS FOR OILING

To ensure easy running and prevent unnecessary wear of the parts which are in movable contact, the machine requires oiling and when in continuous use, "TYPE B" or "TYPE D" OIL, sold only by Singer Sewing Machine Company, should be applied at least twice each day to all oil holes marked "OIL".

"TYPE D" OIL is stainless.

Copyright, U. S. A., 1917, 1921, 1935 and 1936
by The Singer Manufacturing Co.
All Rights Reserved for all Countries

INDEX

	Page
Accessories.....	16
Belt Guard.....	16
Bobbin Winders.....	17
Driving Attachment.....	18
Foot Lifter Parts.....	21
Knee Lifter Parts.....	22
Knife Grinder.....	23
Machine Base.....	16
Machine No. 44-14.....	5
Machine No. 44-15.....	14
Numerical List of Parts.....	29
Obsolete Parts.....	25
Thread Unwinder.....	24

INSTRUCTIONS FOR ORDERING

In ordering from this list, use ONLY the part NUMBER in the FIRST column.

The number stamped on a Sewing Machine Part is in every case the number of the single part only.

Every combination of parts sent out as such has its specific number, which, although not stamped on the parts, must be used when ordering the combination.

Each number always indicates the SAME PART in whatever list it appears, or for whatever machine.

The letters after some of the numbers indicate the style of finish only, as follows:

- A-Hardened, Polished, Nickel Plated and Buffed
- B-Polished, Nickel Plated and Buffed
- C-Hardened Only
- D-Polished Only
- E-Soft, Not Polished
- F-Hardened and Polished
- F.J-Hardened, Polished and Nickel Plated
- G-Bright Rumbled and Nickel Plated
- H-Blued
- J-Nickel Plated Only
- K-Hardened and Nickel Plated
- L-Brass Plated
- M-Oxidized
- N-Japanned, Dull
- P-Japanned, Bright
- R-Merlized
- T-Copper Plated
- T.A-Hardened, Polished, Copper and Nickel Plated and Buffed
- T.B-Copper and Nickel Plated and Polished
- T.J-Copper and Nickel Plated Only
- T.K-Hardened, Copper and Nickel Plated
- T.M-Copper Plated and Oxidized
- T.L-Copper and Brass Plated
- U-Zinc Plated
- V-Silver Plated
- W-Polished and Nickel Plated
- Y-Black Nickel Plated Only
- Z-Chromium Plated
- Z.B-Polished, Nickel Plated, Buffed and Chromium Plated
- Z.J-Nickel and Chromium Plated

These letters **MUST BE USED** when they appear in the list; and **AFTER** the number as in the list.

In this series:

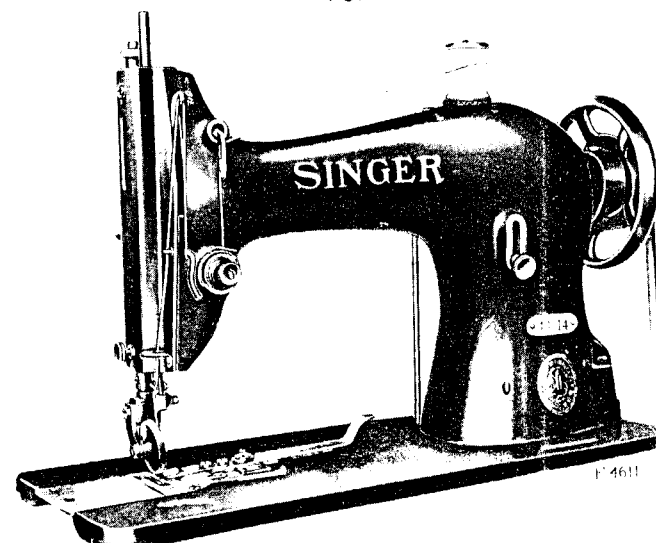
- 1 to 1500, 50001 to 51500 and 140001 to 142000 are Screw Numbers
- 1501 to 1800 and 51501 to 51800 are Nut Numbers
- 1801 to 2000 and 51801 to 52000 are Roller Numbers
- 2001 to 50000 and 52001 to 140000 and 142001 to 190000 are Sewing Machine Parts, 190001 and upward are numbers of Electrical Parts.

The figures in the second column refer only to the plates, illustrating the parts, and are **NOT TO BE USED** in ordering.

Parts marked with an asterisk (*) are furnished only when repairs are made at factory.

LIST OF PARTS COMPLETE

FOR



MACHINE No. 44-14

FOR SHOES, ETC. HAS HORIZONTAL UNDER TRIMMER. DROP FEED. SPEED 1600 R. P. M.

No.	Plate	Name
*62603	----	Arm with 11104, 15404 and two 15405....
8582	8387	" Dowel Pin.....
12453	8387	" Oil Tube for oiling intermediate bearing.....
12454	8387	Arm Oil Tube with 132590, for oiling 12409.....
24131	8387	Arm Oil Tube with 52045, for oiling 12197.....
15783	8387	Arm Oil Tube.....
11119	8387	" " " 15783 with 52045, for oiling 12408.....
52045	8387	Arm Oil Tube Packing (cotton).....
132590	8387	" " " (wick).....
748E	8387	* Screw (back).....
868E	8387	" " (front).....
16511	8388	" Shaft.....
*11104	----	" " Bushing (front).....
12357	8388	" " Flanged Bushing (back).....
448C	8387	" " " " " Set Screw

No.	Plate	Name
144D	8387	Arm Shaft Screw.....
12480	8388	" Side Cap.....
219D	8387	" " Screw.....
12193	8388	" " Cover.....
51224D	8387	" " Thumb Screw.....
12403	8388	" Spool Pin and Thread Eyelet.....
8879	8427	" " Washer (cloth).....
24296	9388	Balance Wheel (power) light rim, 2 3/16 in. pulley, with two 448C.....
24297	8388	Balance Wheel Oil Cover.....
210D	8387	" " Screw.....
448C	8387	" " Set Screw.....
*16503	----	Bed.....
20197	8388	Crank Connecting Rod with two 896E....
896E	8387	" " Cap Screw.....
908C	8387	" " Hinge Screw.....
1619E	8387	" " Nut...
12366	----	Face Plate.....
12367	8389	Face Plate complete, Nos. 12150, 12366 and 45720.....
190D	8387	Face Plate Screw.....
44181	----	" " Thread Guard (lower).....
12150	8387	" " " " 44181 with 12152.....
12152	8387	Face Plate Thread Guard (lower) Rivet..
45720	----	" " " " (upper) with 125373
125373	----	" " " " Rivet....
51224D	8387	" " Thumb Screw.....
12368	8389	Feed Bar.....
313C	8387	" " Screw Center.....
56813	----	" " " " 313C with 1519J..
1519J	8387	" " " " Nut.....
12197	8389	" Cam and Feed Lifting Eccentric with 446C.....
446C	8387	Feed Cam and Feed Lifting Eccentric Set Screw.....
3033	8390	Feed Connecting Link.....
375C	8390	" " Hinge Screw.....
1518E	8390	" " " " Nut...
24162	2016	" Dog, 10 teeth (16 teeth to the inch) for 44264, 44266 and 62846.....
Note: No. 24162 is sent with this machine unless otherwise specified on order.		
24430	2016	Feed Dog, 8 teeth (12 teeth to the inch) for 44264 and 62846.....
208E	8427	Feed Dog Screw.....
12123	8389	" Forked Connection.....
375C	8390	" " Hinge Screw.....
1518E	8390	" " " " Nut..
16504	8444	" Lifting Rock Shaft.....

No.	Plate	Name
16588	----	Feed Lifting Rock Shaft complete, Nos. 3093, 12376, 16504 and 16556.....
16556	8390	Feed Lifting Rock Shaft Crank (back) with 462C.....
3093	8390	Feed Lifting Rock Shaft Crank (back) Pin.....
462C	8390	Feed Lifting Rock Shaft Crank (back) Set Screw.....
12376	8390	Feed Lifting Rock Shaft Crank (front) with 157J and 1813.....
157J	8390	Feed Lifting Rock Shaft Crank (front) Clamping Screw.....
1813	8390	Feed Lifting Rock Shaft Crank (front) Roller and Stud.....
43976	8389	Feed Lifting Rock Shaft Crank Connect- ing Rod with two 966E.....
966E	8390	Feed Lifting Rock Shaft Crank Connect- ing Rod Cap Screw.....
375C	8390	Feed Lifting Rock Shaft Crank Connect- ing Rod Hinge Screw.....
1518E	8390	Feed Lifting Rock Shaft Crank Connect- ing Rod Hinge Screw Nut.....
307C	8390	Feed Lifting Rock Shaft Screw Center...
56814	----	" " " " " " 307C with 1513J.....
1513J	8390	" " " " " " Nut
3039	8389	" Regulator.....
1128E	8390	" " Hinge Screw.....
818D	8390	" " Thumb Screw.....
16506	8444	" Rock Shaft.....
24376	----	Feed Rock Shaft complete, Nos. 16506 and 29633.....
29633	8390	Feed Rock Shaft Crank with 157J.....
157J	8390	" " " " Clamping Screw...
307C	8390	" " " " Screw Center.....
56814	----	" " " " " " 307C with 1513J.....
1513J	8390	Feed Rock Shaft Screw Center Nut.....
24164	8428	Knife with 62788 and two 44289 (corner bent up) for under trimming.....
24165	----	Knife with Guide (corner bent up) and Holder (sectional) complete, for under trimming, Nos. 24164, 24174 and two 602F.....
24586	8428	Knife without Guide (corner bent up) for under trimming.....
62774	8428	Knife without Guide (corner bent up) slotted for under trimming.....
24587	----	Knife without Guide (corner bent up) and Holder (sectional) complete, for under trimming, Nos. 24174, 24586 and two 602F.....

No.	Plate	Name
24605	8428	Knife with Guide and two 44289 (corner flush on top) for under trimming.
24606	----	Knife with Guide (corner flush with top) and Holder (sectional) complete, for under trimming, Nos. 24174, 24605 and two 602F.....
24607	8428	Knife without Guide (corner flush with top) for under trimming.....
24608	----	Knife without Guide (corner flush with top) and Holder (sectional) complete, for under trimming, Nos. 24174, 24607 and two 602F.....
24166	8428	Knife, for edge trimming.....
24167	----	Knife and Holder (sectional) complete, for edge trimming, Nos. 24166, 24174 and two 602F.....
44262	8433	Knife Driving Lever.....
44263	----	" " " 44262 with 104D, 217D 24172, 24173 and 65065.....
65065	8428	Knife Driving Lever Adjusting Block with 24177.....
217D	8428	Knife Driving Lever Adjusting Block Screw.....
24170	8428	Knife Driving Lever Center Plate.....
24171	8428	" " " " " Cap...
934J	8428	" " " " " " Screw.....
756J	8428	Knife Driving Lever Center Plate Screw
24172	8433	" " " Fork.....
24173	8433	" " " " Swivel.....
104D	8428	" " " " " Screw..
24334	8433	" " " Shield.....
242J	8428	" " " " Screw.....
*62788	----	" Guide.....
44289	8428	" Rivet.....
24174	8433	" Holder.....
1098C	8428	" " Adjusting Screw.....
886C	8428	" " " " Binding Screw.....
24175	8428	Knife Holder Bushing.....
24178	8428	" " Position Spring.....
24177	8428	" " Stud.....
24188	----	" " Regulator, Nos. 886C and 1098C.....
50998K	8428	Knife Holder Screw.....
1097K	8428	" " Stop Screw.....
802F	8428	" Screw.....
12448	8433	Needle Bar (hollow).....
12382	2552	" " Connecting Link with 794E..
43997	----	" " " " 12382 with 12384.....

No.	Plate	Name
794E	2552	Needle Bar Connecting Link Adjusting Screw.....
*12383	----	Needle Bar Connecting Stud.....
1904	2552	" " " " Roller (roller only).....
453C	8390	Needle Bar Connecting Stud Set Screw..
12384	2552	Needle Bar Connecting Stud complete, Nos. 453C, 1904 and 12383.....
20188	8389	Needle Bar Crank with 858C and 1065C..
1065C	8390	" " " Position Screw.....
858C	8390	" " " Set Screw.....
936C	8390	" " Screw Bushing.....
44245	8427	" " Thread Guard.....
233J	8427	" " " Screw.....
2167	8427	" Clamp with 196F.....
196F	8427	" " Screw.....
44222	8433	Oil Cup.....
44223	----	" " 44222 with 44005.....
44214	8433	" " Extension.....
44005	----	" " 44214 with 24075....
24075	8433	" " Post.....
44006	8433	" " Packing (felt).....
44224	8433	" " Thread Retainer.....
44225	8433	Oil Cup complete, Nos. 44006, 44223 and 44224.....
*24104	8389	Oscillating Rock Shaft.....
24105	----	Oscillating Rock Shaft complete, Nos. 4784, 12388 and 24104.....
139602	----	Oscillating Rock Shaft 24105 with 908C
12388	8389	" " " Hinge Pin.....
878J	8427	" " " " Oil Hole Stop Screw.....
12459	8427	Oscillating Rock Shaft Hinge Pin Oil Hole Stop Screw Washer (leather).
448C	8387	Oscillating Rock Shaft Hinge Pin Set Screw.....
908C	8387	Oscillating Rock Shaft Hinge Screw....
4784	8427	" " " Oil Pad.....
24178	8444	" Shaft.....
19496	----	" " Crank for 19447.....
44134	----	" " " " 44135.....
19447	8429	Oscillating Shaft Crank complete, Nos. 457C, 1518E, 19449 and 19496.....
44135	8429	Oscillating Shaft Crank complete, Nos. 1518E, 19449, 44134 and two 453C...
2049	8396	Oscillating Shaft Crank Pin.....
457C	8429	" " " Set Screw for 19447.....
453C	8390	Oscillating Shaft Crank Set Screw for 44135.....
19448	8429	Oscillating Shaft Crank Slide Block...

No.	Plate	Name
226D	8429	Oscillating Shaft Crank Slide Block Cap Screw.....
12424	8429	Oscillating Shaft Crank Slide Block Cap Screw Washer.....
988C	8429	Oscillating Shaft Crank Slide Block Screw Stud.....
1518E	8390	Oscillating Shaft Crank Slide Block Screw Stud Nut.....
19449	----	Oscillating Shaft Crank Slide Block complete, Nos. 226D, 988C, 12424 and 19448.....
19441	8433	Presser Bar (hollow).....
19464	----	Presser Bar complete, Nos. 190D, 19441 to 19443 and 24445.....
12326	8429	Presser Bar Guide Bracket with 453C...
453C	8390	" " " " Set Screw...
52016	8433	" " " Lifter.....
689C	8429	" " " Screw.....
1520E	8429	" " " Nut.....
12327	8429	" " " Lifting and Releasing Lever Bracket.....
11167	8433	Presser Bar Spring (light) .051 wire..
Note: No. 11167 is sent with this machine unless another Spring is specified on order.		
12139	8433	Presser Bar Spring (medium) .055 wire.
20023	8433	" " " (heavy) .063 wire.
11170	8429	" " " Washer.....
688J	8396	Pressure Regulating Thumb Screw.....
51801	8430	Roller, 9/16 in. diam., coarse, with 388D and 1550H.....
51802	----	Roller, 9/16 in. diam., fine, with 388D and 1550H.....
1868	----	Roller, 7/8 in. diam., coarse, with 652D and 1528D.....
1841	----	Roller, 7/8 in. diam., fine, with 652D and 1528D.....
51902	8430	Roller, 7/8 in. diam., 9/64 in. face, coarse (ball bearing) complete for 62868, Nos. 1528D, 201699D, 350104D and twenty-eight 206417..
1911	8430	Roller, 1 1/4 in. diam., coarse, with 386D and 1528D.....
1912	----	Roller, 1 1/4 in. diam., fine, with 386D and 1528D.....
51863	8430	Roller, 1 1/4 in. diam., 7/32 in. face coarse (ball bearing) complete for 62748, Nos. 1528D, 1786C, 50553C and twenty-four 16232.....
1870	8430	Roller, 1 1/2 in. diam., coarse, with 386D and 1528D.....
24903	8430	Roller Arm for 24904 and 24905.....

No.	Plate	Name
62677	8430	Roller Arm for 62721 and 62722.....
16573	8430	" " " 16581, 16582 and 62700..
62857	----	" " " 62868.....
62747	8430	" " " 62748.....
19442	8431	" " " Bracket.....
19443	8431	" " " Position Collar with 456C.....
456C	8431	Roller Arm Bracket Position Collar Set Screw.....
987E	8431	Roller Arm Bracket Screw Stud.....
19444	8431	" " " Spring.....
19445	8431	" " " Pin.....
19446	8431	" " " Stud.....
24445	----	Roller Arm Bracket Spring Stud com- plete, Nos. 987E and 19444 to 19446.....
16232	8431	Roller Ball.....
206417	8431	" Ball.....
1766C	8431	" " Retaining Nut.....
201699D	8431	" " " Nut.....
24904	8431	Roller Presser complete, 9/16 in. coarse roller, Nos. 24903 and 51801.....
24905	----	Roller Presser complete, 9/16 in. fine roller, Nos. 24903 and 51802.....
62721	8431	Roller Presser complete, 7/8 in. coarse roller, Nos. 1868 and 62677.....
62722	----	Roller Presser complete, 7/8 in. fine roller, Nos. 1841 and 62677.....
16581	----	Roller Presser complete, 1 1/4 in. coarse roller, Nos. 1911 and 16573
16582	8431	Roller Presser complete, 1 1/4 in. fine roller, Nos. 1912 and 16573.....
Note: No. 16582 is sent with this machine unless another Roller Presser is specified on order.		
62700	8431	Roller Presser complete, 1 1/2 in. coarse roller, Nos. 1870 and 16573
62868	----	Roller Presser (ball bearing) complete 7/8 in. coarse roller, Nos. 51902 and 62857.....
62748	----	Roller Presser (ball bearing) complete 1 1/4 in. coarse roller, Nos. 51863 and 62747.....
190D	8387	Roller Presser Screw.....
388D	8431	" Screw for 51801 and 51802.....
386D	8431	" " " 1870, 1911 and 1912..
652D	8430	" " " 1841 and 1868.....
50553C	8430	" " " 51863.....
350104D	8430	" " " 51902.....
155CH	5431	" " " Nut for 51801 and 51802..

No.	Plate	Name
1528D	8398	Roller Screw Nut for 1841, 1868, 1870, 1911, 1912, 51863 and 51902.....
2996	8396	Shuttle Bobbin.....
*62739	----	" " Case.....
15140	8396	" " " Latch.....
2973	8396	" " " Lever.....
2974	8396	" " " Fulcrum Pin.....
2975	8396	Shuttle Bobbin Case Latch Spring.....
592E	8396	" " " Stop Screw..
15141	8396	" " " Hinge, Nos. 2973, 2974 and 15140.....
*7553	8396	Shuttle Bobbin Case Position Finger...
2523	8396	" " " Rivet
24412	8396	" " " Plate....
391J	8427	" " " Screw
62740	8396	Shuttle Bobbin Case complete, Nos. 591F 592E, 2523, 2975, 7553, 15141, 15278 and 62739.....
12393	8396	Shuttle Body.....
591F	8427	" Tension Regulating Screw.....
15278	8396	" Spring.....
19292	8427	" 1 11/16 in. diam., Nos. 2996, 12393 and 62740.....
24179	8434	Shuttle Driver.....
2049	8396	" Pin.....
2531	8398	" Race Back.....
2532	8396	" " Position Pin.....
2533	8396	" " Spring.....
907D	8427	" " Screw.....
24413	----	" " Body.....
*62502	----	" " 24413 with 24418 and two 1053D.....
62517	----	Shuttle Race Body 62502 with two 2532.
24418	8396	" " Cap.....
1053D	8427	" " Screw.....
24419	8434	Shuttle Race complete, Nos. 907D, 2531, 2533, 24412, 62517 and two 391J....
145D	8427	Shuttle Race Screw.....
12431	8434	" Slide.....
12432	----	Shuttle Race Slide complete, Nos. 4307 12431 and two 725E.....
4307	8434	Shuttle Race Slide Spring.....
725E	8398	" " Screw.....
2102	3471	Tension Disc.....
1580C	8398	" Regulating Thumb Nut.....
32572	8398	" Releasing Disc.....
43944	8398	" Lever.....
12398	8398	" " Hinge Pin.....
12329	8398	" " Spring.....
32574	8398	" Pin.....

No.	Plate	Name
50327C	8398	Tension Screw Stud.....
44141	----	" " 50327C with 1560C..
43945	8398	" Spring.....
12149	2552	" Thread Guard.....
44118	----	Tension complete, Nos. 7336, 32572, 32574 43945, 43946, 44141 and two 2102...
52454	9398	Thread Retainer.....
624C	8398	" Set Screw.....
12404	2552	" Take-up Crank.....
3094	2552	" " Wedge.....
690E	2552	" " Screw.....
12408	2552	" Lever.....
775E	8398	" Cap Screw.....
12166	8398	" Hinge Pin.....
12409	2552	" Link.....
11204	8474	" Hinge Fin...
475C	8398	" " Set Screw.....
12410	----	Thread Take-up Lever complete, Nos. 12166, 12409 and 12409.....
43946	2552	Thread Take-up Spring.....
7336	8428	" Regulator.....
448C	8387	" Set Screw
24180	8434	Throat Plate Body.....
24336	2016	" Needle Hole Strip, large oblong needle hole.....
24337	----	Throat Plate Needle Hole Strip, small oblong needle hole.....
934J	8428	Throat Plate Needle Hole Strip Screw..
44264	----	Throat Plate with Trimming Attachment complete for 24162, 24430 and 44266, Nos. 1097K, 24165, 24170, 24175, 24176, 24180, 24188, 24334, 24336 or 24337, 44263, 50998K, two each 242J, 756J, 24171 and six 934J
62846	----	Throat Plate with Trimming Attachment complete for 24162 and 24430, Nos. 1097K, 24170, 24175, 24176, 24180, 24188, 24334, 24336 or 24337, 24587, 44263, 50998K, two each 242J, 756J, 24171 and six 934J.....
44266	----	Throat Plate with Trimming Attachment complete, Nos. 24162, 24166 and 44264.....
1094F	8435	Throat Plate Screw.....
*15404	----	Trade Mark.....
15405	8398	" Rivet.....
24079	8407	Drip Pan.....

MACHINE BASE

No.	Plate	Name
24106	8399	Bed Frame Cushion (felt).....
158E	8399	" " " Screw.....
24107	8399	" " Hinge Connection.....
9261	8399	" " " Pin.....
970D	8399	" " Thumb Screw.....
24108	2643	" " With 970D, two each 9261, 24107 four each 158E, 24106 and six wood screws 1 1/4 in. No. 12.....
24908	8407	Drip Pan with two wood screws 1/2 in. No. 5 R.H.B., for 24108.....

ACCESSORIES

No.	Plate	Name
51075E	8399	Machine Hinge Bolt with 51581E.....
51581E	8427	" " " Nut.....
6055	8399	" " " Washer.....
12361	8399	" " Connection.....
44139	8399	" " Plate.....
44140	----	Machine Hinge complete, Nos. 12361, 44139 and wood screw 1 1/4 in. No. 14..
44190	----	Machine Hinge complete, Nos. 6055, 12361 44139 and 51075E.....
12405	8399	Machine Rest (felt).....
4140C	8438	" " Pin (wood) 3 1/8 in. long
120342	8439	Oiler (copper plated) with 120343.....
120343	8438	" Spout, 3 1/2 in. long.....
26026	8438	Screw Driver (machine).....
26485	8438	" (shuttle tension).....
4822	8438	Wrench for 1521 and 1528.....
8908	8438	" " 1519, 1520 and 1620.....
8909	8438	" " 1513, 1518 and 51581.....
19221	8438	" " 936, 1516 and 1619.....

BELT GUARD

No.	Plate	Name
41929	8444	Belt Guard.....
8418	8399	" " Button.....
8419	8399	" " Washer (leather)....
8420	----	" " " 8418 with 8419 and wood screw 1 1/4 in. No. 9 R.H.B.
41930	8399	Belt Guard Hinge.....
41931	----	Belt Guard complete, Nos. 8420, 41929, two 41930 and four wood screws 3/4 in. No. 9.....

BOBBIN WINDERS

BOBBIN WINDER

(SWINGING AUTOMATIC, RIGHT HAND)

FOR 2996

FOR POWER TABLE

No.	Plate	Name
225433	8406	Bobbin Winder and Tension Bracket Base
225453	8440	Frame with 202277 and 225438.....
225454	3471	" Hinge Pin.....
202277	3471	" Oil Packing (wick).....
225438	3471	" " Well Cap.....
225455	3471	" Spring.....
225456	3471	" Plunger.....
202473	8406	Pulley with 200380C.....
200380C	3471	" Set Screw.....
225381	8440	Spindle.....
225444	3471	Stop Latch.....
200058E	3471	" " Screw.....
225458	3471	" " Thumb Lever.....
225459	3471	" " " Hinge Stud.....
225459	3471	" " " Joint Stud.....
202478	3471	" " Trip Lever.....
200299H	3471	" " " Hinge Screw.....
225461	3471	Tension Bracket with 201499B.....
200082D	3471	" " Screw.....
228026	8427	" " " Washer.....
2102	3471	" Disc.....
202407	3471	" Spring.....
201499B	3471	" Stud.....
201572B	3471	" " Thumb Nut.....
225462	----	Tension Bracket complete, Nos. 201572B 202407, 225461 and two 2102.....
225382	8406	Bobbin Winder (swinging automatic, right hand) complete, Nos. 200058E 200082D, 200299H, 202473, 202478, 225381, 225433, 225444, 225453 to 225456, 225458, 225462, 228026, two each 225459 and wood screws 3/4 in. No. 12 R.H.B.....

BOBBIN WINDER

(SWINGING AUTOMATIC, RIGHT HAND)

FOR 2996

FOR STAND

No.	Plate	Name
27540	8440	Base.....

BOBBIN WINDER

No.	Plate	Name
15072	8427	Bobbin Position Pin.....
27302	8440	Frame.....
50356D	8427	" Hinge Screw.....
1620J	8427	" " Nut.....
27303	8427	" Spring.....
27541	8440	Pulley.....
*27849	----	Spindle.....
27538	8440	" 27849 with 15072,27850 and 41828
*27850	----	Collar.....
41828	8427	" Pin.....
27306	8440	Spool Pin.....
27307	8440	" Stand.....
27308	8440	Spool Stand complete, Nos. 418E,1562J, 2106,10141,11241,27306,27307, two each 2455 and wood screws 1 in.No 10.....
11241	8388	Spool Washer (cloth).....
27312	8440	Stop Latch.....
35D	8427	" " Hinge Screw.....
2455	8435	Tension Disc.....
1562J	8435	" Regulating Thumb Nut.....
418E	8435	" Screw Stud.....
10141	8435	" Spring.....
2106	8435	" Thread Guide.....
27647	----	Bobbin Winder, Nos. 35D,1620J,27302, 27303,27312,27538,27540,27541, 50356D and two wood screws 1 in. No. 7.....
27544	----	Bobbin Winder (swinging automatic, right hand) complete, Nos. 27308 and 27647.....

DRIVING ATTACHMENT

No.	Plate	Name
16592	8442	Balance Wheel (friction) with 7958, 16524 and two 435C.....
16524	----	Balance Wheel (friction) Ring (leather)
7958	8674	" " " Stop Pin.
24355	8439	" " Oil Cover.....
210D	8387	" " " Screw.....
435C	8398	" " Set Screw.....
15072	8427	Bobbin Position Pin.....
16514	8439	" Winder Frame.....
32D	3429	" " Hinge Screw.....
16515	8429	Bobbin Winder Frame complete, Nos.333D, 5960,5961,5963,15077 and 16514....
5960	8439	Bobbin Winder Friction Wheel (leather).

No.	Plate	Name
5961	8439	Bobbin Winder Friction Wheel Washer...
333D	8436	" " " " Screw
15077	8439	" " Spindle with 15072.....
5963	8439	" " " Flange.....
27306	8440	" " Spool Pin.....
27307	8440	" " Stand.....
27308	8440	Bobbin Winder Spool Stand complete, Nos. 418E,1562J,2106,10141,11241, 27306,27307, two each 2455 and wood screws 1 in. No. 10.....
11241	8388	Bobbin Winder Spool Washer (cloth)....
12170	8439	" " Spring.....
180F	8436	" " Screw.....
16516	8439	" " Stop Latch with 152F and 1550J.....
152F	8674	Bobbin Winder Stop Latch Adjusting Screw.....
1550J	8431	Bobbin Winder Stop Latch Adjusting Screw Nut.....
75D	8674	Bobbin Winder Stop Latch Hinge Screw..
27303	8427	" " " Spring.....
2269	8436	" " " Stop Pin.....
2455	8435	" " Tension Disc.....
1562J	8435	" " " Regulating Thumb Nut
418E	8435	" " " Screw Stud.....
10141	8435	" " " Spring.....
2106	8435	" " " Thread Guide....
16530	8439	Bracket.....
692D	8436	" Screw.....
16528	8442	Drip Pan with four 1 in. wire nails, for 44-14 Machine.....
24338	2643	Drip Pan with four 1 in. wire nails, for 44-15 Machine.....
16518	8442	Driving Arm with 2269,2928 and two 15132.....
2928	8674	Driving Arm Brake (leather).....
15132	8674	" " " Rivet.....
12178	8674	" " Friction Plug (wood).....
427E	8674	" " " Adjusting Screw.....
1508C	8674	Driving Arm Friction Plug Adjusting Screw Nut.....
693D	8439	Driving Arm Hinge Screw.....
1579C	8439	" " " Nut.....
16519	8442	" " Pitman.....
16520	8439	" " Crank with 803C and 1520E.....
803C	8436	Driving Arm Pitman Crank Adjusting Screw.....
1520E	8429	Driving Arm Pitman Crank Adjusting Screw Nut.....

DRIVING ATTACHMENT

No.	Plate	Name
2022	8674	Driving Arm Pitman Crank Pin.....
16521	8439	" " " " Spring.....
24528	8439	" " " " Adjusting Collar with three 448C.....
448C	8387	Driving Arm Pitman Crank Spring Adjusting Collar Set Screw.....
65D	8674	Driving Arm Pitman Hinge Screw.....
16522	----	Driving Arm complete, Nos. 32D, 75D, 180F 427E, 693D, 1508C, 1579C, 12170, 12178 16515, 16516, 16518, 16530 and 27303
16594	8441	Driving Friction Pulley, 2 5/16 in. diam., with 861D and 10236.....
10236	8674	Driving Friction Pulley Center Bearing
861D	8436	" " " Oil Hole Plug Screw.....
27072	8443	Shaft Driving Pulley (sectional, grooved) 12 in. diam., 1 3/16 in. bore, with two 597C.....
597C	8674	Shaft Driving Pulley Clamping Screw...
12189	8441	Starting Crank.....
2022	8674	" " Pin.....
16525	8441	" " Shaft.....
24529	8441	" " " Bracket with 24528
130D	8436	" " " " Screw....
24530	----	Starting Crank Shaft Bracket complete, Nos. 12189, 16520, 16521, 16525, 24529 and two 2022.....
126036	8443	Treadle.....
126205	8441	" Bracket (left).....
126206	----	Treadle Bracket (left) complete, Nos. 23258, 126205, 126207, 126208 and two wood screws 1 in. No. 14....
126207	8441	Treadle Bracket (left) Hook.....
23258	8674	" " " Friction Washer.....
126208	8674	Treadle Bracket (left) Hook Rivet.....
46681	8441	" " (right).....
60502	----	" " " 46681 with two wood screws 1 in. No. 14.....
27637	8442	Treadle Pitman Rod (lower).....
150208	8440	" " " " Spring.....
6055	8399	" " " " Washer
14081	8442	" " " (upper).....
80223	8442	" " " Clamp with 361C....
361C	8674	" " " " Screw.....
14233	8442	Treadle Pitman complete, Nos. 2762, 6055 14081, 27637, 80223 and 150208.....
126209	----	Treadle complete, Nos. 60502, 126036 and 126206.....
126213	----	Treadle Pitman complete, Nos. 14233 and 126209.....

DRIVING ATTACHMENT

No.	Plate	Name
2762	8404	Treadle Stop Collar with 362C.....
362C	8674	" " " Set Screw.....
16531	----	Driving Attachment with Bobbin Winder and Treadle complete, Nos. 210D, 692D, 16519, 16522, 16592, 16594, 24355, 24530, 27072, 27308, 126213, two 65D and three 130D.....

FOOT LIFTER PARTS

No..	Plate	Name
5596	8404	Bell Crank.....
56848	----	" " 5596 with 5599 and 5601....
5599	8404	" " Bracket.....
178E	8436	" " " Screw.....
5601	8404	" " Hinge Pin.....
5735	8404	" " Spring.....
5598	8404	Bell Crank complete, Nos. 5735 and 56848.....
5670	----	Chain, length 26 in. to 35 in. with 56864 and 56865.....
Note: When ordering No. 5670, state length required.		
4879	8404	Chain Connecting Link.....
56864	8404	" Hook (large).....
56865	8404	" " (small).....
16510	8404	Lifting Lever with 448C.....
12415	8404	" " Connecting Rod.....
12418	8404	" " " " Joint....
76D	8435	" " " " Hinge Screw.....
1521E	8435	Lifting Lever Connecting Rod Lock Nut.
802D	8404	" " Hinge Screw.....
12241	8404	" " Link.....
766D	8435	" " Hinge Screw.....
12240	8404	" " Pin.....
448C	8387	" " " Set Screw.....
2763	8406	Rock Shaft.....
12242	8404	" " Hanger with two wood screws 1 in. No. 10.....
6337	8406	Rock Shaft Lifting Bracket with two 356C.....
12243	8408	Rock Shaft Lifting Bracket Hook for 5598.....
7125	8406	Rock Shaft Lifting Bracket Hook for 5670.....
356C	8435	Rock Shaft Lifting Bracket Hook Set Screw.....

FOOT LIFTER PARTS

No.	Plate	Name
356C	8435	Rock Shaft Lifting Bracket Set Screw..
2770	8406	" " Stop Dog with 356C.....
356C	8435	" " " " Set Screw.....
4880	8406	Rock Shaft complete, Nos. 2763,2770, 7125,12243,two each 6337 and 12242.....
4881	8406	Treadle.....
4882	8404	" Shaft.....
4883	8404	" Spring.....
4884	8406	" Stand.....
4885	8406	Treadle complete, Nos. 4879,4881 to 4884 and two wood screws 1 in.No. 18.....
19331	----	Foot Lifter complete, Nos. 76D,766D, 802D,1521E,4880,4885,5598,5670, 12240,12241,12415,12418,16510 and two 178E.....

KNEE LIFTER PARTS

No.	Plate	Name
5598	8404	Bell Crank.....
56848	----	" " 5596 with 5599 and 5601....
5599	8404	" " Bracket.....
178E	8436	" " " Screw.....
5601	8404	" " Hinge Pin.....
5735	8404	" " Spring.....
5598	8404	Bell Crank complete, Nos. 5735 and 56848.....
16510	8404	Lifting Lever with 448C.....
12415	8404	" " Connecting Rod.....
12416	8404	" " " " Joint....
76D	8435	" " " " " Hinge Screw.....
1521E	8435	Lifting Lever Connecting Rod Lock Nut.
802D	8404	" " Hinge Screw.....
12241	8404	" " Link.....
766D	8435	" " " Hinge Screw.....
12240	8404	" " Pin.....
448C	8387	" " " Set Screw.....
2759	8404	" Rod with 2761.....
2761	8404	" Cap (washer).....
2762	8404	" Collar with 362C.....
362C	8674	" " " Set Screw.....
2760	----	" " 2759 with 2762.....
2763	8406	Rock Shaft.....
12242	8404	" " Hanger with two wood screws 1 in. No. 10.....

KNEE LIFTER PARTS

No.	Plate	Name
2765	8406	Rock Shaft Knee Arm for 2768.....
6335	8442	" " " " " 6336.....
2768	8406	" " " " Hub with 356C.....
356C	8435	" " " " " Set Screw.....
2768	----	Rock Shaft Knee Arm complete for 2777, Nos. 2765 to 2767.....
6336	----	Rock Shaft Knee Arm complete for 19168 Nos. 2766, 2767 and 6335.....
2767	8406	Rock Shaft Knee Plate with 356C.....
356C	8435	" " " " Set Screw.....
2769	8404	" " Lifting Arm with 356C.....
356C	8435	" " " " Set Screw.....
6337	8406	" " " Bracket with two 356C.....
2778	8406	Rock Shaft Lifting Bracket Hook.....
356C	8435	" " " " Set Screw
356C	8435	" " " " Set Screw..
2770	8406	" " Stop Dog with 356C.....
356C	8435	" " " " Set Screw.....
2777	8406	Rock Shaft 2763 with 2768,2770,2778, 6337 and two 12242.....
19168	----	Rock Shaft complete for 24161, Nos. 2760,2763,2769,6336, two each 2770 and 12242.....
16512	----	Knee Lifter complete (power table) Nos. 76D,766D,802D,1521E,2777, 5598,12240,12241,12415,12416, 16510 and two 178E.....
24161	----	Knee Lifter complete (bench stand) Nos. 76D,766D,802D,1521E,5598, 12240,12241,12415,12416,16510, 19168 and two 178E.....

KNIFE GRINDER

FOR 24164, 24166, 24586, 24605 and 24607

No.	Plate	Name
27565	8440	Emery Wheel, 2 in. diam.....
1508J	8674	" " Clamping Nut.....
27822	8429	" " " Washer.....
27567	8440	" " Shaft.....
60934	----	" " " 27567 with 1508J, 27565,27569 and 27822.....
27568	8438	Emery Wheel Shaft Oil Hole Cover (rub- ber).....
27569	8440	Emery Wheel Shaft Pulley.....
310K	8436	" " " Screw Center.....

KNIFE GRINDER

No.	Plate	Name
1516J	8436	Emery Wheel Shaft Screw Center Nut....
27564	8442	Frame with 27574.....
41322	2835	Knife Holder with 1127J.....
41323	2835	" " Bracket with 183K, 27574 and 41324.....
310K	8436	Knife Holder Bracket Screw Center.....
1516J	8436	" " " " " Nut.
27573	8436	" " " " Spring.....
27574	8436	" " " " Hook.....
41324	2835	" " " " Hinge Stud.....
183K	2835	" " " " Set Screw....
261J	8436	" " " " Regulating Thumb Screw.....
1127J	2835	" " " " Thumb Screw.....
41325	----	Knife Grinder complete, Nos. 261J, 27564 27573, 27662, 41322, 41323, 60934, two 27568, three wood screws 1 in. No. 10 and four each 310K and 1516J..
27662	8438	Wrench for 1508 and 1516.....

THREAD UNWINDER

FOR ONE LARGE SPOOL OR ONE LARGE CONE OF THREAD

No.	Plate	Name
225259	8405	Spool Rest with 201018C.....
150203	8405	" " Cushion (felt).....
225388	8405	" " Rod.....
200383C	8435	" " " Set Screw.....
201018C	8435	" " " Set Screw.....
202490	8405	" " Stand with 200383C.....
225391	8405	Thread Guide.....
201696J	8435	" " Lock Nut.....
225326	8435	" " Position Cup.....
225324	8405	" " Rod with 208E and 225322.
208E	8427	" " " Screw.....
225322	8435	" " " Washer.....
225280	8405	Thread Unwinder complete, Nos. 150203, 201696J, 202490, 225259, 225324, 225326, 225388, 225391 and three wood screws 7/8 in. No. 12.....
27739	8405	Thread Cone (wood) for large cones....
225390	8405	" " Holder for inverted cones.

Note: Nos. 27739 and 225390 are used with, but
not included in 225280.

OBSOLETE PARTS

No.	Plate	Name
29599	----	Arm Oil Tube Packing (felt) use 52045.
286D	8437	" Side Cover Thumb Screw, use 51224D
11241	8388	" Spool Pin Washer (cloth) use 8879.
27636	----	Driving Attachment Treadle, for 27642.
9082	8437	" " " " Bearing
		" Cotter Pin, for 27642.....
27638	8434	Driving Attachment Treadle Pitman Rod (lower) Spring, for 15130.....
2877	8444	Driving Attachment Treadle Pitman Rod (upper) for 15130.....
9079	----	Driving Attachment Treadle Pitman Rod Clamp with 354C, use 80223.....
	354C	8437 Driving Attachment Treadle Pitman Rod Clamp Screw for 9079.....
15130	8444	Driving Attachment Treadle Pitman com- plete, for 15131, Nos. 2762, 2877, 6055, 27637, 27638 and 80223.....
2878	8443	Driving Attachment Treadle Stand, for 27642.....
27642	----	Driving Attachment Treadle complete for 14234 and 15131, Nos. 2878, 9082, 27636 and four wood screws 1 in. No. 16.....
15131	----	Driving Attachment Treadle and Pitman complete, Nos. 15130 and 27642, use 126213.....
14234	----	Driving Attachment Treadle and Pitman complete, Nos. 14233 and 27642, use 126213.....
2827	8387	Face Plate Thread Guard (upper) with 8505, use 45720.....
8505	8387	Face Plate Thread Guard (upper) Rivet for 2827.....
286D	8437	Face Plate Thumb Screw, use 51224D....
2049	8396	Feed Lifting Rock Shaft Crank (back) Pin, use 3093.....
2270	----	Feed Wheel Frame Steady Spring.....
24168	8441	Knife Driving Lever, for 24169.....
24169	----	Knife Driving Lever complete, Nos. 104D 24168, 24172 and 24173, use 44263.
1095K	8437	Knife Holder Screw, use 50998K.....
1096F	8437	" Screw, use 602F.....
28084	8437	Machine Rest Pin.....
44216	----	Needle Bar Thread Guard, use 44245....
44004	8441	Oil Cup for 44007.....
44007	8441	Oil Cup complete, Nos. 44004 to 44006, use 44225.....
36578	----	Oiler (copper plated) with 36579, use 120342.....

OBSOLETE PARTS

No.	Plate	Name
36579	----	Oiler Spout, 3 1/2 in. long, with 120117, for 36578.....
120117	8441	Oiler Spout Washer (leather) for 36579
229D	8437	Oscillating Shaft Crank Slide Block Cap Screw, use 226D.....
2062	8441	Presser Bar Lifter, use 52018.....
51858	----	Roller, 7/8 in. diam., coarse, for 51859.....
51859	8436	Roller, 7/8 in. diam., 9/64 in. face, coarse (ball bearing) Nos. 1528D, 1766C, 50553C, 51858 and twenty-four 16232, for 62746.....
16572	8436	Roller Arm, for 16579 and 16580.....
62762	8436	" " " 62746.....
16579	----	Roller Presser complete, 7/8 in. coarse roller, Nos. 1868 and 16572, use 62721.....
16580	----	Roller Presser complete, 7/8 in. fine roller, Nos. 1841 and 16572, use 62722.....
62746	----	Roller Presser (ball bearing) complete 7/8 in. coarse roller, Nos. 51859 and 62762, use 62868.....
24074	8437	Shuttle Bobbin Case complete, Nos. 591F, 592E, 2523, 2975, 7553, 15098 and 15141, use 62740.....
19270	----	Shuttle Race Body, for 24996.....
*24996	----	" " " 19270 with 5709 and two 662D, for 19269.....
19269	8434	Shuttle Race complete for 44-15 Machine, Nos. 907D, 2531, 2533, 24996 and two 2532, use 62753.....
15098	8437	Shuttle Tension Spring, for 24074.....
2921	8437	Tension Disc, for 44147.....
20037	8437	" Releaser, for 44147.....
29549	8434	" Releasing Lever, use 43944....
413C	8437	" Screw Stud, for 33892.....
33892	----	" " 413C with 1560C, for 44147.....
2923	8437	Tension Spring, for 44147.....
44147	----	Tension complete, Nos. 2923, 7336, 8511, 20037, 33892 and two 2921, use 44118.....
50429C	8437	Thread Retainer Set Screw, use 624C...
8511	8437	" Take-up Spring, for 44147.....
56832	----	Throat Plate with Trimming Attachment, Nos. 1097K, 24165, 24169, 24170, 24175, 24176, 24180, 24188, 24334, 24336 or 24337, 50998K, two each 242J, 756J, 24171 and six 934J, for 24162, 24183 and 24430.....

OBSOLETE PARTS

No.	Plate	Name
82537	----	Throat Plate with Trimming Attachment, Nos. 1097K, 24169, 24170, 24175, 24176, 24180, 24188, 24334, 24336 or 24337, 24587, 50998K, two each 242J, 756J, 24171 and six 934J, use 62846, for 24162 and 24430, for 44-14 Machine.....
24183	2016	Throat Plate with Trimming Attachment complete, for 44-14 Machine, Nos. 24162, 24186 and 56832, use 44266.
62582	----	Throat Plate with Trimming Attachment, Nos. 1097K, 24165, 24169, 24170, 24175, 24176, 24180, either 24184, 24185 or 24186, 24188, 24334, 50998K, two each 242J, 756J, 24171 and six 934J, for 2258 or 15022 and 24187.....
24187	----	Throat Plate with Trimming Attachment complete for 2258 or 15022, for 44-15 Machine, Nos. 24166 and 62582, use 44267.....

SINGER Needles should be used
in SINGER Machines.
These Needles and their Containers
are marked with the
Company's Trade Mark "SIMANCO.*" 1

Needles in Containers marked
"FOR SINGER MACHINES"
are NOT **SINGER** made needles. 2

SINGER Needles should be used
in SINGER Machines.
These Needles and their Containers
are marked with the
Company's Trade Mark "SIMANCO." 1

Needles in Containers marked
"FOR SINGER MACHINES"
are NOT **SINGER** made needles. 2

NUMERICAL LIST OF PARTS

NUMERICAL LIST OF PARTS

No.	Plate	Name
32D	8429	Bobbin Winder Frame Hinge Screw for 16522.....
35D	8427	Bobbin Winder Stop Latch Hinge Screw for 27647.....
65D	8674	Driving Arm Pitman Hinge Screw for 16531.....
75D	8674	Bobbin Winder Stop Latch Hinge Screw for 16522.....
76D	8435	Lifting Lever Connecting Rod Joint Hinge Screw for 16512, 19331 and 24161.....
104D	8428	Knife Driving Lever Fork Swivel Screw for 24169 and 44263.....
119C	8435	Feed Wheel Frame Adjusting Screw for 24191.....
130D	8438	Driving Attachment Starting Crank Shaft Bracket Screw for 18531....
144D	8387	Arm Shaft Screw.....
145D	8427	Shuttle Race Screw.....
151C	8435	Feed Wheel Friction Plate (back) Screw for 24191.....
152F	8674	Bobbin Winder Stop Latch Adjusting Screw for 16518.....
157J	3390	Feed Lifting Rock Shaft Crank (front) Clamping Screw for 12376.....
157J	8390	Feed Rock Shaft Crank Clamping Screw for 29633.....
158E	8399	Bed Frame Cushion Screw for 24108.....
178E	8436	Bell Crank Bracket Screw for 16512, 19331 and 24161.....
180F	3438	Bobbin Winder Spring Screw for 16522..
183C	2835	Feed Wheel Friction Plate (front) Screw for 24191.....
183F	2835	Feed Wheel Retaining Clutch Cap Screw for 24191.....
183K	2835	Knife Grinder Knife Holder Hinge Stud Set Screw for 41323.....
190D	8387	Face Plate Screw.....
190D	8387	Roller Presser Screw for 19464.....
196F	8427	Needle Clamp Screw for 2167.....
208E	8427	Feed Dog Screw.....
208E	8427	Thread Unwinder Thread Guide Rod Screw for 225324.....
210D	8387	Balance Wheel Oil Cover Screw.....
210D	8387	Driving Attachment Balance Wheel Oil Cover Screw for 18531.....

NUMERICAL

LIST

SINGER
OF PARTS

Singer Sewing Machine Company

Needles and

FOR SINGER

are NOT SINGER

No.	Plate	Name
217D	8428	Knife Driving Lever Adjusting Block Screw for 44283.....
219D	8387	Arm Side Cap Screw.....
228D	8429	Oscillating Shaft Crank Slide Block Cap Screw for 19449.....
229D	8437	Oscillating Shaft Crank Slide Block Cap Screw, obsolete, use 226D....
233J	8427	Needle Bar Thread Guard Screw.....
240D	8435	Feed Wheel Retaining Clutch Spring Screw for 24191.....
242J	8428	Knife Driving Lever Shield Screw for 44264, 44265, 56832, 62537, 62582 and 62846.....
261J	8436	Knife Grinder Knife Regulating Thumb Screw for 41325.....
286D	8437	Arm Side Cover Thumb Screw, obsolete, use 51224D.....
286D	8437	Face Plate Thumb Screw, obsolete, use 51224D.....
307C	8390	Feed Lifting Rock Shaft Screw Center for 56914.....
307C	8390	Feed Rock Shaft Screw Center for 56914
307C	8390	" Wheel Frame Shaft Screw Center for 56814.....
310K	8436	Knife Grinder Emery Wheel Shaft Screw Center for 41325.....
310K	8436	Knife Grinder Knife Holder Bracket Screw Center for 41325.....
313C	8387	Feed Bar Screw Center for 56813.....
313C	8387	" Wheel Driver Link Screw Center for 56813.....
324D	8436	Feed Wheel Driver Link Screw for 19440
333D	8436	Bobbin Winder Friction Wheel Washer Screw for 16515.....
354C	8437	Driving Attachment Treadle Pitman Rod Clamp Screw for 9079, obsolete...
356C	8435	Rock Shaft Knee Arm Hub Set Screw for 2766.....
356C	8435	Rock Shaft Knee Plate Set Screw for 2787.....
356C	8435	Rock Shaft Lifting Arm Set Screw for 2789.....
356C	8435	Rock Shaft Lifting Bracket Hook Set Screw for 6337.....
356C	8435	Rock Shaft Lifting Bracket Set Screw for 6337.....
356C	8435	Rock Shaft Stop Dog Set Screw for 2770
361C	8674	Driving Attachment Treadle Pitman Rod Clamp Screw for 80223.....
362C	8674	Driving Attachment Treadle Stop Collar Set Screw for 2762.....
362C	8674	Lifting Rod Collar Set Screw for 2762.

No.	Plate	Name
375C	8390	Feed Connecting Link Hinge Screw.....
375C	8390	" Forked Connection Hinge Screw....
375C	8390	" Lifting Rock Shaft Crank Connecting Rod Hinge Screw.....
386D	8431	Roller Screw for 1870, 1911 and 1912...
388D	8431	" " " 51801 and 51802.....
391J	8427	Shuttle Bobbin Case Position Plate Screw for 24419 and 62752.....
413C	8437	Tension Screw Stud for 33892, obsolete
418E	8435	Bobbin Winder Tension Screw Stud for 27308.....
427E	8674	Driving Arm Friction Plug Adjusting Screw for 16522.....
435C	8398	Driving Attachment Balance Wheel Set Screw for 16592.....
435C	8398	Thread Take-up Lever Link Hinge Pin Set Screw.....
446C	8387	Feed Cam and Feed Lifting Eccentric Set Screw for 12197.....
446C	8387	Feed Eccentric Set Screw for 5570.....
448C	8387	Arm Shaft Flanged Bushing (back) Set Screw.....
448C	8387	Balance Wheel Set Screw for 24296.....
448C	8387	Driving Arm Pitman Crank Spring Adjusting Collar Set Screw for 24528.....
448C	8387	Lifting Lever Arm Set Screw for 16510.
448C	8387	Oscillating Rock Shaft Hinge Pin Set Screw.....
448C	8387	Thread Take-up Spring Regulator Set Screw.....
453C	8390	Feed Wheel Frame Set Screw for 24190..
453C	8390	Needle Bar Connecting Stud Set Screw for 12384.....
453C	8390	Oscillating Shaft Crank Set Screw for 44135.....
453C	8390	Presser Bar Guide Bracket Set Screw for 12326.....
456C	8431	Roller Arm Bracket Position Collar Set Screw for 19443.....
457C	8429	Oscillating Shaft Crank Set Screw for 19447.....
462C	8390	Feed Lifting Rock Shaft Crank (back) Set Screw for 16556.....
591F	8427	Shuttle Tension Regulating Screw for 24074 and 62740.....
592E	8396	Shuttle Bobbin Case Latch Stop Screw for 24074 and 62740.....
597C	8674	Driving Attachment Shaft Driving Pulley Clamping Screw for 27072.....

No.	Plate	Name
802F	8428	Knife Screw for 24165,24167,24587,24806 and 24808.....
624C	8398	Thread Retainer Set Screw.....
652D	8430	Roller Screw for 1841 and 1868.....
662D	8435	Shuttle Race Cap Screw for 24996 and 62750.....
688J	8396	Pressure Regulating Thumb Screw.....
689C	8429	Presser Bar Lifter Screw.....
690F	2552	Thread Take-up Crank Wedge Screw.....
692D	8436	Driving Attachment Bracket Screw for 16531.....
693D	8439	Driving Arm Hinge Screw for 16522.....
725E	8398	Shuttle Race Slide Spring Screw for 12432.....
748E	8387	Arm Screw (back).....
756J	8428	Knife Driving Lever Center Plate Screw for 44264,44265,56832,62537,62582 and 62846.....
766D	8435	Lifting Lever Link Hinge Screw for 16512,19331 and 24161.....
775E	8398	Thread Take-up Lever Cap Screw.....
794E	2552	Needle Bar Connecting Link Adjusting Screw for 12382.....
802D	8404	Lifting Lever Hinge Screw for 16512, 19331 and 24161.....
803C	8436	Driving Arm Pitman Crank Adjusting Screw for 16520.....
818D	8390	Feed Regulator Thumb Screw.....
858C	8390	Needle Bar Crank Set Screw for 20188...
861D	8436	Driving Friction Pulley Oil Hole Plug Screw for 16594.....
868E	8387	Arm Screw Front.....
878J	8427	Oscillating Rock Shaft Hinge Pin Oil Hole Stop Screw.....
886C	8428	Knife Holder Adjusting Screw Binding Screw for 24188.....
896E	8387	Crank Connecting Rod Cap Screw for 20197.....
907D	8427	Shuttle Race Back Spring Screw for 19269,24419 and 62753.....
908C	8387	Crank Connecting Rod Hinge Screw.....
908C	8387	Oscillating Rock Shaft Hinge Screw for 139602.....
934J	8428	Knife Driving Lever Center Plate Cap Screw for 44264,44265,56832,62537, 62582 and 62846.....
934J	8428	Throat Plate Needle Hole Strip Screw for 44264,44265,56832,62537,62582 and 62846.....
936E	8390	Needle Bar Screw Bushing.....

No.	Plate	Name
966E	8390	Feed Lifting Rock Shaft Crank Connecting Rod Cap Screw for 43976.....
970D	8399	Bed Frame Thumb Screw for 24108.....
987E	8431	Roller Arm Bracket Screw Stud for 24445.....
988C	8429	Oscillating Shaft Crank Slide Block Screw Stud for 19449.....
1053D	8427	Shuttle Race Cap Screw for 62502.....
1065C	8390	Needle Bar Crank Position Screw for 20188.....
1094F	8435	Throat Plate Screw.....
1095K	8437	Knife Holder Screw,obsolete,use 50998K
1096F	8437	Knife Screw, obsolete, use 602F.....
1097K	8428	Knife Holder Stop Screw for 44264, 44265,56832,62537,62582 and 62846
1098C	8428	Knife Holder Adjusting Screw for 24188
1127J	2835	" Grinder Knife Thumb Screw for 41322.....
1128E	8390	Feed Regulator Hinge Screw.....
1503C	8674	Driving Arm Friction Plug Adjusting Screw Nut for 16522.....
1508J	8674	Knife Grinder Emery Wheel Clamping Nut for 60934.....
1513J	8390	Feed Lifting Rock Shaft Screw Center Nut for 56814.....
1513J	8390	Feed Rock Shaft Screw Center Nut for 56814.....
1513J	8390	Feed Wheel Frame Shaft Screw Center Nut for 56814.....
1513J	8436	Knife Grinder Emery Wheel Shaft Screw Center Nut for 41325.....
1516J	8426	Knife Grinder Knife Holder Bracket Screw Center Nut for 41325.....
1518E	8390	Feed Connecting Link Hinge Screw Nut..
1518F	8390	" Forked Connection Hinge Screw Nut
1518F	8390	" Lifting Rock Shaft Crank Connecting Rod Hinge Screw Nut.....
1518E	8390	Oscillating Shaft Crank Slide Block Screw Stud Nut for 19447 and 44135
1519J	8387	Feed Bar Screw Center Nut for 56813...
1519J	8387	" Wheel Driver Link Screw Center Nut for 56813.....
1520E	8429	Driving Arm Pitman Crank Adjusting Screw Nut for 16520.....
1520E	8429	Presser Bar Lifter Screw Nut.....
1521E	8435	Lifting Lever Connecting Rod Lock Nut for 16512,19331 and 24161.....
1528J	8396	Feed Wheel Frame Adjusting Screw Nut for 24191.....
1528D	8396	Roller Screw Nut for 1841,1868,1870, 1911,1912,51859,51863 and 51902..

NUMERICAL LIST OF PARTS

No.	Plate	Name
1550J	8431	Bobbin Winder Stop Latch Adjusting Screw Nut for 1651E.....
1550H	8431	Roller Screw Nut for 51401 and 51802...
1560C	8398	Tension Regulating Thumb Nut for 33892 and 44141.....
1562J	8435	Bobbin Winder Tension Regulating Thumb Nut for 27308.....
1579C	8439	Driving Arm Hinge Screw Nut for 16522..
1619E	8387	Crank Connecting Rod Hinge Screw Nut...
1620J	8427	Bobbin Winder Frame Hinge Screw Nut for 27647.....
1766C	8431	Roller Ball Retaining Nut for 51859 and 51863.....
1813	8390	Feed Lifting Rock Shaft Crank (front) Roller and Stud for 12376.....
1841	----	Roller, 7/8 in. diam., fine, with 652D and 1528D, for 16580 and 62722...
1868	----	Roller, 7/8 in. diam., coarse, with 652D and 1528D, for 16579 and 62721...
1870	8430	Roller, 1 1/2 in. diam., coarse, with 386D and 1528D, for 62700.....
1904	2552	Needle Bar Connecting Stud Roller (roller only) for 12384.....
1911	8430	Roller, 1 1/4 in. diam., coarse, with 386D and 1528D, for 16581.....
1912	----	Roller, 1 1/4 in. diam., fine, with 386D and 1528D, for 16582.....
2022	8674	Driving Arm Pitman Crank Pin for 24530.
2022	8674	" Attachment Starting Crank Pin for 24530.....
2049	8396	Feed Lifting Rock Shaft Crank (back) Pin, obsolete, use 3093.....
2049	8396	Oscillating Shaft Crank Pin.....
2049	8396	Shuttle Driver Pin.....
2062	8441	Presser Bar Lifter, obsolete, use 52016.
2102	3471	Bobbin Winder Tension Disc for 225462..
2102	3471	Tension Disc for 44118.....
2106	8435	Bobbin Winder Tension Thread Guide for 27308.....
2167	8427	Needle Clamp with 196F.....
2252	8435	Feed Wheel Friction Plate (front) for 24191.....
2254	8435	Feed Wheel Retaining Clutch for 24191..
2255	8435	" " " " Cap for 24191
2256	8435	" " " " Spring for 24191.....
2258	8432	Feed Wheel, fine teeth, for 24187, 24191 44265 and 44267.....
2263	8432	Feed Wheel Driver with 2266, for 19440.
2265	8435	" " " " Spring for 19440.....
2266	8435	" " " " Hook for 2263.

NUMERICAL LIST OF PARTS

No.	Plate	Name
2269	8436	Bobbin Winder Stop Latch Stop Pin for 16518.....
2270	----	Feed Wheel Frame Steady Spring, obsolete.....
2455	8435	Bobbin Winder Tension Disc for 27308..
2523	8396	Shuttle Bobbin Case Position Finger Rivet for 24074 and 62740.....
2531	8398	Shuttle Race Back for 19269, 24419 and 62753.....
2532	8396	Shuttle Race Back Position Pin for 19269, 62517, 62751 and 62753.....
2533	8396	Shuttle Race Back Spring for 19269, 24419 and 62753.....
2759	8404	Lifting Rod with 2761, for 2760.....
2760	----	" " 2759 with 2762, for 19168.
2761	8404	" " Cap Washer for 2759.....
2762	3404	Driving Attachment Treadle Stop Collar with 362C, for 14237 and 15130...
2762	8404	Lifting Rod Collar with 362C, for 2760
2763	8406	Rock Shaft for 2777, 4880 and 19168....
2765	8406	" " Knee Arm for 2768.....
2766	8406	" " " Hub with 256C, for 2768 and 6336.....
2767	8406	Rock Shaft Knee Plate with 356C, for 2768 and 6336.....
2768	----	Rock Shaft Knee Arm complete for 2777, Nos. 2765 to 2767.....
2769	8404	Rock Shaft Lifting Arm with 356C, for 19168.....
2770	8406	Rock Shaft Stop Dog with 356C, for 2777, 4880 and 19168.....
2777	8406	Rock Shaft 2767 with 2768, 2770, 2778, 6337 and two 12242, for 16512....
2778	8406	Rock Shaft Lifting Bracket Hook for 2777.....
2827	8397	Face Plate Thread Guard (upper) with 2505, obsolete, use 45720.....
2877	8444	Driving Attachment Treadle Pitman Rod (upper) for 15130, obsolete.....
2878	8443	Driving Attachment Treadle Stand for 27642, obsolete.....
2921	8437	Tension Disc for 44147, obsolete.....
2923	8437	" Spring for 44147, obsolete....
2928	8674	Driving Arm Brake (leather) for 16518.
2973	8396	Shuttle Bobbin Case Latch Lever for 15141.....
2974	8396	Shuttle Bobbin Case Latch Lever Fulcrum Pin for 15141.....
2975	8396	Shuttle Bobbin Case Latch Spring for 24074 and 62740.....
2996	8396	Shuttle Bobbin for 19292.....

NUMERICAL LIST OF PARTS

No.	Plate	Name
3033	8390	Feed Connecting Link.....
3039	8389	" Regulator.....
3093	8390	" Lifting Rock Shaft Crank (back) Pin for 16588.....
3094	2552	Thread Take-up Crank Wedge.....
3114	8435	Feed Wheel Friction Plate (back) for 24191.....
4307	8434	Shuttle Race Slide Spring for 12432 and 24193.....
4352	8435	Shuttle Race Slide Spring Rivet for 24193.....
4784	8427	Oscillating Rock Shaft Oil Pad for 24105.....
4822	8438	Wrench for 1521 and 1528 (Accessories)
4879	8404	Chain Connecting Link for 4885.....
4880	8406	Rock Shaft complete for 19331, Nos. 2763, 2770, 7125, 12243, two each 6337 and 12242.....
4881	8406	Treadle for 4885.....
4882	8404	" Shaft for 4885.....
4883	8404	" Spring for 4885.....
4884	8406	" Stand for 4885.....
4885	8406	Treadle complete for 19331, Nos. 4879, 4881 to 4884 and two wood screws 1 in. No. 16.....
5570	8432	Feed Eccentric with 446C, for 19440...
5596	8404	Bell Crank for 56848.....
5598	8404	Bell Crank complete for 16512, 19331 and 24161, Nos. 5735 and 56848...
5599	8404	Bell Crank Bracket for 56848.....
5601	8404	" Hinge Pin for 56848.....
5670	----	Chain, length 26 in. to 35 in. with 56864 and 56865, for 19331.....
5709	8434	Shuttle Race Cap for 24996 and 62750..
5735	8404	Bell Crank Spring for 5598.....
5960	8439	Bobbin Winder Friction Wheel (leather) for 16515.....
5961	8439	Bobbin Winder Friction Wheel Washer for 16515.....
5963	8439	Bobbin Winder Spindle Flange for 16515
6055	8399	Driving Attachment Treadle Pitman Rod (lower) Spring Washer for 14233 and 15130.....
6055	8399	Machine Hinge Bolt Nut Washer for 44131 (Accessories).....

NUMERICAL LIST OF PARTS

No.	Plate	Name
7125	8406	Rock Shaft Lifting Bracket Hook for 4880 and 5670.....
7336	8429	Thread Take-up Spring Regulator for 44118 and 44147.....
7553	8396	Shuttle Bobbin Case Position Finger for 24074 and 62740.....
7958	8674	Driving Attachment Balance Wheel (friction) Ring Stop Pin for 16592.....
8418	8399	Belt Guard Button for 8420.....
8419	8399	" " Washer (leather) for 8420.....
8420	----	Belt Guard Button 8418 with 8419 and wood screw 1 1/4 in. No. 9 R.H.B. for 41931.....
8505	8387	Face Plate Thread Guard (upper) Rivet for 2827, obsolete.....
8511	8437	Thread Take-up Spring for 44147, obsolete.....
8582	8387	Arm Dowel Pin.....
8879	8427	" Spool Pin Washer (cloth).....
8908	8438	Wrench for 1519, 1520 and 1620 (Accessories).....
8909	8438	Wrench for 1513, 1518 and 51581 (Accessories).....
9079	----	Driving Attachment Treadle Pitman Rod Clamp with 354C, obsolete, use 80223.....
9082	8437	Driving Attachment Treadle Bearing Cotter Pin for 27842, obsolete...
9261	8399	Bed Frame Hinge Connection Pin for 24108.....
10141	8435	Bobbin Winder Tension Spring for 27308
10236	8674	Driving Friction Pulley Center Bearing for 16594.....
11104	----	Arm Shaft Bushing (front) for 62803...
11119	8387	" Oil Tube 15763 with 52045, for oiling 12408.....
11167	8433	Presser Bar Spring (light) .051 wire..
11170	8429	" " Washer.....
11204	8434	Thread Take-up Lever Link Hinge Pin...
11241	8388	Arm Spool Pin Washer (cloth) obsolete, use 8879.....
11241	8388	Bobbin Winder Spool Washer (cloth) for
		Face Plate Thread Guard (lower) 44151 with 12152, for 12367.....

No.	Plate	Name
12152	8387	Face Plate Thread Guard (lower) Rivet for 12150.....
12166	8398	Thread Take-up Lever Hinge Pin for 12410.....
12170	8439	Bobbin Winder Spring for 18522.....
12178	8674	Driving Arm Friction Plug (wood) for 18522.....
12189	8441	Driving Attachment Starting Crank for 24530.....
12193	8386	Arm Side Cover.....
12197	8389	Feed Cam and Feed Lifting Eccentric with 446C.....
12240	8404	Lifting Lever Pin for 16512,19331 and 24161.....
12241	8404	Lifting Lever Link for 16512,19331 and 24161.....
12242	8404	Rock Shaft Hanger with two wood screws 1 in. No. 10, for 2777, 4880 and 19168.....
12243	8406	Rock Shaft Lifting Bracket Hook for 4880 and 5598.....
12326	9429	Presser Bar Guide Bracket with 453C...
12327	8429	" " Lifting and Releasing Lever Bracket.....
12329	8396	Tension Releasing Lever Spring.....
12357	8366	Arm Shaft Flanged Bushing (back).....
12361	8399	Machine Hinge Connection for 44140 and 44180 (Accessories).....
12366	----	Face Plate for 12367.....
12367	8369	Face Plate complete, Nos. 12150, 12366 and 45720.....
12368	8389	Feed Bar.....
12376	8390	" Lifting Rock Shaft Crank (front) with 157J and 1813, for 16589.....
12382	2552	Needle Bar Connecting Link with 794E, for 43997.....
12383	----	Needle Bar Connecting Stud for 12384..
12384	2552	Needle Bar Connecting Stud complete for 43997, Nos. 453C,1904 and 12383.....
12388	8389	Oscillating Rock Shaft Hinge Pin for 24105.....
12393	8396	Shuttle Body for 19292.....
12393	8398	Tension Releasing Lever Hinge Pin.....
12403	8398	Arm Spool Pin and Thread Eyelet.....
12404	2552	Thread Take-up Crank.....
12405	3399	Machine Rest (felt) Accessories.....
12408	2552	Thread Take-up Lever for 12410.....
12409	2552	" " " Link for 12410...
12410	----	Thread Take-up Lever complete, Nos. 12166,12408 and 12409.....

No.	Plate	Name
12415	8404	Lifting Lever Connecting Rod for 16512 19331 and 24161.....
12416	8404	Lifting Lever Connecting Rod Joint for 16512,19331 and 24161.....
12424	8429	Oscillating Shaft Crank Slide Block Cap Screw Washer for 19449.....
12429	8432	Feed Forked Connection for 44-15 Machine.....
12431	8434	Shuttle Race Slide for 12432.....
12432	----	Shuttle Race Slide complete, for 44-14 Machine, Nos. 4307, 12431 and two 72SE.....
12448	8433	Needle Bar (hollow).....
12453	8387	Arm Oil Tube for oiling intermediate bearing.....
12454	8387	Arm Oil Tube with 132590, for oiling 12409.....
12459	8427	Oscillating Rock Shaft Hinge Pin Oil Hole Stop Screw Washer (leather)..
12480	8388	Arm Side Cap.....
14081	8442	Driving Attachment Treadle Pitman Rod (upper) for 14233.....
14233	8442	Driving Attachment Treadle Pitman complete, for 14234 and 126213, Nos. 2762,6055,14081,27637,80223 and 150208.....
14234	----	Driving Attachment Treadle and Pitman complete, Nos. 14233 and 27642, obsolete, use 126213.....
15022	----	Feed Wheel, coarse teeth, for 24187, 24191, 44265 and 44267.....
15072	8427	Bobbin Winder Bobbin Position Pin for 15077 and 27533.....
15077	8439	Bobbin Winder Spindle with 15072, for 16515.....
15093	8437	Shuttle Tension Spring for 24074, obsolete.....
15130	8444	Driving Attachment Treadle Pitman complete for 15131, Nos. 2762, 2877, 6055,27637,27638 and 80223, obsolete.....
15131	----	Driving Attachment Treadle and Pitman complete, Nos. 15130 and 27642, obsolete, use 126213.....
15132	9674	Driving Arm Brake Rivet for 16513.....
15140	8396	Shuttle Bobbin Case Latch for 15141...
16141	8396	" " " Hinge, Nos. 2973, 2974 and 15140, for 24074 and 62740
15278	8396	Shuttle Tension Spring for 62740.....
15404	----	Trade Mark for 62603.....
15405	8398	" " Rivet for 62603.....

No.	Plate	Name
15783	8387	Arm Oil Tube for 11119.....
16232	8431	Roller Ball for 51959 and 51863.....
16503	----	Bed.....
16504	8444	Feed Lifting Rock Shaft for 18588.....
16508	8444	" Rock Shaft for 24378.....
16510	8404	Lifting Lever with 448C, for 18512, 19331 and 24161.....
16511	8388	Arm Shaft.....
16512	----	Knee Lifter complete (power table) Nos. 76D, 766D, 802D, 1521E, 2777, 5598, 12240, 12241, 12415, 12416, 16510 and two 178E.....
16514	8439	Bobbin Winder Frame for 16515.....
16515	8439	Bobbin Winder Frame complete for 16522, Nos. 333D, 5960, 5961, 5963, 15077 and 16514.....
16516	8439	Bobbin Winder Stop Latch with 152F and 1550J, for 16522.....
16518	8442	Driving Arm with 2269, 2928 and two 15132, for 16522.....
16519	8442	Driving Arm Pitman for 16531.....
16520	8439	" " " Crank with 803C and 1520E, for 24530.....
16521	8439	Driving Arm Pitman Crank Spring for 24530.....
16522	----	Driving Arm complete for 16531, Nos. 32D, 75D, 180F, 427E, 693D, 1508C, 1579C, 12170, 12178, 16515, 16516, 16519, 16530 and 27303.....
16524	----	Driving Attachment Balance Wheel (fric- tion) Ring (leather) for 16592....
16525	8441	Driving Attachment Starting Crank Shaft for 24530.....
16528	8442	Driving Attachment Drip Pan with four 1 in. wire nails, for 44-14 Machine.
16530	8439	Driving Attachment Bracket for 16522...
16531	----	Driving Attachment with Bobbin Winder and Treadle complete, Nos. 210D, 692D, 16519, 16522, 16592, 16594, 24355 24530, 27072, 27308, 126213, two 65D and three 130D.....
16558	8390	Feed Lifting Rock Shaft Crank (back) with 462C, for 16588.....
16572	8438	Roller Arm for 16579 and 18580, obsolete
16573	8430	" " " 16581, 16582 and 62700..
16579	----	Roller Presser complete, 7/8 in. coarse roller, Nos. 1868 and 16572, obs- o-lete, use 62721.....
16580	----	Roller Presser complete, 7/8 in. fine roller, Nos. 1841 and 16572, obs- o-lete, use 62722.....

No.	Plate	Name
16581	----	Roller Presser complete, 1 1/4 in. coarse roller, Nos. 1911 and 18573
16582	8431	Roller Presser complete, 1 1/4 in. fine roller, Nos. 1912 and 16573.....
16588	----	Feed Lifting Rock Shaft complete, Nos. 3093, 12376, 16504 and 16558.....
16592	8442	Driving Attachment Balance Wheel (friction) with 7958, 18524 and two 435C, for 16531.....
16594	8441	Driving Friction Pulley, 2 5/16 in. diam. with 861D and 10236, for 16531.....
19168	----	Rock Shaft complete for 24161, Nos. 2760, 2763, 2769, 6336, two each 2770 and 12242.....
19221	8438	Wrench for 936, 1516 and 1619 (Acces- sories).....
19266	8432	Feed Wheel Driver Link for 19440.....
19268	8444	" " " Frame Shaft for 19440.....
19269	8434	Shuttle Race complete for 44-15 Ma- chine, Nos. 907D, 2531, 2533, 24996 and two 2532, obsolete, use 62753.
19270	----	Shuttle Race Body for 24996, obsolete.
19292	8427	" 1 11/16 in. diam., Nos. 2996, 12393 and 62740.....
19331	----	Foot Lifter complete, Nos. 76D, 766D, 802D, 1521E, 4380, 4385, 5598, 5670, 12240, 12241, 12415, 12416, 16510 and two 178E.....
19440	----	Wheel Feed complete for 44-15 Machine, Nos. 324D, 2263, 2285, 5570, 19266, 19268, 24191, 24193 and 44267.....
19441	8433	Presser Bar (hollow) for 19464.....
19442	8431	Roller Arm Bracket for 19464.....
19443	8431	" " " Position Collar with 456C, for 19464.....
19444	8431	Roller Arm Bracket Spring for 24445...
19445	8431	" " " " Pin for 24445
19446	8431	" " " " Stud for 24445
19447	8429	Oscillating Shaft Crank complete, Nos. 457C, 1518E, 19449 and 19496.....
19448	8429	Oscillating Shaft Crank Slide Block for 19449.....
19449	----	Oscillating Shaft Crank Slide Block complete for 19447 and 44135, Nos. 226D, 988C, 12424 and 19448.....
19464	----	Presser Bar complete, Nos. 190D, 19441 to 19443 and 24445.....
19496	----	Oscillating Shaft Crank for 19447.....
20023	8433	Presser Bar Spring (heavy) .063 wire..
20037	8437	Tension Releaser for 44147, obsolete..

No.	Plate	Name
20188	8389	Needle Bar Crank with 858C and 1065C..
20197	8388	Crank Connecting Rod with two 396E....
23258	8674	Driving Attachment Treadle Bracket (left) Hook Friction Washer for 126206.....
24074	8437	Shuttle Bobbin Case complete, Nos. 591F, 592E, 2523, 2975, 7553, 15098 and 15141, obsolete, use 62740.....
24075	8433	Oil Cup Extension Post for 44005.....
24079	8407	Drip Pan for 44-14 Machine.....
24080	8444	" " with four 1 in. wire nails, for 44-15 Machine.....
*24104	8389	Oscillating Rock Shaft for 24105.....
24105	----	Oscillating Rock Shaft complete for 139602, Nos. 4784, 12388 and 24104
24106	8399	Bed Frame Cushion (felt) for 24109....
24107	8399	" " Hinge Connection for 24108..
24108	2643	Machine Base Bed Frame with 970D, two each 9261, 24107, four each 159E, 24106 and six wood screws 1 1/4 in. No. 12.....
24131	8387	Arm Oil Tube with 52045, for oiling 12197.....
24161	----	Knee Lifter complete (bench stand) Nos. 76D, 766D, 802D, 1521E, 5599, 12240, 12241, 12415, 12416, 16510, 19168 and two 178E.....
24162	2016	Feed Dog, 10 teeth (16 teeth to the inch) for 24183, 44264, 44266, 56832 62537 and 62846.....
24164	8428	Knife with 62738 and two 44289 (corner bent up) for under trimming, for 24165.....
24165	----	Knife with Guide (corner bent up) and Holder (sectional) complete, for under trimming, for 44264, 44265, 56832 and 62582, Nos. 24164, 24174 and two 602F.....
24166	8428	Knife, for edge trimming, for 24167, 24183, 24187, 44266 and 44267.....
24167	----	Knife and Holder (sectional) complete, for edge trimming, Nos. 24166, 24174 and two 602F.....
24168	8441	Knife Driving Lever for 24169, obsolete
24169	----	Knife Driving Lever complete for 56332 62537 and 62582, Nos. 104D, 24168, 24172 and 24173, obsolete, use 44263
24170	8428	Knife Driving Lever Center Plate for 44264, 44265, 56932, 62537, 62582 and 62846.....
24171	8428	Knife Driving Lever Center Plate Cap for 44264, 44265, 56832, 62537, 62582 and 62846.....

No.	Plate	Name
24172	8433	Knife Driving Lever Fork for 24169 and 44263.....
24173	8433	Knife Driving Lever Fork Swivel for 24169 and 44263.....
24174	8433	Knife Holder for 24165, 24167, 24587, 24608 and 24608.....
24175	8428	Knife Holder Bushing for 44264, 44265, 56832, 62537, 62582 and 62846.....
24176	8428	Knife Holder Position Spring for 44264 44265, 56932, 62537, 62582 and 62846
24177	8428	Knife Holder Position Stud for 65065..
24178	8444	Oscillating Shaft.....
24179	8434	Shuttle Driver.....
24180	8434	Throat Plate Body for 44264, 44265, 56832, 62537, 62582 and 62846.....
24183	2016	Throat Plate with Trimming Attachment complete, for 44-14 Machine, Nos. 24166, 24168 and 56932, obsolete, use 44266.....
24184	----	Throat Plate Needle Hole Strip, large oblong needle hole, for 44265 and 62582.....
24185	8434	Throat Plate Needle Hole Strip, medium oblong needle hole, for 44265 and 62582.....
24186	----	Throat Plate Needle Hole Strip, small oblong needle hole, for 44265 and 62582.....
24187	----	Throat Plate with Trimming Attachment complete, for 2038 or 15022, for 44-15 Machine, Nos. 24166 and 62582, obsolete, use 44267.....
24188	----	Knife Holder Regulator, Nos. 836C and 1098C, for 44264, 44265, 56932, 62537, 62582 and 62846.....
24190	8432	Feed Wheel Frame with 457C, for 24191.
24191	----	Feed Wheel Frame complete for 19440, Nos. 151C, 123C, 183F, 240D, 2252, 2254 to 2256, 2259, 7114, 24190, two each 119C and 152RJ.....
24192	8434	Shuttle Race Slide for 24193.....
24193	----	Shuttle Race Slide complete for 19440, for 44-15 Machine, Nos. 4397, 24192 and two 4352.....
24296	8388	Balance Wheel (power) light rim, 2 3/16 in. pulley, with two 448C.....
24297	8388	Balance Wheel Oil Cover.....
24334	8433	Knife Driving Lever Shield for 44264, 44265, 56932, 62537, 62582 and 62846
24336	2016	Throat Plate Needle Hole Strip, large oblong needle hole, for 44264, 56832, 62537 and 62846.....

No.	Plate	Name
24337	----	Throat Plate Needle Hole Strip, small oblong needle hole, for 44264, 56832, 62537 and 62846.....
24338	2643	Driving Attachment Drip Pan with four 1 in. wire nails, for 44-15 Machine.....
24355	8439	Driving Attachment Balance Wheel Oil Cover for 16531.....
24376	----	Feed Rock Shaft complete, Nos. 16506 and 29633.....
24412	8396	Shuttle Bobbin Case Position Plate for 24419 and 62752.....
24413	----	Shuttle Race Body for 62502.....
24418	8396	" Cap for 62502.....
24419	8434	Shuttle Race complete for 44-14 Machine, Nos. 907D, 2531, 2533, 24412, 62517 and two 391J.....
24430	2016	Feed Dog, 8 teeth (12 teeth to the inch) for 44264, 56832, 62537 and 62846.....
24445	----	Roller Arm Bracket Spring Stud complete for 19464, Nos. 987E and 19444 to 19446.....
24528	8439	Driving Arm Pitman Crank Spring Adjusting Collar with three 448C, for 24529.....
24529	8441	Driving Attachment Starting Crank Shaft Bracket with 24528, for 24530.....
24530	----	Driving Attachment Starting Crank Shaft Bracket complete for 16531, Nos. 12189, 16520, 16521, 16525, 24529 and two 2022.....
24586	8428	Knife without Guide (corner bent up) for under trimming, for 24587....
24587	----	Knife without Guide (corner bent up) and Holder (sectional) complete, for under trimming, for 62537 and 62846, Nos. 24174, 24586 and two 602F.....
24605	8428	Knife with Guide and two 44289 (corner flush on top) for under trimming, for 24606.....
24606	----	Knife with Guide (corner flush with top) and Holder (sectional) complete, for under trimming, Nos. 24174, 24605 and two 602F.....
24607	8428	Knife without Guide (corner flush with top) for under trimming, for 24608

No.	Plate	Name
24608	----	Knife without Guide (corner flush with top) and Holder (sectional) complete, for under trimming, Nos. 24174, 24607 and two 602F.....
24903	8430	Roller Arm for 24904 and 24905.....
24904	8431	Roller Presser complete, 9/16 in. coarse roller, Nos. 24903 and 51601.....
24905	----	Roller Presser complete, 9/16 in. fine roller, Nos. 24903 and 51802.....
24908	8407	Drip Pan with two wood screws 1/2 in. No. 5 R.H.B., for 24108.....
24996	----	Shuttle Race Body 19270 with 5709 and two 662D, for 19269, obsolete....
26026	8438	Screw Driver (machine) Accessories....
26485	8438	" " (shuttle tension) Accessories.....
27072	8447	Driving Attachment Shaft Driving Pulley (sectional grooved) 12 in. diam., 1 3/16 in. bore, with two 597C, for 16531.....
27302	8440	Bobbin Winder Frame for 27647.....
27303	8427	" " " Spring for 27647....
27308	8427	" " Stop Latch Spring for 16522.....
27308	8440	Bobbin Winder Spool Pin for 27308.....
27307	8440	" " " Stand for 27308....
27308	8440	Bobbin Winder Spool Stand complete for 16531 and 27544, Nos. 418F, 1662J, 2106, 10141, 11241, 27306, 27307, two each 2455 and wood screws 1 in. No. 10.....
27312	8440	Bobbin Winder Stop Latch for 27647.....
27538	8440	" " Spindle 27849 with 15072, 27850 and 41828, for 27647.....
27540	8440	Bobbin Winder Base for 27647.....
27541	8440	" " Pulley for 27647.....
27544	----	Bobbin Winder (swinging automatic, right hand) complete for 2996, for stand Nos. 27308 and 27647.....
27564	8442	Knife Grinder Frame with 27574, for 41325.....
27565	8440	Knife Grinder Emery Wheel 2 in. diam., for 60934.....
27567	8440	Knife Grinder Emery Wheel Shaft for 60934.....
27568	8436	Knife Grinder Emery Wheel Shaft Oil Hole Cover (rubber) for 41325.....
27569	8440	Knife Grinder Emery Wheel Shaft Pulley for 60934.....
27573	8436	Knife Grinder Knife Holder Bracket Spring for 41325.....

No.	Plate	Name
27574	8436	Knife Grinder Knife Holder Bracket Spring Hook for 27564 and 41323...
27638	----	Driving Attachment Treadle for 27642, obsolete.....
27637	8442	Driving Attachment Treadle Pitman Rod (lower) for 14233 and 15130.....
27638	8434	Driving Attachment Treadle Pitman Rod (lower) Spring for 15130, obsolete.
27642	----	Driving Attachment Treadle complete for 14234 and 15131, Nos. 2878, 9082, 27636 and four wood screws 1 in. No. 16, obsolete.....
27647	----	Bobbin Winder, Nos. 35D, 1620J, 27302, 27307, 27312, 27538, 27540, 27541, 50356D and two wood screws 1 in. No. 7, for 27544.....
27662	8438	Knife Grinder Wrench for 1508, 1516 and 41325.....
27739	8405	Thread Unwinder Thread Cone (wood) for large cones, for 225260.....
27822	8429	Knife Grinder Emery Wheel Clamping Nut Washer for 60934.....
•27849	----	Bobbin Winder Spindle for 27538.....
•27850	----	" " Collar for 27538.
28084	8437	Machine Rest Pin, obsolete.....
29549	8434	Tension Releasing Lever, obsolete, use 43944.....
29599	----	Arm Oil Tube Packing (felt) obsolete, use 52045.....
29633	8390	Feed Rock Shaft Crank with 157J, for 24376.....
32572	8398	Tension Releasing Disc for 44118.....
32574	8398	" " Pin for 44118.....
33892	----	" Screw Stud 413C with 1560C, for 44147, obsolete.....
36578	----	Oiler (copper plated) with 36579, obsolete, use 120342.....
36579	----	Oiler Spout, 3 1/2 in. long, with 120117 for 36578, obsolete.....
41322	2835	Knife Grinder Knife Holder with 1127J, for 41325.....
41323	2835	Knife Grinder Knife Holder Bracket with 183K, 27574 and 41324, for 41325...
41324	2835	Knife Grinder Knife Holder Hinge Stud for 41323.....
41325	----	Knife Grinder complete for 24164, 24166, 24586, 24605 and 24607, Nos. 261J, 27564, 27573, 27662, 41322, 41323, 60934, two 27568, three wood screws 1 in. No. 10 and four each 310K and 1516J.....

No.	Plate	Name
41400	8438	Machine Rest Pin Wood 3 1/8 in. long (Accessories).....
41828	8427	Bobbin Winder Spindle Collar Pin for 27538.....
41929	8444	Belt Guard for 41931.....
41930	8399	" " Hinge for 41931.....
41931	----	Belt Guard complete, Nos. 8420, 41929, two 41930 and four wood screws 3/4 in. No. 9.....
43944	8398	Tension Releasing Lever.....
43945	8398	" Spring for 44118.....
43946	2552	Thread Take-up Spring for 44118.....
43976	8389	Feed Lifting Rock Shaft Crank Connecting Rod with two 966E.....
43997	----	Needle Bar Connecting Link 12382 with 12384.....
44004	8441	Oil Cup for 44007, obsolete.....
44005	----	" " Extension 44214 with 24075, for 44007 and 44223.....
44006	8433	Oil Cup Packing (felt) for 44007 and 44225.....
44007	8441	Oil Cup complete, Nos. 44004 to 44006, obsolete, use 44225.....
44118	----	Tension complete, Nos. 7336, 32572, 32574 43945, 43946, 44141 and two 2102....
44134	----	Oscillating Shaft Crank for 44135.....
44135	8429	Oscillating Shaft Crank complete, Nos. 1518E, 19449, 44134 and two 453C....
44139	8399	Machine Hinge Plate for 44140 and 44180 (Accessories).....
44140	----	Machine Hinge complete, Nos. 12361, 44139 and wood screws 1 1/4 in. No. 14 (Accessories).....
44141	----	Tension Screw Stud 50327C with 1560C, for 44118.....
44147	----	Tension complete, Nos. 2923, 7336, 8511, 20037, 33892 and two 2921, obsolete, use 44118.....
44180	----	Machine Hinge complete, Nos. 6055, 12361 44139 and 51075E (Accessories)....
44181	----	Face Plate Thread Guard (lower) for 12150.....
44214	8433	Oil Cup Extension for 44005.....
44216	----	Needle Bar Thread Guard, obsolete, use 44245.....
44222	8433	Oil Cup for 44223.....
44223	----	" " 44222 with 44005, for 44225....
44224	8433	" " Thread Retainer for 44225.....
44225	8433	Oil Cup complete, Nos. 44006, 44223 and 44224.....
44245	8427	Needle Bar Thread Guard.....

No.	Plate	Name
44262	8433	Knife Driving Lever for 44263.....
44263	----	" " 44262 with 104D,217D 24172,24173 and 65065, for 44264, 44265 and 62846.....
44264	----	Throat Plate with Trimming Attachment complete, for 24162,24430 and 44266, Nos. 1097K,24165,24170,24175 24176,24180,24188,24334,24336 or 24337,44263,50998K,two each 242J, 756J,24171 and six 934J.....
44265	----	Throat Plate with Trimming Attachment complete for 2258 or 15022 and 44267, Nos.1097K,24165,24170,24175 24176,24180,either 24184,24185 or 24186,24188,24334,44263,50998K,two each 242J,756J,24171 and six 934J.
44266	----	Throat Plate with Trimming Attachment complete, for 44-14 Machine, Nos. 24162,24166 and 44264.....
44267	----	Throat Plate with Trimming Attachment complete for 2258 or 15022 and 19440, Nos. 24166 and 44265.....
44289	8428	Knife Guide Rivet for 24164 and 24805..
45720	----	Face Plate Thread Guard (upper) with 125373, for 12367.....
46681	8441	Driving Attachment Treadle Bracket (right) for 60502.....
50327C	8398	Tension Screw Stud for 44141.....
50356D	8427	Bobbin Winder Frame Hinge Screw for 27647.....
50429C	8437	Thread Retainer Set Screw, obsolete,use 624C.....
50553C	8430	Roller Screw for 51859 and 51863.....
50998K	8428	Knife Holder Screw for 44264,44265, 56832,62537,62582 and 62846.....
51075E	8399	Machine Hinge Bolt with 51581E, for 44180 (Accessories).....
51224D	8387	Arm Side Cover Thumb Screw.....
51224D	8387	Face Plate Thumb Screw.....
51581E	8427	Machine Hinge Bolt Nut for 51075E (Ac- cessories).....
51801	8430	Roller, 9/16 in. diam.,coarse with 388D and 1550H, for 24904.....
51802	----	Roller, 9/16 in..diam.,fine with 388D and 1550H, for 24905.....
51858	----	Roller, 7/8 in. diam.,coarse, for 51859 obsolete.....
51859	8436	Roller, 7/8 in. diam.,9/64 in. face, coarse (ball bearing) Nos. 1528D, 1766C,50553C,51858 and twenty-four 16232,for 62748, obsolete.....

No.	Plate	Name
51863	8430	Roller, 1 1/4 in. diam.,7/32 in. face, coarse (ball bearing) complete for 62748, Nos. 1528D,1766C,50553C and twenty-four 16232.....
51902	8430	Roller, 7/8 in. diam.,9/64 in. face, coarse (ball bearing) complete for 62868, Nos. 1528D,201699D,350104D and twenty-eight 206417.....
52016	8433	Presser Bar Lifter.....
52045	8387	Arm Oil Tube Packing (cotton) for 11119 and 24131.....
52454	8398	Thread Retainer.....
56813	----	Feed Bar Screw Center 313C with 1519J..
56813	----	" Wheel Driver Link Screw Center 313C with 1519J, for 44-15 Machine
56814	----	Feed Lifting Rock Shaft Screw Center 307C with 1513J.....
56814	----	Feed Rock Shaft Screw Center 307C with 1513J.....
56814	----	Feed Wheel Frame Shaft Screw Center 307C with 1513J, for 44-15 Machine
56832	----	Throat Plate with Trimming Attachment, Nos.1097K,24165,24169,24170,24175, 24176,24180,24183,24334,24336 or 24337,50998K,two each 242J,756J, 24171 and six 934J,for 24162,24183 and 24430, obsolete.....
56848	----	Bell Crank 5596 with 5599 and 5601, for 5598.....
56864	8404	Chain Hook (large) for 5670.....
56865	8404	" " (small) for 5670.....
60502	----	Driving Attachment Treadle Bracket (right) 46681 with two wood screws 1 in. No. 14, for 126209.....
60934	----	Knife Grinder Emery Wheel Shaft 27567 with 1508J,27565,27569 and 27822, for 41325.....
62502	----	Shuttle Race Body 24413 with 24418 and two 1053D, for 62517.....
62517	----	Shuttle Race Body 62502 with two 2532, for 24419.....
62537	----	Throat Plate with Trimming Attachment, Nos.1097K,24169,24170,24175,24176, 24180,24188,24334,24336 or 24337, 24537,50998K,two each 242J,756J, 24171 and six 934J, for 24162,ob- solete, use 62846 and 24430, for 44-14 Machine.....

No.	Plate	Name
62582	----	Throat Plate with Trimming Attachment, Nos. 1097K, 24165, 24169, 24170, 24175, 24176, 24190, either 24184, 24195 or 24186, 24198, 24334, 50998K, two each 242J, 756J, 24171 and six 934J for 2258 or 15022 and 24137, obsolete
*62603	----	Arm with 11104, 15404 and two 15405....
62677	8430	Roller Arm for 62721 and 62722.....
62700	8431	Roller Presser complete, 1 1/2 in. coarse roller, Nos. 1870 and 16573
62721	8431	Roller Presser complete, 7/8 in. coarse roller, Nos. 1868 and 62677.....
62722	----	Roller Presser complete, 7/8 in. fine roller, Nos. 1841 and 62677.....
*62739	----	Shuttle Bobbin Case for 62740.....
62740	8396	Shuttle Bobbin Case complete for 19292 Nos. 591F, 592E, 2523, 2975, 7553, 15141, 15278 and 62739.....
62746	----	Roller Presser (ball bearing) complete 7/8 in. coarse roller, Nos. 51359 and 62762, obsolete, use 62868...
62747	8430	Roller Arm for 62748.....
62748	----	Roller Presser (ball bearing) complete 1 1/4 in. coarse roller, Nos. 51363 and 62747.....
62749	----	Shuttle Race Body for 62750.....
62750	----	" " " 62749 with 5709 and two 662D, for 62751 and 62752....
62751	----	Shuttle Race Body 62750 with two 2532, for 44-15 Machine.....
62752	----	Shuttle Race Body 62750 with 24412 and two 391J, for 62753.....
62753	8434	Shuttle Race complete, for 44-15 Machine, Nos. 307D, 2531, 2533, 62752 and two 2532.....
62762	8436	Roller Arm for 62746, obsolete.....
62774	8428	Knife without Guide (corner bent up) slotted, for under trimming.....
*62788	----	Knife Guide for 24164.....
62848	----	Throat Plate with Trimming Attachment complete, for 24162 and 24430, for 44-14 Machine, Nos. 1097K, 24170, 24175, 24176, 24130, 24138, 24334, 24336 or 24337, 24587, 44263, 50998K two each 242J, 756J, 24171 and six 934J.....
62857	----	Roller Arm for 62868.....
62868	----	Roller Presser (ball bearing) complete 7/8 in. coarse roller, Nos. 51302 and 62857.....

No.	Plate	Name
85085	8428	Knife Driving Lever Adjusting Block with 24177, for 44263.....
80223	8442	Driving Attachment Treadle Pitman Rod Clamp with 361C, for 14233 and 15130.....
120117	8441	Oiler Spout Washer (leather) for 36579 obsolete.....
120342	8438	Oiler (copper plated) with 120343 (Accessories).....
120343	8438	Oiler Spout, 3 1/2 in. long, for 120342 (Accessories).....
125373	----	Face Plate Thread Guard (upper) Rivet for 45720.....
126036	8443	Driving Attachment Treadle for 126209.
126205	8441	" " " " Bracket (left) for 126206.....
126206	----	Driving Attachment Treadle Bracket (left) complete for 126209, Nos. 23258, 126205, 126207, 126208 and two wood screws 1 in. No. 14....
126207	8441	Driving Attachment Treadle Bracket (left) Hook for 126206.....
126208	8674	Driving Attachment Treadle Bracket (left) Hook Rivet for 126206....
126209	----	Driving Attachment Treadle complete for 126213, Nos. 60502, 126036 and 126206.....
126213	----	Driving Attachment Treadle Pitman complete for 16531, Nos. 14233 and 126209.....
132590	8387	Arm Oil Tube Packing (wick) for 12454.
139802	----	Oscillating Rock Shaft 24195 with 908C
150203	8405	Thread Unwinder Spool Rest Cushion (felt) for 225260.....
150208	8440	Driving Attachment Treadle Pitman Rod (lower) Spring for 14233.....
200056E	3471	Bobbin Winder Stop Latch Screw for 225382.....
200082D	3471	Bobbin Winder Tension Bracket Screw for 225382.....
200299H	3471	Bobbin Winder Stop Latch Trip Lever Hinge Screw for 225382.....
200300C	3471	Bobbin Winder Pulley Set Screw for 202473.....
200383C	8435	Thread Unwinder Spool Rest Rod Set Screw for 202490.....
201018C	8435	Thread Unwinder Spool Rest Set Screw for 225259.....
201499B	3471	Bobbin Winder Tension Stud for 225461.
201572B	3471	" " " " Thumb Nut for 225462.....

NUMERICAL LIST OF PARTS

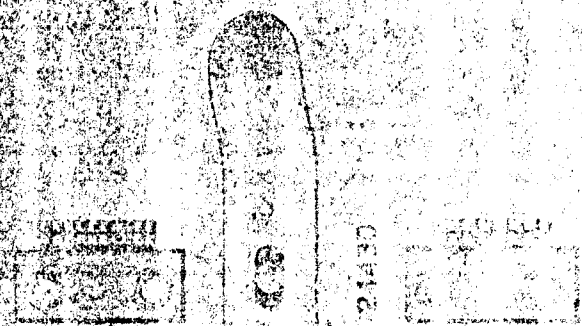
No.	Plate	Name
201696J	8435	Thread Unwinder Thread Guide Lock Nut for 225260.....
201699D	8431	Roller Ball Retaining Nut for 51902...
202277	3471	Bobbin Winder Frame Oil Packing (wick) for 225453.....
202407	3471	Bobbin Winder Tension Spring for 225462.....
202473	8408	Bobbin Winder Pulley with 200380C, for 225382.....
202478	3471	Bobbin Winder Stop Latch Trip Lever for 225382.....
202490	8405	Thread Unwinder Spool Stand with 200383C, for 225260.....
206417	8431	Roller Ball for 51902.....
225259	8405	Thread Unwinder Spool Rest with 201018C, for 225260.....
225260	8405	Thread Unwinder complete, Nos. 150203, 201696J, 202490, 225259, 225324, 225326, 225388, 225391 and three wood screws 7/8 in. No. 12.....
225322	8435	Thread Unwinder Thread Guide Rod Washer for 225324.....
225324	8405	Thread Unwinder Thread Guide Rod with 208E and 225322, for 225260.....
225326	8435	Thread Unwinder Thread Guide Position Cup for 225260.....
225381	8440	Bobbin Winder Spindle for 225382.....
225382	8408	Bobbin Winder (swinging automatic, right hand) complete for 2996, for power table, Nos. 200056E, 200082D, 200299H, 202473, 202478, 225381, 225433, 225444, 225453 to 225456, 225458, 225462, 228026, two each 225459 and wood screws 3/4 in. No. 12 R.H.B.....
225388	8405	Thread Unwinder Spool Rest Rod for 225260.....
225390	8405	Thread Unwinder Thread Cone Holder for inverted cones, for 225260.....
225391	8405	Thread Unwinder Thread Guide for 225260.....
225433	8406	Bobbin Winder and Tension Bracket Base for 225382.....
225438	3471	Bobbin Winder Frame Oil Well Cap for 225453.....
225444	3471	Bobbin Winder Stop Latch for 225382...
225453	8440	" " Frame with 202277 and 225438, for 225382.....
225454	3471	Bobbin Winder Frame Hinge Pin for 225382.....

NUMERICAL LIST OF PARTS

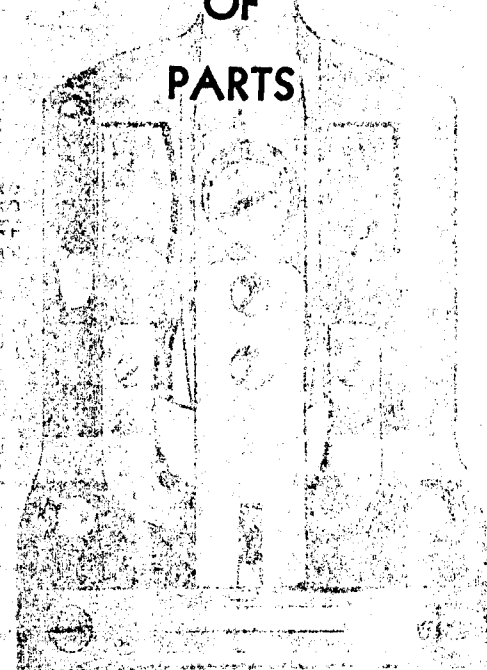
No.	Plate	Name
225455	3471	Bobbin Winder Frame Spring for 225382.
225456	3471	" " " " Plunger for 225382.....
225458	3471	Bobbin Winder Stop Latch Thumb Lever for 225382.....
225459	3471	Bobbin Winder Stop Latch Thumb Lever Hinge Stud for 225382.....
225459	3471	Bobbin Winder Stop Latch Thumb Lever Joint Stud for 225382.....
225461	3471	Bobbin Winder Tension Bracket with 201499B, for 225462.....
225462	----	Bobbin Winder Tension Bracket complete for 225382, Nos. 201572B, 202407, 225461 and two 2102.....
228026	8427	Bobbin Winder Tension Bracket Screw Washer for 225382.....
350104D	8430	Roller Screw for 51902.....

SINGER Needles should be used
in SINGER Machines.
These Needles and their Containers
are marked with the
Company's Trade Mark "SIMANCO.***" 1

Needles in Containers marked
"FOR SINGER MACHINES"
are NOT **SINGER** made needles. 2



ILLUSTRATIONS
OF
PARTS



SINGER Needles should be used
in SINGER Machines.
These Needles and their Containers
are marked with the
Company's Trade-Mark "SIMANCO. **" 1

Needles in Containers marked
"FOR SINGER MACHINES"
are NOT **SINGER** made needles. 2

20300

PLATE 2552—FULL SIZE

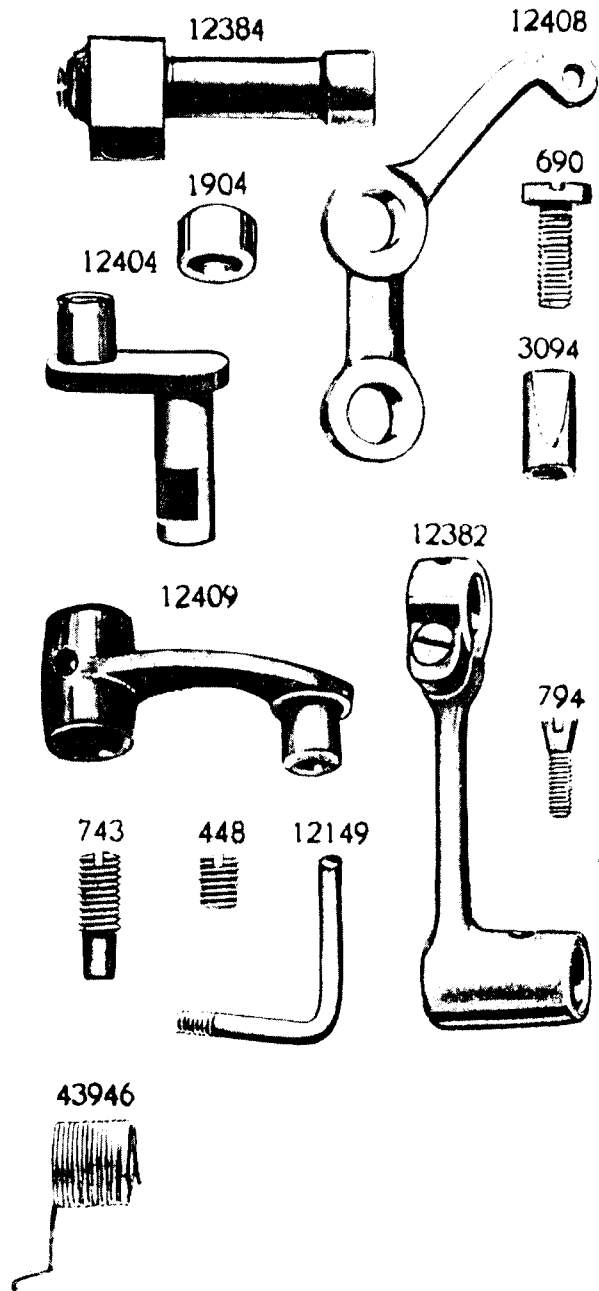


PLATE 2643—ONE-FOURTH SIZE

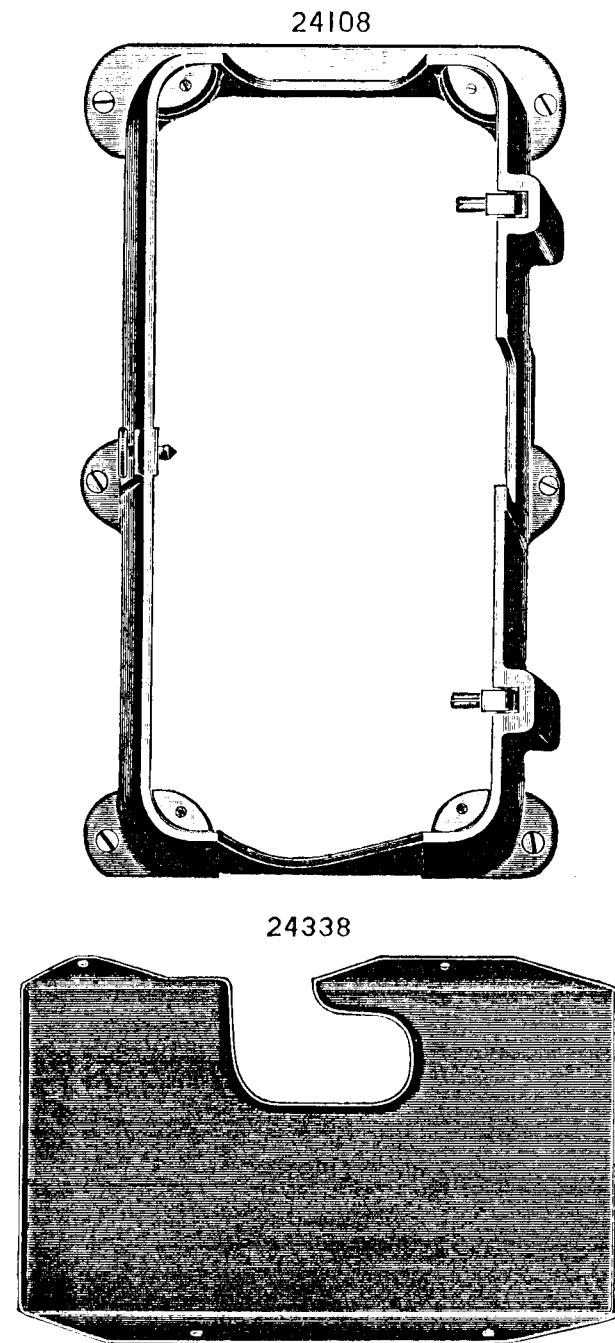


PLATE 2835—FULL SIZE

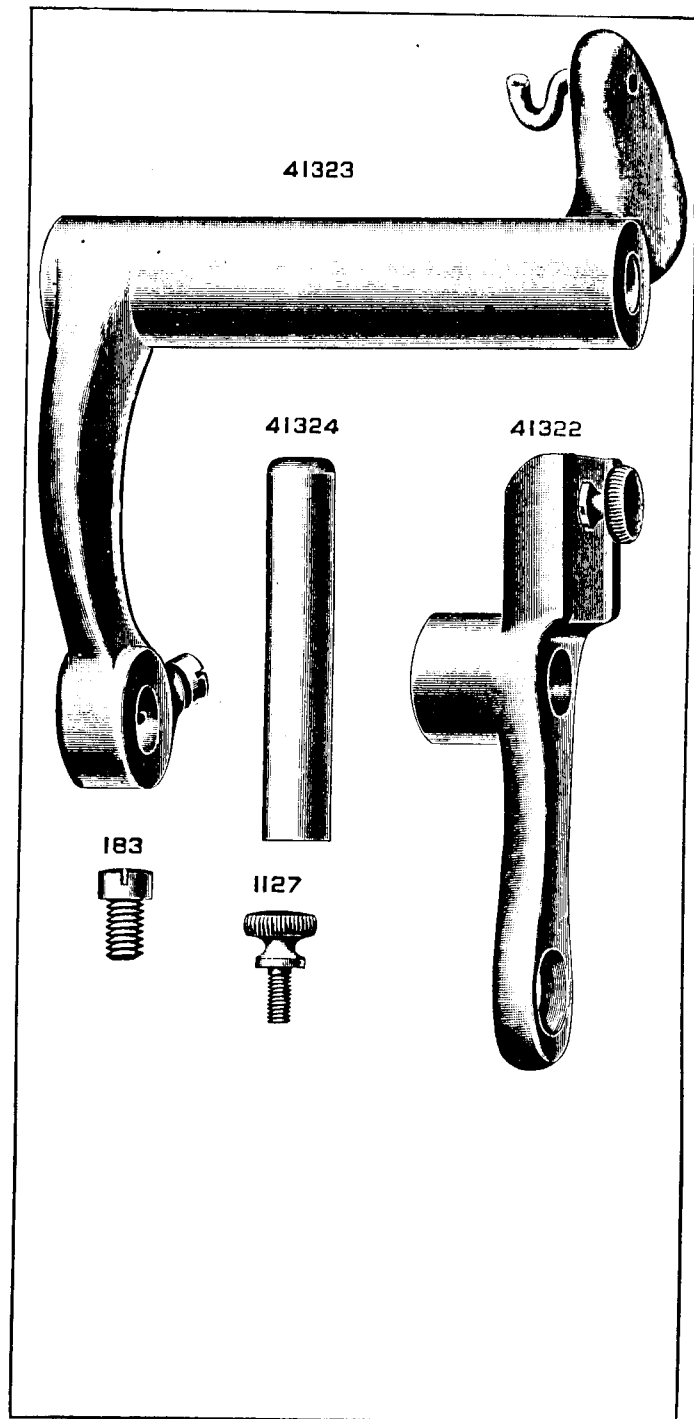


PLATE 3471—FULL SIZE

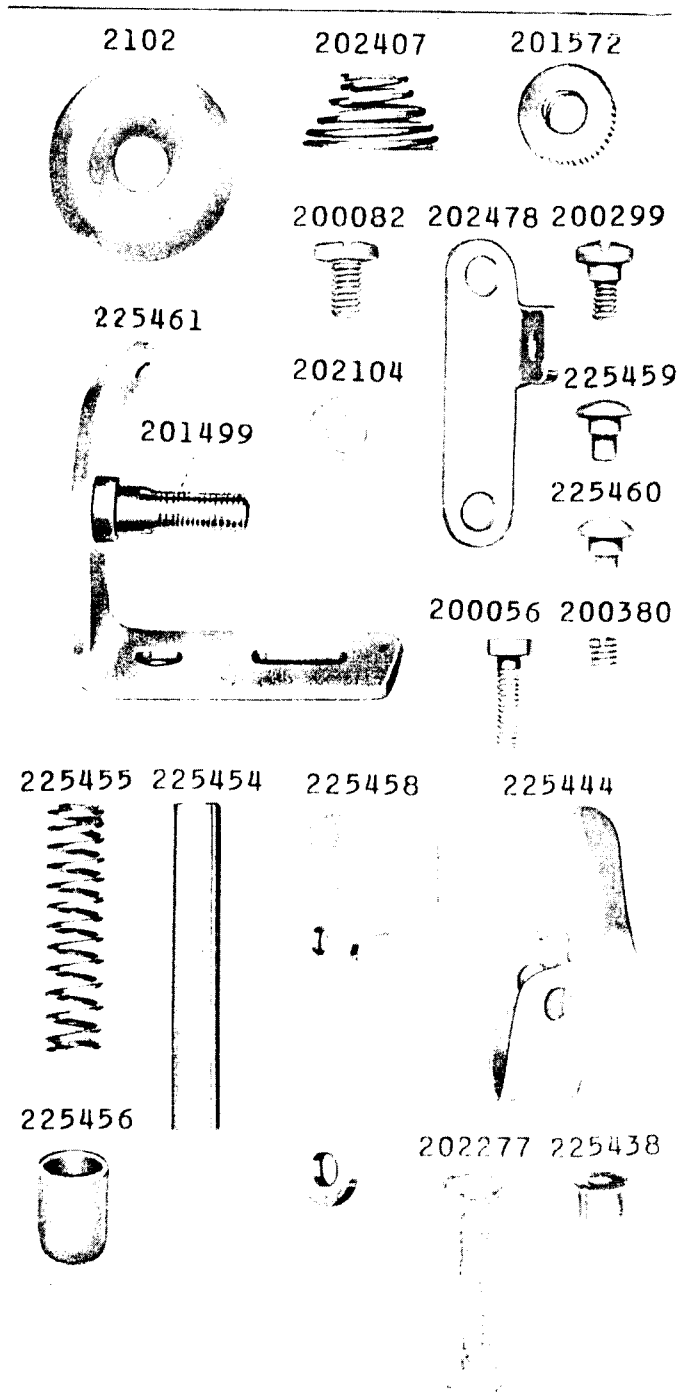


PLATE 8387—FULL SIZE

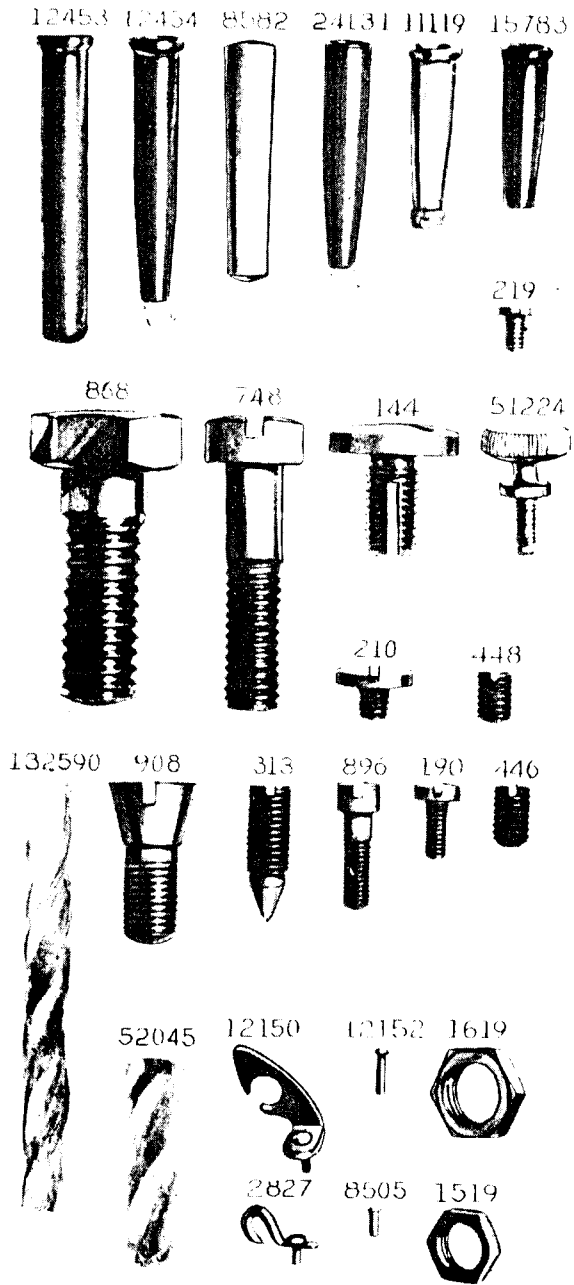


PLATE 8388—ONE-HALF SIZE

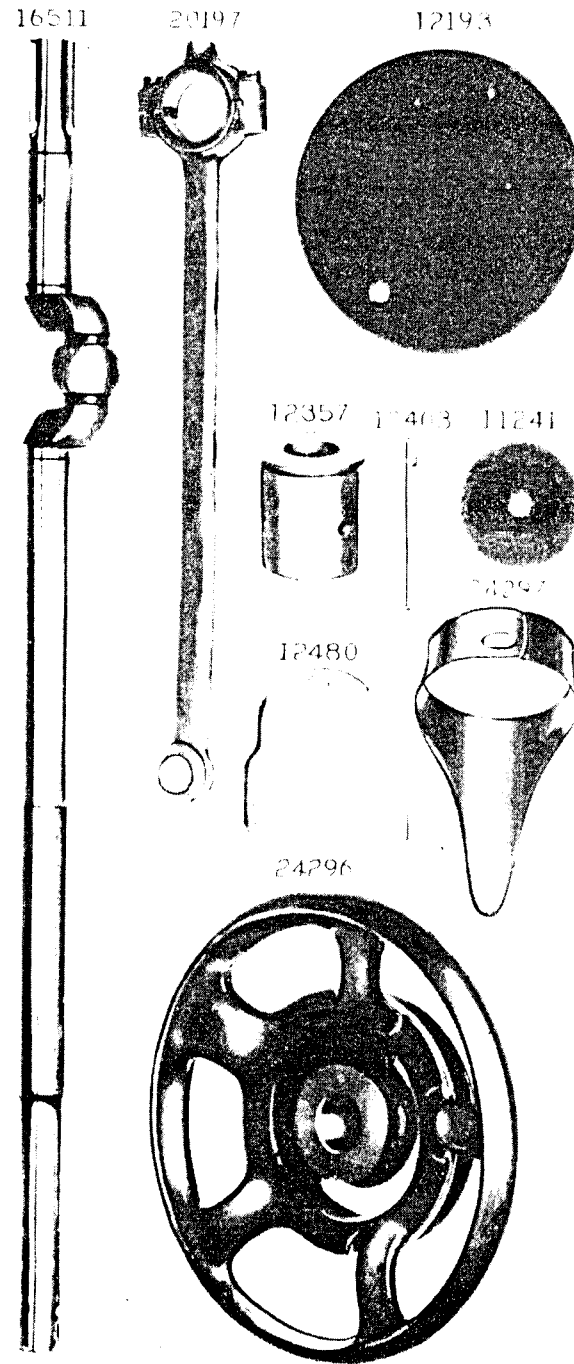


PLATE 8389—ONE-HALF SIZE

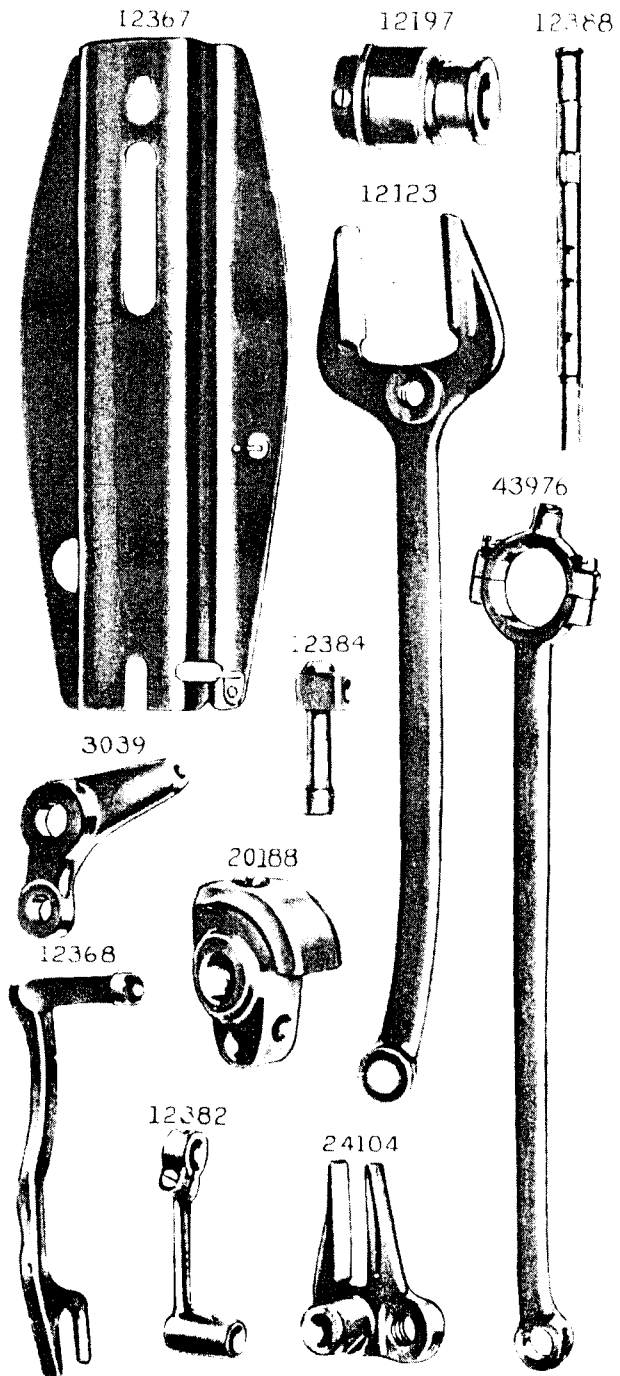


PLATE 8390—FULL SIZE

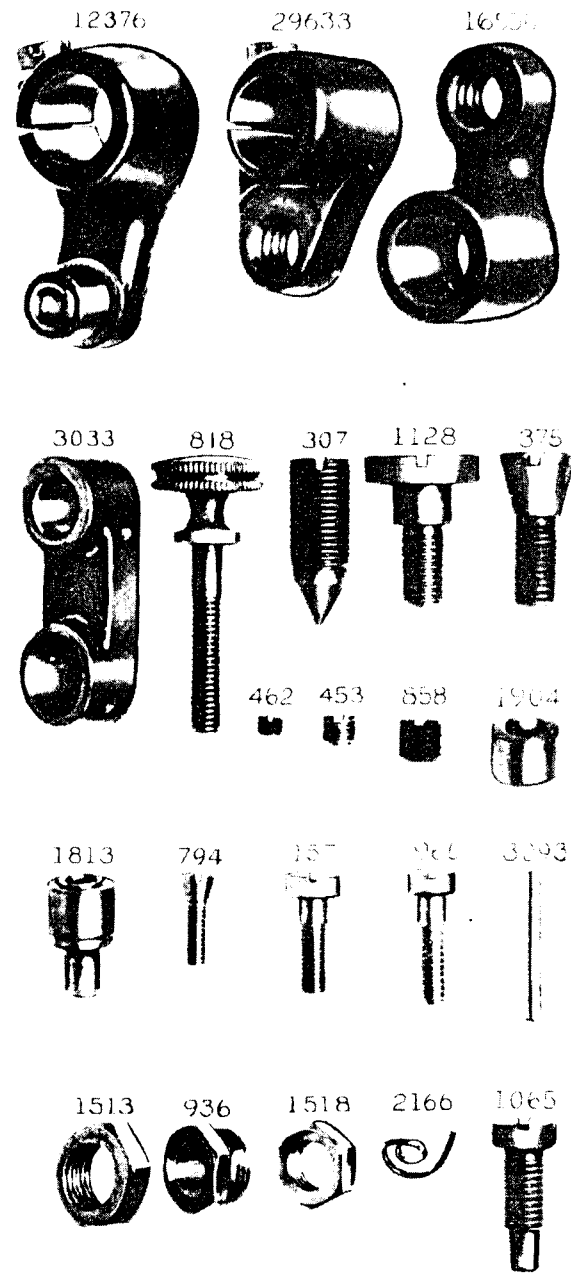


PLATE 8396—FULL SIZE

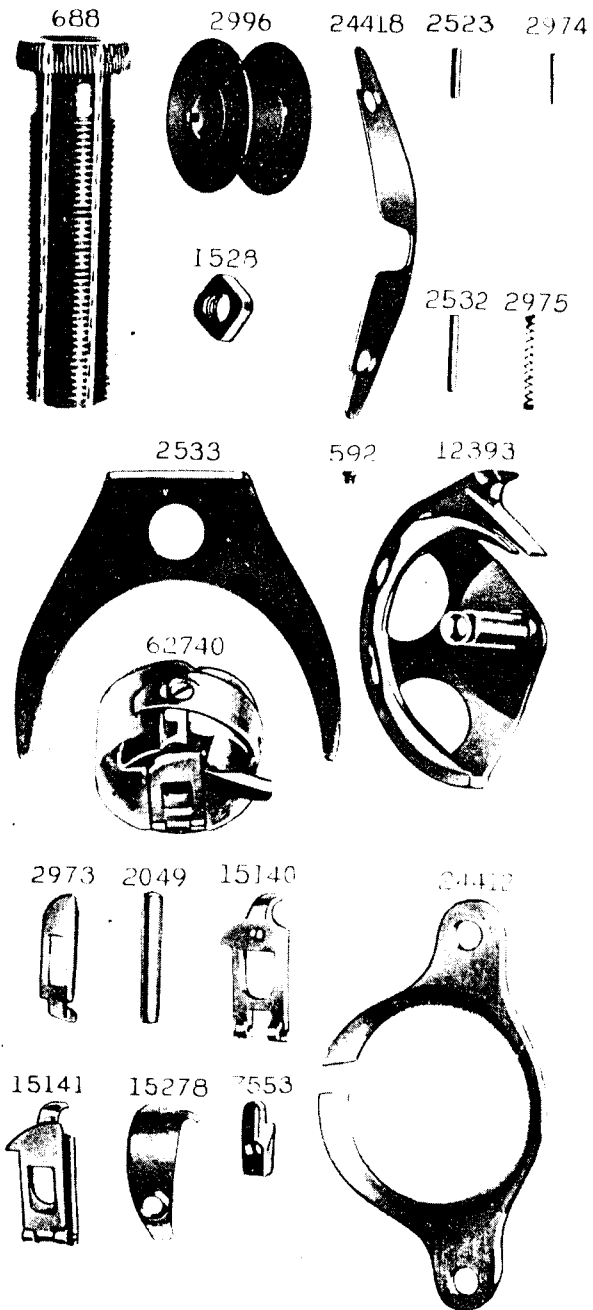


PLATE 8398—FULL SIZE

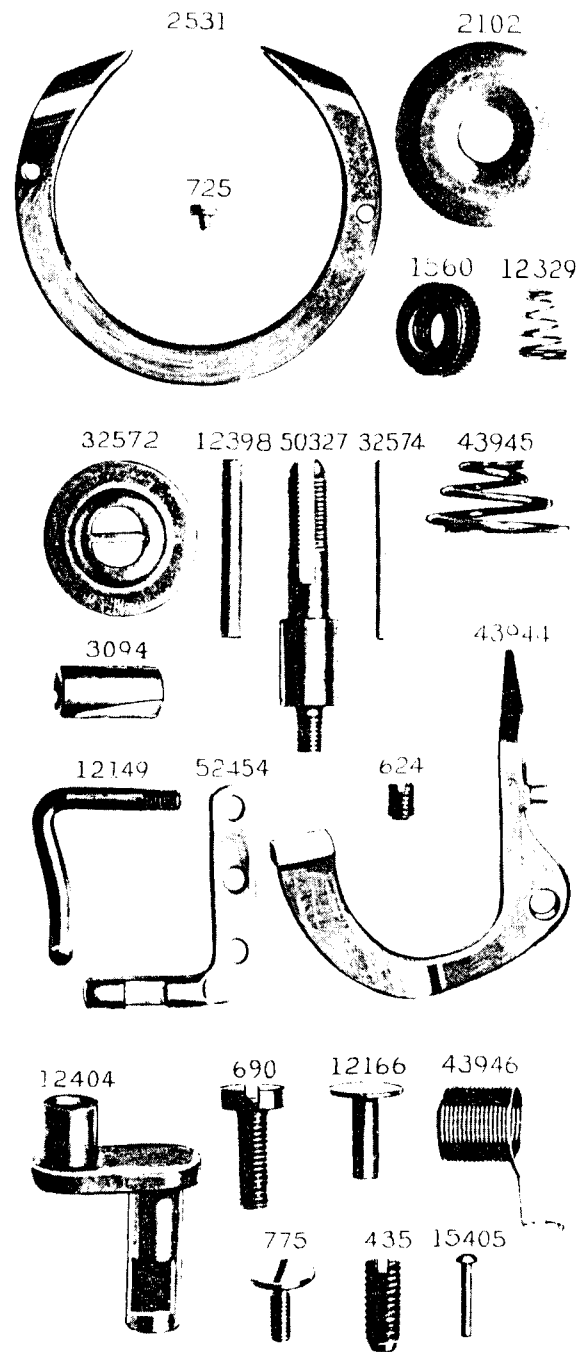


PLATE 8399—FULL SIZE

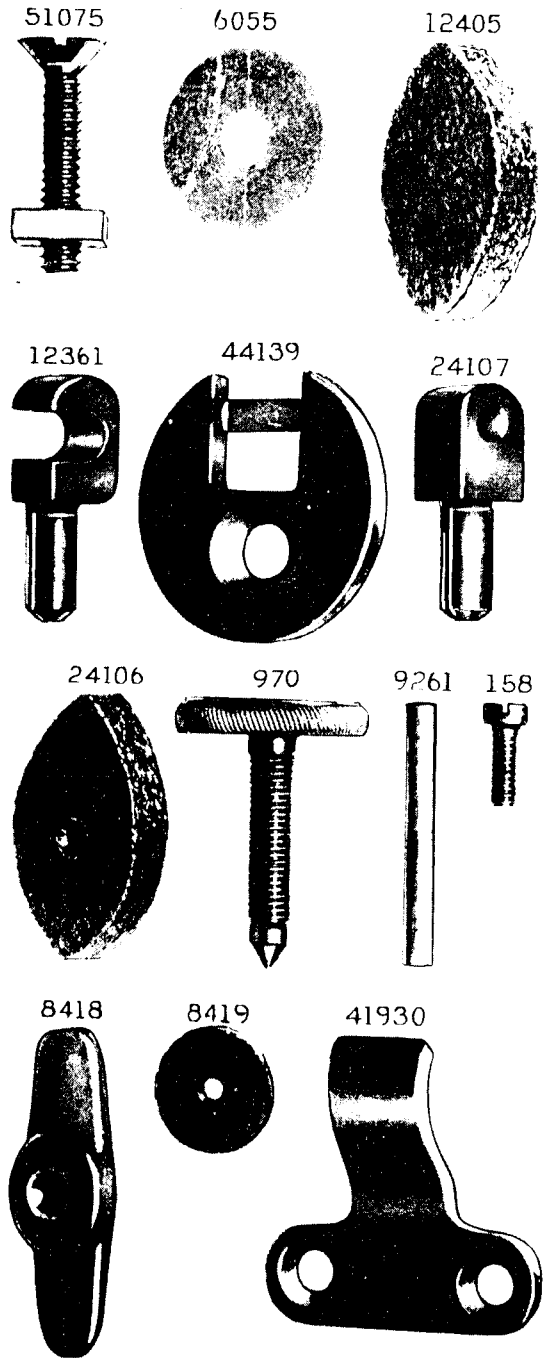


PLATE 8404 ONE-HALF SIZE

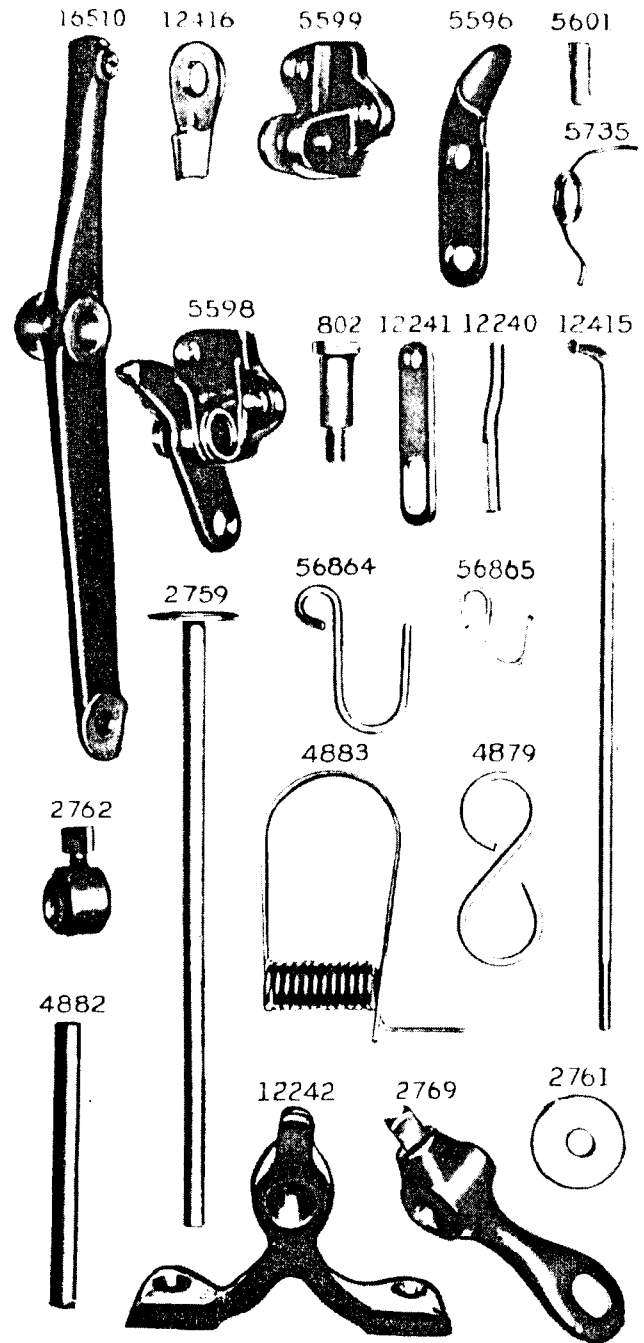


PLATE 8405—ONE-FOURTH SIZE

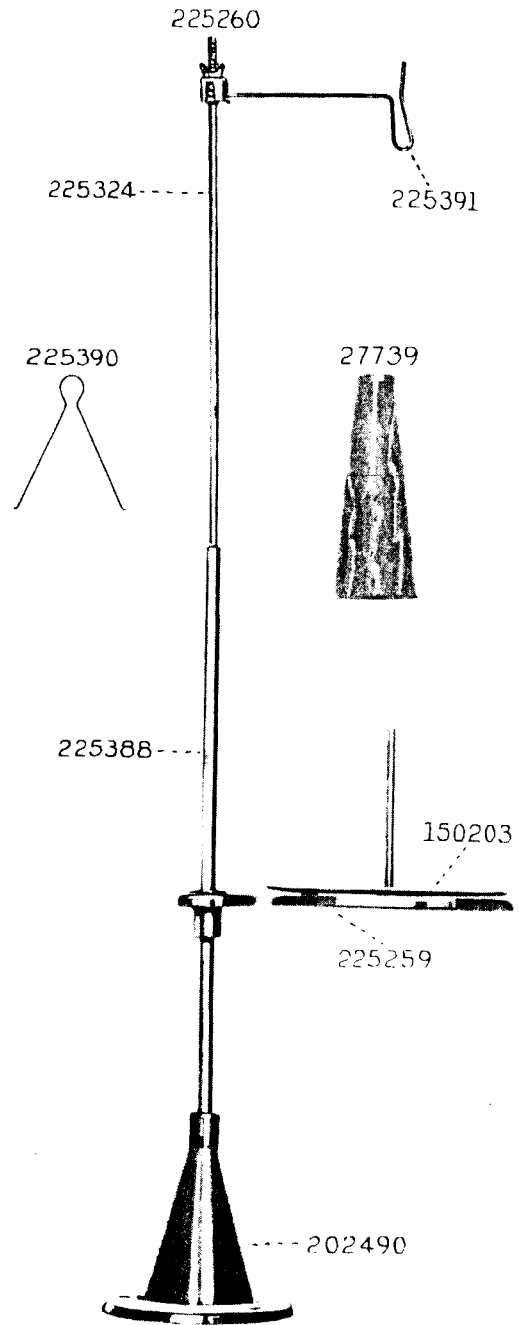


PLATE 8406—ONE-FOURTH SIZE

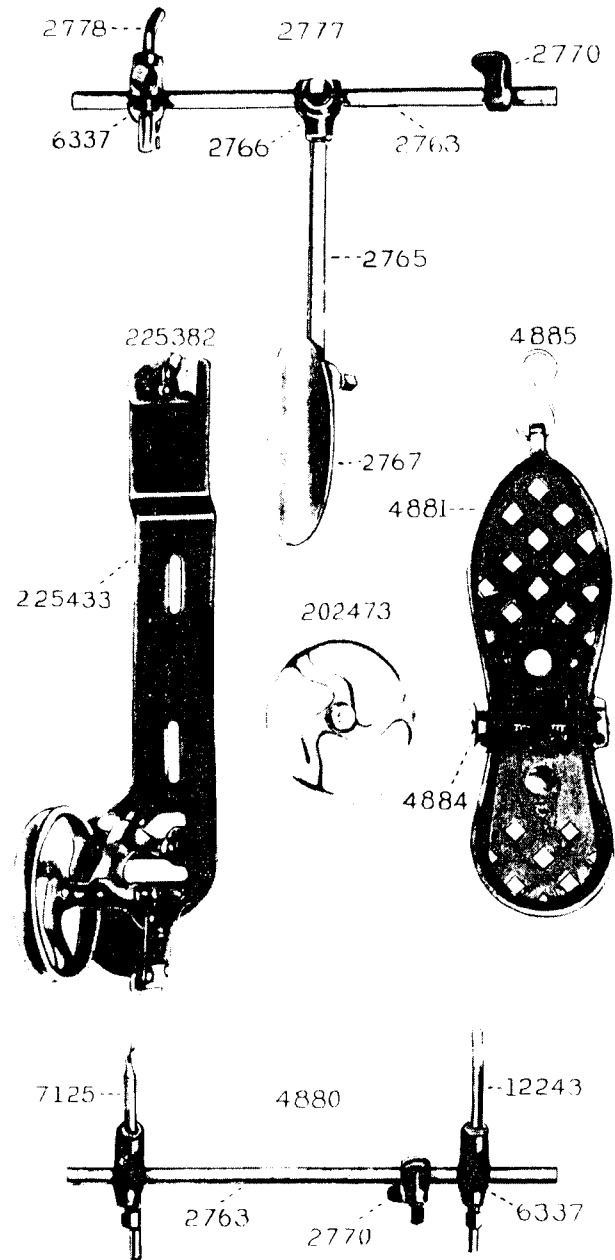
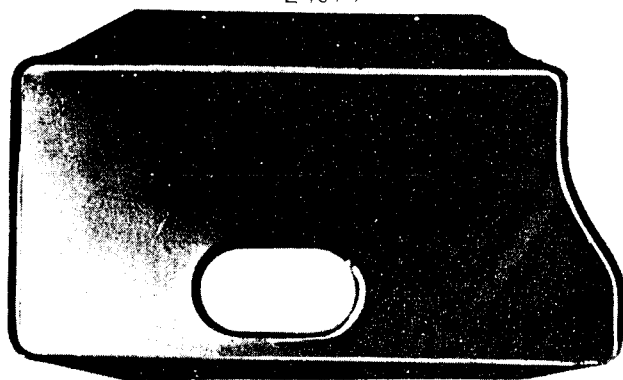


PLATE 8407—ONE-FOURTH SIZE

24079



24908

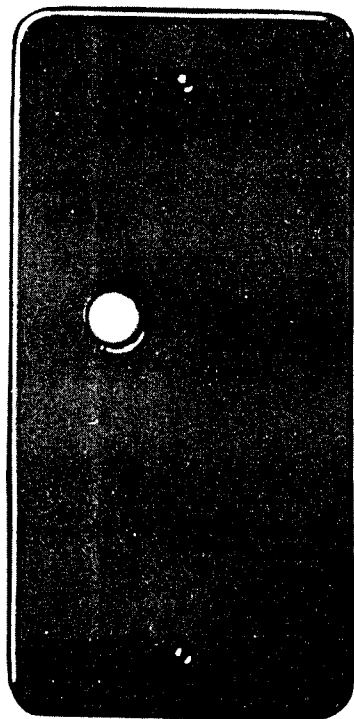
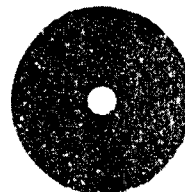


PLATE 8427-FULL SIZE

8879



208



44245



233



2167



196



878



12459



4784



391



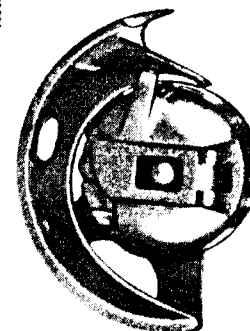
907



145



19292



591



1053



51581



228026 15072 1620



27303



41828



35



50356



PLATE 8428-FULL SIZE

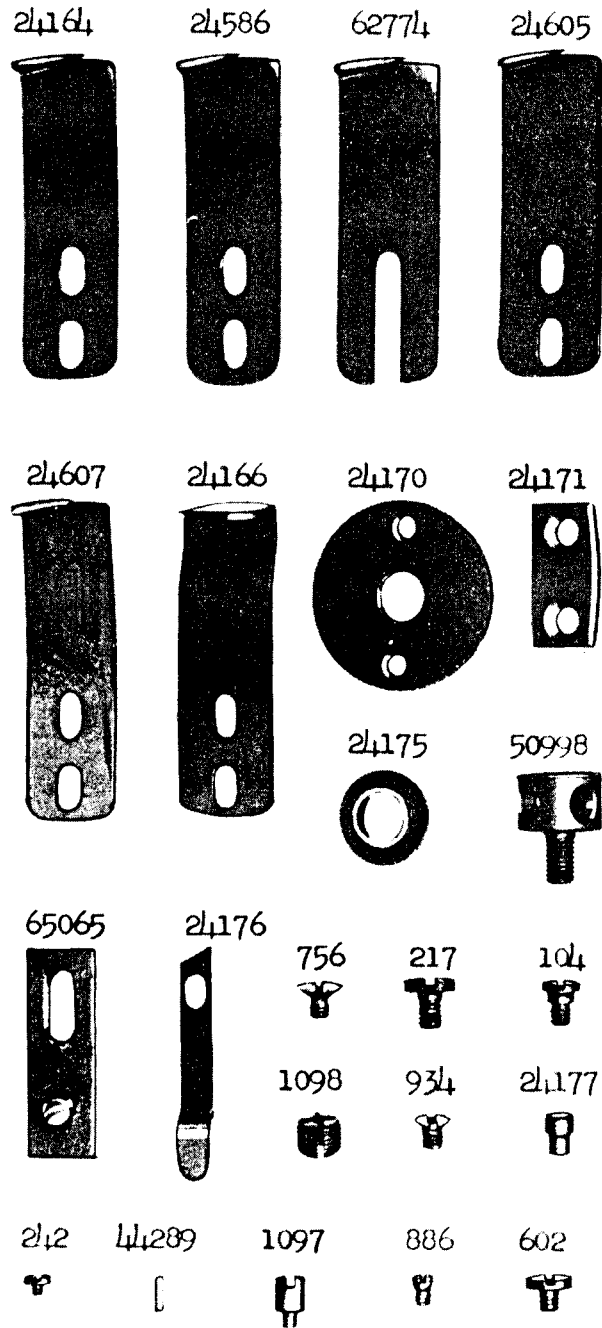


PLATE 8429-FULL SIZE

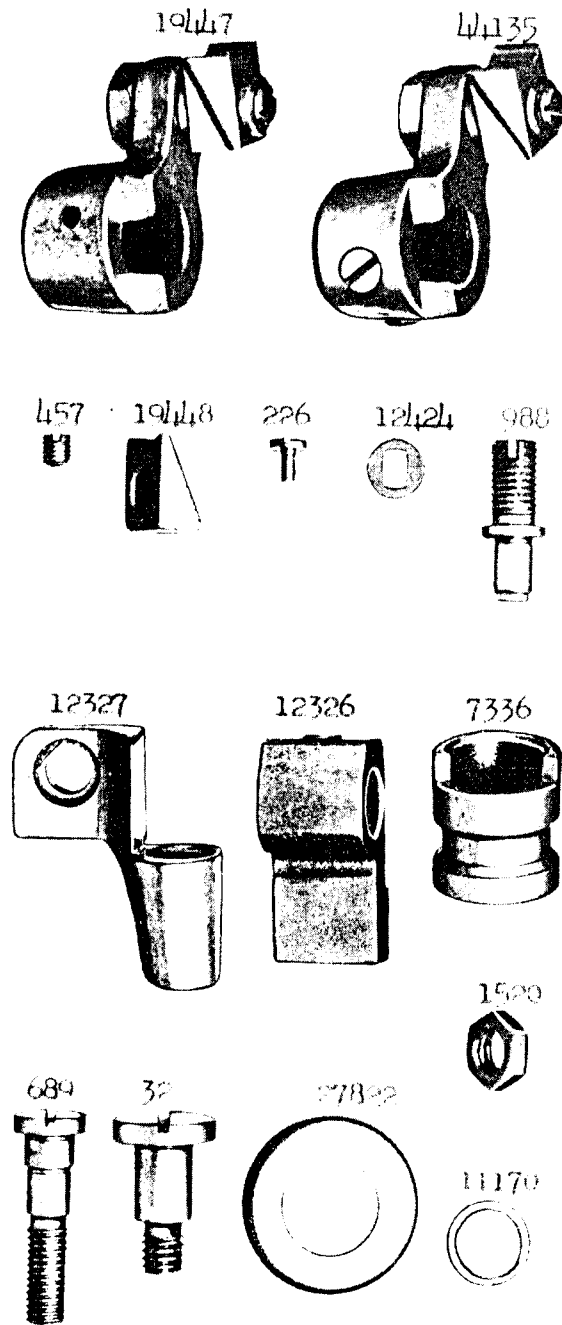


PLATE 8430-FULL SIZE

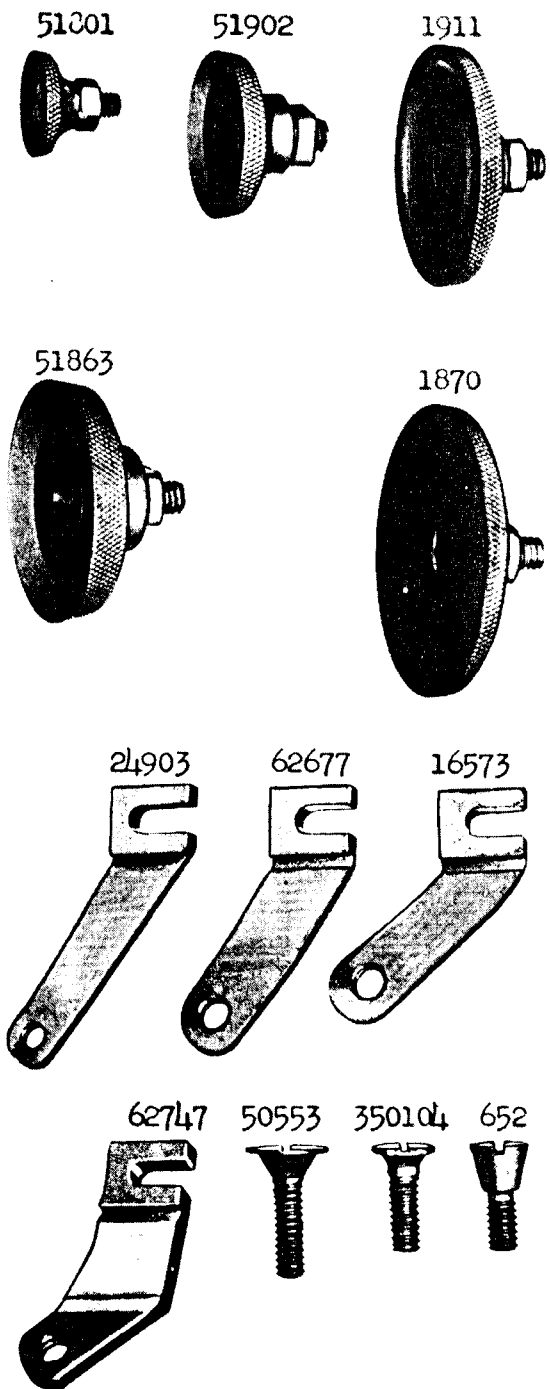


PLATE 8431-FULL SIZE

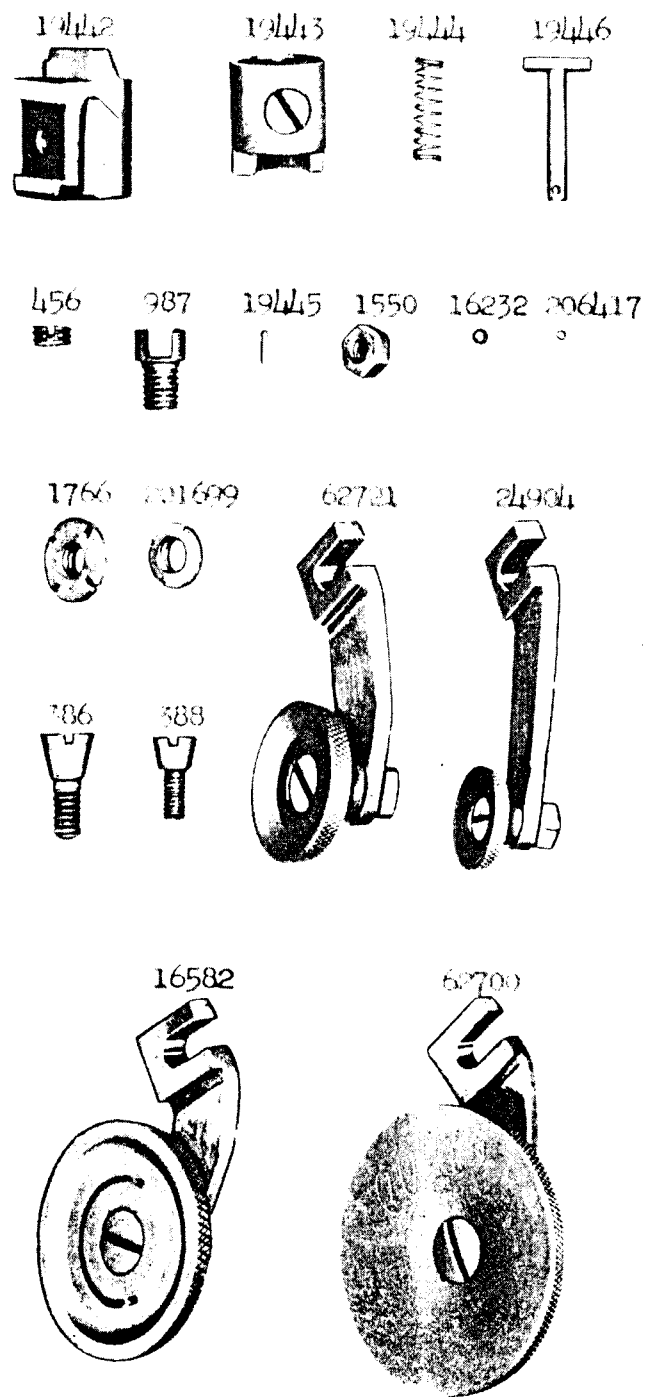


PLATE 8432-ONE-HALF SIZE

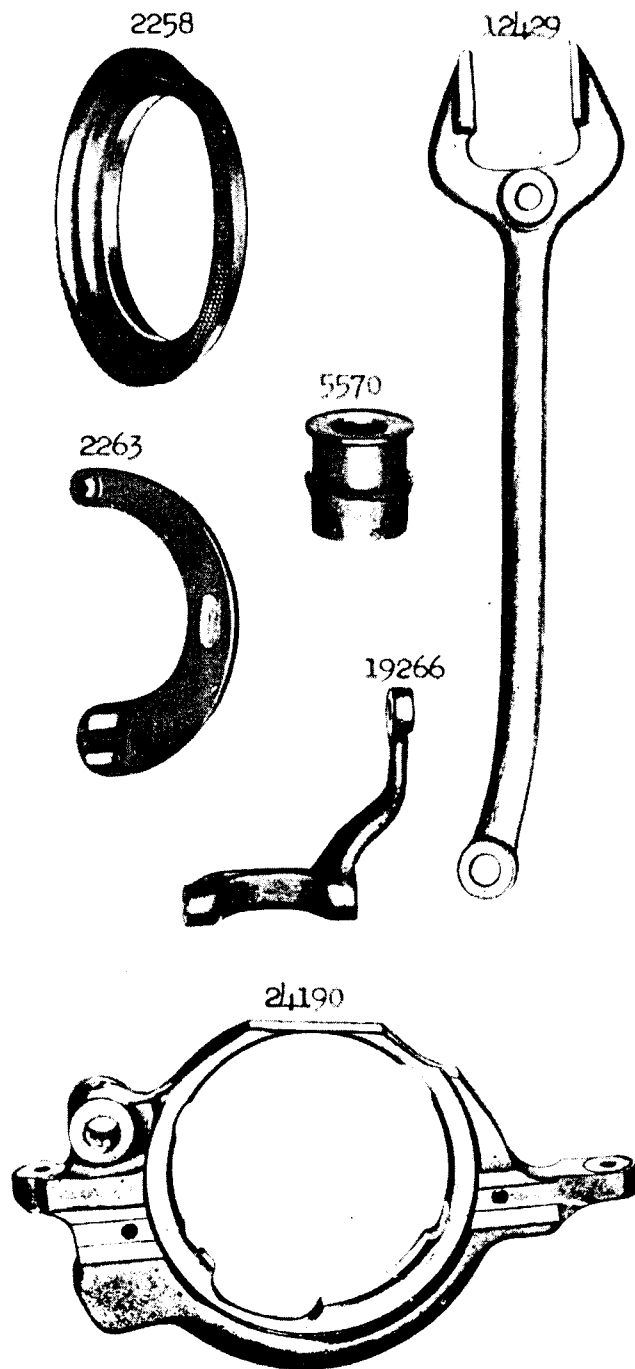


PLATE 8433-ONE-HALF SIZE

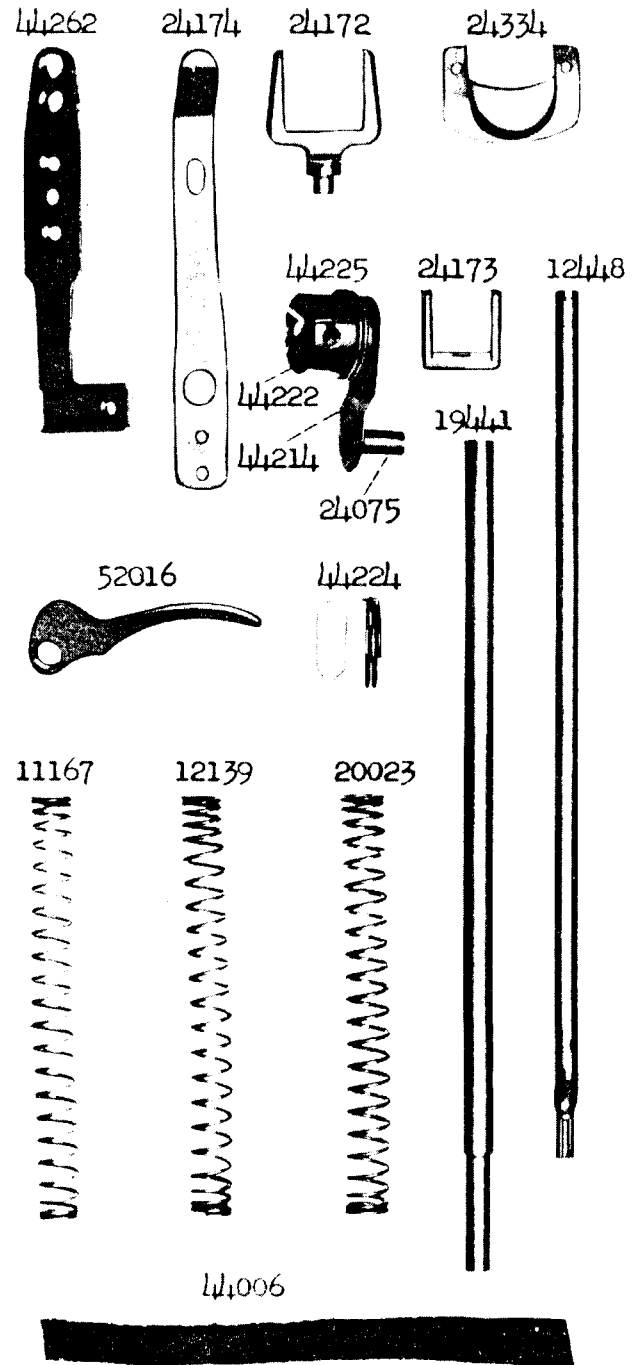


PLATE 8434-ONE-HALF SIZE

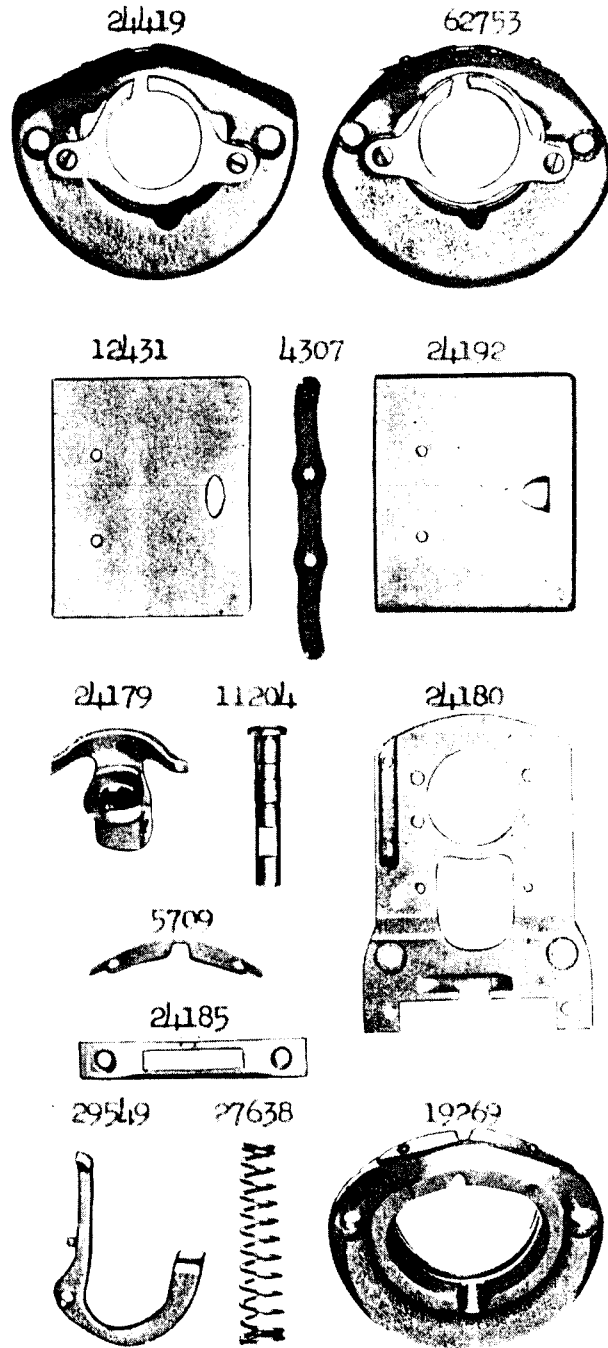


PLATE 8435-FULL SIZE

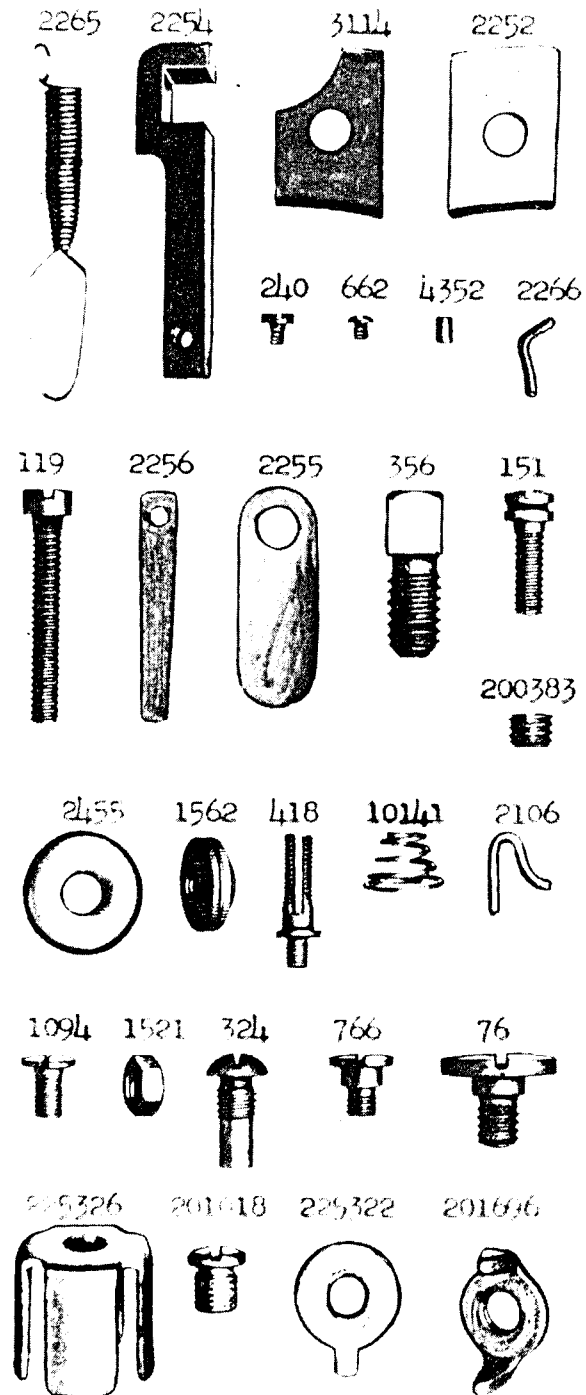


PLATE 8436-FULL SIZE

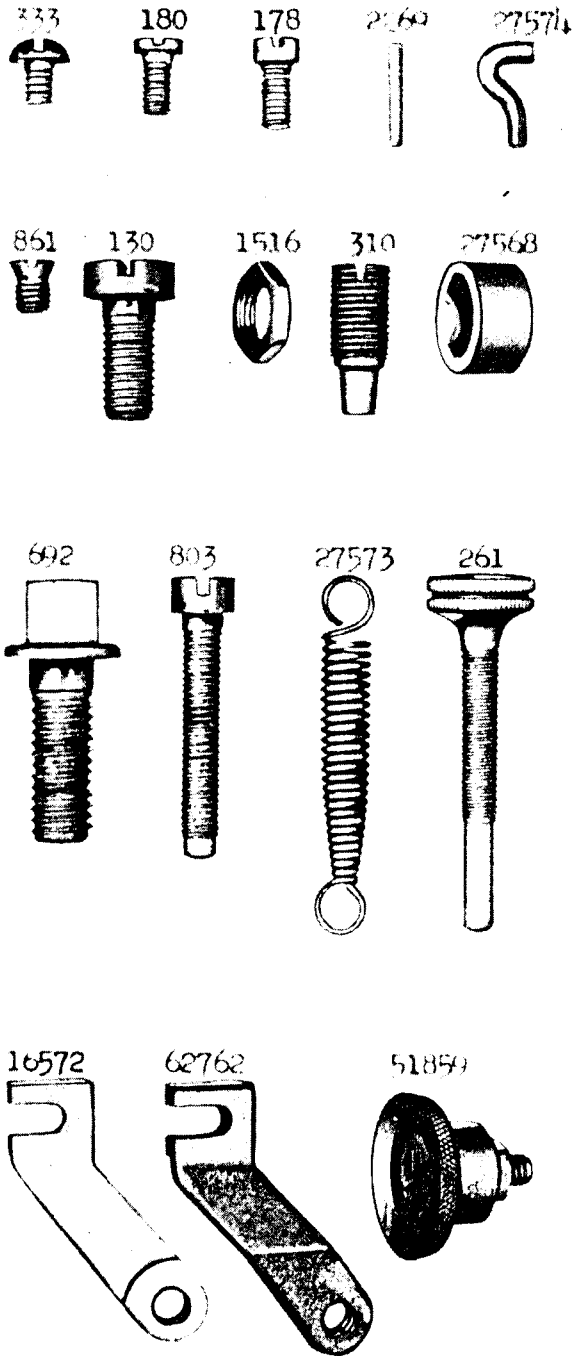


PLATE 8437-FULL SIZE

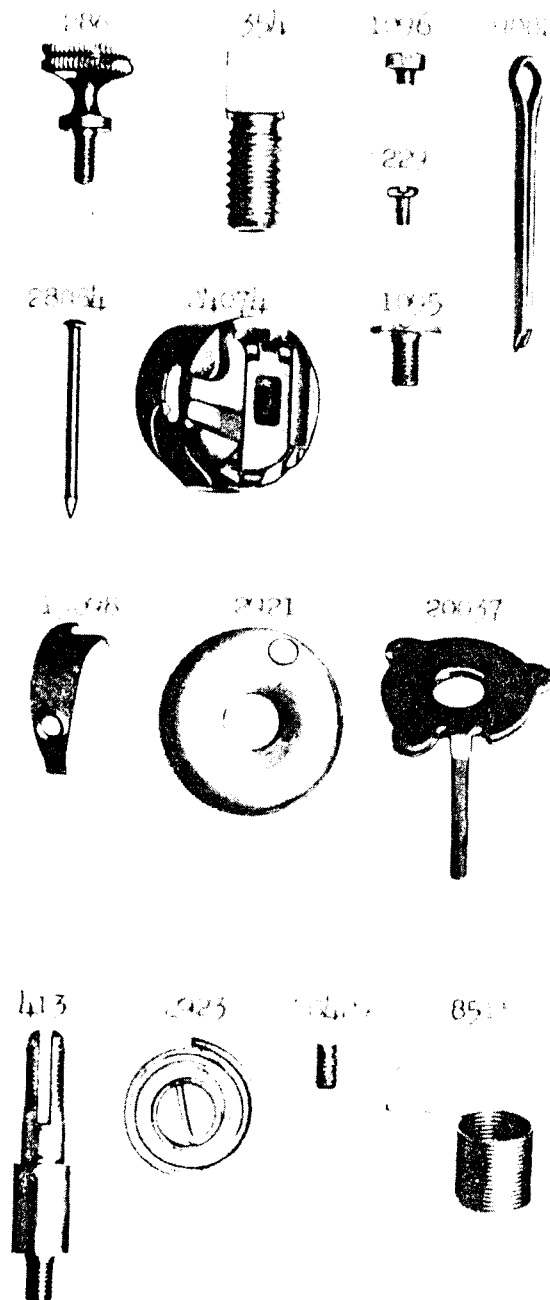


PLATE 8438-ONE-HALF SIZE

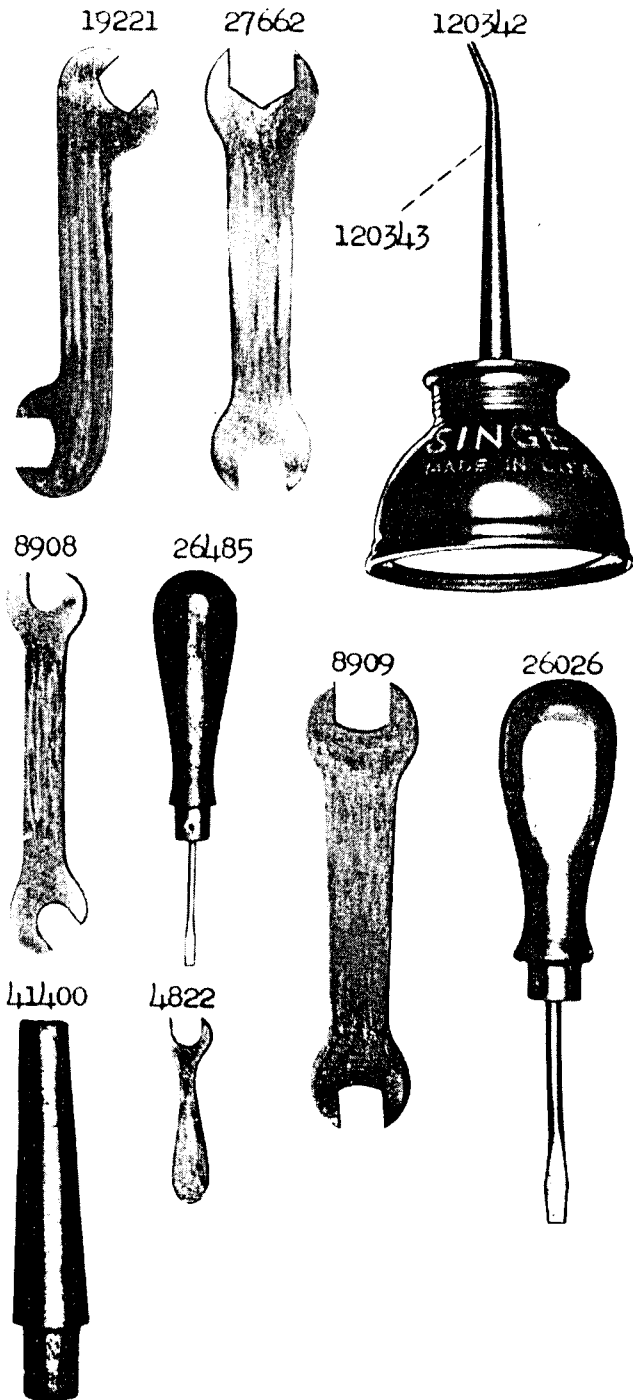


PLATE 8439-ONE-HALF SIZE

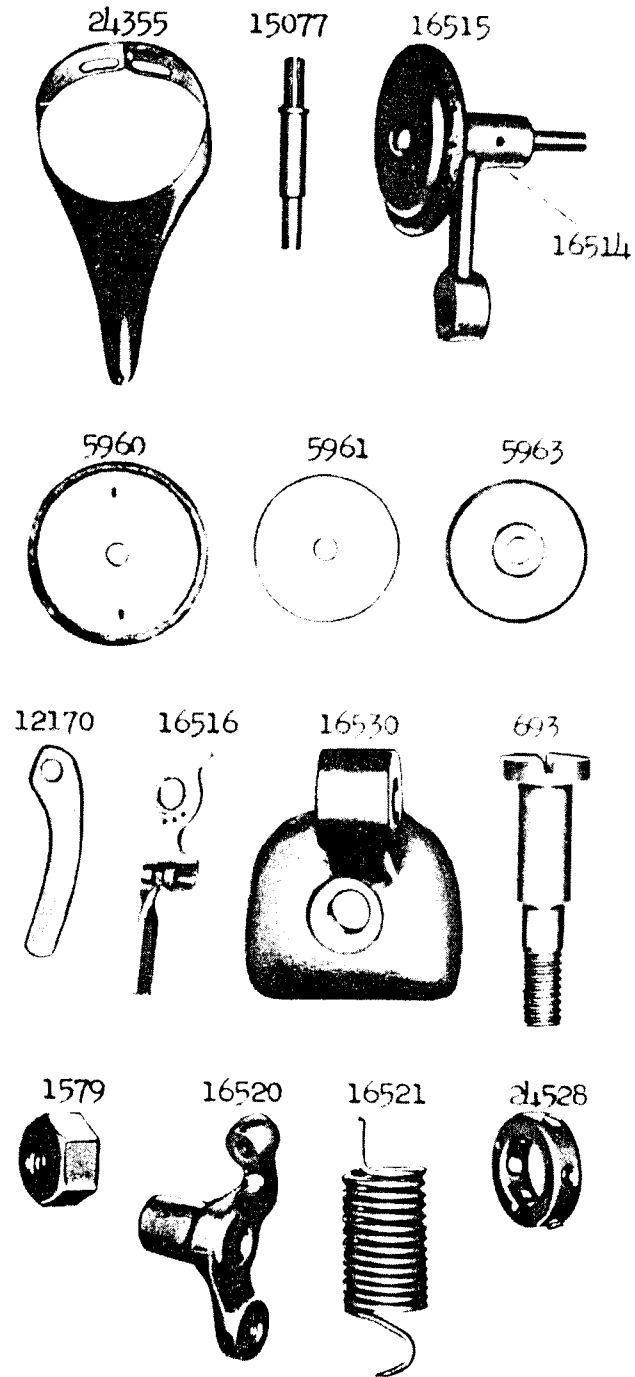


PLATE 8440-ONE-HALF SIZE

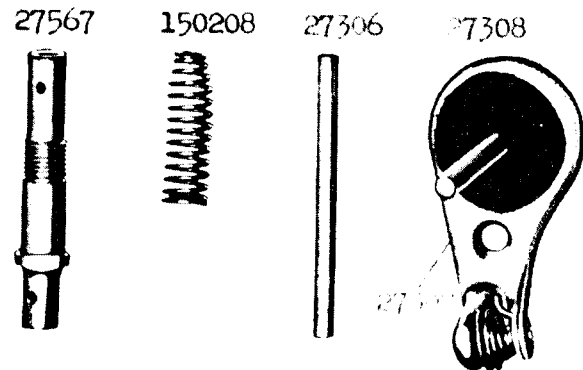
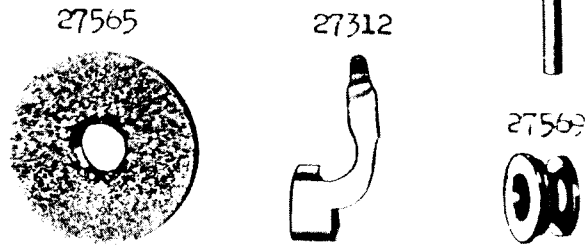
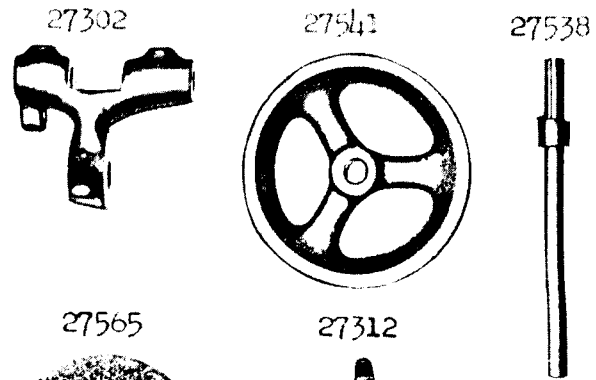
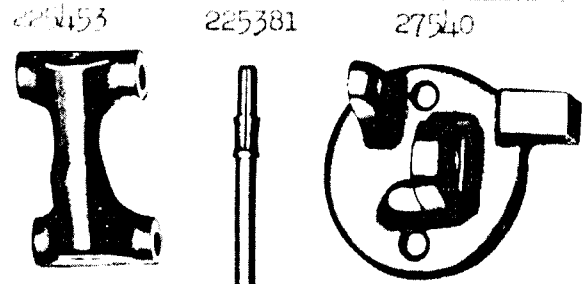


PLATE 8441-ONE-HALF SIZE

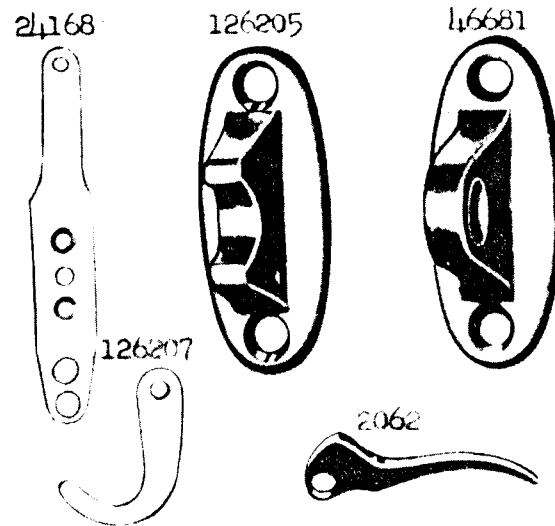
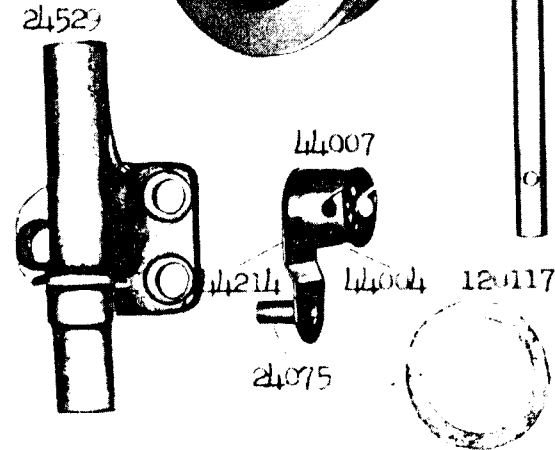
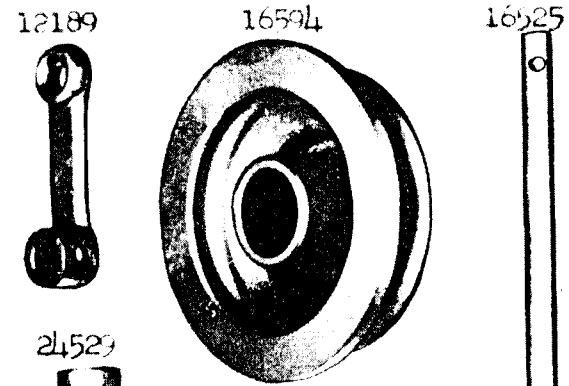


PLATE 8442-ONE-FOURTH SIZE

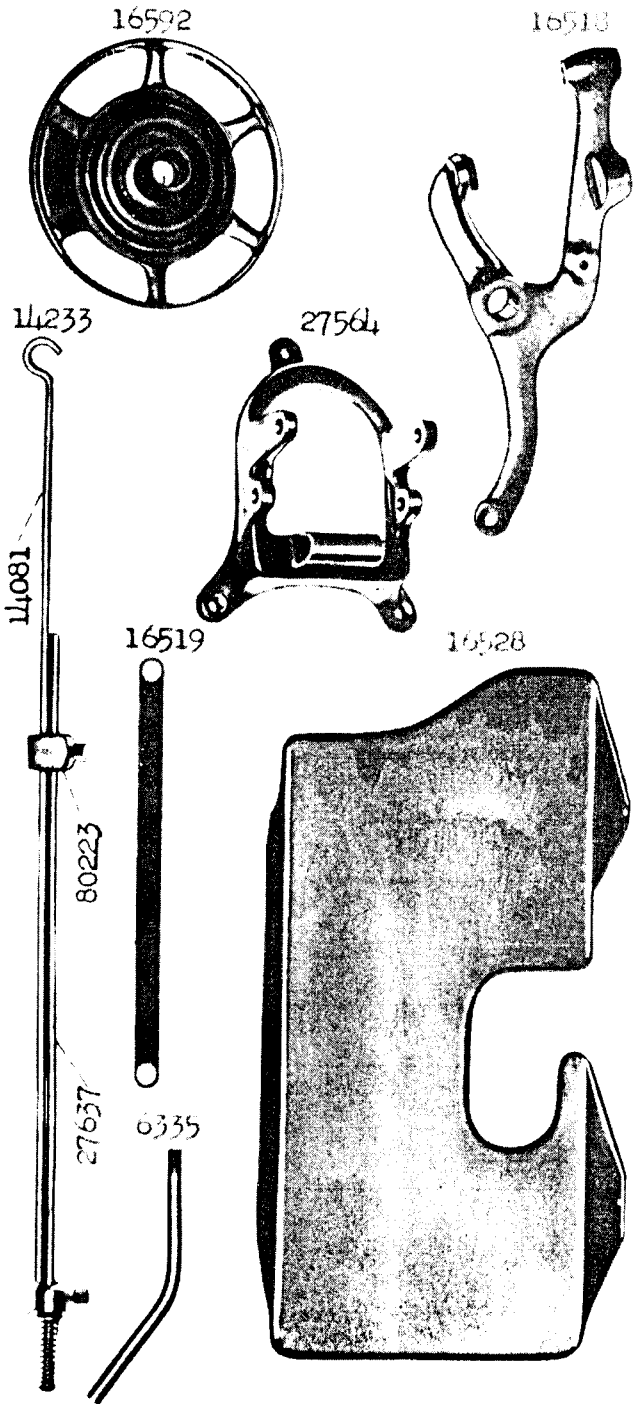


PLATE 8443-ONE-FOURTH SIZE

