

Form 20755
(159)

Printed in U. S. A.

HISTORICAL
DO NOT REMOVE

LIST OF PARTS



SINGER^{**}

MACHINE No. 43-7

THE SINGER MANUFACTURING COMPANY

^{**} A Trademark of THE SINGER MANUFACTURING COMPANY

INSTRUCTIONS FOR OILING

To insure easy running and prevent unnecessary wear of the parts which are in movable contact, the machine requires oiling and when in continuous use, "TYPE B" or "TYPE D" OIL, sold by Singer Sewing Machine Company, should be applied daily to all oil holes and points of contact marked "OIL", as instructed in Form 19904.

"TYPE D" OIL should be used when an oil is desired which will produce a minimum of stain on fabrics, even after a long period of storage.

INDEX

| | Page |
|-------------------------------|------|
| Accessories | 12 |
| Bobbin Winder | 12 |
| Knee Lifter Parts | 13 |
| Machine No. 43-7 | 7 |
| Numerical List of Parts | 15 |

INSTRUCTIONS FOR ORDERING

In ordering from this list, use ONLY the part NUMBER in the FIRST column.

The number stamped on a Sewing Machine Part is in every case the number of the single part only.

Every combination of parts sent out as such has its specific number, which, although not stamped on the parts, must be used when ordering the combination.

Each number always indicates the SAME PART in whatever list it appears, or for whatever machine.

The letters after some of the numbers indicate the style of finish only, as follows:

- A—Hardened, Polished, Nickel Plated and Buffed
- B—Polished, Nickel Plated and Buffed
- C—Hardened Only
- D—Polished Only
- E—Soft, Not Polished
- F—Hardened and Polished
- G—Bright Rumbled and Nickel Plated
- H—Blued
- J—Nickel Plated Only
- K—Hardened and Nickel Plated
- L—Brass Plated
- M—Oxidized
- R—Phosphate Coating Formed on Surface of Iron or Steel
- S—Cadmium Plated
- T—Copper Plated
- U—Zinc Plated
- V—Silver Plated
- W—Polished and Nickel Plated
- X—Black Oxide for Iron and Steel
- Y—Black Nickel Plated Only
- Z—Chromium Plated
- A.A—Buffed and Chromium Plated
- A.B—Hardened, Polished, Buffed and Chromium Plated
- A.E—Hardened, Bright Rumbled and Nickel Plated
- A.F—Hardened, Bright Rumbled, Nickel Plated, Bright Rumbled and Chromium Plated
- A.G—Alumilite (Plain)
- A.H—Alumilite (Dyed) Color Must be Stated
- A.J—Polished, Nickel Plated and Chromium Plated
- A.K—Hardened, Polished, Nickel Plated and Chromium Plated
- A.L—Heat Treated for Toughness
- A.L.D—Heat Treated for Toughness and Polished
- A.L.X—Heat Treated for Toughness and Black Oxide

INSTRUCTIONS FOR ORDERING

- A.S—Black Moulded Phenolic
- A.T—Beige Moulded Phenolic
- A.U—Brown Moulded Phenolic
- A.W—Hardened then Flame Coated with Tungsten Carbide
- B.A—Chrome Nickel Satin Finish
- B.B—Hardened and Chrome Nickel, Satin Finished
- C.R—Hardened and Phosphate Coating Formed on Surface of Steel
- F.J—Hardened, Polished and Nickel Plated
- T.A—Hardened, Polished, Copper and Nickel Plated and Buffed
- T.B—Copper and Nickel Plated and Polished
- T.J—Copper and Nickel Plated Only
- T.K—Hardened, Copper and Nickel Plated
- T.L—Copper and Brass Plated
- T.M—Copper Plated and Oxidized
- X.C—Hardened and Black Oxide for Iron and Steel
- Z.A—Hardened, Polished Nickel Plated, Buffed and Chromium Plated
- Z.B—Polished, Nickel Plated, Buffed and Chromium Plated
- Z.C—Hardened and Chromium Plated
- Z.D—Polished and Chromium Plated
- Z.G—Bright Rumbled, Nickel Plated, Bright Rumbled and Chromium Plated
- Z.J—Nickel and Chromium Plated
- Z.T—Copper and Chromium Plated

These letters MUST BE USED when they appear in the list; and AFTER the number as in the list.

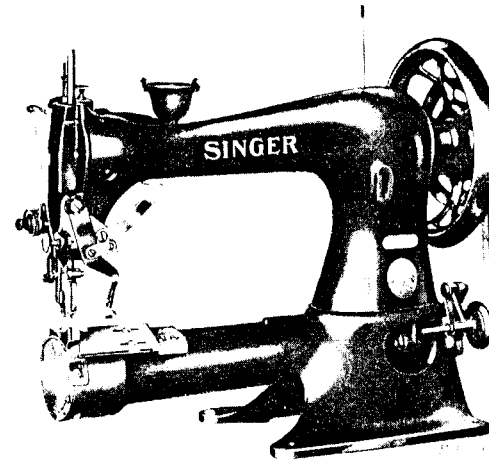
In this series:

1 to 1500, 50001 to 51500 and 140001 to 142,000 are screw numbers
1501 to 1800 and 51500 to 51800 are nut numbers
1801 to 2000 and 51801 to 52000 are roller numbers
2001 to 50000 and 52001 to 140000 and 142001 to 190000 are Sewing Machine Parts, 190001 and upward are numbers of Electrical Parts.

The figures in the second column refer only to the plates, illustrating the parts, and are NOT TO BE USED in ordering.

Parts marked with an asterisk (*) are furnished only when repairs are made at the factory.

LIST OF PARTS COMPLETE
FOR



MACHINE No. 43-7

FOR STITCHING CURVED VISORS, SWEAT BANDS
AND CAP BANDS INTO THE BODY OF CAPS IN
ONE OPERATION. UPPER FEED. STITCH LENGTH
1/4 INCH. SPEED: 1000 DEPENDING ON MATERIALS
USED AND OPERATIONS PERFORMED.

| No. | Plate | Name |
|----------|-------|---|
| * 13068 | ----- | Arm with 159E, 180J, 4448, 4449, 4891, 4892, two 620AL and four 129E..... |
| 2002 | 21044 | Arm Dowel Pin (2) |
| 4448 | 21044 | Arm Oil Tube for intermediate bearing.... |
| 123E | 21044 | Arm Screw (3) |
| 6178 | 21045 | Arm Shaft |
| 4449 | 21045 | Arm Shaft Bushing (front)..... |
| 3005 | 21045 | Arm Shaft Bushing (back)..... |
| 140732AL | 21045 | Arm Shaft Bushing (back) Set Screw..... |
| 144D | 21045 | Arm Shaft Screw..... |
| 13114 | 21044 | Arm Side Cover..... |
| 51224W | 21044 | Arm Side Cover Thumb Screw..... |
| 5811 | 21044 | Arm Spool Pin and Thread Eyelet..... |
| 8879 | 21044 | Arm Spool Pin Washer (cloth) (2)..... |
| 120871 | 21046 | Cap Band Sweat Guide (adjustable) with 120872 and two each 1443W and 127784 .. |
| 120872 | 21046 | Cap Band Sweat Guide Adjusting Block.... |
| 1443W | 21046 | Cap Band Sweat Guide Adjusting Block Screw (2)..... |
| 127784 | 21046 | Cap Band Sweat Guide Adjusting Block Screw Washer (2) |

| No. | Plate | Name |
|--------|-------|---|
| 6466 | 21053 | Lifting Presser Bar Spring..... |
| 2070 | 21053 | Lifting Presser Bar Spring Washer |
| 13108 | 21051 | Lifting Presser Foot |
| 193J | 21051 | Lifting Presser Foot Screw |
| 13120 | 21054 | Machine Pulley, "V" belt groove (outside diam. of belt groove 7.2 in.) with two 448AL |
| 448AL | 21054 | Machine Pulley Set Screw (2) |
| 5465 | 21052 | Needle Bar |
| 4898 | 21052 | Needle Bar Connecting Link with 390E |
| 56764 | ----- | Needle Bar Connecting Link 4898 with 15472 |
| 390E | 21052 | Needle Bar Connecting Link Adjusting Screw |
| 15472 | 21052 | Needle Bar Connecting Stud with 155C |
| 155C | 21052 | Needle Bar Connecting Stud Screw |
| 13115 | 21052 | Needle Clamp Body |
| 24102 | 21052 | Needle Clamp Thread Guide |
| 651F | 21052 | Needle Clamp Thread Guide Screw |
| 13113 | 21052 | Needle Clamp complete, Nos. 651F, 13115, 24102 and 51323F |
| 51323F | 21052 | Needle Clamp Screw |
| 13116 | 21051 | Needle Plate |
| 13117 | 21051 | Needle Plate Body |
| 742F | 21051 | Needle Plate Body Screw (2) |
| 401F | 21051 | Needle Plate Screw |
| 13118 | 21051 | Needle Plate complete, Nos. 401F, 13116 and 13117 |
| 6436 | 21044 | Oil Cup with 1111E and three 6437 |
| 1111E | 21044 | Oil Cup Screw Stud |
| 6437 | 21044 | Oil Cup Thread Eyelet (3) |
| 13009 | 21045 | Oscillating Rock Shaft with 11165 |
| 13062 | ----- | Oscillating Rock Shaft 13009 with 65131 |
| 65130 | 21045 | Oscillating Rock Shaft Hinge Pin |
| 65131 | ----- | Oscillating Rock Shaft Hinge Pin 65130 with 1513J |
| 1513J | 21045 | Oscillating Rock Shaft Hinge Pin Nut |
| 11165 | 21045 | Oscillating Rock Shaft Oil Pad |
| 13063 | 21055 | Oscillating Shaft |
| 5999 | 21055 | Oscillating Shaft Crank |
| 6000 | 21055 | Oscillating Shaft Crank complete, Nos. 453AL, 1513J, 1885 and 5999 |
| 2049 | ----- | Oscillating Shaft Crank Pin |
| 1885 | 21055 | Oscillating Shaft Crank Roller with 190E, 1054C and 5968 |
| 190E | 21055 | Oscillating Shaft Crank Roller Cap Screw |
| 5968 | 21055 | Oscillating Shaft Crank Roller Cap Screw Washer |
| 1054C | 21055 | Oscillating Shaft Crank Roller Screw Stud |
| 1513J | 21055 | Oscillating Shaft Crank Roller Screw Stud Nut |
| 453AL | 21055 | Oscillating Shaft Crank Set Screw |
| 262J | 21053 | Pressure Regulating Thumb Screw |
| 1632C | 21053 | Pressure Regulating Thumb Screw Lock Nut |
| 14535 | 21056 | Shuttle Bobbin |

| No. | Plate | Name |
|--------|-------|--|
| 13258 | 21056 | Shuttle Cylinder |
| 13259 | ----- | Shuttle Cylinder 13258 with 773F and 13264 |
| 13266 | 21056 | Shuttle Cylinder Hinge Pin |
| 13267 | 21056 | Shuttle Cylinder Latch |
| 12002 | 21056 | Shuttle Cylinder Latch Pin |
| 122419 | 21056 | Shuttle Cylinder Latch Spring |
| 13268 | 21056 | Shuttle Frame |
| 13269 | ----- | Shuttle Frame 13268 with 12002, 13267 and 122419 |
| 773F | 21056 | Shuttle Tension Regulating Screw |
| 13264 | 21056 | Shuttle Tension Spring |
| 13270 | 21056 | Shuttle (cylinder) 2-1/2 in. diam. complete, Nos. 13259, 13266, 13269 and 14535 |
| 13023 | 21055 | Shuttle Driver and Feed Lifting Eccentric |
| 2022 | 21055 | Shuttle Driver and Feed Lifting Eccentric Pin |
| 13085 | 21057 | Shuttle Race |
| 13086 | ----- | Shuttle Race 13085 with 1161E, 13089 and 13090 |
| 13087 | 21057 | Shuttle Race Cap |
| 13088 | 21057 | Shuttle Race Cap complete, Nos. 13015, 13087 and two 240J |
| 13015 | 21057 | Shuttle Race Cap Latch |
| 240J | 21057 | Shuttle Race Cap Latch Screw (2) |
| 102J | 21057 | Shuttle Race Cap Screw (2) |
| 13089 | 21057 | Shuttle Race Thread Guard |
| 1161E | 21057 | Shuttle Race Thread Guard Screw |
| 13090 | 21057 | Shuttle Race Thread Guard Steady Pin |
| 127E | 21057 | Shuttle Race Screw (2) |
| 1560C | 21048 | Tension Regulating Thumb Nut |
| 817C | 21048 | Tension Screw Stud |
| 8183 | ----- | Tension Screw Stud 817C with 1560C |
| 448AL | 21048 | Tension Screw Stud Set Screw |
| 2103 | 21048 | Tension Spring |
| 2105 | 21048 | Tension Thread Guard |
| 5983 | 21048 | Tension Washer (felt) (2) |
| 5984 | 21048 | Tension Washer (steel) (2) |
| 5795 | 21048 | Tension Wheel |
| 5797 | 21048 | Tension complete (wheel) Nos. 2103, 5795, 8183 and two each 5983 and 5984 |
| 12296 | 21044 | Thread Eyelet (side of arm) |
| 2455 | 21048 | Thread Retaining Disc (2) |
| 1562J | 21048 | Thread Retaining Regulating Thumb Nut |
| 418E | 21048 | Thread Retaining Screw Stud |
| 10141 | 21048 | Thread Retaining Spring |
| 5989 | 21048 | Thread Retaining complete, Nos. 418E, 1562J, 10141 and two 2455 |
| 5793 | 21045 | Thread Take-up Cam with 446AL |
| 3012 | 21045 | Thread Take-up Cam Pin |
| 446AL | ----- | Thread Take-up Cam Set Screw |
| 5758 | 21052 | Thread Take-up Lever with 1819 |
| 8159 | ----- | Thread Take-up Lever 5758 with 1088C |
| 1088C | 21052 | Thread Take-up Lever Hinge Screw |
| 1819 | 21052 | Thread Take-up Lever Roller and Stud |

| No. | Plate | Name |
|--------|-------|---|
| 5991 | 21048 | Thread Take-up Spring..... |
| 1217 | 21048 | Thread Take-up Spring Regulator Plate.... |
| 233J | 21048 | Thread Take-up Spring Regulator Plate Adjusting Screw..... |
| 120873 | 21046 | Visor Guide..... |
| 335J | 21046 | Visor Guide Screw (2)..... |
| 6053 | ---- | Drip Pan..... |

ACCESSORIES

| No. | Plate | Name |
|--------|-------|--|
| 51072E | 21058 | Machine Bolt with 51581E (4)..... |
| 51581E | 21058 | Machine Bolt Nut (4)..... |
| 6055 | 21058 | Machine Bolt Nut Washer (4)..... |
| 120342 | 21058 | Oiler (copper plated) with 120343..... |
| 120343 | 21058 | Oiler Spout, 3-1/2 in. long..... |
| 26026 | 21058 | Screw Driver (machine)..... |
| 26485 | 21058 | Screw Driver (shuttle tension)..... |
| 4347 | 21058 | Wrench for 1513, 1517 and 1518..... |
| 4822 | 21058 | Wrench for 1528, 1547 and 1549..... |
| 8908 | 21058 | Wrench for 1520..... |

BOBBIN WINDER

| No. | Plate | Name |
|-------|-------|--|
| 13031 | 21059 | Bracket..... |
| 145D | 21059 | Bracket Screw (2)..... |
| 12169 | 21059 | Frame..... |
| 13035 | ---- | Frame complete, Nos. 333J, 5761, 5960, 5961, 5963 and 12169..... |
| 32D | 21059 | Frame Hinge Screw..... |
| 5960 | 21059 | Friction Wheel (leather)..... |
| 5961 | 21059 | Friction Wheel Washer..... |
| 333J | 21059 | Friction Wheel Washer Screw..... |
| 5761 | 21059 | Spindle..... |
| 5963 | 21059 | Spindle Flange..... |
| 12170 | 21059 | Spring..... |
| 180F | 21059 | Spring Screw..... |
| 13032 | 21059 | Bobbin Winder complete, Nos. 32D, 180F, 12170, 13031 and 13035..... |

KNEE LIFTER PARTS

| No. | Plate | Name |
|---------|-------|---|
| 16641 | 21060 | Lifting Lever with 448AL..... |
| 1064X | 21060 | Lifting Lever Hinge Screw..... |
| 4896 | 21060 | Lifting Lever Hook..... |
| 448AL | 21060 | Lifting Lever Hook Set Screw..... |
| 16659 | 21060 | Lifting Lever Spring..... |
| 6343 | 21060 | Pitman..... |
| 2763 | 21061 | Rock Shaft..... |
| 6334 | 21061 | Rock Shaft Hanger with two wood screws 1 in. No. 10 (2)..... |
| 16646 | 21061 | Rock Shaft Knee Arm with 1509E..... |
| 16647 | ---- | Rock Shaft Knee Arm complete, Nos. 2766, 2767 and 16646..... |
| 2766 | 21061 | Rock Shaft Knee Arm Hub with 356C..... |
| 1509E | 21061 | Rock Shaft Knee Arm Hub Lock Nut..... |
| 356C | 21061 | Rock Shaft Knee Arm Hub Set Screw..... |
| 2767 | 21061 | Rock Shaft Knee Plate with 356C..... |
| 356C | 21061 | Rock Shaft Knee Plate Set Screw..... |
| 6337 | 21061 | Rock Shaft Lifting Bracket with two 356C.... |
| 6338 | 21061 | Rock Shaft Lifting Bracket Hook..... |
| 356C | 21061 | Rock Shaft Lifting Bracket Hook Set Screw.. |
| 356C | 21061 | Rock Shaft Lifting Bracket Set Screw..... |
| 2770 | 21061 | Rock Shaft Stop Dog with 140219C..... |
| 140219C | 21061 | Rock Shaft Stop Dog Set Screw..... |
| 6339 | 21061 | Rock Shaft complete, Nos. 2763, 2770, 6337, 6338, 16647 and two 6334..... |
| 16645 | ---- | Knee Lifter complete, Nos. 1064X, 4725, 4726, 4896, 6339, 6343, 16641 and 16659... |

**SINGER Needles should be used
in SINGER Machines
These Needles and their Containers
are marked with the
Company's Trademark "SIMANCO" 1**

**Needles in Containers marked
"FOR SINGER MACHINES"
are NOT SINGER made needles 2**

NUMERICAL LIST OF PARTS

| No. | Plate | Name |
|-------|-------|---|
| 32D | 21059 | Bobbin Winder Frame Hinge Screw for 13032..... |
| 61F | 21047 | Cap Guide Throw-out Lever Hinge Screw for 120870..... |
| 89F | 21049 | Feed Bar Connecting Link Hinge Screw..... |
| 99J | 21047 | Cap Guide Throw-out Lever Connecting Link Hinge Screw for 120870..... |
| 102J | 21057 | Shuttle Race Cap Screw..... |
| 123E | 21044 | Arm Screw..... |
| 127E | 21057 | Shuttle Race Screw..... |
| 129E | 21050 | Feed Shaft Bracket (back) Screw for 13068 |
| 129E | 21050 | Feed Shaft Bracket (front) Screw for 13068 |
| 144D | 21045 | Arm Shaft Screw..... |
| 145D | 21059 | Bobbin Winder Bracket Screw..... |
| 145E | 21045 | Crank Connecting Rod Cap Screw for 13002 |
| 155C | 21052 | Needle Bar Connecting Stud Screw for 15472..... |
| 159E | 21050 | Feed Lever Bracket Screw (upper) for 13068..... |
| 175J | 21048 | Face Plate Screw..... |
| 180F | 21059 | Bobbin Winder Spring Screw for 13032.... |
| 180J | 21050 | Feed Lever Bracket Screw (lower) for 13068..... |
| 190E | 21055 | Oscillating Shaft Crank Roller Cap Screw for 1885..... |
| 190J | 21046 | Cap Band Sweat Guide Screw..... |
| 193J | 21051 | Lifting Presser Foot Screw..... |
| 203J | 21047 | Cap Guide Bracket Screw..... |
| 217J | 21051 | Feed Point Screw..... |
| 228J | 21047 | Cap Guide Screw for 120870..... |
| 233J | 21048 | Face Plate Thread Guard Screw for 13106.. |
| 233J | 21048 | Thread Take-up Spring Regulator Plate Adjusting Screw for 13106..... |
| 237AL | 21050 | Feed Regulator Thumb Screw Stop Bracket Screw for 4905..... |
| 240J | 21057 | Shuttle Race Cap Latch Screw for 13088... |
| 262J | 21053 | Pressure Regulating Thumb Screw..... |
| 233J | 21059 | Bobbin Winder Friction Wheel Washer Screw for 13035..... |
| 335J | 21046 | Visor Guide Screw..... |
| 356C | 21061 | Knee Lifter Rock Shaft Knee Arm Hub Set Screw for 2766..... |
| 356C | 21061 | Knee Lifter Rock Shaft Knee Plate Set Screw for 2767..... |
| 356C | 21061 | Knee Lifter Rock Shaft Lifting Bracket Hook Set Screw for 6337..... |
| 356C | 21061 | Knee Lifter Rock Shaft Lifting Bracket Set Screw for 6337..... |
| 390E | 21052 | Needle Bar Connecting Link Adjusting Screw for 4898..... |
| 401F | 21051 | Needle Plate Screw for 13118..... |

**SINGER Needles should be used
in SINGER Machines
These Needles and their Containers
are marked with the
Company's Trademark "SIMANCO" 1**

**Needles in Containers marked
"FOR SINGER MACHINES"
are NOT SINGER made needles 2**

| No. | Plate | Name |
|-------|-------|--|
| 404J | 21049 | Guide Bar Lifting Bracket Screw for 56868.. |
| 418E | 21048 | Thread Retaining Screw Stud for 5989..... |
| 435AL | 21045 | Feed Cam Set Screw for 24630..... |
| 446AL | ----- | Thread Take-up Cam Set Screw for 5793.... |
| 448AL | 21054 | Machine Pulley Set Screw for 13120..... |
| 448AL | 21048 | Tension Screw Stud Set Screw for 13106.... |
| 448AL | 21060 | Knee Lifter Lifting Lever Hook Set Screw for 16641..... |
| 453AL | 21050 | Feed Forked Connection Set Screw for 13074..... |
| 453AL | 21055 | Oscillating Shaft Crank Set Screw for 6000.. |
| 566C | 21045 | Crank Connecting Rod Hinge Screw..... |
| 598C | 21053 | Lifting Presser Bar Lifter Screw..... |
| 620AL | 21050 | Feed Lever Hinge Pin Set Screw for 13068.. |
| 641E | 21053 | Lifting Presser Bar Bracket Clamping Screw for 3133..... |
| 651F | 21052 | Needle Clamp Thread Guide Screw for 13113 |
| 666F | 21050 | Feed Regulator Thumb Screw Lock Screw for 13075..... |
| 683D | 21053 | Lifting Presser Bar Lifter Stop Screw..... |
| 690E | 21045 | Guide Bar Driving Crank Wedge Screw for 5750..... |
| 741F | 21047 | Cap Guide Arm Hinge Screw for 120870..... |
| 742F | 21051 | Needle Plate Body Screw..... |
| 773F | 21056 | Shuttle Tension Regulating Screw for 13259.. |
| 810D | 21049 | Feed Bar Hinge Cap Screw for 13078..... |
| 810E | 21049 | Lifting Presser Bar Lifting Bell Crank Hinge Cap Screw for 13078..... |
| 817C | 21048 | Tension Screw Stud for 8183..... |
| 1014W | 21050 | Feed Regulator Thumb Screw for 13075..... |
| 1054C | 21055 | Oscillating Shaft Crank Roller Screw Stud for 1885..... |
| 1064X | 21060 | Knee Lifter Lifting Lever Hinge Screw for 16645..... |
| 1088C | 21052 | Thread Take-up Lever Hinge Screw for 8159..... |
| 1111E | 21044 | Oil Cup Screw Stud for 6436..... |
| 1161E | 21057 | Shuttle Race Thread Guard Screw for 13086.. |
| 1263J | 21047 | Cap Guide Regulating Thumb Screw for 120870..... |
| 1443W | 21046 | Cap Band Sweat Guide Adjusting Block Screw for 120871..... |
| 1509E | 21061 | Knee Lifter Rock Shaft Knee Arm Hub Lock Nut for 16646..... |
| 1513J | 21045 | Crank Connecting Rod Hinge Screw Nut..... |
| 1513J | 21045 | Oscillating Rock Shaft Hinge Pin Nut for 65131..... |
| 1513J | 21055 | Oscillating Shaft Crank Roller Screw Stud Nut for 6000..... |
| 1560C | 21048 | Tension Regulating Thumb Nut for 8183..... |
| 1562J | 21048 | Thread Retaining Regulating Thumb Nut for 5989..... |
| 1632C | 21053 | Pressure Regulating Thumb Screw Lock Nut |

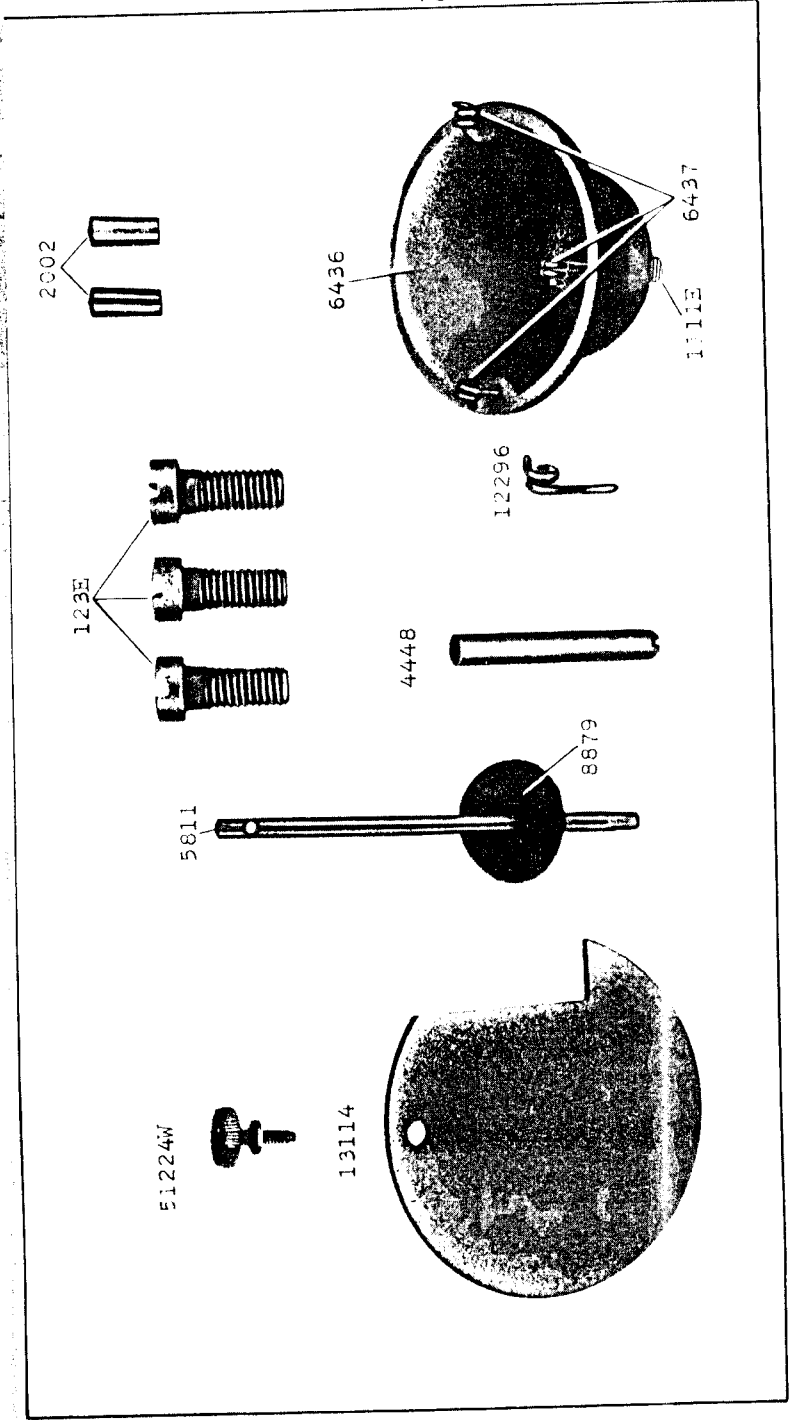
| No. | Plate | Name |
|-------|-------|---|
| 1655J | 21047 | Cap Guide Throw-out Lever Hinge Screw Nut for 120870..... |
| 1819 | 21052 | Thread Take-up Lever Roller and Stud for 5758..... |
| 1823 | 21053 | Lifting Presser Bar Bracket Roller and Stud for 3133..... |
| 1862 | 21052 | Guide Bar Driving Crank Roller for 4854.... |
| 1885 | 21055 | Oscillating Shaft Crank Roller with 190F, 1054C and 5968 for 6000..... |
| 2002 | 21044 | Arm Dowel Pin..... |
| 2022 | 21055 | Shuttle Driver and Feed Lifting Eccentric Pin..... |
| 2049 | 21050 | Feed Regulator Pin for 13092..... |
| 2049 | ----- | Oscillating Shaft Crank Pin..... |
| 2058 | 21053 | Lifting Presser Bar..... |
| 2070 | 21053 | Lifting Presser Bar Spring Washer..... |
| 2103 | 21048 | Tension Spring for 5797..... |
| 2105 | 21048 | Tension Thread Guard for 13105..... |
| 2107 | 21048 | Face Plate Thread Guard for 13106..... |
| 2127 | 21048 | Thread Take-up Spring Regulator Plate for 13106..... |
| 2361 | 21049 | Feed Bar Hinge Bracket for 56752..... |
| 2362 | 21049 | Feed Bar Hinge Bracket Rivet for 56752.... |
| 2455 | 21048 | Thread Retaining Disc for 5989..... |
| 2763 | 21061 | Knee Lifter Rock Shaft for 6339..... |
| 2766 | 21061 | Knee Lifter Rock Shaft Knee Arm Hub with 356C for 16647..... |
| 2767 | 21061 | Knee Lifter Rock Shaft Knee Plate with 356C for 16647..... |
| 2770 | 21061 | Knee Lifter Rock Shaft Stop Dog with 140219C for 6339..... |
| 3005 | 21045 | Arm Shaft Bushing (back)..... |
| 3012 | 21045 | Thread Take-up Cam Pin..... |
| 3093 | 21050 | Feed Forked Connection Pin..... |
| 3094 | 21045 | Guide Bar Driving Crank Wedge for 5750.... |
| 3126 | 21049 | Guide Bar for 56752..... |
| 3131 | 21052 | Guide Bar Driving Crank Roller Cap for 4854..... |
| 3133 | 21053 | Lifting Presser Bar Bracket with 641E and 1823..... |
| 4347 | 21058 | Wrench for 1513, 1517 and 1518 (accessories)..... |
| 4448 | 21044 | Arm Oil Tube for intermediate bearing for 13068..... |
| 4449 | 21045 | Arm Shaft Bushing (front) for 13068..... |
| 4723 | 21049 | Guide Bar Lifting Bracket for 56868..... |
| 4725 | 21053 | Lifting Presser Bar Lifting Bracket for 16645..... |
| 4726 | 21053 | Lifting Presser Bar Lifting Bracket Guide Pin for 16645..... |
| 4822 | 21058 | Wrench for 1528, 1547 and 1549 (accessories)..... |
| 4854 | 21052 | Guide Bar Driving Crank with 1862 and 3131..... |
| 4891 | 21050 | Feed Shaft Bracket (front) for 13068..... |

| No. | Plate | Name |
|--------|-------|---|
| 4892 | 21050 | Feed Shaft Bracket (back) for 13068..... |
| 4896 | 21060 | Knee Lifter Lifting Lever Hook for 16645.. |
| 4897 | 21049 | Lifting Presser Bar Lifting Bell Crank for 13078..... |
| 4898 | 21052 | Needle Bar Connecting Link with 390E for 56764..... |
| 4904 | 21050 | Feed Lever..... |
| 4905 | ----- | Feed Regulator 56904 with 4907 and two 237AL for 13075..... |
| 4907 | 21050 | Feed Regulator Thumb Screw Stop Bracket for 4905..... |
| 4908 | 21050 | Feed Shaft for 13092..... |
| 4909 | 21053 | Lifting Presser Bar Lifter..... |
| 4959 | 21050 | Feed Regulator Thumb Screw Lock Stud (brass) for 13075..... |
| 5465 | 21052 | Needle Bar..... |
| 5750 | ----- | Guide Bar Driving Crank Wedge 3094 with 690E..... |
| 5758 | 21052 | Thread Take-up Lever with 1819 for 8159.. |
| 5761 | 21059 | Bobbin Winder Spindle for 13035..... |
| 5793 | 21045 | Thread Take-up Cam with 446AL..... |
| 5795 | 21048 | Tension Wheel for 5797..... |
| 5797 | 21048 | Tension complete (wheel) for 13106 Nos. 2103, 5795, 8183 and two each 5983 and 5984..... |
| 5811 | 21044 | Arm Spool Pin and Thread Eyelet..... |
| 5960 | 21059 | Bobbin Winder Friction Wheel (leather) for 13035..... |
| 5961 | 21059 | Bobbin Winder Friction Wheel Washer for 13035..... |
| 5963 | 21059 | Bobbin Winder Spindle Flange for 13035... |
| 5968 | 21055 | Oscillating Shaft Crank Roller Cap Screw Washer for 1885..... |
| 5983 | 21048 | Tension Washer (felt) for 5797..... |
| 5984 | 21048 | Tension Washer (steel) for 5797..... |
| 5989 | 21048 | Thread Retainer complete, for 13106 Nos. 418E, 1562J, 10141 and two 2455..... |
| 5991 | 21048 | Thread Take-up Spring for 13106..... |
| 5999 | 21055 | Oscillating Shaft Crank for 6000..... |
| 6000 | 21055 | Oscillating Shaft Crank complete, Nos. 453AL, 1513J, 1885 and 5999..... |
| 6053 | ----- | Drip Pan..... |
| 6055 | 21058 | Machine Bolt Nut Washer (accessories)... |
| 6178 | 21045 | Arm Shaft..... |
| * 6305 | ----- | Feed Lever Bracket..... |
| 6306 | 21049 | Feed Bar Connecting Link..... |
| 6307 | 21050 | Feed Lever Hinge Pin..... |
| 6334 | 21061 | Knee Lifter Rock Shaft Hanger with two wood screws 1 in. No. 10 for 6339..... |
| 6337 | 21061 | Knee Lifter Rock Shaft Lifting Bracket with two 356C for 6339..... |
| 6338 | 21061 | Knee Lifter Rock Shaft Lifting Bracket Hook for 6339..... |
| 6339 | 21061 | Knee Lifter Rock Shaft complete, for 16645 Nos. 2763, 2770, 6337, 6338, 16647 and two 6334..... |

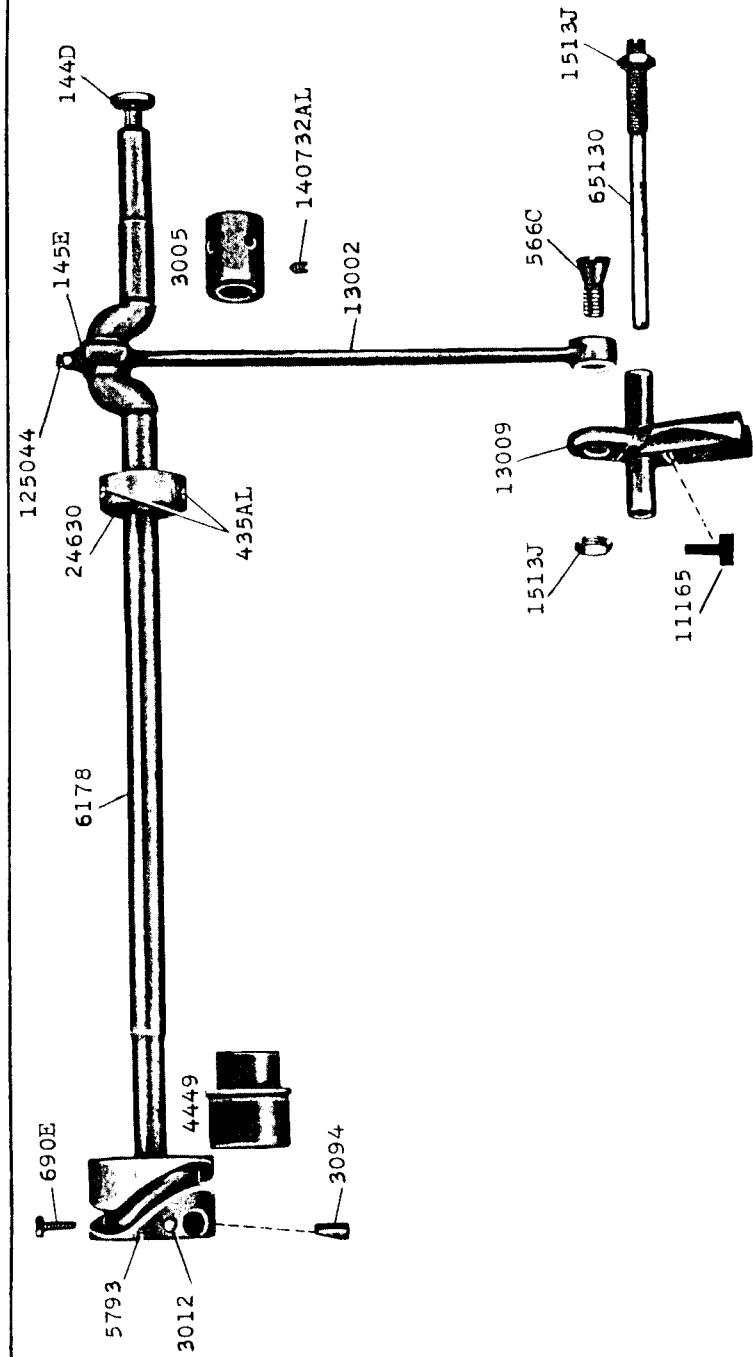
| No. | Plate | Name |
|---------|-------|---|
| 6343 | 21060 | Knee Lifter Pitman for 16645..... |
| 6436 | 21044 | Oil Cup with 1111E and three 6437..... |
| 6437 | 21044 | Oil Cup Thread Eyelet for 6436..... |
| 6466 | 21053 | Lifting Presser Bar Spring..... |
| 7071 | 21046 | Cap Band Sweat Guide Screw Washer..... |
| 8159 | ----- | Thread Take-up Lever 5758 with 1088C..... |
| 8183 | ----- | Tension Screw Stud 817C with 1560C for 5797..... |
| 8879 | 21044 | Arm Spool Pin Washer (cloth)..... |
| 8908 | 21058 | Wrench for 1520 (accessories)..... |
| 10141 | 21048 | Thread Retaining Spring for 5989..... |
| 11165 | 21045 | Oscillating Rock Shaft Oil Pad for 13009.... |
| 12002 | 21056 | Shuttle Cylinder Latch Pin for 13269..... |
| 12169 | 21059 | Bobbin Winder Frame for 13032..... |
| 12170 | 21059 | Bobbin Winder Spring for 13032..... |
| 12296 | 21044 | Thread Eyelet (side of arm)..... |
| 13002 | 21045 | Crank Connecting Rod with 125044 and two 145E..... |
| 13009 | 21045 | Oscillating Rock Shaft with 11165 for 13062.. |
| 13015 | 21057 | Shuttle Race Cap Latch for 13088..... |
| 13023 | 21055 | Shuttle Driver and Feed Lifting Eccentric... |
| 13031 | 21059 | Bobbin Winder Bracket for 13032..... |
| 13032 | 21059 | Bobbin Winder complete, Nos. 32D, 180F, 12170, 13031 and 13035..... |
| 13035 | ----- | Bobbin Winder Frame complete, for 13032, Nos. 333J, 5761, 5960, 5961, 5963 and 12169..... |
| 13062 | ----- | Oscillating Rock Shaft 13009 with 65131.... |
| 13063 | 21055 | Oscillating Shaft..... |
| * 13068 | ----- | Arm with 159E, 180J, 4448, 4449, 4891, 4892, two 620AL and four 129E..... |
| * 13069 | ----- | Cylinder, 3-1/4 in. Diam..... |
| 13073 | 21049 | Feed Bar for 13078..... |
| 13074 | 21050 | Feed Forked Connection with 453AL for 13092..... |
| 13075 | ----- | Feed Regulator complete, for 13092 Nos. 666F, 1014W, 4905, 4959 and 13076..... |
| 13076 | 21050 | Feed Regulator Slide Block for 13075..... |
| 13078 | ----- | Guide Bar complete, Nos. 810D, 810E, 4897, 13073 and 56868..... |
| 13085 | 21057 | Shuttle Race for 13086..... |
| 13086 | ----- | Shuttle Race 13085 with 1161E, 13089 and 13090..... |
| 13087 | 21057 | Shuttle Race Cap for 13088..... |
| 13088 | 21057 | Shuttle Race Cap complete, Nos. 13015, 13087 and two 240J..... |
| 13089 | 21057 | Shuttle Race Thread Guard for 13086..... |
| 13090 | 21057 | Shuttle Race Thread Guard Steady Pin for 13086..... |
| 13092 | ----- | Feed Shaft 4908 with 2049, 13074 and 13075.. |
| 13104 | 21048 | Face Plate for 13105..... |
| 13105 | ----- | Face Plate 13104 with 2105 for 13106..... |
| 13106 | 21048 | Face Plate complete, Nos. 448AL, 2107, 2127, 5797, 5989, 5991, 13105 and two 233J.. |
| 13107 | 21051 | Feed Point..... |

| No. | Plate | Name |
|--------|-------|--|
| 13108 | 21051 | Lifting Presser Foot..... |
| 13113 | 21052 | Needle Clamp complete, Nos. 651F, 13115, 24102 and 51323F..... |
| 13114 | 21044 | Arm Side Cover..... |
| 13115 | 21052 | Needle Clamp Body for 13113..... |
| 13116 | 21051 | Needle Plate for 13118..... |
| 13117 | 21051 | Needle Plate Body for 13118..... |
| 13118 | 21051 | Needle Plate complete, Nos. 401F, 13116 and 13117..... |
| 13120 | 21054 | Machine Pulley, "V" belt groove (outside diam. of belt groove 7.2 in.) with two 448AL..... |
| 13258 | 21056 | Shuttle Cylinder for 13259..... |
| 13259 | ----- | Shuttle Cylinder 13258 with 773F and 13264 for 13270..... |
| 13264 | 21056 | Shuttle Tension Spring for 13259..... |
| 13266 | 21056 | Shuttle Cylinder Hinge Pin for 13270..... |
| 13267 | 21056 | Shuttle Cylinder Latch for 13269..... |
| 13268 | 21056 | Shuttle Frame for 13269..... |
| 13269 | ----- | Shuttle Frame 13268 with 12002, 13267 and 122419 for 13270..... |
| 13270 | 21056 | Shuttle (cylinder) 2-1/2 in. diam., complete, Nos. 13259, 13266, 13269 and 14535..... |
| 14535 | 21056 | Shuttle Bobbin for 13270..... |
| 15472 | 21052 | Needle Bar Connecting Stud with 155C for 56764..... |
| 16641 | 21060 | Knee Lifter Lifting Lever with 448AL for 16645..... |
| 16645 | ----- | Knee Lifter complete, Nos. 1064X, 4725, 4726, 4896, 6339, 6343, 16641 and 16659... |
| 16646 | 21061 | Knee Lifter Rock Shaft Knee Arm with 1509E for 16647..... |
| 16647 | ----- | Knee Lifter Rock Shaft Knee Arm complete, for 6339 Nos. 2766, 2767 and 16646..... |
| 16659 | 21060 | Knee Lifter Lifting Lever Spring for 16645. |
| 24102 | 21052 | Needle Clamp Thread Guide for 13113..... |
| 24630 | 21045 | Feed Cam with two 435AL..... |
| 26026 | 21058 | Screw Driver (machine) (accessories)..... |
| 26485 | 21058 | Screw Driver (shuttle tension) (accessories) |
| 36006 | 21047 | Cap Guide Hinge Screw Friction Washer for 120870..... |
| 36006 | 21047 | Cap Guide Throw-out Lever Hinge Screw Friction Washer for 120870..... |
| 51072E | 21058 | Machine Bolt with 51581E (accessories) ... |
| 51224W | 21044 | Arm Side Cover Thumb Screw..... |
| 51323F | 21052 | Needle Clamp Screw for 13113..... |
| 51581E | 21058 | Machine Bolt Nut for 51072E (accessories). |
| 56752 | ----- | Guide Bar 3126 with 2361 and two 2362 for 56868..... |
| 56764 | ----- | Needle Bar Connecting Link 4898 with 15472 |
| 56868 | ----- | Guide Bar 56752 with 4723 and three 404J for 13078..... |
| 56904 | 21050 | Feed Regulator for 4905..... |
| 65130 | 21045 | Oscillating Rock Shaft Hinge Pin for 65131. |
| 65131 | ----- | Oscillating Rock Shaft Hinge Pin 65130 with 1513J for 13062..... |

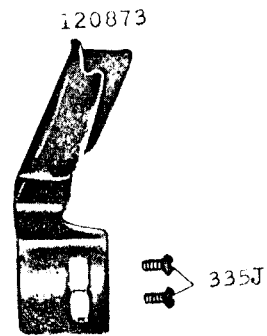
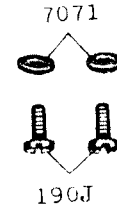
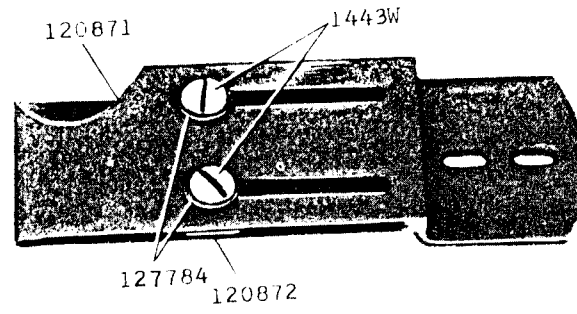
| No. | Plate | Name |
|----------|-------|---|
| 120342 | 21058 | Oiler (copper plated) with 120343 (accessories)..... |
| 120343 | 21058 | Oil Spout, 3-1/2 in. long for 120342 (accessories)..... |
| 120864 | 21047 | Cap Guide for 120870..... |
| 120865 | 21047 | Cap Guide Arm for 120870..... |
| 120866 | 21047 | Cap Guide Body for 120870..... |
| 120867 | 21047 | Cap Guide Bracket for 120870..... |
| 120868 | 21047 | Cap Guide Throw-out Lever for 120870.... |
| 120869 | 21047 | Cap Guide Throw-out Lever Connecting Link for 120870..... |
| 120870 | 21047 | Cap Guide (throw-out, adjustable) complete, Nos. 61F, 741F, 1263J, 1655J, 120864, 120865, 120866, 120867, 120868, 120869 and two each 99J, 228J and 36006..... |
| 120871 | 21046 | Cap Band Sweat Guide (adjustable) with 120872 and two each 1443W and 127784 .. |
| 120872 | 21046 | Cap Band Sweat Guide Adjusting Block for 120871..... |
| 120873 | 21046 | Visor Guide..... |
| 122419 | 21056 | Shuttle Cylinder Latch Spring for 13269.... |
| 125044 | 21045 | Crank Connecting Rod Oil Pad (felt) for 13002..... |
| 127784 | 21046 | Cap Band Sweat Guide Adjusting Block Screw Washer for 120871..... |
| 140219C | 21061 | Knee Lifter Rock Shaft Stop Dog Set Screw for 2770..... |
| 140732AL | 21045 | Arm Shaft Bushing (back) Set Screw..... |



21045-1/3

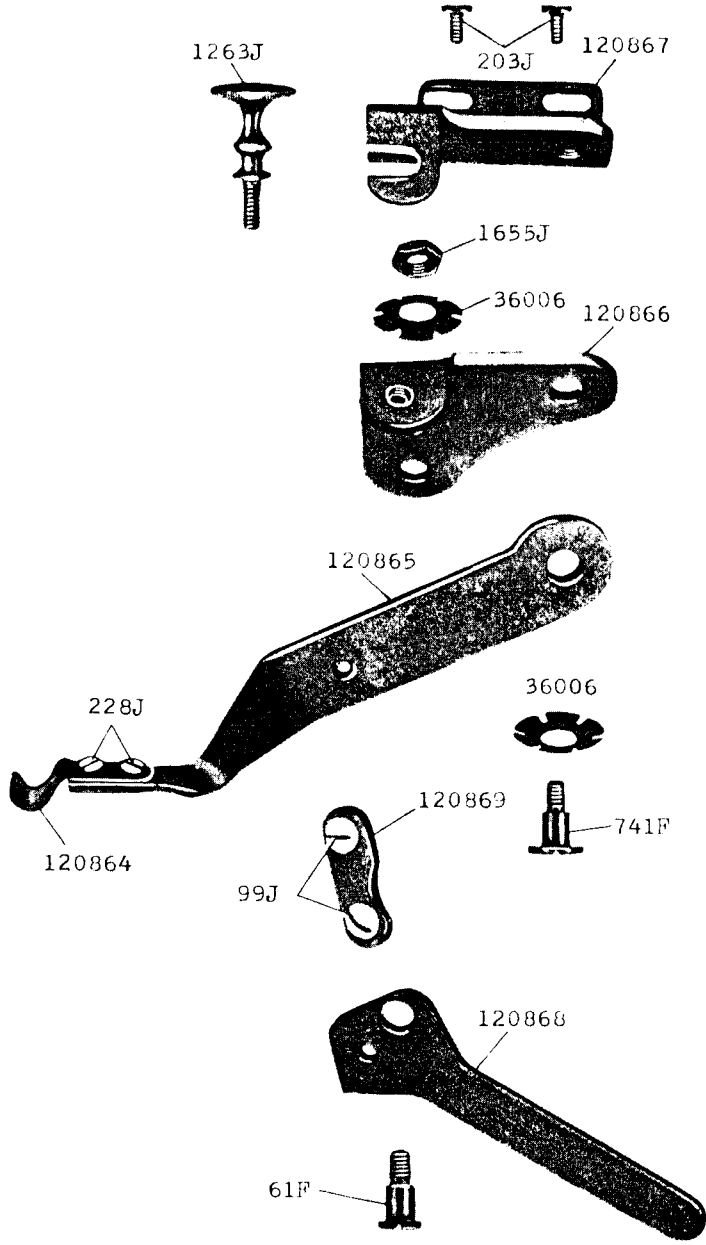


21046-2/3

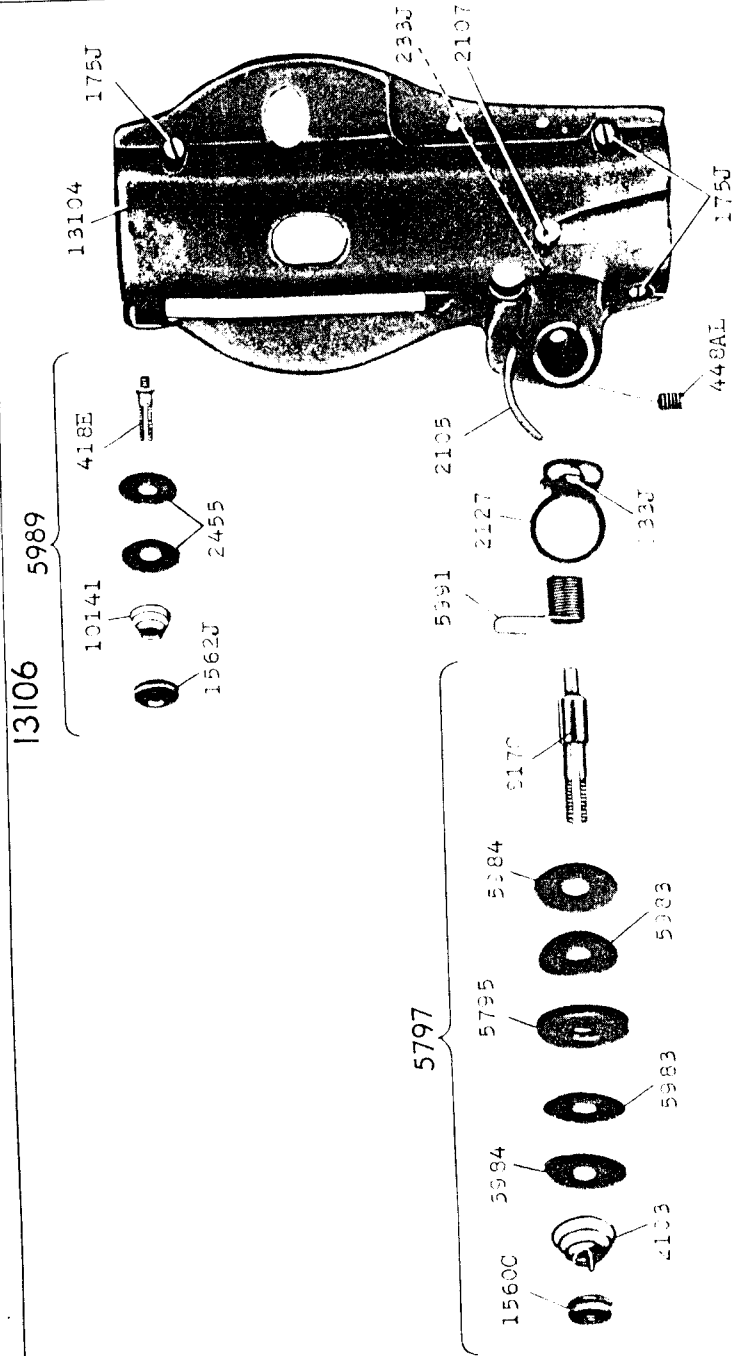


21047-2/3

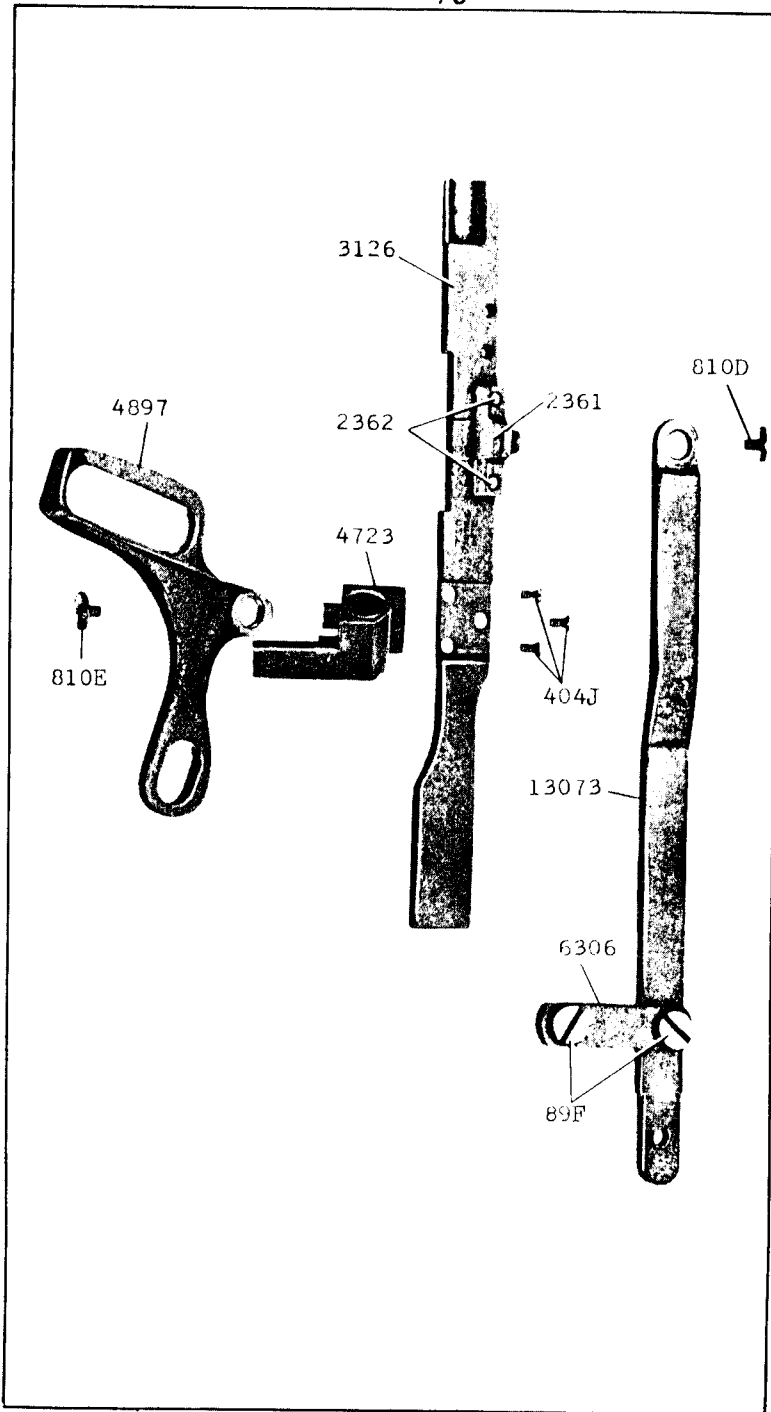
120870



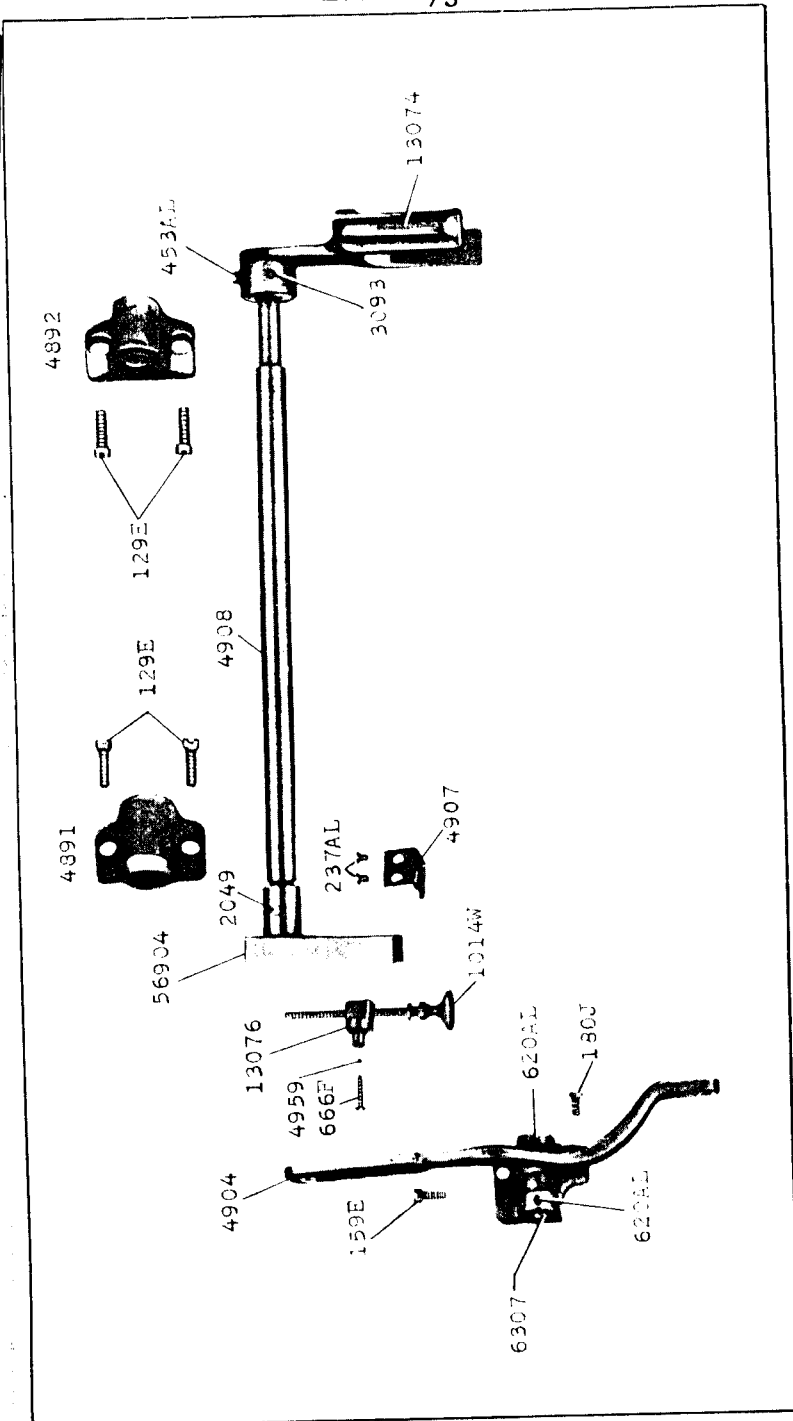
21048-1/2



21049-2/3



21050-1/3



21051-2/3

13107



217J



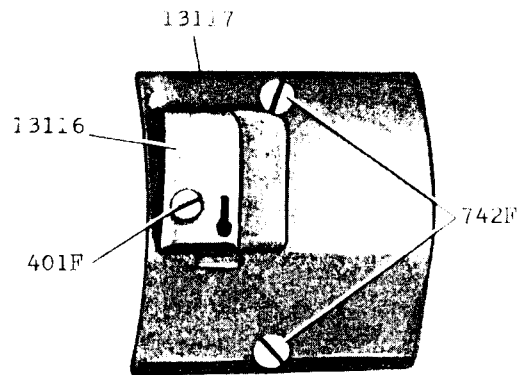
13108



193J



13118

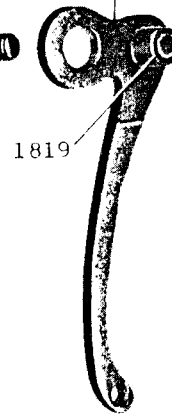


21052-2/3

1088C



5758

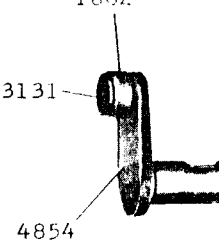


5465

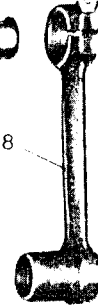


1862

3131



390E



4854

4898

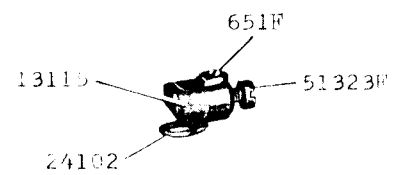
15472



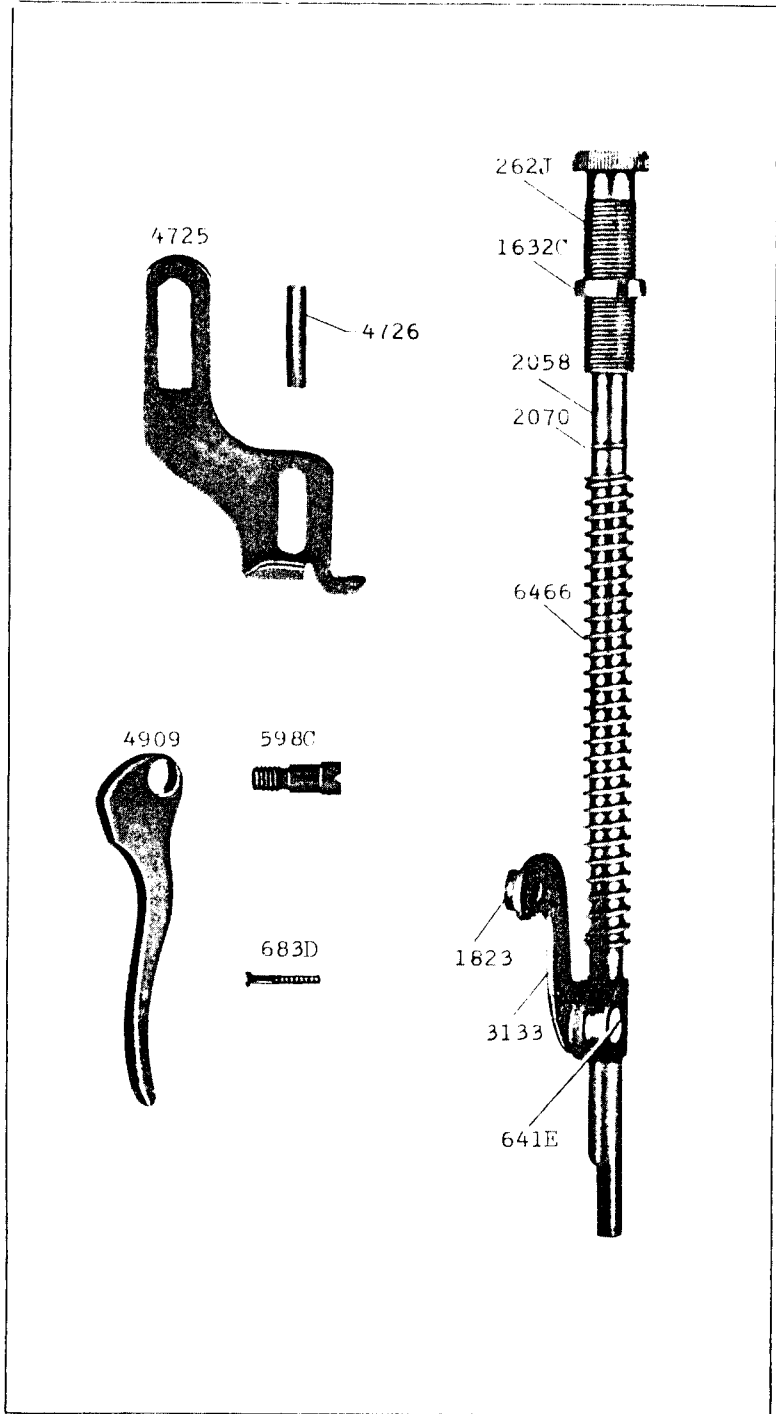
1550



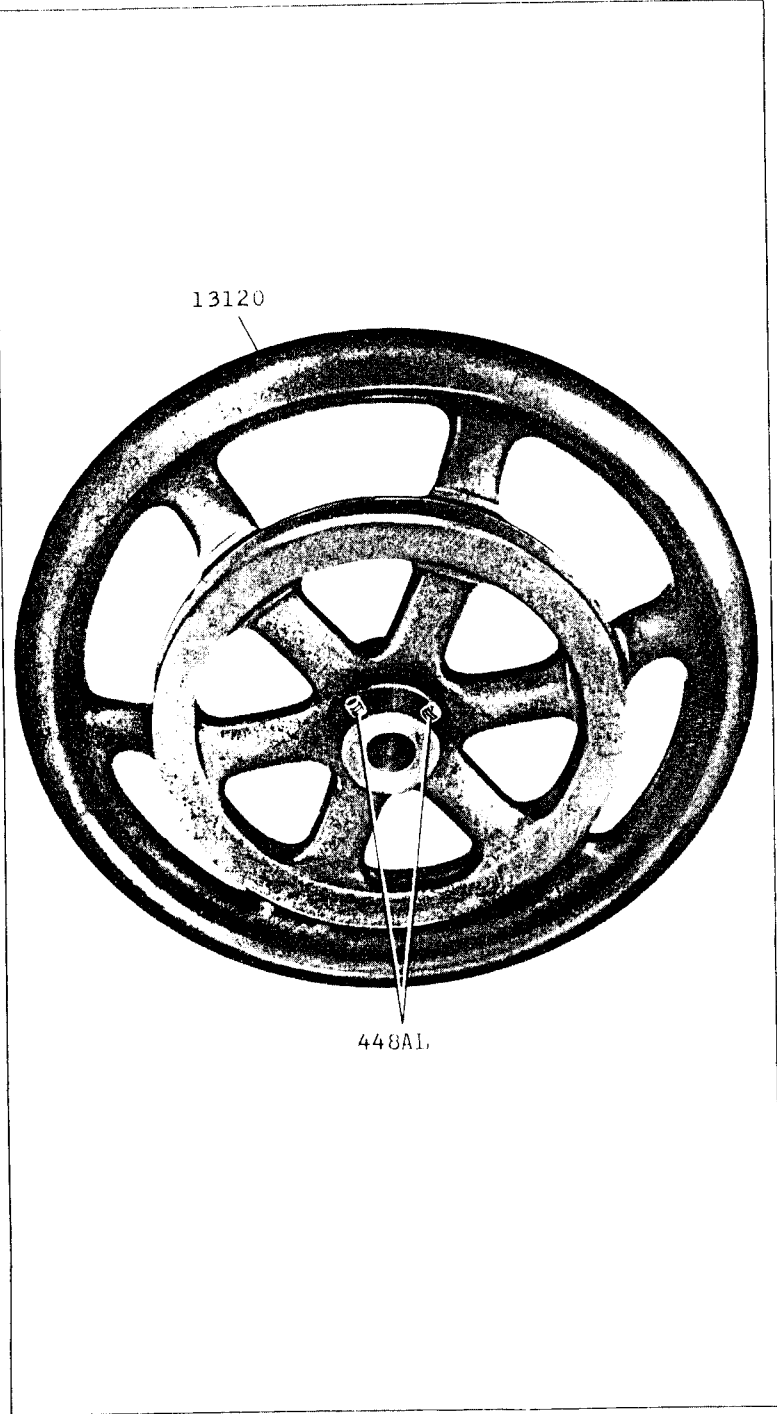
13113



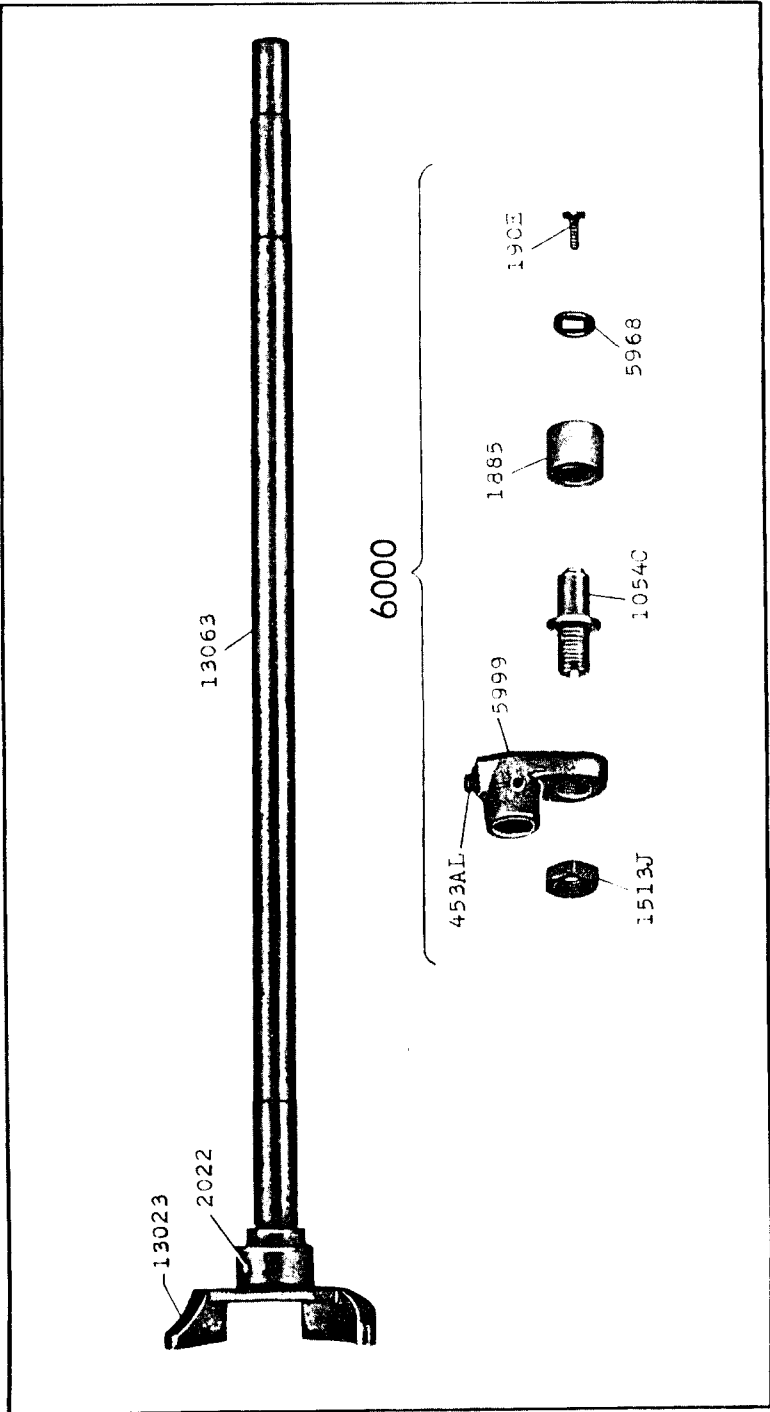
21053-2/3



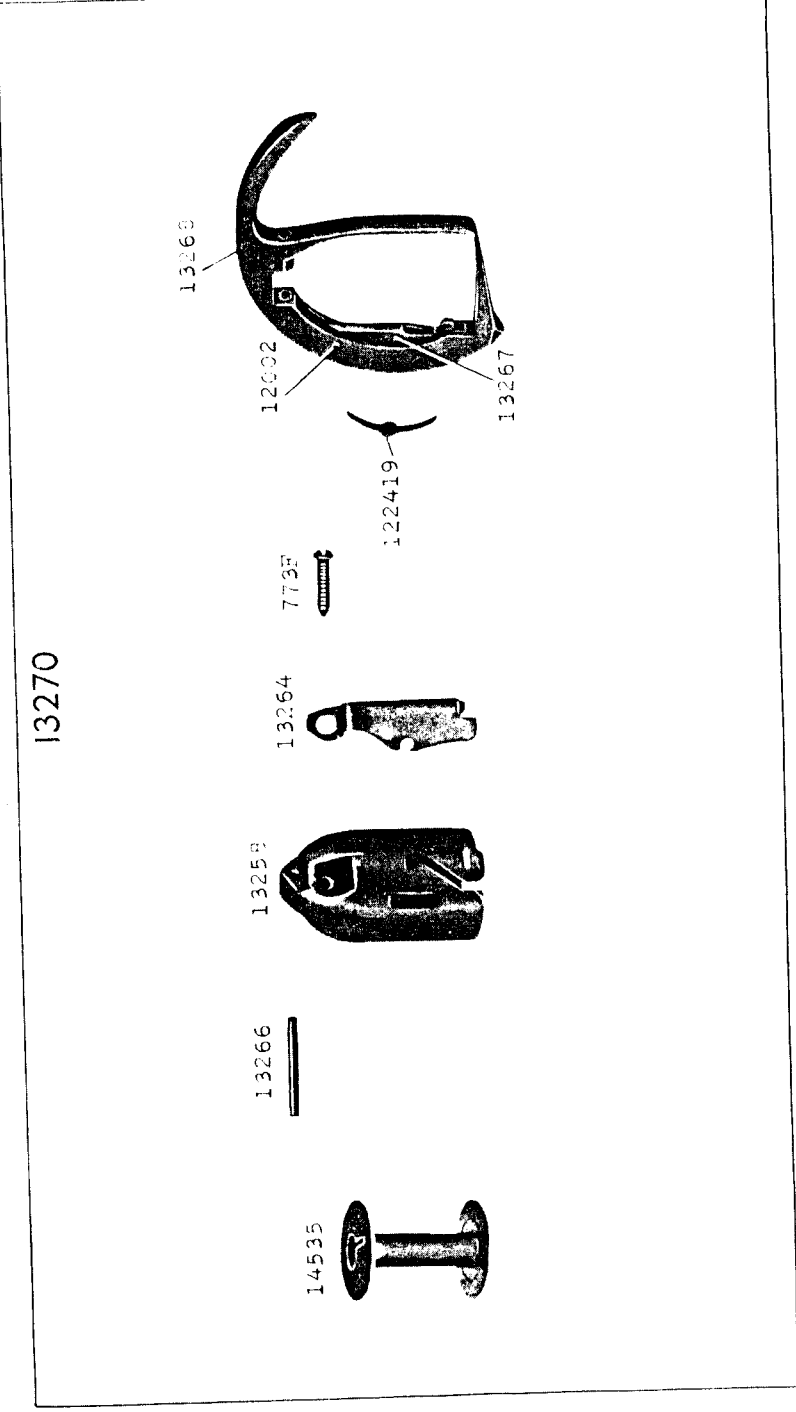
21054-1/2



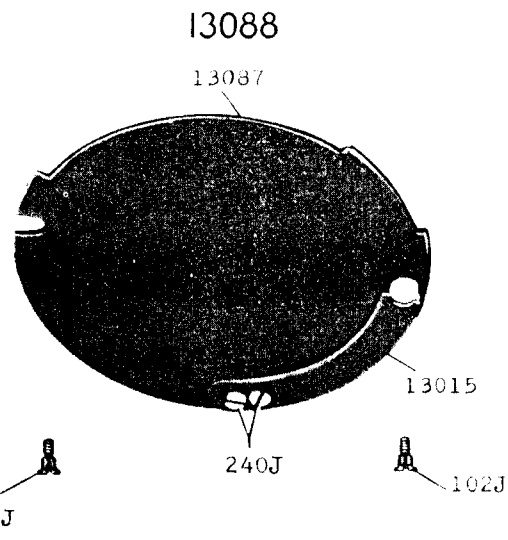
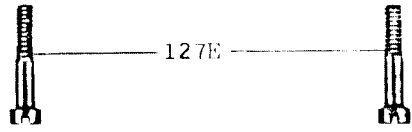
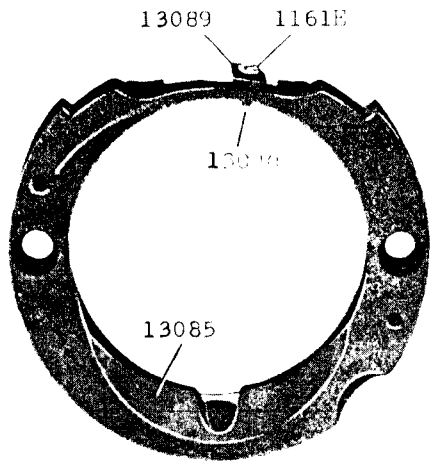
21055-1/2



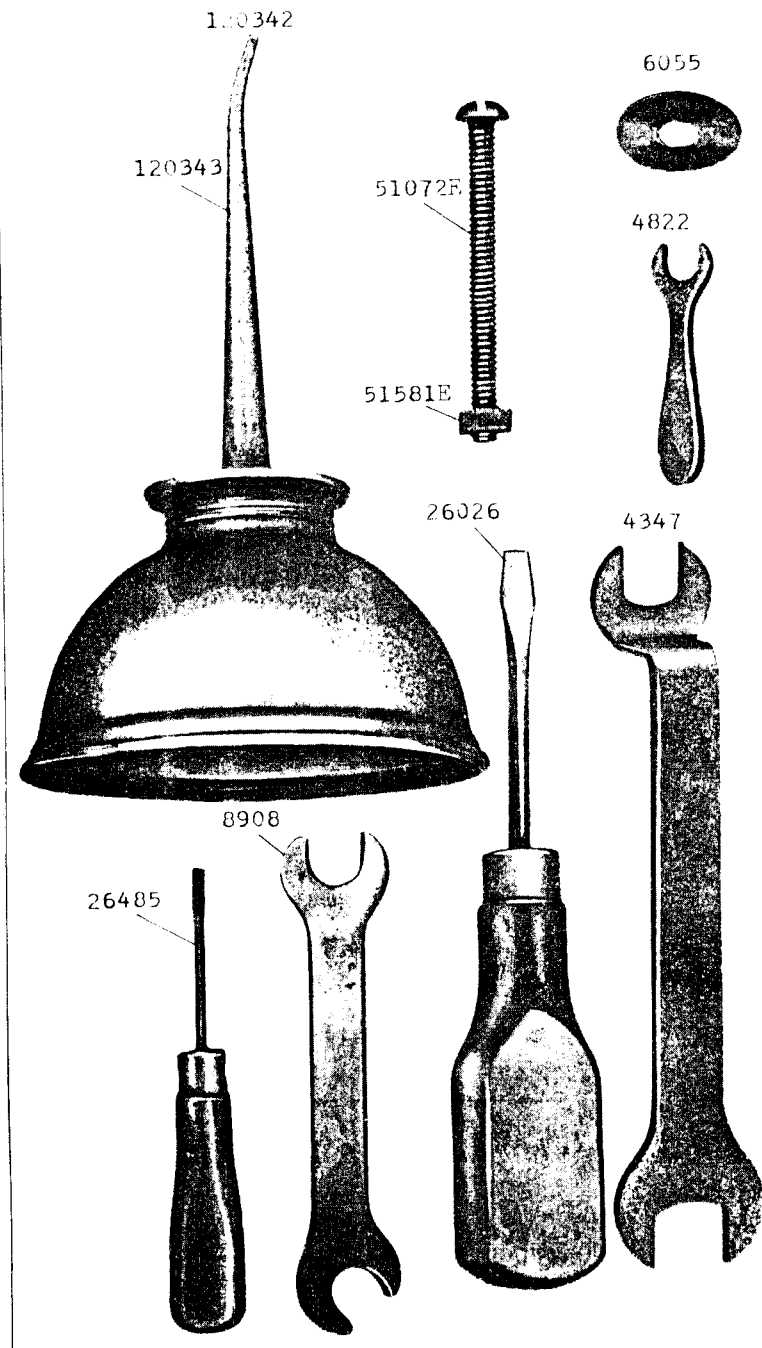
21056-2/3



21057-2/3

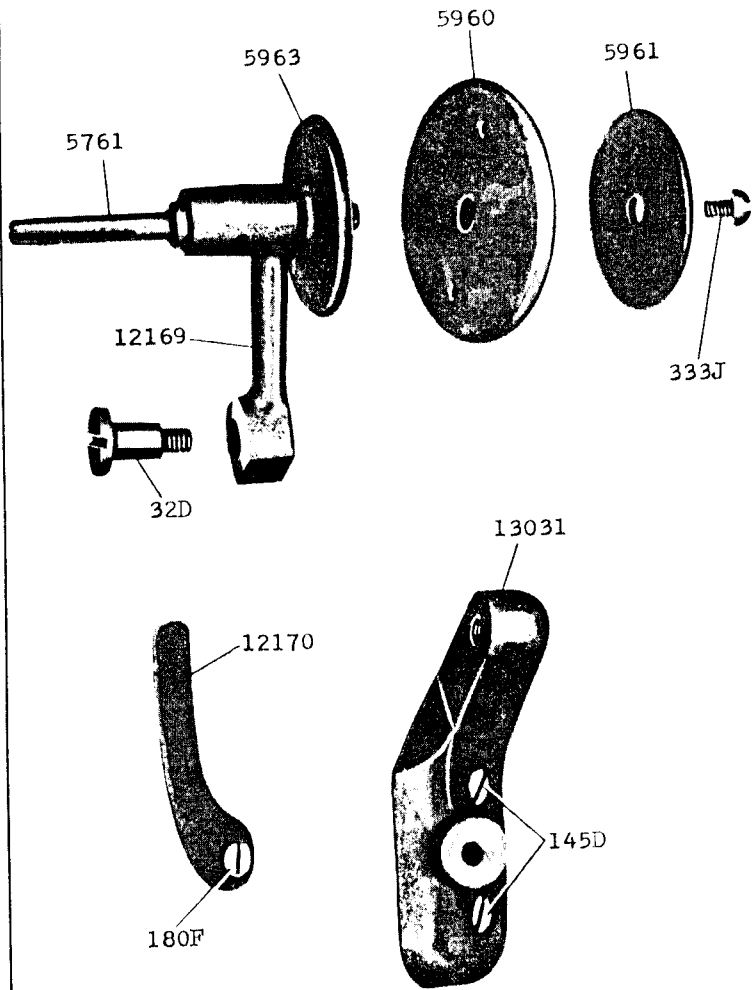


21058-2/3



21059-2/3

13032



21060-1/2

