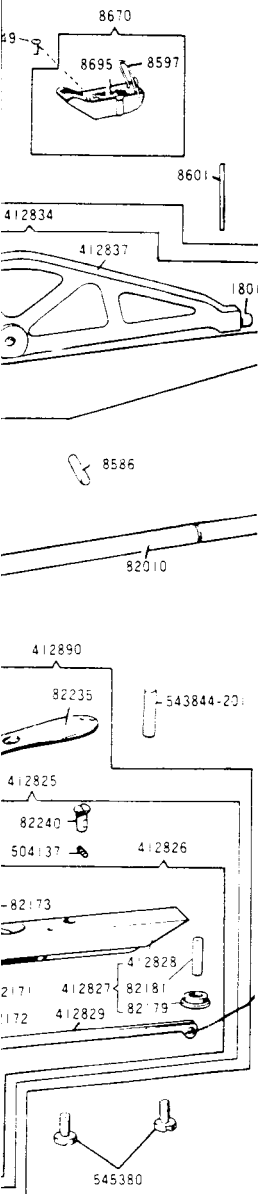


# MACHINE PARTS CHART for

# SINGER\*

29U 171A  
172A  
173A



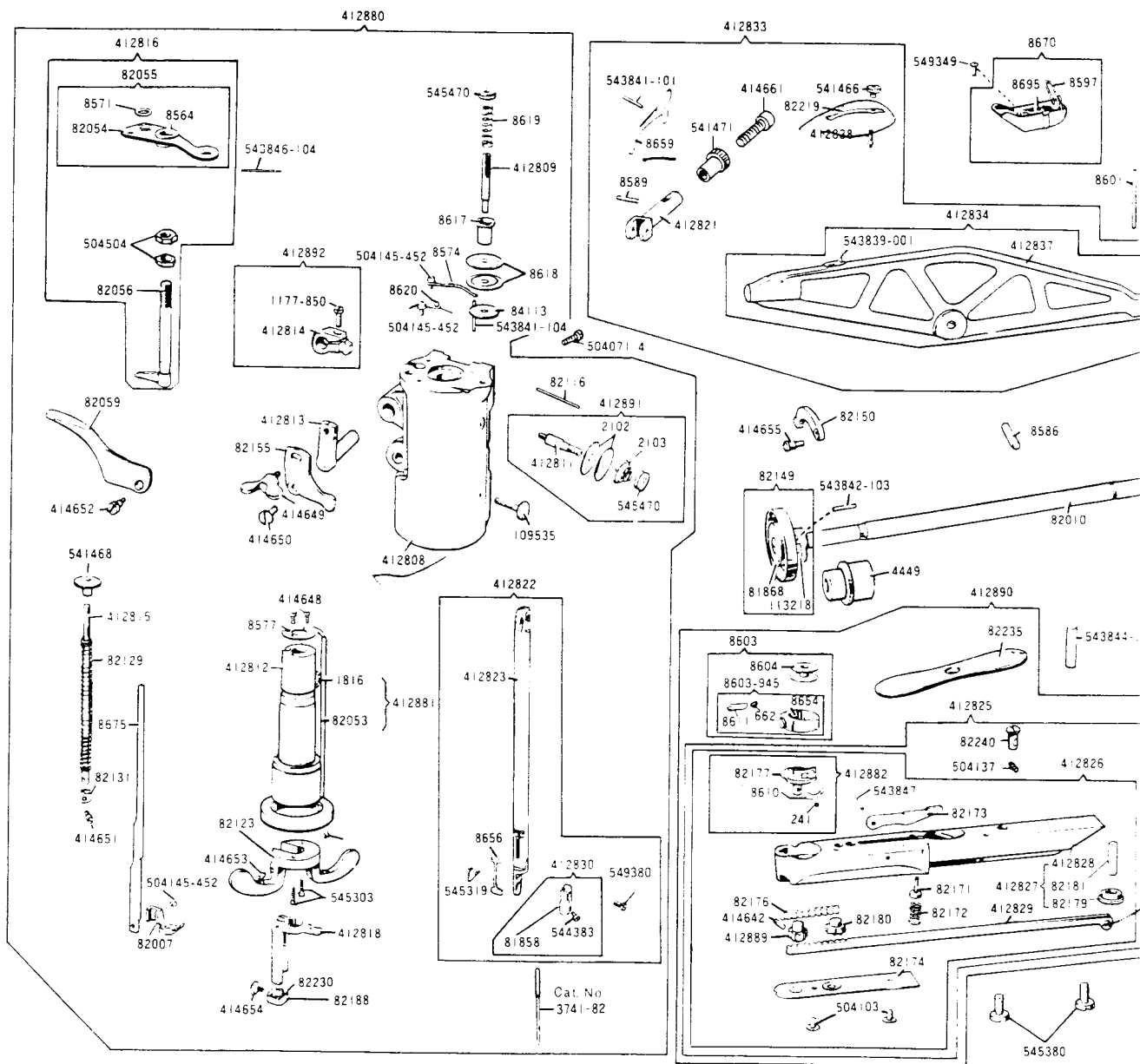
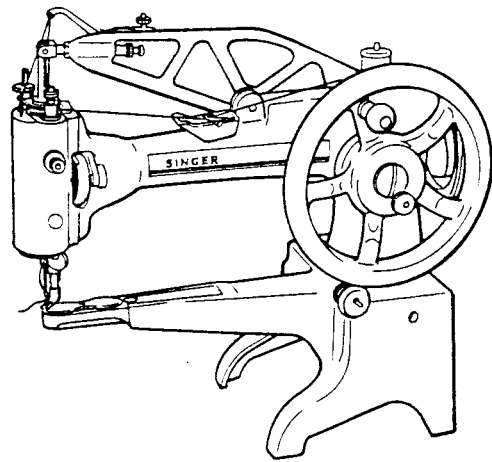
A, 173A M/C)  
A M/C)  
00,  
-005 (2)

ning Base to

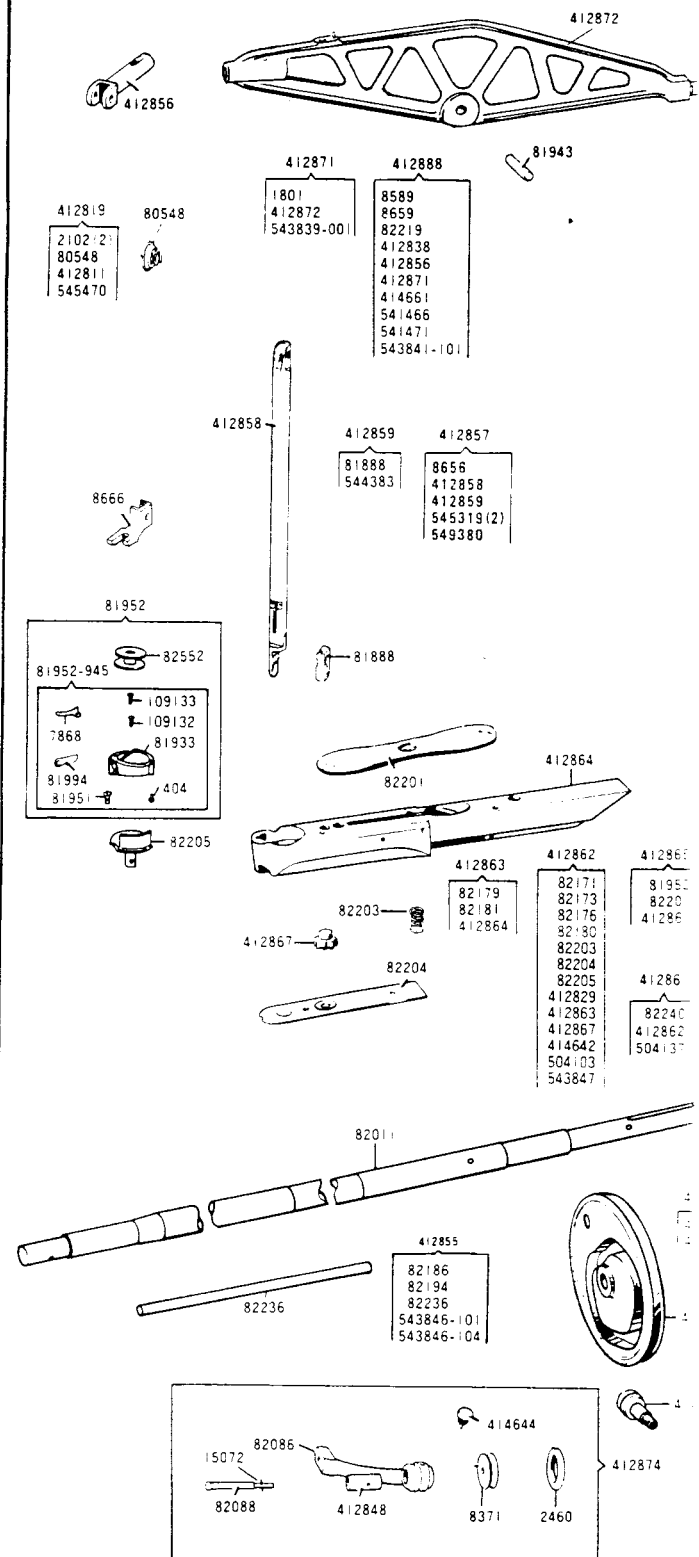
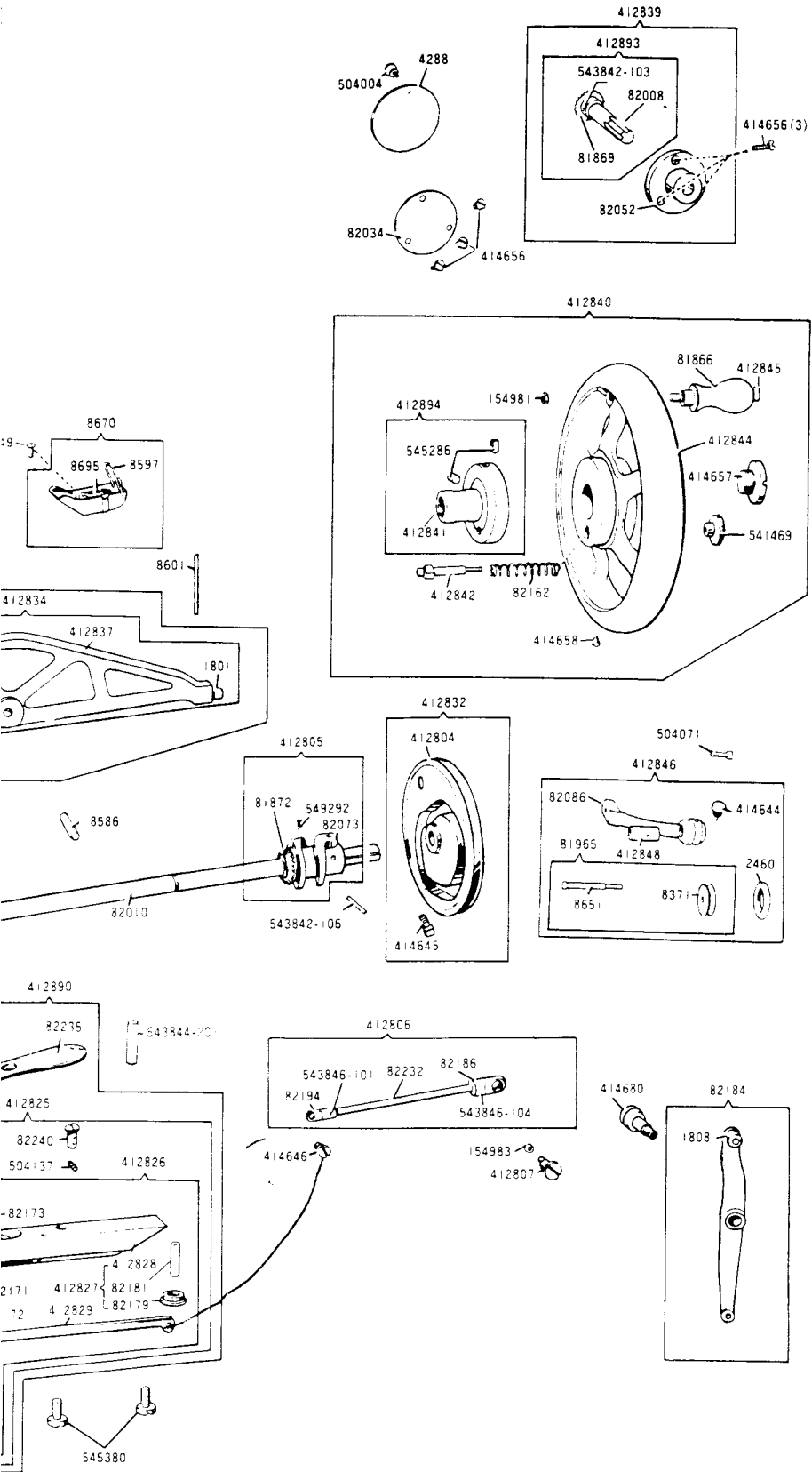
# SINGER

## 29

U171A  
172A  
173A

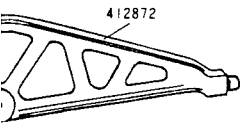


M/C. 29U172A PARTS WHICH DIFFER FROM M/C. 29U171

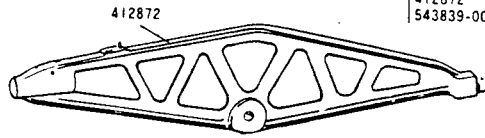


FER FROM M/C. 29U171A

M/C. 29U173A PARTS WHICH DIFFER FROM M/C. 29U171A

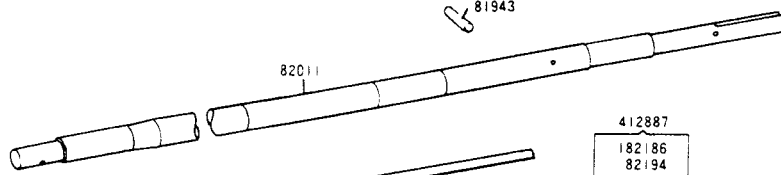
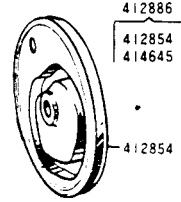


81943

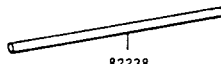


412871  
1801  
412872  
543839-001

412888  
8589  
8659  
82219  
412838  
412856  
412871  
414661  
541466  
541471  
543841-101



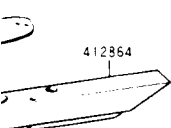
81943



412887  
182186  
82194  
82238  
543846-101  
543846-104

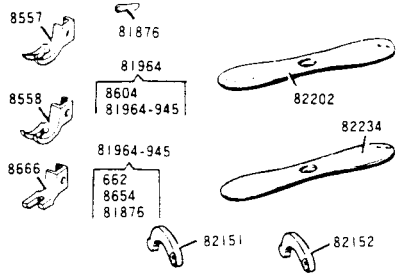


857  
58  
59  
19(2)  
80

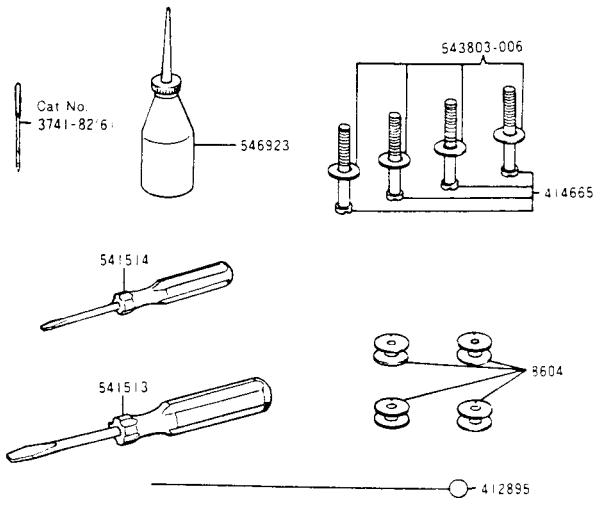


412863  
412862  
412865  
82171  
82173  
82176  
82180  
82203  
82204  
82205  
412829  
412863  
412867  
414642  
504103  
543847  
81952  
82201  
412861  
82240  
412862  
504137

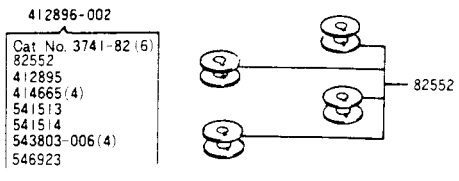
OPTIONAL PARTS



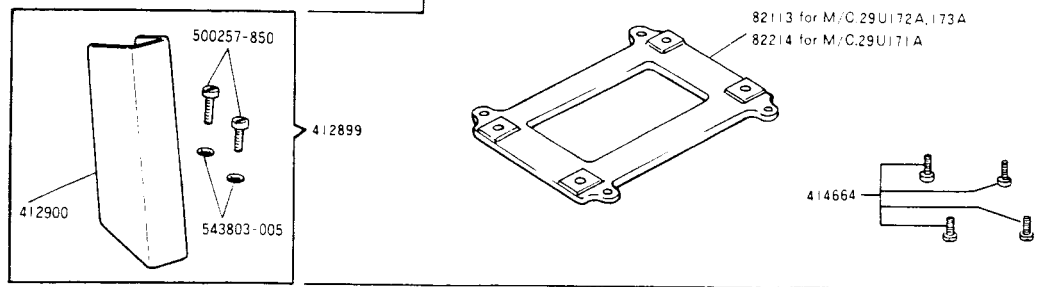
ACCESSORIES FOR M/C. 29U171A & 29U173A P.N.412896-001



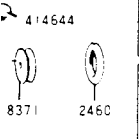
ACCESSORIES FOR M/C. 29U172A P/N.412896-002



OPTIONAL ACCESSORIES



01  
04



412874

NUMERICAL LIST OF PARTS FOR 200114 MACHINE

<u>Part No.</u>	<u>Description</u>	<u>Part No.</u>	<u>Description</u>
241	Shuttle Carrier Spring Screw	82173	Needle Plate Releasing Lever
662	Shuttle Tension Regulating Screw	82174	Pinion Cover Plate
1177-350	Vibrating Presser Lifting Lever Shaft Lever Clamping Screw	82176	Rack (Short)
1801	Needle Bar Driving Lever Cam Roller and Stud	82177	Shuttle Carrier
1808	Shuttle Driving Cam Roller and Stud	82179	Shuttle Carrier Driving Pinion Bushing
1816	Feed Motion Ring Slide Bar Roller and Stud	82180	Shuttle Carrier Following Pinion
2102	Tension (Side) Disc (2)	82181	Shuttle Carrier Following Pinion Stud
2103	Tension (Side) Spring	82184	Shuttle Driving Lever with 1808
2460	Bobbin Winder Spindle Pulley Rubber Ring	82186	Shuttle Driving Lever Connecting Rod End (Back)
4288	Arm Side Cover (Back)	82188	Stitch Regulator
4449	Shaft Bushing	82194	Shuttle Driving Lever Connecting Rod End (Front)
8371	Bobbin Winder Spindle Pulley	82219	Check Lever Tension Spring
8564	Foot Bar Revolving Joint	82230	Stitch Regulator Gib
8571	Foot Bar Revolving Joint Washer	82232	Shuttle Driving Lever Connecting Rod
8574	Head Revolving Bushing Friction Spring	82235	Needle Plate (Fine and Medium Needle Holes)
8577	Head Revolving Bush Supporting Washer	82240	Needle Plate Hinge Pin
8580	Needle Bar Driving Lever Joint Pin	84113	Tension (Top) Disc Washer (Leather)
8587	Needle Bar Piston Joint Pin	109535	Head Revolving Bush Stop Thumb Screw
8597	Oil Cup Spring	113218	Vibrating Presser Roller
8601	Spool Pin	154981	Hand Wheel Handle Spindle Nut
8603	Shuttle and Bobbin Complete 8603-945, 8604	154983	Shuttle Driving Lever Eccentric Stud Nut
8603-845	Shuttle Complete 8603, 8611, 8654	412804	Needle Bar Cam and Pulley Wheel
8604	Shuttle Bobbin	412805	Shuttle Driving Cam and Gear Complete 81871, 82071, 84300
8610	Shuttle Carrier Spring	412806	Shuttle Driving Lever Connecting Rod Complete 82186, 82194, 82232, 84384- 101, 84384-104
8611	Shuttle Tension Spring	412807	Shuttle Driving Lever Eccentric Stud
8617	Tension (Top) Cup (Release)	412808	Head of Machine
8618	Tension (Top) Disc (2)	412809	Tension (Top) Adjusting Stud
8619	Tension (Top) Spring	412810	Tension (Side) Adjusting Stud Complete (for Agent) 412811, 543470
8620	Thread Eyelete (Head of Arm)	412811	Tension (Side) Adjusting Stud
8651	Bobbin Winder Spindle	412812	Head Revolving Bush
8654	Shuttle Body	412813	Vibrating Presser Lifting Lever Shaft
8656	Needle Bar Thread Tension Spring	412814	Vibrating Presser Lifting Lever Shaft Lever
8659	Check Lever	412815	Vibrating Presser Spring Bar
8670	Oil Cup with 8659, Top	412816	Foot Bar Revolving Joint Complete 82055, 82056, 504504 (2)
8675	Foot Bar	412818	Feed Motion Bell Crank Lever
8695	Oil Cup Oil End (Feet)	412821	Needle Bar Piston Joint
81358	Needle Bar Clamp	412821	Needle Bar Complete 8656, 412823, 412824, 543319 (2), 543320
81366	Hand Wheel Handle	412825	Shuttle Driving Gear Box 412826 with 82240 & 82413
81368	Vibrating Presser Roller Pin	412826	Shuttle Driving Gear Box Complete 82171, 82172, 82173, 82174, 82175, 82176, 412827, 412828, 412829, 412830, 412832, 504103 (2), 543847
81369	Hand Wheel Shaft Gear	412827	Shuttle Driving Gear Box 412828 with 82179 & 82181
81372	Shuttle Driving Cam Gear	412828	Shuttle Driving Gear Box
81365	Bobbin Winder Spindle Complete (8371 & 8651) for Agent	412829	Rack (Long)
82007	Feeding Foot	412830	Needle Bar Clamp Complete 81358, 543323
82008	Hand Wheel Shaft	412831	Shuttle Driving Gear Box 412827 with 82240 & 82413 for Agent
82010	Shaft (Short)	412832	Needle Bar Cam and Pulley Wheel with 414615
82034	Arm Side Cover (Front)	412833	Needle Bar Driving Lever Complete 8580, 8650, 82219, 412821, 412826, 412828, 414621, 543826, 543871, 543884- 101
82052	Hand Wheel Hub	412834	Needle Bar Driving Lever (Body) Complete 1811, 412827, 543839-021
82053	Feed Motion Ring Slide Bar	412837	Needle Bar Driving Lever (Body)
82054	Foot Bar Revolving Joint Bearing	412838	Check Lever Tension Stud
82055	Foot Bar Revolving Joint Bearing Complete 8564, 8571, 82054	412839	Hand Wheel Hub Complete 80056, 412829
82056	Foot Bar Revolving Joint Slide Rod Lifter		
82073	Shuttle Driving Cam		
82086	Bobbin Winder Frame		
82116	Tension (Side) Thread Guide Pin		
82123	Head Revolving Bush Handle		
82129	Vibrating Presser Spring		
82131	Vibrating Presser Spring Bar Collar		
82149	Feed Motion Cam Wheel with 81869, 113218		
82150	Vibrating Presser Lifting Lever (for Medium Work)		
82155	Vibrating Presser Lifting Lever Shaft Adjusting Lever		
82171	Hand Wheel Stop Motion Plunger Spring		
82174	Needle Plate Locating Plunger		
82178	Needle Plate Locating Plunger Spring		

Part No.	Description
412840	Hand Wheel and Stop Motion Complete 31865, 82162, 154931, 412842, 412844, 412845, 412894, 41-557, 414658, 541469
412841	Hand Wheel Stop Motion Flanged Bushing
412842	Hand Wheel Stop Motion Plunger
412844	Hand Wheel
412845	Hand Wheel Handle Spindle
412846	Bobbin Winder Complete 2400, 3071, 3091, 82086, 412848, 414644
412848	Bobbin Winder Eccentric
412880	Head of Machine Complete 8574, 8577, 8617, 8618 (2), 8619, 8620, 8675, 82007, 82059, 82116, 82123, 82129, 82131, 82155, 82188, 82230, 84113, 109535, 412808, 412809, 412812, 412813, 412815, 412816, 412818, 412822, 412881, 412891, 412892, 414648 (2), 414649, 414650, 414651, 414652, 414653, 414654, 504145-452 (3), 541468, 5-2341-104, 543846-104, 545303 (2), 545470
412881	Feed Motion Ring Slide Bar Complete 1816, 32053
412882	Shuttle Carrier Complete 341, 3610, 82177
412889	Shuttle Carrier Driving Pinion
412890	Shuttle Driving Gear Box Complete 8603, 82235, 412825
412891	Tension (Side) Adjusting Stud Complete 2102 (2), 2103, 412811, 545470
412892	Vibrating Presser Lifting Lever Shaft Lever Complete 1177-350, 412811
412893	Hand Wheel Shaft Complete 31869, 82008, 543842-103
412894	Hand Wheel Stop Motion Flanged Bushing Complete 412841, 545286
414643	Shuttle Carrier Driving Pinion Screw
414644	Bobbin Winder Eccentric Thumb Screw
414645	Needle Bar Cam and Pulley Wheel Set Screw
414646	Shuttle Driving Lever Connecting Rod Hinge Screw
414648	Head Revolving Bush Supporting Washer Screw (2)
414649	Vibrating Presser Lifting Lever Shaft Adjusting Lever Clamping Screw
414650	Vibrating Presser Lifting Lever Shaft Adjusting Lever Hinge Screw
414651	Vibrating Presser Spring Bar Collar Screw
414652	Lifter Hinge Screw
414653	Feed Motion Bell Crank Lever Joint Screw (2)
414654	Stitch Regulator Thumb Screw
414655	Vibration Presser Lifting Lever Screw
414656	Arm Side Cover (Front) Screw (3)
414658	Hand Wheel Hub Screw (3)
414657	Hand Wheel Retaining Screw
414658	Hand Wheel Stop Motion Plunger Stop Screw
414661	Check Lever Thread Take-up Adjusting Screw
414680	Shuttle Driving Lever Bearing Screw
504304	Arm Side Cover (Back) Thumb Screw
504371	Head Binding Screw (4)
504371	Bobbin Winder Frame Screw
504103	Pinion Cover Plate Screw (2)
504137	Needle Plate Hinge Pin Binding Screw
504145-452	Thread Eyelet Screw
504145-452	Head Revolving Bush Friction Spring Screw
504145-452	Feeding Foot Screw
504304	Foot Bar Revolving Joint Slide Rod Lock Nut (Lower)
504304	Foot Bar Revolving Joint Slide Rod Lock Nut (Lower)

Part No.	Description
51466	Check Lever Tension Stud Nut
51468	Vibrating Presser Spring Bar Adjusting Nut
541469	Hand Wheel Stop Motion Plunger Thumb Nut
541471	Check Lever Thread Take-up Adjusting Screw Lock Nut
543839-001	Check Lever Spring Steady Pin
543841-101	Check Lever Joint Pin
543841-104	Head Revolving Bush Friction Spring Pin
543842-103	Feed Motion Cam Wheel Pin
543842-103	Hand Wheel Shaft Gear Pin
543842-106	Needle Bar Cam and Pulley Wheel Pin
543842-106	Shuttle Driving Cam Gear Pin
543844-201	Shuttle Driving Gear Box Position Pin
543846-101	Shuttle Driving Lever Connecting Rod End Pin (Front)
543846-104	Shuttle Driving Lever Connecting Rod End Pin (Back)
543846-104	Foot Bar Revolving Joint Hinge Pin
543847	Needle Plate Releasing Lever Hinge Pin
544383	Needle Bar Needle Clamping Screw
545286	Hand Wheel Stop Motion Flanged Bushing Binding Screw (3)
545303	Head Revolving Bush Handle Screw (2)
545319	Needle Bar Thread Tension Spring Screw (2)
545380	Shuttle Driving Gear Box Screw (2)
545470	Tension (Top) Adjusting Stud Thumb Nut
545470	Tension (Side) Adjusting Stud Thumb Nut
549328	Shuttle Driving Cam Gear Set Screw
549349	Oil Cup Screw
549380	Needle Bar Clamp Screw

SUPPLEMENTARY PARTS LIST FOR 290172A MACHINE  
(Same as the complete list for 290172A with the following exceptions)

PARTS ADDED

404	Shuttle Thread Pull-off Screw
7868	Shuttle Bobbin Retaining Springs
3666	Feeding Foot (for Waxed Thread)
80548	Tension (Side) Spring
81888	Needle Bar Clamp
81943	Needle Bar Driving Lever Joint Pin
81951	Shuttle Thread Pull-off
81952	Shuttle and Bobbin Complete 81950-81951, 82552
81952-945	Shuttle Complete 404, 7868, 81951, 81993, 81994, 109132, 109133
81993	Shuttle Body
81994	Shuttle Tension Springs
82211	Shaft (Lower)
82283	Bobbin Winder Spindle with 15072
82289	Bobbin Winder Spindle Complete (8371 & 82288) for Arent
82201	Needle Plate (Fine and Medium Needle Holes)
82203	Needle Plate Locating Plunger Spring
82204	Pinion Cover Plate
82205	Shuttle Carrier
82216	Shuttle Driving Lever Connecting Rod
82552	Shuttle Bobbin
109132	Shuttle Tension Regulating Screw
109133	Shuttle Bobbin Retaining Spring Screw
412819	Tension (Side) Adjusting Stud Complete 2102 (2), 80548, 412811, 545470
412854	Needle Bar Cam and Pulley Wheel
412855	Shuttle Driving Lever Connecting Rod Complete 82136, 82194, 82236, 543846- 101, 543846-104
412856	Needle Bar Hinge Joint

Part No.	Description	Part No.	Description
412857	Needle Bar Complete 8656, 412858, 412859, 545319 (2), 549380	412822	Needle Bar Complete 8656, 412823, 412830, 545319 (2), 549380
412858	Needle Bar	412823	Needle Bar
412859	Needle Bar Clamp Complete 81888, 544383	412825	Shuttle Driving Gear Box 412826 with 82240 & 504137
412861	Shuttle Driving Gear Box 412862 with 82240 & 504137	412826	Shuttle Driving Gear Box Complete 82171, 82172, 82173, 82174, 82176, 82180, 412827, 412829, 412882, 412889, 414642, 504103 (2), 543847
412862	Shuttle Driving Gear Box Complete 82171, 82173, 82176, 82180, 82203, 82204, 82205, 412829, 412863, 412867, 414642, 504103 (2), 543847	412827	Shuttle Driving Gear Box 412828 with 82179 & 82181
412863	Shuttle Driving Gear Box 412864 with 82179 & 82181	412828	Shuttle Driving Gear Box
412864	Shuttle Driving Gear Box	412830	Needle Bar Clamp Complete 81858, 544383
412865	Shuttle Driving Gear Box Complete 82201, 81952, 412861	412831	Shuttle Driving Gear Box 412827 with 82240 & 504137
412866	Shuttle Driving Gear Box 412863 with 82240 & 504137	412832	Needle Bar Cam and Pulley Wheel with 414645
412867	Shuttle Carrier Driving Finion	412833	Needle Bar Driving Lever Complete 8589, 8659, 82219, 412821, 412834, 412838, 414661, 541466, 541471, 543841-101
412871	Needle Bar Driving Lever (Body) Complete 1801, 414872, 543839-001	412834	Needle Bar Driving Lever (Body) Complete 1801, 412837, 543839-001
412872	Needle Bar Driving Lever (Body)	412837	Needle Bar Driving Lever (Body)
412874	Bobbin Winder Complete 2460, 8371, 15072, 82086, 82088, 82089, 412842, 414644	412846	Bobbin Winder Complete 2460, 3371, 3651, 82086, 412848, 414644
412879	Head of Machine Complete 8574, 8577, 8617, 8618 (2), 8619, 8620, 8666, 8675, 82059, 82116, 82123, 82129, 82131, 82155, 82188, 82230, 84113, 109535, 412808, 412809, 412812, 412813, 412815, 412816, 412818, 412819, 412857, 412881, 412892, 414643 (2), 414649, 414650, 414651, 414652, 414653, 414654, 504145-452 (3), 541468, 543841-004, 543846-104, 545303 (2), 545470	412880	Head of Machine Complete 8574, 8577, 8617, 8618 (2), 8619, 8620, 8675, 82007, 82059, 82116, 82123, 82129, 82131, 82155, 82188, 82230, 84113, 109535, 412808, 412809, 412812, 412813, 412815, 412816, 412818, 412822, 412891, 412892, 414643 (2), 414649, 414650, 414651, 414652, 414653, 414654, 504145-452 (3), 541468, 543841-004, 543846-104, 545303 (2), 545470
412886	Needle Bar Cam and Pulley Wheel with 414645	412882	Shuttle Carrier Complete 241, 8610, 82177
412888	Needle Bar Driving Lever Complete 8589, 8659, 82219, 412838, 412856, 412871, 414661, 541466, 541471, 543841-101	412889	Shuttle Carrier Driving Finion
414640	Shuttle Driving Lever Bearing Screw	412890	Shuttle Driving Gear Box Complete 8603, 82235, 412825
		412891	Tension (Side) Adjusting Stud Complete 2102 (2), 2103, 412811, 545470
		414680	Shuttle Driving Lever Bearing Screw

PARTS REMOVED

241	Shuttle Carrier Spring Screw
662	Shuttle Tension Regulating Screw
8113	Tension (Side) Spring
8586	Needle Bar Driving Lever Joint Pin
8603	Shuttle and Bobbin Complete 8603-845, 8604
8603-845	Shuttle Complete 662, 8611, 8654
8604	Shuttle Bobbin
8610	Shuttle Carrier Spring
8611	Shuttle Tension Spring
8651	Bobbin Winder Spindle
8654	Shuttle Body
81858	Needle Bar Clamp
81965	Bobbin Winder Spindle Complete (8371 & 3651) for Agent
82007	Feeding Foot
82010	Shaft (Short)
82172	Needle Plate Locating Plunger Spring
82174	Finion Cover Plate
82177	Shuttle Carrier
82179	Shuttle Driving Lever Connecting Rod
82235	Needle Plate (Fine and Medium Needle Holes)
412824	Needle Bar Cam and Pulley Wheel
412826	Shuttle Driving Lever Connecting Rod Complete 82136, 82194, 82236, 543846-101, 545303-104
412821	Needle Bar Piston Joint

SUPPLEMENTARY PARTS LIST FOR 29UL73A MACHINE

(Same as the complete list for 29UL71A with the following exceptions)

PARTS ADDED

81934	Needle Bar Driving Lever Joint Pin
82011	Shaft (Long)
82238	Shuttle Driving Lever Connecting Rod
412854	Needle Bar Cam and Pulley Wheel
412856	Needle Bar Piston Joint
412871	Needle Bar Driving Lever (Body) Complete 1801, 412872, 543839-001
412872	Needle Bar Driving Lever (Body)
412886	Needle Bar Cam and Pulley Wheel with 414645
412887	Shuttle Driving Lever Connecting Rod Complete 82136, 82194, 82236, 543846-101, 543846-104
412888	Needle Bar Driving Lever Complete 8589, 8659, 82219, 412821, 412834, 412838, 414661, 541466, 541471, 543841-101
414640	Shuttle Driving Lever Bearing Screw

<u>Part No.</u>	<u>Description</u>	<u>Part No.</u>	<u>Description</u>
<u>PARTS REMOVED</u>		<u>OPTIONAL ACCESSORIES</u>	
Lever	8586 Needle Bar Driving Lever Joint Pin	82113 Machine Base (for 29U172A, 173A M/C)	
	82010 Shaft (Short)	82214 Machine Base (for 29U171A M/C)	
	82232 Shuttle Driving Lever Connecting Rod	412899 Belt Guard Complete 412900,	
	412804 Needle Bar Cam and Pulley Wheel	500257-850 (2), 543803-005 (2)	
	412806 Shuttle Driving Lever Connecting Rod	412900 Belt Guard	
	Complete 82186, 82194, 82232, 543846-	414664 Machine Screw (for Fastening Base to	
	101, 543846-104	Machine) (4)	
	412821 Needle Bar Piston Joint	500257-850 Belt Guard Screw (2)	
	412832 Needle Bar Cam and Pulley Wheel with	543803-005 Belt Guard Washer (2)	
	414645		
	412833 Needle Bar Driving Lever Complete		
	8589, 8659, 82219, 412821, 412834,		
	412838, 414661, 541466, 541471,		
	543841-101		
	412834 Needle Bar Driving Lever (Body) Complete		
	1801, 412837, 543839-001		
	412837 Needle Bar Driving Lever (Body)		
	414680 Shuttle Driving Lever Bearing Screw		

OPTIONAL PARTS

	662 Shuttle Tension Regulating Screw
	8557 Feeding Foot (Narrow Fork, Fine)
	8558 Feeding Foot (Narrow Fork, Coarse)
	8604 Shuttle Bobbin
	8654 Shuttle Body
	8666 Feeding Foot (for Waxed Thread)
	81966 Shuttle Tension Spring (Heavy) (for
	29U171A, 173A M/C)
	81964 Shuttle and Bobbin Complete (for Heavy
	Work) (for 29U171A, 173A M/C)
	81964-945 Shuttle Complete (for Heavy Work)
	82151 Vibrating Presser Lifting Lever (for
	Light Work)
	82152 Vibrating Presser Lifting Lever (for
	Heavy Work)
	82202 Needle Plate (Medium and Coarse Needle
	Holes) (for 29U172A M/C)
	82234 Needle Plate (Medium and Coarse Needle
	Holes) (for 29U171A, 173A M/C)

ACCESSORIES FOR 29U171A AND 29U173A MACHINES

Lever	Cat.No.	Needle (29 X 4) #13 (6)
	3741-82	
	8604	Shuttle Bobbin (for #8603-945) (for
		29U171A, 173A M/C) (4)
	412895	Needle Bar Threading Wire
	412896-001	Accessories (for 29U171 & 173 M/C)
	414665	Machine Screw (for Fastening Machine to
		Power Table) (4)
	541513	Screw Driver (Large)
	541514	Screw Driver (Small)
	543803-006	Machine Screw Washer (4)
	546923	Oiler (Filled with 130 cc Singer Type
		"B" Oil)

ACCESSORIES FOR 29U172A MACHINE

Lever	Cat.No.	Needle (29 X 4) #13 (6)
	3741-82	
	82552	Shuttle Bobbin (for #81952) (for
		29U172A M/C) (4)
	412895	Needle Bar Threading Wire
	412896-002	Accessories (for 29U172A M/C)
	414665	Machine Screw (for Fastening Machine to
		Power Table) (4)
	541513	Screw Driver (Large)
	541514	Screw Driver (Small)
	543803-006	Machine Screw Washer (4)
	546923	Oilier (Filled with 130 cc Singer Type
		"B" Oil)