

Form 1785w  
June, 1921

HISTORICAL COPY  
DO NOT REMOVE

**LIST**  
OF  
**PARTS**



**MACHINE No. 23-20**

---

**THE SINGER MANUFACTURING COMPANY**

COPYRIGHT, U. S. A., 1921, BY THE SINGER MANUFACTURING CO.  
ALL RIGHTS RESERVED FOR ALL COUNTRIES

## INDEX

---

	PAGE
ACCESSORIES .....	18
CLAMP PARTS .....	19
MACHINE No. 23-20 .....	7
NUMERICAL LIST OF PARTS .....	23
OBSOLETE PARTS .....	21
TABLE BELT GUIDE .....	18

## INSTRUCTIONS FOR ORDERING

In ordering from this list, use **ONLY** the part NUMBER in the **FIRST** column.

The number stamped on a Sewing Machine part is in every case the number of the single part only.

Every combination of parts sent out as such has its specific number, which, although not stamped on the parts, must be used when ordering the combination.

Each number always indicates the **SAME PART** in whatever list it appears, or for whatever machine.

The letters after some of the numbers indicate the style of finish only, as follows:

- A. Hardened, Polished and Plated.
- B. Polished and Plated
- C. Hardened only.
- D. Polished only.
- E. Soft, not Polished.
- F. Hardened and Polished.
- G.
- H. Blued
- J. Plated only.
- K. Hardened and Plated.
- L. Brass or Gilt.
- M. Oxidized.
- P. Japanned.
- R. Parkerized.

These letters **MUST BE USED** when they appear in the list, and **AFTER** the number as in the list.

In this series

1 to 1500 and 50001 to 51500 are Screw Numbers.

1501 to 1800 are Nut Numbers.

1801 to 2000 are Roller Numbers.

2001 to 50000 and 52001 and upward are numbers of Machine Parts.

The figures in the second column refer only to the plates, illustrating the parts, and are **NOT TO BE USED** in ordering.

Parts marked with an asterisk (\*) are furnished only when repairs are made at factory.

## LIST OF PARTS COMPLETE

FOR

## MACHINE No. 23-20

For Clothing

Makes two inch buttonholes. Has cutting and straight barring attachments.

No.	Plate	Name
*10892	—	Arm with 771D and 10008 .....
8582	1798	" Dowel Pin (2) .....
118E	1797	" Screw (3) .....
10002	4781	" Shaft (horizontal) .....
18820	4784	" " " Gear with 453c .....
2117	1798	" " " " Pin .....
453C	1799	" " " " Set Screw .....
144D	1797	" " " " Screw .....
10005	4781	" " (upright) .....
18821	4784	" " " Gear with 453c .....
2117	1798	" " " " Pin .....
453C	1799	" " " " Set Screw .....
*10008	—	" Side Plate .....
771D	1797	" " " Thumb Screw .....
10217	4782	Barring Lever .....
10218	4784	" " Cap .....
176D	1799	" " " Screw (2) .....
10219	4784	" " Clutch .....
217F	1799	" " " Adjusting Screw .....
		(2) .....
10220	4784	Barring Lever Clutch Lever .....
100D	1799	" " " " Hinge .....
		Screw .....
10222	4784	Barring Lever Clutch Lever Yielding .....
		Connection with 10251 .....
91F	1799	Barring Lever Clutch Lever Yielding .....
		Connection Guide Screw .....
106D	1799	Barring Lever Clutch Lever Yielding .....
		Connection Hinge Screw .....
10223	1799	Barring Lever Clutch Lever Yielding .....
		Connection Spring .....
10251	1799	Barring Lever Clutch Lever Yielding .....
		Connection Spring Hook .....
233D	1799	Barring Lever Clutch Lever Yielding .....
		Connection Spring Screw .....

## Parts for Machine No. 23-20

No.	Plate	Name
*10894	—	Bed .....
18640	4781	" Plate with 18620, 18621 and four 405E .....
18815	—	Bed Plate 18640 with 18797, 18798 and four 231c .....
18816	—	Bed Plate complete, Nos. 10024, 10637, 18589, 18815 and three 405E ....
10637	4784	Bed Plate Button .....
405E	1799	" " " Screw .....
18589	4784	" " " Slide .....
10307	4782	" " " " Connection with 10136 .....
10309	1798	Bed Plate Button Slide Connection Spring .....
10136	1798	Bed Plate Button Slide Connection Spring Hook (2) .....
214D	1797	Bed Plate Button Slide Connection Stop Screw .....
10020	1796	Bed Plate Clamp Guide Slide with 1827 .....
10021	1796	Bed Plate Clamp Guide Slide Guide 399F 1799 " " " " " " " " Screw .....
1827	1798	Bed Plate Clamp Guide Slide Roller and Stud .....
10023	1796	Bed Plate Clamp Guide Slide Spring 10022 1798 " " " " " " " " Stop Stud .....
10024	1796	Bed Plate Clamp Guide complete, Nos. 10020, 10022, 10023, two 10021 and four 399F .....
18797	4784	Bed Plate Clamp Stop (left) with 18752 .....
18798	4784	Bed Plate Clamp Stop (right) with 18752 .....
231c	1797	Bed Plate Clamp Stop Screw .....
18752	1798	" " " " Stud .....
10461	1798	" " Dowel Pin (2) .....
18620	4783	" " Protector (left), for 1/2 to 1 in. and 2 in. buttonholes .....
18621	4783	Bed Plate Protector (right), for 1/2 to 1 in. and 2 in. buttonholes .....
405E	1799	Bed Plate Protector Screw .....
389F	1799	" " Screw (4) .....
10763	4783	Clamp Arm (lower, left) .....
10762	4783	" " (lower, right) .....
10156	1796	" " (lower) Front Guide (left) .....

## Parts for Machine No. 23-20

No.	Plate	Name
10155	1796	Clamp Arm (lower) Front Guide (right) .....
10157	1798	Clamp Arm (lower) Front Guide Dowel Pin .....
402D	1799	Clamp Arm (lower) Front Guide Screw .....
10159	1796	Clamp Arm (lower) Rear Guide (left) 10161 1799 " " " " " " " " Rivet .....
10158	1796	Clamp Arm (lower) Rear Guide (right) .....
10160	1798	Clamp Arm (lower) Rear Guide (right) Rivet .....
10765	4783	Clamp Arm (upper, left) with 10165 10764 4783 " " (upper, right) with 10165 10164 1796 " " (upper) Adjusting Slide 247F 1799 " " " " " " " " Screw .....
10165	1798	Clamp Arm (upper) Adjusting Slide Steady Pin .....
10170	1796	Clamp Arm (upper) Connecting Yoke 10171 1796 " " " " " " " " Link with two 220D .....
220D	1799	Clamp Arm (upper) Connecting Yoke Link Screw .....
10172	1796	Clamp Arm (upper) Hinge .....
10173	1799	" " " " Pin .....
176D	1799	" " " Screw .....
10195	4785	" " " Spring .....
10174	1796	" " Spreader .....
10821	4782	" " " Lever .....
99E	1799	" " " " Hinge Screw 10176 1796 " " " Link .....
105D	1799	" " " " Hinge Screw 109D 1799 " " " Screw .....
10767	4783	" Check (left) .....
10766	4783	" " (right) .....
10157	1798	" " Hinge Pin .....
10177	1796	" Crank Shaft .....
10179	4785	" " " Bracket (left) ... 10178 4785 " " " " (right) .... 397E 1799 " " " " Screw (large) 223E 1799 " " " " " (small) 10180 1796 " " " Lever .....
10181	1799	" " " " Pin .....
10182	1796	" Guide Pin .....
10183	1796	" " " Lifter .....
103D	1799	" " " " Hinge Screw.. 10184 1796 " " " " Spring .....
233D	1799	" " " " " Screw ..

No.	Plate	Name
10157	1798	Clamp Guide Pin Lifter Stop Pin ..
10185	1796	" " " Post .....
10768	4783	" Plate .....
10187	1799	" Thread Catch .....
240D	1799	" " " Screw .....
10769	—	Clamp, 2 in., complete, Nos. 99E, 103D, 105D, 109D, 233D, 240D, 10155, 10156, 10158, 10159, 10170, 10171, 10174, 10176 to 10185, 10187, 10762 to 10768, 10821, two each 176D, 223E, 247F, 397E, 402D, 10160, 10161, 10164, 10172, 10173, 10195 and five 10157
10880	4785	Cutting Block (brass), 2 inch .....
10452	4781	" " Arm .....
10453	4785	" " " Ratchet Wheel ..
10454	4785	" " " " " Re- taining Spring Latch .....
159F	1799	Cutting Block Arm Ratchet Wheel Retaining Spring Latch Screw ..
304C	1797	Cutting Block Arm Screw Center (2)
1513E	1799	" " " " " Nut (2) .....
10455	4782	Cutting Block Arm Spring .....
444F	1799	" " Set Screw (2) .....
10229	4781	Driving and Stop Motion Balance Wheel with two 445c .....
445C	1799	Driving and Stop Motion Balance Wheel Set Screw .....
10230	4782	Driving and Stop Motion Connecting Rod .....
10232	—	Driving and Stop Motion Connecting Rod 10230 with 10231 .....
10231	4784	Driving and Stop Motion Connecting Rod Head .....
38D	1797	Driving and Stop Motion Connecting Rod Head Hinge Screw .....
10233	4784	Driving and Stop Motion Connecting Rod Link .....
57C	1797	Driving and Stop Motion Connecting Rod Link Hinge Screw .....
10235	4781	Driving and Stop Motion Friction Pulley with 10236 .....
10236	4784	Driving and Stop Motion Friction Pulley Center Bearing .....
10238	4781	Driving and Stop Motion Friction Pulley Washer (paper) .....
10239	4781	Driving and Stop Motion Lever with 10556 .....
124E	1797	Driving and Stop Motion Lever Ad- justing Screw (2) .....

No.	Plate	Name
1518E	1799	Driving and Stop Motion Lever Ad- justing Screw Nut (2) .....
10240	4781	Driving and Stop Motion Lever Bracket .....
355D	1797	Driving and Stop Motion Lever Bracket Screw (2) .....
9263	1799	Driving and Stop Motion Lever Bracket Screw Washer (2) .....
10241	4785	Driving and Stop Motion Lever Fric- tion Pad (leather) .....
401E	1799	Driving and Stop Motion Lever Fric- tion Pad Screw (4) .....
150D	1797	Driving and Stop Motion Lever Screw .....
10243	4783	Driving and Stop Motion Lever Screw Washer .....
10242	4784	Driving and Stop Motion Lever Spring .....
10556	4785	Driving and Stop Motion Lever Spring Pin .....
159D	1799	Driving and Stop Motion Lever Spring Screw .....
6312	1799	Driving and Stop Motion Lever Spring Screw Washer .....
10245	4784	Driving and Stop Motion Ratchet Lever with 1823 and 10251 .....
196D	1797	Driving and Stop Motion Ratchet Lever Adjusting Screw .....
63D	1797	Driving and Stop Motion Ratchet Lever Hinge Screw .....
10247	4784	Driving and Stop Motion Ratchet Lever Pawl with 10248 .....
100D	1799	Driving and Stop Motion Ratchet Lever Pawl Hinge Screw .....
10248	1799	Driving and Stop Motion Ratchet Lever Pawl Pin .....
10249	4784	Driving and Stop Motion Ratchet Lever Pawl Spring .....
236F	1799	Driving and Stop Motion Ratchet Lever Pawl Spring Screw .....
1823	1799	Driving and Stop Motion Ratchet Lever Roller and Stud .....
5569	1796	Driving and Stop Motion Ratchet Lever Spring .....
10251	1799	Driving and Stop Motion Ratchet Lever Spring Hook .....
10582	4782	Driving and Stop Motion Starting Lever .....

No.	Plate	Name
52c	1797	Driving and Stop Motion Starting Lever Hinge Screw .....
18817	4784	Driving and Stop Motion Tripping Lever with two 10257 .....
10255	4784	Driving and Stop Motion Tripping Lever Catch .....
106D	1799	Driving and Stop Motion Tripping Lever Catch Hinge Screw .....
10223	1799	Driving and Stop Motion Tripping Lever Catch Spring .....
233D	1799	Driving and Stop Motion Tripping Lever Catch Spring Screw .....
10032	1796	Driving and Stop Motion Tripping Lever Handle .....
18818	4784	Driving and Stop Motion Tripping Lever Handle Bar .....
10556	4785	Driving and Stop Motion Tripping Lever Handle Bar Rivet .....
18819	7484	Driving and Stop Motion Tripping Lever complete, Nos. 10032, 18817, 18818 and four 10556 .....
77D	1797	Driving and Stop Motion Tripping Lever Hinge Screw .....
10256	4784	Driving and Stop Motion Tripping Lever Spring .....
10257	1799	Driving and Stop Motion Tripping Lever Spring Pin .....
10770	4784	Eye Stop, for 10730 .....
1071c	1797	" " Adjusting Screw .....
1518e	1799	" " " " Nut .....
10026	4780	Face Plate .....
176D	1799	" " Screw (3) .....
10152	1798	" " Thread Guide .....
10028	4781	Feed Driving Bell Crank Lever with 1805 .....
2D	1796	Feed Driving Bell Crank Lever Hinge Screw .....
1805	1798	Feed Driving Bell Crank Lever Roller and Stud .....
10261	4785	Feed Hand Ratchet Lever .....
10262	4785	" " " " Handle ..
52c	1797	" " " " Hinge Screw .....
18792	4784	Feed Hand Ratchet Pawl with 18791
10034	1798	" " " " Hinge Stud
5569	1796	" " " " Spring ...
18791	1799	" " " " Hook, for 18792 .....
10061	4785	Feed Hand Ratchet Pawl Spring Pin, for Bed .....

No.	Plate	Name
18591	---	Feed Hand Ratchet complete, Nos. 10034, 10261, 10262 and 18792 ...
10370	4781	Feed and Looper Cam with two 445c
445c	1799	" " " " Set Screw ...
10041	1796	" Regulator (long) .....
10558	1796	" " (reverse) .....
176D	1799	" " Screw (2) .....
10947	4785	" Releasing Lever with 10948 and two 18587 .....
176D	1799	Feed Releasing Lever Adjusting Screw (2) .....
10948	4785	Feed Releasing Lever Packing ....
18587	1799	" " " " Rivet
10950	4785	" Shipper Lever with 1814 and 1900 .....
71D	1797	Feed Shipper Lever Hinge Screw ..
1900	1797	" " " Releasing Roller and Stud .....
1814	1798	Feed Shipper Lever Roller and Stud
10800	---	" Wheel with 10773, for 2 in. buttonhole .....
10059	1796	Feed Wheel Brake Dog with 10060..
5569	1798	" " " " Spring ....
10035	1798	" " " " Hook..
10060	1798	" " " " Stud .....
18563	4780	" " Driving Lever with 129E
129E	1797	" " " " Adjusting Screw .....
10063	1796	Feed Wheel Driving Lever Block ..
357F	1797	" " " " " Ad-justing Screw .....
1520E	1798	Feed Wheel Driving Lever Block Ad-justing Screw Nut .....
8734	1796	Feed Wheel Driving Lever Spring ..
10061	4785	" " " " " Pin
429c	1797	" " " " Supporting Screw .....
1513E	1799	Feed Wheel Driving Lever Support-ing Screw Nut .....
10772	4784	Feed Wheel Friction Block .....
18579	4784	" " " " Spring ..
430c	1797	" " " " " Ad-justing Screw .....
1520E	1798	Feed Wheel Friction Block Spring Adjusting Screw Nut .....
10773	---	Feed Wheel Latch, 2 inch .....
10881	4785	Knife, 2 inch .....
10882	---	" 2 in. (small size eye) .....
10730	4784	" Holder with 209F and two 10556

No.	Plate	Name
10552	4785	Knife Holder Adjusting Collar with 453c .....
453c	1799	Knife Holder Adjusting Collar Set Screw .....
10883	4784	Knife Holder Connecting Link .....
72d	1799	" " " " Hinge Screw .....
10554	1798	Knife Holder Connecting Link Pin..
10555	4782	" " Hinge Pin .....
450c	1799	" " " " Set Screw ..
18870	—	" " Lifting Rock Shaft .....
10884	4784	" " " " " " Con-necting Link .....
10562	1798	Knife Holder Lifting Rock Shaft Con-necting Link Pin (2) .....
293c	4784	Knife Holder Lifting Rock Shaft Screw Center (2) .....
1501E	4784	Knife Holder Lifting Rock Shaft Screw Center Nut (2) .....
10556	4785	Knife Position Pin .....
209F	1799	" Set Screw .....
10371	1799	Looper (long) .....
10372	1799	" (short) .....
10373	4783	" Carrier .....
10122	4782	" " Bracket .....
7958	1798	" " " Dowel Pin .....
130d	1797	" " " Screw .....
10123	1796	" " Crank .....
7958	1798	" " Pin .....
209F	1799	" " " Set Screw .....
10374	1799	" " Needle Guard .....
233d	1799	" " " " Screw ...
2077	1799	" " Pin .....
10127	4780	" " Pitman .....
378c	1797	" " " Hinge Screw (2)..
1520E	1798	" " " " Nut (2)
10130	1796	" " Shaft .....
10129	4781	" Driving Bell Crank with 1807
2d	1796	" " " " Hinge Screw
1807	1798	" " " " Roller and Stud .....
224F	1799	Looper Screw .....
10088	4780	Needle Bar .....
10089	4780	Needle Bar complete, Nos. 10088, 10096, 10108 and 10110 .....
10091	1796	Needle Bar Connecting Link with two 390c .....
390c	1799	Needle Bar Connecting Link Adjust- ing Screw .....

No.	Plate	Name
29c	1797	Needle Bar Connecting Link Hinge Screw .....
7548	—	Needle Bar Connecting Stud .....
7448	1796	" " " " 7548 with 155c .....
155c	1798	Needle Bar Connecting Stud Set Screw .....
10557	4780	Needle Bar Frame .....
10099	4780	" " " Bell Crank with 1813 .....
1813	1798	Needle Bar Frame Bell Crank Roller and Stud .....
307c	1797	Needle Bar Frame Bell Crank Screw Center (2) .....
1513E	1799	Needle Bar Frame Bell Crank Screw Center Nut (2) .....
10101	1796	Needle Bar Frame Cam with two 445c
445c	1799	" " " " Set Screw ..
10103	4780	" " " Connecting Rod with 390c .....
390c	1799	Needle Bar Frame Connecting Rod Adjusting Screw .....
10104	1798	Needle Bar Frame Connecting Rod Ball .....
147c	1797	Needle Bar Frame Connecting Rod Ball Screw .....
37E	1797	Needle Bar Frame Regulating Screw Stud .....
1514c	1799	Needle Bar Frame Regulating Screw Stud Nut .....
307c	1797	Needle Bar Frame Screw Center (lower) .....
306c	1797	Needle Bar Frame Screw Center (upper) .....
1513E	1799	Needle Bar Frame Screw Center Nut (2) .....
18876	—	Needle Bar Packing Cord (2) .....
290E	1797	" " Screw Bushing (2) ....
10093	1796	" " Thread Take-up with 10114 .....
10094	1798	Needle Bar Thread Take-up Roller ..
10095	1798	" " " " " Cap
233d	1799	" " " " " " Screw .....
10114	1798	Needle Bar Thread Take-up Roller Pin .....
209F	1799	Needle Bar Thread Take-up Set Screw .....
10096	1796	Needle Bar Thread Take-up complete, Nos. 209F, 233d and 10093 to 10095

No.	Plate	Name
10105	1798	Needle Clamp .....
10106	1798	" " Disc .....
10107	1798	" " Spring .....
93H	1799	" " " Screw .....
10108	1798	" " Gib .....
209F	1799	" " Set Screw .....
10109	1798	" " Thread Guide .....
665D	1797	" " " " Screw .....
10110	1798	Needle Clamp complete, Nos. 93H, 209F, 665D, 10105, 10107, 10109 and two 10106 .....
10378	1799	Spreader (left) with 110c .....
10376	1799	" (right) with 110c .....
10382	1799	" Cam (left) .....
10381	1799	" " (right) .....
10383	1799	" " Adjusting Slide (2) ....
185H	1797	" " " " Screw (2) .....
228D	1799	" " Screw (2) .....
110c	1799	" Hinge Screw .....
10223	1799	" Spring .....
229D	1799	" " Screw .....
2102	1796	Tension (under thread) Disc (2) ...
1560c	1798	" " " " Regulating Thumb Nut .....
50021D	—	Tension (under thread) Screw Stud
10145	1798	" " " Thread Guide
10148	1798	" " " Spring .....
10144	4780	" (upper thread) and Spool Bracket .....
10146	—	Tension (upper thread) and Spool Bracket complete, Nos. 415D, 488D, 1560c, 2103, 8039, 10111, 10112, 10144, 10145 and two 2102 .....
159D	1799	Tension (upper thread) and Spool Bracket Screw (2) .....
2102	1796	Tension (upper thread) Disc .....
1560c	1798	" " " " Regulating Thumb Nut .....
2103	1798	Tension (upper thread) Spring ....
415D	1797	" " " Stud .....
10145	1798	" " " Thread Guide
10150	1796	Thread (under) Cord Guide .....
333D	1799	" " " " Screw ..
10147	4780	" " Spool Bracket .....
159D	1799	" " " " Screw (2)
488D	4785	" " " Spindle, 3½ in. long .....
487D	4785	Thread (under) Spool Spindle, 4 in. long .....

No.	Plate	Name
10111	1798	Thread (under) Spool Spindle Inside Cone (2) .....
10112	1798	Thread (under) Spool Spindle Inside Cone Spring (2) .....
8064	—	Thread (under) Spool Spindle Out- side Cone .....
8039	1796	Thread (under) Spool Spindle Out- side Cone 8064 with 759F (2) ....
759F	1799	Thread (under) Spool Spindle Out- side Cone Thumb Screw .....
10149	1796	Thread (under) Take-up Spring ....
10145	1798	" " Thread Guide .....
10137	1796	" (upper) Nipper Arm .....
77D	1797	" " " " Hinge Screw .....
1821	1798	Thread (upper) Nipper Arm Roller and Stud .....
10139	4782	Thread (upper) Nipper Cam with 435c .....
3012	1798	Thread (upper) Nipper Cam Pin ....
435c	1797	" " " " Set Screw
8800	1798	" " " " Disc (2) ....
1645E	1797	" " " " Regulat- ing Thumb Nut .....
1547D	1799	Thread (upper) Nipper Disc Regulat- ing Thumb Nut Lock Nut .....
1153c	1797	Thread (upper) Nipper Disc Screw Stud .....
1547D	1799	Thread (upper) Nipper Disc Screw Stud Nut .....
10140	1796	Thread (upper) Nipper Lever .....
49F	1797	" " " " Screw
10141	1798	" " " " Spring
10142	1796	" " " Link .....
488D	4785	" " Spool Spindle, 3½ in. long .....
10111	1798	Thread (upper) Spool Spindle Inside Cone .....
10112	1798	Thread (upper) Spool Spindle Inside Cone Spring .....
8064	—	Thread (upper) Spool Spindle Out- side Cone .....
8039	1796	Thread (upper) Spool Spindle Out- side Cone 8064 with 759F .....
759F	1799	Thread (upper) Spool Spindle Out- side Cone Thumb Screw .....
10151	1796	Thread (upper) Take-up Spring ....
236F	1799	" " " " Screw



## ACCESSORIES

No.	Plate	Name
18872	—	Cutting Block (brass), 1½ inch .....
18874	—	“ “ “ 1½ inch .....
18875	—	“ “ “ 1½ inch .....
10242	4784	Driving and Stop Motion Lever Spring
5569	1796	Feed Wheel Brake Dog Spring ....
10881	4785	Knife, 2 inch .....
36569	—	Oiler with 36571 .....
36570	—	“ 36569, filled with oil .....
36571	—	“ Spout, 1¾ in. long, with 36807 ..
36807	—	“ “ Washer (leather) .....
26026	4785	Screw Driver, Nos. 120088 and 120090
*120088	—	“ “ Blade .....
*120090	—	“ “ Handle .....
10223	1799	Spreader Spring (2) .....
10563	4781	Table Bracket Machine Holder (left) with four wood screws 1¼ in., No. 14, R.H.B. ....
10216	4781	Table Bracket Machine Holder (right) with 10116 and three wood screws 1¼ in., No. 14, R.H.B. ....
10116	1796	Table Bracket Machine Holder Pin
35143	4785	Tweezers, 4 in. long .....
10875	4780	Wrench, for 1518 and 1520 .....
10876	4780	“ “ 357 and 1513 .....
10877	4780	“ “ 10453 .....
23 x 1	—	Needles, six, size 2 .....

### TABLE BELT GUIDE

10857	4780	Table Belt Guide Bracket with 448c
10858	4780	“ “ “ “ Shaft .....
10859	4780	“ “ “ “ “ Pulley
448c	1799	“ “ “ “ “ Set Screw .....
10856	4780	Table Belt Guide Bracket complete, Nos. 10857 to 10859 and three wood screws 1¼ in., No. 12, R.H.B. ....

## CLAMP

### FOR MILITARY WORK

No.	Plate	Name	
10763	4783	Clamp Arm (lower, left) .....	
10762	4783	“ “ (lower, right) .....	
10156	1796	“ “ (lower) Front Guide (left) .....	
10155	1796	Clamp Arm (lower) Front Guide (right) .....	
10157	1798	Clamp Arm (lower) Front Guide Dowel Pin .....	
	402D	1799	Clamp Arm (lower) Front Guide Screw .....
10159	1796	Clamp Arm (lower) Rear Guide (left)	
10161	1799	“ “ “ “ “ “ Rivet .....	
10158	1796	Clamp Arm (lower) Rear Guide (right) .....	
10160	1798	Clamp Arm (lower) Rear Guide (right) Rivet .....	
18582	4783	Clamp Arm (upper, left) with 10248	
18581	4783	“ “ (upper, right) with 10248	
10834	4783	“ “ (upper) Adjusting Slide	
	247F	1799	“ “ “ “ “ “ Screw .....
10248	1799	Clamp Arm (upper) Adjusting Slide Steady Pin .....	
10170	1796	Clamp Arm (upper) Connecting Yoke	
10171	1796	“ “ “ “ “ “ Link with two 220D .....	
	220D	1799	Clamp Arm (upper) Connecting Yoke Link Screw .....
10836	1798	Clamp Arm (upper) Dowel Pin ....	
10835	4783	“ “ “ Hinge .....	
10173	1799	“ “ “ Pin .....	
	192D	1797	“ “ “ Screw .....
10195	4785	“ “ “ Spring .....	
10174	1796	“ “ Spreader .....	
10843	4783	“ “ “ Lever .....	
	99E	1799	“ “ “ “ Hinge Screw
10176	1796	“ “ “ Link .....	
	105D	1799	“ “ “ “ Hinge Screw
	109D	1799	“ “ “ Screw .....
10767	4783	“ Check (left) .....	
10766	4783	“ “ (right) .....	

## Clamp

No.	Plate	Name
10157	1798	Clamp Check Hinge Pin .....
10177	1796	" Crank Shaft .....
10838	4783	" " " Bracket (left) ....
10837	4783	" " " " (right) .....
397E	1799	" " " " Screw (large)
223E	1799	" " " " " (small)
10839	4783	" " " Lever .....
10181	1799	" " " " Pin .....
10182	1796	" Guide Pin .....
10841	4783	" " " Lifter .....
103D	1799	" " " " Hinge Screw
10184	1796	" " " " Spring .....
233D	1799	" " " " " Screw
10842	4783	" " " " Stop .....
224D	1799	" " " " " Screw..
10845	4783	" " " Post .....
10768	4783	" Plate .....
10187	1799	" Thread Catch .....
10955	—	Clamp, 2 in., complete, Nos. 99E, 103D, 105D, 109D, 224D, 233D, 240D, 10155, 10156, 10158, 10159, 10170, 10171, 10174, 10176, 10177, 10181, 10182, 10184, 10187, 10762, 10763, 10766 to 10768, 10837 to 10839, 10841 to 10843, 10845, 18581, 18582, two each 192D, 223E, 247E, 397E, 402D, 10160, 10161, 10173, 10195, 10834, 10835, four each 10157 and 10836 .....

## OBSOLETE PARTS

No.	Plate	Name
10004	1796	Arm Shaft (horizontal) Gear with 453c .....
10007	4782	Arm Shaft (upright) Gear with 453c
18588	4781	Bed Plate, for 18590 .....
10457	4781	" " with 10475 and two 621E, for 18590 .....
18641	—	Bed Plate complete, Nos. 10024, 10637, 18589, 18640 and three 405E .....
18590	—	Bed Plate complete, Nos. 10024, 10457, 10637, 18589 and three 405E .....
10462	1798	Bed Plate Stud .....
18557	1796	Clamp Check Presser Spring, for 10769 and 10955 .....
10092	4785	Driving and Stop Motion Tripping Lever complete, Nos. 10032, 10113, 10314 and two 10556 .....
10314	4785	Driving and Stop Motion Tripping Lever with 10251 and 10257 .....
10113	4785	Driving and Stop Motion Tripping Lever Handle Bar, for 10092 .....
10475	1796	Eye Stop Substitute, for 10457 .....
10885	4784	Feed Hand Ratchet Pawl with 10035, for 18591 .....

## NUMERICAL LIST OF PARTS

No.	Plate	Name
2D	1796	Feed Driving Bell Crank Lever Hinge Screw .....
2D	1796	Looper Driving Bell Crank Hinge Screw .....
29C	1797	Needle Bar Connecting Link Hinge Screw .....
37E	1797	Needle Bar Frame Regulating Screw Stud .....
38D	1797	Driving and Stop Motion Connecting Rod Head Hinge Screw .....
49F	1797	Thread (upper) Nipper Lever Screw
52C	1797	Driving and Stop Motion Starting Lever Hinge Screw .....
52C	1797	Feed Hand Ratchet Lever Hinge Screw .....
57C	1797	Driving and Stop Motion Connecting Rod Link Hinge Screw .....
63D	1797	Driving and Stop Motion Ratchet Lever Hinge Screw .....
71D	1797	Feed Shipper Lever Hinge Screw ..
72D	1799	Knife Holder Connecting Link Hinge Screw .....
77D	1797	Driving and Stop Motion Tripping Lever Hinge Screw .....
77D	1797	Thread (upper) Nipper Arm Hinge Screw .....
91F	1799	Barring Lever Clutch Lever Yielding Connection Guide Screw .....
93H	1799	Needle Clamp Disc Spring Screw, for 10110 .....
99E	1799	Clamp Arm Spreader Lever Hinge Screw, for 10769 and 10955 .....
100D	1799	Barring Lever Clutch Lever Hinge Screw .....
100D	1799	Driving and Stop Motion Ratchet Lever Pawl Hinge Screw .....
103D	1799	Clamp Guide Pin Lifter Hinge Screw, for 10769 and 10955 .....
105D	1799	Clamp Arm Spreader Link Hinge Screw, for 10769 and 10955 .....
106D	1799	Barring Lever Clutch Lever Yielding Connection Hinge Screw .....
106D	1799	Driving and Stop Motion Tripping Lever Catch Hinge Screw .....

No.	Plate	Name
109D	1799	Clamp Arm Spreader Screw, for 10769 and 10955 .....
110C	1799	Spreader Hinge Screw, for 10376 and 10378 .....
118E	1797	Arm Screw .....
124E	1797	Driving and Stop Motion Lever Adjusting Screw .....
129E	1797	Feed Wheel Driving Lever Adjusting Screw, for 18563 .....
130D	1797	Looper Carrier Bracket Screw ....
144D	1797	Arm Shaft (horizontal) Screw ....
147C	1797	Needle Bar Frame Connecting Rod Ball Screw .....
150D	1797	Driving and Stop Motion Lever Screw
155C	1798	Needle Bar Connecting Stud Set Screw, for 7448 .....
159F	1799	Cutting Block Arm Ratchet Wheel Retaining Spring Latch Screw ..
159D	1799	Driving and Stop Motion Lever Spring Screw .....
159D	1799	Tension (upper thread) and Spool Bracket Screw .....
159D	1799	Thread (under) Spool Bracket Screw
176D	1799	Barring Lever Cap Screw .....
176D	1799	Clamp Arm (upper) Screw, for 10769
176D	1799	Face Plate Screw .....
176D	1799	Feed Regulator Screw .....
176D	1799	" Releasing Lever Adjusting Screw .....
185H	1797	Spreader Cam Adjusting Slide Screw
192D	1797	Clamp Arm (upper) Screw, for 10955
196D	1797	Driving and Stop Motion Ratchet Lever Adjusting Screw .....
209F	1799	Knife Set Screw, for 10730 .....
209F	1799	Looper Carrier Crank Set Screw ..
209F	1799	Needle Bar Thread Take-up Set Screw, for 10096 .....
209F	1799	Needle Clamp Set Screw, for 10110
214D	1797	Bed Plate Button Slide Connection Stop Screw .....
217F	1799	Barring Lever Clutch Adjusting Screw .....
220D	1799	Clamp Arm (upper) Connecting Yoke Link Screw, for 10171 .....
223E	1799	Clamp Crank Shaft Bracket Screw (small), for 10769 and 10955 ....
224D	1799	Clamp Guide Pin Lifter Stop Screw, for 10955 .....
224F	1799	Looper Screw .....

No.	Plate	Name
228D	1799	Spreader Cam Screw .....
229D	1799	" Spring Screw .....
231C	1797	Bed Plate Clamp Stop Screw, for 18815 .....
233D	1799	Barring Lever Clutch Lever Yielding Connection Spring Screw .....
233D	1799	Clamp Guide Pin Lifter Spring Screw, for 10769 and 10955 .....
233D	1799	Driving and Stop Motion Tripping Lever Catch Spring Screw .....
233D	1799	Looper Carrier Needle Guard Screw
233D	1799	Needle Bar Thread Take-up Roller Cap Screw, for 10096 .....
236F	1799	Driving and Stop Motion Ratchet Lever Pawl Spring Screw .....
236F	1799	Thread (upper) Take-up Spring Screw .....
240D	1799	Clamp Thread Catch Screw, for 10769 and 10955 .....
247F	1799	Clamp Arm (upper) Adjusting Slide Screw, for 10769 and 10955 .....
290E	1797	Needle Bar Screw Bushing .....
293C	4784	Knife Holder Lifting Rock Shaft Screw Center .....
304C	1797	Cutting Block Arm Screw Center ..
306C	1797	Needle Bar Frame Screw Center (upper) .....
307C	1797	Needle Bar Frame Bell Crank Screw Center .....
307C	1797	Needle Bar Frame Screw Center (lower) .....
333D	1799	Thread (under) Cord Guide Screw..
355D	1797	Driving and Stop Motion Lever Bracket Screw .....
357F	1797	Feed Wheel Driving Lever Block Adjusting Screw .....
378C	1797	Looper Carrier Pitman Hinge Screw
389F	1799	Bed Plate Screw .....
390C	1799	Needle Bar Connecting Link Adjusting Screw, for 10091 .....
390C	1799	Needle Bar Frame Connecting Rod Adjusting Screw, for 10103 .....
397E	1799	Clamp Crank Shaft Bracket Screw (large), for 10769 and 10955 ....
399F	1799	Bed Plate Clamp Guide Slide Guide Screw, for 10024 .....
401E	1799	Driving and Stop Motion Lever Friction Pad Screw .....

## Numerical List of Parts

No.	Plate	Name
402D	1799	Clamp Arm (lower) Front Guide Screw, for 10769 and 10955 .....
405E	1799	Bed Plate Button Screw, for 18590, 18641 and 18816 .....
405E	1799	Bed Plate Protector Screw, for 18590, 18640, 18641 and 18816 .....
415D	1797	Tension (upper thread) Stud, for 10146 .....
429C	1797	Feed Wheel Driving Lever Supporting Screw .....
430C	1797	Feed Wheel Friction Block Spring Adjusting Screw .....
435C	1797	Thread (upper) Nipper Cam Set Screw, for 10139 .....
444F	1799	Cutting Block Set Screw .....
445C	1799	Driving and Stop Motion Balance Wheel Set Screw, for 10229 .....
445C	1799	Feed and Looper Cam Set Screw, for 10370 .....
445C	1799	Needle Bar Frame Cam Set Screw, for 10101 .....
448C	1799	Table Belt Guide Bracket Shaft Set Screw, for 10857 .....
450C	1799	Knife Holder Hinge Pin Set Screw
453C	1799	Arm Shaft (horizontal) Gear Set Screw, for 10004 and 18820 .....
453C	1799	Arm Shaft (upright) Gear Set Screw, for 10007 and 18821 .....
453C	1799	Knife Holder Adjusting Collar Set Screw, for 10552 .....
487D	4785	Thread (under) Spool Spindle, 4 in. long .....
488D	4785	Thread (under) Spool Spindle, 3½ in. long .....
488D	4785	Thread (upper) Spool Spindle, 3½ in. long, for 10146 .....
665D	1797	Needle Clamp Thread Guide Screw, for 10110 .....
759F	1799	Thread (under) Spool Spindle Outside Cone Thumb Screw, for 8039
759F	1799	Thread (upper) Spool Spindle Outside Cone Thumb Screw, for 8039
771D	1797	Arm Side Plate Thumb Screw, for 10892 .....
1071C	1797	Eye Stop Adjusting Screw .....
1153C	1797	Thread (upper) Nipper Disc Screw Stud .....
1501E	4784	Knife Holder Lifting Rock Shaft Screw Center Nut .....

## Numerical List of Parts

No.	Plate	Name
1513E	1799	Cutting Block Arm Screw Center Nut
1513E	1799	Feed Wheel Driving Lever Supporting Screw Nut .....
1513E	1799	Needle Bar Frame Bell Crank Screw Center Nut .....
1513E	1799	Needle Bar Frame Screw Center Nut
1514C	1799	" " " Regulating Screw Stud Nut .....
1518E	1799	Driving and Stop Motion Lever Adjusting Screw Nut .....
1518E	1799	Eye Stop Adjusting Screw Nut ....
1520E	1798	Feed Wheel Driving Lever Block Adjusting Screw Nut .....
1520E	1798	Feed Wheel Friction Block Spring Adjusting Screw Nut .....
1520E	1798	Looper Carrier Pitman Hinge Screw Nut .....
1547D	1799	Thread (upper) Nipper Disc Regulating Thumb Nut Lock Nut .....
1547D	1799	Thread (upper) Nipper Disc Screw Stud Nut .....
1560C	1798	Tension (under thread) Regulating Thumb Nut .....
1560C	1798	Tension (upper thread) Regulating Thumb Nut, for 10146 .....
1645E	1797	Tension (upper) Nipper Disc Regulating Thumb Nut .....
1805	1798	Feed Driving Bell Crank Lever Roller and Stud, for 10028 .....
1807	1798	Looper Driving Bell Crank Roller and Stud, for 10129 .....
1813	1798	Needle Bar Frame Bell Crank Roller and Stud, for 10099 .....
1814	1798	Feed Shipper Lever Roller and Stud, for 10950 .....
1821	1798	Thread (upper) Nipper Arm Roller and Stud .....
1823	1799	Driving and Stop Motion Ratchet Lever Roller and Stud, for 10245
1827	1798	Bed Plate Clamp Guide Slide Roller and Stud, for 10020 .....
1900	1797	Feed Shipper Lever Releasing Roller and Stud, for 10950 .....
2077	1799	Looper Carrier Pin .....
2102	1796	Tension (under thread) Disc .....
2102	1796	" (upper thread) Disc, for 10146
2103	1798	" " " Spring, for 10146
2117	1798	Arm Shaft (horizontal) Gear Pin ..
2117	1798	" " (upright) Gear Pin .....

## Numerical List of Parts

No.	Plate	Name
3012	1798	Thread (upper) Nipper Cam Pin ..
5569	1796	Driving and Stop Motion Ratchet Lever Spring .....
5569	1796	Feed Hand Ratchet Pawl Spring ..
5569	1796	" Wheel Brake Dog Spring .....
6312	1799	Driving and Stop Motion Lever Spring Screw Washer .....
7448	1796	Needle Bar Connecting Stud 7548 with 155c .....
7548	—	Needle Bar Connecting Stud, for 7448
7958	1798	Looper Carrier Bracket Dowel Pin ..
7958	1798	" " Crank Pin .....
8039	1796	Thread (under) Spool Spindle Out- side Cone 8064 with 759F .....
8039	1796	Thread (upper) Spool Spindle Out- side Cone 8064 with 759F, for 10146
8064	—	Thread (under) Spool Spindle Out- side Cone, for 8039 .....
8064	—	Thread (upper) Spool Spindle Out- side Cone, for 8039 .....
8582	1798	Arm Dowel Pin .....
8734	1796	Feed Wheel Driving Lever Spring ..
8800	1798	Thread (upper) Nipper Disc .....
9263	1799	Driving and Stop Motion Lever Bracket Screw Washer .....
10002	4781	Arm Shaft (horizontal) .....
10004	1796	" " " Gear with 453c (obsolete) .....
10005	4781	Arm Shaft (upright) .....
10007	4782	" " " Gear with 453c (obsolete) .....
10008	—	Arm Side Plate, for 10892 .....
Nos. 10020 to 10023, for 10024.		
10020	1796	Bed Plate Clamp Guide Slide with 1827 .....
10021	1796	Bed Plate Clamp Guide Slide Guide
10022	1798	" " " " " Spring Stop Stud .....
10023	1796	Bed Plate Clamp Guide Slide Spring
10024	1796	Bed Plate Clamp Guide complete, Nos. 10020, 10022, 10023, two 10021 and four 399F, for 18590, 18641 and 18816 .....
10026	4780	Face Plate .....
10028	4781	Feed Driving Bell Crank Lever with 1805 .....
10032	1796	Driving and Stop Motion Tripping Lever Handle, for 10092 and 18819

## Numerical List of Parts

No.	Plate	Name
10034	1798	Feed Hand Ratchet Pawl Hinge Stud, for 18591 .....
10035	1798	Feed Hand Ratchet Pawl Spring Hook, for 10885 .....
10035	1798	Feed Wheel Brake Dog Spring Hook
10041	1796	" Regulator (long) .....
10059	1796	" Wheel Brake Dog with 10060 ..
10060	1798	" " " " Stud, for 10059
10061	4785	" Hand Ratchet Pawl Spring Pin, for Bed .....
10061	4785	Feed Wheel Driving Lever Spring Pin
10063	1796	" " " " Block ....
10088	4780	Needle Bar, for 10089 .....
10089	4780	Needle Bar complete, Nos. 10088, 10096, 10108 and 10110 .....
10091	1796	Needle Bar Connecting Link with two 390c .....
10092	4785	Driving and Stop Motion Tripping Lever complete, Nos. 10032, 10113, 10314 and two 10556 (obsolete) ..
Nos. 10093 to 10095, for 10096.		
10093	1796	Needle Bar Thread Take-up with 10114 .....
10094	1798	Needle Bar Thread Take-up Roller ..
10095	1798	" " " " " Cap
10096	1796	Needle Bar Thread Take-up complete, Nos. 209F, 233D and 10093 to 10095, for 10089 .....
10099	4780	Needle Bar Frame Bell Crank with 1813 .....
10101	1796	Needle Bar Frame Cam with two 445c
10103	4780	" " " Connecting Rod with 390c .....
10104	1798	Needle Bar Frame Connecting Rod Ball .....
Nos. 10105 to 10107, for 10110.		
10105	1798	Needle Clamp .....
10106	1798	" " Disc .....
10107	1798	" " " Spring .....
10108	1798	" " Gib, for 10089 .....
10109	1798	" " Thread Guide, for 10110
10110	1798	Needle Clamp complete, Nos. 93H, 209F, 665D, 10105, 10107, 10109 and two 10106, for 10089 .....
10111	1798	Thread (under) Spool Spindle Inside Cone .....

## Numerical List of Parts

No.	Plate	Name
10111	1798	Thread (upper) Spool Spindle Inside Cone, for 10146 .....
10112	1798	Thread (under) Spool Spindle Inside Cone Spring .....
10112	1798	Thread (upper) Spool Spindle Inside Cone Spring, for 10146 .....
10113	4785	Driving and Stop Motion Tripping Lever Handle Bar (obsolete), for 10092 .....
10114	1798	Needle Bar Thread Take-up Roller Pin, for 10093 .....
10116	1796	Table Bracket Machine Holder Pin, for 10216 .....
10122	4782	Looper Carrier Bracket .....
10123	1796	" " Crank .....
10127	4780	" " Pitman .....
10129	4781	" Driving Bell Crank with 1807 .....
10130	1796	" Carrier Shaft .....
10136	1798	Bed Plate Button Slide Connection Spring Hook, for 10307 .....
10137	1796	Thread (upper) Nipper Arm .....
10139	4782	" " " Cam with 435c .....
10140	1796	" " " Lever .....
10141	1798	" " " " Spring .....
10142	1796	" " " Link .....
10144	4780	Tension (upper thread) and Spool Bracket, for 10146 .....
10145	1798	Tension (under thread) Thread Guide .....
10145	1798	" (upper thread) Thread Guide, for 10146 .....
10145	1798	Thread (under) Thread Guide .....
10146	—	Tension (upper thread) and Spool Bracket complete, Nos. 415D, 488D, 1560c, 2103, 8039, 10111, 10112, 10144, 10145 and two 2102 .....
10147	4780	Thread (under) Spool Bracket .....
10148	1798	Tension (under thread) Spring .....
10149	1796	Thread (under) Take-up Spring .....
10150	1796	" " Cord Guide .....
10151	1796	" (upper) Take-up Spring .....
10152	1798	Face Plate Thread Guide .....
Nos. 10155 to 10161, for 10769 and 10955.		
10155	1796	Clamp Arm (lower) Front Guide (right) .....
10156	1796	Clamp Arm (lower) Front Guide (left) .....
10157	1798	Clamp Arm (lower) Front Guide Dowel Pin .....

## Numerical List of Parts

No.	Plate	Name
10157	1798	Clamp Check Hinge Pin .....
10157	1798	" Guide Pin Lifter Stop Pin ....
10158	1796	" Arm (lower) Rear Guide (right)
10159	1796	" " " " " (left) ..
10160	1798	" " " " " (right) Rivet .....
10161	1799	Clamp Arm (lower) Rear Guide (left) Rivet .....
10164	1796	Clamp Arm (upper) Adjusting Slide, for 10769 .....
10165	1798	Clamp Arm (upper) Adjusting Slide Steady Pin, for 10764 and 10765 ..
Nos. 10170 to 10174, for 10769.		
10170	1796	Clamp Arm (upper) Connecting Yoke; also for 10955 .....
10171	1796	Clamp Arm (upper) Connecting Yoke Link with two 220D; also for 10955 .....
10172	1796	Clamp Arm (upper) Hinge .....
10173	1799	" " " " Pin; also for 10955 .....
10174	1796	Clamp Arm Spreader; also for 10955 .....
Nos. 10176 to 10185, for 10769.		
10176	1796	Clamp Arm Spreader Link; also for 10955 .....
10177	1796	Clamp Crank Shaft; also for 10955 .....
10178	4785	" " " Bracket (right) .....
10179	4785	" " " " (left) ..
10180	1796	" " " Lever .....
10181	1799	" " " " Pin; also for 10955 .....
10182	1796	Clamp Guide Pin; also for 10955 ...
10183	1796	" " " Lifter .....
10184	1796	" " " Spring; also for 10955 .....
10185	1796	Clamp Guide Pin Post .....
10187	1799	" Thread Catch, for 10769 and 10955 .....
10195	4785	Clamp Arm (upper) Spring, for 10769 and 10955 .....
10216	4781	Table Bracket Machine Holder (right) with 10116 and three wood screws 1½ in., No. 14, R.H.B. ....
10217	4782	Barring Lever .....
10218	4784	" " Cap .....
10219	4784	" " Clutch .....
10220	4784	" " " Lever .....

No.	Plate	Name
10222	4784	Barring Lever Clutch Lever Yielding Connection with 10251 .....
10223	1799	Barring Lever Clutch Lever Yielding Connection Spring .....
10223	1799	Driving and Stop Motion Tripping Lever Catch Spring .....
10223	1799	Spreader Spring .....
10229	4781	Driving and Stop Motion Balance Wheel with two 445c .....
10230	4782	Driving and Stop Motion Connecting Rod, for 10232 .....
10231	4784	Driving and Stop Motion Connecting Rod Head, for 10232 .....
10232	—	Driving and Stop Motion Connecting Rod 10230 with 10231 .....
10233	4784	Driving and Stop Motion Connecting Rod Link .....
10235	4781	Driving and Stop Motion Friction Pulley with 10236 .....
10236	4784	Driving and Stop Motion Friction Pulley Center Bearing, for 10235 ..
10238	4781	Driving and Stop Motion Friction Pulley Washer (paper) .....
10239	4781	Driving and Stop Motion Lever with 10556 .....
10240	4781	Driving and Stop Motion Lever Bracket .....
10241	4785	Driving and Stop Motion Lever Friction Pad (leather) .....
10242	4784	Driving and Stop Motion Lever Spring
10243	4783	" " " " " Screw Washer .....
10245	4784	Driving and Stop Motion Ratchet Lever with 1823 and 10251 .....
10247	4784	Driving and Stop Motion Ratchet Lever Pawl with 10248 .....
10248	1799	Clamp Arm (upper) Adjusting Slide Steady Pin, for 18581 and 18582 ..
10248	1799	Driving and Stop Motion Ratchet Lever Pawl Pin, for 10247 .....
10249	4784	Driving and Stop Motion Ratchet Lever Pawl Spring .....
10251	1799	Barring Lever Clutch Lever Yielding Connection Spring Hook, for 10222
10251	1799	Driving and Stop Motion Ratchet Lever Spring Hook, for 10245 and 10314 .....
10255	4784	Driving and Stop Motion Tripping Lever Catch .....

No.	Plate	Name
10256	4784	Driving and Stop Motion Tripping Lever Spring .....
10257	1799	Driving and Stop Motion Tripping Lever Spring Pin, for 10314 and 18817 .....
10261	4785	Feed Hand Ratchet Lever, for 18591
10262	4785	" " " " Handle, for 18591 .....
10307	4782	Bed Plate Button Slide Connection with 10136 .....
10309	1798	Bed Plate Button Slide Connection Spring .....
10314	4785	Driving and Stop Motion Tripping Lever with 10251 and 10257 (obsolete), for 10092 .....
10370	4781	Feed and Looper Cam with two 445c
10371	1799	Looper (long) .....
10372	1799	" (short) .....
10373	4783	" Carrier .....
10374	1799	" " Needle Guard .....
10376	1799	Spreader (right) with 110c .....
10378	1799	" (left) with 110c .....
10381	1799	" Cam (right) .....
10382	1799	" " (left) .....
10383	1799	" " Adjusting Slide .....
10452	4781	Cutting Block Arm .....
10453	4785	" " " Ratchet Wheel..
10454	4785	" " " " " Re-taining Spring Latch .....
10455	4782	Cutting Block Arm Spring .....
10457	4781	Bed Plate with 10475 and two 621E (obsolete), for 18590 .....
10461	1798	Bed Plate Dowel Pin .....
10462	1798	" " Stud (obsolete) .....
10475	1796	Eye Stop Substitute (obsolete), for 10457 .....
10552	4785	Knife Holder Adjusting Collar with 453c .....
10554	1798	Knife Holder Connecting Link Pin
10555	4782	" " Hinge Pin .....
10556	4785	Driving and Stop Motion Lever Spring Pin, for 10239 .....
10556	4785	Driving and Stop Motion Tripping Lever Handle Bar Rivet, for 10092 and 18819 .....
10556	4785	Knife Position Pin, for 10730 .....
10557	4780	Needle Bar Frame .....
10558	1796	Feed Regulator (reverse) .....
10562	1798	Knife Holder Lifting Rock Shaft Connecting Link Pin .....



## Numerical List of Parts

No.	Plate	Name
10563	4781	Table Bracket Machine Holder (left) with four wood screws 1¼ in., No. 14, R.H.B. ....
10582	4782	Driving and Stop Motion Starting Lever .....
10637	4784	Bed Plate Button, for 18590, 18641 and 18816 .....
10730	4784	Knife Holder with 209F and two 10556
Nos. 10762 to 10768, for 10769.		
10762	4783	Clamp Arm (lower, right); also for 10955 .....
10763	4783	Clamp Arm (lower, left); also for 10955 .....
10764	4783	Clamp Arm (upper, right) with 10165
10765	4783	" " (upper, left) with 10165
10766	4783	" Check (right); also for 10955
10767	4783	" " (left); also for 10955 ..
10768	4783	" Plate; also for 10955 .....
10769	—	Clamp, 2 in., complete, Nos. 99E, 103D, 105D, 109D, 233D, 240D, 10155, 10156, 10158, 10159, 10170, 10171, 10174, 10176 to 10185, 10187, 10762 to 10768, 10821, two each 176D, 223E, 247F, 397E, 402D, 10160, 10161, 10164, 10172, 10173, 10195 and five 10157
10770	4784	Eye Stop .....
10772	4784	Feed Wheel Friction Block .....
10773	—	" " Latch, 2 in., for 10800 ..
10800	—	" " with 10773, for 2 in. buttonhole .....
10821	4782	Clamp Arm Spreader Lever, for 10769
Nos. 10834 to 10839, for 10955.		
10834	4783	Clamp Arm (upper) Adjusting Slide
10835	4783	" " " Hinge .....
10836	1798	" " " Dowel Pin .....
10837	4783	" Crank Shaft Bracket (right) ..
10838	4783	" " " (left) ....
10839	4783	" " " Lever .....
Nos. 10841 to 10843, for 10955.		
10841	4783	Clamp Guide Pin Lifter .....
10842	4783	" " " " Stop .....
10843	4783	" Arm Spreader Lever .....
10845	4783	" Guide Pin Post, for 10955 ....
10856	4780	Table Belt Guide Bracket complete, Nos. 10857 to 10859 and three wood screws 1¼ in., No. 12, R.H.B. ....

## Numerical List of Parts

No.	Plate	Name
10857	4780	Table Belt Guide Bracket with 448C
10858	4780	" " " " Shaft .....
10859	4780	" " " " " Pulley
10875	4780	Wrench, for 1518 and 1520 .....
10876	4780	" " 357 and 1513 .....
10877	4780	" " 10453 .....
10880	4785	Cutting Block (brass), 2 inch .....
10881	4785	Knife, 2 inch .....
10882	—	" 2 in. (small size eye) .....
10883	4784	" Holder Connecting Link .....
10884	4784	" " Lifting Rock Shaft Connecting Link .....
10885	4784	Feed Hand Ratchet Pawl with 10035 (obsolete) .....
*10892	—	Arm with 771D and 10008 .....
*10894	—	Bed .....
10947	4785	Feed Releasing Lever with 10948 and two 18587 .....
10948	4785	Feed Releasing Lever Packing, for 10947 .....
10950	4785	Feed Shipper Lever with 1814 and 1900 .....
10955	—	Clamp, 2 in., complete, Nos. 99E, 103D, 105D, 109D, 224D, 233D, 240D, 10155, 10156, 10158, 10159, 10170, 10171, 10174, 10176, 10177, 10181, 10182, 10184, 10187, 10762, 10763, 10766 to 10768, 10837 to 10839, 10841 to 10843, 10845, 18581, 18582, two each 192D, 223E, 247F, 397E, 402D, 10160, 10161, 10173, 10195, 10834, 10835, four each 10157 and 10836 .....
18557	1796	Clamp Check Presser Spring (obsolete), for 10769 and 10955 .....
18563	4780	Feed Wheel Driving Lever with 129E
18579	4784	" " Friction Block Spring ..
18581	4783	Clamp Arm (upper, right) with 10248, for 10955 .....
18582	4783	Clamp Arm (upper, left) with 10248, for 10955 .....
18587	1799	Feed Releasing Lever Packing Rivet, for 10947 .....
18588	4781	Bed Plate (obsolete) .....
18589	4784	" " Button Slide, for 18590, 18641 and 18816 .....
18590	—	Bed Plate complete, Nos. 10024, 10457, 10637, 18589 and three 405E (obsolete) .....
18591	—	Feed Hand Ratchet complete, Nos. 10034, 10261, 10262 and 18792 ...

## Numerical List of Parts

No.	Plate	Name
18620	4783	Bed Plate Protector (left), for $\frac{1}{2}$ to 1 in. and 2 in. buttonholes, for 18640
18621	4783	Bed Plate Protector (right), for $\frac{1}{2}$ to 1 in. and 2 in. buttonholes, for 18640
18640	4781	Bed Plate with 18620, 18621 and four 405E, for 18641 and 18815 .....
18641	—	Bed Plate complete, Nos. 10024, 10637, 18589, 18640 and three 405E (obsolete) .....
18752	1798	Bed Plate Clamp Stop Stud, for 18797 and 18798 .....
18791	1799	Feed Hand Ratchet Pawl Spring Hook, for 18792 .....
18792	4784	Feed Hand Ratchet Pawl with 18791, for 18591 .....
18797	4784	Bed Plate Clamp Stop (left) with 18752, for 18815 .....
18798	4784	Bed Plate Clamp Stop (right) with 18752, for 18815 .....
18815	—	Bed Plate 18640 with 18797, 18798 and four 231c, for 18816 .....
18816	—	Bed Plate complete, Nos. 10024, 10637, 18589, 18815 and three 405E .....
18817	4784	Driving and Stop Motion Tripping Lever with two 10257, for 18819
18818	4784	Driving and Stop Motion Tripping Lever Handle Bar, for 18819 .....
18819	4784	Driving and Stop Motion Tripping Lever complete, Nos. 10032, 18817, 18818 and four 10556 .....
18820	4784	Arm Shaft (horizontal) Gear with 453c .....
18821	4784	Arm Shaft (upright) Gear with 453c
18870	—	Knife Holder Lifting Rock Shaft ..
18872	—	Cutting Block (brass), $1\frac{1}{4}$ inch .....
18874	—	" " " $1\frac{1}{2}$ inch .....
18875	—	" " " $1\frac{3}{4}$ inch .....
18876	—	Needle Bar Packing Cord .....
26026	4785	Screw Driver, Nos. 120088 and 120090
35143	4785	Tweezers, 4 in. long .....
36569	—	Oiler with 36571, for 36570 .....
36570	—	" 36569, filled with oil .....
36571	—	" Spout, $1\frac{3}{4}$ in. long, with 36807, for 36569 .....
36807	—	Oiler Spout Washer (leather), for 36571 .....
50021D	—	Tension (under thread) Screw Stud
*120088	—	Screw Driver Blade, for 26026 .....
*120090	—	" " Handle, for 26026 .....

**ILLUSTRATIONS OF PARTS**  
**FOR**  
**MACHINE No. 23-20**

PLATE 1796—ONE-HALF SIZE

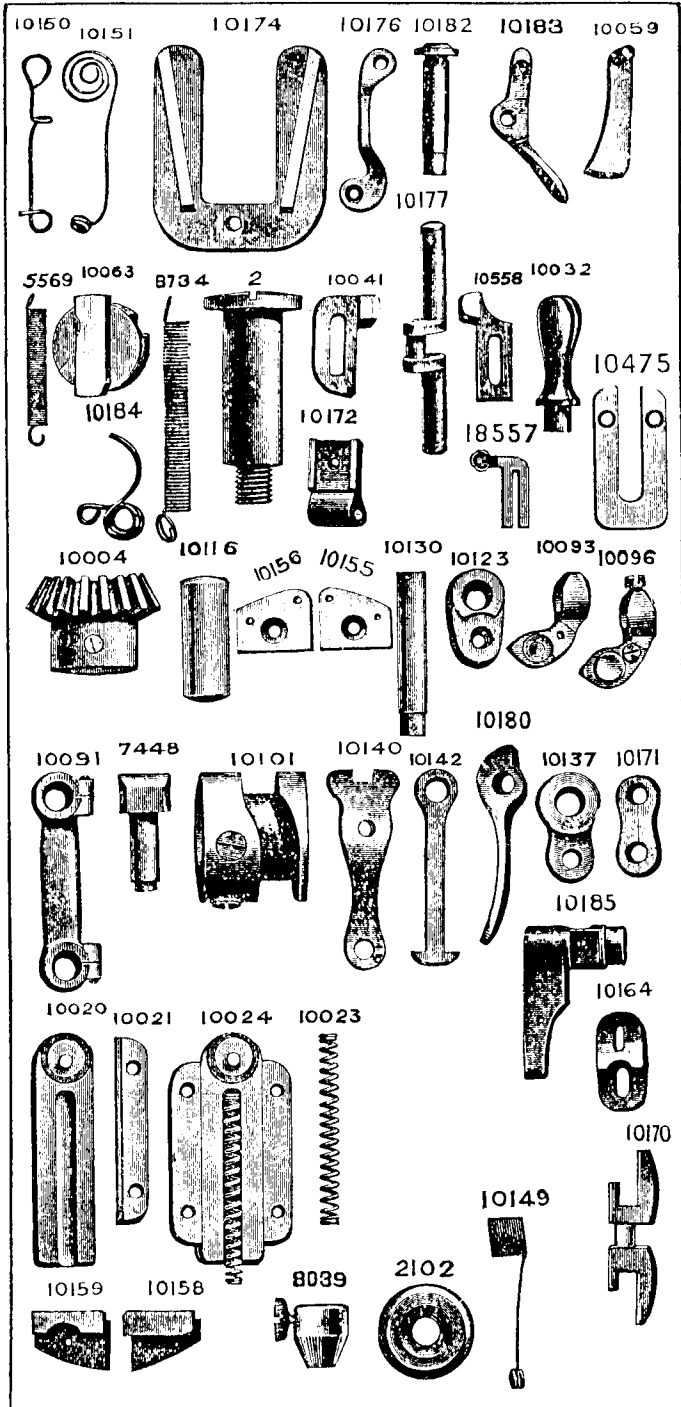


PLATE 1797—FULL SIZE

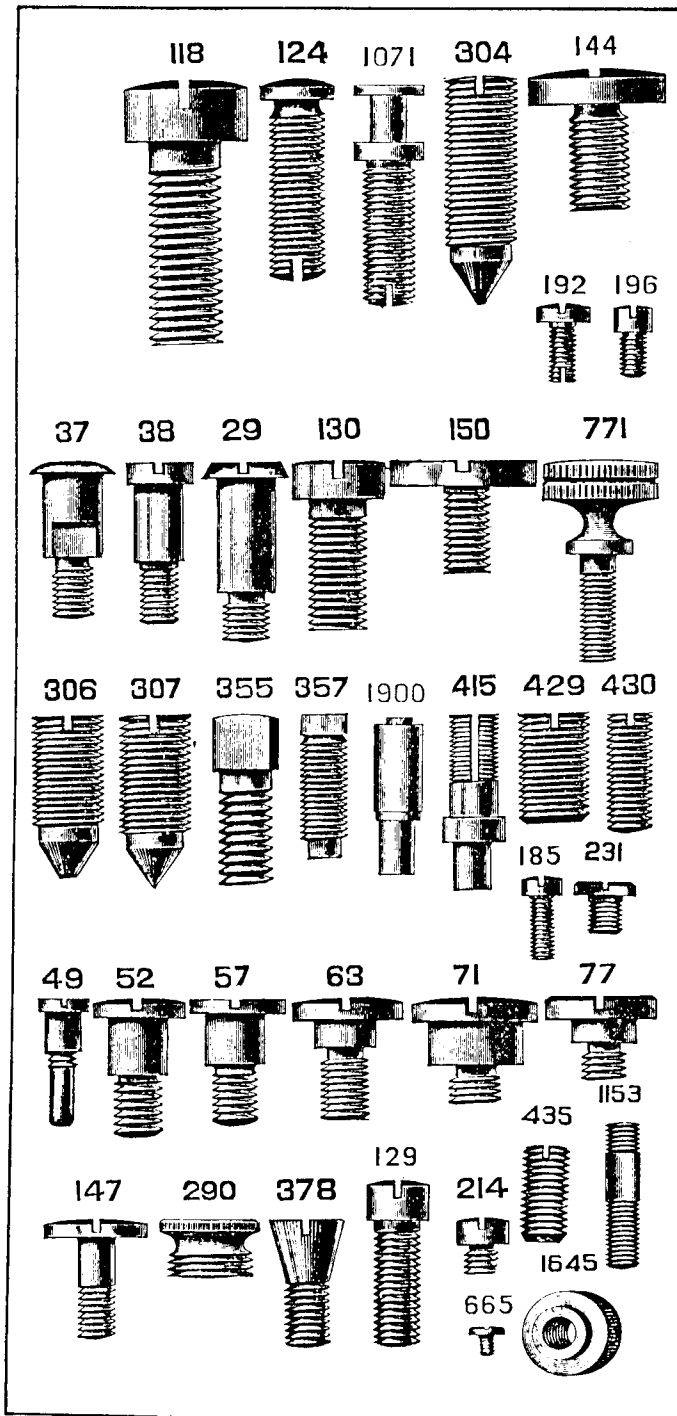


PLATE 1798—FULL SIZE

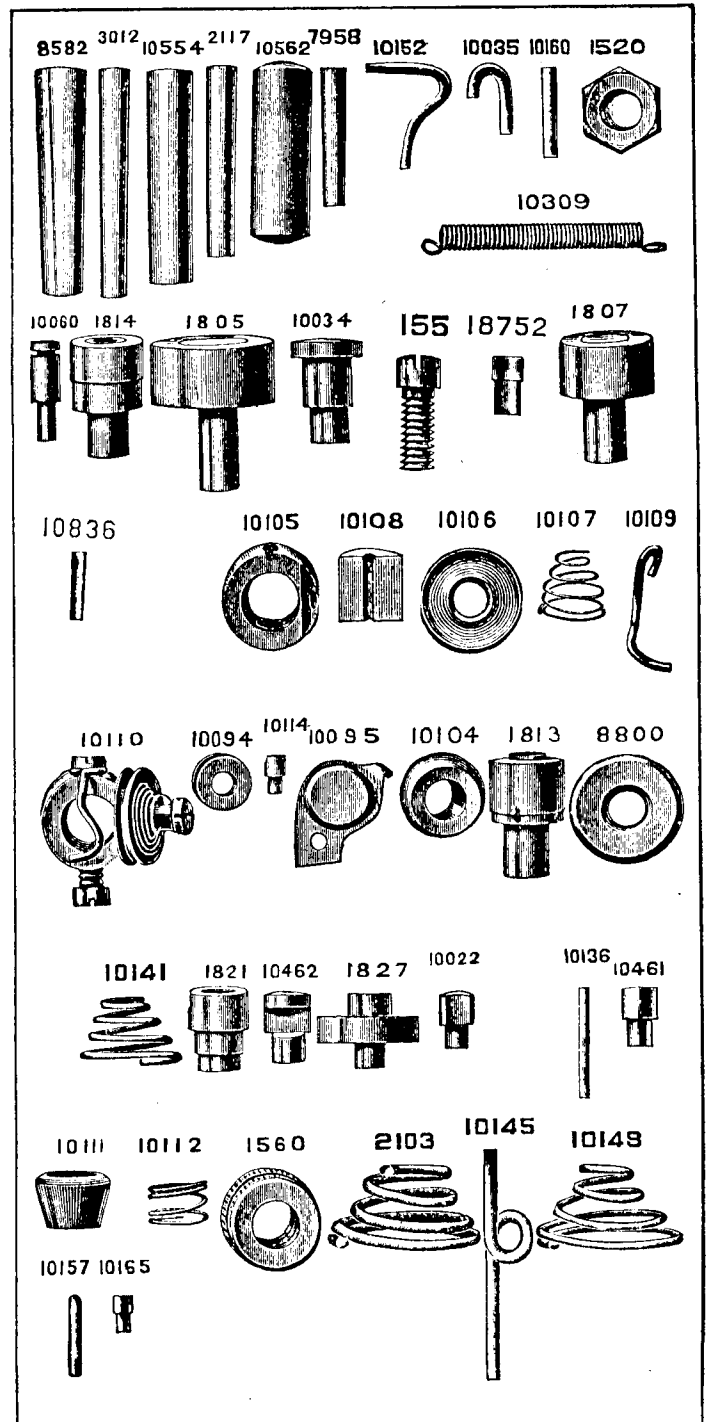


PLATE 1799—FULL SIZE

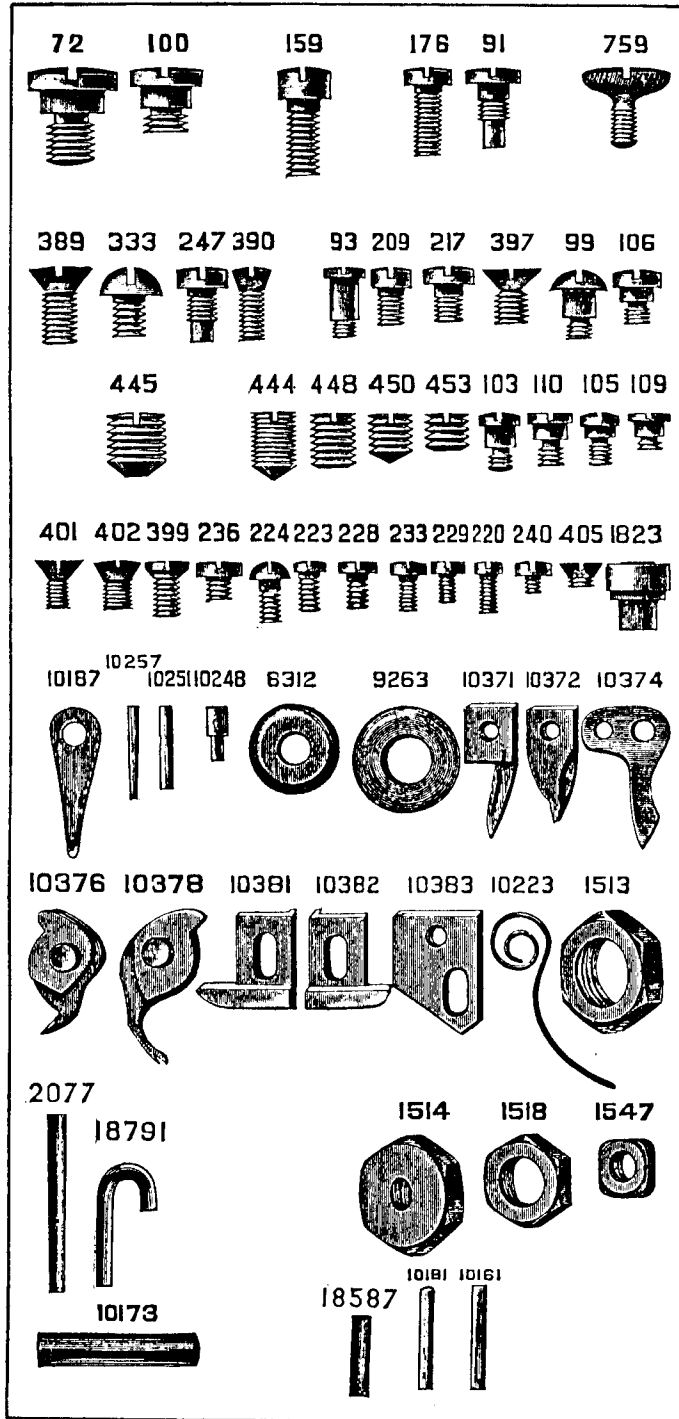


PLATE 4780—ONE-FOURTH SIZE

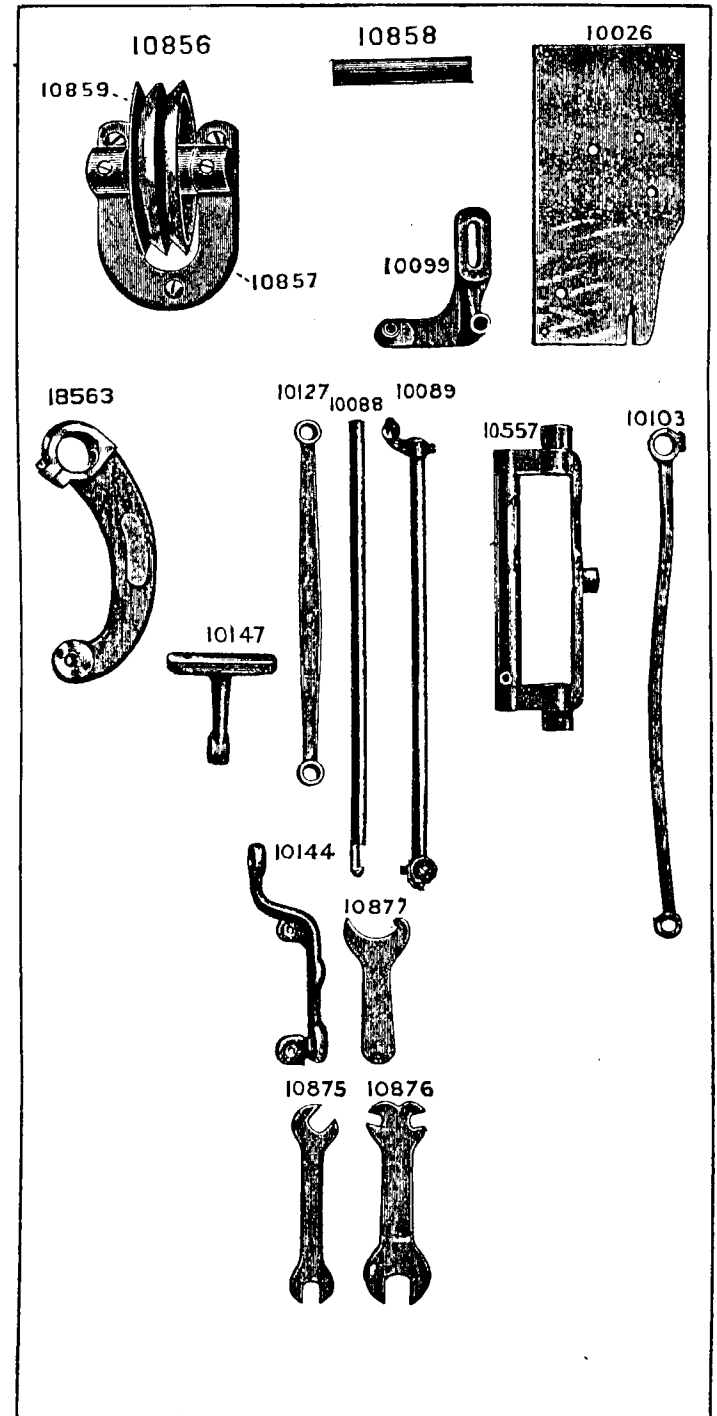


PLATE 4781—ONE-SIXTH SIZE

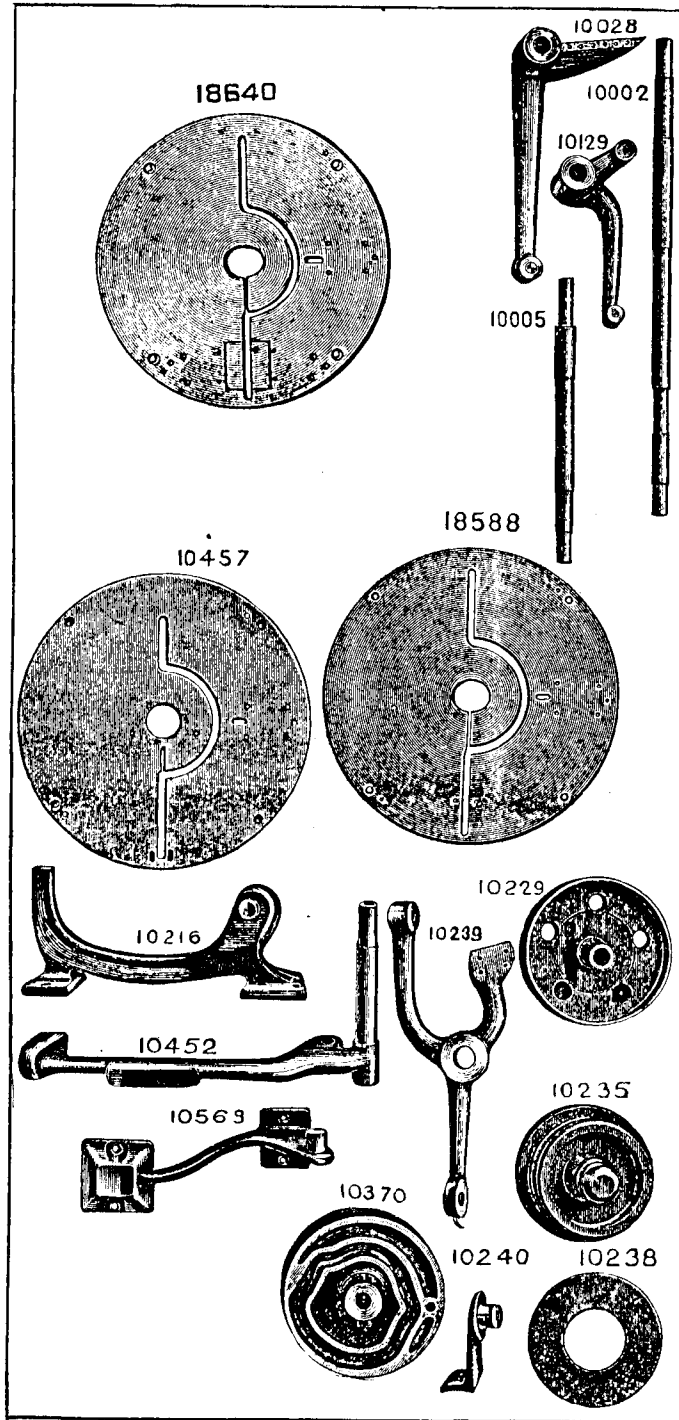


PLATE 4782—ONE-THIRD SIZE

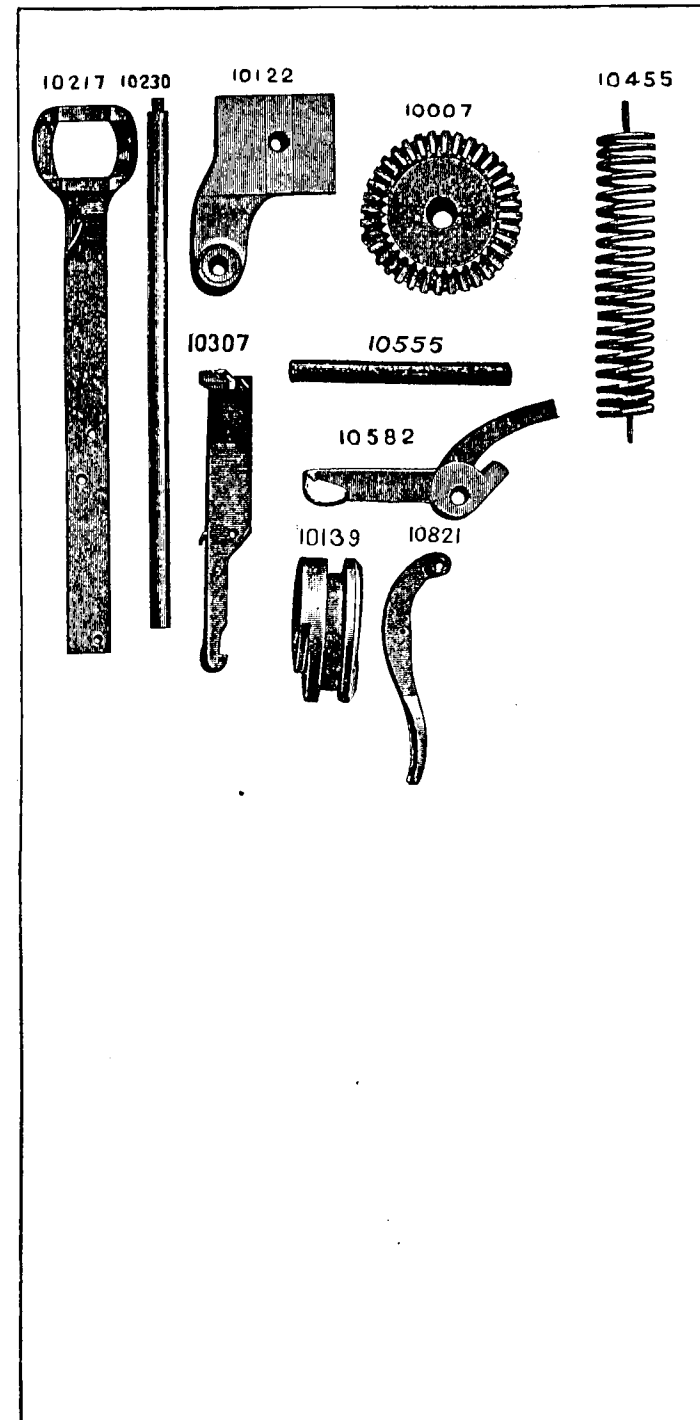


PLATE 4783—ONE-HALF SIZE

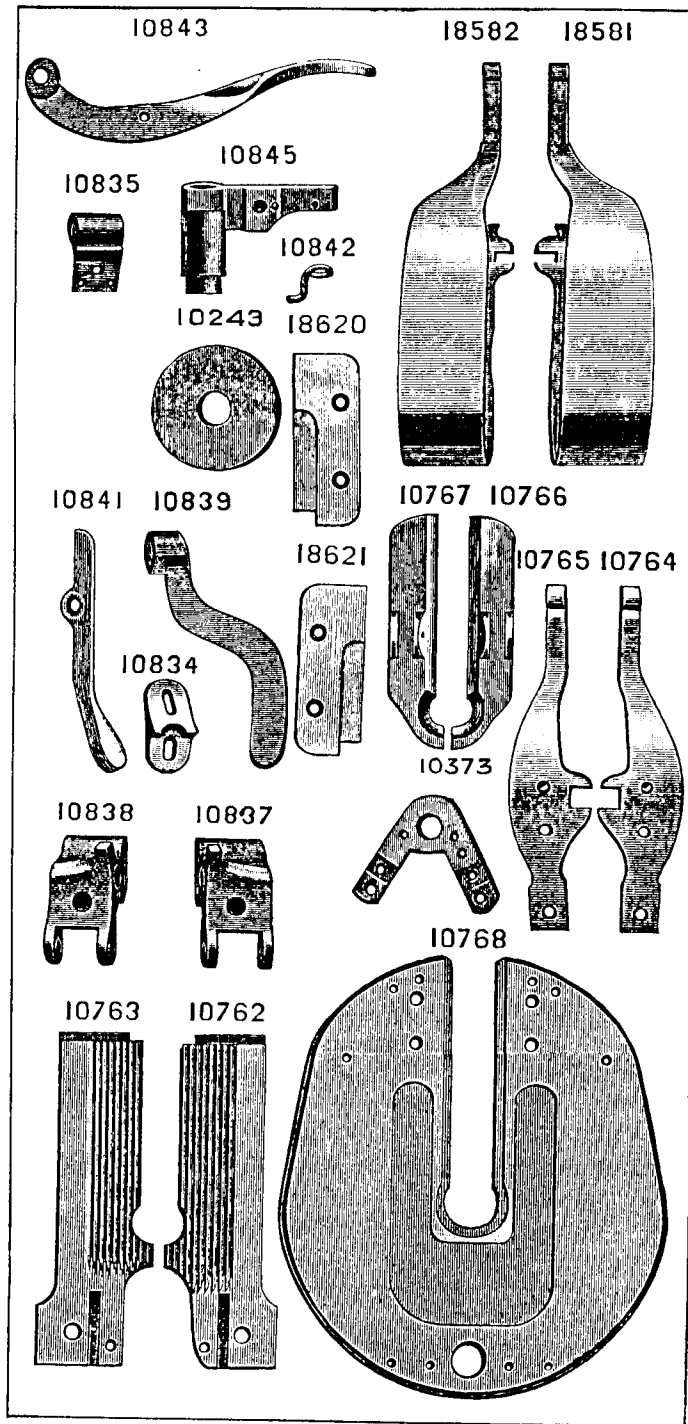


PLATE 4784—ONE-HALF SIZE

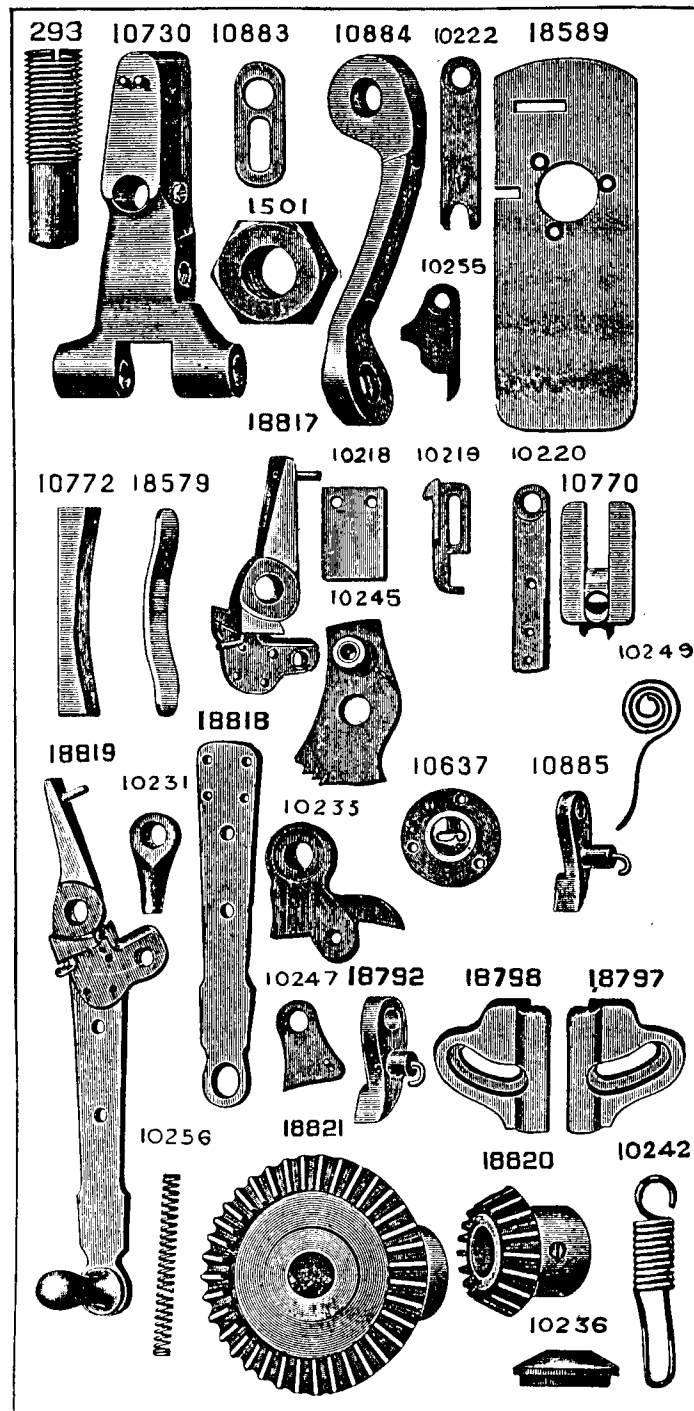


PLATE 4785—ONE-HALF SIZE

