

Singer 19-18

Form 18549
December, 1931
PRINTED IN U. S. A.

LIST OF PARTS



MACHINE No. 19-18

THE SINGER MANUFACTURING COMPANY

COPYRIGHT, U. S. A., 1929 and 1931
BY THE SINGER MANUFACTURING Co.
ALL RIGHTS RESERVED FOR ALL COUNTRIES

INDEX

	PAGE
ACCESSORIES.....	14
BOBBIN WINDER.....	14
FOOT LIFTER PARTS.....	15
KNEE LIFTER PARTS.....	15
MACHINE No. 19-18.....	7
NUMERICAL LIST OF PARTS.....	19
OBSOLETE PARTS.....	17
STARTING TREADLE PARTS.....	16
TABLE BELT GUIDE.....	16
THREAD LUBRICATOR.....	16

INSTRUCTIONS FOR ORDERING

In ordering from this list, use **ONLY** the part NUMBER in the **FIRST** column.

The number stamped on a Sewing Machine part is in every case the number of the single part only.

Every combination of parts sent out as such has its specific number, which, although not stamped on the parts, must be used when ordering the combination.

Each number always indicates the **SAME PART** in whatever list it appears, or for whatever machine.

The letters after some of the numbers indicate the style of finish only, as follows:

- A—Hardened, Polished, Nickel Plated and Buffed
- B—Polished, Nickel Plated and Buffed
- C—Hardened Only
- D—Polished Only
- E—Soft, Not Polished
- F—Hardened and Polished
- H—Blued
- J—Nickel Plated Only
- K—Hardened and Nickel Plated
- L—Brass Plated
- M—Oxidized
- N—Japanned, Dull
- P—Japanned, Bright
- R—Merlized
- T—Copper Plated
- T. A.—Hardened, Polished, Copper and Nickel Plated and Buffed
- T. B.—Copper and Nickel Plated and Polished
- T. J.—Copper and Nickel Plated Only
- T. K.—Hardened, Copper and Nickel Plated
- T. M.—Copper Plated and Oxidized
- T. L.—Copper and Brass Plated
- U—Zinc Plated
- V—Silver Plated
- W—Polished and Nickel Plated
- Y—Black Nickel Plated Only
- Z—Chromium Plated
- Z. B.—Polished, Nickel Plated, Buffed and Chromium Plated
- Z. J.—Nickel and Chromium Plated

These letters **MUST BE USED** when they appear in the list; and **AFTER** the number as in the list.

In this series:

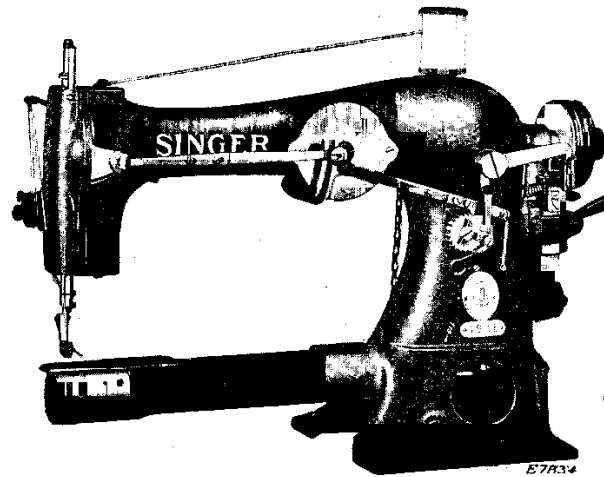
- 1 to 1500 and 50001 to 51500 are Screw Numbers
- 1501 to 1800 and 51501 to 51800 are Nut Numbers
- 1801 to 2000 and 51801 to 52000 are Roller Numbers
- 2001 to 50000 and 52001 and upward are numbers of Sewing Machine Parts and Electrical Parts

The figures in the second column refer only to the plates, illustrating the parts, and are **NOT TO BE USED** in ordering.

Parts marked with an asterisk (*) are furnished only when repairs are made at factory.

LIST OF PARTS COMPLETE

FOR



MACHINE No. 19-18

FOR STITCHING BOWS, POMPONS AND ORNAMENTS ON SHOES. NO FEEDING MECHANISM. THE MACHINE IS REGULARLY FURNISHED WITH STITCH RATCHET WHEEL FOR MAKING FOURTEEN STITCHES TO EACH TACK. IF REQUESTED ON THE ORDER, A STITCH RATCHET WHEEL FOR MAKING EITHER THREE, EIGHT OR NINE STITCHES WILL BE SUBSTITUTED. AUTOMATIC STOP. SPEED 800.

NO.	PLATE	NAME
*17466	—	Arm with 122D, 283D, 7248, 15404 and two 15405.....
2117	1742	Arm Dowel Pin.....
123D	1739	" Screw.....
17467	20355	" Shaft.....
17468	—	" " 17467 with 17456, 17475 and 56828.....
17703	1742	Arm Shaft Bushing.....
50333c	1742	" " " Adjusting Screw....
1520j	1740	" " " " " Nut
*7248	20355	" Side Plate.....
122D	1739	" " " Screw.....
283D	1739	" " " Thumb Screw.....

PARTS FOR MACHINE No. 19-18

NO.	PLATE	NAME
12403	1742	Arm Spool Pin and Thread Eyelet.....
8879	1746	" " " Washer (cloth).....
39222	1748	Belt Shifter.....
22706	1748	" " Clamp and Trip Lever Stop Holder.....
51191D	1742	Belt Shifter Clamp and Trip Lever Stop Holder Screw.....
4292	1748	Crank Connecting Rod.....
375c	1739	" " " Hinge Screw....
1518J	1745	" " " " " Nut
*17470	—	Cylinder.....
*17471	—	" 17470 with 22705 and three 180D.....
17341	1748	Face Plate.....
17342	—	Face Plate complete, Nos. 233J, 448c, 460c, 600c, 1560c, 2103, 2105, 2111, 2124, 2127, 2269, 4369, 17341 and two 2102.....
175J	1739	Face Plate Screw.....
7060	1748	Needle Bar.....
3045	1742	" " Connecting Link.....
56773	—	" " " " 3045 with 2052.....
377c	1739	Needle Bar Connecting Link Hinge Screw
1518J	1745	" " " " " " "
		Nut.....
2052	1742	Needle Bar Connecting Stud with 155c..
155c	1742	" " " " " Set Screw..
7061	1748	" " Frame.....
17495	1748	" " " Cam and Bevel Gear, 36 teeth.....
17496	—	Needle Bar Frame Cam and Bevel Gear 17495 with 15c.....
7290	1749	Needle Bar Frame Cam and Bevel Gear Cover.....
190J	1739	Needle Bar Frame Cam and Bevel Gear Cover Screw.....
15c	1739	Needle Bar Frame Cam and Bevel Gear Screw Stud.....
17456	1742	Needle Bar Frame Driving Bevel Pinion, 18 teeth, with two 453c.....
453c	1742	Needle Bar Frame Driving Bevel Pinion Set Screw.....
15767	1749	Needle Bar Frame Pitman Connection (hinge stud end).....
15787	1749	Needle Bar Frame Pitman Connection (regulator end).....

PARTS FOR MACHINE No. 19-18

NO.	PLATE	NAME
203c	1739	Needle Bar Frame Pitman Connection Screw.....
15768	1749	Needle Bar Frame Pitman (adjustable) complete, Nos. 15767, 15787 and two 203c.....
646F	1739	Needle Bar Frame Pitman Hinge Screw.
7068	1742	" " " " " Stud..
620c	1739	" " " " " " Set Screw.....
17472	1742	Needle Bar Frame Regulator.....
17473	—	" " " " 17472 with 549c, 1877, 7298, 33948 and two 226J..
549c	1739	Needle Bar Frame Regulator Adjusting Screw Stud.....
7070	1742	Needle Bar Frame Regulator Adjusting Screw Stud Sleeve.....
226J	1739	Needle Bar Frame Regulator Adjusting Screw Stud Stop Screw.....
1538D	1745	Needle Bar Frame Regulator Adjusting Thumb Nut.....
1877	1742	Needle Bar Frame Regulator Roller and Screw Stud.....
33948	1742	Needle Bar Frame Regulator Shaft.....
6533	1742	" " " " " Collar with 460c.....
460c	1742	Needle Bar Frame Regulator Shaft Collar Set Screw.....
7298	1742	Needle Bar Frame Regulator Shaft Pin..
577c	1739	" " " Screw Center (lower)
17437	—	" " " " " "
		577c with 1517J.....
1517J	1745	Needle Bar Frame Screw Center (lower) Nut.....
673J	1739	Needle Bar Frame Screw Center (upper)
1517J	1745	" " " " " "
		Nut.....
7072	1742	Needle Bar Thread Guard.....
233J	1742	" " " " Screw.....
17474	1744	" Plate with 17494.....
401F	1744	" " Screw.....
17494	1744	" " Thread Retainer.....
336F	1739	" Set Screw.....
6022	1749	Oscillating Rock Shaft with 4784.....
3052	1749	" " " Hinge Pin.....
1513J	1745	" " " " " Nut..
4784	1744	" " " Oil Pad (felt)....
7044	1749	" Shaft.....

10 PARTS FOR MACHINE No. 19-18

NO.	PLATE	NAME
17500	—	Oscillating Shaft 7044 with 2049, 7099 and 17497.....
17497	1744	Oscillating Shaft Crank with 462c and 1813.....
2049	1744	Oscillating Shaft Crank Pin.....
1813	1744	" " " Roller and Stud.
462c	1745	" " " Set Screw.....
3054	1749	Presser Bar.....
52016	1740	" " " Lifter.....
689c	1740	" " " Hinge Screw.....
1520j	1740	" " " " " Nut.....
17499	20351	" " " Lifting Bracket with 453c...
453c	1742	" " " " " Set Screw...
3056	1740	" " " Spring (heavy).....
2308	1740	" " " (light).....
2070	1740	" " " Washer.....
17476	1744	" Foot, for general work.....
17490	1744	" " " stitching barred buckles on shoes.....
22712	1744	Presser Foot Plate.....
217f	1744	" " " Screw.....
17492	1744	" " Shank.....
17493	1744	Presser Foot complete, for stitching buckles and bows on shoes, Nos. 217f, 17492 and 22712.....

NOTE: Presser Feet Nos. 17490 and 17493 are sent with this Machine.

176j	1739	Presser Foot Screw.....
713j	1739	Pressure Regulating Thumb Screw.....
63975	20351	Pulley (loose) 2¾ in. diam.....
17848	20351	" " Bushing.....
2269	1742	" " " Position Pin.....
1202r	1740	" " Cap Screw.....
17942	20351	" (tight) 2½ in. diam., with 2269...
2022	1740	" " Pin.....
17475	—	Pulleys complete, Nos. 1202r, 1206c, 17482, 17848, 17942 and 63975.....
2996	1743	Shuttle Bobbin.....
16091	1743	" " Case Latch.....
16027	1743	" " " " Lever.....
2974	1743	" " " " " Fulerum Pin.....
2975	1743	Shuttle Bobbin Case Latch Spring.....
592e	1743	" " " " " Stop Screw...
16092	—	" " " " " Hinge, Nos. 2974, 16027 and 16091.....

PARTS FOR MACHINE No. 19-18 11

NO.	PLATE	NAME
17312	1743	Shuttle Bobbin Case Position Finger....
2523	1743	" " " " " Rivet
17324	1743	Shuttle Bobbin Case complete, Nos. 591f, 592e, 2523, 2975, 12499, 16092 and 17312.....
7098	1743	Shuttle Body.....
591f	1743	" Tension Regulating Screw.....
12499	1743	" " Spring.....
17313	—	Shuttle, 1½ in. diam., Nos. 2996, 7098 and 17324.....
7099	1743	Shuttle Driver.....
2049	1744	" " Pin.....
22702	20351	" Race Body.....
22703	20351	" " Ring.....
51172j	1742	" " " Screw.....
22704	1745	" " " Spring.....
22705	—	Shuttle Race (flexible) complete, Nos. 22702, 22703 and four each 22704 and 51172j.....
180d	1739	Shuttle Race Screw.....
17853	1749	Starting Lever.....
1262c	1739	" " Hinge Screw.....
1662c	1746	" " " " Nut.....
17886	1749	" " Pitman.....
22708	1740	Stitch Ratchet Wheel (15 teeth) for 3 stitches.....
17478	1740	Stitch Ratchet Wheel (16 teeth) for 8 stitches.....
22707	1740	Stitch Ratchet Wheel (20 teeth) for 9 stitches.....
17477	1740	Stitch Ratchet Wheel (21 teeth) for 14 stitches.....

NOTE: No. 17477 is sent with this Machine unless otherwise specified on order.

17479	1749	Stitch Ratchet Wheel Driving Lever with 8077.....
70d	1739	Stitch Ratchet Wheel Driving Lever Hinge Screw.....
17480	1741	Stitch Ratchet Wheel Driving Lever Pawl.....
203j	1739	Stitch Ratchet Wheel Driving Lever Pawl Screw.....
5569	1741	Stitch Ratchet Wheel Driving Lever Spring.....
8077	1741	Stitch Ratchet Wheel Driving Lever Spring Hook.....

12 PARTS FOR MACHINE No. 19-18

NO.	PLATE	NAME
683E	1741	Stitch Ratchet Wheel Driving Lever Spring Screw.....
64F	1740	Stitch Ratchet Wheel Hinge Screw...
17481	1741	" " " Retaining Pawl
81D	1741	" " " " "
		Hinge Screw.....
15511	1741	Stitch Ratchet Wheel Retaining Pawl Spring.....
226J	1739	Stitch Ratchet Wheel Retaining Pawl Spring Screw.....
17482	1743	Stop Cam.....
17483	20352	" " Interlocking Rod.....
49329	20352	" " " " Case.....
17484	—	" " " " " 49329 with 1318D, 17483, 17489, 17863, 17864, 22706, 39222 and two each 176J and 51191D.....
39346	20351	Stop Cam Interlocking Rod Case Bracket
17485	—	Stop Cam Interlocking Rod Case Bracket complete, Nos. 1204E, 1254C, 1262C, 1508J, 1662C, 17484, 17487, 17853, 17859, 17861, 39346 and two 898D....
16532	1741	Stop Cam Interlocking Rod Case Bracket Dowel Pin.....
50372E	1739	Stop Cam Interlocking Rod Case Bracket Screw.....
1204E	1739	Stop Cam Interlocking Rod Case Hinge Screw.....
17859	20352	Stop Cam Interlocking Rod Case Socket Joint.....
898D	1739	Stop Cam Interlocking Rod Case Socket Joint Cap Screw.....
25478	1741	Stop Cam Interlocking Rod Case Spring
626C	1741	" " " " " " " Screw Stud.....
17486	1741	Stop Cam Interlocking Rod Case Spring Screw Stud Plate with 626C.....
175J	1739	Stop Cam Interlocking Rod Case Spring Screw Stud Plate Screw.....
17861	1743	Stop Cam Interlocking Rod Case Stop Stud.....
1254C	1743	Stop Cam Interlocking Rod Case Stop Stud Screw Bushing.....
1508J	1743	Stop Cam Interlocking Rod Case Stop Stud Screw Bushing Lock Nut.....
17487	1741	Stop Cam Interlocking Rod Case Stop Stud Spring.....

PARTS FOR MACHINE No. 19-18 13

NO.	PLATE	NAME
17863	1741	Stop Cam Interlocking Rod Spring.....
17864	1741	" " " " Stop.....
1318D	1746	" " " " " Screw..
3012	1744	" " Pin.....
1206C	1739	" " Screw.....
2102	1745	Tension Disc.....
1560C	1745	" Regulating Thumb Nut.....
4369	1745	" Releaser.....
2269	1742	" " Hinge Pin.....
600C	1745	" Screw Stud.....
16202	—	" " " 600C with 1560C....
448C	1746	" " " Set Screw.....
2103	1745	" Spring.....
2105	1745	" Thread Guard.....
2112	1745	Thread Retaining Disc with 2113.....
2113	1745	" " " Steady Pin.....
2114	1745	" " Spring.....
2115	1745	" " Stud.....
460C	1742	" " " Set Screw.....
2111	—	Thread Retainer Guide complete, Nos. 2112, 2114 and 2115.....
*56828	—	Thread Take-up Cam.....
3182	20351	" " " 56828 with 446C...
3012	1744	" " " Pin.....
446C	1742	" " " Set Screw.....
*4286	1745	" " Lever with 1819.....
56759	—	" " " 4286 with 76C....
76C	1745	" " " Hinge Screw....
1819	1745	" " " Roller and Stud..
2124	1745	" " Spring.....
2127	1745	" " " Regulator Plate
233J	1742	" " " " "
		Adjusting Screw.....
*15404	—	Trade Mark.....
*15405	—	" " Rivet.....
17488	20351	Trip Lever with 8077.....
584D	1740	" " Hinge Screw.....
5569	1741	" " Spring.....
8077	1741	" " " Hook.....
683E	1741	" " " Screw.....
17489	1741	" " Stop.....
176J	1739	" " " Screw.....
6053	20355	Drip Pan.....

ACCESSORIES

NO.	PLATE	NAME
51072E	1746	Bolt with 51581E, to fasten machine to table.....
51581E	1746	Bolt Nut.....
6055	1746	" " Washer.....
120342	1747	Oiler with 120343.....
120343	1747	" Spout, 3½ in. long.....
26026	1747	Screw Driver (machine).....
26485	1747	" " (shuttle tension).....
8908	1747	Wrench for 1520.....
8909	1747	" " 1513, 1517 and 1518.....

BOBBIN WINDER

SWINGING AUTOMATIC, RIGHT HAND
FOR 2996

NO.	PLATE	NAME
27540	20353	Base.....
15072	1743	Bobbin Position Pin.....
27302	20353	Frame.....
50356D	1746	" Hinge Screw.....
1620J	1746	" " " Nut.....
27303	1746	" Spring.....
27541	20353	Pulley.....
*27849	—	Spindle.....
27538	20353	" 27849 with 15072, 27850 and 41828.....
*27850	—	Spindle Collar.....
41828	1746	" " Pin.....
27306	20353	Spool Pin.....
27307	20353	" Stand.....
27308	20353	Spool Stand complete, Nos. 418E, 1562J, 2106, 10141, 11241, 27306, 27307 and two each 2455 and wood screws 1 in. No. 10.....
11241	20353	Spool Washer (cloth).....
27312	20353	Stop Latch.....
35D	1746	" " Hinge Screw.....
2455	1745	Tension Disc.....
1562J	1745	" Regulating Thumb Nut.....
418E	1745	" Screw Stud.....
10141	1745	" Spring.....
2106	1745	" Thread Guide.....
27647	20353	Bobbin Winder, Nos. 35D, 1620J, 27302, 27303, 27312, 27538, 27540, 27541, 50356D and two wood screws 1 in. No. 7.....
27544	—	Bobbin Winder (swinging automatic, right hand) complete, Nos. 27308 and 27647.....

FOOT LIFTER PARTS

NO.	PLATE	NAME
6439	—	Chain, length 36 in. to 45 in., with 56864 and 56865.....
NOTE: When ordering No. 6439, state length required.		
4879	1747	Chain Connecting Link.....
56864	1747	" Hook (large).....
56865	1747	" " (small).....
7170	20355	Lifting Lever.....
802D	1739	" " Hinge Screw.....
16659	1747	" " Spring.....
4881	20356	Treadle.....
4882	1746	" Shaft.....
4883	20352	" Spring.....
4884	20356	" Stand.....
4885	20356	Treadle complete, Nos. 4879, 4881 to 4884 and two wood screws 1 in. No. 16.....
17335	—	Foot Lifter complete, Nos. 802D, 4885, 6439, 7170 and 16659.....

KNEE LIFTER PARTS

NO.	PLATE	NAME
7170	20355	Lifting Lever.....
802D	1739	" " Hinge Screw.....
16659	1747	" " Spring.....
6343	20356	Pitman.....
7124	20355	Rock Shaft.....
2764	20355	" " Hanger with two wood screws 1 in. No. 10.....
6335	20355	Rock Shaft Knee Arm.....
6336	—	Rock Shaft Knee Arm complete, Nos. 2766, 2767 and 6335.....
2766	20355	Rock Shaft Knee Arm Hub with 356c.....
356c	1739	" " " " " Set Screw....
2767	20355	" " " " " Plate with 356c.....
356c	1739	" " " " " Set Screw.....
6337	20355	" " " " " Lifting Bracket with two 356c.....
7125	20355	" " " " " Hook.....
356c	1739	" " " " " " Set Screw....
356c	1739	" " " " " " Set Screw....
2770	20355	" " " " " Stop Dog with 356c.....
356c	1739	" " " " " " Set Screw.....
7126	20355	Rock Shaft complete, Nos. 2770, 6336, 6337, 7124, 7125 and two 2764.....
17337	—	Knee Lifter complete (power table), Nos. 802D, 6343, 7126, 7170 and 16659.....

STARTING TREADLE PARTS

NO.	PLATE	NAME
13351	—	Chain, length 46 in. to 55 in., with 56864 and 56865.....

NOTE: When ordering No. 13351, state length required.

56864	1747	Chain Hook (large).....
56865	1747	" " (small).....
17876	20356	Treadle with 443c.....
17881	1741	" Shaft.....
443c	1746	" " Set Screw.....
17882	1741	" Spring.....
17883	20356	" Stand.....
17884	20356	Treadle complete, Nos. 17876, 17881 to 17883 and two wood screws 1 in. No. 10

TABLE BELT GUIDE

NO.	PLATE	NAME
39218	20352	Belt Guide with two 168e.....
168e	1746	" " Set Screw.....
17892	20356	Bracket with two 153e.....
17893	20352	Pulley.....
39219	20352	" Shaft (long) with 17896 and 63973.....
63973	20352	Pulley Shaft (long) Wick (braided cotton)
39220	20352	" " (short) with 17896 and 63974
63974	20352	" " " Wick (braided cotton)
17896	1746	" " Plug.....
153e	1746	" " Set Screw.....
39221	—	Table Belt Guide complete, Nos. 17892, 39219, 39220, two each 17893, 39218 and three wood screws 1¼ in. No. 12

THREAD LUBRICATOR

NO.	PLATE	NAME
22710	20354	Face Plate.....
22711	—	Face Plate with Thread Lubricator complete, Nos. 22710 and 56893.....
*62818	20354	Thread Lubricator Bracket.....
65087	20354	" " " Extension....
50222j	1746	" " " " Screw
21202	1746	" " " " "
		Friction Washer.....
1529E	1746	Thread Lubricator Bracket Extension Screw Nut.....

THREAD LUBRICATOR

NO.	PLATE	NAME
62819	1746	Thread Lubricator Oil Pad (felt).....
*62820	20354	" " " " Holder.....
65088	20354	" " " " " 62820 with 65090.....
65089	—	Thread Lubricator Oil Pad Holder 65088 with 62819, 62824 and 62827.....
*65090	20354	Thread Lubricator Oil Pad Holder Oil Tube.....
62824	1746	Thread Lubricator Oil Pad Retainer....
62830	20354	" " " Reservoir.....
17822	1746	" " " " Rivet
8068	1745	" " " " "
		Washer (inside).....
124371	1746	Thread Lubricator Oil Reservoir Rivet Washer (outside).....
62827	20354	Thread Lubricator Oil Wick (braided cotton).....
65091	—	Thread Lubricator complete for 65092, Nos. 8068, 17822, 62818, 62830, 65089 and 124371.....
65092	20354	Thread Lubricator 65091 with 1529E, 50222j, 65087 and two 21202, for 56893
56893	—	Thread Lubricator 65092 with 191j, for 22711.....
191j	1741	Thread Lubricator Screw.....

OBSOLETE PARTS

NO.	PLATE	NAME
17469	20354	Belt Shifter Clamp and Trip Lever Stop Holder, superseded by 22706.....
NOTE: When No. 22706 is used to replace No. 17469, two No. 51191D screws are also required.		
1255D	1746	Belt Shifter Clamp and Trip Lever Stop Holder Screw..
33971	20354	Needle Bar Frame Cam and Bevel Gear, 36 teeth, superseded by 17495.....
33972	—	Needle Bar Frame Cam and Bevel Gear 33971 with 15c, superseded by 17496..
202F	1739	Needle Bar Frame Pitman Connection Screw, superseded by 203f.....
*17343	—	Oscillating Shaft Crank with 1813, for 17344.....
17344	1744	Oscillating Shaft Crank 17343 with two 462c, superseded by 17497.....

NO.	PLATE	NAME
2062	1746	Presser Bar Lifter, superseded by 52016.
5612	20351	" " Lifting Bracket with 453c, superseded by 17499.
17491	1746	Presser Foot Plate 17493, superseded by 22712.
17442	20354	Shuttle Race Body for 17444, superseded by 22702, not interchangeable.
17443	20354	Shuttle Race Ring for 17444, superseded by 22703, not interchangeable.
750D	1746	Shuttle Race Ring Screw for 17444, superseded by 51172J, not interchangeable.
17444	---	Shuttle Race complete, Nos. 17442, 17443 and four 750D, superseded by 22705.

Genuine Singer Needles and their Containers are marked with the Company's Trade Mark "SIMANCO." 1

Needles in Containers marked "For Singer Machines" are not Singer made needles. 2

NUMERICAL LIST OF PARTS

NO.	PLATE	NAME
15c	1739	Needle Bar Frame Cam and Bevel Gear Screw Stud for 17496 and 33972.
35D	1746	Bobbin Winder Stop Latch Hinge Screw for 27647.
64F	1740	Stitch Ratchet Wheel Hinge Screw.
70D	1739	" " " Driving Lever Hinge Screw.
76c	1745	Thread Take-up Lever Hinge Screw for 56759.
81D	1741	Stitch Ratchet Wheel Retaining Pawl Hinge Screw.
122D	1739	Arm Side Plate Screw for 17466.
123E	1739	" Screw.
153E	1746	Table Belt Guide Pulley Shaft Set Screw for 17892.
155c	1742	Needle Bar Connecting Stud Set Screw for 2052.
168E	1746	Table Belt Guide Set Screw for 39218.
175J	1739	Face Plate Screw.
175J	1739	Stop Cam Interlocking Rod Case Spring Screw Stud Plate Screw.
176J	1739	Presser Foot Screw.
176J	1739	Trip Lever Stop Screw for 17484.
180D	1739	Shuttle Race Screw for 17471.
190J	1739	Needle Bar Frame Cam and Bevel Gear Cover Screw.
191J	1741	Thread Lubricator Screw for 56893.
202F	1739	Needle Bar Frame Pitman Connection Screw, obsolete, superseded by 203F.
203c	1739	Needle Bar Frame Pitman Connection Screw for 15768.
203J	1739	Stitch Ratchet Wheel Driving Lever Pawl Screw.
217F	1744	Presser Foot Plate Screw for 17493.
226J	1739	Needle Bar Frame Regulator Adjusting Screw Stud Stop Screw for 17473.
226J	1739	Stitch Ratchet Wheel Retaining Pawl Spring Screw.
233J	1742	Needle Bar Thread Guard Screw.
233J	1742	Thread Take-up Spring Regulator Plate Adjusting Screw for 17342.
283D	1739	Arm Side Plate Thumb Screw for 17466
336F	1739	Needle Set Screw.

NUMERICAL LIST OF PARTS

NO.	PLATE	NAME
356c	1739	Rock Shaft Knee Arm Hub Set Screw for 2766.....
356c	1739	Rock Shaft Knee Plate Set Screw for 2767.....
356c	1739	Rock Shaft Lifting Bracket Hook Set Screw for 6337.....
356c	1739	Rock Shaft Lifting Bracket Set Screw for 6337.....
356c	1739	Rock Shaft Stop Dog Set Screw for 2770.....
375c	1739	Crank Connecting Rod Hinge Screw...
377c	1739	Needle Bar Connecting Link Hinge Screw
401f	1744	" Plate Screw.....
418E	1745	Bobbin Winder Tension Screw Stud for 27308.....
443c	1746	Starting Treadle Shaft Set Screw for 17876.....
446c	1742	Thread Take-up Cam Set Screw for 3182
448c	1746	Tension Screw Stud Set Screw for 17342
453c	1742	Needle Bar Frame Driving Bevel Pinion Set Screw for 17456.....
453c	1742	Presser Bar Lifting Bracket Set Screw for 5612 and 17499.....
460c	1742	Needle Bar Frame Regulator Shaft Collar Set Screw for 6533.....
460c	1742	Thread Retaining Stud Set Screw for 17342.....
462c	1745	Oscillating Shaft Crank Set Screw for 17344 and 17497.....
549c	1739	Needle Bar Frame Regulator Adjusting Screw Stud for 17473.....
577c	1739	Needle Bar Frame Screw Center (lower) for 17437.....
584D	1740	Trip Lever Hinge Screw.....
591f	1743	Shuttle Tension Regulating Screw for 17324.....
592E	1743	Shuttle Bobbin Case Latch Stop Screw for 17324.....
600c	1745	Tension Screw Stud for 16202 and 17342
620c	1739	Needle Bar Frame Pitman Hinge Stud Set Screw.....
626c	1741	Stop Cam Interlocking Rod Case Spring Screw Stud for 17486.....
646F	1739	Needle Bar Frame Pitman Hinge Screw.
673J	1739	" " " Screw Center (upper)
683E	1741	Stitch Ratchet Wheel Driving Lever Spring Screw.....
683E	1741	Trip Lever Spring Screw.....

NUMERICAL LIST OF PARTS

NO.	PLATE	NAME
689c	1740	Presser Bar Lifter Hinge Screw.....
713J	1739	Pressure Regulating Thumb Screw.....
750D	1746	Shuttle Race Ring Screw for 17444, obsolete, superseded by 51172J, not interchangeable.....
802D	1739	Lifting Lever Hinge Screw for 17335 and 17337.....
898D	1739	Stop Cam Interlocking Rod Case Socket Joint Cap Screw for 17485.....
1202R	1740	Pulley (loose) Cap Screw for 17475.....
1204E	1739	Stop Cam Interlocking Rod Case Hinge Screw for 17485.....
1206c	1739	Stop Cam Screw for 17475.....
1254c	1743	" " Interlocking Rod Case Stop Stud Screw Bushing for 17485.....
1255D	1746	Belt Shifter Clamp and Trip Lever Stop Holder Screw, obsolete.....
1262c	1739	Starting Lever Hinge Screw for 17485...
1318D	1746	Stop Cam Interlocking Rod Stop Screw for 17484.....
1508J	1743	Stop Cam Interlocking Rod Case Stop Stud Screw Bushing Lock Nut for 17485.....
1513J	1745	Oscillating Rock Shaft Hinge Pin Nut.....
1517J	1745	Needle Bar Frame Screw Center (lower) Nut for 17437.....
1517J	1745	Needle Bar Frame Screw Center (upper) Nut.....
1518J	1745	Crank Connecting Rod Hinge Screw Nut
1518J	1745	Needle Bar Connecting Link Hinge Screw Nut.....
1520J	1740	Arm Shaft Bushing Adjusting Screw Nut
1520J	1740	Presser Bar Lifter Hinge Screw Nut.....
1529E	1746	Thread Lubricator Bracket Extension Screw Nut for 65092.....
1538D	1745	Needle Bar Frame Regulator Adjusting Thumb Nut.....
1560c	1745	Tension Regulating Thumb Nut for 16202 and 17342.....
1562J	1745	Bobbin Winder Tension Regulating Thumb Nut for 27308.....
1620J	1746	Bobbin Winder Frame Hinge Screw Nut for 27647.....
1662c	1746	Starting Lever Hinge Screw Nut for 17485.....
1813	1744	Oscillating Shaft Crank Roller and Stud for 17343 and 17497.....

NO.	PLATE	NAME
1819	1745	Thread Take-up Lever Roller and Stud for 4286.....
1877	1742	Needle Bar Frame Regulator Roller and Screw Stud for 17473.....
2022	1740	Pulley (tight) Pin.....
2049	1744	Oscillating Shaft Crank Pin.....
2049	1744	Shuttle Driver Pin for 17500.....
2052	1742	Needle Bar Connecting Stud with 155c for 56773.....
2062	1746	Presser Bar Lifter, obsolete, superseded by 52016.....
2070	1740	Presser Bar Spring Washer.....
2102	1745	Tension Disc for 17342.....
2103	1745	" Spring for 17342.....
2105	1745	" Thread Guard for 17342.....
2106	1745	Bobbin Winder Tension Thread Guide for 27308.....
2111	—	Thread Retainer Guide complete, for 17342, Nos. 2112, 2114 and 2115.....
2112	1745	Thread Retaining Disc with 2113, for 2111.....
2113	1745	Thread Retaining Disc Steady Pin for 2112.....
2114	1745	Thread Retaining Spring for 2111.....
2115	1745	" " Stud for 2111.....
2117	1742	Arm Dowel Pin.....
2124	1745	Thread Take-up Spring for 17342.....
2127	1745	" " " Regulator Plate for 17342.....
2269	1742	Pulley (loose) Bushing Position Pin for 17942.....
2269	1742	Tension Releaser Hinge Pin for 17342.....
2308	1740	Presser Bar Spring (light).....
2455	1745	Bobbin Winder Tension Disc for 27308.....
2523	1743	Shuttle Bobbin Case Position Finger Rivet for 17324.....
2764	20355	Rock Shaft Hanger with two wood screws 1 in. No. 10, for 7126.....
2766	20355	Rock Shaft Knee Arm Hub with 356c, for 6336.....
2767	20355	Rock Shaft Knee Plate with 356c, for 6336.....
2770	20355	Rock Shaft Stop Dog with 356c, for 7126.....
2974	1743	Shuttle Bobbin Case Latch Lever Fulcrum Pin for 16092.....
2975	1743	Shuttle Bobbin Case Latch Spring for 17324.....

NO.	PLATE	NAME
2996	1743	Shuttle Bobbin for 17313.....
3012	1744	Stop Cam Pin.....
3012	1744	Thread Take-up Cam Pin.....
3045	1742	Needle Bar Connecting Link for 56773..
3052	1749	Oscillating Rock Shaft Hinge Pin.....
3054	1749	Presser Bar.....
3056	1740	" " Spring (heavy).....
3182	20351	Thread Take-up Cam 56828 with 446c...
*4286	1745	" " Lever with 1819 for 56759.....
4292	1748	Crank Connecting Rod.....
4369	1745	Tension Releaser for 17342.....
4784	1744	Oscillating Rock Shaft Oil Pad (felt) for 6022.....
4879	1747	Chain Connecting Link for 4885.....

Nos. 4881 TO 4884 FOR 4885

4881	20356	Treadle.....
4882	1746	" Shaft.....
4883	20352	" Spring.....
4884	20356	" Stand.....
4885	20356	Treadle complete for 17335, Nos. 4879, 4881 to 4884 and two wood screws 1 in. No. 16.....
5569	1741	Stitch Ratchet Wheel Driving Lever Spring.....
5569	1741	Trip Lever Spring.....
5612	20351	Presser Bar Lifting Bracket with 453c, obsolete, superseded by 17499.....
6022	1749	Oscillating Rock Shaft with 4784.....
6053	20355	Drip Pan.....
6055	1746	Bolt Nut Washer (Accessories).....
6335	20355	Rock Shaft Knee Arm for 6336.....
6336	—	Rock Shaft Knee Arm complete for 7126, Nos. 2766, 2767 and 6335.....
6337	20355	Rock Shaft Lifting Bracket with two 356c, for 7126.....
6343	20356	Pitman for 17337.....
6439	—	Chain, length 36 in. to 45 in., with 56864 and 56865, for 17335.....

NOTE: When ordering No. 6439, state length required.

6533	1742	Needle Bar Frame Regulator Shaft Collar with 460c.....
7044	1749	Oscillating Shaft for 17500.....

NUMERICAL LIST OF PARTS

NO.	PLATE	NAME
7060	1748	Needle Bar.....
7061	1748	" " Frame.....
7068	1742	" " " Pitman Hinge Stud..
7070	1742	" " " Regulator Adjusting Screw Stud Sleeve.....
7072	1742	Needle Bar Thread Guard.....
7098	1743	Shuttle Body for 17313.....
7099	1743	" Driver for 17500.....
7124	20355	Rock Shaft for 7126.....
7125	20355	" " Lifting Bracket Hook for 7126.....
7126	20355	Rock Shaft complete for 17337, Nos. 2770, 6336, 6337, 7124, 7125 and two 2764.....
7170	20355	Lifting Lever for 17335 and 17337.....
*7248	20355	Arm Side Plate for 17466.....
7290	1749	Needle Bar Frame Cam and Bevel Gear Cover.....
7298	1742	Needle Bar Frame Regulator Shaft Pin for 17473.....
8068	1745	Thread Lubricator Oil Reservoir Rivet Washer (inside) for 65091.....
8077	1741	Stitch Ratchet Wheel Driving Lever Spring Hook for 17479.....
8077	1741	Trip Lever Spring Hook for 17488.....
8879	1746	Arm Spool Pin Washer (cloth).....
8908	1747	Wrench for 1520 (Accessories).....
8909	1747	" " 1513, 1517 and 1518 (Acces- sories).....
10141	1745	Bobbin Winder Tension Spring for 27308
11241	20353	" " Spool Washer (cloth) for 27308.....
12403	1742	Arm Spool Pin and Thread Eyelet.....
12499	1743	Shuttle Tension Spring for 17324.....
13351	—	Chain, length 46 in. to 55 in., with 56864 and 56865.....
NOTE: When ordering No. 13351, state length required.		
15072	1743	Bobbin Winder Bobbin Position Pin for 27538.....
*15404	—	Trade Mark for 17466.....
*15405	—	" " Rivet for 17466.....
15511	1741	Stitch Ratchet Wheel Retaining Pawl Spring.....
15767	1749	Needle Bar Frame Pitman Connection (hinge stud end) for 15768.....

NUMERICAL LIST OF PARTS

NO.	PLATE	NAME
15768	1749	Needle Bar Frame Pitman (adjustable) complete, Nos. 15767, 15787 and two 203c.....
15787	1749	Needle Bar Frame Pitman Connection (regulator end) for 15768.....
16027	1743	Shuttle Bobbin Case Latch Lever for 16092.....
16091	1743	Shuttle Bobbin Case Latch for 16092....
16092	—	Shuttle Bobbin Case Hinge, Nos. 2974, 16027 and 16091, for 17324.....
16202	—	Tension Screw Stud 600c with 1560c....
16532	1741	Stop Cam Interlocking Rod Case Bracket Dowel Pin.....
16659	1747	Lifting Lever Spring for 17335 and 17337
17312	1743	Shuttle Bobbin Case Position Finger for 17324.....
17313	—	Shuttle, 1½ in. diam., Nos. 2996, 7098 and 17324.....
17324	1743	Shuttle Bobbin Case complete for 17313, Nos. 591F, 592E, 2523, 2975, 12499, 16092 and 17312.....
17335	—	Foot Lifter complete, Nos. 802D, 4885, 6439, 7170 and 16659.....
17337	—	Knee Lifter complete (power table), Nos. 802D, 6343, 7126, 7170 and 16659....
17341	1748	Face Plate for 17342.....
17342	—	Face Plate complete, Nos. 233J, 448C, 460C, 600C, 1560C, 2103, 2105, 2111, 2124, 2127, 2269, 4369, 17341 and two 2102.....
*17343	—	Oscillating Shaft Crank with 1813, for 17344, obsolete.....
17344	1744	Oscillating Shaft Crank 17343 with two 462c, obsolete, superseded by 17497....
17437	—	Needle Bar Frame Screw Center (lower) 577c with 1517J.....
17442	20354	Shuttle Race Body for 17444, obsolete, superseded by 22702, not interchange- able.....
17443	20354	Shuttle Race Ring for 17444, obsolete, superseded by 22703, not interchange- able.....
17444	—	Shuttle Race complete, Nos. 17442, 17443 and four 750D, obsolete, superseded by 22705.....
17456	1742	Needle Bar Frame Driving Bevel Pinion, 18 teeth, with two 453c, for 17468....

NO.	PLATE	NAME
*17466	—	Arm with 122d, 283d, 7248, 15404 and two 15405.....
17467	20355	Arm Shaft for 17468.....
17468	—	“ “ 17467 with 17456, 17475 and 56828.....
17469	20354	Belt Shifter Clamp and Trip Lever Stop Holder, obsolete, superseded by 22706
NOTE: When No. 22706 is used to replace No. 17469, two No. 51191d screws are also required.		
*17470	—	Cylinder for 17471.....
*17471	—	“ 17470 with 22705 and three 180d.....
17472	1742	Needle Bar Frame Regulator for 17473..
17473	—	“ “ “ “ 17472 with 549c, 1877, 7298, 33948 and two 226j..
17474	1744	Needle Plate with 17494.....
17475	—	Pulleys complete for 17468, Nos. 1202a, 1206c, 17482, 17848, 17942 and 63975
17476	1744	Presser Foot, for general work.....
17477	1740	Stitch Ratchet Wheel (21 teeth) for 14 stitches.....
17478	1740	Stitch Ratchet Wheel (16 teeth) for 8 stitches.....
17479	1749	Stitch Ratchet Wheel Driving Lever with 8077.....
17480	1741	Stitch Ratchet Wheel Driving Lever Pawl.....
17481	1741	Stitch Ratchet Wheel Retaining Pawl...
17482	1743	Stop Cam for 17475.....
17483	20352	“ “ Interlocking Rod for 17484...
17484	—	“ “ “ “ Case 49329 with 1318d, 17483, 17489, 17863, 17864, 22706, 39222 and two each 176j and 51191d, for 17485.....
17485	—	Stop Cam Interlocking Rod Case Bracket complete, Nos. 1204e, 1254c, 1262c, 1508j, 1662c, 17484, 17487, 17853, 17859, 17861, 39346 and two 898d....
17486	1741	Stop Cam Interlocking Rod Case Spring Screw Stud Plate with 626c.....
17487	1741	Stop Cam Interlocking Rod Case Stop Stud Spring for 17485.....
17488	20351	Trip Lever with 8077.....
17489	1741	“ “ Stop for 17484.....
17490	1744	Presser Foot, for stitching barred buckles on shoes.....

NO.	PLATE	NAME
17491	1746	Presser Foot Plate for 17493, obsolete, superseded by 22712.....
17492	1744	Presser Foot Shank for 17493.....
17493	1744	Presser Foot complete, for stitching buckles and bows on shoes, Nos. 217f, 17492 and 22712.....
17494	1744	Needle Plate Thread Retainer for 17474
17495	1748	“ Bar Frame Cam and Bevel Gear, 36 teeth, for 17496.....
17496	—	Needle Bar Frame Cam and Bevel Gear 17495 with 15c.....
17497	1744	Oscillating Shaft Crank with 462c and 1813 for 17500.....
17499	20351	Presser Bar Lifting Bracket with 453c..
17500	—	Oscillating Shaft 7044 with 2049, 7099 and 17497.....
17703	1742	Arm Shaft Bushing.....
17822	1746	Thread Lubricator Oil Reservoir Rivet for 65091.....
17848	20351	Pulley (loose) Bushing for 17475.....
17853	1749	Starting Lever for 17485.....
17859	20352	Stop Cam Interlocking Rod Case Socket Joint for 17485.....
17861	1743	Stop Cam Interlocking Rod Case Stop Stud for 17485.....
17863	1741	Stop Cam Interlocking Rod Spring for 17484.....
17864	1741	Stop Cam Interlocking Rod Stop for 17484
17876	20356	Starting Treadle with 443c, for 17884....
17881	1741	“ “ Shaft for 17884.....
17882	1741	“ “ Spring for 17884.....
17883	20356	“ “ Stand for 17884.....
17884	20356	Starting Treadle complete, Nos. 17876, 17881 to 17883 and two wood screws 1 in. No. 10.....
17886	1749	Starting Lever Pitman.....
17892	20356	Table Belt Guide Bracket with two 153e, for 39221.....
17893	20352	Table Belt Guide Pulley for 39221.....
17896	1746	“ “ “ “ Shaft Plug for 39219 and 39220.....
17942	20351	Pulley (tight) 2 7/8 in. diam., with 2269, for 17475.....
21202	1746	Thread Lubricator Bracket Extension Screw Friction Washer for 65092.....
22702	20351	Shuttle Race Body for 22705.....
22703	20351	“ “ Ring for 22705.....

NO.	PLATE	NAME
22704	1745	Shuttle Race Ring Spring for 22705..
22705	—	Shuttle Race (flexible) complete, for 17471, Nos. 22702, 22703 and four each 22704 and 51172J.....
22706	1748	Belt Shifter Clamp and Trip Lever Stop Holder for 17484.....
22707	1740	Stitch Ratchet Wheel (20 teeth) for 9 stitches.....
22708	1740	Stitch Ratchet Wheel (15 teeth) for 3 stitches.....
22710	20354	Face Plate for 22711.....
22711	—	Face Plate with Thread Lubricator complete, Nos. 22710 and 56893.....
22712	1744	Presser Foot Plate for 17493.....
25478	1741	Stop Cam Interlocking Rod Case Spring
26026	1747	Screw Driver (machine) Accessories
26485	1747	" " (shuttle tension) Accessories
27302	20353	Bobbin Winder Frame for 27647.....
27303	1746	" " " Spring for 27647..
27306	20353	" " Spool Pin for 27308.....
27307	20353	" " Stand for 27308...
27308	20353	Bobbin Winder Spool Stand complete for 27544, Nos. 418E, 1562J, 2106, 10141, 11241, 27306, 27307 and two each 2455 and wood screws 1 in. No. 10
27312	20353	Bobbin Winder Stop Latch for 27647....
27538	20353	" " Spindle 27849 with 15072, 27850 and 41828, for 27647.....
27540	20353	Bobbin Winder Base for 27647.....
27541	20353	" " Pulley for 27647.....
27544	—	Bobbin Winder (swinging automatic, right hand) complete, Nos. 27308 and 27647.....
27647	20353	Bobbin Winder for 27544, Nos. 35D, 1620J, 27302, 27303, 27312, 27538, 27540, 27541, 50356D and two wood screws 1 in. No. 7.....
*27849	—	Bobbin Winder Spindle for 27538.....
*27850	—	" " " Collar for 27538
33948	1742	Needle Bar Frame Regulator Shaft for 17473.....
33971	20354	Needle Bar Frame Cam and Bevel Gear, 36 teeth, for 33972, obsolete, superseded by 17495.....
33972	—	Needle Bar Frame Cam and Bevel Gear 33971 with 15c, obsolete, superseded by 17496.....

NO.	PLATE	NAME
39218	20352	Table Belt Guide with two 168E, for 39221.....
39219	20352	Table Belt Guide Pulley Shaft (long) with 17896 and 63973, for 39221.....
39220	20352	Table Belt Guide Pulley Shaft (short) with 17896 and 63974, for 39221.....
39221	—	Table Belt Guide complete, Nos. 17892, 39219, 39220, two each 17893, 39218 and three wood screws 1¼ in. No. 12
39222	1748	Belt Shifter for 17484.....
39346	20351	Stop Cam Interlocking Rod Case Bracket for 17485.....
41828	1746	Bobbin Winder Spindle Collar Pin for 27538.....
49329	20352	Stop Cam Interlocking Rod Case for 17484.....
50222J	1746	Thread Lubricator Bracket Extension Screw for 65092.....
50333C	1742	Arm Shaft Bushing Adjusting Screw....
50356D	1746	Bobbin Winder Frame Hinge Screw for 27647.....
50372E	1739	Stop Cam Interlocking Rod Case Bracket Screw.....
51072E	1746	Bolt with 51581E, to fasten machine to table (Accessories).....
51172J	1742	Shuttle Race Ring Screw for 22705.....
51191D	1742	Belt Shifter Clamp and Trip Lever Stop Holder Screw for 17484.....
51581E	1746	Bolt Nut for 51072.....
52016	1740	Presser Bar Lifter.....
56759	—	Thread Take-up Lever 4286 with 76c...
56773	—	Needle Bar Connecting Link 3045 with 2052.....
*56828	—	Thread Take-up Cam for 3182 and 17468
56864	1747	Chain Hook (large) for 6439 and 13351..
56865	1747	" " (small) for 6439 and 13351
56893	—	Thread Lubricator 65092 with 191J, for 22711.....
*62818	20354	Thread Lubricator Bracket for 65091....
62819	1746	" " Oil Pad (felt) for 65089
*62820	20354	" " " " Holder for 65088.....
62824	1746	Thread Lubricator Oil Pad Retainer for 65089.....
62827	20354	Thread Lubricator Oil Wick (braided cotton) for 65089.....

30 NUMERICAL LIST OF PARTS

NO.	PLATE	NAME
62830	20354	Thread Lubricator Oil Reservoir for 65091.....
63973	20352	Table Belt Guide Pulley Shaft (long) Wick (braided cotton) for 39219.....
63974	20352	Table Belt Guide Pulley Shaft (short) Wick (braided cotton) for 39220.....
63975	20351	Pulley (loose) 2¼ in. diam., for 17475...
65087	20354	Thread Lubricator Bracket Extension for 65092.....
65088	20354	Thread Lubricator Oil Pad Holder 62820 with 65090, for 65089.....
65089	—	Thread Lubricator Oil Pad Holder 65088 with 62819, 62824 and 62827, for 65091
*65090	20354	Thread Lubricator Oil Pad Holder Oil Tube for 65088.....
65091	—	Thread Lubricator complete for 65092, Nos. 8068, 17822, 62818, 62830, 65089 and 124371.....
65092	20354	Thread Lubricator 65091 with 1529E, 50222s, 65087 and two 21202, for 56893
120342	1747	Oiler with 120343 (Accessories).....
120343	1747	" Spout, 3½ in. long, for 120342.....
124371	1746	Thread Lubricator Oil Reservoir Rivet Washer (outside) for 65091.....

Genuine Singer Needles and their Containers are marked with the Company's Trade Mark "SIMANCO." 1

Needles in Containers marked "For Singer Machines" are not Singer made needles. 2

PLATE 1739—FULL SIZE



PLATE 1740—FULL SIZE

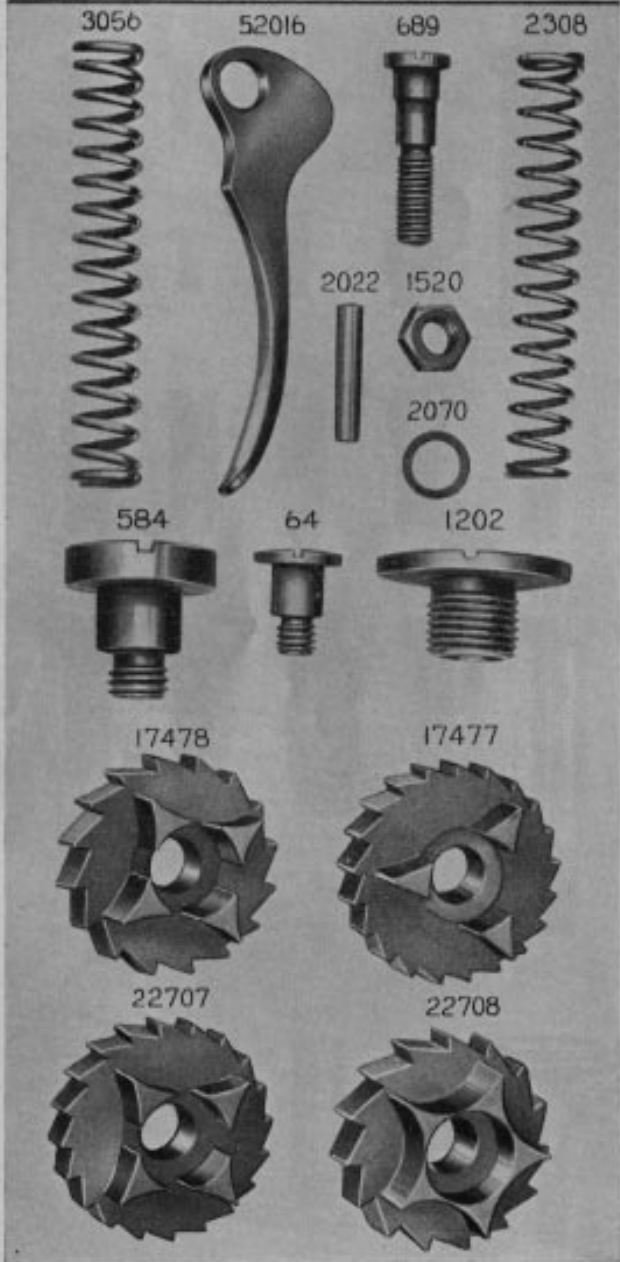


PLATE 1741—FULL SIZE

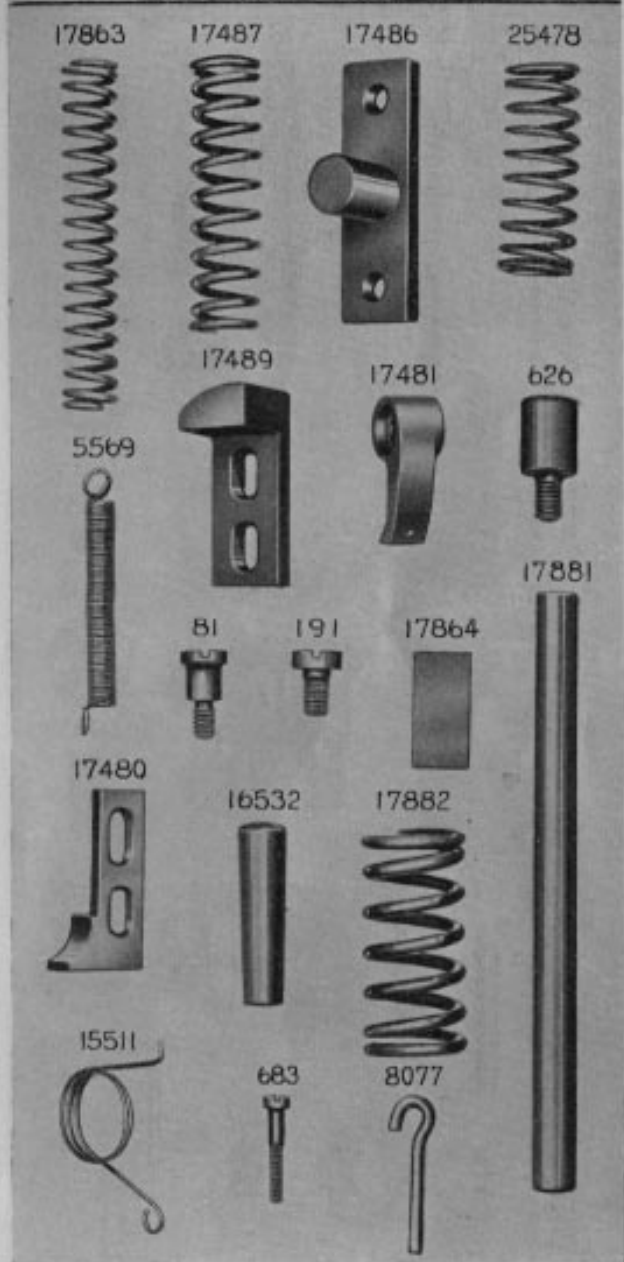


PLATE 1742—FULL SIZE



PLATE 1743—FULL SIZE

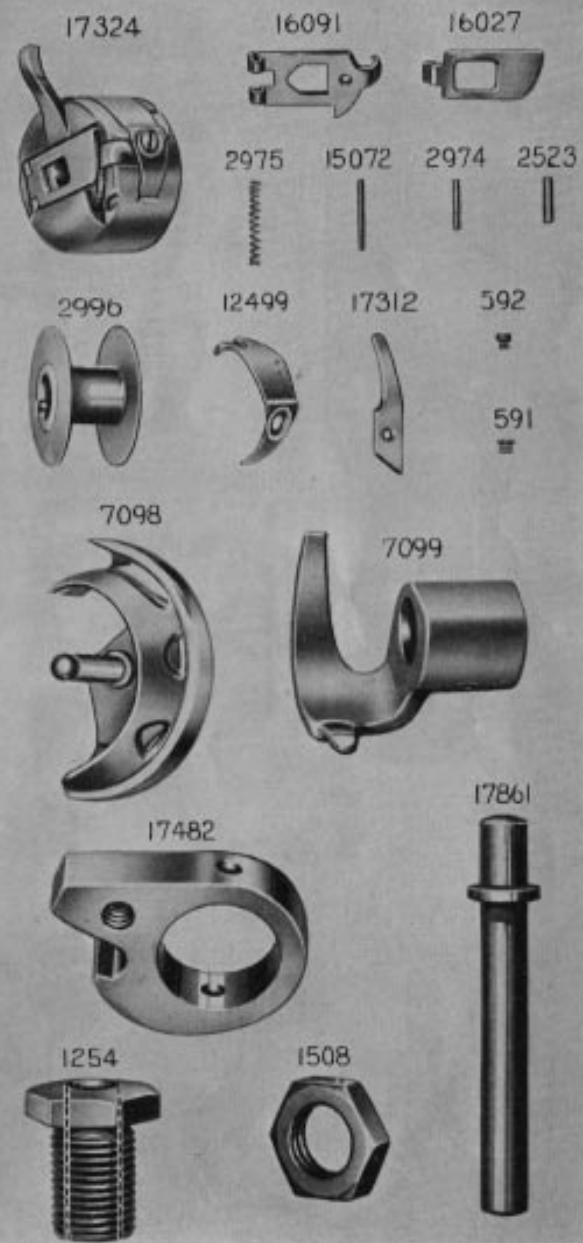


PLATE 1744—FULL SIZE

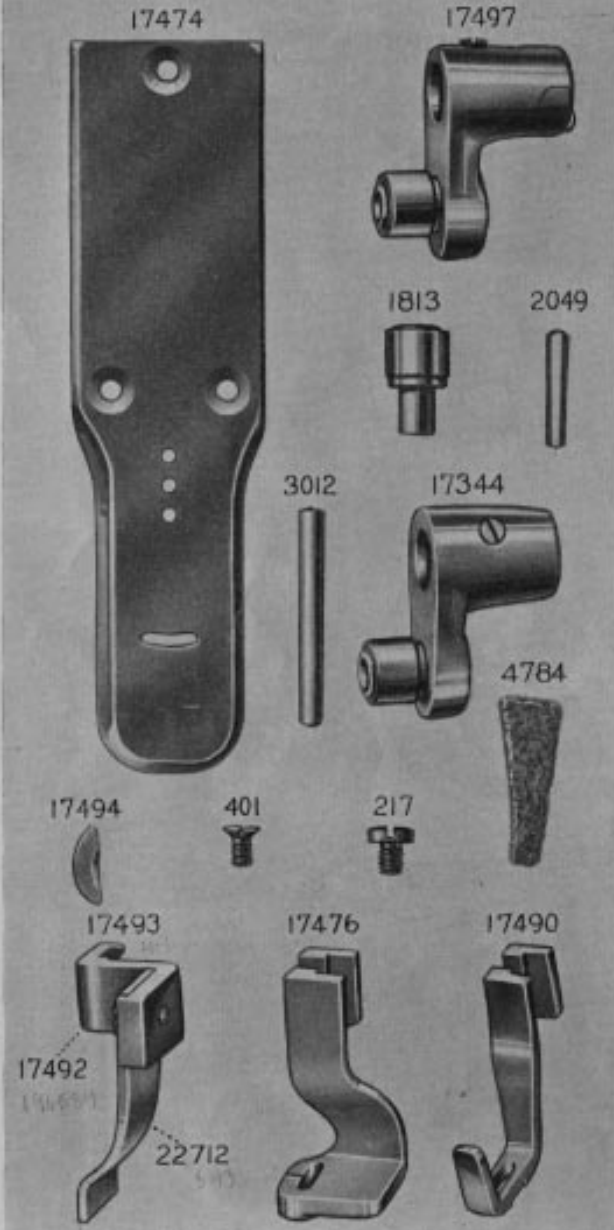


PLATE 1745—FULL SIZE

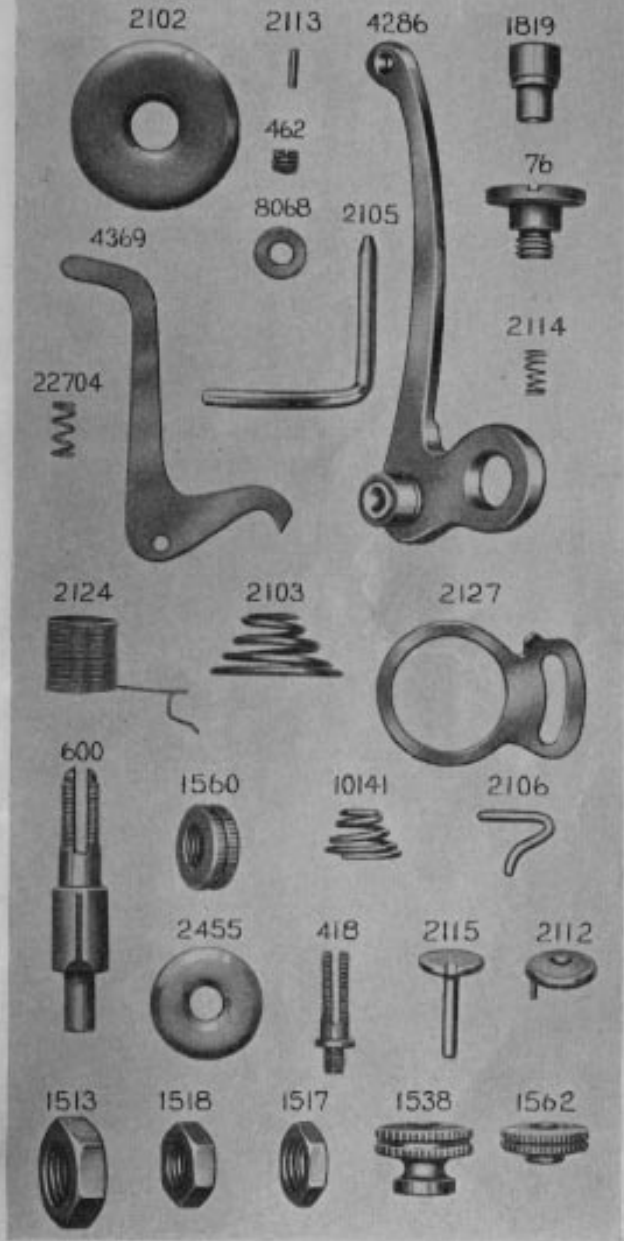


PLATE 1746—FULL SIZE

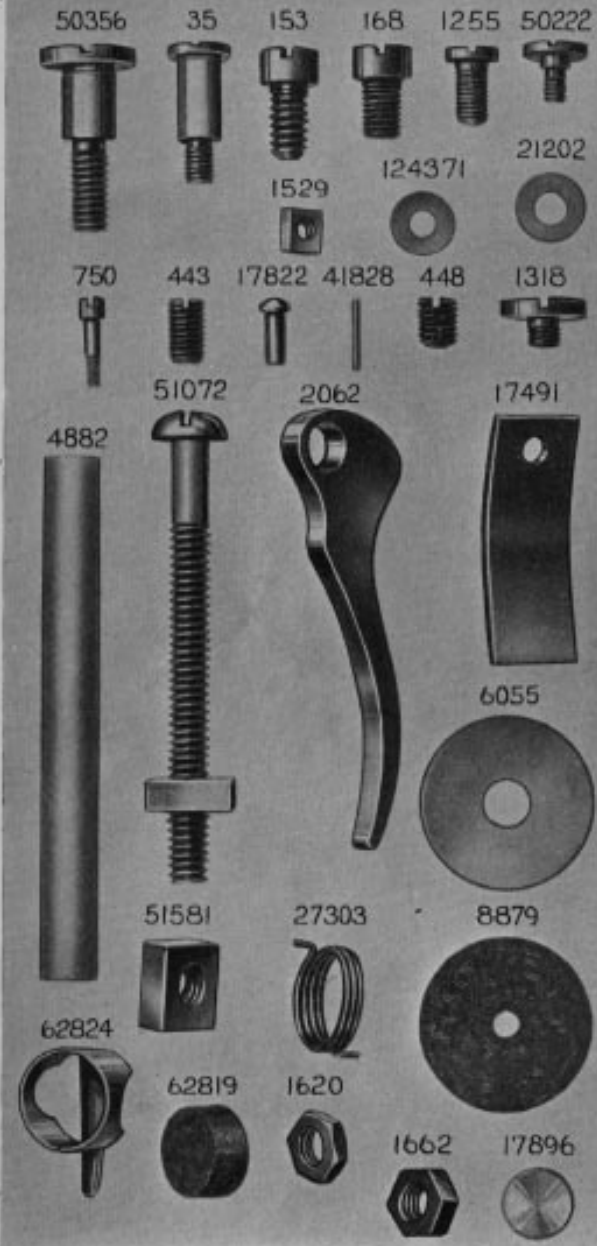


PLATE 1747—ONE-HALF SIZE

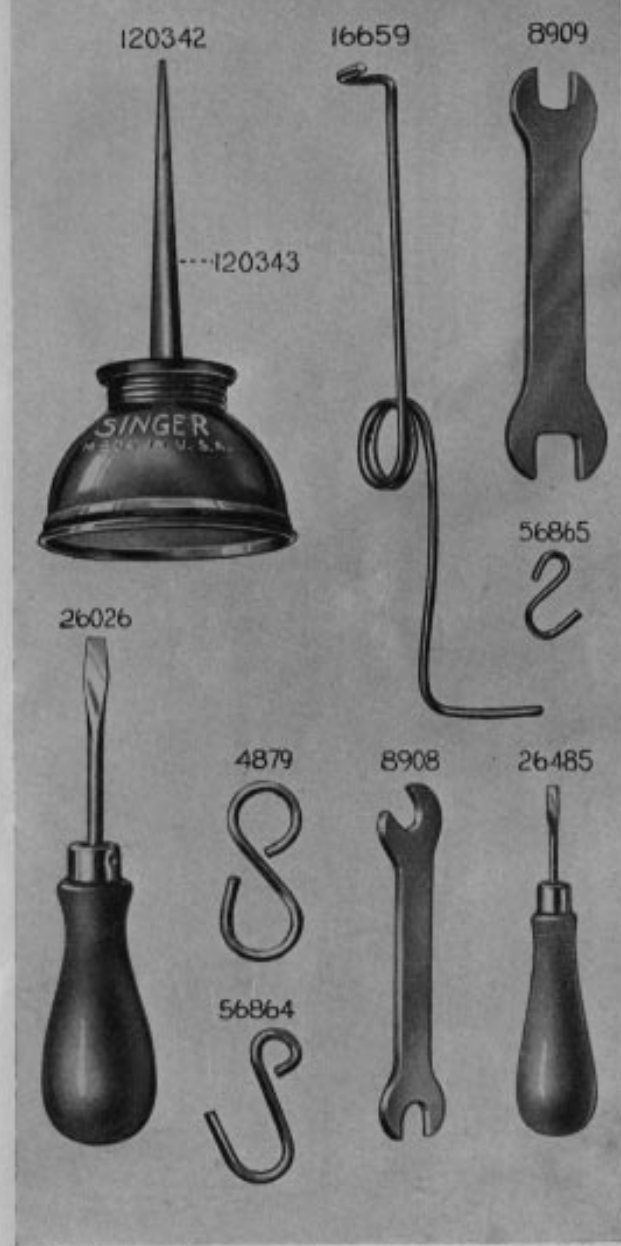


PLATE 1748—ONE-HALF SIZE

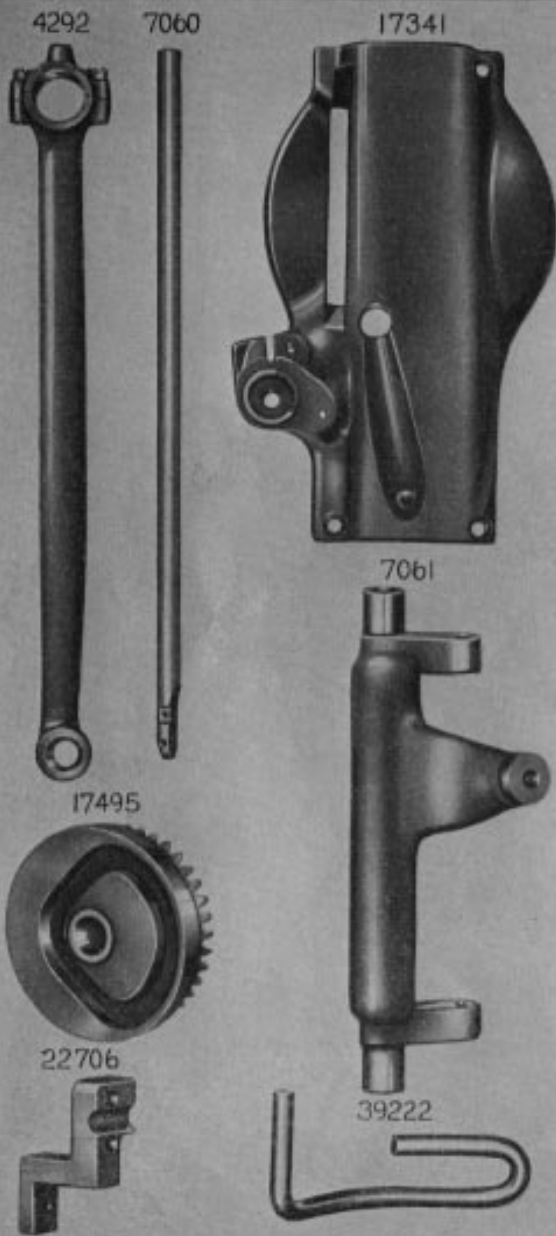


PLATE 1749—ONE-HALF SIZE

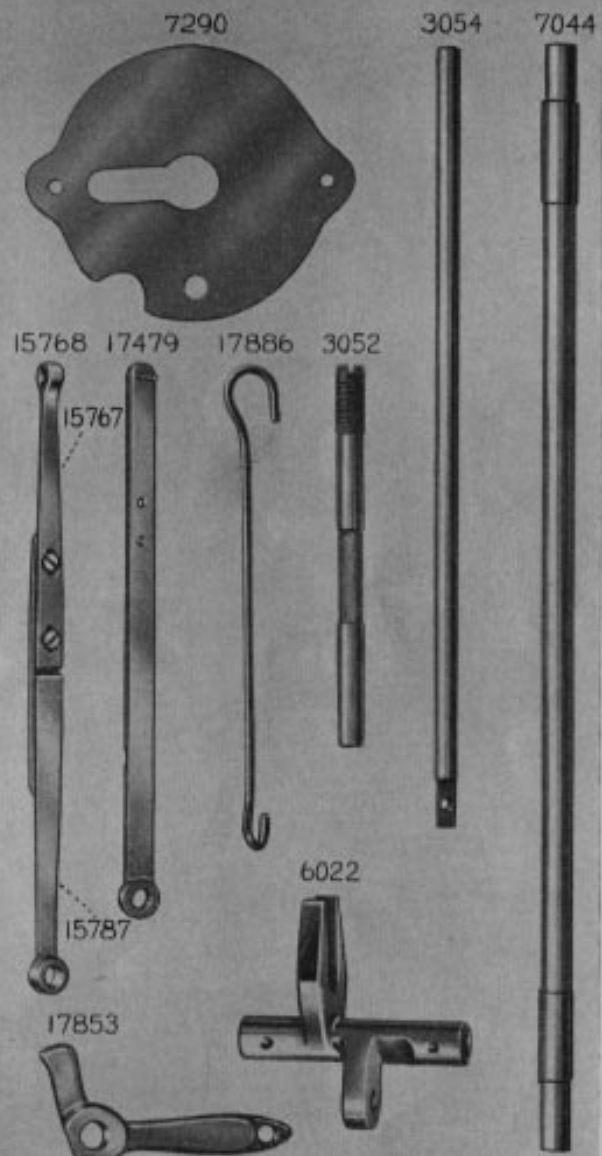


PLATE 20351—ONE-HALF SIZE

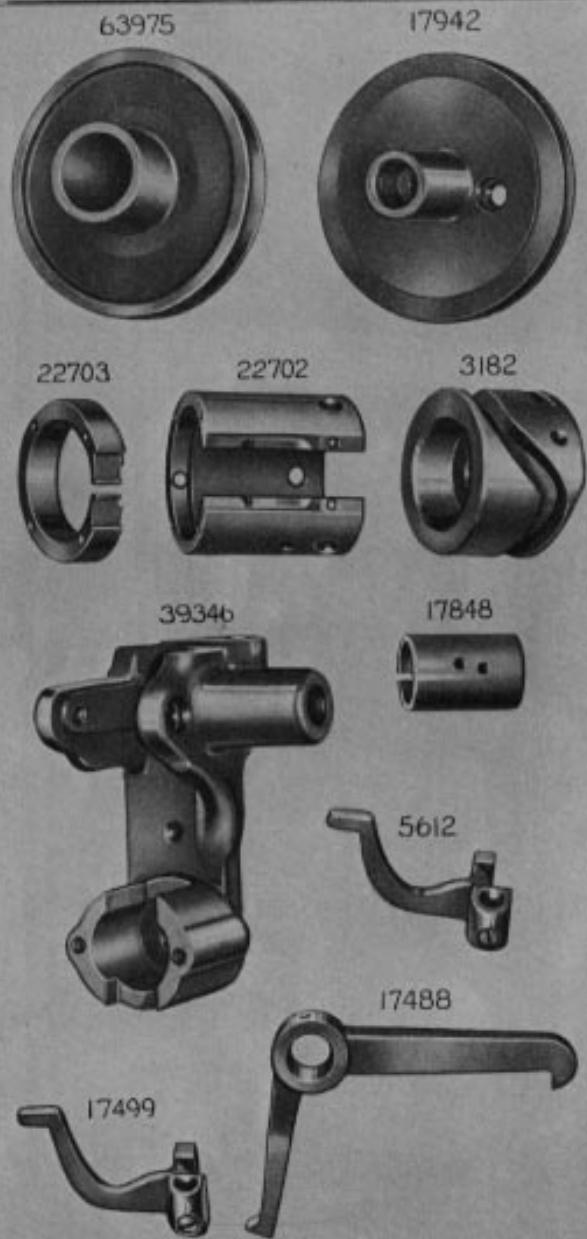


PLATE 20352—ONE-HALF SIZE

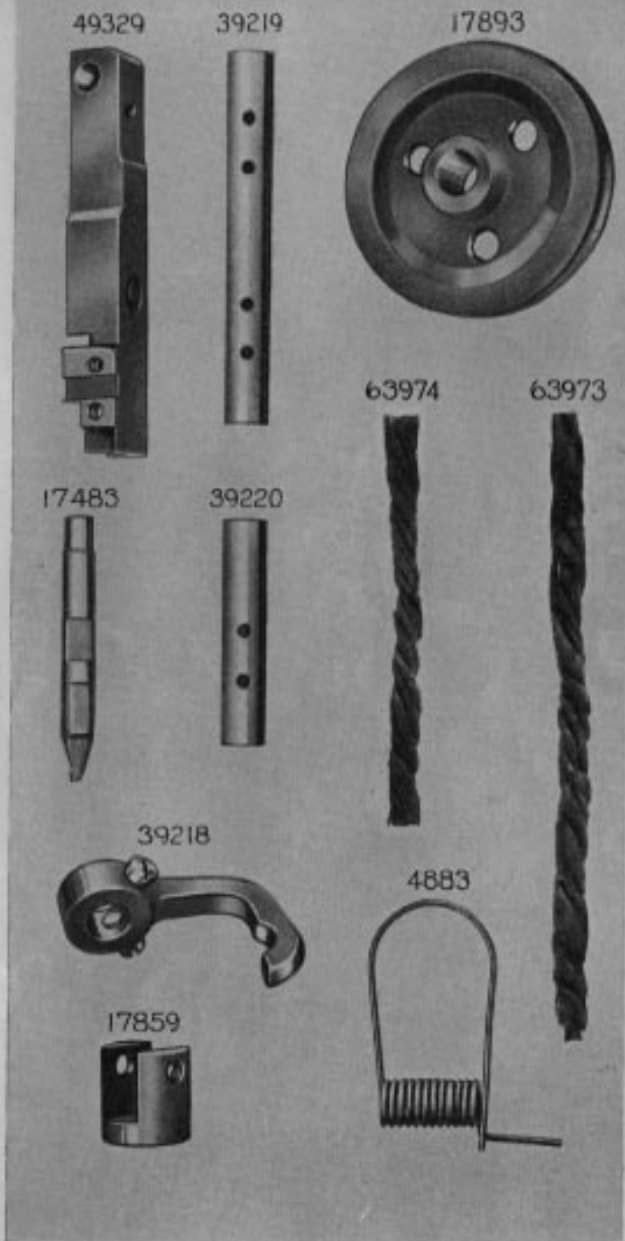


PLATE 20353—ONE-HALF SIZE

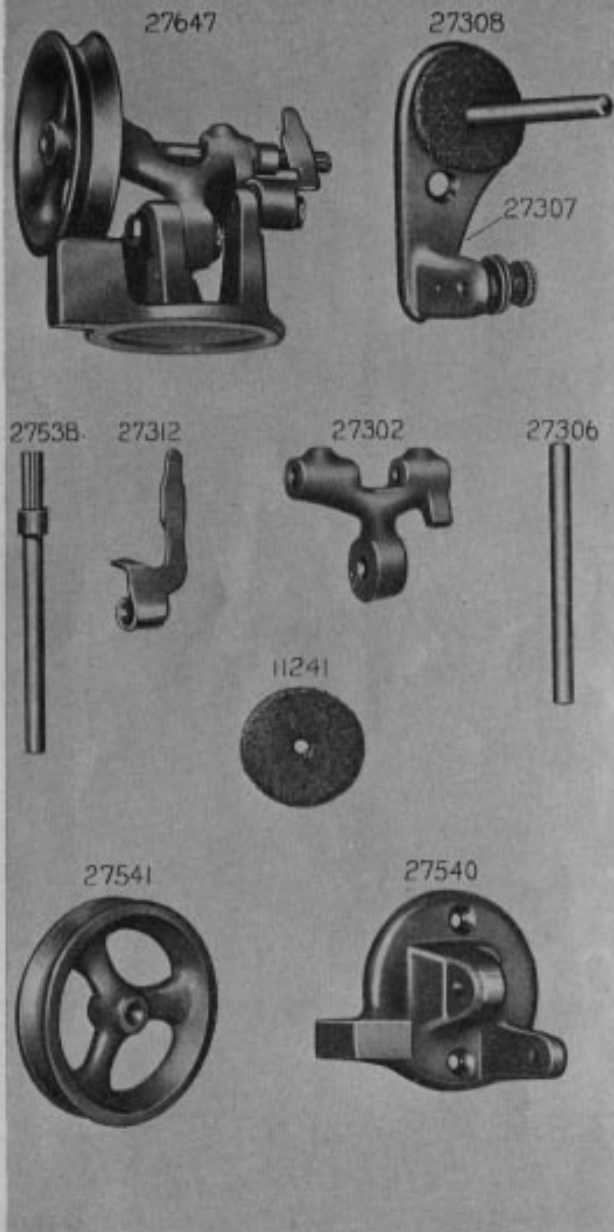


PLATE 20354—ONE-HALF SIZE

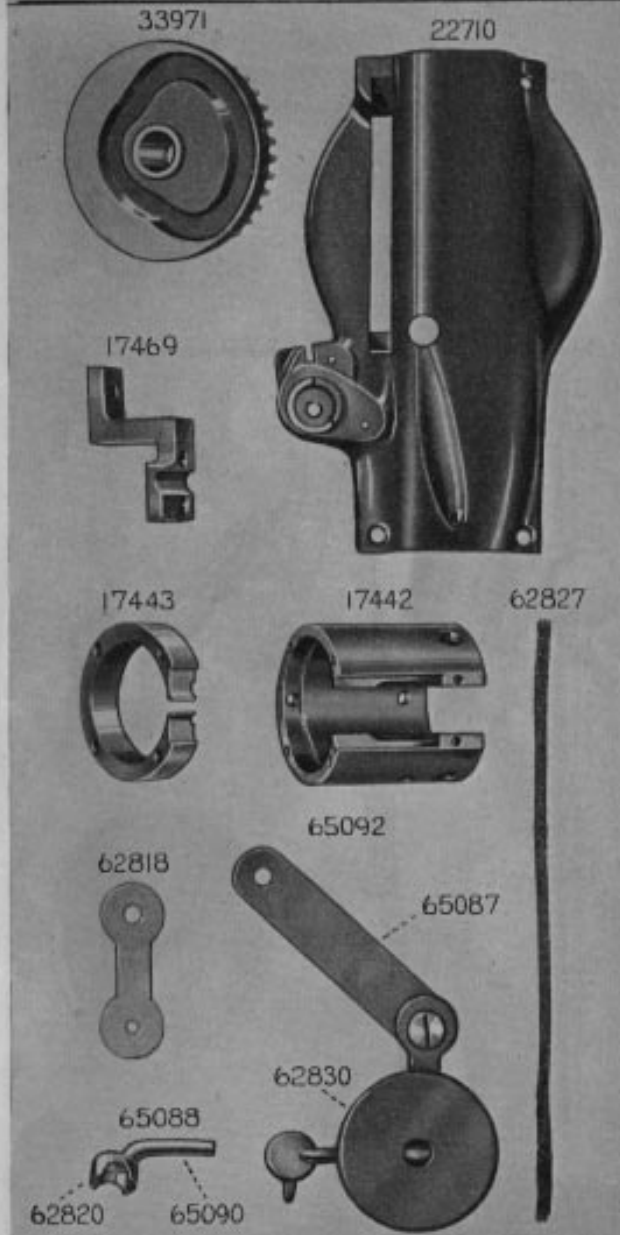


PLATE 20355—ONE-FOURTH SIZE

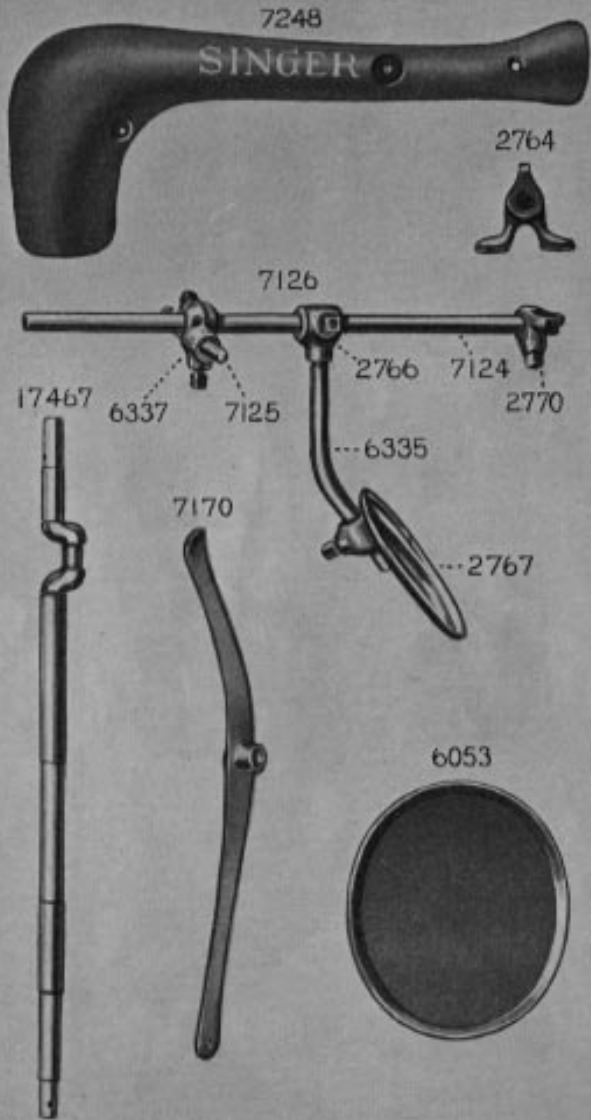


PLATE 20356—ONE-FOURTH SIZE

