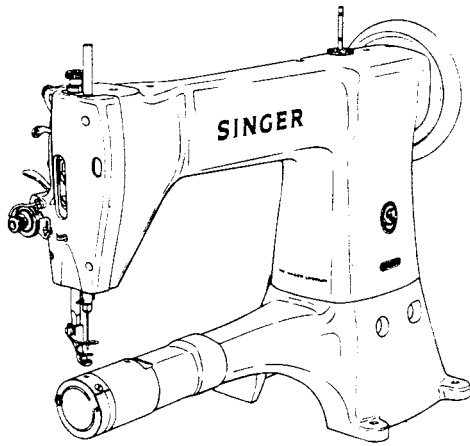


SINGER
17U133

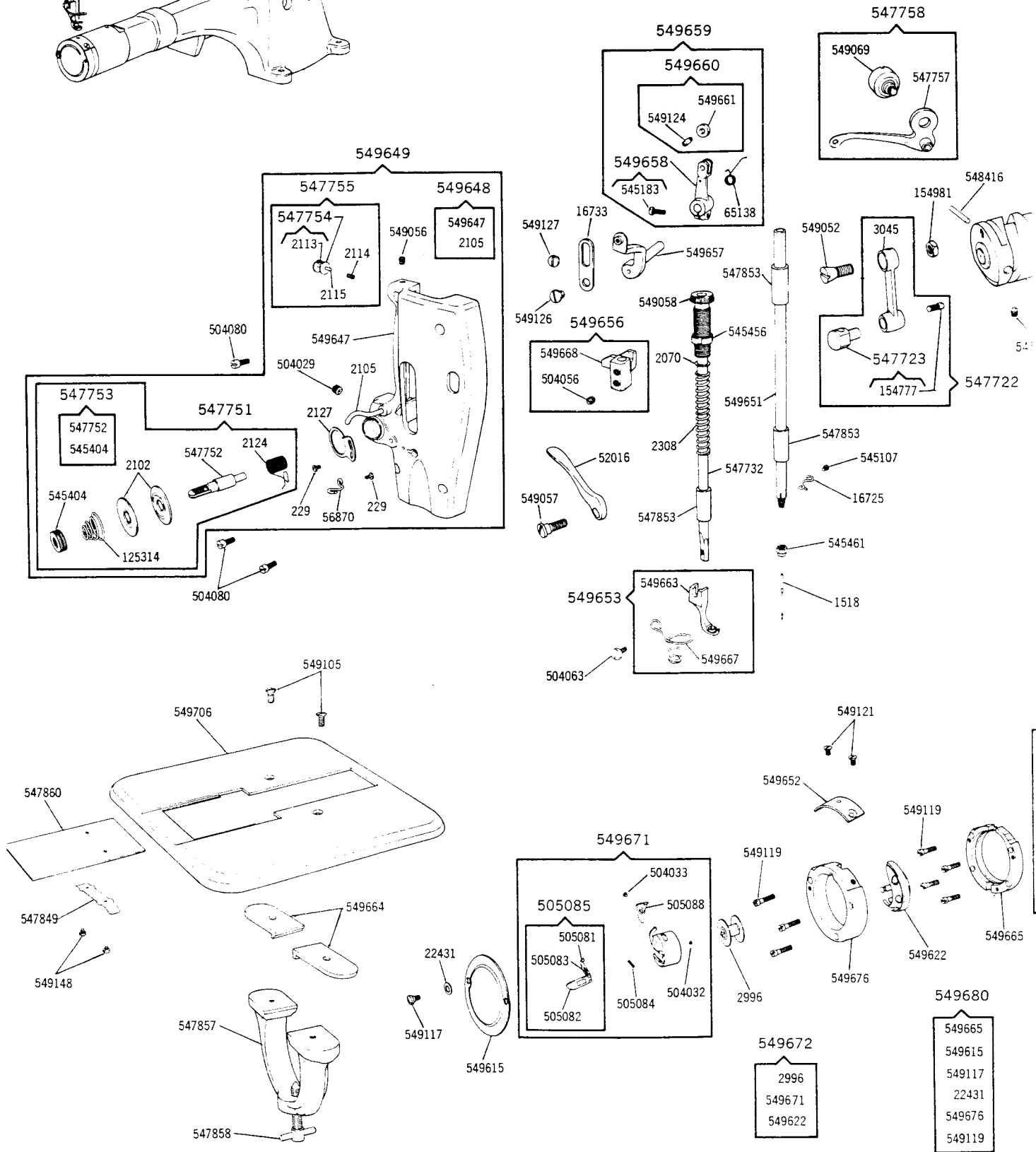
MACHINE PARTS CHART
for
SINGER*

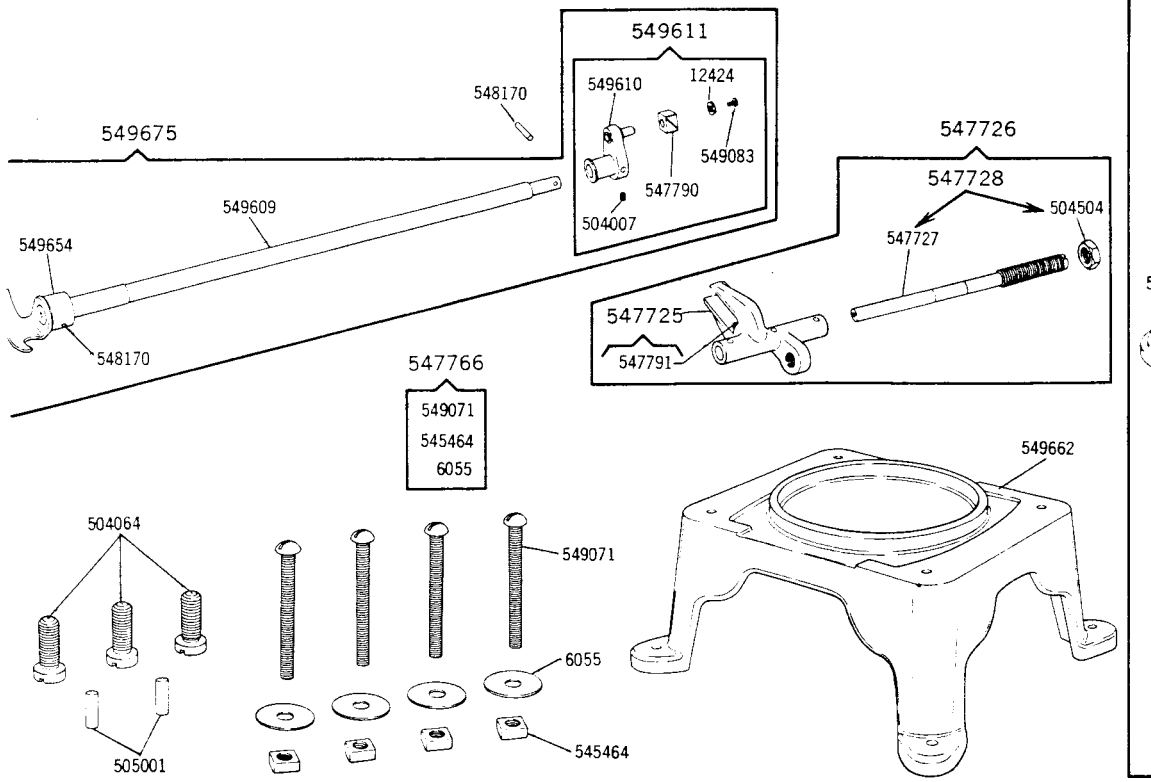
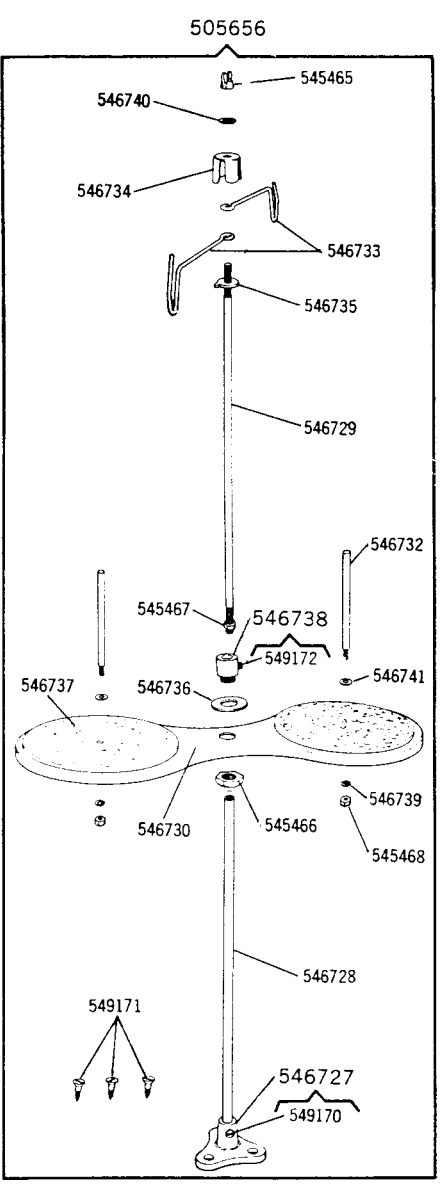
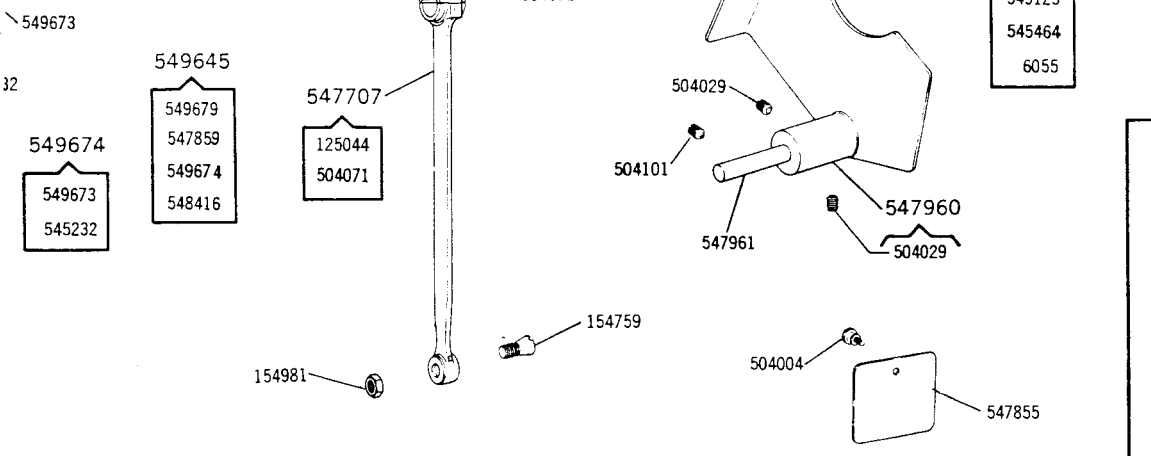
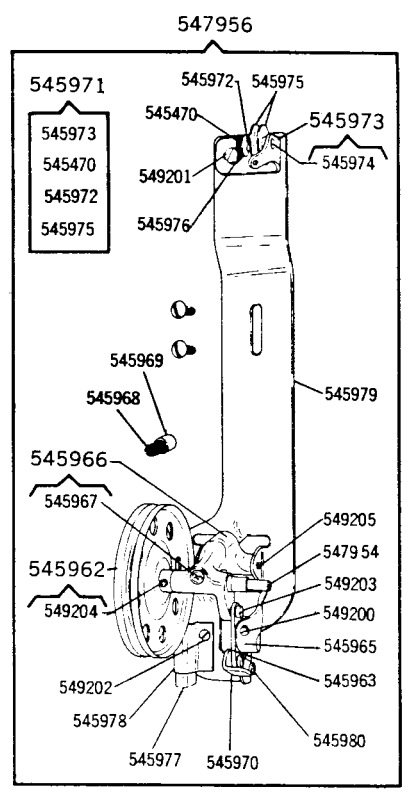
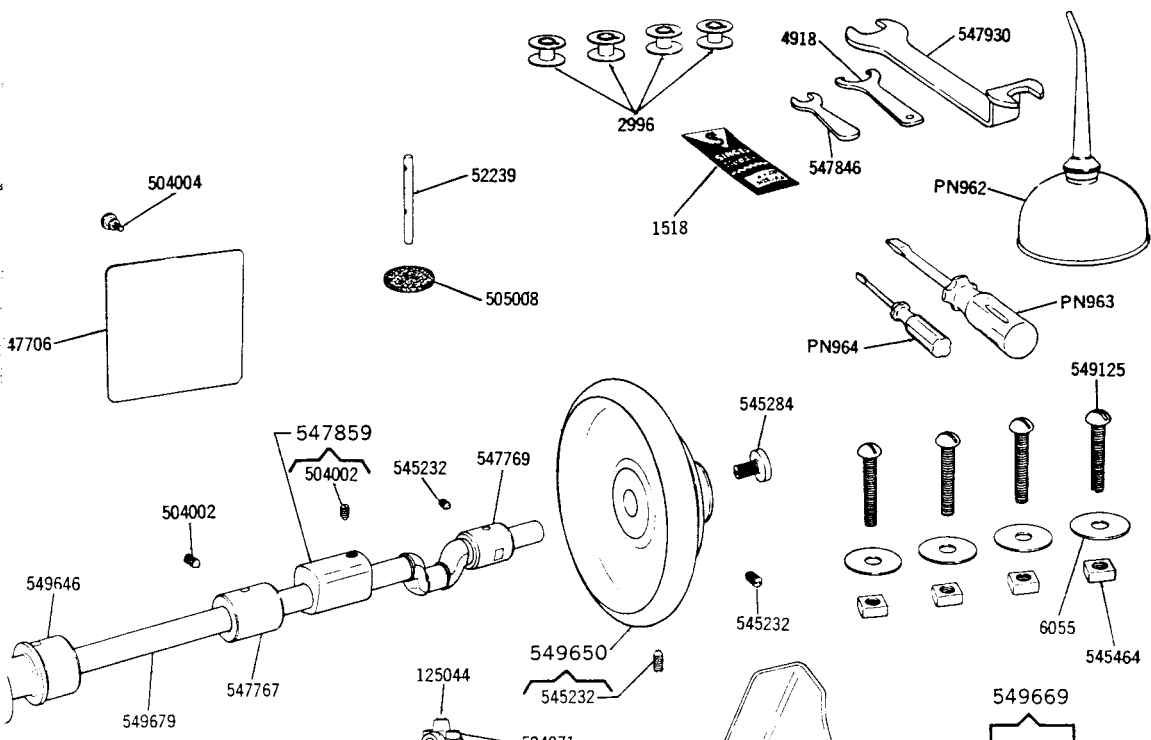
17U133



SINGER*

17U133





NUMERICAL LIST OF PARTS FOR MACHINE 17U133

PART NO.	DESCRIPTION	PART NO.	DESCRIPTION	PART NO.	DESCRIPTION
229 (809)	Face Plate Thread Guard Screw	505082	Shuttle Bobbin Case Latch Lever	549052 (803)	Needle Bar Connecting Link Hinge Screw
229 (809)	Thread Take-up Spring Regulator Plate Adjusting Screw	505083	Shuttle Bobbin Case Latch Lever Fulcrum Pin	549056 (833)	Thread Retaining Stud Set Screw
2070	Presser Bar Spring Washer	505084	Shuttle Bobbin Case Latch Spring	549057 (810)	Presser Bar Lifter Screw
2102	Tension Disc (2)	505085	Shuttle Bobbin Case Hinge Nos. 505081, 505082 and 505083	549058 (851)	Pressure Regulating Thumb Screw
2105	Tension Thread Guard	505088	Shuttle Tension Spring	549069 (851)	Thread Take-up Lever Hinge Screw
2113	Thread Retaining Disc Steady Pin	545107 (853)	Needle Bar Thread Eyelet Screw	549083 (809)	Oscillating Shaft Crank Slide Block Cap Screw
2114	Thread Retaining Spring	545183 (803)	Presser Bar Lifting Rock Shaft Arm Clamping Screw	549117 (810)	Shuttle Race Cover Hinge Screw
2115	Thread Retaining Stud	545232 (833)	Arm Shaft Bushing (back) Set Screw	549119 (850)	Shuttle Race Ring Screw (3)
2124	Thread Take-up Spring	545232 (830)	Machine Pulley Set Screw (2)	549119 (850)	Shuttle Race Screw (4)
2127	Thread Take-up Spring Regulator Plate	545232 (833)	Thread Take-up Cam Set Screw	549121 (806)	Throat Plate Screw (2)
2308	Presser Bar Spring	545284 (802)	Arm Shaft Screw	549124 (803)	Presser Bar Lifting Rock Shaft Arm Roller Screw Stud
2996	Shuttle Bobbin	545404 (856)	Tension Regulating Thumb Nut	549126 (850)	Presser Bar Lifting Rock Shaft Link Hinge Screw
3045	Needle Bar Connecting Link	545456 (851)	Pressure Regulating Thumb Screw Lock Nut	549127 (850)	Presser Bar Lifting Rock Shaft Link Cap Screw
12424	Oscillating Shaft Crank Slide Block Cap Screw Washer	545461 (829)	Needle Clamping Nut	549609	Oscillating Shaft
16725	Needle Bar Thread Eyelet	547706	Arm Side Cover	549610	Oscillating Shaft Crank
16733	Presser Bar Lifting Rock Shaft Link	547707	Crank Connecting Rod with 125044 and two 504071 (833)	549611	Oscillating Shaft Crank complete, Nos. 549610, 547790, 549083 (809), 12424 and 504007 (850)
22431	Shuttle Race Cover Hinge Screw Washer	547722	Needle Bar Connecting Link 3045 with 547723	549615	Shuttle Race Cover
52016	Presser Bar Lifter	547723	Needle Bar Connecting Stud with 154777 (850)	549622	Shuttle (body)
52239	Arm Spool Pin and Thread Eyelet	547725	Oscillating Rock Shaft with 547791	549645	Arm Shaft 549679 with 547859, 549674 and 548416
56870	Face Plate Thread Guard	547726	Oscillating Rock Shaft complete, Nos. 547725 and 547728	549646	Arm Shaft Bushing (front)
65138	Presser Bar Lifting Rock Shaft Arm Spring	547727	Oscillating Rock Shaft Hinge Pin	549647	Face Plate (body)
125044	Crank Connecting Rod Oil Pad (felt)	547728	Oscillating Rock Shaft Hinge Pin 547727 with 504504 (819)	549648	Face Plate (body) 549647 with 2105
125314	Tension Spring	547732	Presser Bar	549649	Face Plate complete, Nos. 504029 (833), 549056 (833), 56870, 549648, 547755, 2127, 547751 and two 229 (809)
154759 (850)	Crank Connecting Rod Hinge Screw	547751	Tension complete, Nos. 125314, 2124, 547753 and two 2102	549650	Machine Pulley with two 545232 (830)
154777 (850)	Needle Bar Connecting Stud Set Screw	547752	Tension Screw Stud	549651	Needle Bar
154981 (819)	Crank Connecting Rod Hinge Screw Nut	547753	Tension Screw Stud 547752 with 545404 (856)	549652	Throat Plate
154981 (819)	Needle Bar Connecting Link Hinge Screw Nut	547754	Thread Retaining Disc with 2113	549653	Presser Foot Finger Guard complete, Nos. 549663 and 549667
504002 (850)	Arm Shaft Bushing (intermediate) Set Screw	547755	Thread Retainer Guide complete, Nos. 547754, 2114 and 2115	549654	Shuttle Driver
504002 (850)	Arm Shaft Counterbalance Set Screw	547757	Thread Take-up Lever with Roller and Roller Stud	549656	Presser Bar Guide Bracket 549668 with 504056 (830)
504004 (852)	Arm Side Cover Thumb Screw	547758	Thread Take-up Lever 547757 with 549069 (851)	549657	Presser Bar Lifting Rock Shaft
504004 (852)	Cylinder Side Cover Thumb Screw	547767	Arm Shaft Bushing (intermediate)	549658	Presser Bar Lifting Rock Shaft Arm with 545183 (803)
504007 (850)	Oscillating Shaft Crank Set Screw	547769	Arm Shaft Bushing (back)	549659	Presser Bar Lifting Rock Shaft Arm 549658 with 549660 and 65138
504029 (833)	Belt Safety Guard Set Screw (2)	547790	Oscillating Shaft Crank Slide Block	549660	Presser Bar Lifting Rock Shaft Arm Roller 549661 with 549124 (803)
504029 (833)	Tension Screw Stud Set Screw	547791	Oscillating Rock Shaft Oil Pad (felt)	549661	Presser Bar Lifting Rock Shaft Arm Roller
504032 (805)	Shuttle Bobbin Case Latch Stop Screw	547853	Needle Bar Bushing (2)	549663	Presser Foot
504033 (806)	Shuttle Tension Regulating Screw	547853	Presser Bar Bushing	549665	Shuttle Race (body)
504056 (830)	Presser Bar Guide Bracket Set Screw	547855	Cylinder Side Cover	549667	Presser Foot Finger Guard
504063 (810)	Presser Foot Screw	547859	Arm Shaft Counterbalance with 504002 (850)	549668	Presser Bar Guide Bracket
504064 (805)	Arm Screw (3)	547960	Belt Safety Guard with two 504029 (833)	549671	Shuttle Bobbin Case complete, Nos. 504032 (805), 504033 (806), 505084, 505085 and 505088
504071 (833)	Crank Connecting Rod Cap Screw (2)	547961	Belt Safety Guard Shaft	549672	Shuttle 1-1/2 in. diam. Nos. 2996, 549671 and 549622
504080 (851)	Face Plate Screw (3)	548170	Oscillating Shaft Crank Pin	549673	Thread Take-up Cam
504101 (830)	Belt Safety Guard Shaft Set Screw	548170	Shuttle Driver Pin		
504504 (819)	Oscillating Rock Shaft Hinge Pin Lock Nut	548416	Thread Take-up Cam Pin		
505001	Arm Dowel Pin (2)				
505008	Arm Spool Pin Washer (felt)				
505081	Shuttle Bobbin Case Latch				

NUMERICAL LIST OF PARTS FOR MACHINE 17U133

PART NO.	DESCRIPTION	PART NO.	DESCRIPTION	PART NO.	DESCRIPTION
549674	Thread Take-up Cam with 545232 (833)	545980	Bobbin Winder Stop Latch Thumb Lever Hinge Stud (2)	546735	Thread Unwinder Thread Guide Rod Washer
549675	Oscillating Shaft with 549611, 549654 and 548170	545963	Bobbin Winder Stop Latch Trip Lever	549171	Wood Screw No. 10×1 inch (3)
549676	Shuttle Race Ring	549203 (819)	Bobbin Winder Stop Latch Trip Lever Hinge Screw		
549679	Arm Shaft	545973	Bobbin Winder Tension Bracket with 545974		
549680	Shuttle Race complete, Nos. 549665, 549615, 549117 (810), 22431, 549676 and seven 549119 (850)	545971	Bobbin Winder Tension complete, Nos. 545470 (819), 545972, 545973 and two 545975		

ACCESSORIES

549071 (809)	Machine Bolt (4)
547766	Machine Bolt 549071 (809) with 545464 (809) and 6055
545464 (809)	Machine Bolt Nut (4)
6055	Machine Bolt Washer (4)
1518 (16×229)	Needle (6)
PN962	Oiler (filled with Singer Type "B" Oil)
PN963	Screw Driver (large)
PN964	Screw Driver (small)
2996	Shuttle Bobbin (4)
549677	Work Guiding Sleeve (furnished only in special cases)
549157 (833)	Work Guiding Sleeve Stop Screw (furnished only in special cases)
4918	Wrench (for 545456)
547930	Wrench (for 154981)
547846	Wrench (for 545461)

BOBBIN WINDER

547956	Universal Bobbin Winder complete, Nos. 545962, 545963, 545965, 545966, 545968, 545969, 545970, 545971, 545976, 545977, 545978, 545979, 547954, 549200 (819), 549201 (819), 549202 (819), 549203 (819), 549205 and two 545980 with two 5.5×19 Wood Screws
545979	Bobbin Winder and Tension Bracket Base
545977	Bobbin Winder Brake
545978	Bobbin Winder Brake Clamp
549202 (819)	Bobbin Winder Brake Clamp Screw
545966	Bobbin Winder Frame with 545967
549205	Bobbin Winder Frame Hinge Pin
545967	Bobbin Winder Frame Oil Cup
545968	Bobbin Winder Frame Spring
545969	Bobbin Winder Frame Spring Plunger
545962	Bobbin Winder Pulley with 549204 (819)
549204 (819)	Bobbin Winder Pulley Set Screw
547954	Bobbin Winder Spindle
545965	Bobbin Winder Stop Latch
549200 (819)	Bobbin Winder Stop Latch Screw
545970	Bobbin Winder Stop Latch Thumb Lever

549201 (819)	Bobbin Winder Tension Bracket Screw
545976	Bobbin Winder Tension Bracket Screw Washer
545975	Bobbin Winder Tension Disc (2)
545972	Bobbin Winder Tension Spring
545974	Bobbin Winder Tension Stud
545470 (819)	Bobbin Winder Tension Stud Thumb Nut Wood Screw 5.5×19 (2)

THREAD UNWINDER

505656	Thread Unwinder (for two spools) complete, Nos. 545465 (856), 545466 (856), 545467 (856), 546727, 546728, 546729, 546730, 546734, 546735, 546736, 546738, 546740, three 549171 and two each 545468 (856), 546732, 546733, 546737, 546739 and 546741
546732	Thread Unwinder Spool Pin (2)
545468 (856)	Thread Unwinder Spool Pin Nut (2)
546739	Thread Unwinder Spool Pin Spring Washer (2)
546741	Thread Unwinder Spool Pin Washer (2)
546738	Thread Unwinder Spool Rest Bushing with 549172 (850)
545466 (856)	Thread Unwinder Spool Rest Bushing Nut
546736	Thread Unwinder Spool Rest Bushing Nut Washer
549172 (850)	Thread Unwinder Spool Rest Bushing Set Screw
546737	Thread Unwinder Spool Rest Felt (2)
546730	Thread Unwinder Spool Rest (for two spools)
546728	Thread Unwinder Spool Rest Rod (lower)
549170 (828)	Thread Unwinder Spool Rest Rod (lower) Set Screw
546729	Thread Unwinder Spool Rest Rod (upper)
545467 (856)	Thread Unwinder Spool Rest Rod (upper) Nut
546727	Thread Unwinder Spool Stand with 549170 (828)
546733	Thread Unwinder Thread Guide (2)
545465 (856)	Thread Unwinder Thread Guide Lock Nut
546740	Thread Unwinder Thread Guide Lock Nut Spring Washer
546734	Thread Unwinder Thread Guide Position Cup

MACHINE BASE

549662	Machine Base
549125 (809)	Machine Bolt (4) (Bed-Machine Base)
549669	Machine Bolt 549125 (809) with 545464 (809) and 6055 (Bed-Machine Base)
545464 (809)	Machine Bolt Nut (4) (Bed-Machine Base)
6055	Machine Bolt Washer (4) (Bed-Machine Base)

CLOTH PLATE

549706	Cloth Plate
547857	Cloth Plate Bracket
547858	Cloth Plate Bracket Set Screw
549105 (853)	Cloth Plate Screw (2)
547860	Cloth Plate Slide
547849	Cloth Plate Slide Spring
549148 (832)	Cloth Plate Slide Spring Screw (2)
549664	Cloth Plate Washer (2)