

SINGER
11W2

LIST OF PARTS



MACHINE No. 11w2

THE SINGER MANUFACTURING COMPANY

INDEX

	PAGE
ACCESSORIES	14
KNEE LIFTER	14
MACHINE No. 11w2	7
NUMERICAL LIST OF PARTS	15

Instructions for Ordering

In ordering from this list, use **ONLY** the **PART** number in the **FIRST** column.

The number stamped on a Sewing Machine Part is the number of the Single Part only, except when the part includes Set Screws, Clamping Screws, Studs and Rollers Spun on, Small Wires riveted, or Parts soldered together, etc., which it is necessary to furnish in combination.

Every combination of parts sent out has its specific number which, although not stamped on Parts (except in above cases) must be used when ordering the combination.

Each number always indicates the **SAME PART** in whatever list it appears, or for whatever Machine.

The letters after some of the numbers indicate the style of finish only, as follows:

- A. Hardened, Polished and Plated.
- B. Polished and Plated.
- C. Hardened only.
- D. Polished only.
- E. Soft, not polished.
- F. Hardened and Polished.
- H. Blued.

These letters **MUST BE USED** when they appear in the list and **AFTER** the number, as in the list.

In this series

200001 to 201500 are Screw Numbers.

201501 to 201800 are Nut Numbers.

201801 to 202000 are Roller Numbers.

202001 and upward are numbers of Machine Parts.

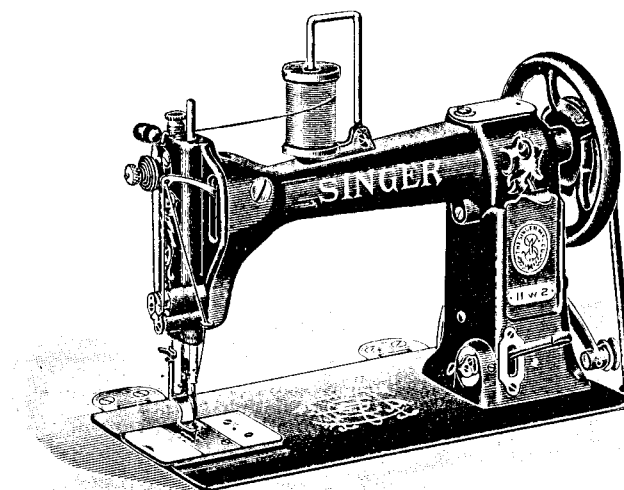
The figures in the second column refer only to the plate in which the illustration of the part is shown and are **NOT TO BE USED** in ordering.

Two or more numbers over a cut indicate that the difference between such parts is not visible in an illustration.

Parts marked with an asterisk (*) are furnished only when repairs are made at the factory.

LIST OF PARTS COMPLETE

FOR



MACHINE No. 11w2

HAS LOOSE PULLEY.

For Shirts, Underwear, Wrappers, etc.

No.	Plate	Name
*203921	—	Arm with 200009H, 202002, 202135, 203922 and 204234
204163	10710	Arm Cap
200278H	10710	" " Screw
202248	10710	" " Washer
202004	12653	" Position Pin (2)
200963E	10206	" Screw (3)
202005	12653	" Washer (3)
203923	12658	" Shaft
202002	12653	" Bushing
200009H	12653	" " Stop Screw
203924	—	" " Connection with 202009 and two 200054E
203925	12654	Arm Shaft Connection 203924 with 203926, two each 200822c, 201525E and 202668

No.	Plate	Name
*202009	—	Arm Shaft Connection Cap
200054E	10206	" " " " Screw
203926	12653	" " " Slide Block ...
203927	10708	" " " " " Stud
200427C	12653	" " " " " "
		Position Screw
200352C	12653	Arm Shaft Connection Slide Block
		Stud Set Screw
203922,	12654	Arm Side Plate
203969	—	Balance Wheel, 5½ in. diam. (belt groove 2¼ in. diam.), with 200328c and 200335c
200062H	10710	Balance Wheel Adjusting Screw..
200328c	10706	" " Position Screw
208783	—	" " Pulley, 2¼ in. diam.
202015	10204	" " " Spring Washer
200335c	10204	" " Set Screw
201569B	10204	" " Thumb Nut with 200609F
200609F	10204	Balance Wheel Thumb Nut Stop Screw
202016	10204	Balance Wheel Thumb Nut Stop Washer
203968	12658	Balance Wheel complete, Nos. 201569B, 202015, 202016, 203969 and 208783
*203929	—	Bed with 200328c and 205965
202168	12653	" Hinge Connection (2)
200575H	10710	" " " Screw (4)
208778	12654	" Plate (back)
200577H	12653	" " " Screw
202113	—	" Slide (front)
202114	12654	" " 202113 with 202115 and two 200144E
202115	12653	Bed Slide (front) Spring
200144E	10206	" " " " Screw ..
202053	12653	Bobbin
*203931	—	" Case
202055	12653	" " Latch
*202056	—	" " " Pin
*202100	—	" " " Post
202101	12653	" " " " Washer ...
202057	12653	" " " Spring
202058	12653	" " " " Plunger ..
200984c	12653	" " Tension Regulating Screw
203932	12653	Bobbin Case Tension Spring
200594c	12653	" " " " Screw

No.	Plate	Name
203933	10707	Bobbin Case complete, Nos. 200594c, 200984c, 202055 to 202058, 202100, 202101, 203931 and 203932
203934	10706	Bobbin Case Stop
200390c	10706	" " " Adjusting Screw
203936	10706	" " " Bracket
200027E	10706	" " " " Screw ...
205979	12653	" " " Hinge Pin
203935	10706	" " " Spring
203966	10706	Bobbin Case Stop Bracket complete, Nos. 200390c, 203934 to 203936 and 205979
202232	—	Bobbin Winder Frame
202233	12655	" " " 202232 with 202136, 202189 and 204925
200219D	12655	Bobbin Winder Frame Hinge Screw
202188	12655	" " " Spring
202135	12655	" " " Stop Pin
202136	12655	" " Pulley
202189	12655	" " Spindle
204925	10707	" " " Washer
203937	10702	Face Plate with 202023, 202087, 204281 and four 200368H
200053c	10206	Face Plate Screw
202023	12653	" " Thread Guide
200368H	12653	" " " " Set Screw
203938	10702	Face Plate complete, Nos. 200577H, 203937, 203963, 203965, 204059 and 204795
203939	12655	Feed Bar with 204340
200365c	12653	" " Adjusting Screw
203940	10706	" " " Spring (flat) ...
200131E	10206	" " " " Screw
200415c	10706	" " Screw Center
201525E	10206	" " " " Nut
203941	10706	" " Spring (spiral)
204340	10707	" " " Hook
204189	10707	" " " " (on Bed) ...
203942	10702	Feed Bar complete, Nos. 200365c, 202033, 203939, 203940 and four 200131E
202033	12655	Feed Dog
200131E	10206	" " Screw
203943	10708	" Driving Crank
205977	—	" " " 203943 with 200252c, 201531E and 203944
203944	10708	Feed Driving Crank Link
200252c	10708	" " " " Screw Stud

No.	Plate	Name
201531E	10708	Feed Driving Crank Link Screw Stud Nut
200648E	10706	Feed Driving Crank Screw Stud
200372C	10706	" " " " "
		Check Screw
202668	10707	Feed Driving Crank Slide Block
200822C	10707	" " " " "
		Screw Stud
201525E	10206	Feed Driving Crank Slide Block Screw Stud Nut
203945	12658	Feed Driving Rock Shaft with two each 200415c and 201525E
203946	10702	Feed Driving Rock Shaft Crank with two 200378c, 200415c and 201525E
203947	10702	Feed Driving Rock Shaft Crank Connection with 200819c
200415c	10706	Feed Driving Rock Shaft Crank Connection Screw Center
201525E	10206	Feed Driving Rock Shaft Crank Connection Screw Center Nut ..
200378c	12653	Feed Driving Rock Shaft Crank Set Screw
200414c	10706	Feed Driving Rock Shaft Screw Center (2)
201512E	10706	Feed Driving Rock Shaft Screw Center Nut (2)
203948	10706	Feed Lifting Cam with 200390c and 202126
202126	12653	Feed Lifting Cam Position Pin ...
200390c	10706	" " " Set Screw
*203949	10708	" Regulating Handle
203950	10708	" " " Escutcheon
200137H	10708	" " " " "
		Screw (2)
202064	12653	Feed Regulating Handle Position Pin
*203951	10708	Feed Regulator and Reverser ...
203996	—	" " " " 203951 with 202064 and 203949
203952	10708	Feed Regulator and Reverser Sleeve (split)
200362C	10708	Feed Regulator and Reverser Sleeve Set Screw
202668	10707	Feed Regulator and Reverser Slide Block
200819c	10707	Feed Regulator and Reverser Slide Block Screw Stud
203953	10708	Feed Regulator and Reverser Stop

No.	Plate	Name
204234	10708	Feed Regulator and Reverser Stop Pin
200113F	10708	Feed Regulator and Reverser Stop Screw
203954	10708	Feed Regulator and Reverser Stop Screw Washer
200084c	10708	Feed Regulator and Reverser Stop Screw Washer Screw
203970	10702	Feed Regulator and Reverser complete, Nos. 200084c, 200113F, 203952 to 203954 and 203996
*202051	—	Hook (sewing)
208742	12654	" 202051 with 200610F, 200611F, 202063, 202064 and 208741
203955	10206	Hook 208742 with 203948 and 203956
203980	—	Hook and Bobbin Case complete, Nos. 203933 and 203955
202063	12653	Hook Gib
200610F	12653	" " Hinge Screw
200611F	12653	" " Screw
202064	12653	" Pin
*208741	—	" Shaft, 9/8 in. long
205965	12653	" " Bushing
200328c	10706	" " " Position Screw..
208825	12653	" " Crank
205980	—	" " " 208825 with two 200378c
200378c	12653	Hook Shaft Crank Set Screw
202668	10707	" " " Slide Block
200822c	10707	" " " " " Screw Stud
201525E	10206	Hook Shaft Crank Slide Block Screw Stud Nut
203956	12656	Hook Washer
203971	12658	Knee Lifter Connection Lever with 203976
203974	—	Knee Lifter Connection Lever 203971 with 203972, 203973 and two 200262H
200262H	12656	Knee Lifter Connection Lever Hinge Screw
203972	12658	Knee Lifter Connection Lever Lifting Rod with 202302
202302	10710	Knee Lifter Connection Lever Lifting Rod Cotter Pin
203976	10710	Knee Lifter Connection Lever Pin
203973	12657	" " Lifting Lever
200262H	12656	" " " " Hinge Screw

No.	Plate	Name
203957	10702	Needle Bar with 200117c, 200175D and 203967
203959	10707	Needle Bar Connecting Link
200667c	10204	" " " " Screw Stud
*208735	—	Needle Bar Connecting Stud
208736	12656	" " " " 208735 with two 200387c
200387c	10204	Needle Bar Connecting Stud Set Screw
203967	10707	Needle Bar Thread Guide
200175D	10707	" " " " Screw ..
200117c	12656	" Set Screw
203958	10702	Presser Bar (hollow) with 200074F
202046	10204	" " Guide Bracket with 200387c
200387c	10204	Presser Bar Guide Bracket Set Screw
202047	10204	Presser Bar Lifter
200026D	12656	" " " Hinge Screw ...
202048	12656	" " Sleeve
205975	10706	" " Spring
200499B	12656	" " Thumb Screw (pressure regulating)
229851	12655	Presser Foot
200074F	12656	" " Screw
202068	10710	Spool Holder Base
200575H	10710	" " " Screw
204296	10710	" " Wire
200079H	10710	" " " Screw
204297	—	Spool Holder complete, Nos. 200079H, 202068 and 204296
203960	10702	Take-up Cam 200335c, 200431c and 200667c
200431c	10206	Take-up Cam Position Screw
200335c	10204	" " Set Screw
203961	10707	" Lever with 201816
200251B	10707	" " Bearing Screw
201816	12656	" " Roller
203962	10707	Tension Disc (back or front)
202149	12656	" Release Plunger
208696	—	" Slide
202076	12656	" " 208696 with 202077 ..
202077	12656	" " Spring
202407	12656	" Spring
200633B	10707	" Stud
200368H	12653	" " Set Screw
201572B	12656	" Thumb Nut
204271	12656	" Washer

No.	Plate	Name
203963	10707	Tension complete, Nos. 200633B, 201572B, 202149, 202407, 204271 and two 203962
204274	12656	Thread Controller Plate
200577H	12653	" " " Screw
202098	12656	" " Roller
204275	12656	" " " Guard
202084	12656	" " " Washer
200300c	12656	" " " Screw
203964	10707	" " Spring
204333	12656	" " " Guard
200581H	12656	" " " " Screw
202087	10707	" " " Stop
204795	10707	" " " Stud with 204925
200368H	12653	Thread Controller Spring Stud Set Screw
204925	10707	Thread Controller Spring Stud Washer
203965	10707	Thread Controller complete, Nos. 200300c, 200581H, 202084, 202098, 203964, 204274, 204275 and 204333
202095	12656	Thread Cutter
200137H	10708	" " Screw
204281	12656	" Retainer Guide Wire
202091	12656	" " Sleeve
202092	12656	" " Spring
204058	12656	" " Stud
200368H	12653	" " " Set Screw
204059	12653	Thread Retainer complete, Nos. 202091, 202092 and 204058
202097	12655	Throat Plate with 202131, for needle sizes 18 and smaller
Note: No. 202097 will be furnished with Machine unless another Throat Plate is ordered.		
202096	12655	Throat Plate, for needle size 20 ..
202131	12656	" " Needle Hole Bushing
200577H	12653	" " Screw (2)

ACCESSORIES

No.	Plate	Name
202053	12653	Bobbin (5)
*225482	—	" Case Screw Driver Blade ..
*225483	—	" " " " Handle ..
225497	12654	Bobbin Case Screw Driver complete, Nos. 225482 and 225483 ..
231337	12657	Cloth Guide
200462B	12657	" " Thumb Screw
225503	12657	Hemmer Foot, $\frac{3}{8}$ in. hem
130x17	—	Needles, three each, sizes 12 and 14
225045	—	Drip Pan with four wood screws $\frac{1}{2}$ in., No. 5
41400	12654	Machine Rest Pin (wood), $3\frac{1}{8}$ in. long
36569	12654	Oiler with 36571
36570	—	" 36569 filled with oil
36571	12654	" Spout, $1\frac{1}{4}$ in. long, with 36807
36807	—	" " Washer (leather)
*225484	—	Screw Driver Blade
*225485	—	" " Handle
225498	12654	Screw Driver complete ($7\frac{1}{4}$ in. long), Nos. 225484 and 225485 ..
225554	12654	Wrench (steel)
KNEE LIFTER		
202450	—	Rock Lever with 200522c and 200529c
202185	—	Rock Lever 202450 with two each 202451 and 202452
208977	12658	Rock Lever 202185 with 202614 and 202866
202453	12658	Rock Lever Knee Plate with 200526c
202866	—	Rock Lever Knee Plate 202453 with 203975
203975	12658	Rock Lever Knee Plate Arm
200522c	10710	" " " " " Set Screw
200526c	12657	Rock Lever Knee Plate Set Screw
202451	12658	" " Lug with two wood screws $\frac{1}{8}$ in., No. 13R
202452	10710	Rock Lever Lug Hinge Pin
202614	12658	" " Rod, 5 in. long, with 202456
*202456	—	Rock Lever Rod Cap or Oil Guard
200529c	10710	" " " Set Screw

NUMERICAL LIST OF PARTS

FOR

MACHINE No. 11w2

NUMERICAL LIST OF PARTS

No.	Plate	Name
36569	12654	Oiler with 36571, for 36570
36570	"	" 36569 filled with oil
36571	12654	" Spout, 1 $\frac{1}{4}$ in. long, with 36807, for 36569
36807	"	Oiler Spout Washer (leather), for 36571
41400	12654	Machine Rest Pin (wood), 3 $\frac{3}{4}$ in. long
200009n	12653	Arm Shaft Bushing Stop Screw, for 203921
200026n	12656	Presser Bar Lifter Hinge Screw ..
200027e	10706	Bobbin Case Stop Bracket Screw ..
200053e	10206	Face Plate Screw
200054e	10206	Arm Shaft Connection Cap Screw, for 203924
200062n	10710	Balance Wheel Adjusting Screw
200074e	12656	Presser Foot Screw, for 203958 ..
200079n	10710	Spool Holder Wire Screw, for 204297
200084e	10708	Feed Regulator and Reverser Stop Screw Washer Screw, for 203970
200113e	10708	Feed Regulator and Reverser Stop Screw, for 203970
200117e	12656	Needle Set Screw, for 203957
200131e	10206	Feed Bar Adjusting Spring Screw, for 203942
200131e	10206	Feed Dog Screw, for 203942
200137n	10708	" Regulating Handle Escut- cheon Screw
200137n	10708	Thread Cutter Screw
200144e	10206	Bed Slide (front) Spring Screw, for 202114
200175n	10707	Needle Bar Thread Guide Screw, for 203957
200219n	12655	Bobbin Winder Frame Hinge Screw
200251n	10707	Take-up Lever Bearing Screw
200252e	10708	Feed Driving Crank Link Screw Stud, for 205977
200262n	12656	Knee Lifter Connection Lever Hinge Screw, for 203974
200262n	12656	Knee Lifter Lifting Lever Hinge Screw, for 203974
200278n	10710	Arm Cap Screw
200300e	12656	Thread Controller Roller Screw, for 203965

No.	Plate	Name
200328c	10706	Balance Wheel Position Screw, for 203969
200328c	10706	Hook Shaft Bushing Position Screw, for 203929
200335c	10204	Balance Wheel Set Screw, for 203969
200335c	10204	Take-up Cam Set Screw, for 203960
200352c	12653	Arm Shaft Connection Slide Block Stud Set Screw
200362c	10708	Feed Regulator and Reverser Sleeve Set Screw
200365c	12653	Feed Bar Adjusting Screw, for 203942
200368H	12653	Face Plate Thread Guide Set Screw, for 203937
200368H	12653	Tension Stud Set Screw, for 203937
200368H	12653	Thread Controller Spring Stud Set Screw, for 203937
200368H	12653	Thread Retainer Stud Set Screw, for 203937
200372c	10706	Feed Driving Crank Screw Stud Check Screw
200378c	12653	Feed Driving Rock Shaft Crank Set Screw, for 203946
200378c	12653	Hook Shaft Crank Set Screw, for 205980
200387c	10204	Needle Bar Connecting Stud Set Screw, for 208736
200387c	10204	Presser Bar Guide Bracket Set Screw, for 202046
200390c	10706	Bobbin Case Stop Adjusting Screw, for 203966
200390c	10706	Feed Lifting Cam Set Screw, for 203948
200414c	10706	Feed Driving Rock Shaft Screw Center
200415c	10706	Feed Bar Screw Center, for 203945
200415c	10706	" Driving Rock Shaft Crank Connection Screw Center, for 203946
200427c	12653	Arm Shaft Connection Slide Block Stud Position Screw
200431c	10206	Take-up Cam Position Screw, for 203960
200462B	12657	Cloth Guide Thumb Screw
200499B	12656	Presser Bar Thumb Screw (pressure regulating)
200522c	10710	Knee Lifter Rock Lever Knee Plate Arm Set Screw, for 202450

No.	Plate	Name
200526c	12657	Knee Lifter Rock Lever Knee Plate Set Screw, for 202453
200529c	10710	Knee Lifter Rock Lever Rod Set Screw, for 202450
200575H	10710	Bed Hinge Connection Screw
200575H	10710	Spool Holder Base Screw
200577H	12653	Bed Plate (back) Screw
200577H	12653	Thread Controller Plate Screw, for 203938
200577H	12653	Throat Plate Screw
200581H	12656	Thread Controller Spring Guard Screw, for 203965
200594c	12653	Bobbin Case Tension Spring Screw, for 203933
200609F	10204	Balance Wheel Thumb Nut Stop Screw, for 201569
200610F	12653	Hook Gib Hinge Screw, for 208742
200611F	12653	" " Screw, for 208742
200633B	10707	Tension Stud, for 203963
200648E	10706	Feed Driving Crank Screw Stud
200667c	10204	Needle Bar Connecting Link Screw Stud, for 203960
200819c	10707	Feed Regulator and Reverser Slide Block Screw Stud, for 203947..
200822c	10707	Feed Driving Crank Slide Block Screw Stud, for 203925
200822c	10707	Hook Shaft Crank Slide Block Screw Stud, for 203925
200963E	10206	Arm Screw
200984c	12653	Bobbin Case Tension Regulating Screw, for 203933
201512E	10706	Feed Driving Rock Shaft Screw Center Nut
201525E	10206	Feed Bar Screw Center Nut, for 203945
201525E	10206	Feed Driving Crank Slide Block Screw Stud Nut, for 203925
201525E	10206	Feed Driving Rock Shaft Crank Connection Screw Center Nut, for 203946
201525E	10206	Hook Shaft Crank Slide Block Screw Stud Nut, for 203925 ...
201531E	10708	Feed Driving Crank Link Screw Stud Nut, for 205977
201569B	10204	Balance Wheel Thumb Nut with 200609F, for 203968
201572B	12656	Tension Thumb Nut, for 203963..
201816	12656	Take-up Lever Roller, for 203961..
202002	12653	Arm Shaft Bushing, for 203921 ..

No.	Plate	Name
202004	12653	Arm Position Pin
202005	12653	" Screw Washer
*202009	----	" Shaft Connection Cap, for 203924
202015	10204	Balance Wheel Pulley Spring Washer, for 203968
202016	10204	Balance Wheel Thumb Nut Stop Washer, for 203968
202023	12653	Face Plate Thread Guide, for 203937
202033	12655	Feed Dog, for 202096, 202097 and 203942
202046	10204	Presser Bar Guide Bracket with 200387c
202047	10204	Presser Bar Lifter
202048	12656	" " Sleeve
*202051	----	Hook (sewing), for 208742
202053	12653	Bobbin
		Nos. 202055 to 202058, for 203933.
202055	12653	Bobbin Case Latch
*202056	----	" " " Pin
202057	12653	" " " Spring
202058	12653	" " " Plunger
202063	12653	Hook Gib, for 208742
202064	12653	Feed Regulating Handle Position Pin, for 203996
202064	12653	Hook Pin, for 208742
202068	10710	Spool Holder Base, for 204297 ...
202076	12656	Tension Slide 208696 with 202077...
202077	12656	" " Spring, for 202076 ...
202084	12656	Thread Controller Roller Guard Washer, for 203965
202087	10707	Thread Controller Spring Stop, for 203937
202091	12656	Thread Retainer Sleeve, for 204059
202092	12656	" " Spring, for 204059...
202095	12656	" Cutter
202096	12655	Throat Plate, for needle size 20, for 202033
202097	12655	Throat Plate with 202131, for nee- dle sizes 18 and smaller, for 202033
202098	12656	Thread Controller Roller, for 203965
*202100	----	Bobbin Case Latch Post, for 203933
202101	12653	" " " " Washer, for 203933
202113	----	Bed Slide (front), for 202114
202114	12654	" " 202113 with 202115 and two 200144e

No.	Plate	Name
202115	12653	Bed Slide (front) Spring, for 202114
202126	12653	Feed Lifting Cam Position Pin, for 203948
202131	12656	Throat Plate Needle Hole Bushing, for 202097
202135	12655	Bobbin Winder Frame Stop Pin, for 203921
202136	12655	Bobbin Winder Pulley, for 202233...
202149	12656	Tension Release Plunger, for 203963
202168	12653	Bed Hinge Connection
202185	----	Knee Lifter Rock Lever 202450 with two each 202451 and 202452, for 203977
202188	12655	Bobbin Winder Frame Spring
202189	12655	" " Spindle, for 202233
202232	----	" " Frame, for 202233...
202233	12655	" " " 202232 with 202136, 202189 and 204925
202248	10710	Arm Cap Screw Washer
202302	10710	Knee Lifter Connection Lever Lift- ing Rod Cotter Pin, for 203972
202407	12656	Tension Spring, for 203963
		Nos. 202450 to 202452, for 202185.
202450	----	Knee Lifter Rock Lever with 200522c and 200529c
202451	12658	Knee Lifter Rock Lever Lug with two wood screws $\frac{3}{8}$ in., No. 13u
202452	10710	Knee Lifter Rock Lever Lug Hinge Pin
202453	12658	Knee Lifter Rock Lever Knee Plate with 200526c, for 202866
*202456	----	Knee Lifter Rock Lever Rod Cap or Oil Guard, for 202614
202614	12658	Knee Lifter Rock Lever Rod, 5 in. long, with 202456, for 203977 ...
202668	10707	Feed Driving Crank Slide Block, for 203925
202668	10707	Feed Regulator and Reverser Slide Block
202668	10707	Hook Shaft Crank Slide Block, for 203925
202866	----	Knee Lifter Rock Lever Knee Plate 202453 with 203975, for 203977...
*203921	----	Arm with 200009u, 202002, 202135, 203922 and 204234
203922	12654	Arm Side Plate, for 203921
203923	12658	" Shaft

No.	Plate	Name
203924	----	Arm Shaft Connection with 202009 and two 200054e, for 203925 ...
203925	12654	Arm Shaft Connection 203924 with 203926, two each 200822c, 201525e and 202668
203926	12653	Arm Shaft Connection Slide Block, for 203925
203927	10708	Arm Shaft Connection Slide Block Stud
*203929	----	Bed with 200328c and 205965
*203931	----	Bobbin Case, for 203933
203932	12653	" " Tension Spring, for 203933
203933	10707	Bobbin Case complete, Nos. 200594c, 200984c, 202055 to 202058, 202100, 202101, 203931 and 203932, for 203980
		Nos. 203934 to 203936, for 203966.
203934	10706	Bobbin Case Stop
203935	10706	" " " Spring
203936	10706	" " " Bracket
203937	10702	Face Plate with 202023, 202087, 204281 and four 200368h, for 203938
203938	10702	Face Plate complete, Nos. 200577h, 203937, 203963, 203965, 204059 and 204795
203939	12655	Feed Bar with 204340, for 203942...
203940	10706	" " Adjusting Spring (flat), for 203942
203941	10706	Feed Bar Spring (spiral)
203942	10702	Feed Bar complete, Nos. 200365c, 202033, 203939, 203940 and four 200131e
203943	10708	Feed Driving Crank, for 205977 ..
203944	10708	" " " Link, for 205977
203945	12658	" " Rock Shaft with two each 200415c and 201525e
203946	10702	Feed Driving Rock Shaft Crank with two each 200378c, 200415c and 201525e
203947	10702	Feed Driving Rock Shaft Crank Connection with 200819c
203948	10706	Feed Lifting Cam with 200390c and 202126, for 203955
*203949	10708	Feed Regulating Handle, for 203996
203950	10708	" " " Escutcheon
*203951	10708	" Regulator and Reverser, for 203996

No.	Plate	Name
		Nos. 203952 to 203954, for 203970.
203952	10708	Feed Regulator and Reverser Sleeve (split)
203953	10708	Feed Regulator and Reverser Stop
203954	10708	" " " " " Screw Washer
203955	10206	Hook 208742 with 203948 and 203956, for 203980
203956	12656	Hook Washer, for 203955
203957	10702	Needle Bar with 200117c, 200175b and 203967
203958	10702	Presser Bar (hollow) with 200074e
203959	10707	Needle Bar Connecting Link
203960	10702	Take-up Cam with 200335c, 200431c and 200667c
203961	10707	Take-up Lever with 201816
203962	10707	Tension Disc (back or front), for 203963
203963	10707	Tension complete, Nos. 200633b, 201572b, 202149, 202407, 204271 and two 203962, for 203938
203964	10707	Thread Controller Spring, for 203965
203965	10707	Thread Controller complete, Nos. 200300c, 200581r, 202084, 202098, 203964, 204274, 204275 and 204333, for 203938
203966	10706	Bobbin Case Stop Bracket complete, Nos. 200390c, 203934 to 203936 and 205979
203967	10707	Needle Bar Thread Guide, for 203957
203968	12658	Balance Wheel complete, Nos. 201569b, 202015, 202016, 203969 and 208783
203969	----	Balance Wheel, 5½ in. diam. (belt groove 2½ in. diam.), with 200328c and 200335c, for 203968
203970	10702	Feed Regulator and Reverser complete, Nos. 200984c, 200113f, 203952 to 203954 and 203996 ...
		²⁰⁴²¹³ Nos. 203971 to 203973, for 203974.
203971	12658	Knee Lifter Connection Lever with 203976
203972	12658	Knee Lifter Connection Lever Lifting Rod with 202302
203973	12658	Knee Lifter Lifting Lever

No.	Plate	Name
203974	—	Knee Lifter Connection Lever 203971 with 203972, 203973 and two 200262n
203975	12658	Knee Lifter Rock Lever Knee Plate Arm, for 202866
203976	10710	Knee Lifter Connection Lever Pin, for 203971
203977	12658	Knee Lifter Rock Lever 202185 with 202614 and 202866
203980	—	Hook and Bobbin Case complete, Nos. 203933 and 203955
203996	—	Feed Regulator and Reverser 203951 with 202064 and 203949, for 203970
204058	12656	Thread Retainer Stud, for 204059
204059	10707	Thread Retainer complete, Nos. 202091, 202092 and 204058, for 203938
204163	10710	Arm Cap
204189	10707	Feed Bar Spring Hook (on Bed)
204234	10708	" Regulator and Reverser Stop Pin, for 203921
204271	12656	Tension Washer, for 203963
204274	12656	Thread Controller Plate, for 203965
204275	12656	" " Roller Guard, for 203965
204281	12656	Thread Retainer Guide Wire, for 203937
204296	10710	Spool Holder Wire, for 204297
204297	—	Spool Holder complete, Nos. 200079n, 202068 and 204296
204333	12656	Thread Controller Spring Guard, for 203965
204340	10707	Feed Bar Spring Hook, for 203939
204795	10707	Thread Controller Spring Stud with 204925, for 203938
204925	10707	Bobbin Winder Spindle Washer, for 202233
204925	10707	Thread Controller Spring Stud Washer, for 204795
205965	12653	Hook Shaft Bushing, for 203929 ..
205975	10706	Presser Bar Spring
205977	—	Feed Driving Crank 203943 with 200252c, 201531e and 203944
205979	12653	Bobbin Case Stop Hinge Pin, for 203966
205980	—	Hook Shaft Crank 208825 with two 200378c
208696	—	Tension Slide, for 202076

No.	Plate	Name
*208735	—	Needle Bar Connecting Stud, for 208736
208736	12656	Needle Bar Connecting Stud 208735 with two 200387c
*208741	- -	Hook Shaft, 9 $\frac{1}{4}$ in. long, for 208742
208742	12654	" 202051 with 200610f, 200611f, 202063, 202064 and 208741, for 203955
208778	12654	Bed Plate (back)
208783	- -	Balance Wheel Pulley, 2 $\frac{1}{4}$ in. diam., for 203968
208825	12653	Hook Shaft Crank, for 205980
225045	—	Drip Pan with four wood screws $\frac{1}{2}$ in. No. 5
*225482	- -	Bobbin Case Screw Driver Blade, for 225497
*225483	—	Bobbin Case Screw Driver Handle, for 225497
*225484	- -	Screw Driver Blade, for 225498 ..
*225485	- -	" " Handle, for 225498 ..
225497	12654	Bobbin Case Screw Driver com- plete, Nos. 225482 and 225483 ..
225498	12654	Screw Driver complete (7 $\frac{1}{4}$ in. long), Nos. 225484 and 225485 ..
225503	12657	Hemmer Foot, for lace, for $\frac{3}{8}$ in. hem
225554	12654	Wrench (steel)
229851	12655	Presser Foot
231337	12657	Cloth Guide

**ILLUSTRATIONS OF PARTS
FOR
MACHINE No. 11w2**

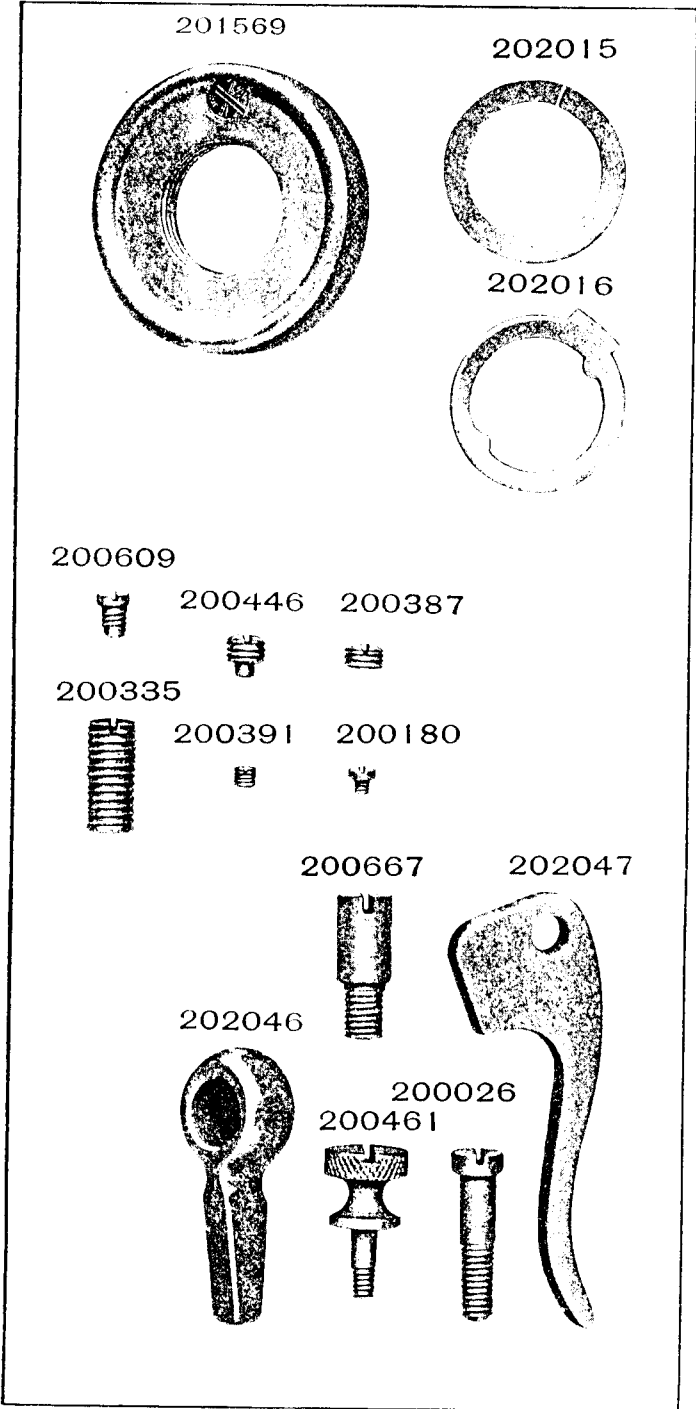


PLATE 10206—FULL SIZE

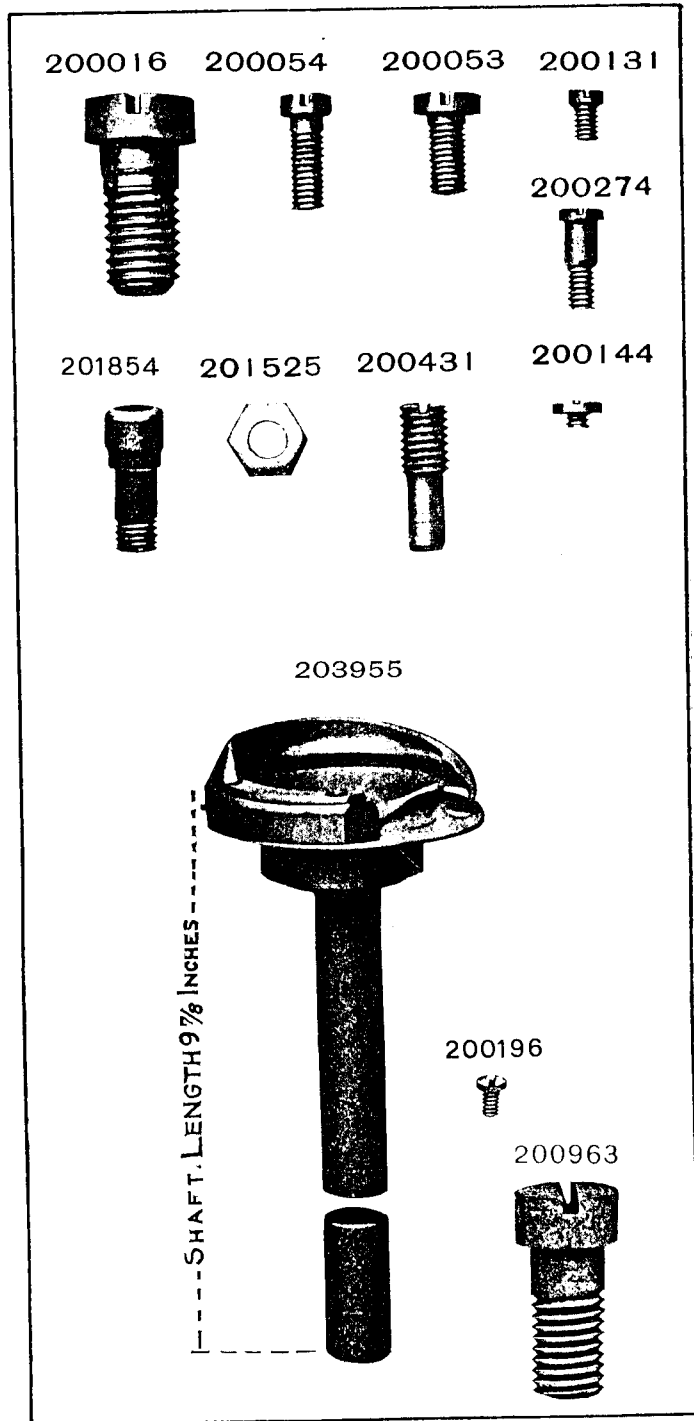


PLATE 10702—ONE-HALF SIZE

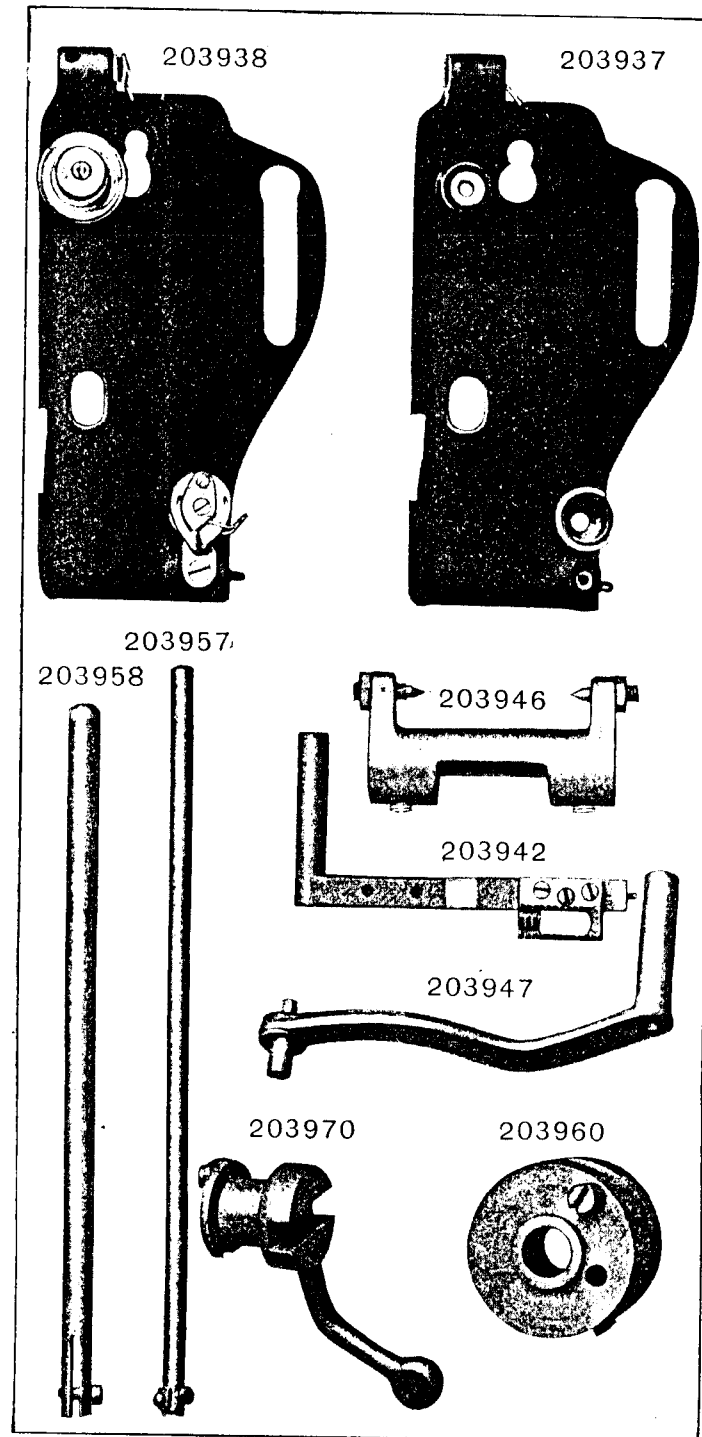


PLATE 10706-FULL SIZE

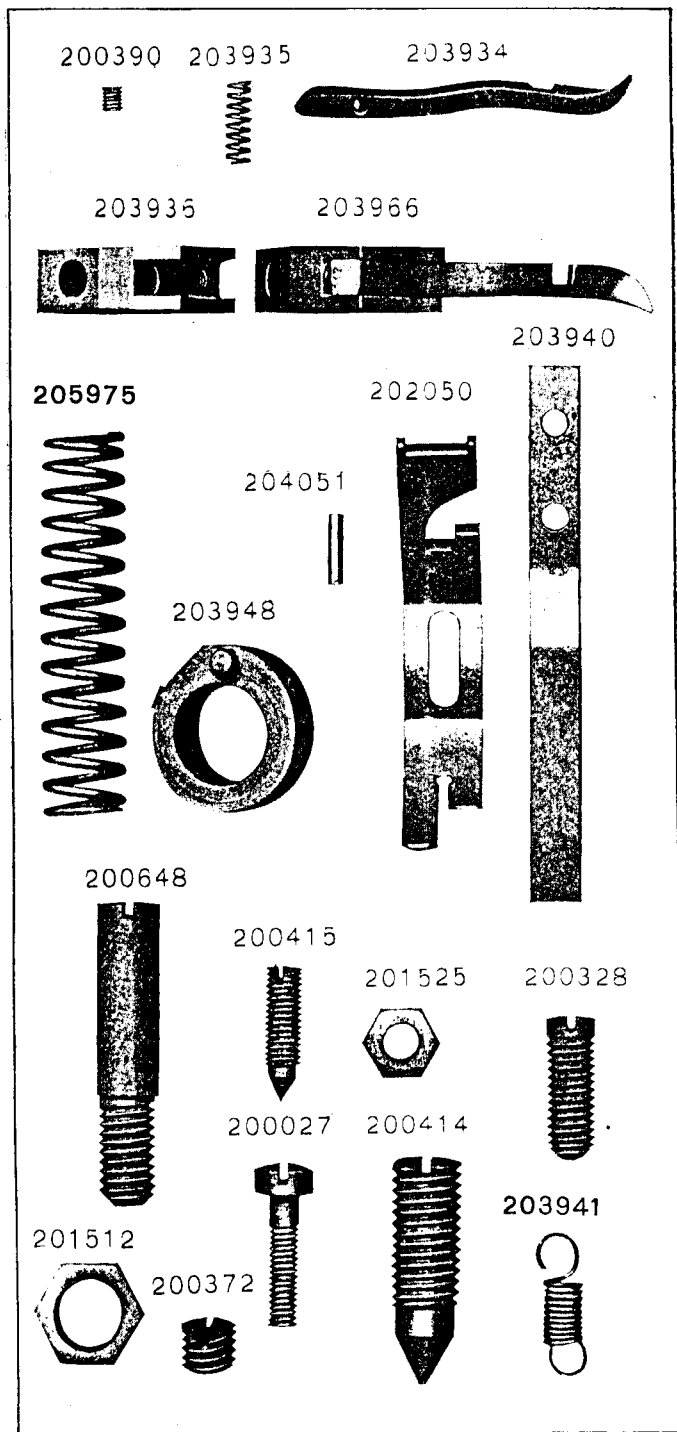


PLATE 10707-FULL SIZE

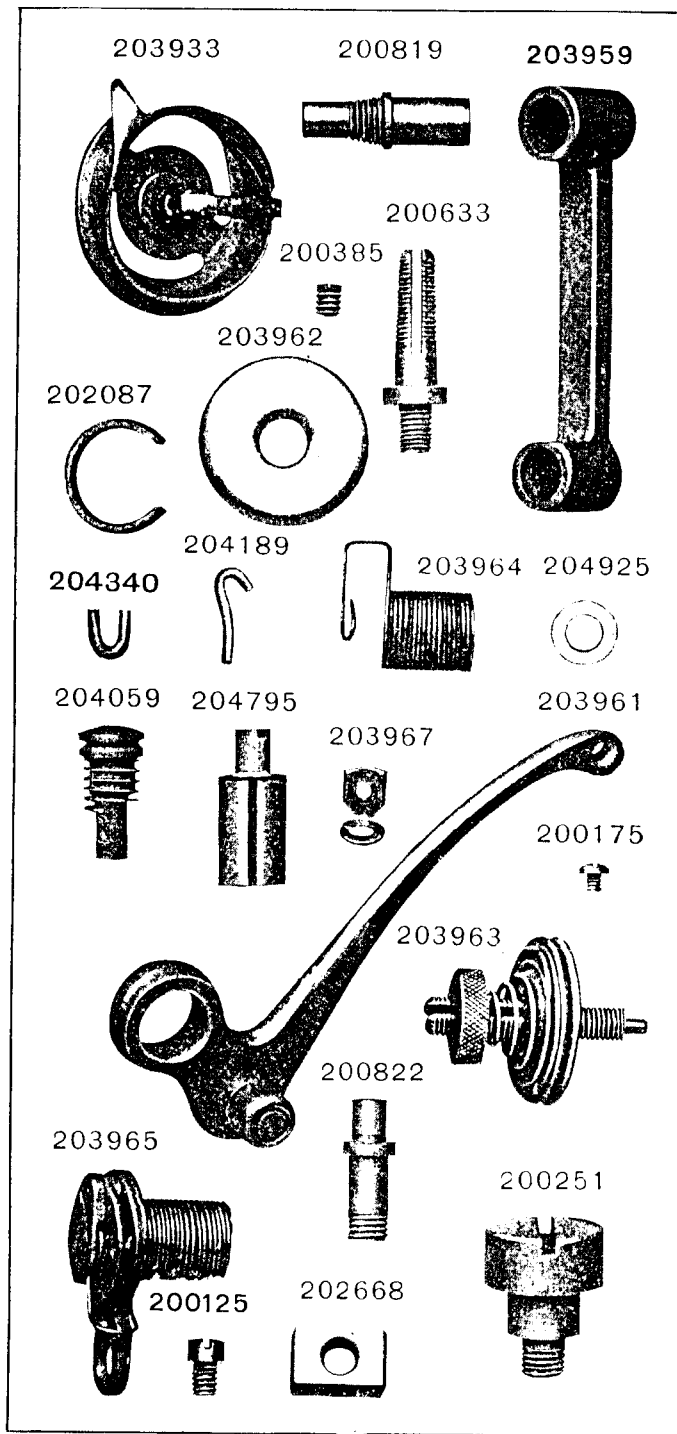


PLATE 10708-FULL SIZE

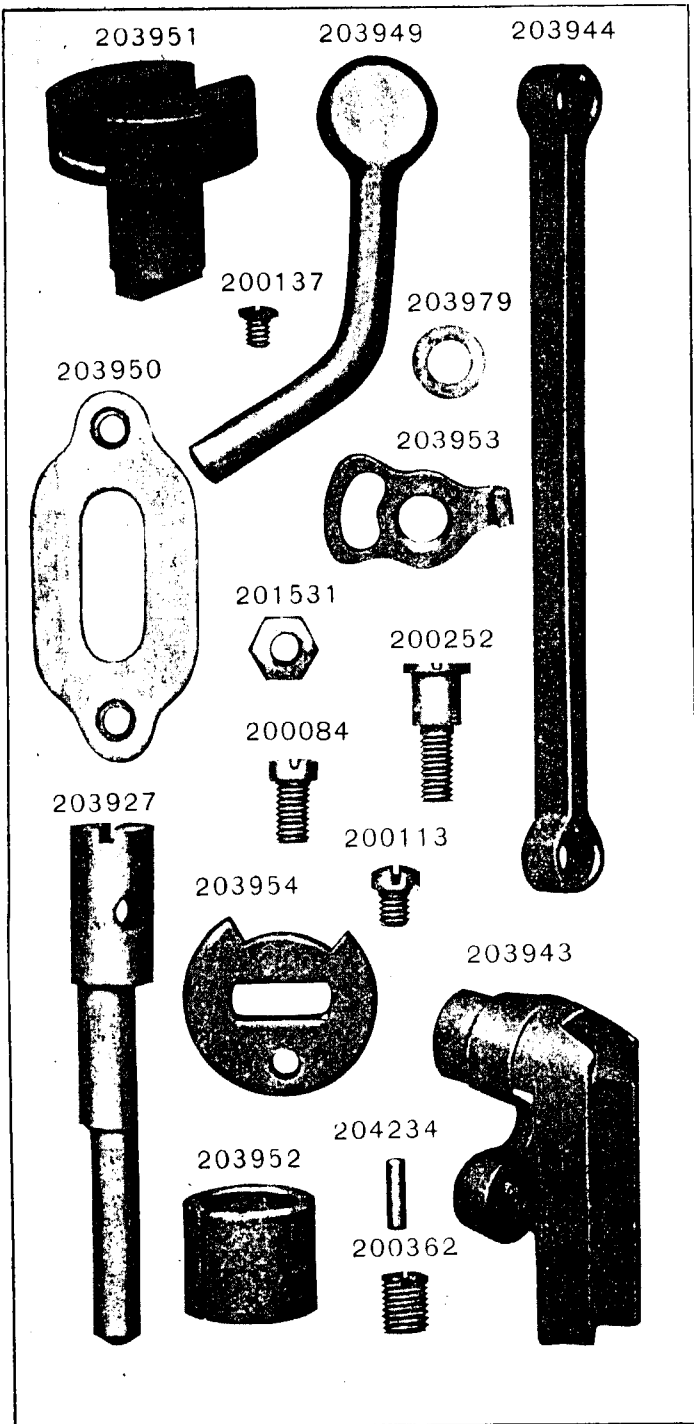


PLATE 10710-FULL SIZE

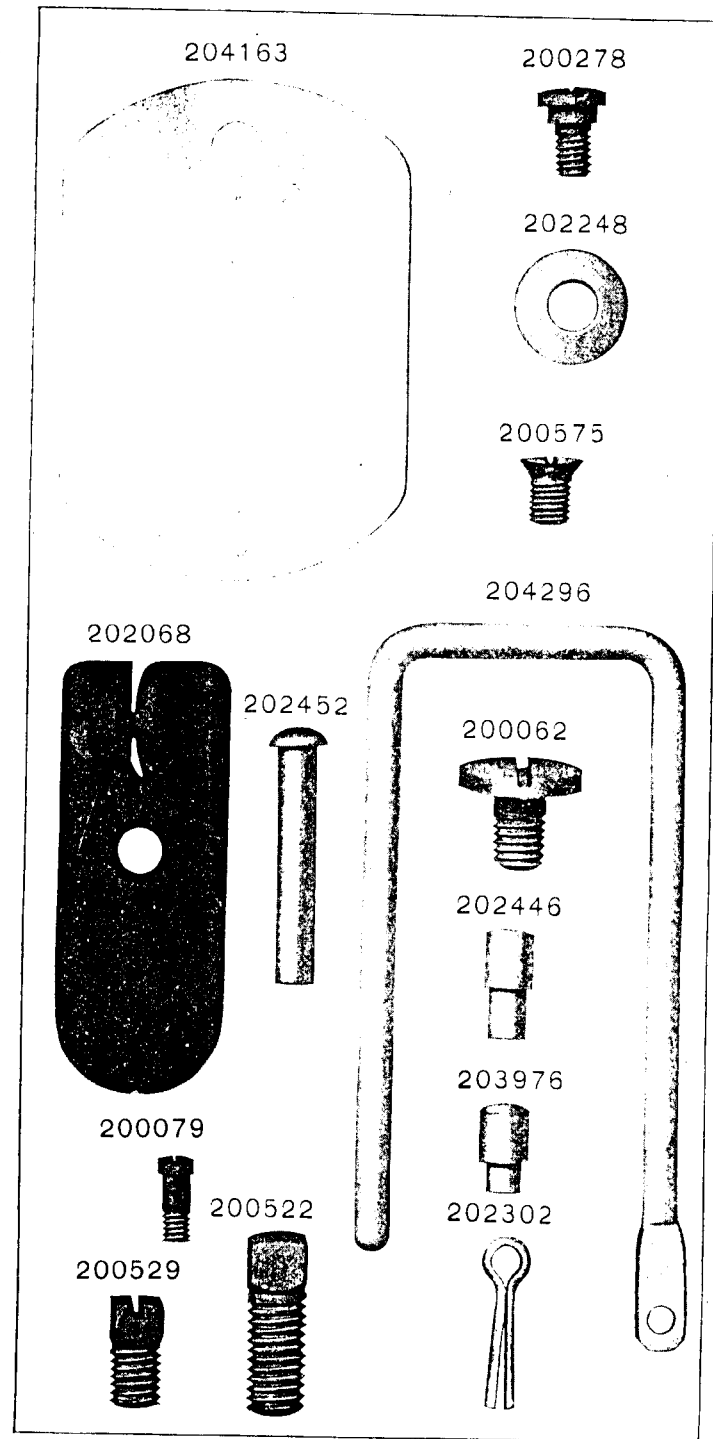


PLATE 12653--FULL SIZE

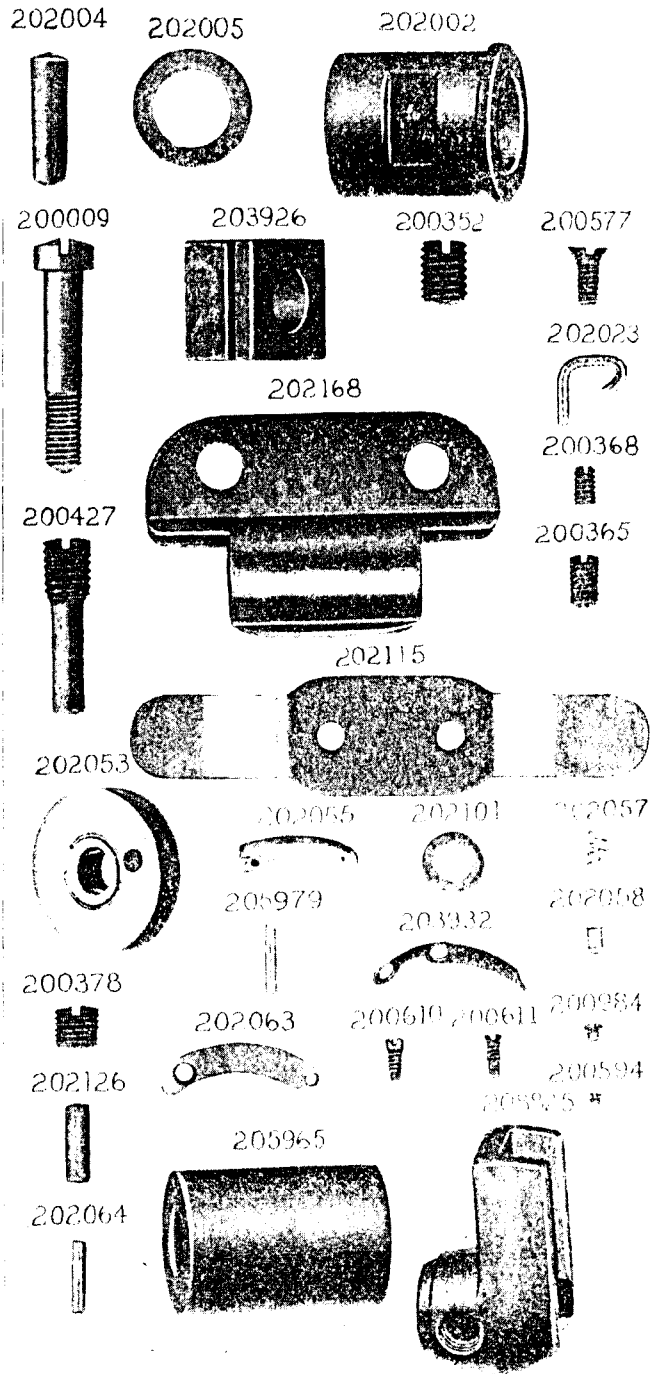


PLATE 12654--ONE-HALF SIZE

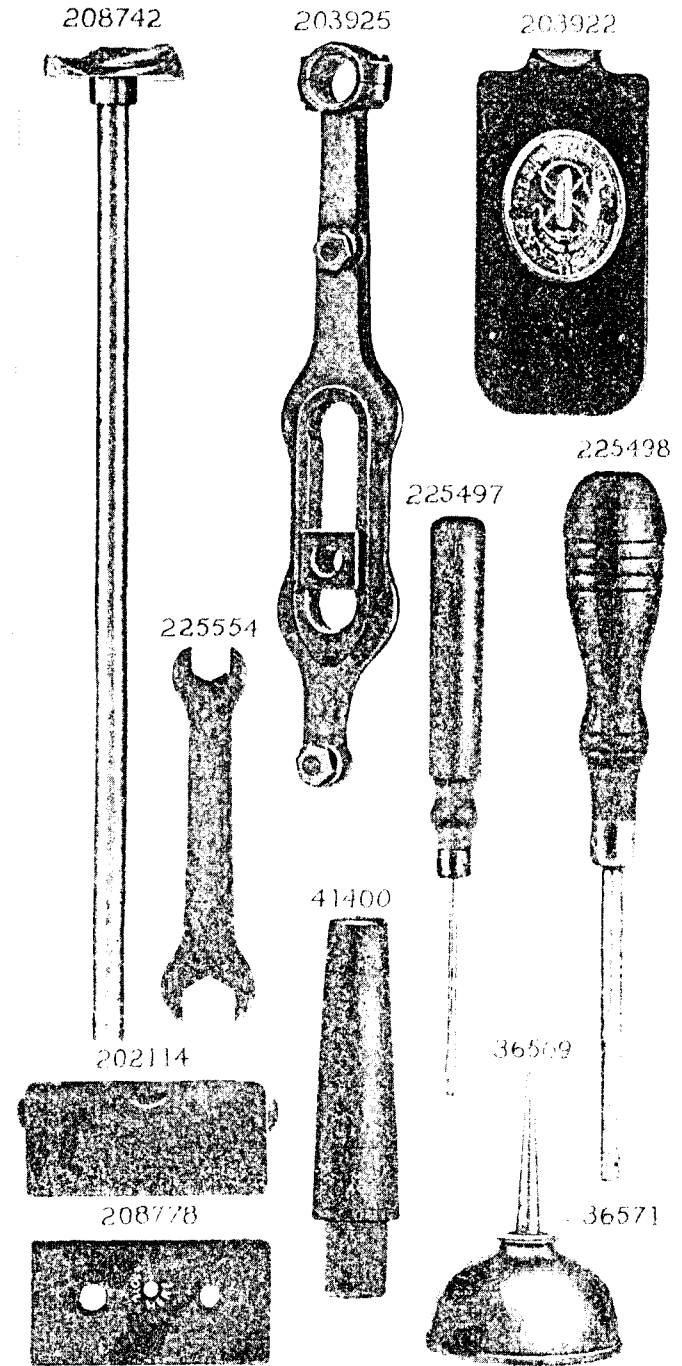


PLATE 12655 - FULL SIZE

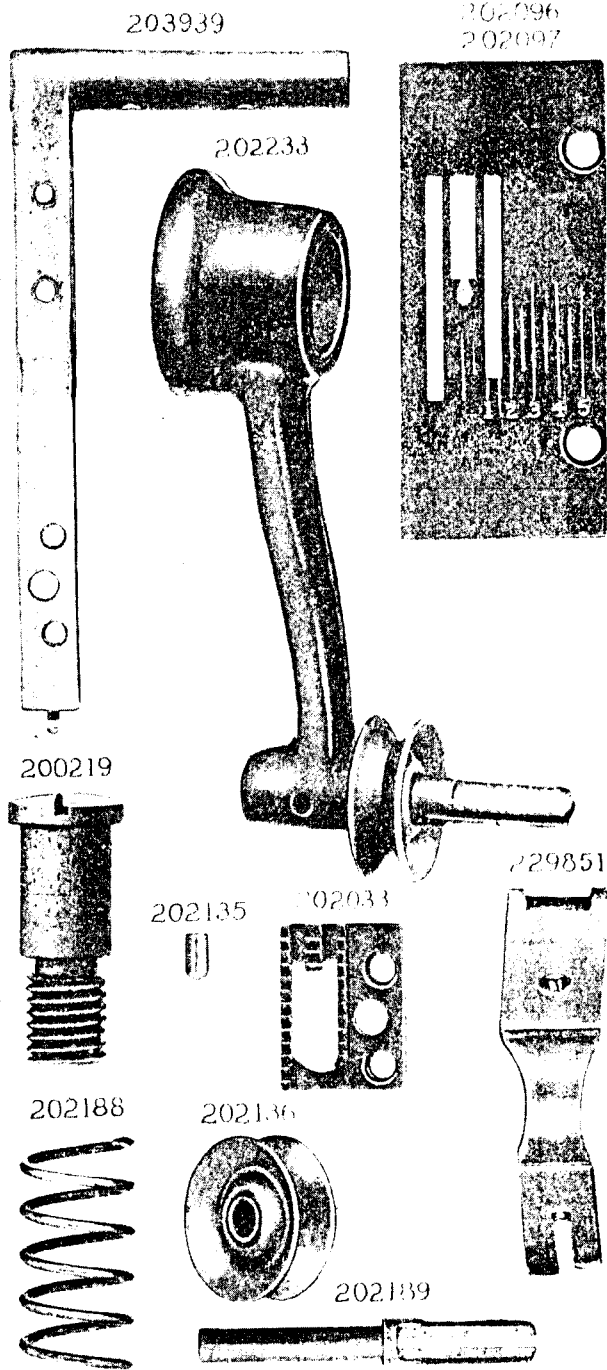


PLATE 12656 - FULL SIZE

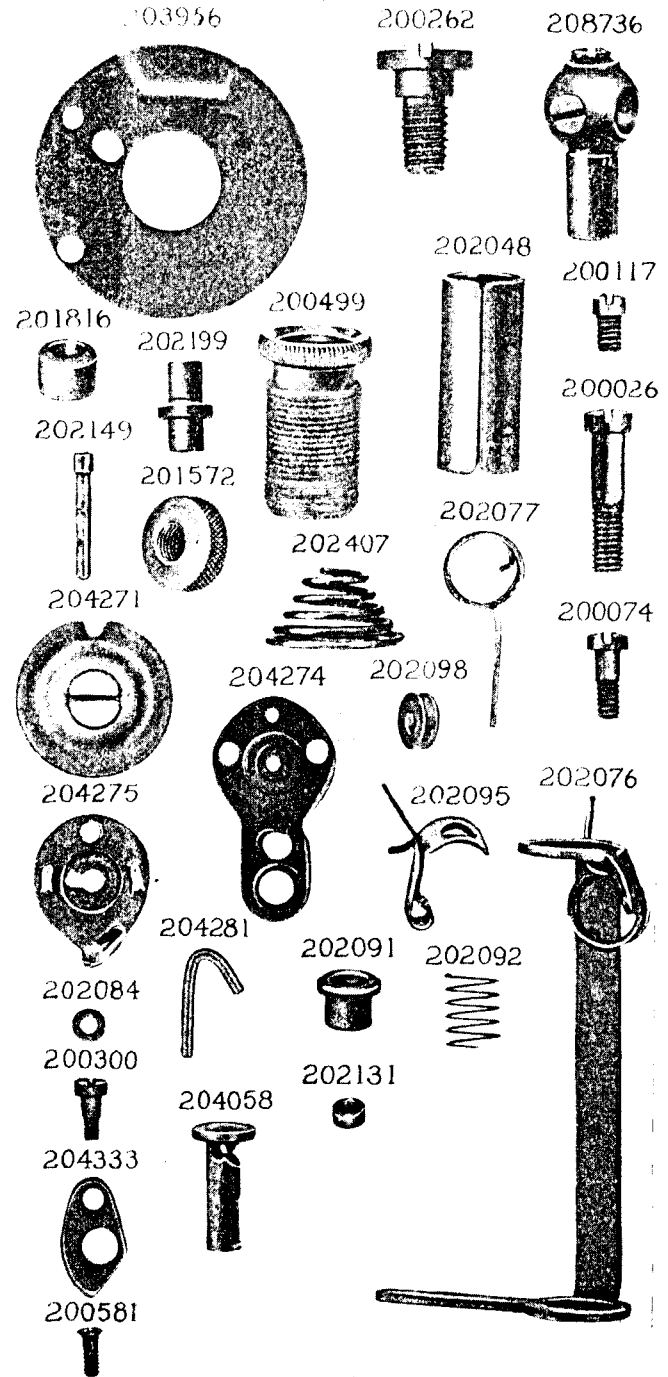


PLATE 12657--FULL SIZE

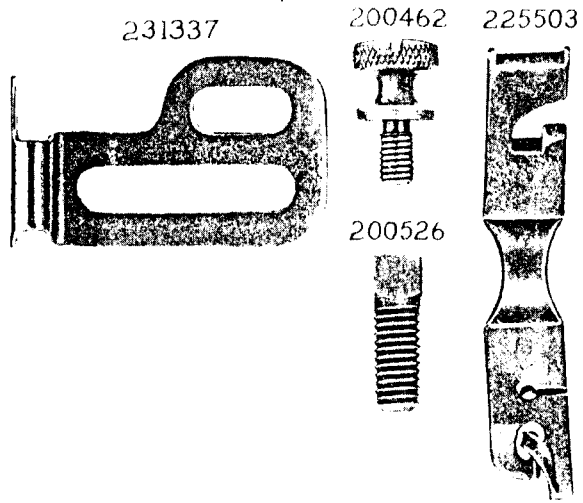


PLATE 12658--ONE-FOURTH SIZE

