

---

**PFAFF<sup>®</sup> 546**

**Unterklassen-Ausstattung**  
Subclass parts  
Composition des sous-classes  
Composición de las subclases

| Unterklasse<br>Subclass<br>Sous-classe<br>Subclase | Ausführung<br>Model<br>Version<br>Tipo de máquina | Nadelabstand in mm<br>Needle gauge in mm<br>Écartement des aiguilles<br>en mm<br>Distancia entre agujas<br>en mm | Nadelstange<br>Needle bar<br>Barra à aiguille<br>Barra de aguja        | Stoßschieber<br>Feed dog<br>Griffe<br>Transportador inferior           | Stichplatte<br>Needle plate<br>Plaque à aiguille<br>Placa de aguja | Nähfuß<br>Presser foot<br>Pied presseur<br>Pie prensatelas | Stoffschieber<br>Vibrating presser<br>Pied entraîneur<br>Transportador superior |
|--|---|--|--|--|--|--|---|
| -6/01  | H3; H4 CN<br>H3; H4 DN                            | 3,2-72,0<br>4,0-72,0   | 91-710 749-93<br>⑩ = 3,2-26,0 mm<br>91-710 750-93<br>⑩ = 28,0-72,0 mm  | 91-040 433-04<br>⑩ = 3,2-36,0 mm<br>91-047 275-93<br>⑩ = 38,0-72,0 mm  | 91-040 434-04  | 91-040 429-04  | 91-040 430-93   |
| -6/01<br>-900/11; /51                              | H3 CN   | 3,2-32,0   | 91-710 749-93<br>⑩ = 3,2-26,0 mm<br>91-710 750-93<br>⑩ = 28,0-32,0 mm  | 91-047 934-04  | 91-058 652-04  | 91-040 429-04  | 91-040 430-93   |
| -6/01<br>-900/16; /56                              | H3 CN   | 3,2-32,0   | 91-710 749-93<br>⑩ = 3,2-26,0 mm<br>91-710 750-93<br>⑩ = 28,0-32,0 mm  | 91-047 934-04  | 91-058 943-04  | 91-040 429-04  | 91-040 430-93   |
| -6/01  | H3; H4 CN8<br>H3; H4 DN8                          | 3,2-72,0<br>4,0-72,0   | 91-710 749-93<br>⑩ = 3,2-26,0 mm<br>91-710 750-93<br>⑩ = 28,0-72,0 mm  | 91-040 433-04<br>⑩ = 3,2-36,0 mm<br>91-047 275-93<br>⑩ = 38,0-72,0 mm  | 91-486 853-04  | 91-049 668-04  | 91-040 430-93   |
| -6/01<br>-900/11; /51                              | H3 CN8  | 3,2-32,0   | 91-710 749-93<br>⑩ = 3,2-26,0 mm<br>91-710 750-93<br>⑩ = 28,0-32,0 mm  | 91-047 934-04  | 91-058 652-04  | 91-049 668-04  | 91-040 430-93   |
| -6/01<br>-900/16; /56                              | H3 CN8  | 3,2-32,0   | 91-710 749-93<br>⑩ = 3,2-26,0 mm<br>91-710 750-93<br>⑩ = 28,0-32,0 mm  | 91-047 934-04  | 91-058 943-04  | 91-049 668-04  | 91-040 430-93   |
| -6/01  | H3; H4 CN 10<br>H3; H4 DN 10                      | 3,2-72,0<br>4,0-72,0   | 91-710 749-93<br>⑩ = 3,2-26,0 mm<br>91-710 750-93<br>⑩ = 28,0-72,0 mm  | 91-490 712-04  | 91-490 713-04  | 91-049 668-04  | 91-040 430-93   |
| -6/01<br>-900/11; /51                              | H3 CN10   | 3,2-32,0   | 91-710 749-93<br>⑩ = 3,2-26,0 mm<br>91-710 750-93<br>⑩ = 28,0-32,0 mm  | 91-059 001-04  | 91-058 688-04  | 91-049 668-04  | 91-040 430-93   |
| -6/01<br>-900/16; /56                              | H3 CN10   | 3,2-32,0   | 91-710 749-93<br>⑩ = 3,2-26,0 mm<br>91-710 750-93<br>⑩ = 28,0-32,0 mm  | 91-059 001-04  | 91-058 944-04  | 91-049 668-04  | 91-040 430-93   |
| -39/61*  | H3 CN   | 10,0-50,0  | 91-710 749-93<br>⑩ = 10,0-26,0 mm<br>91-710 750-93<br>⑩ = 28,0-50,0 mm | 91-040 433-04<br>⑩ = 10,0-36,0 mm<br>91-047 275-93<br>⑩ = 38,0-50,0 mm | 91-040 434-04  | 91-040 429-04  | 91-040 430-93   |
| -57/01*  | H3 CN; DN   | 4,8-20,0   | 91-710 749-93  | 91-040 433-04  | 91-040 434-04  | 91-040 429-04  | 91-040 430-93   |
| -58/01*  | H3 CN; DN   | 4,8-20,0   | 91-710 749-93  | 91-040 433-04  | 91-040 434-04  | 91-040 429-04  | 91-040 430-93   |
| -61/02*  | H3 CN   | 4,8-72,0   | 91-710 749-93<br>⑩ = 4,8-26,0 mm<br>91-710 750-93<br>⑩ = 28,0-72,0 mm  | 91-040 433-04<br>⑩ = 4,8-36,0 mm<br>91-047 275-93<br>⑩ = 38,0-72,0 mm  | 91-040 434-04  | 91-040 429-04  | 91-040 430-93   |
| -61/09*  | H3 CN   | 3,2-20,0   | 91-710 749-93  | 91-040 433-04  | 91-040 434-04  | 91-043 456-04  | 91-043 455-93 ⑤   |
| -63/03*  | H3 CN   | 3,2-20,0   | 91-710 749-93  | 91-040 433-04  | 91-040 434-04  | 91-049 509-04  | 91-049 017-93   |
| -65/01*  | H3 CN   | 3,2-20,0   | 91-710 749-93  | 91-040 433-04  | 91-040 434-04  | 91-040 429-04  | 91-040 430-93   |
| -67/04*  | H3 CN   | 6,0-72,0   | 91-710 749-93<br>⑩ = 6,0-26,0 mm<br>91-710 750-93<br>⑩ = 28,0-72,0 mm  | 91-040 433-04<br>⑩ = 6,0-36,0 mm<br>91-047 275-93<br>⑩ = 38,0-72,0 mm  | 91-040 434-04  | 91-040 429-04  | 91-040 430-93   |

# Unterklassen-Ausstattung<sup>1)</sup>

# Subclass organization<sup>1)</sup>

| Subklasse<br>Subclass | Ausführung<br>Model<br>Version<br>Tipo de máquina | Apparat<br>Attachment<br>Appareil<br>Aparato                                      | Träger<br>Bracket<br>Support<br>Supporte | Auflageplatte<br>Work support<br>Plaque d'appui<br>Placa de apoyo | Bandeller<br>Tape disc<br>Plateau dérouleur<br>Plato portacintas | Bandtrommel<br>Tape reel<br>Tambour dérouleur<br>Tambor portacintas | Kopfplatte<br>Face plate<br>Plaque frontale<br>Placa frontal | Bandführung<br>Tape guide<br>Guide-ruban<br>Guiacintas | Fingerschutz<br>Finger guard<br>Protège-douglis<br>Salvadedos                                 |
|-----------------------|---|---|--|---|--|---|--|--|---|
| /01                   | H3; H4 CN<br>H3; H4 DN                            |   |  |   |  |   |  |  | 91-055 203-5<br>10 = 3,2-8,0<br>91-055 200-5<br>10 = 9,2-32,0<br>91-057 091-5<br>10 = 34,0-72 |
| /01<br>00/11; /51     | H3 CN   |   |  |   |  |   |  |  | **  |
| /01<br>00/16; /56     | H3 CN   |   |  |   |  |   |  |  | **  |
| /01                   | H3; H4 CN8<br>H3; H4 DN8                          |   |  |   |  |   |  |  | **  |
| /01<br>00/11; /51     | H3 CN8  |   |  |   |  |   |  |  | **  |
| /01<br>00/16; /56     | H3 CN8  |   |  |   |  |   |  |  | **  |
| /01                   | H3; H4 CN 10<br>H3; H4 DN 10                      |   |  |   |  |   |  |  | **  |
| /01<br>00/11; /51     | H3 CN10   |   |  |   |  |   |  |  | **  |
| /01<br>00/16; /56     | H3 CN10   |   |  |   |  |   |  |  | **  |
| 9/61*                 | H3 CN   | 91-040 455-23   | 91-040 528-90                            | 91-043 111-25   | 91-043 943-91  |   |  |  | **  |
| 7/01*                 | H3 CN: DN   | 91-040 317-93 10.2<br>10 = 4,8-10,0 mm<br>91-042 068-24 10.2<br>10 = 11,2-20,0 mm |  |   |  |   |  |  | **  |
| 8/01*                 | H3 CN: DN   | 91-040 316-93 10.2<br>10 = 4,8-10,0 mm<br>91-040 814-23 10.2<br>10 = 11,2-20,0 mm |  |   |  |   |  |  | **  |
| 1/02*                 | H3 CN   | 91-043 408-23   | 91-040 862-90                            |   |  | 91-040 207-91   | 91-010 702-91  |  | **  |
| 1/09*                 | H3 CN   |   |  |   |  |   |  |  | **  |
| 3/03*                 | H3 CN   | 91-042 369-21   |  |   |  | 91-041 644-91   |  | 91-044 419-25  | **  |
| 5/01*                 | H3 CN   | 91-041 848-23 10.2  |  |   |  |   |  |  | **  |
| 7/04*                 | H3 CN   | 91-040 769-23 10.2<br>91-041 906-23   | 91-040 862-90<br>91-040 528-90           |   |  | 91-040 207-91   | 91-010 702-91  |  | **  |

Fortsetzung siehe nächste Seite  
Continued on next page  
Suite voir page suivante  
Continúa en la página siguiente

Equipement des sous-classes<sup>1)</sup>

Dotación de las subclases<sup>1)</sup>

| Unterklasse<br>Subclass<br>Sous-classe<br>Subclase | Ausführung<br>Model<br>Version<br>Tipo de máquina | Nadelabstand in mm<br>Needle gauge in mm<br>Écartement des aiguilles<br>en mm<br>Distancia entre agujas<br>en mm | Nadelstange<br>Needle bar<br>Barre à aiguille<br>Barra de aguja          | Stofschieber<br>Feed dog<br>Griffe<br>Transportador inferior             | Stichplatte<br>Needle plate<br>Plaque à aiguille<br>Placa de aguja | Nähfuß<br>Presser foot<br>Pied presseur<br>Pie prensateelas |
|--|---|--|--|--|--|---|
| -76/01*  | H3 CN   | 6,0-20,0   | 91-710 749-93  | 91-040 433-04  | 91-040 434-04  | 91-042 088-05 5   |
| -87/02*  | H3 CN   | 6,0-30,0   | 91-710 749-93<br>II = 6,0-26,0 mm<br>91-170 750-93<br>III = 28,0+30,0 mm | 91-040 433-04  | 91-040 434-04  | 91-040 429-04   |
| -88/02*  | H3 CN   | 6,0-30,0   | 91-710 749-93<br>II = 6,0-26,0 mm<br>91-170 750-93<br>III = 28,0+30,0 mm | 91-040 433-04  | 91-040 434-04  | 91-040 429-04   |
| -89/02*  | H3 CN   | 6,0-50,0   | 91-710 749-93<br>II = 6,0-26,0 mm<br>91-170 750-93<br>III = 28,0-50,0 mm | 91-040 433-04<br>II = 6,0-36,0 mm<br>91-047 275-93<br>III = 38,0-50,0 mm | 91-040 434-04  | 91-040 429-04   |
| -91/02*  | H3 CN   | 6,0-50,0   | 91-710 749-93<br>II = 6,0-26,0 mm<br>91-170 750-93<br>III = 28,0-50,0 mm | 91-040 433-04<br>II = 6,0-36,0 mm<br>91-047 275-93<br>III = 38,0-50,0 mm | 91-040 434-04  | 91-040 429-04   |
| -94/02*  | H3 CN   | 3,2-30,0   | 91-710 749-93<br>II = 3,2-26,0 mm<br>91-170 750-93<br>III = 28,0+30,0 mm | 91-040 433-04  | 91-040 434-04  | 91-042 708-04   |
| -120/01*   | H3 CN   | 3,2-20,0   | 91-710 749-93  | 91-040 433-04  | 91-040 434-04  | 91-042 377-05 5   |
| -136/02*   | H3 CN   | 3,2-20,0   | 91-710 749-93  | 91-040 433-04  | 91-040 434-04  | 91-049 515-04 5   |
| -147/01*   | H3 CN   | 3,2-20,0   | 91-710 749-93  | 91-040 433-04  | 91-040 434-04  | 91-040 429-04   |
| -148/01*   | H3 CN   | 3,2-20,0   | 91-710 749-93  | 91-040 433-04  | 91-040 434-04  | 91-040 429-04   |
| -167/02*   | H3 CN   | 3,2-30,0   | 91-710 749-93<br>II = 3,2-26,0 mm<br>91-170 750-93<br>III = 28,0+30,0 mm | 91-040 433-04  | 91-040 434-04  | 91-040 429-04   |
| -167/12*   | H3 CN   | 3,2-30,0   | 91-710 749-93<br>II = 3,2-26,0 mm<br>91-170 750-93<br>III = 28,0+30,0 mm | 91-040 433-04  | 91-040 434-04  | 91-040 429-04   |
| -176/01*   | H3 CN   | 3,2-20,0   | 91-710 749-93  | 91-040 433-04  | 91-040 434-04  | 91-044 449-04 5   |
| -184/02*   | H3 CN   | 7,2-20,0   | 91-710 749-93  | 91-040 433-04  | 91-040 434-04  | 91-049 503-03 5   |
| -189/12  | H3 CN   | 3,2-30,0   | 91-710 749-93<br>II = 3,2-26,0 mm<br>91-170 750-93<br>III = 28,0+30,0 mm | 91-042 347-04  | 91-042 348-04  | 91-042 708-04   |
| -230/01*   | H3 CN   | 8,0-30,0   | 91-710 749-93<br>II = 8,0-26,0 mm<br>91-170 750-93<br>III = 28,0+30,0 mm | 91-040 433-04  | 91-040 434-04  | 91-049 503-03 5   |
| -230/02  | H3 CN   | 8,0-30,0   | 91-710 749-93<br>II = 8,0-26,0 mm<br>91-170 750-93<br>III = 28,0+30,0 mm | 91-490 842-04 5  | 91-490 841-04 5  | 91-486 629-04 5   |
| -230/21*   | H3 CN   | 8,0-30,0   | 91-710 749-93<br>II = 8,0-26,0 mm<br>91-170 750-93<br>III = 28,0+30,0 mm | 91-040 433-04  | 91-040 434-04  | 91-049 503-03 5   |
| -230/22  | H3 CN   | 8,0-30,0   | 91-710 749-93<br>II = 8,0-26,0 mm<br>91-170 750-93<br>III = 28,0+30,0 mm | 91-490 842-04 5  | 91-490 841-04 5  | 91-486 629-04 5   |
| -232/11*   | H3 CN   | 3,2-30,0   | 91-710 749-93<br>II = 3,2-26,0 mm<br>91-170 750-93<br>III = 28,0+30,0 mm | 91-040 433-04  | 91-040 434-04  | 91-040 429-04   |

## Unterklassen-Ausstattung<sup>1)</sup>

## Subclass organization<sup>1)</sup>

| Sous-classe<br>Subclass | Ausführung<br>Model<br>Version<br>Tipo de máquina | Stoßschieberfuß<br>Vibrating presser<br>Pied entraîneur<br>Transportador superior | Apparat<br>Attachment<br>Appareil<br>Aparato | Träger<br>Bracket<br>Support<br>Soporte | Bandteller<br>Tape disc<br>Plateau dérouleur<br>Plato portacintas | Bandtrommel<br>Tape reel<br>Tambour dérouleur<br>Tambor portacintas | Kopfplatte<br>Face plate<br>Plaque frontale<br>Placa frontal | Bandführung<br>Tape guide<br>Guide-tape<br>Guiacintas |
|-------------------------|---|---|--|---|---|---|--|---|
| /01*                    | H3 CN   | 91-042 087-93 [3]   | 91-042 086-24                                |   |   |   |  |   |
| /02*                    | H3 CN   | 91-040 430-93   | 91-040 145-23 [10/2]                         | 91-040 528-90                           |   |   |  |   |
| /02*                    | H3 CN   | 91-040 430-93   | 91-043 408-23<br>91-044 734-23               | 91-040 862-90<br>91-040 528-90          |   | 91-040 207-91<br>91-041 644-91                                      | 91-010 702-91  | 91-044 419-25   |
| /02*                    | H3 CN   | 91-040 430-93   | 91-040 769-23 [10/2]<br>91-044 734-23        | 91-040 862-90<br>91-040 528-90          |   | 91-040 207-91<br>91-041 644-91                                      | 91-010 702-91  | 91-044 419-25   |
| /02*                    | H3 CN   | 91-040 430-93   | 91-041 620-23                                | 91-040 528-90                           |   |   |  |   |
| /02*                    | H3 CN   | 91-049 023-93   | 91-046 014-23                                | 91-040 528-90                           |   |   |  |   |
| 0/01*                   | H3 CN   | 91-042 376-93 [3]   | 91-042 404-24                                |   |   |   |  |   |
| 6/02*                   | H3 CN   | 91-049 022-93 [3]   | 91-053 078-23                                | 91-040 528-90                           |   |   |  |   |
| 7/01*                   | H3 CN   | 91-040 430-93   | 91-041 982-25                                |   |   |   |  |   |
| 8/01*                   | H3 CN   | 91-040 430-93   | 91-040 815-23 [10/2]                         |   |   |   |  |   |
| 7/02*                   | H3 CN   | 91-040 430-93   | 91-053 637-25                                | 91-040 528-90                           |   | 91-041 644-91   |  |   |
| 7/12*                   | H3 CN   | 91-040 430-93   | 91-046 706-24                                | 91-040 528-90                           |   | 91-041 644-91   |  | 91-044 419-25   |
| 6/01*                   | H3 CN   | 91-044 448-93 [3]   | 91-044 447-24                                |   | 91-043 943-91   |   |  |   |
| 4/02*                   | H3 CN   | 91-049 144-93 [3]   | 91-490 198-24                                | 91-040 528-90                           |   |   |  |   |
| 9/12                    | H3 CN   | 91-049 023-93   | 91-053 278-24                                | 91-040 528-90                           |   | 91-042 742-91   |  | 91-044 419-25   |
| 0/01*                   | H3 CN   | 91-049 144-93 [3]   | 91-053 534-93                                |   |   |   |  |   |
| 0/02                    | H3 CN   | 91-486 628-93 [3]   | 91-489 491-23<br>91-490 335-23               |   |   |   |  |   |
| 0/21*                   | H3 CN   | 91-049 144-93 [3]   | 91-053 537-24                                |   |   |   |  |   |
| 0/22                    | H3 CN   | 91-486 628-93 [3]   | 91-489 491-23<br>91-490 355-23               |   |   |   |  |   |
| 2/11*                   | H3 CN   | 91-040 430-93   | 91-050 003-23                                |   |   | 91-041 644-91   |  | 91-044 419-25   |

Fortsetzung siehe nächste Seite  
Continued on next page  
Suite voir page suivante  
Continúa en la página siguiente

Interklassen-Ausstattung<sup>1)</sup>

Subclass organization<sup>1)</sup>

Equipement des sous-classes<sup>1)</sup>

Dotación de las subclases<sup>1)</sup>

| Sous-classe<br>Subclasse | Ausführung<br>Model<br>Version<br>Tipo de máquina | Nadelabstand in mm<br>Needle gauge in mm<br>Écartement des aiguilles<br>en mm<br>Distancia entre agujas<br>en mm | Nadelange <sup>10,2)</sup><br>Needle bar<br>Barre à aiguille<br>Barra de aguja                 | Stoffschieber <sup>4)</sup> <sup>10,1)</sup> <sup>10,2)</sup><br>Feed dog<br>Griffe<br>Transportador interior | Stichplatte <sup>4)</sup> <sup>10,1)</sup> <sup>10,2)</sup><br>Needle plate<br>Plaque à aiguille<br>Placa de aguja | Nähfuß <sup>4)</sup> <sup>10,2)</sup><br>Presser foot<br>Pied presseur<br>Pie prensateelas |
|--------------------------|---|--|--|---|--|--|
| 7/01*                    | H3 CN   | 8,0-30,0   | 91-710-749-93<br><sup>10</sup> = 8,0-26,0 mm<br>91-710 750-93<br><sup>10</sup> = 28,0+30,0 mm  | 91-040 433-04   | 91-040 434-04  | 91-049 503-03 <sup>5)</sup>  |
| 5/01*                    | H3 CN   | 8,0-30,0   | 91-710 749-93<br><sup>10</sup> = 8,0-26,0 mm<br>91-710 750-93<br><sup>10</sup> = 28,0+30,0 mm  | 91-040 433-04   | 91-040 434-04  | 91-049 503-03 <sup>5)</sup>  |
| 8/02*                    | H3 CN   | 3,2-30,0   | 91-710 749-93<br><sup>10</sup> = 3,2-26,0 mm<br>91-710 750-93<br><sup>10</sup> = 28,0+30,0 mm  | 91-040 433-04   | 91-040 434-04  | 91-045 730-04 <sup>5)</sup>  |
| 8/01-6/01                | H3 CPN  | 3,2-72,0   | 91-710 749-93<br><sup>10</sup> = 3,2-26,0 mm<br>91-710 750-93<br><sup>10</sup> = 28,0-72,0 mm  | 91-040 433-04<br><sup>10</sup> = 3,2-36,0 mm<br>91-047 275-93<br><sup>10</sup> = 38,0-72,0 mm                 | 91-040 434-04  | 91-040 429-04  |
| 8/01-367/01              | H2 BP   | 20,0-32,0  | 91-710 005-93  | 91-059 014-04   | 91-058 050-03  | 91-049 607-93  |
| 8/01-368/01              | H2 BP   | 20,0-52,0  | 91-710 005-93<br><sup>10</sup> = 20,0-34,0 mm<br>91-710 261-93<br><sup>10</sup> = 36,0-52,0 mm | 91-059 014-04<br><sup>10</sup> = 20,0-36,0 mm<br>91-059 129-93<br><sup>10</sup> = 38,0-52,0 mm                | 91-058 050-03  | 91-049 607-93  |
| 8/01-369/01              | H2 BP   | 20,0-32,0  | 91-710 005-93 <sup>▲</sup>   | 91-059 014-04   | 91-058 050-03  | 91-049 607-93  |
| 8/01-370/01              | H2 BP   | 20,0-32,0  | 91-710 005-93  | 91-059 014-04   | 91-058 050-03  | 91-049 607-93  |
| 8/01-371/01              | H2 BP   | 20,0-32,0  | 91-710 005-93  | 91-059 014-04   | 91-058 050-03  | 91-049 607-93  |

nur für Nadelabstände von 34,0 - 52,0 mm erforderlich  
only required for needle gauges from 34 to 52 mm  
nécessaire uniq. pour les écartements des aiguilles compris entre 34,0 et 52,0 mm  
necesario solamente para distancias entre agujas de 34,0 a 52,0 mm

\* Unterklasse kann mit Fadendurchzieh- und -abschneideeinrichtung -900/. . in den Nadelabständen 3,2; 4,0; 4,8; 5,2; 6,0; 6,4; 7,2; 8,0; 9,2; 10,0; 11,2; 12,0; 13,2; 14,0; 15,2; 16,0; 18,0; 20,0; 22,0; 24,0; 25,2; 26,0; 28,0 und 30,0 mm geliefert werden, jedoch nur unter Berücksichtigung des in der Tabelle angegebenen Nadelabstandsbereichs  
Bei Maschinen mit -900/11 und /51 ändern sich folgende Bestellnummern: Stoffschieber von 91-040 433-04 in 91-047 934-04 und Stichplatte von 91-040 434-04 in 91-058 652-04.  
Bei Maschinen mit -900/16 und /56 ändern sich folgende Bestellnummern: Stoffschieber von 91-040 433-04 in 91-047 934-04 und Stichplatte von 91-040 434-04 in 91-058 943-04.

\* This subclass can be supplied with thread puller/trimmer -900/. . in the following needle gauges: 3.2, 4.0, 4.8, 5.2, 6.0, 6.4, 7.2, 8.0, 9.2, 10.0, 11.2, 12.0, 13.2, 14.0, 15.2, 16.0, 18.0, 20.0, 22.0, 24.0, 25.2, 26.0, 28.0, 30.0 and 32.0 mm, provided they fall within the needle gauge range listed in the table. For machines with -900/11 and /51 the ordering number of the feed dog is changed from 91-040 433-04 to 91-047 934-04 and that of the needle plate from 91-040 434-04 to 91-058 652-04. For machines with -900/16 and /56 the following ordering numbers are changed: feed dog 91-040 434-04 to 91-047 934-04 and needle plate from 91-040 434-04 to 91-058 943-04.

\* Bestellnummer siehe Unterklassen -6/01

\*\* For ordering number see subcl. -6/01

• Ausführung angeben  
• Indicate model

<sup>5)</sup> = Nähmuster einsenden  
= Submit sewing sample

<sup>10)</sup> = Nadelabstand  
= Needle gauge  
= Écartement des aiguilles

## Unterklassen-Ausstattung<sup>1)</sup>

## Subclass organization<sup>1)</sup>

| Subklasse  | Ausführung<br>Model<br>Version<br>Tipo de máquina | Stoffschieber <sup>10,2)</sup><br>Vibrating presser<br>Pied entraîneur<br>Transportador superior   | Apparat <sup>5)</sup><br>Attachment<br>Appareil<br>Apparato | Träger<br>Bracket<br>Support<br>Supporto                           | Bandtrommel<br>Faper reel<br>Tambour-dérouleur<br>Tambor portacintas | Kopfplatte<br>Faca plate<br>Plaque frontale<br>Placa frontal | Bandführung<br>Tape guide<br>Guide-ruban<br>Guiacintas | Schieber <sup>10,2)</sup><br>Slide<br>Glissière<br>Corredera |
|------------|---|--|---|--|--|--|--|--|
| /01*       | H3 CN   | 91-049 144-93 <sup>5)</sup>  | 91-053 531-24   |  |  |  |  |  |
| /01*       | H3 CN   | 91-049 144-93 <sup>5)</sup>  | 91-056 413-93<br>91-056 429-13                              |  | 91-042 742-91  | 91-108 604-91  |  |  |
| /02*       | H3 CN   | 91-045 729-93 <sup>5)</sup>  | 91-045 728-23   | 91-040 528-90  |  |  |  |  |
| /01-6/01   | H3 CPN  | 91-040 430-93  |   |  |  |  |  |  |
| /01-367/01 | H2 BP   | 91-049 686-93 <sup>5)</sup><br><sup>10)</sup> = 20,0+22,0 mm<br>91-049 701-93 <sup>5)</sup><br><sup>10)</sup> = 24,0-32,0 mm   | 91-053 857-23<br>91-108 523-93                              | 91-053 659-25<br>91-053 652-91<br>91-056 648-90▲<br>91-056 649-25▲ | 91-018 697-91<br>91-041 644-91                                       | 91-108 526-91  | 91-044 419-25  | 91-108 567-93  |
| /01-368/01 | H2 BP   | 91-049 686-93 <sup>5)</sup><br><sup>10)</sup> = 20,0+22,0 mm<br>91-049 701-93 <sup>5)</sup><br><sup>10)</sup> = 24,0-32,0 mm<br>91-049 703-93 <sup>5)</sup><br><sup>10)</sup> = 34,0-52,0 mm | 91-053 857-23<br>91-053 655-91                              | 91-053 659-25<br>91-053 652-91<br>91-056 648-90▲<br>91-056 649-25▲ | 91-018 697-91<br>91-041 644-91                                       | 91-108 526-91  | 91-044 419-25  | 91-108 567-93  |
| /01-369/01 | H2 BP   | 91-049 686-93 <sup>5)</sup><br><sup>10)</sup> = 20,0+22,0 mm<br>91-049 701-93 <sup>5)</sup><br><sup>10)</sup> = 24,0-32,0 mm   | 91-053 857-23<br>91-108 576-91                              | 91-053 659-25<br>91-053 652-91                                     | 91-018 697-91<br>91-041 644-91                                       | 91-108 526-91  | 91-044 419-25  | 91-108 567-93  |
| /01-370/01 | H2 BP   | 91-049 686-93 <sup>5)</sup><br><sup>10)</sup> = 20,0+22,0 mm<br>91-049 701-93 <sup>5)</sup><br><sup>10)</sup> = 24,0-32,0 mm   | 91-053 857-23<br>91-108 577-93                              | 91-053 659-25<br>91-053 652-91                                     | 91-018 697-91<br>91-041 644-91                                       | 91-108 526-91  | 91-044 419-25  | 91-108 567-93  |
| /01-371/01 | H2 BP   | 91-049 686-93 <sup>5)</sup><br><sup>10)</sup> = 20,0+22,0 mm<br>91-049 701-93 <sup>5)</sup><br><sup>10)</sup> = 24,0-32,0 mm   | 91-053 857-23<br>91-053 889-93                              | 91-053 659-25  | 91-018697-91<br>91-041 644-91  | 91-108 526-91  | 91-044 419-25  | 91-108 567-93  |

\* En coupe-fil -900/. la sous-classe ne pourra être livrée que dans les écartements des aiguilles de 3,2; 4,0; 4,8; 5,2; 6,0; 6,4; 7,2; 8,0; 9,2; 10,0; 11,2; 12,0; 13,2; 14,0; 15,2; 16,0; 18,0; 20,0; 22,0; 24,0; 25,2; 26,0; 28,0; 30,0 et 32,0 mm, en tenant compte cependant des limitations des écartements, indiquées dans le tableau.  
Dans le cas de machines avec -900/11 ou /51, le n° de commande de la griffe est à changer de 91-040 433-04 en 91-047 934-04 et celui de la plaque à aiguille de 91-040 434-04 en 91-058 652-04 tandis que pour les machines avec -900/16 ou /56, ces n° changent pour la griffe de 91-040 433-04 en 91-047 934-04 et pour la plaque à aiguille de 91-040 434-04 en 91-058 943-04.

\*\* N° de commande, voir ss-cl. -6/01

\* La subclasse se puede suministrar con cortahilos automático -900/. en las distancias entre agujas siguientes: 3,2; 4,0; 4,8; 5,2; 6,0; 6,4; 7,2; 8,0; 9,2; 10,0; 11,2; 12,0; 13,2; 14,0; 15,2; 16,0; 18,0; 20,0; 22,0; 24,0; 25,2; 26,0; 28,0; 30,0 y 32,0 mm, pero siempre teniendo en cuenta las limitaciones de las distancias indicadas en la tabla.  
En máquinas con -900/11 y /51 el N° de pedido del transportador 91-040 433-04 se sustituye por el N° 91-047 934-04 y el N° de la placa de aguja 91-040 434-04 por el N° 91-058 652-04.  
En máquinas con -900/16 y /56 el N° de pedido del transportador 91-040 433-04 se sustituye por el N° 91-047 934-04 y el N° de la placa de aguja 91-040 434-04 por el N° 91-058 943-04.

\*\* Para el N° de pedido, véase la subclase -6/01

<sup>10,1)</sup> = je nach Nadelabstand ändern sich die Form (z. B. beim Stoffschieber die Anzahl der Zahnreihen)  
= Certain design features change according to the needle gauge (e. g. the number of tooth rows on the feed dog)  
= La forme est fonction de l'écartement des aiguilles (par ex. le nombre des rangées de dents de la griffe)  
= La forma varía de acuerdo con la distancia entre agujas (p. e. el número de hileras de dientes en el transportador)

<sup>10,2)</sup> = Nadelabstand bei Bestellung angeben  
= State needle gauge on order  
= Indiquer écartement des aiguilles à la commande  
= Indíquese en los pedidos la distancia entre agujas

Equipement des sous-classes<sup>1)</sup>

Dotación de las subclases<sup>1)</sup>

| Souclass<br>Sous-classe<br>Subclase | Ausführung<br>Modell<br>Version<br>Tipo de máquina | Nähmaschinen 10/2<br>Sewing parts<br>Pièces P. machine<br>de rechange<br>Clasificación para<br>proboscación pretina | Fingerschutz<br>Finger guard<br>Pouge-dogis<br>Safraedocs | Hallewinkel<br>Bracket<br>Equerre de retenue<br>Soporte angular | Lüfterhebel<br>Lifting lever<br>Lévier releveur<br>Palanca alzaplensatales | Bolzen<br>Stud<br>Bouillon<br>Perno | Seilzug<br>Pulr cable<br>Transmission par câble<br>Cable de mando |
|-------------------------------------|--|---|---|---|--|-------------------------------------|---|
| 37/01*                              | H3 CN  |   | **  |   |  |                                     |   |
| 55/01*                              | H3 CN  |   | **  | 91-050 924-15   | 91-108 589-41  | 91-108 594-05                       | 91-108 595-91   |
| 68/02*                              | H3 CN  |   | **  |   |  |                                     |   |
| 48/01-6/01                          | H3 CPN   |   | **  |   |  |                                     |   |
| 48/01-367/01                        | H2 BP  | 91-010 777-14   |   |   |  |                                     |   |
| 48/01-368/01                        | H2 BP  | 91-010 777-14   |   |   |  |                                     |   |
| 48/01-369/01                        | H2 BP  | 91-108 574-14   |   |   |  |                                     |   |
| 748/01-370/01                       | H2 BP  | 91-108 574-14   |   |   |  |                                     |   |
| 748/01-371/01                       | H2 BP  | 91-108 574-14   |   |   |  |                                     |   |

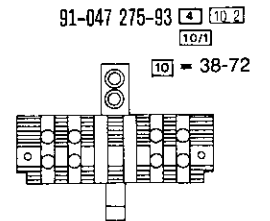
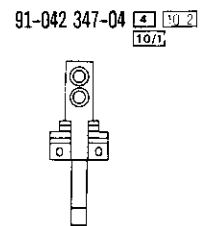
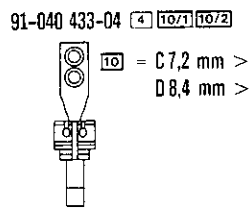
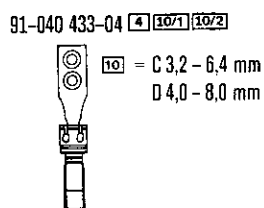
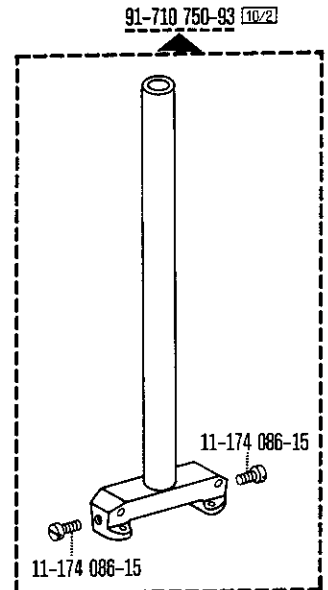
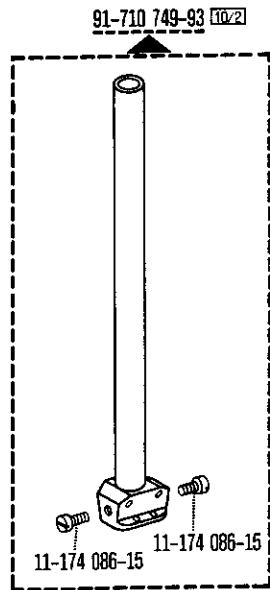
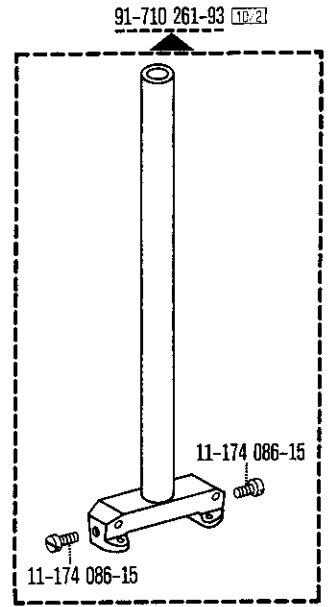
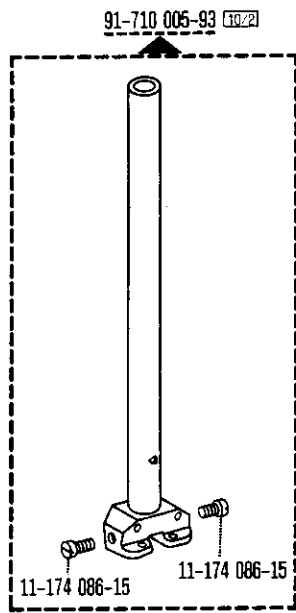
1) Die Liste enthält nur Nähwerkzeuge und Apparate. Beim Umbau in eine andere Unterklasse oder Ausführung können auch noch Maschinenteile erforderlich werden. Geben Sie also bei Bestellungen die genaue Bezeichnung der vorhandenen und der gewünschten Ausführung bekannt.

1) This list contains sewing parts and attachments only. When converting to another subclass or version, machine parts may also be required. When ordering please therefore indicate exactly the existing version and the one required.

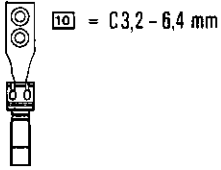
1) Cette liste ne contient que les organes de couture et les guides. En cas de transformation en une sous-classe ou variante différente, certaines pièces de machine supplémentaires pourront devenir nécessaires. En cas de commande, prière de toujours indiquer par conséquent les variantes disponibles et souhaitées.

1) Esta lista sólo contiene elementos de costura y aparatos. Siempre que haya que transformar la máquina en otro tipo o subclase, es posible que se necesiten también piezas de máquina, por lo que deberá indicarse en los pedidos el tipo exacto de que se dispone y el deseado.

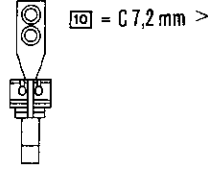




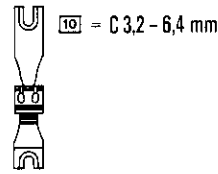
91-047 934-04 [4] [10/1] [10/2]



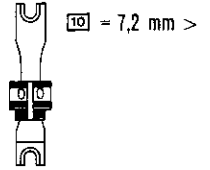
91-047 934-04 [4] [10/1] [10/2]



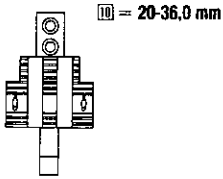
91-059 001-04 [4] [10/1] [10/2]



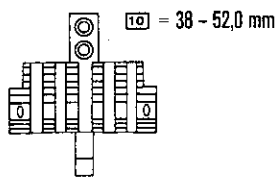
91-059 001-04 [4] [10/1] [10/2]



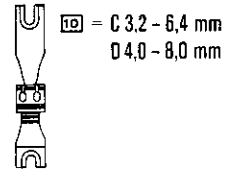
91-059 014-04 [4] [10/1] [10/2]



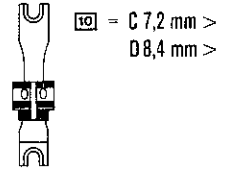
91-059 129-93 [4] [10/1] [10/2]



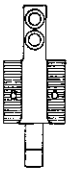
91-490 712-04 [4] [10/1] [10/2]



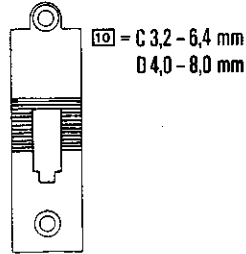
91-490 712-04 [4] [10/1] [10/2]



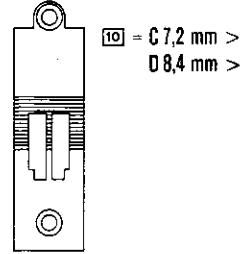
91-490 842-04 [4] [5] [10/1] [10/2]



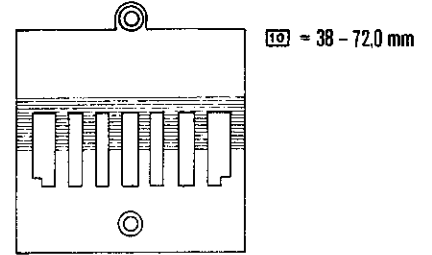
91-040 434-04 [4] [10/1] [10/2]



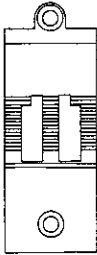
91-040 434-04 [4] [10/1] [10/2]



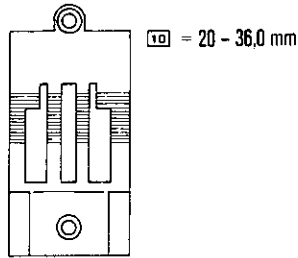
91-040 434-04 [4] [10/1] [10/2]



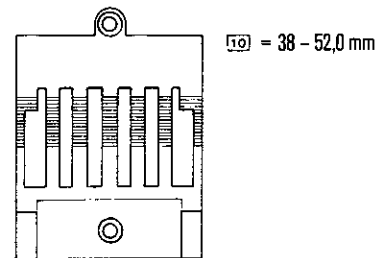
91-042 348-04 [4] [10/1] [10/2]



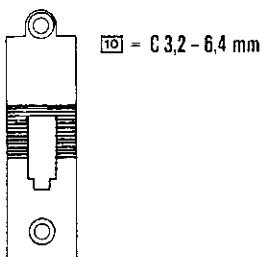
91-058 050-03 [4] [10/1] [10/2]



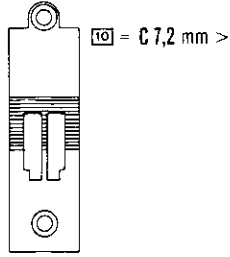
91-058 050-03 [4] [10/1] [10/2]



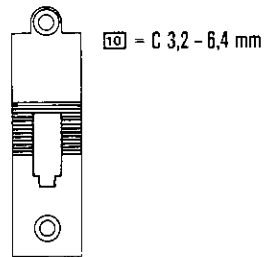
91-058 652-04 [4] [10/1] [10/2]



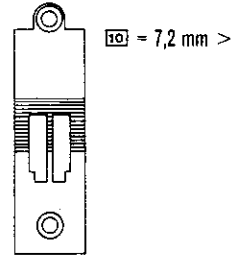
91-058 652-04 [4] [10/1] [10/2]



91-058 688-04 [4] [10/1] [10/2]

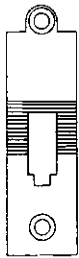


91-058 688-04 [4] [10/1] [10/2]



Unterklassen-Übersicht / Table of subclasses / Table des sous-classes / Tabla de subclasses

91-058 943-04 4 10/1 10/2



10 = C 3,2 - 6,4 mm

91-058 943-04 4 10/1 10/2



10 = C 7,2 mm >

91-058 944-04 4 10/1 10/2



10 = C 3,2 - 6,4 mm

91-058 944-04 4 10/1 10/2



10 = 7,2 mm >

91-486 853-04 4 10/1 10/2



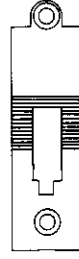
10 = C 3,2 - 6,4 mm  
D 4,8 - 8,0 mm

91-486 853-04 4 10/1 10/2



10 = C 7,2 mm >  
D 8,4 mm >

91-490 713-04 4 10/1 10/2



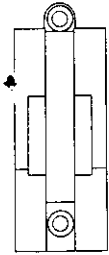
10 = C 3,2 - 6,4 mm  
D 4,8 - 8,0 mm

91-490 713-04 4 10/1 10/2



10 = C 7,2 mm >  
D 8,4 mm >

91-490 841-04 4 5  
10/3 10/2



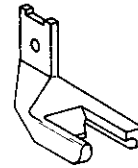
91-040 429-04 4 10/2



91-042 088-05 10/2  
5



91-042 377-05 5  
10/2



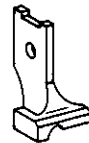
91-042 708-04 4 10/2



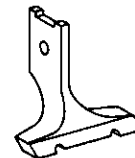
91-043 456-04 4  
10/2



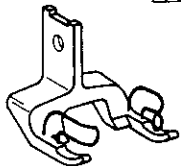
91-044 449-04 4 5 10/2



91-045 730-04 4 5 10/2



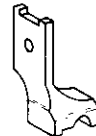
91-049 503-03 4 5  
10/2



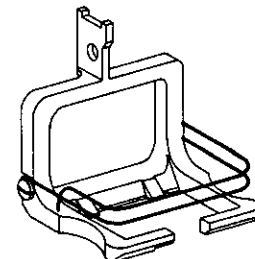
91-049 509-04 4 10/2




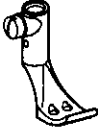

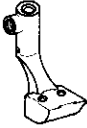

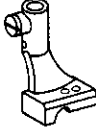
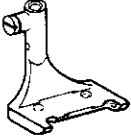
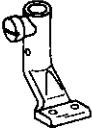



91-049 515-04 4 5  
10/2



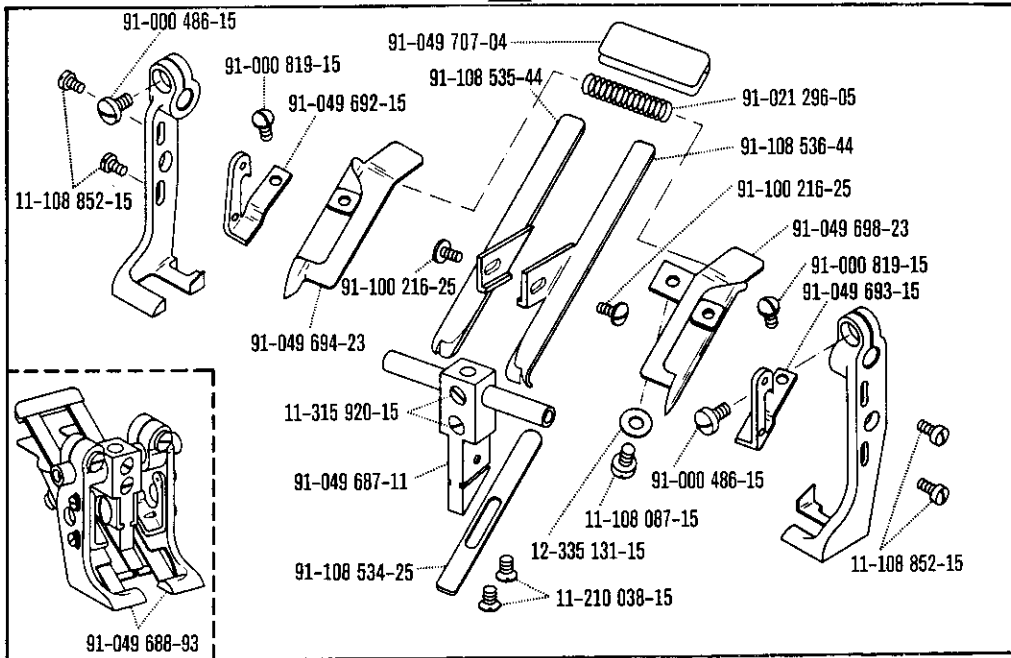
91-049 607-93 4 10/2




CHROMIUM VANADIUM STEEL / TABLE OF CONTENTS / PARTS LIST

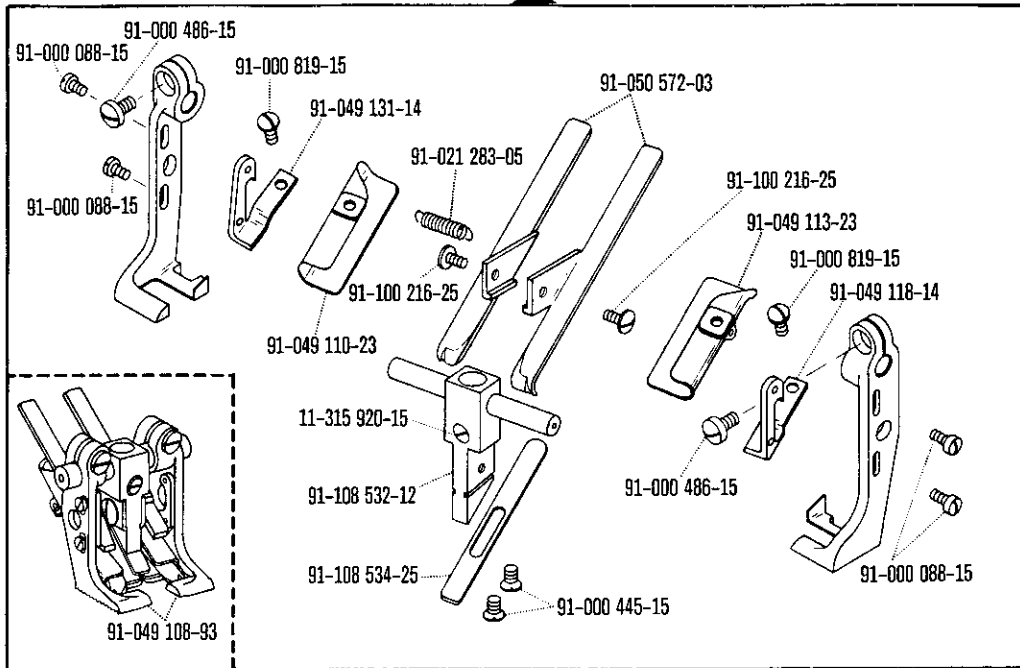
|  |   |   |   |
|--|---|---|---|
| <p>91-049 668-04 <span style="border: 1px solid black; padding: 0 2px;">4</span> <span style="border: 1px solid black; padding: 0 2px;">5</span> <span style="border: 1px solid black; padding: 0 2px;">10/2</span></p>   | <p>91-486 629-04 <span style="border: 1px solid black; padding: 0 2px;">4</span> <span style="border: 1px solid black; padding: 0 2px;">5</span> <span style="border: 1px solid black; padding: 0 2px;">10/2</span></p>    | <p>91-040 430-93 <span style="border: 1px solid black; padding: 0 2px;">4</span> <span style="border: 1px solid black; padding: 0 2px;">5</span> <span style="border: 1px solid black; padding: 0 2px;">10/2</span></p>   | <p>91-042 087-93 <span style="border: 1px solid black; padding: 0 2px;">4</span> <span style="border: 1px solid black; padding: 0 2px;">5</span> <span style="border: 1px solid black; padding: 0 2px;">10/2</span></p>    |
| <p>91-042 376-93 <span style="border: 1px solid black; padding: 0 2px;">4</span> <span style="border: 1px solid black; padding: 0 2px;">5</span> <span style="border: 1px solid black; padding: 0 2px;">10/2</span></p>   | <p>91-043 455-93 <span style="border: 1px solid black; padding: 0 2px;">4</span> <span style="border: 1px solid black; padding: 0 2px;">5</span> <span style="border: 1px solid black; padding: 0 2px;">10/2</span></p>    | <p>91-044 448-93 <span style="border: 1px solid black; padding: 0 2px;">4</span> <span style="border: 1px solid black; padding: 0 2px;">5</span> <span style="border: 1px solid black; padding: 0 2px;">10/2</span></p>   | <p>91-045 729-93 <span style="border: 1px solid black; padding: 0 2px;">4</span> <span style="border: 1px solid black; padding: 0 2px;">5</span> <span style="border: 1px solid black; padding: 0 2px;">10/2</span></p>    |
| <p>91-049 017-93 <span style="border: 1px solid black; padding: 0 2px;">4</span> <span style="border: 1px solid black; padding: 0 2px;">5</span> <span style="border: 1px solid black; padding: 0 2px;">10/2</span></p>  | <p>91-049 022-93 <span style="border: 1px solid black; padding: 0 2px;">4</span> <span style="border: 1px solid black; padding: 0 2px;">5</span> <span style="border: 1px solid black; padding: 0 2px;">10/2</span></p>  | <p>91-049 023-93 <span style="border: 1px solid black; padding: 0 2px;">4</span> <span style="border: 1px solid black; padding: 0 2px;">5</span> <span style="border: 1px solid black; padding: 0 2px;">10/2</span></p>  | <p>91-049 144-03 <span style="border: 1px solid black; padding: 0 2px;">4</span> <span style="border: 1px solid black; padding: 0 2px;">5</span> <span style="border: 1px solid black; padding: 0 2px;">10/2</span></p>  |

91-049 686-93 4 5 10/2



**Beilageblatt zur Unterklassen-Ausstattung Pfaff 546**  
**Loose leaf for the Pfaff 546 subclass parts list**  
**Feuille à joindre à la «Composition des sous-classes» de la Pfaff 546**  
**Hoja suplementaria a la «Composición de las subclases» de la Pfaff 546**

91-018 696-93  = 20 - 22 mm




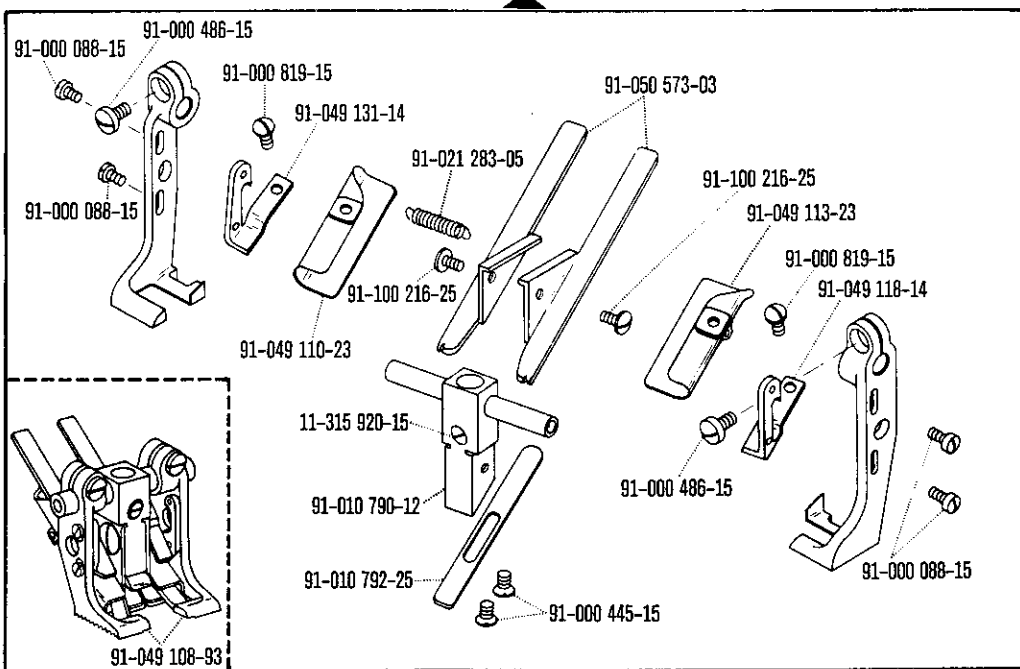
Frühere Ausführung des Stoffschiefbefüßes der Unterklassen -748/01-367/01, -748/01-368/01, -748/01-369/01, -748/01-370/01, -748/01-371/01

Previous version of the top feeder assembly of subclasses -748/01-367/01, -748/01-368/01, -748/01-369/01, -748/01-370/01, -748/01-371/01

Ancienne version du mécanisme de pied entraîneur pour les sous-classes -748/01-367/01, -748/01-368/01, -748/01-369/01, -748/01-370/01, -748/01-371/01

Tipo anterior del mecanismo del pie transportador de las subclases -748/01-367/01, -748/01-368/01, -748/01-369/01, -748/01-370/01, -748/01-371/01

91-049 107-93  = 24 - 32 mm



Frühere Ausführung des Stoffschiefbefüßes der Unterklassen -748/01-367/01, -748/01-368/01, -748/01-369/01, -748/01-370/01, -748/01-371/01

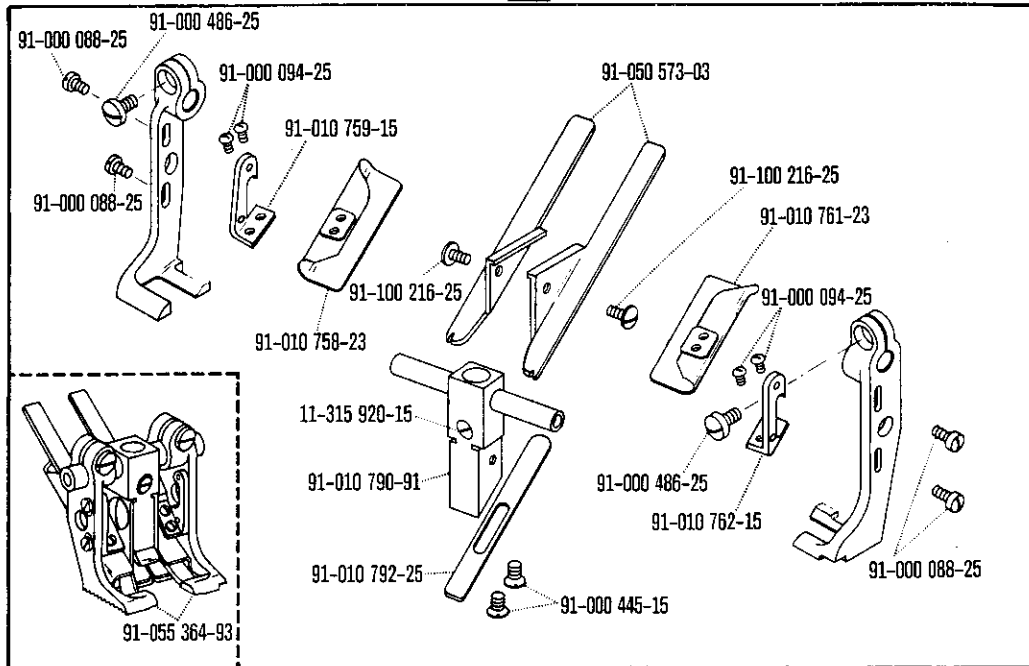
Previous version of the top feeder assembly of subclasses -748/01-367/01, -748/01-368/01, -748/01-369/01, -748/01-370/01, -748/01-371/01

Ancienne version du mécanisme de pied entraîneur pour les sous-classes -748/01-367/01, -748/01-368/01, -748/01-369/01, -748/01-370/01, -748/01-371/01

Tipo anterior del mecanismo del pie transportador de las subclases -748/01-367/01, -748/01-368/01, -748/01-369/01, -748/01-370/01, -748/01-371/01

**Loose leaf for the Pfaff 546 subclass parts list**  
**Feuille à joindre à la «Composition des sous-classes» de la Pfaff 546**  
**Hoja suplementaria a la «Composición de las subclases» de la Pfaff 546**

91-108 519-93 4 5 10 2 10 = 24 - 32 mm



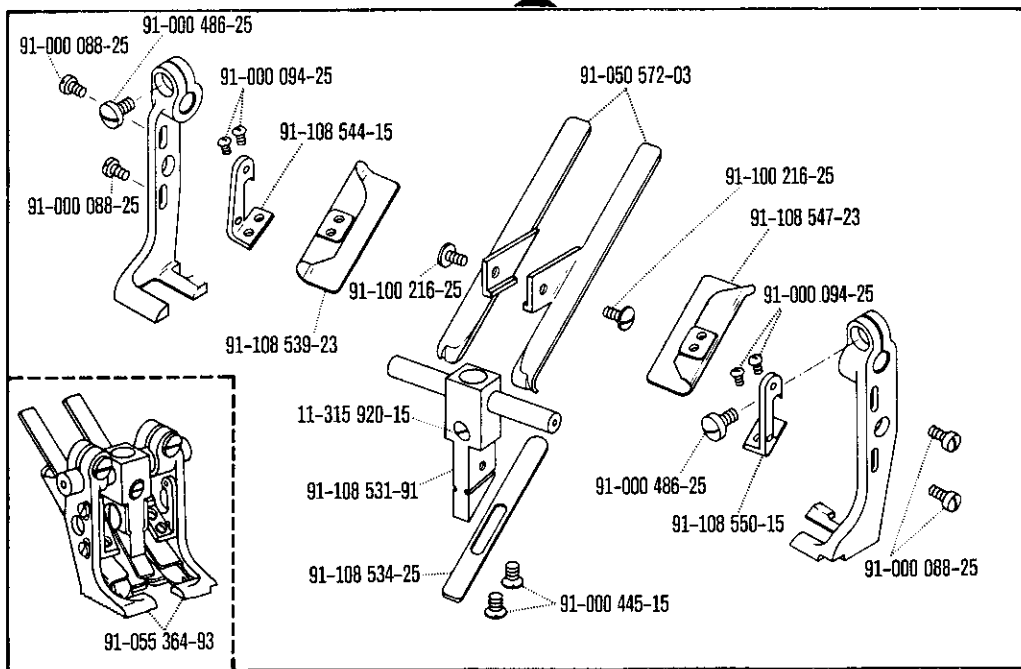
Frühere Ausführung des Stoffschiebefußes  
 der Unterklassen -748/01-367/01,  
 -748/01-368/01

Previous version of the top feeder assembly  
 of subclasses -748/01-367/01,  
 -748/01-368/01

Ancienne version du mécanisme de  
 pied entraîneur pour les sous-classes  
 -748/01-367/01, -748/01-368/01

Tipo anterior del mecanismo del pie transportador  
 de las subclases -748/01-367/01,  
 -748/01-368/01

91-108 520-93 4 5 10 2 10 = 20 - 22 mm



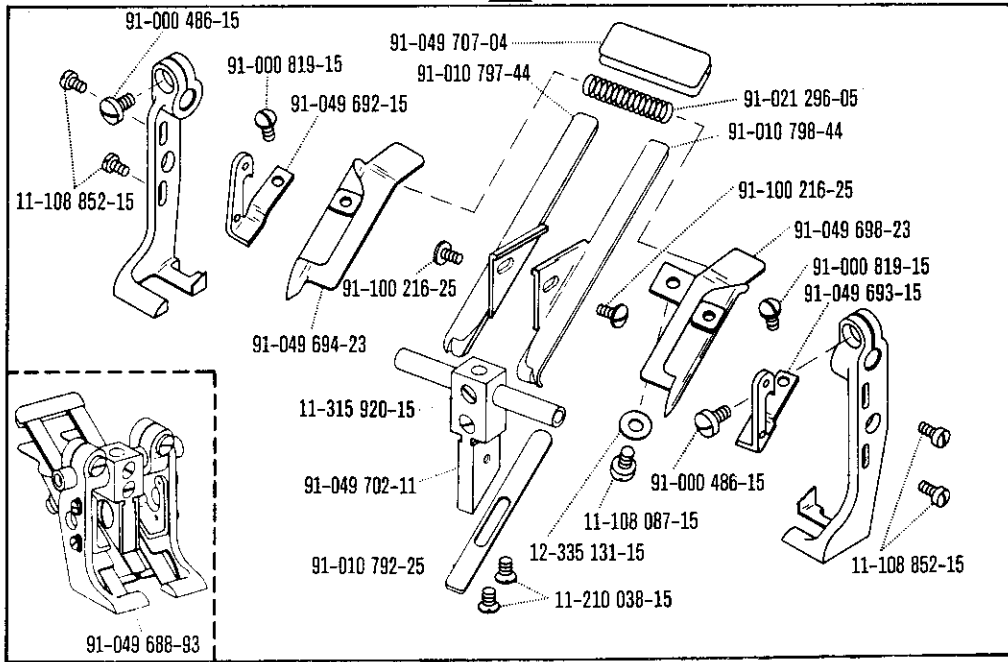
Frühere Ausführung des Stoffschiebefußes  
 der Unterklassen -748/01-367/01,  
 -748/01-368/01

Previous version of the top feeder assembly  
 of subclasses -748/01-367/01,  
 -748/01-368/01

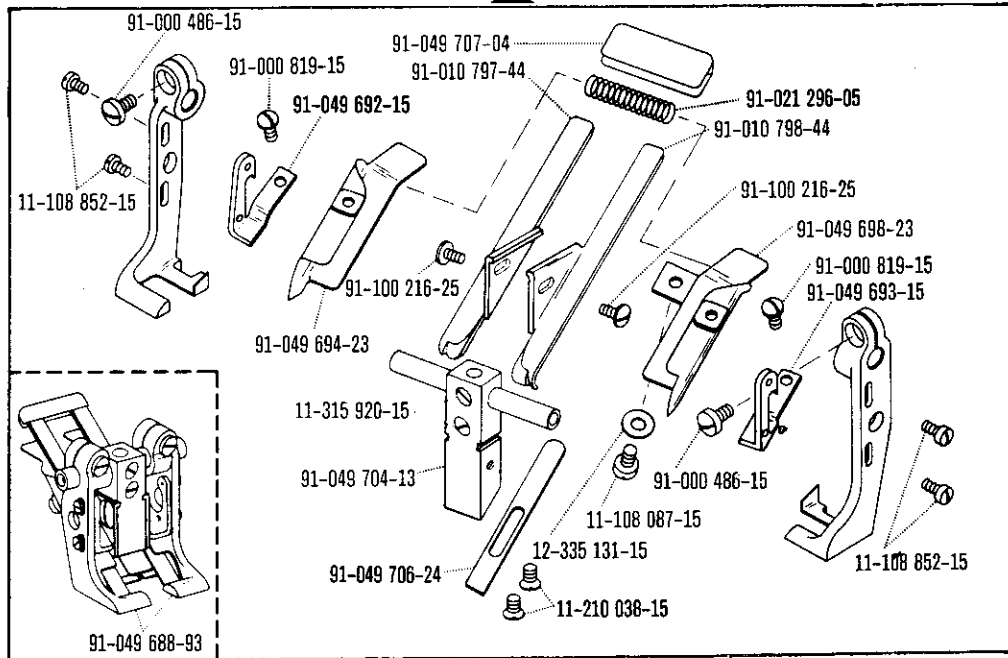
Ancienne version du mécanisme de  
 pied entraîneur pour les sous-classes  
 -748/01-367/01, -748/01-368/01

Tipo anterior del mecanismo del pie transportador  
 de las subclases -748/01-367/01,  
 -748/01-368/01

91-049 701-93 4 5 10/2



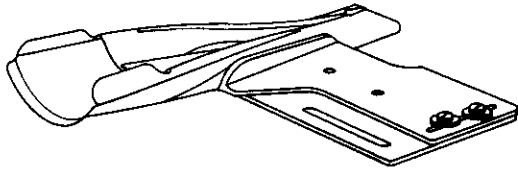
91-049 703-93 4 5 10/2



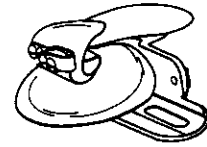
91-486 628-93 4 5 10/2



91-040 145-23 [5] [10, 2]

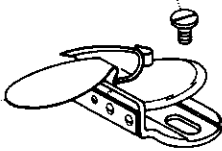


91-040 316-93 [5] [10, 2]

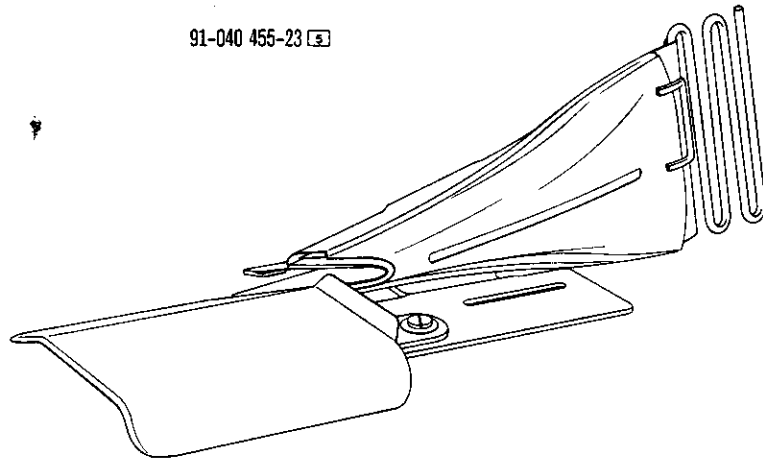


91-700 799-15

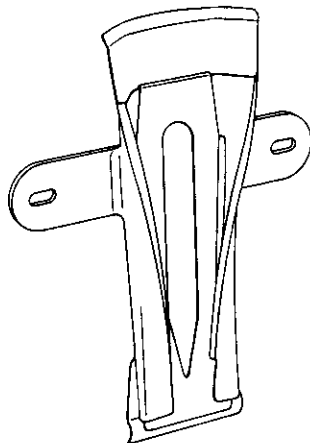
[10, 2] [5] 91-040 317-93



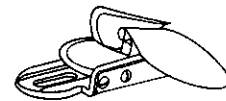
91-040 455-23 [3]



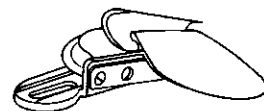
91-040 769-23 [5] [10, 2]



91-040 814-23 [5] [10, 2]

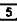


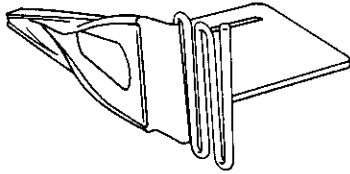
91-040 815-23 [5] [10, 2]





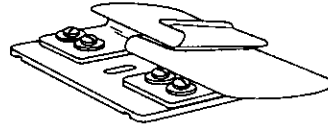


Unterklassen-Ubersicht / Table of subclasses / Table des sous-classes / Tabla de subclases

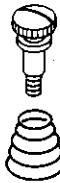
91-041 620-23 



91-041 848-23  



91-700 824-25



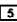
91-040 624-25

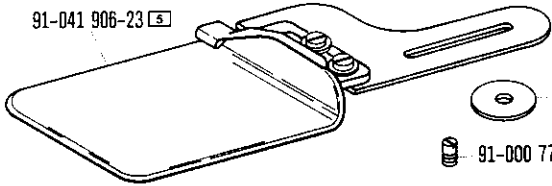


91-028 036-25

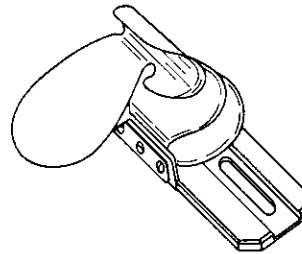


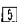
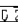
91-000 775-15

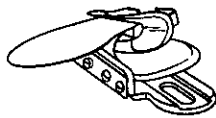
91-041 906-23 



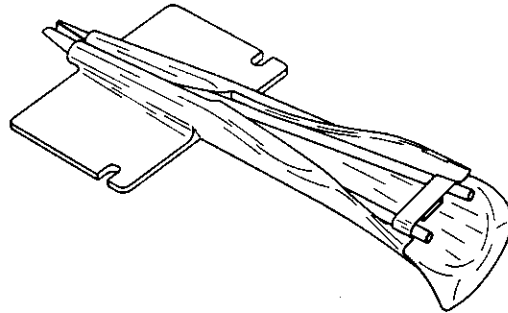
91-041 982-25 




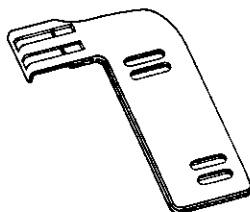
91-042 068-24  

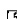


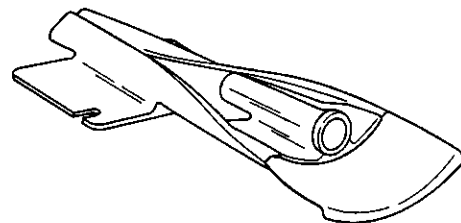
91-042 086-24 



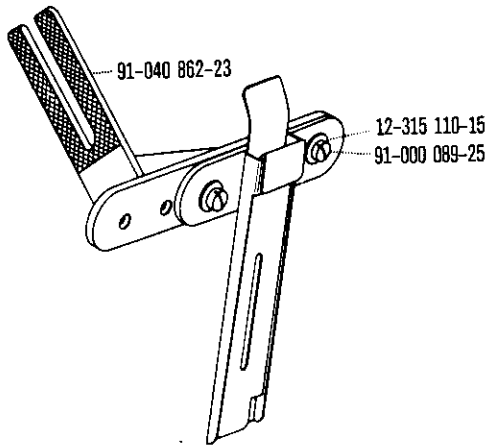
91-042 369-21 



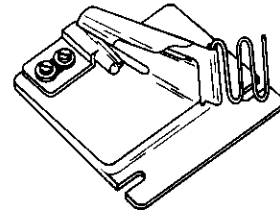
91-042 404-24 



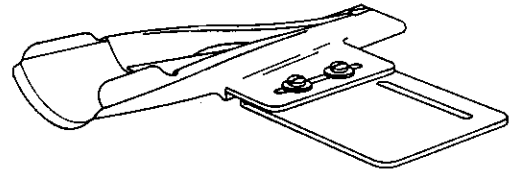
91-043 408-23 [5]



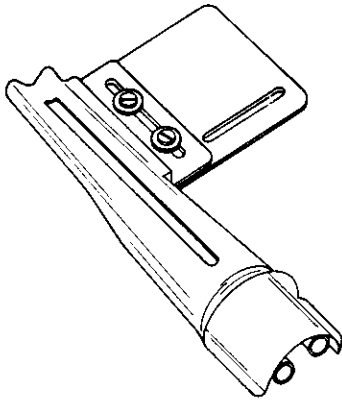
91-044 447-24 [5]



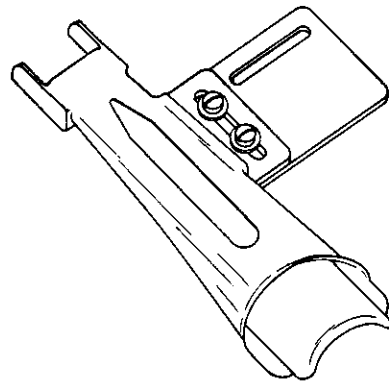
91-044 734-23 [5]



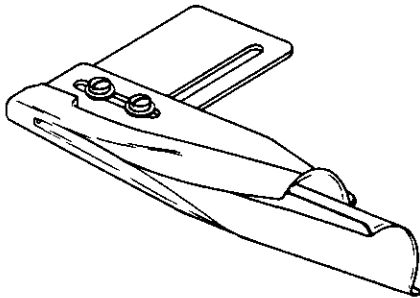
91-045 728-23 [5]



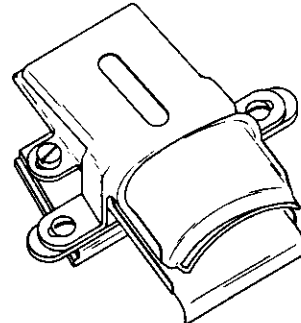
91-046 014-23 [5]



91-046 706-24 [5]

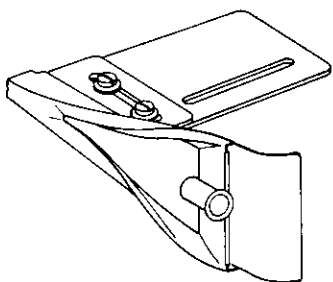



91-050 003-23 [5]

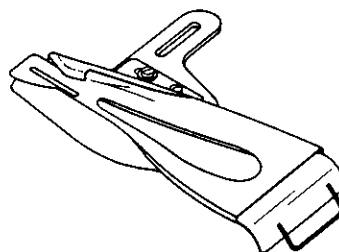


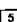
Unterklassen-Übersicht / Table of subclasses / Table des sous-classes / Tabla de subclases

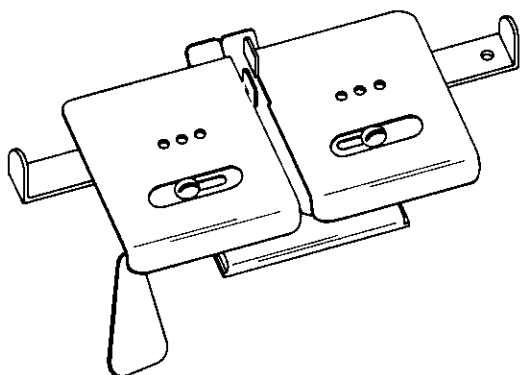
91-053 078-23 

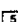


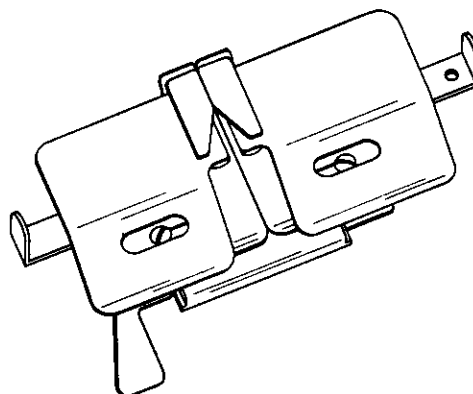
91-053 278-24 

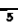


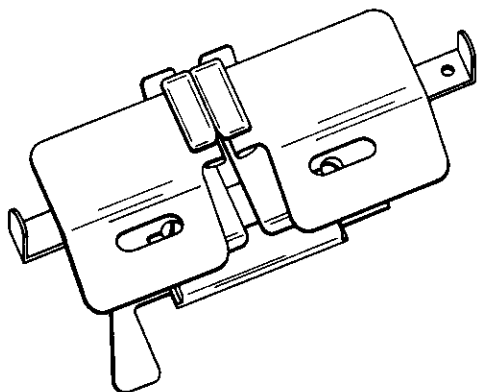
91-053 531-24 




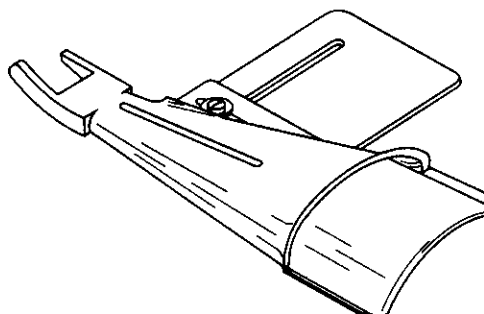
91-053 534-93 



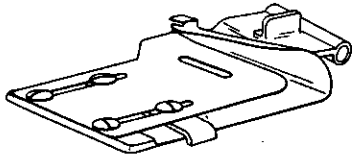
91-053 537-24 



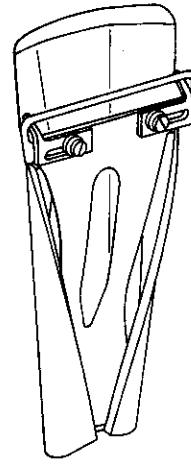
91-053 637-25 



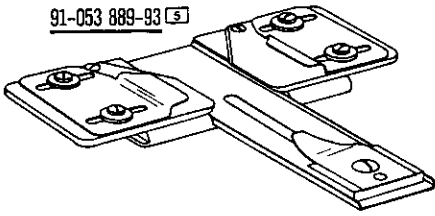
91-053 655-21 [5]



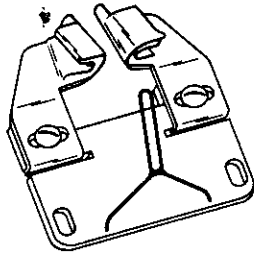
91-053 857-23 [5]



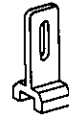
91-053 889-93 [5]



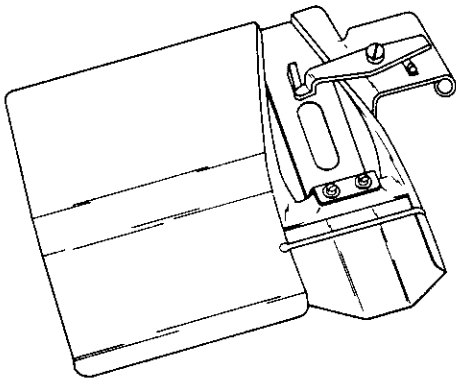
91-056 413-93 [5]



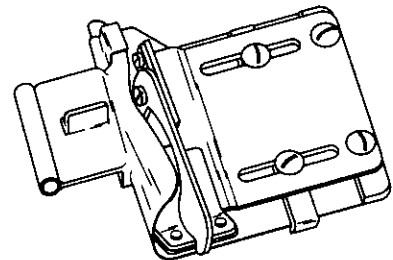
91-056 429-13 [5]



91-108 523-93 [5]

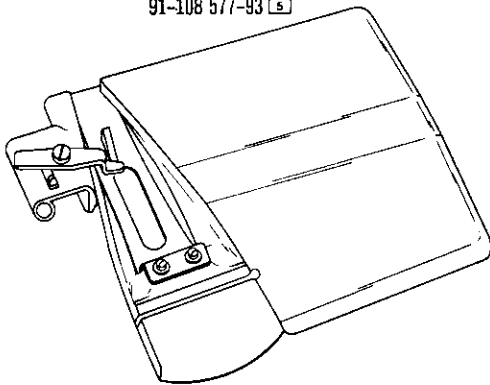


91-108 576-91 [5]

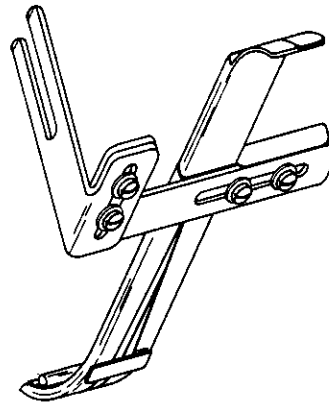


Unterklassen-Übersicht / Table of subclasses / Table des sous-classes / Tabla de subclases

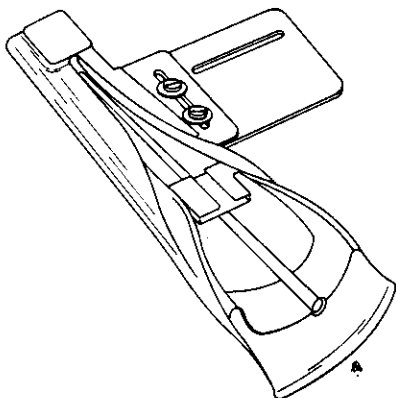
91-108 577-93 [5]



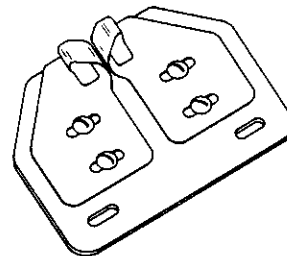
91-489 491-23 [5]



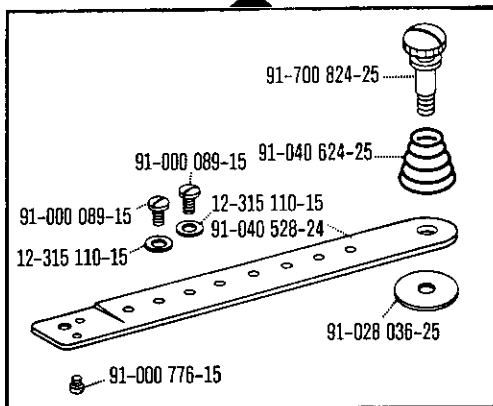
91-490 198-24 [5]



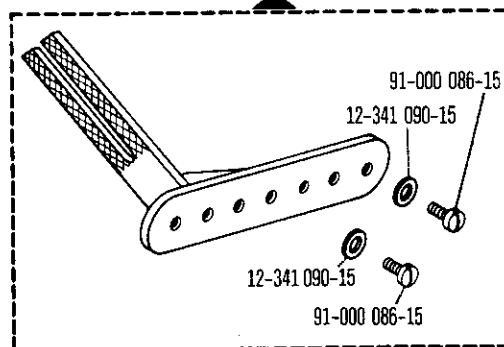
91-490 355-23 [5]



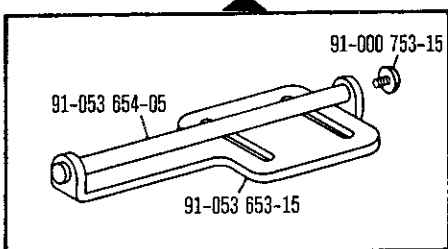
91-040 528-90



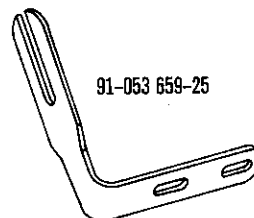
91-040 862-90



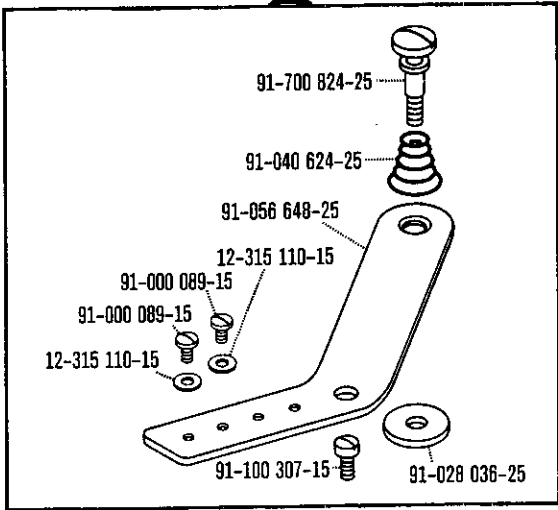
91-053 652-91



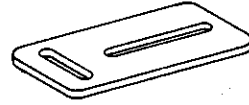
91-053 659-25



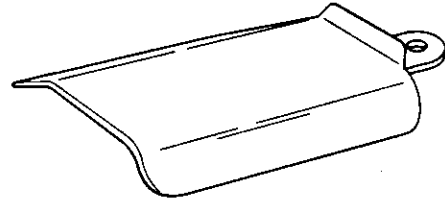
91-056 648-90



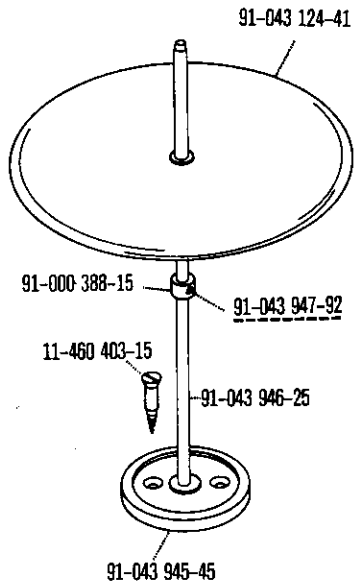
91-056 649-25



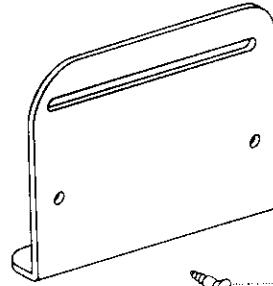
91-043 111-25



91-043 943-91



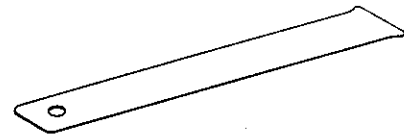
91-044 419-25



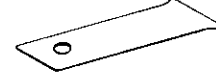
11-470 109-25

11-470 109-25

91-010 777-14 10/2

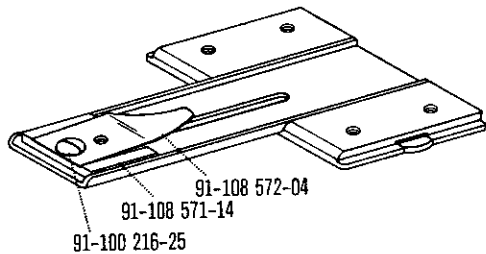


91-108 574-14 10/2

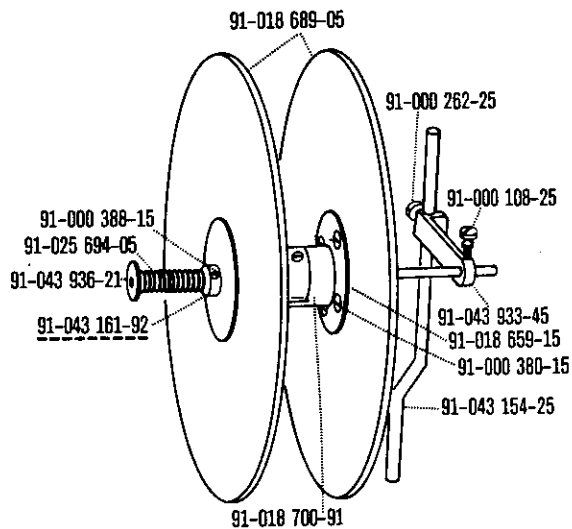


Unterklassen-Übersicht / Table of subclasses / Table des sous-classes / Tabla de subclases

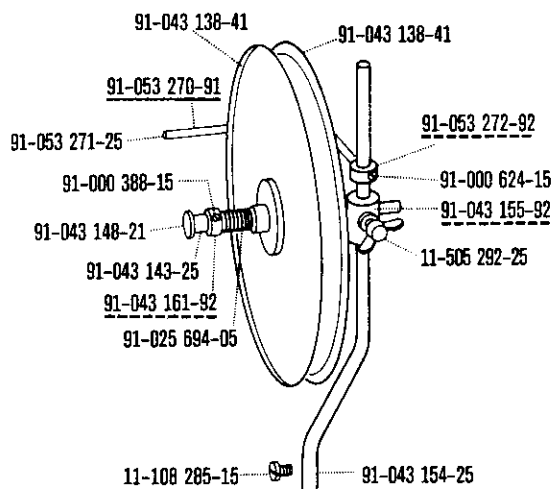
91-108 567-93 1102



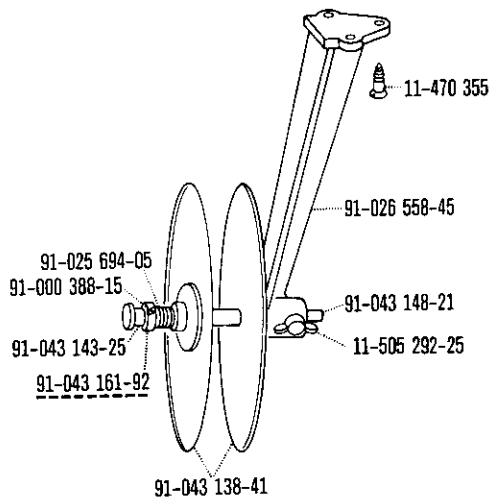
91-018 697-91



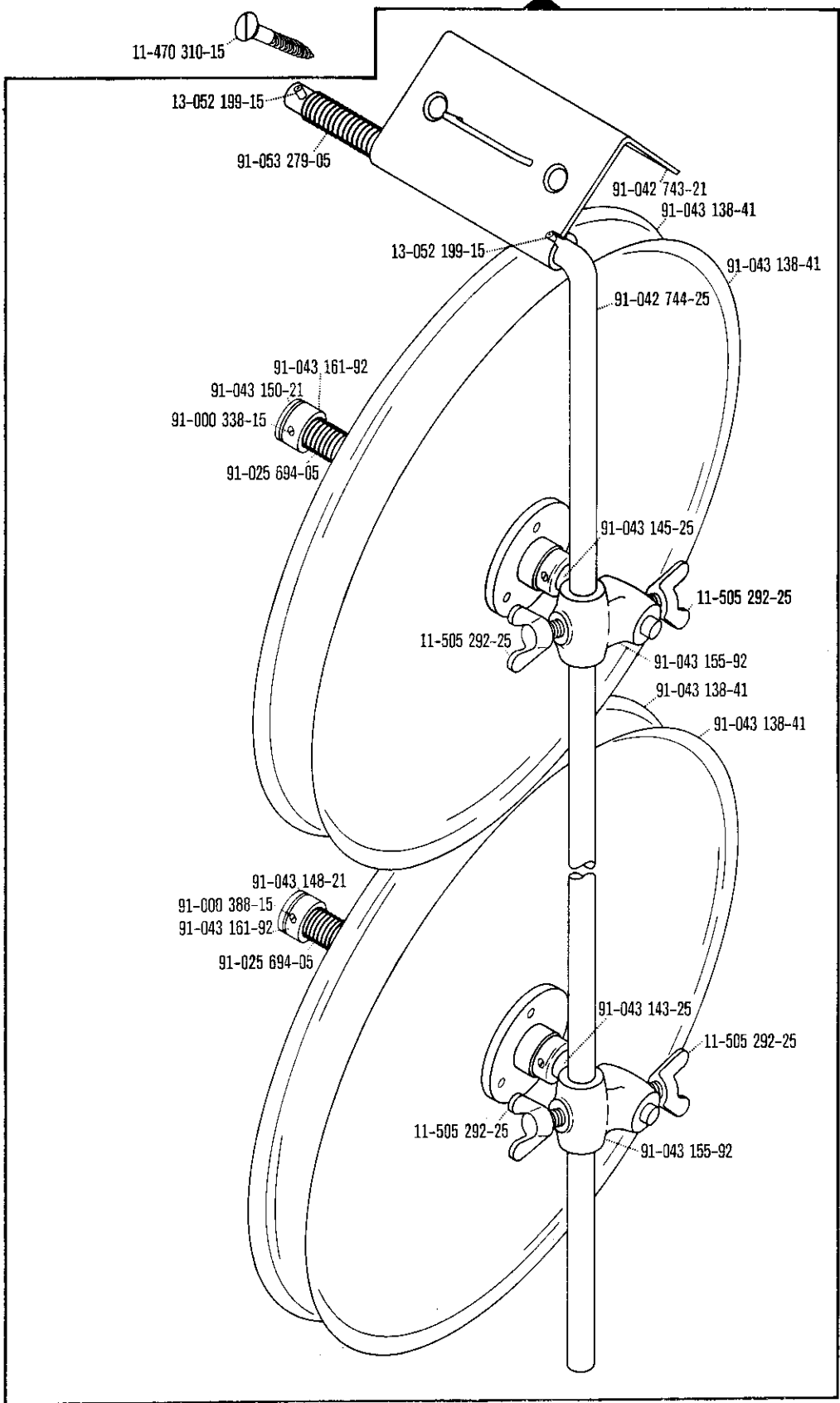
91-040 207-91



91-041 644-91



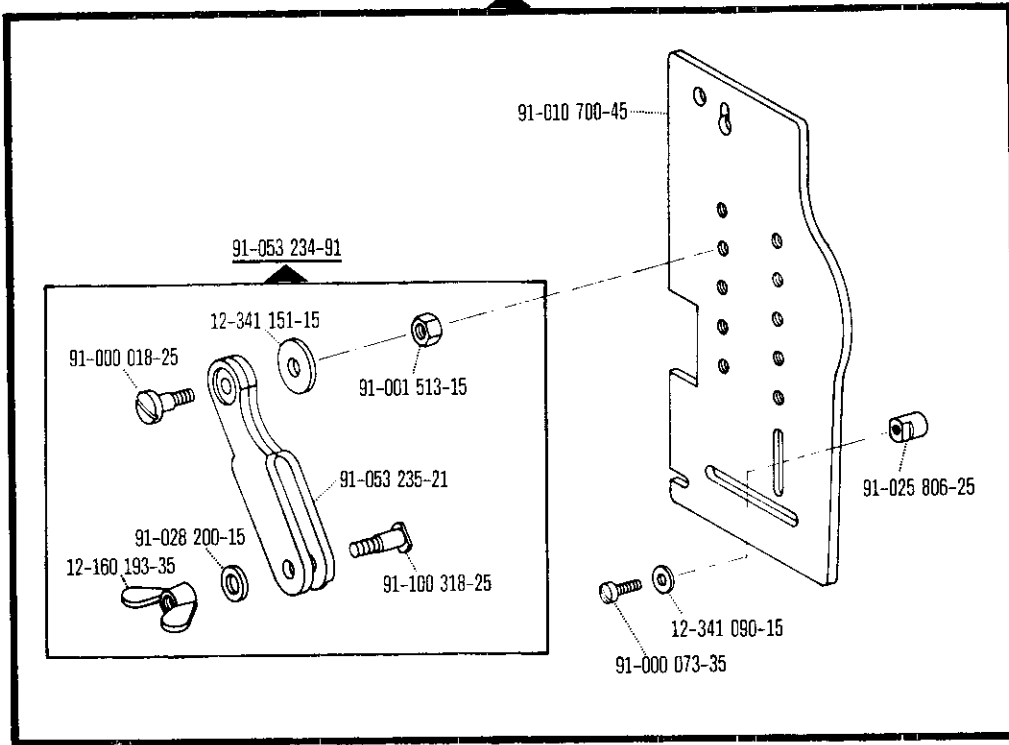
91-042 742-91



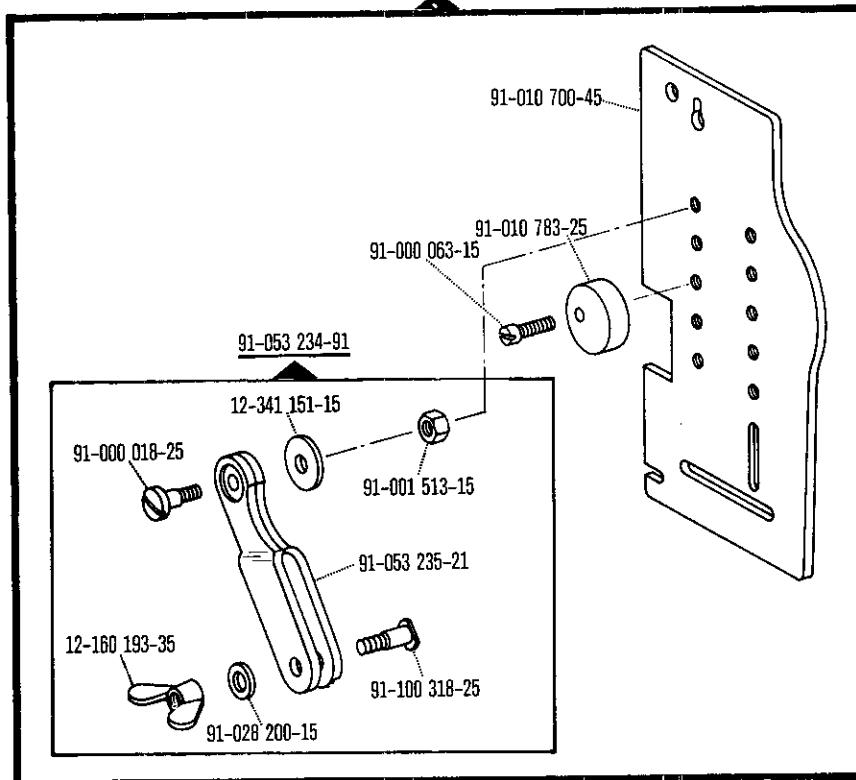


Unterklassen-Übersicht / Table of subclasses / Table des sous-classes / Tabla de subclases

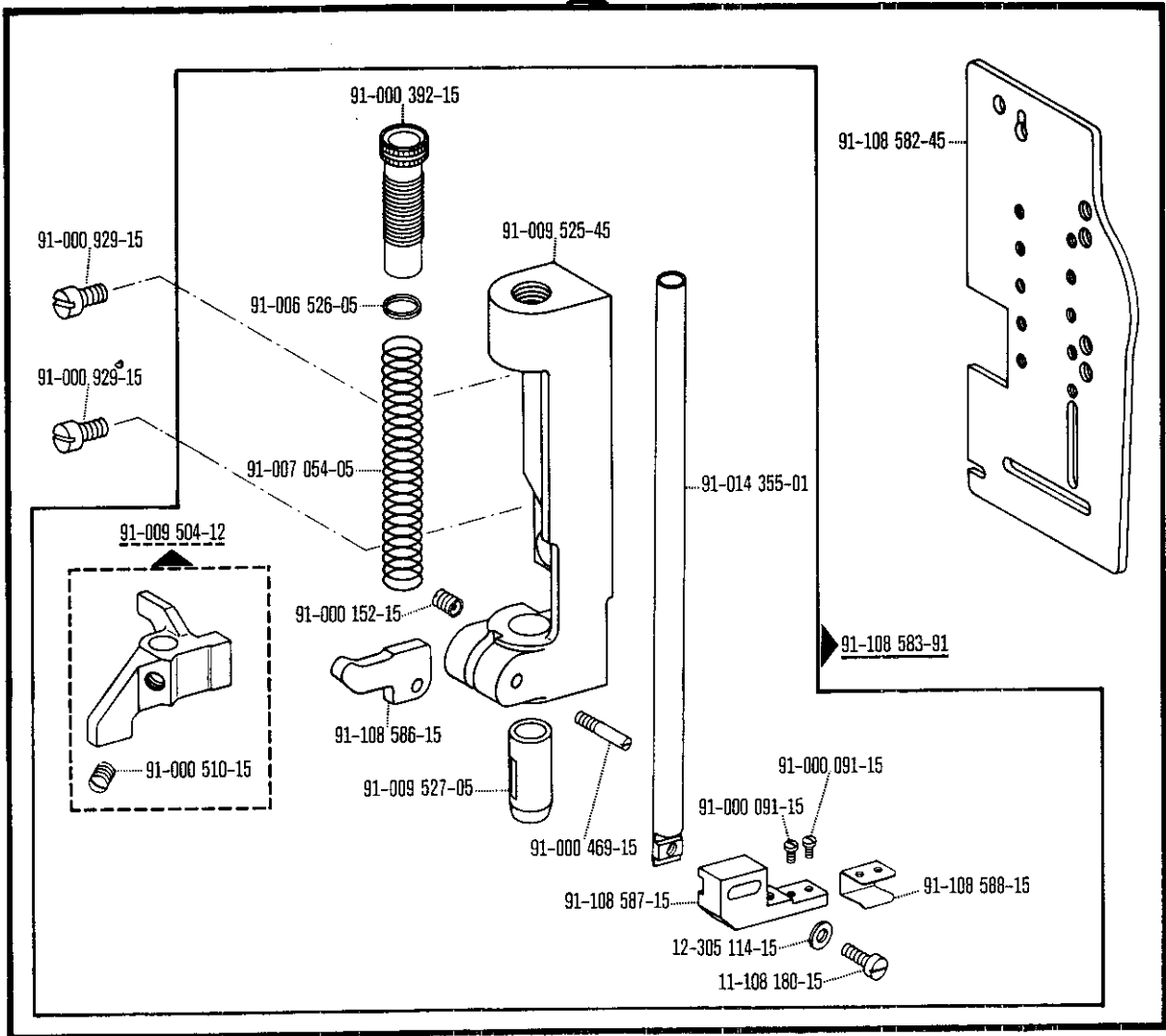
91-010 702-91



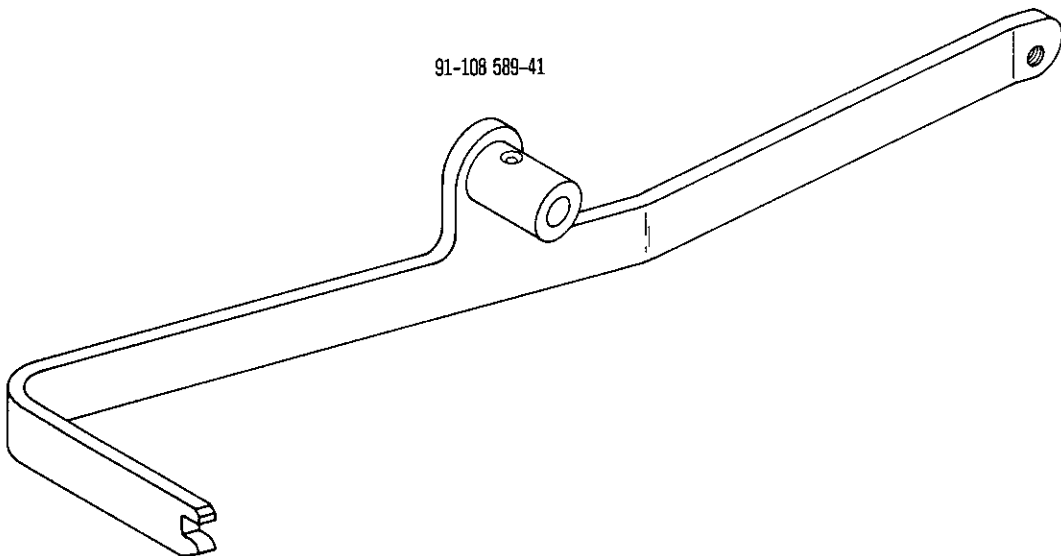
91-106 526-91



91-108 604-91

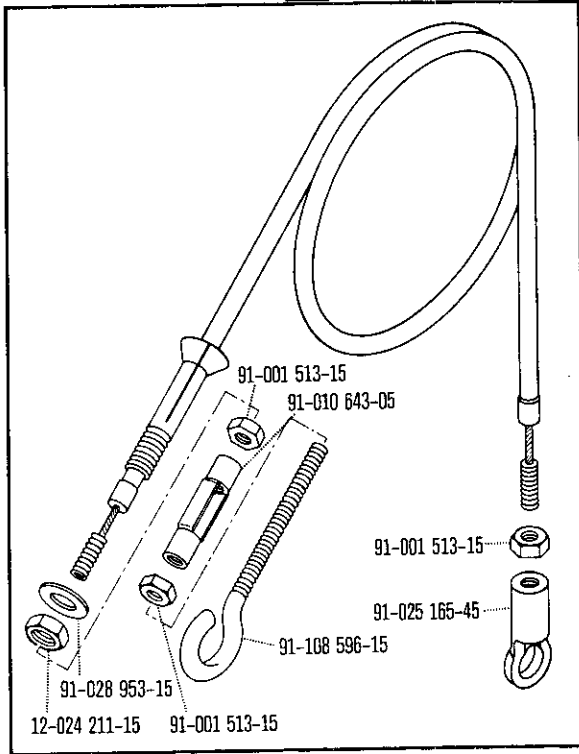


91-108 589-41

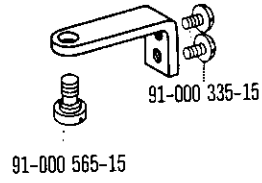


Unterklassen-Übersicht / Table of subclasses / Table des sous-classes / Tabla de subclases

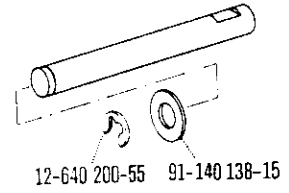
91-108 595-91



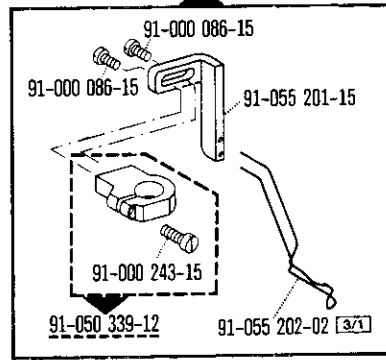
91-050 924-15



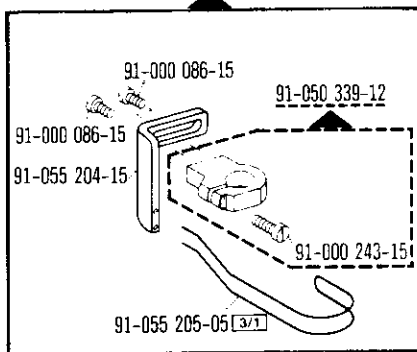
91-108 594-05



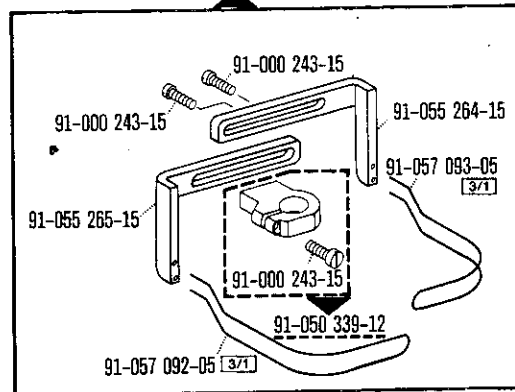
91-055 200-91



91-055 203-91



91-057 091-91



# PFAFF

**G.M. PFAFF  
Aktiengesellschaft**

Postfach 3020  
D-67653 Kaiserslautern

Königstr. 154  
D-67655 Kaiserslautern

Telefon: (0631) 200-0  
Telefax: (0631) 172 02  
Telex: 45753 PFAFF D

Gedruckt in der BRD  
Printed in Germany  
Imprimé en R.F.A.  
Impreso en la R.F.A.