



PEGASUS

INDUSTRIAL

SEWING MACHINE

PARTS LIST

MODEL

DC-MS230

DC-MS205

DC-MS220

DC-MS250

DC-MS205D

DC-MS220D

DC-MS230D

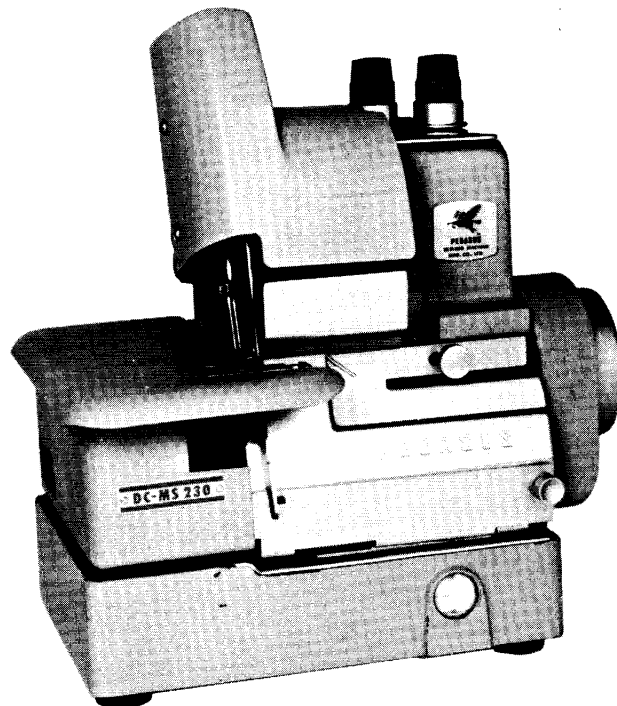
DC-MS250D

HIGH SPEED

2 NEEDLES

5 THREADS

**SAFETY-STITCH
MACHINES**



MODEL DC-MS230

**MIMA SEWING MACHINE CO., LTD.
PEGASUS SEWING MACHINE MFG. CO., LTD.**

OSAKA — JAPAN — TOKYO

IN ORDERING PARTS

This list has been arranged to simplify ordering repair parts for DC-MS series machines on the basis of model DC-MS230.

Various sections of the mechanisms are shown on each page. On the page opposite the illustration will be found a listing of the parts with their reference numbers, parts numbers, name and the number of pieces required.

A parts whose number is marked with an asterisk, e.g. *202075A, Page 3, is not recommended for the individual replacement, so complete assembly or sub-assembly should be ordered.

Organization parts for all models, whose numbers are marked with two asterisks, e.g. **200711, Ref. No.31, Page 5, are again illustrated and listed on the pages 26-29 so that the parts numbers of relating other organization parts for repair or conversion may be obtained.

If the parts are used exclusively for certain models only, such machine models are specified in the column "Name" listed on Page 3 to 23. And the exclusive parts for model DC-MS205D, 220D, 230D and 250D only are shown on Pages 24 to 25.

At the back of this list will be found a numerical index of all the parts shown in this list. This will facilitate locating the illustration and descriptions when only the parts number is known.

In ordering parts from this list, USE ONLY the PARTS NUMBER in the second column. Reference number should never be used in ordering parts.

This Parts List applies to the machines manufactured in August, 1971.

部品表御利用に際して

本パーツ・リストは、DC-MS230型ミシンを基に、DC-MSシリーズ・ミシンの修理用部品を容易にご利用戴けるよう編集されています。

機構別に各頁に収録され、部品図解頁の反対頁には参照番号、部品番号、名称、使用数量の順で記載されています。

部品番号の左に*印の付された部品は、複数の部品が組合された部品の一部品で個々に販売はしていません。ご購入の際はこれらの部品が組合された部品をご注文下さい。(例：3頁、*202075A、クランクシャフト・*200605、クランクシャフト油受リングが組合されて、参照番号7、202074、クランクシャフト(組)・となっています。)

印の付された部品はゲージ・パーツです。ゲージ・パーツは26頁～27頁に図解を、28頁～29頁に機種別、用途別(使用糸別)に該当ゲージ・パーツの一覧表を記載していますので、この一覧表を参照して下さい。(例：5頁、参照番号31、部品番号200711針棒)

本パーツ・リストの3頁～23頁にわたって、名称欄に使用機種名を指定しています部品は、指定された機種のみで使用される部品であります。したがって使用機種名を指定していない部品は、全機種に共用できます。DC-MS205D, 220D, 230D, 250D形ミシンの専用部品は24頁～25頁に記載していますので参照して下さい。

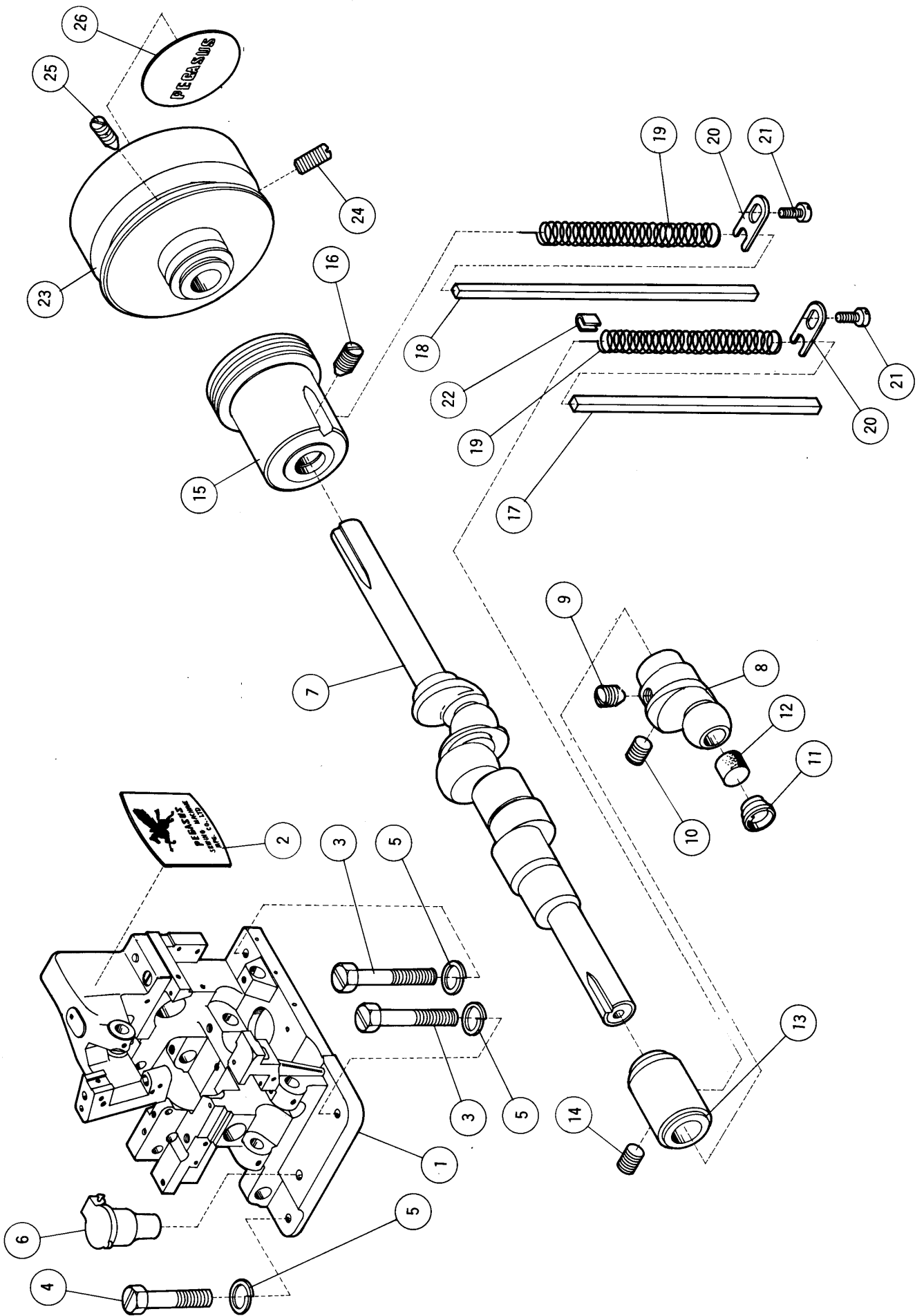
本パーツ・リストの32頁～33頁には部品番号索引表を付し、部品番号のみでその図解、名称などが容易に引き出せます。

本パーツ・リストに基き部品ご注文の際、参照番号は絶対に使用されず、部品番号のみを明示して下さい。

本パーツ・リストは1971年8月現在製造中のミシンをもとに作成されています。

CONTENTS

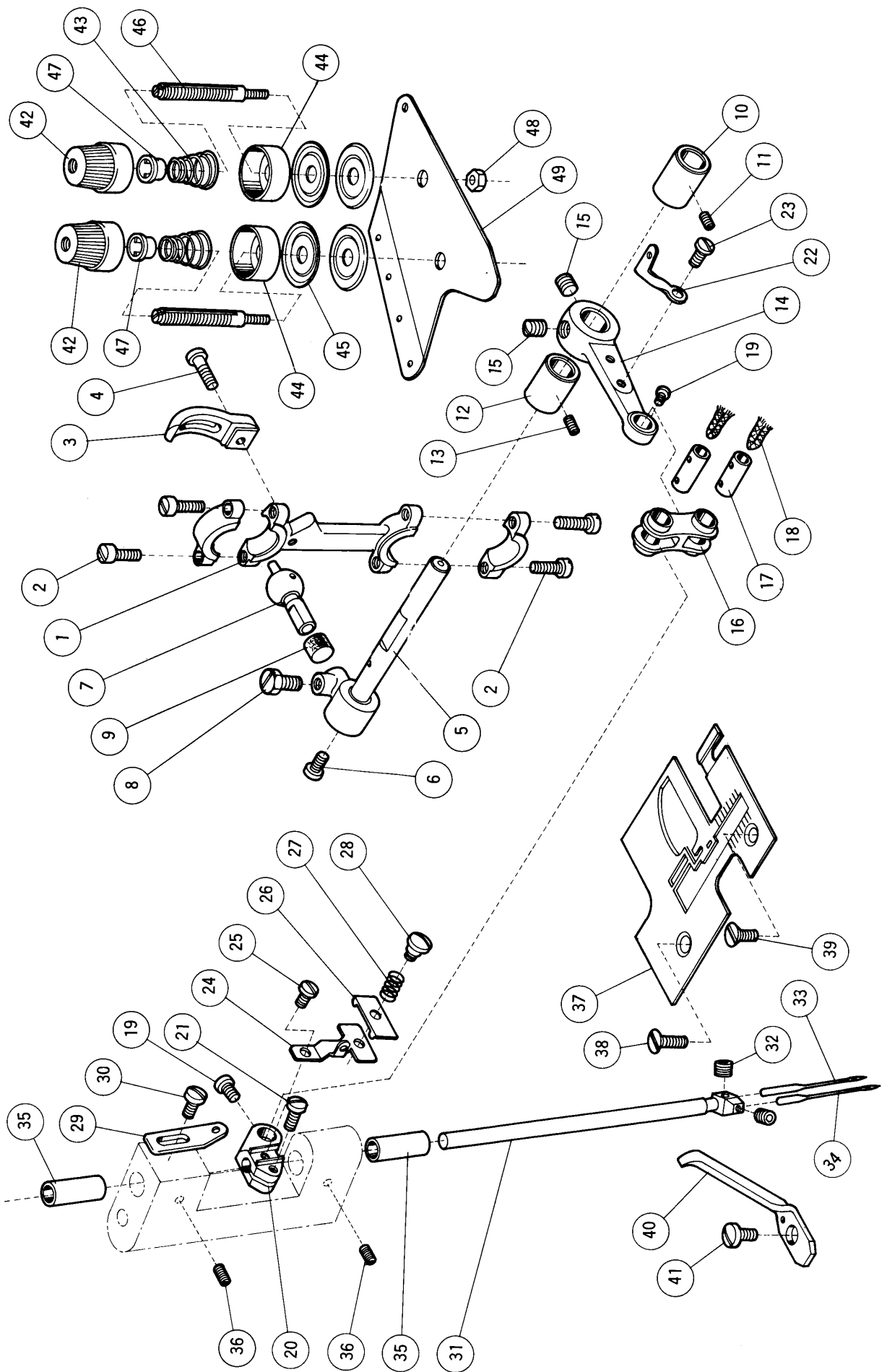
	目次	PAGE 頁
ARM-BED & CRANKSHAFT MECHANISM	アーム・ベッド、主軸機構.....	2 ~ 3
NEEDLE DRIVE MECHANISM	針棒機構.....	4 ~ 5
RIGHT & LEFT LOOPER DRIVE MECHANISM	大・小ルーパー機構.....	6 ~ 7
(1) DOUBLE CHAINSTITCH LOOPER DRIVE MECHANISM	二重環ルーパー機構(1).....	8 ~ 9
(2) DOUBLE CHAINSTITCH LOOPER DRIVE MECHANISM	二重環ルーパー機構(2).....	10 ~ 11
FEED MECHANISM	送り機構.....	12 ~ 13
PRESSER FOOT & LIFT MECHANISM	押工機構.....	14 ~ 15
UPPER & LOWER KNIFE MECHANISM	上・下メス機構.....	14 ~ 15
(1) PUMP LUBRICATING MECHANISM	給油機構(1).....	16 ~ 17
(2) PUMP LUBRICATING MECHANISM	給油機構(2).....	18 ~ 19
(1) MACHINE FRAME AND MISCELLANEOUS COVERS	カバー・外装機構(1).....	20 ~ 21
(2) MACHINE FRAME AND MISCELLANEOUS COVERS	カバー・外装機構(2).....	22 ~ 23
PARTS FOR MODEL DC-MS205D, 220D, 230D & 250D ONLY	DC-MS205D, 220D, 230D, 250D専用部品	24 ~ 25
LIST OF ORGANIZATION PARTS	ゲージ・パーツ表.....	26 ~ 29
ACCESSORIES	付属品.....	30 ~ 31
NUMERICAL INDEX OF PARTS	部品番号索引.....	32 ~ 33



ARM-BED & CRANKSHAFT MECHANISM

アーム・ベッド、主軸機構

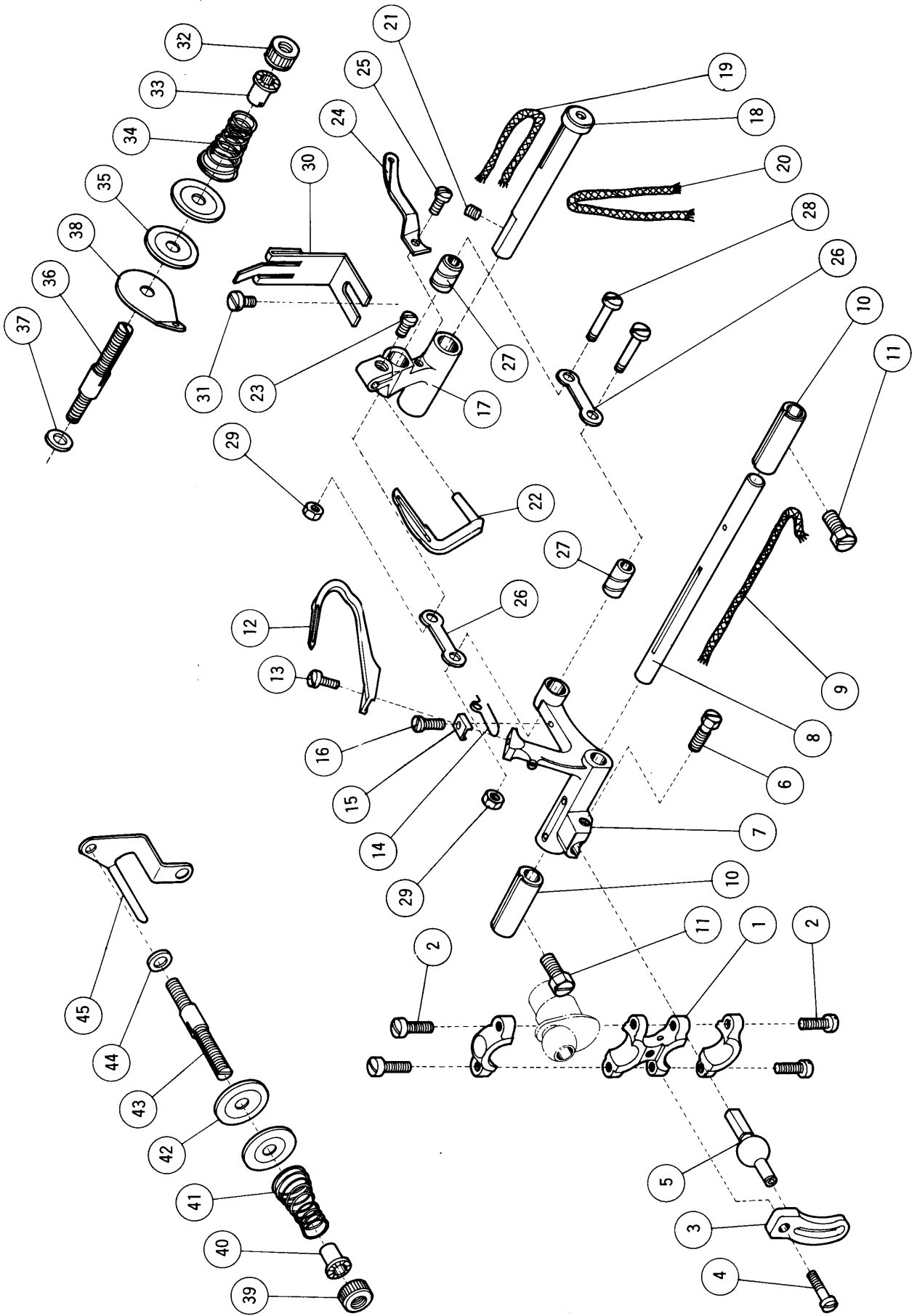
Ref. No. 参照番号	Parts No. 部品番号	Name	名 称	Qt. 数量
1	202070	Machine arm-bed, complete with 202001, 202071, 1936x2 & 13795x2. (DC-MS205M, 220, 230 & 250 only)	アーム・ベッド(組)202001, 202071, 1936×2, 13795×2トノ組 (DC-MS205, 220, 230, 250用)	1
	*202001	Machine arm	アーム	1
	*202071	Machine bed	ベッド	1
	1936	Machine arm-bed screw	アーム・ベッド締付ネジ	2
	137950	" " hinge pin	" " テーパーピン	2
2	202046	Brand plate	銘板	1
3	5132	Machine bed bolt (long)	ベッド取付ボルト(長)	2
4	5133	" " " (short)	" " (短)	1
5	202051	" " " washer	" " 座金	3
6	200211	Oil filler cup	オイルカップ	1
7	202074	Crankshaft, complete with 202075A & 200605. (DC-MS205, 220, 230 & 250 only)	クランクシャフト(組)202075 A, 200605 ノ組 (DC-MS205, 220, 230, 250用)	1
	*202075A	Crankshaft	クランクシャフト	1
	*200605	" " oil ring	" " 油受リング	1
8	200703	" " crank	エキセンクランク	1
9	5058	" " position screw	" " 止メジ(先有)	1
10	2913-1	" " screw	" " (先無)	1
11	200607	" " oil plug	" " 油栓	1
12	200389	" " wick	" " 給油フェルト	1
13	200707	" bushing (DC-MS205, 220, 230 & 250 only)	小ブッシュ (DC-MS205, 220, 230, 250用)	1
14	2022-3	" " screw	" " 止ネジ	1
15	202006	" flanged bushing	大ブッシュ	1
16	2368	" " " screw	" " 止ネジ	1
17	200633	" bushing oil wick	小ブッシュ給油フェルト	1
18	202024	" flanged bushing oil wick	大ブッシュ給油フェルト	1
19	202025	" bushing and flanged bushing oil wick spring	大、小ブッシュ給油フェルト押エバネ	2
20	202026	" " " flanged bushing oil wick spring clamp	" " " " " 止板	2
21	4009-1	" " " flanged bushing oil wick spring clamp screw	" " " " " 止ネジ	2
22	200664	" " " oil wick clamp	小ブッシュ給油フェルト調節金	1
23	202007	Pulley	プーリー	1
24	5051	" screw	" 止ネジ(先無)	1
25	5052	" position screw	" " (先有)	1
26	202019	" name plate	" 銘板	1



NEEDLE DRIVE MECHANISM

針 棒 機 構

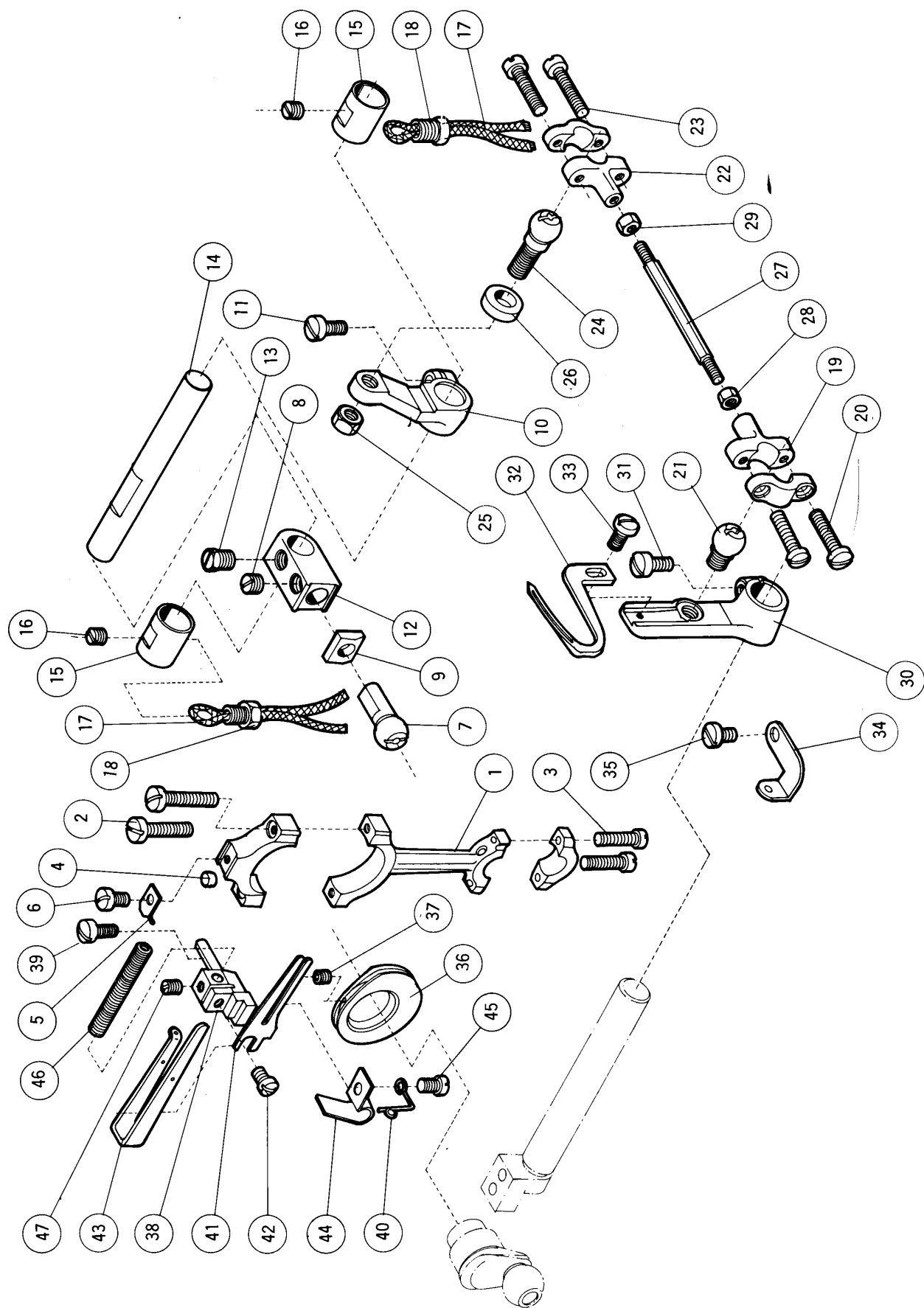
Ref. No. 参照番号	Parts No. 部品番号	Name	名称	Qt. 数量
1	200034	Needle bar connection, complete with 200033 & 2213x4	大ロッド(組)200033,2213-1×4 トノ組	1
	200033	" " connection	〃	1
2	2213-1	" " " cap screw	〃 蓋止ネジ	4
3	137130	" " " guide	〃 振り止メ	1
4	5010	" " " " screw	〃 〃 止ネジ	1
5	200534	" " drive crankshaft	針棒クランク軸	1
6	1234	" " " " plug screw	〃 〃 蓋ネジ	1
7	200265	" " " " ball stud	針棒後クランク球	1
8	2022-4	" " " " " " screw	〃 止ネジ	1
9	200389	" " " " " " oil wick	〃 給油フェルト	1
10	200037	" " " " " bushing (front)	針棒クランク軸ブッシュ前	1
11	1457	" " " " " " " screw	〃 〃 〃 止ネジ	1
12	202010	" " " " " " (rear)	〃 〃 〃 後	1
13	1457	" " " " " " " screw	〃 〃 〃 止ネジ	1
14	200652	" " " " crank	針棒前クランク	1
15	2022	" " " " " screw	〃 止ネジ	2
16	200653	" " connecting link	針棒リンク	1
17	200654	" " " " " pin	〃 ピン	2
18	202177	" " " " " " oil wick	〃 〃 給油紐	2
19	1222	" " " " " " screw	〃 〃 止ネジ	2
20	200655	" " " " " bracket	針棒抱キ	1
21	1170-3	" " " " " " screw	〃 止ネジ	1
22	200531	" thread take-up	上糸振り糸道	1
23	1196	" " " " " screw	〃 止ネジ	1
24	200709	" " " " " " retainer bracket	小調子台	1
25	1186	" " " " " " screw	〃 止ネジ	1
26	192070	" " " " " " guide	小調子皿	1
27	70-1	" " " " " " spring	小調子バネ	1
28	9070-2	" " " " " " " screw	〃 止ネジ	1
29	137101	" " " " " " eyelet	上糸道	1
30	1216	" " " " " " screw	〃 止ネジ	1
31	**200711	" bar, complete with 141122, 200713 & 5292x2 (DC-MS230 & 230D only)	針棒(組)141122,200713,5292×2 ノ組 (DC-MS230,230D用)	1
	*141122	" bar	針棒	1
	*200713	" clamp	針株	1
32	5292	" " " screw	針止ネジ	2
33	DC×1	Needle for overlock stitch or right needle	針	1
34	DM×13	" for double chain stitch or left needle	〃	1
35	137123	" bar bushing	針棒ブッシュ	2
36	1457	" " " " " screw	〃 止ネジ	2
37	**200715A	" plate	針板(DC-MS230用,(カタン糸用))	1
38	1732	" " " " " " screw (long)	〃 止ネジ(長)	1
39	5061	" " " " " " (short)	〃 〃 (短)	1
40	200716	" guard	針受	1
41	1202	" " " " " " screw	〃 止ネジ	1
42	201035A	" thread tension nut	針糸調子ナット	2
43	201037	" " " " " " spring	〃 バネ	2
44	201039	" " " " " " cup	〃 〃 受皿	2
45	101111	" " " " " " disc	〃 皿	4
46	1817-2A	" " " " " " post	〃 棒	2
47	202278	" " " " " " spring bushing	〃 〃 ナット止パイプ	2
48	3044	" " " " " " post nut	〃 〃 ナット	1
49	141105	" " " " " " guide	上糸調子台	1



RIGHT & LEFT LOOPER DRIVE MECHANISM

大・小 ルーパ ー 機 構

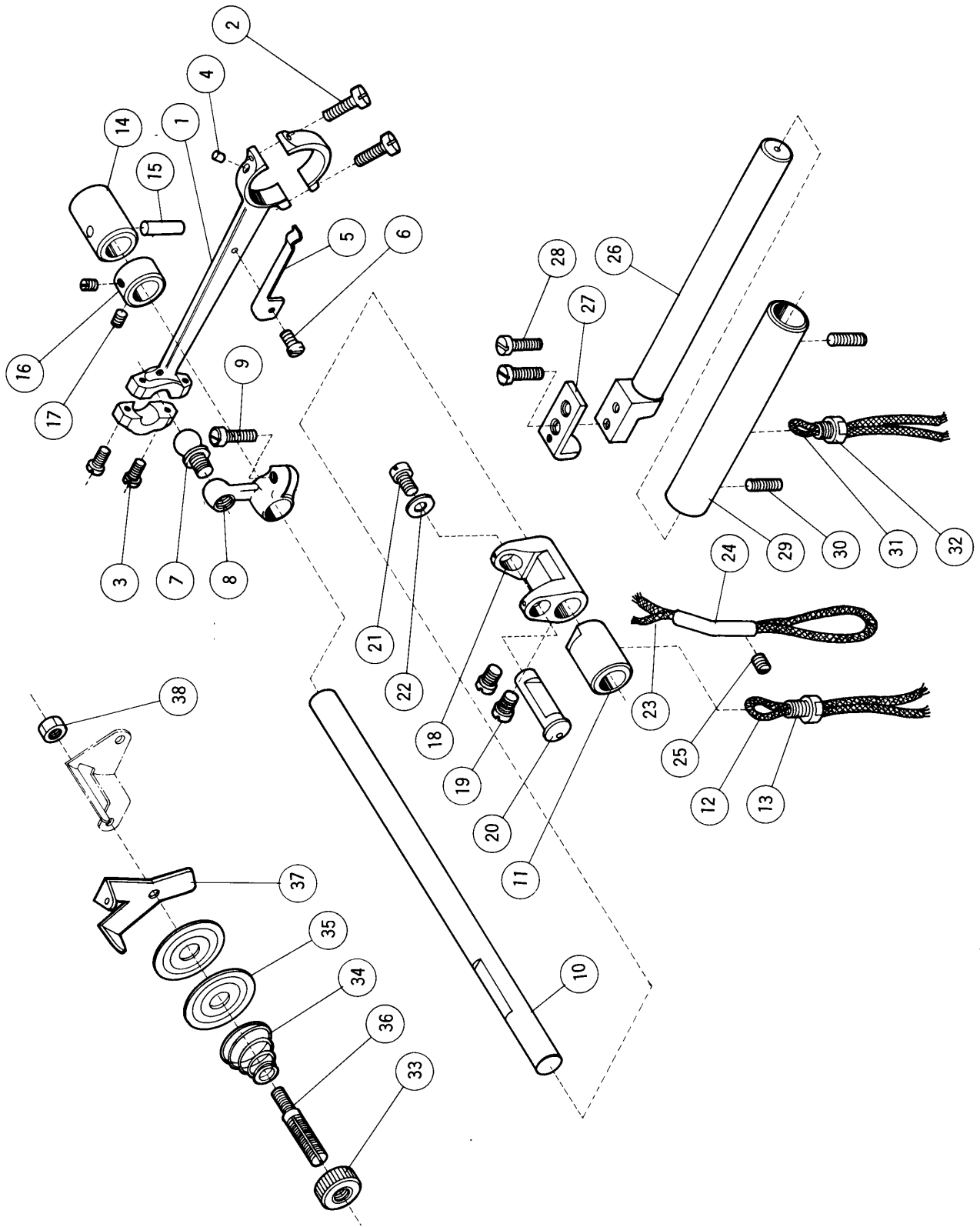
Ref. No.	Parts No.	Name	名 称	Qt.
参照番号	部品番号			数量
1	200618	Right looper drive connection	小ロッド	1
2	2213-1	" " " " cap screw	〃 蓋止ネジ	4
3	137130	" " " " guide	〃 振り止メ	1
4	5010	" " " " " screw	〃 〃 止ネジ	1
5	137121	" " " " ball stud	〃 球	1
6	2022-4	" " " " " " screw	〃 〃 止ネジ	1
7	202135	" " lever	大ルーパ ー台	1
8	200620	" " shaft	〃 ピン	1
9	202176	" " " " oil wick	〃 〃 給油紐	1
10	137409	" " " " bushing	割ブッシュ	2
11	2022-4	" " " " " " screw	〃 止ネジ	2
12	**137301	" looper	大ルーパ ー	1
13	1196	" " screw	〃 止ネジ	1
14	137307 A	Left looper thread eyelet	大ルーパ ー台糸道	1
15	200947	" " " " clamp	〃 板金	1
16	2922	" " " " screw	〃 止ネジ	1
17	200624	" " lever	小ルーパ ー台	1
18	200625	" " shaft	〃 ピン	1
19	202176	" " " " oil wick	〃 〃 給油紐	1
20	202179	" " " " " wick	〃 〃 給油紐	1
21	2022-3	" " " " screw	〃 〃 止ネジ	1
22	**137302	" looper	小ルーパ ー	1
23	5053	" " screw	〃 止ネジ	1
24	200717	Right looper thread take-up	大ルーパ ー糸道	1
25	1196	" " " " screw	〃 止ネジ	1
26	200621A	Looper connecting link	ルーパ ーリンク	2
27	200622 A	" " " " bushing	〃 ブッシュ	2
28	200623 A	" " " " screw	〃 締付ネジ	2
29	3044	" " " " " " nut	〃 〃 ナット	2
30	137104	Right looper thread staple	三又糸道	1
31	1216	" " " " screw	〃 止ネジ	1
32	3056	" " " " tension nut	前糸調子ナット	1
33	101113	" " " " spring bushing	〃 〃 止パイプ	1
34	137115	" " " " spring	〃 バネ	1
35	101111	" " " " disc	〃 皿	2
36	1817-2A	" " " " post	〃 棒	1
37	137142	" " " " " washer	〃 〃 座金	1
38	137106	" " " " guide	〃 台	1
39	3056	Left looper thread tension nut	裏糸調子ナット	1
40	101113	" " " " spring bushing	〃 〃 止パイプ	1
41	137114	" " " " spring	〃 バネ	1
42	101111	" " " " disc	〃 皿	2
43	1817-2A	" " " " post	〃 棒	1
44	137142	" " " " " washer	〃 〃 座金	1
45	200718	" " " " guide	〃 台	1



(1) DOUBLE CHAINSTITCH LOOPER DRIVE MECHANISM

二重環ルーパー機構 (1)

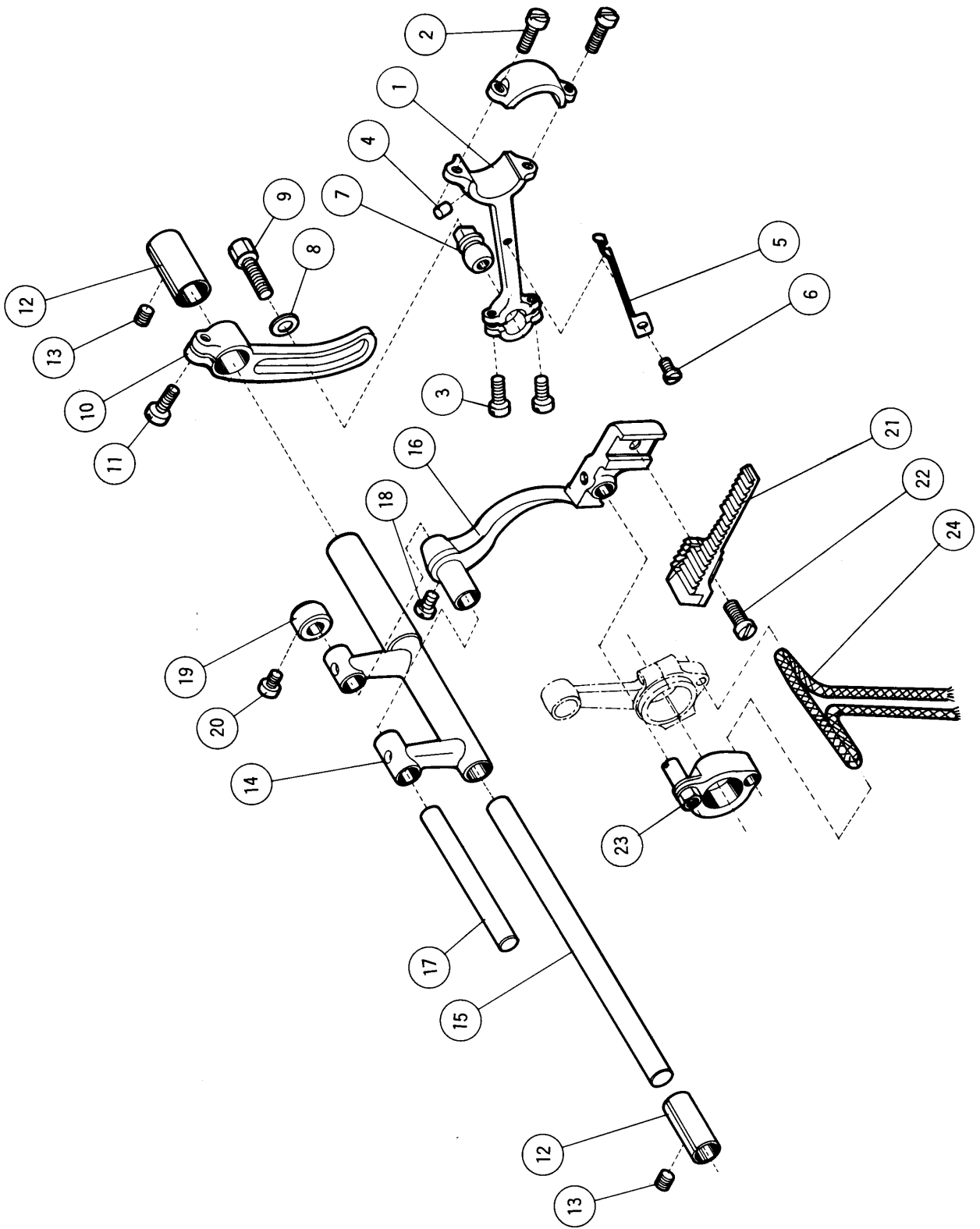
Ref. No.	Parts No.	Name	名称	Qt.
参照番号	部品番号			数量
	202076	Looper drive connection, complete with 202077A, 2213-1x2 & 1170x2	二重環ルーパー振り大ロッド(組)202077 A, 2213-1×2, 1170×2 ノ組	1
1	202077 A	" " connection	" "	1
2	2213-1	" " " cap screw (large)	" " 蓋止ネジ(大)	2
3	1170	" " " " " (small)	" " (小)	2
4	202081	" " " oil wick	" " 給油フェルト	1
5	202083 A	" " " " " spring	" " 給油紐押エバネ	1
6	1216	" " " " " " screw	" " " " 止ネジ	1
7	200756	" " " ball stud	" " 球(小)	1
8	2022	" " " " " screw	" " " 止ネジ	1
9	200757	" " " " " guide	" " 振り止メファイバー	1
10	200758	" " crank (front)	二重環ルーパー振りクランク(前)	1
11	1156	" " " " " screw	" " " 止ネジ	1
12	200759	" " " " (rear)	" " (後)	1
13	2022-4	" " " " " screw	" " " 止ネジ	1
14	200760	" " " " shaft	二重環ルーパー振りクランク軸	1
15	200761	" " " " " bushing	" " ブッシュ	2
16	2022	" " " " " " screw	" " " 止ネジ	2
17	202176	" " " " " " oil wick	" " " 給油紐	2
18	200742	" " " " " " " " " screw	" " " " " 止ネジ	2
19	202138	" " connecting rod end (left), complete with 1174x2	二重環ルーパー振り小ロッド(左)1174×2 トノ組	1
20	1174	" " " " " " " cap screw	" " " 蓋止ネジ	2
21	200401	" " " " " " " ball stud	" " " 球(左)	1
22	200396	" " " " " " (right), complete with 1174x2	" " (右)1174×2 トノ組	1
23	1174	" " " " " " " cap screw	" " " 蓋止ネジ	2
24	200400	" " " " " " " ball stud	" " " 球(右)	1
25	3018	" " " " " " " " " nut	" " " " 止ナット	1
26	200398	" " " " " " " guide	" " " 振り止メ	1
27	200767	" " " " " " " rod	二重環ルーパー連結棒	1
28	3091	" " " " " " " nut (left)	" " ナット(左)	1
29	3092	" " " " " " " (right)	" " " (右)	1
30	200782	" " lever	二重環ルーパー台	1
31	5064	" " " " " " " clamp screw	" " 止ネジ	1
32	**200785	Looper	二重環ルーパー	1
33	1202	" " screw	" " 止ネジ	1
34	202136	" " thread eyelet	" " 糸道	1
35	1202	" " " " " " " screw	" " " 止ネジ	1
36	200799 B	" " " " " " " take-up	下糸調節器	1
37	5292	" " " " " " " screw	" " 止ネジ	1
38	200787 A	" " " " " " " cast-off bracket	下糸調節台	1
39	5064	" " " " " " " " screw	" " 止ネジ	1
40	202137	" " " " " " " guide	" " 糸道	1
41	200798 B	" " " " " " " cast-off	下糸サバキ	1
42	1234	" " " " " " " screw	" " 止ネジ	1
43	200795 A	" " " " " " " staple	二又糸道	1
44	200793	" " " " " " " lock spring	" " 押エバネ	1
45	1202	" " " " " " " " screw	" " " 止ネジ	1
46	200719	" " " " " " " guide tube	糸道パイプ	1
47	1457-1	" " " " " " " " screw	" " 止ネジ	1



(2) DOUBLE CHAINSTITCH LOOPER DRIVE MECHANISM

二重環ルーパ－機構 (2)

Ref. No.	Parts No.	Name	名称	Qt.
参照番号	部品番号			数量
1	200768	Looper avoiding connection, complete with 5002x2 & 2918x2.	二重環ルーパ－前後ロッド(組)5002×2, 2918×2 トノ組	1
2	5002	" " " cap screw (large)	〃 〃 蓋止ネジ(大)	2
3	2918	" " " " " (small)	〃 〃 〃 (小)	2
4	202047	" " " oil wick	〃 〃 給油フェルト	1
5	200737	" " " " " spring	〃 〃 給油紐押エバネ	1
6	1186	" " " " " " screw	〃 〃 〃 〃 止メジ	1
7	200770	" " " ball stud	〃 〃 球	1
8	200771	" " " crank	二重環ルーパ－前後振りクランク	1
9	5002	" " " clamp screw	〃 〃 〃 止ネジ	1
10	200772	" " " shaft	二重環ルーパ－前後振りシャフト	1
11	200773	" " " bushing (left)	〃 〃 ブッシュ(左)	1
12	202176	" " " " " oil wick	〃 〃 〃 給油紐	1
13	200742	" " " " " " " screw	〃 〃 〃 止ネジ	1
14	200773	" " " " " (right)	〃 〃 〃 (右)	1
15	200741	" " " " " oil wick	〃 〃 〃 給油フェルト	1
16	200775	" " " collar	〃 〃 カラー	1
17	1457-1	" " " " " screw	〃 〃 〃 止ネジ	2
18	200776	" " " link	二重環ルーパ－前後振りリンク	1
19	2237	" " " screw	〃 〃 止ネジ	2
20	200777	" " " pin	〃 〃 ピン	1
21	1196	" " " " " plug screw	〃 〃 〃 蓋ネジ	1
22	202757	" " " " " thrust washer	〃 〃 〃 スラストワッシャー	1
23	202176	" " " " " oil wick	〃 〃 給油紐	1
24	200632	" " " " " tube	〃 〃 給油管	1
25	1457	" " " " " screw	〃 〃 〃 止ネジ	1
26	200779	" " " lever shaft	二重環ルーパ－台シャフト	1
27	200780	" " " " " guide	〃 〃 L形	1
28	1175-3	" " " " " screw	〃 〃 〃 止ネジ	2
29	200781	" " " " " bushing	〃 〃 ブッシュ	1
30	1435	" " " " " screw	〃 〃 〃 止ネジ	2
31	202176	" " " " " oil wick	〃 〃 〃 給油紐	1
32	200742	" " " " " " " screw	〃 〃 〃 止ネジ	1
33	3056	" " " thread tension nut	下糸調子ナット	1
34	167077	" " " " " spring	〃 バネ	1
35	101111	" " " " " disc	〃 皿	2
36	167072	" " " " " post	〃 棒	1
37	200204	" " " " " guide	〃 台	1
38	3044	" " " " " post nut	〃 棒取付ナット	1

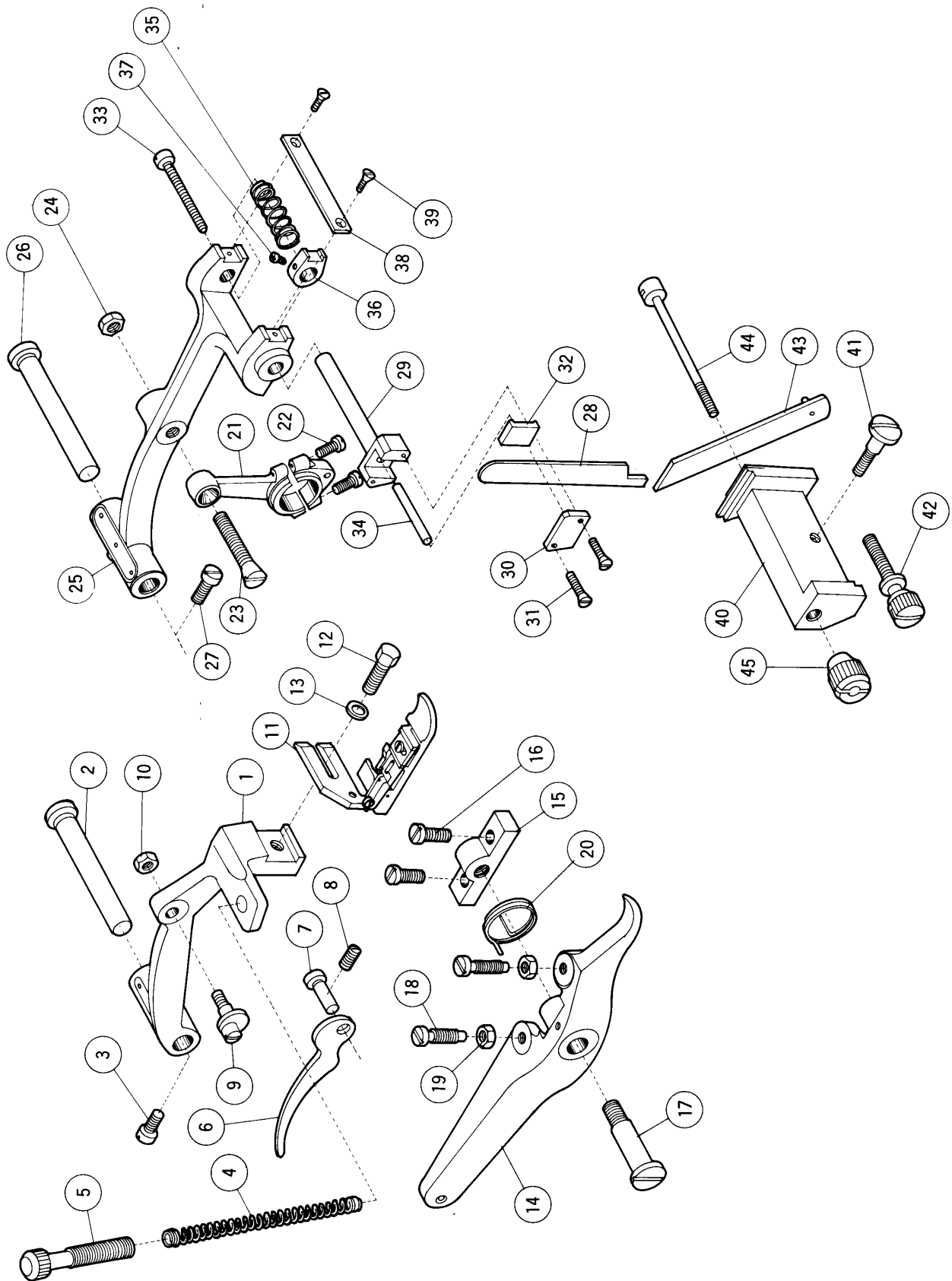


FEED MECHANISM

送 り 機 構

Ref. No. 参照番号	Parts No. 部品番号	Name	名 称	Qt. 数量
1	200503	Feed drive connection, complete with 5002x2 & 5003x2	送り前後ロッド(組) 5002×2, 5003×2 トノ組	1
2	5002	" " " cap screw (large)	〃 蓋止ネジ(大)	2
3	5003	" " " " (small)	〃 〃 (小)	2
4	202047	" " " oil wick	〃 給油フェルト	1
5	200737	" " " " " spring	〃 給油紐押エバネ	1
6	1186	" " " " " " screw	〃 〃 〃 止ネジ	1
7	137419	" " " ball stud	〃 球	1
8	137142	" " " " " washer	〃 〃座金	1
9	5001	" " " " " screw	〃 〃止ネジ	1
10	200322	" regulating segment	送り調節器	1
11	1156	" " " clamp sprew	〃 抱締ネジ	1
12	137409	" rocker pin bushing (One piece only requires for DC-MS205D, 220D, 230D & 250D)	割ブッシュ (DC-MS205D, 220D, 230D, 250Dハ所要数1ケ)	2
13	2022-3	" " " " " screw	〃 止ネジ	2
14	140402	" rocker	送りロックシャフト	1
15	137417	" " " pin	送り台シャフト	1
16	202088	" bar	送りに取付台	1
17	137442	" " " hinge pin	〃 ピン	1
18	2237	" " " " " screw	〃 〃 止ネジ	1
19	137442-1	" " " " " collar	〃 〃 カラー	DC-MS205, 1
20	5053	" " " " " " screw	〃 〃 〃 止ネジ	220, 230, 1 250用
21	* *200723A	" dog	送り歯	1
22	1175-2	" " " screw	〃 止ネジ	1
23	200627	" lift connection, complete with 200628 & 200629	送り上下ダルマ(組) 200628, 200629トノ組	1
	*200628	" " " " " screw	〃 芯ネジ	1
	*200629	" " " " " nut	〃 〃 ナット	1
24	202176	" " " " oil wick (also used for upper knif drive connection)	〃 給油紐 (上メスロッド共用)	1

★ The parts, whose reference numbers are 14 to 24, are used only for model DC-MS205, 220, 230 & 250.



PRESSER FOOT & LIFT MECHANISM

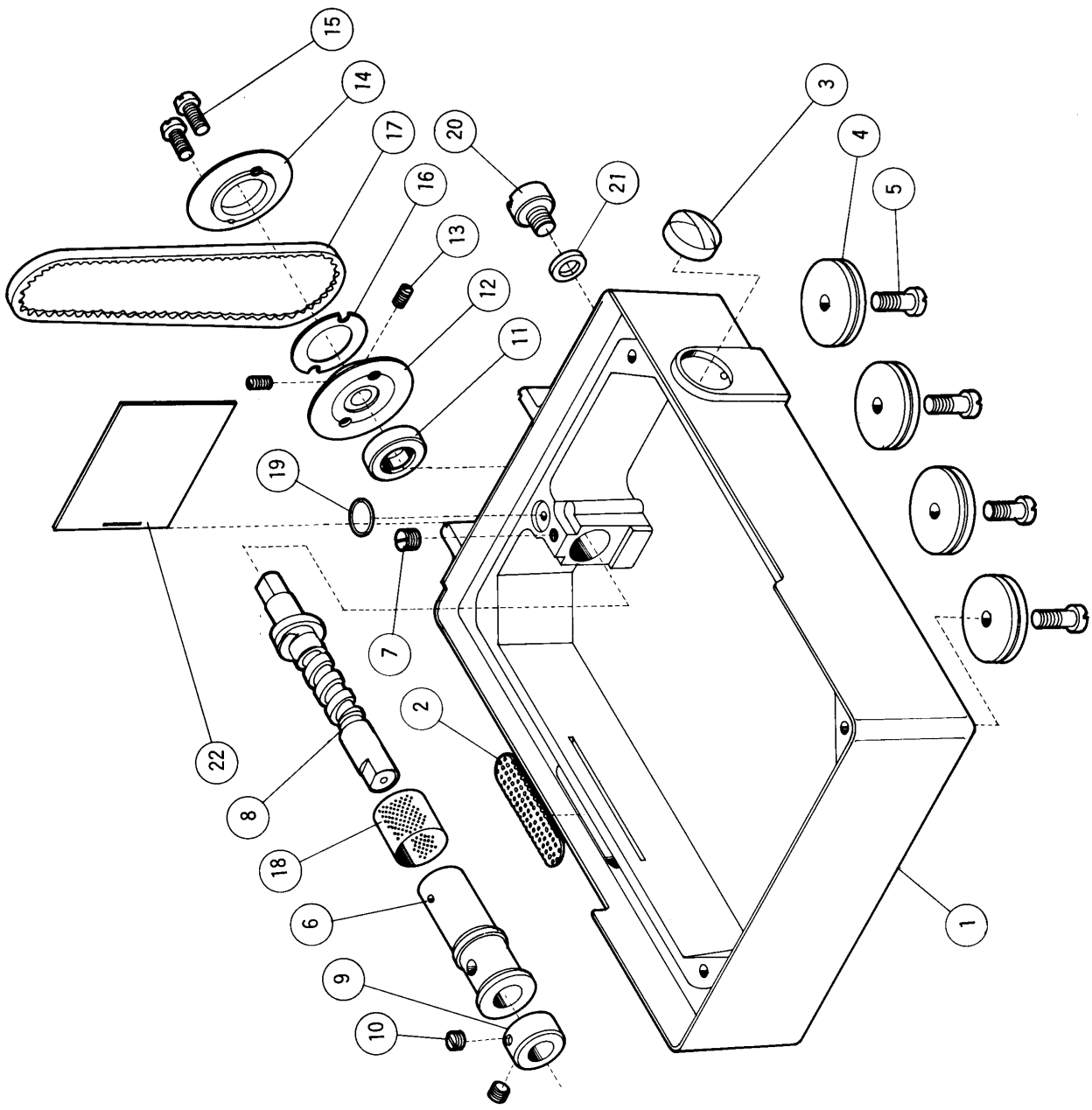
押 工 機 構

Ref. No. 参照番号	Parts No. 部品番号	Name	名 称	Qt. 数量
1	137140	Presser arm (DC-MS205, 220, 230 & 250 only)	押エ台 (DC-MS 205, 220, 230, 250用)	1
2	137552	" " pivot stud	〃 ピン	1
3	2213	" " " " screw	〃 〃 止ネジ	1
4	137141	" spring	〃 バネ	1
5	2371	" " regulating thumb screw	〃 〃 調節ネジ	1
6	137143	Hand lift lever	押エ手揚ゲ	1
7	5056	" " " pin	〃 ピン	1
8	1458	" " " " screw	〃 〃 止ネジ	1
9	2370	" " " eccentric screw	〃 エキセンネジ	1
10	3044	" " " " " nut	〃 〃 ナット	1
11	**200731	Presser foot, complete	押エ(組)	1
12	2308	" " screw	〃 止ネジ	1
13	137142	" " " washer	〃 〃 座金	1
14	137146	Foot lift lever	押エ足揚ゲ	1
15	137145A	" " " bracket	〃 台	1
16	2213	" " " " screw	〃 〃 止ネジ	2
17	2285	" " " pivot stud	〃 取付ネジ	1
18	2133	" " " adjust screw	〃 調節ネジ	2
19	3044	" " " " " nut	〃 〃 ナット	2
20	137147	" " " spring	〃 バネ	1

UPPER & LOWER KNIFE MECHANISM

上・下 メ ス 機 構

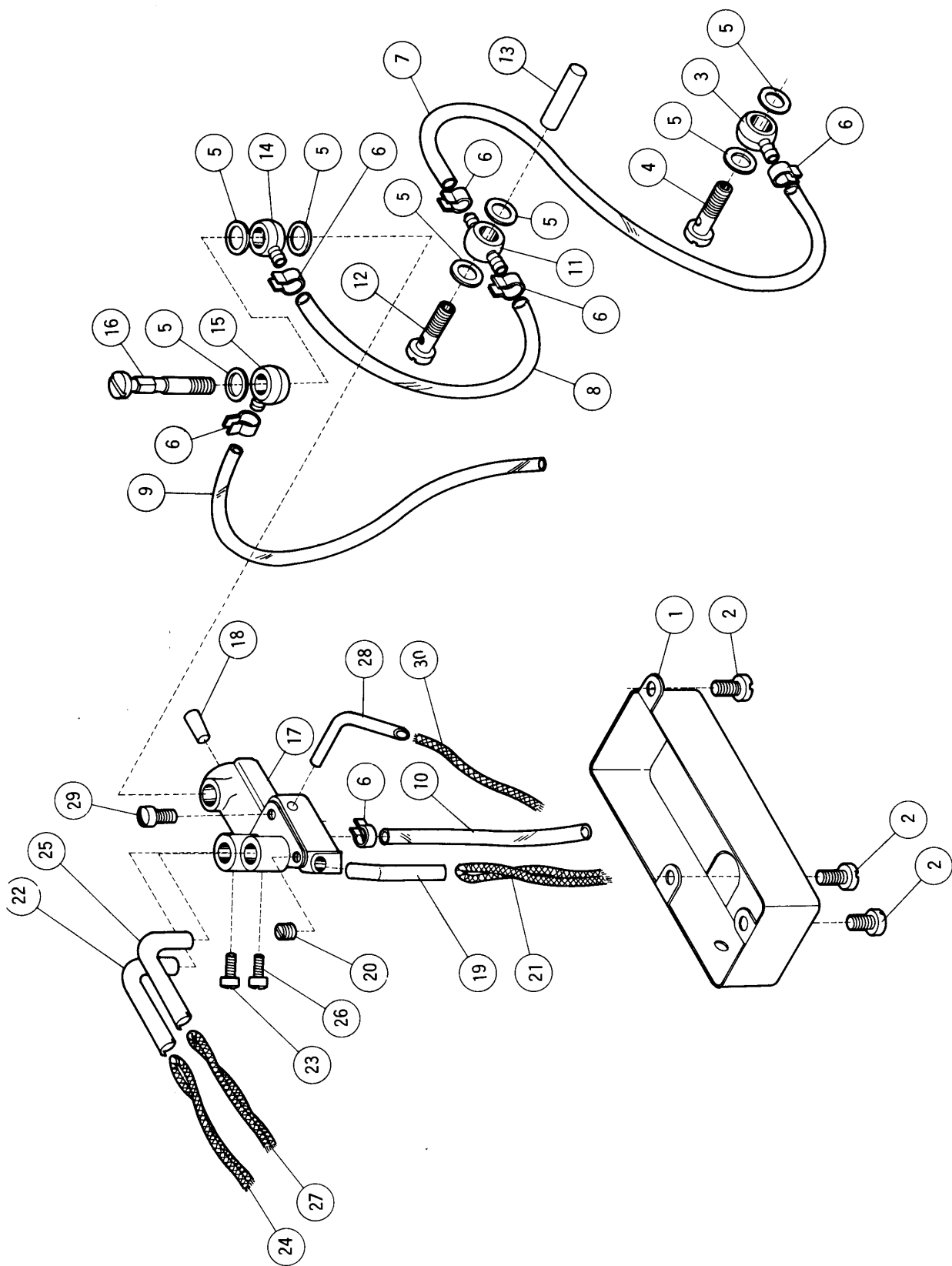
21	200631	Upper knife drive connection, complete with 1174x2	上メスロッド(組) 1174×2 トノ組	1
22	1174	" " " " cap screw	〃 蓋止ネジ	2
23	2366-2	" " " " stud	〃 テーパーネジ	1
24	3018	" " " " " nut	〃 〃 ナット	1
25	200725A	" " lever	上メス台	1
26	137552	" " " pin	〃 ピン	1
27	2133-1	" " " " screw	〃 〃 止ネジ	1
28	**138559	" knife	上メス	1
29	138555A	" " carrier	上メス抱キ	1
30	138555-1	" " " cap	〃 蓋	1
31	5224	" " " " screw	〃 〃 止ネジ	2
32	138556	" " clamp	上メス押シ	1
33	1132	" " " screw	〃 ネジ	1
34	137560	" " " pin	〃 ピン	1
35	137558	" " " spring	〃 バネ	1
36	137554	" " guide	上メス案内	1
37	1222	" " " screw	〃 止ネジ	1
38	137553	" " " bar	〃 板	1
39	5259	" " " " screw	〃 〃 止ネジ	2
40	200726	Lower knife carrier	下メス台	1
41	5065	" " " screw	〃 止ネジ	1
42	5070	" " " adjust screw	〃 調節ネジ	1
43	**137562	" knife	下メス	1
44	137563	" " clamp	〃 止ピン	1
45	5069	" " " nut	〃 〃 ナット	1



(1) PUMP LUBRICATING MECHANISM

給油機構 (1)

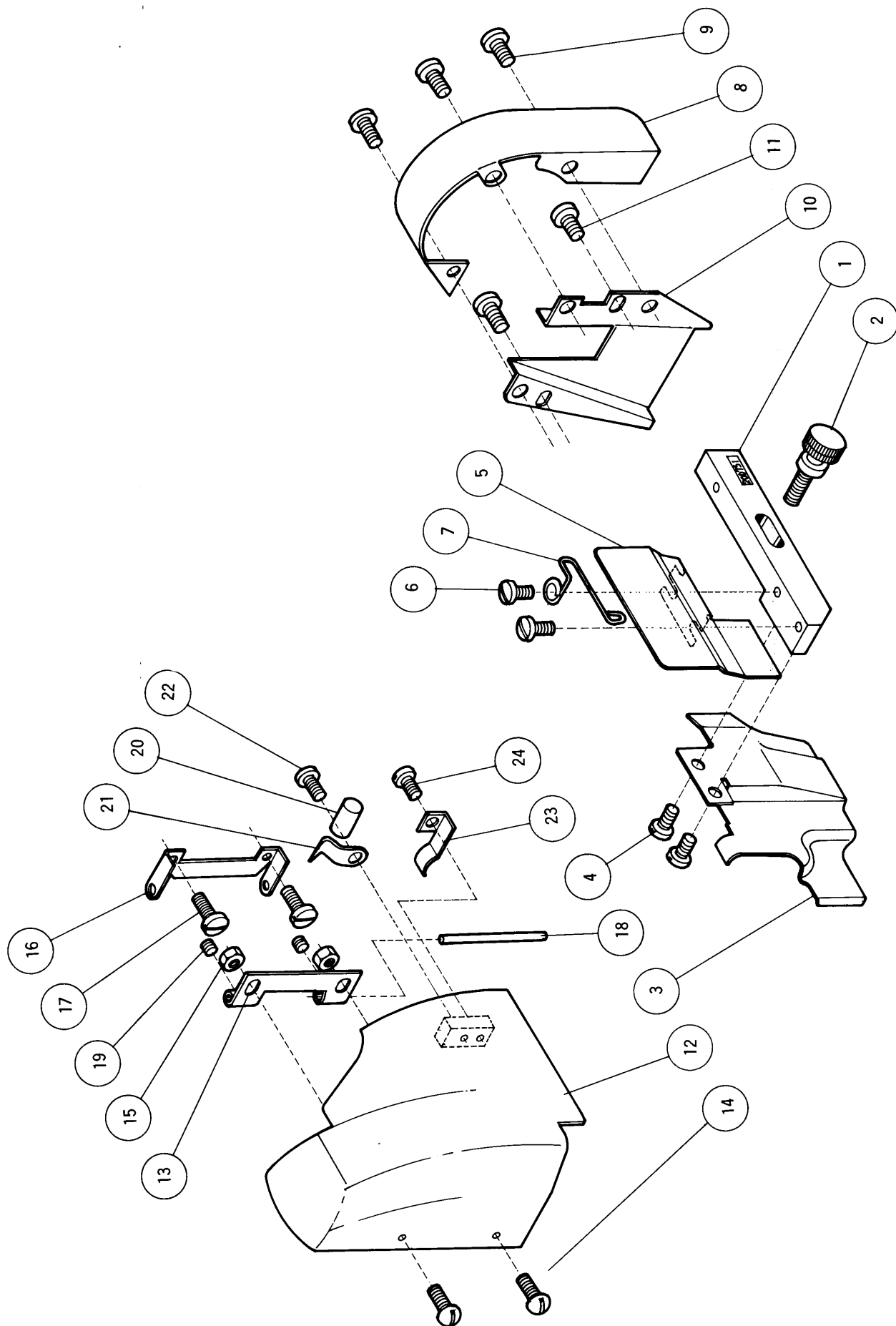
Ref. No.	Parts No.	Name	名称	Qt.
参照番号	部品番号			数量
1	202012	Oil pan, complete with 200119 & 200120	オイルパン(組)200119, 200120トノ組	1
2	200119	" " filter	" 油濾金網	1
3	*200120	" sight gauge	オイルゲージ	1
4	202013	Cushion rubber, complete with 202058	クッションゴム(組)202058トノ組	4
	*202058	" " washer	" 座金	4
5	5134	" " screw	" 止ネジ	4
6	202015	Sleeve	スリーブ	1
7	5060	" screw	" 止ネジ	1
8	202016	Spiral shaft	螺旋軸	1
9	201139	" " thrust collar	" スラストカラー	1
10	1457	" " " " screw	" " 止ネジ	2
11	202017	" " oil seal	オイルシール	1
12	202048	Oil pump pulley (right)	ポンププーリー(A)	1
13	1459	" " " " screw	" " 止ネジ	2
14	202049A	" " " (left)	" " (B)	1
15	5293	" " " " screw	" " 止ネジ	2
16	202066	" " " washer	" " 調節ワッシャー	1
17	202021	" " " belt	ポンプベルト	1
18	202022A	" filter	フィルター	1
19	202023	" pump outlet "O" ring	吐出口Oリング	1
20	5138B	" drain plug screw	排油穴蓋ネジ	1
21	202287A	" " " " washer	" 座金	1
22	202044A	" pan slide plate	オイルパン差板	1



(2) PUMP LUBRICATING MECHANISM

給油機構 (2)

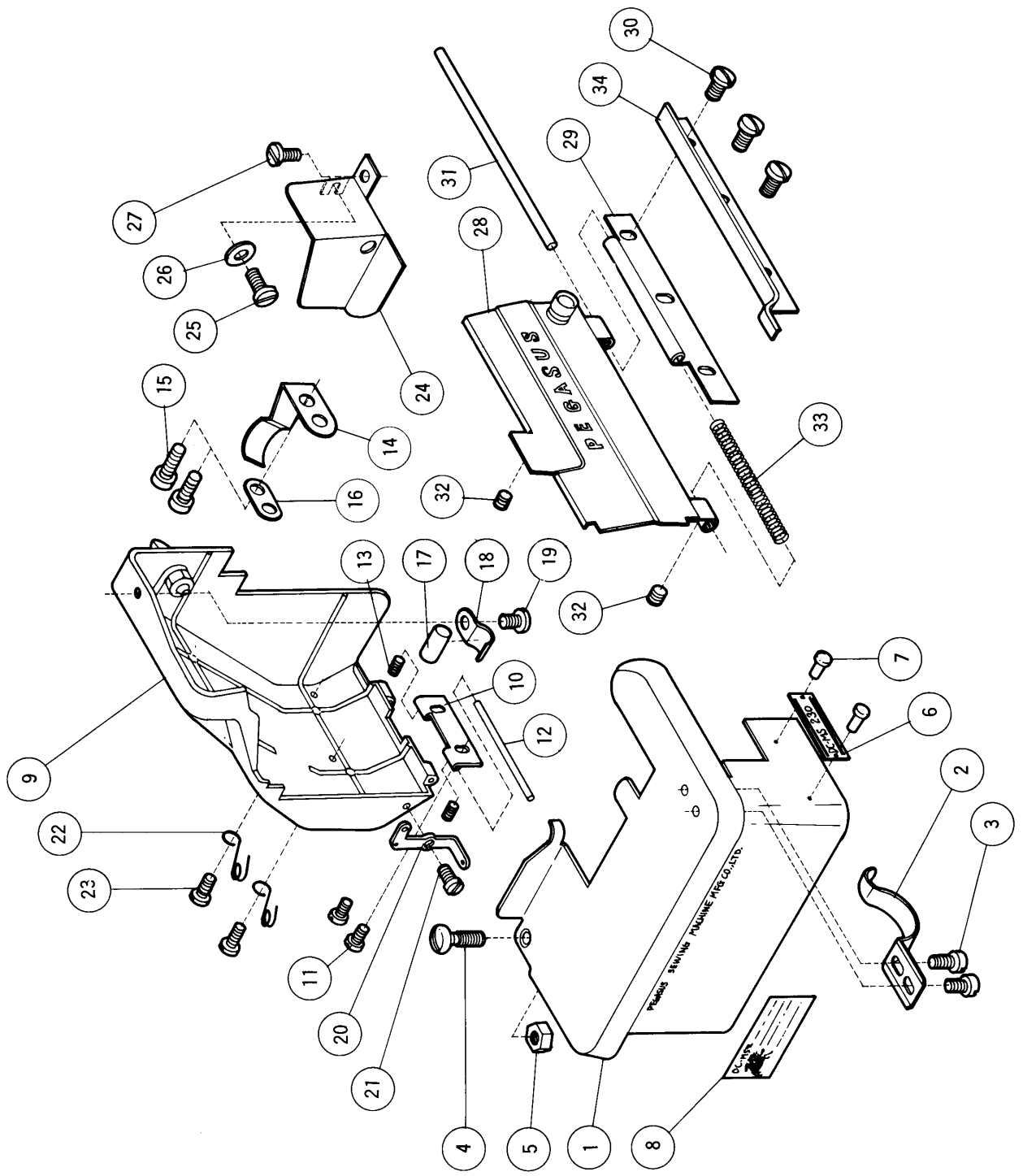
Ref. No. 参照番号	Parts No. 部品番号	Name	名称	Qt. 数量
1	202027	Machine frame bottom cover	底カバー	1
2	4009-1	" " " " screw	" 止ネジ	3
3	200136	Oil vinyl tube joint	ベッド吐出管継手(雌)	1
4	200137	" " " " stud	" (雄)	1
5	200138	" " " washer	給油管継手パッキン	7
6	202199	" " " clamp	ビニールパイプ抱キバネ	6
7	202028	" " tube	上軸給油ビニールパイプ	1
8	200134A	" " tube	油配分器用ビニールパイプ	1
9	200699	" " tube	排油用ビニールパイプ	1
10	200698	" " tube	油配分器排油用ビニールパイプ	1
11	202032	" " " joint	上軸給油管継手(雌)	1
12	200137	" " " " stud	" (雄)	1
13	202033	Needle bar drive crankshaft oil wick	上軸給油フェルト	1
14	200136	Oil vinyl tube joint	油配分器用ビニールパイプ継手(雌)	1
15	200136	" " " joint	排油用ビニールパイプ継手(雌)	1
16	202034	" distributor joint stud	油配分器継手(雄)	1
17	202035A	" distributor	油配分器	1
18	202903	" " plug	" 油栓	1
19	200632	" tube	トリプルエキセン給油管	1
20	5113	" " screw	" " 止ネジ	1
21	202176	Oil wick	" 給油紐	1
22	202040	" tube	送りロックシャフト給油管	1
23	5064	" " screw	" 止ネジ	1
24	202176	" wick	" 給油紐	1
25	202040	" tube	上メス台給油管	1
26	5060	" " screw	" " 止ネジ	1
27	202176	" wick	" 給油紐	1
28	202079	" tube	二重環ルーバー振り大ロッド給油管	1
29	2924	" " screw	" " 止ネジ	1
30	202175	" wick	" 給油紐	1



(1) MACHINE FRAME AND MISCELLANEOUS COVERS

カバ-・外装機構 (1)

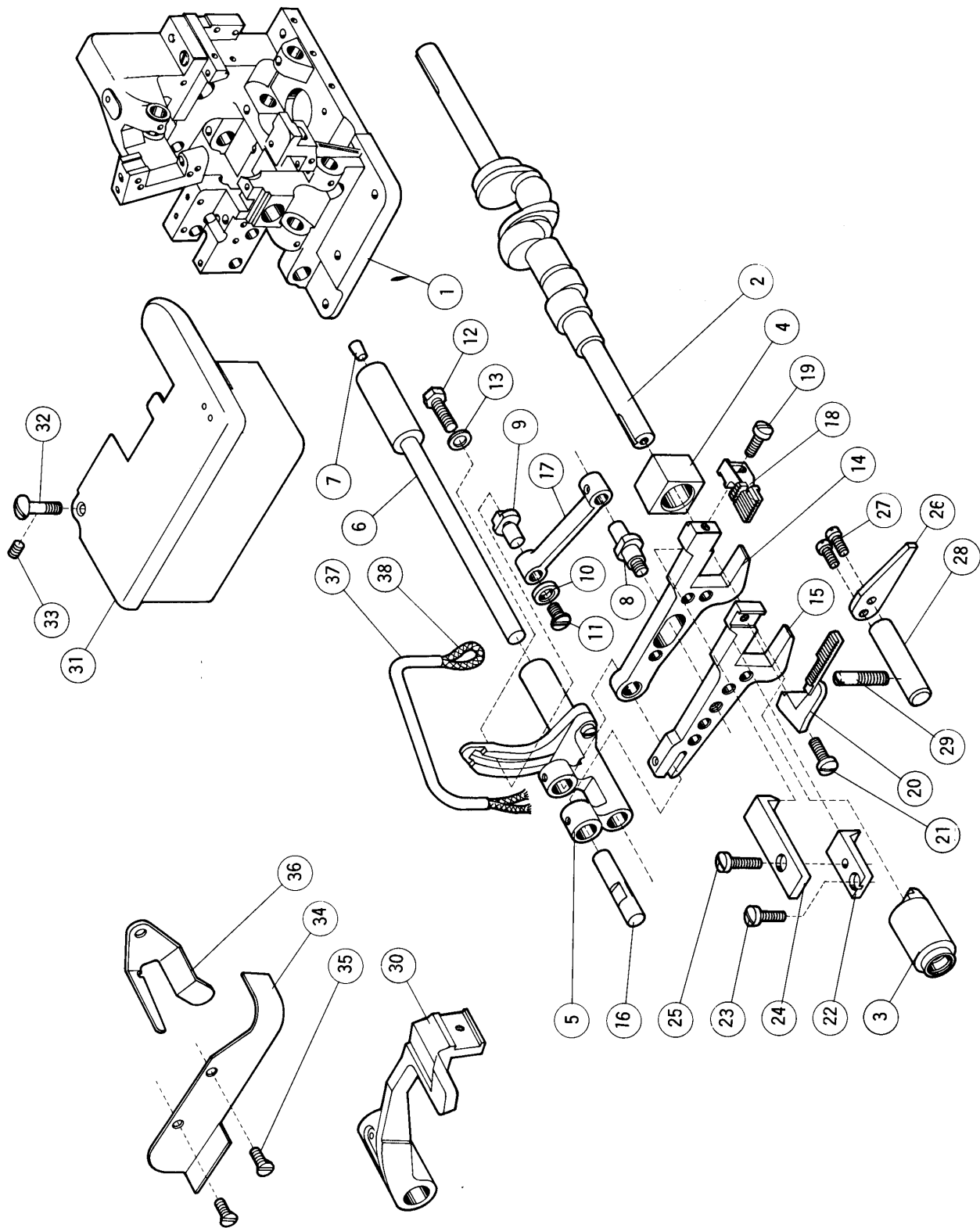
Ref. No.	Parts No.	Name	名称	Qt.
参照番号	部品番号			数量
1	200751	Front cover extension holder	角台	1
2	1281	" " " " screw	止ネジ	1
3	200752	Frame front oil shield	カバー	1
4	1216	" " " " screw	止ネジ	2
5	202087A	Front cover extension	切屑除ケ	1
6	1202	" " " " screw	止ネジ	2
7	200187A	" " lock spring	前カバー止バネ	1
8	202008	Pulley cover	プ-リーカバー	1
9	4009-1	" " " " screw	止ネジ	3
10	202050	Oil pump belt cover	ベルトカバー	1
11	1196	" " " " screw	止ネジ	2
12	200670A	Needle bar cover	上カバー	1
13	200168	" " " " hinge (interior)	ヒンジ(A)	1
14	1326	" " " " " " screw	止ネジ	2
15	3091	" " " " " " " " nut	ナット	2
16	200671	" " " " (exterior)	(B)	1
17	2905	" " " " " " screw	止ネジ	2
18	200672	" " " " " pin	ピン	1
19	5023	" " " " " " screw	止ネジ	2
20	200697	" " " " " rubber catch	当ゴム	1
21	200174	" " " " " " washer	座金	1
22	5136	" " " " " " " " screw	止ネジ	1
23	200673	" " " " " lock spring	止バネ	1
24	5136	" " " " " " " " screw	止ネジ	1



(2) MACHINE FRAME AND MISCELLANEOUS COVERS

カバ-・外装機構(2)

Ref. No.	Parts No.	Name	名称	Qt.
参照番号	部品番号			数量
1	200743	Cloth plate, complete with 200744 & 200745	DC-MS 大カバー(組)200744, 200745ノ組	DC-MS 1
	*200744	" plate	205, 220, " (上)	205, 220, 1
	*200745	" " extension	230 & " (下)	230, 250用 1
2	137008	" " lock spring	250 only " 裏パネ	1
3	1234	" " " " screw	" " 止ネジ	2
4	2419	" " screw	" 止ネジ	} DC-MS205, 220, 1 230, 250用
5	3144	" " " nut	" " ナット	
6	202073	Model plate (DC-MS230 only)	形式板 (DC-MS230用)	1
7	137011	" " pin	" 止ピン (白)	2
8	202082 B	Patent plate	特許マーク	1
9	200640 A	Frame cover (rear), complete with 200170 & 3044	後カバー(組)200170, 3044トノ組	1
	*200170	" " " knob	" ツマミ	1
	3044	" " " " nut	" " ナット	1
10	200168	" " " hinge	" ヒンジ	1
11	1216	" " " " screw	" " 止ネジ	2
12	200169	" " " " pin	" " ピン	1
13	5025	" " " " " screw	" " " 止ネジ	2
14	200172	" " " lock spring	" 止パネ	1
15	1175-2	" " " " " screw	" " 止ネジ	2
16	200162	" " " " " " washer	" " " 座金	1
17	200697	" " " rubber catch	" 当ゴム	1
18	200174	" " " " " washer	" " 座金	1
19	2905	" " " " " " screw	" " " 止ネジ	1
20	200783 A	Thread guide	" 糸道(A)	1
21	5012	" " " screw	" " " 止ネジ	1
22	193174	" eyelet	" " (B)	2
23	1326	" " screw	" " " 止ネジ	2
24	200641	Needle bar connection cover	大ロッドカバー	1
25	4009	" " " " " screw (rear)	" 止ネジ(後)	1
26	137142	" " " " " " washer	" " " 座金	1
27	1175-2	" " " " " (front)	" " (前)	1
28	200746	Front cover, complete with 200747, 200748x2 & 200186	前カバー(組)200747, 200748×2, 200186ノ組	1
	*200747	" cover	" 本体	1
	*200748	" " hinge(interior)	" ヒンジ(上)	2
	*200186	" " knob	" ツマミ	1
29	200184	" " hinge (exterior)	" ヒンジ(下)	1
30	1216	" " " " screw	" " " 止ネジ	3
31	200749	" " " pin	" " ピン	1
32	5025	" " " " screw	" " " 止ネジ	2
33	200750	" " " " spring	" " " パネ	1
34	200260	Arm-bed & oil pan interstice cover	オイルパン隙間カバー	1



PARTS FOR MODEL DC-MS205D, 220D, 230D & 250D ONLY

DC-MS205D, 220D, 230D, 250D 専用部品

Ref. No. 参照番号	Parts No. 部品番号	Name	名称	Qt. 数量
1	202131	Arm-bed, complete with 202001, 202104, 137950x2 & 1936x2	アーム・ベッド(組)202001,202104, 137950×2,1936×2 ノ組	1
	*202104	Machine bed	ベッド	1
2	202105	Crankshaft	クランクシャフト	1
3	202106	" bushing	小ブッシュ	1
4	200502	Feed lift block	送り上下角玉	1
5	202183	" rocker, complete with 202182, 1170-3x2 & 200308	送りロックシャフト(組)202182,1170-3×2, 200308ノ組	1
	*202182	Differential feed regulator	差動送り調節器	1
	1170-3	" " " screw	" 止ネジ	2
	*200308	Feed rocker	送りロックシャフト	1
6	200089	" " pivot shaft	" ピン	1
7	202903	" " " " oil plug	" 油栓	1
8	200316	Differential feed drive adjust connection screw stud	差動調節桿ピン	1
9	200097	" " " " stud	差動調節器	1
10	200099	" " " " " thrust washer	" スラストワッシャー	1
11	3001	" " " " " " screw	" 止ネジ	1
12	2308	" " " " " screw	" 止ネジ	1
13	200098	" " " " " " washer	" 座金	1
14	200311	Feed bar	主送り台	1
15	200312	Differential feed bar	差動送り台	1
16	200315A	Feed bar pin	送り台ピン	1
17	200314	Differential feed drive adjust connection	差動調節桿	1
18	202109A	Main feed dog	主送り歯	1
19	1175-2	" " " screw	" 止ネジ	1
20	202110A	Differential feed dog	差動送り歯	1
21	1175-2	" " " screw	" 止ネジ	1
22	202112	Feed bar guide (middle)	送り台案内金(中)	1
23	5136	" " " " screw	" 止ネジ	1
24	202111	" " " (upper)	" (上)	1
25	1174	" " " " screw	" 止ネジ	1
	200085	" " " (lower), complete with 200083, 200084 & 1170-3x2	" (下)(組)200083,200084, 1170-3×2ノ組	1
26	200083	" " " (lower)	" "	1
27	1170-3	" " " " screw	" 止ネジ	2
28	200084	" " " " bracket	" 土台	1
29	1419	" " " " " screw	" 止ネジ	1
30	200109	Presser arm	押エ台	1
31	202132	Cloth plate, complete with 202114 & 200745	大カバー(組)202114, 200745ノ組	1
	*202114	" plate	" (上)	1
32	5170	" " screw	" 止ネジ	1
33	1457-1	" " set screw	" セットネジ	1
34	202115	" " fabric guard	衣除ケ	1
35	2921	" " " " screw	" 止ネジ	2
36	202134	Left looper thread tension guide	裏糸調子台	1
37	202113	Oil tube	送り台給油パイプ	1
38	202176	" wick	" 給油紐	1

○ **DC-MS 230** ○

1

○ **DC-MS 230D** ○

2

○ **DC-MS 250** ○

3

○ **DC-MS 205** ○

4

○ **DC MS 220** ○

5

○ **DC-MS 205D** ○

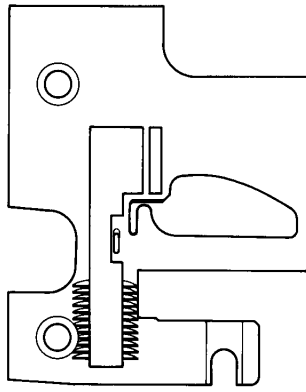
6

○ **DC-MS 220D** ○

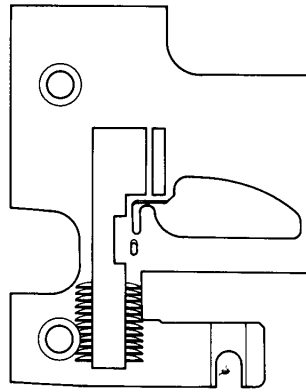
7

○ **DC-MS 250D** ○

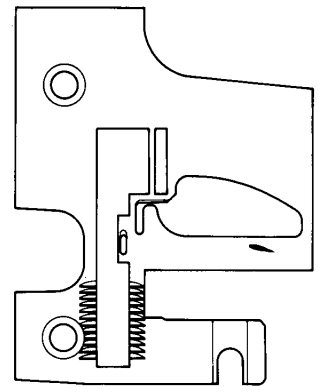
8



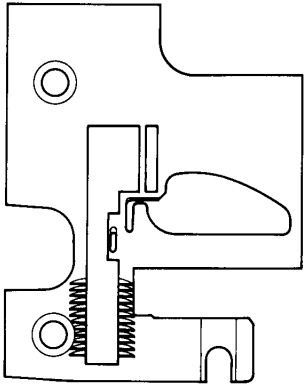
11



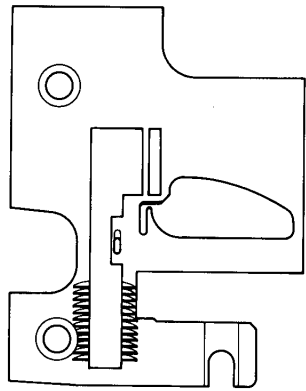
15



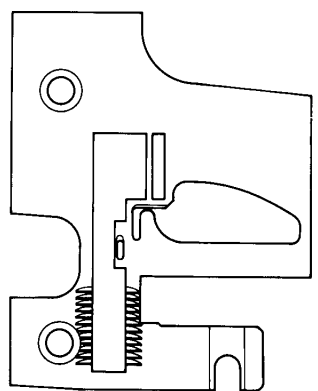
19



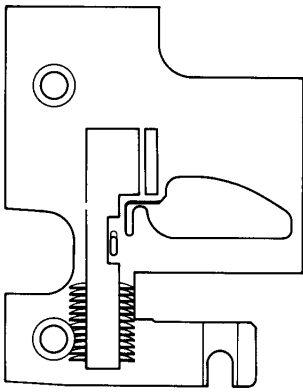
12



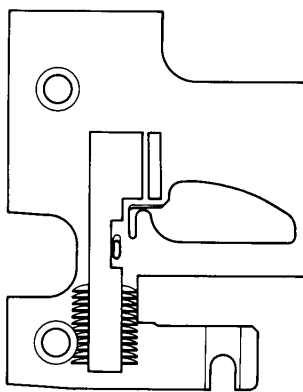
16



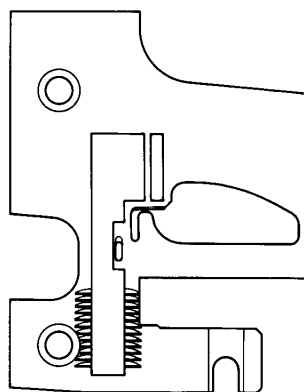
20



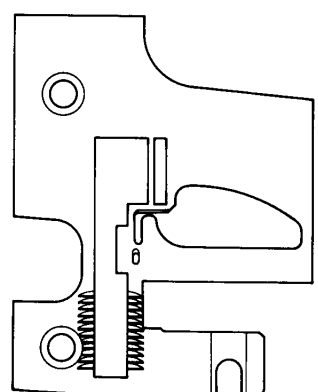
9



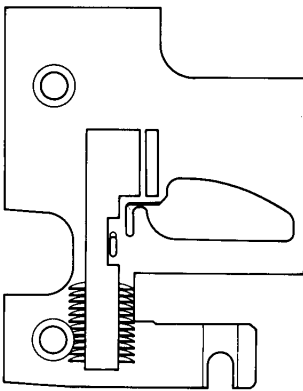
13



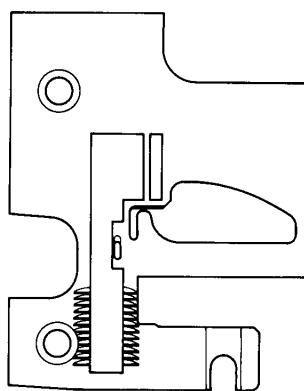
17



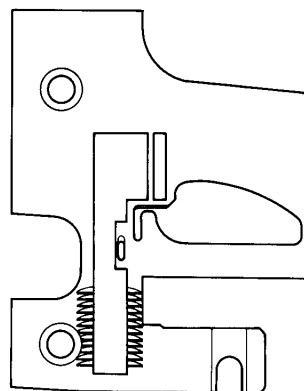
21



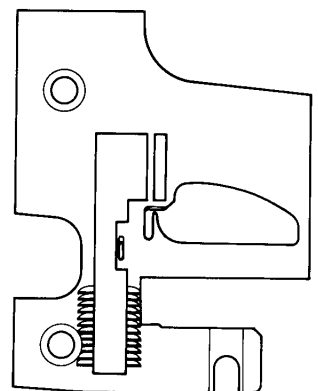
10



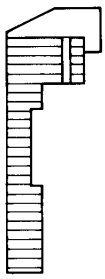
14



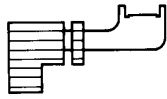
18



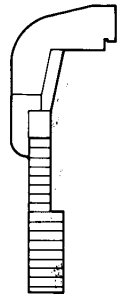
22



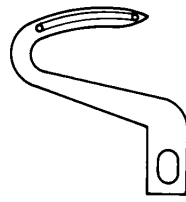
23



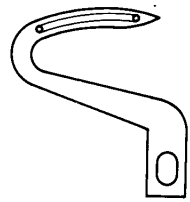
24



25



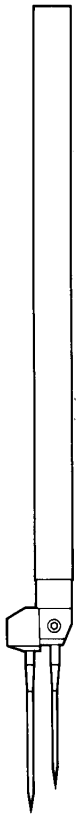
34



35



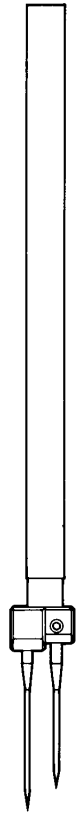
26



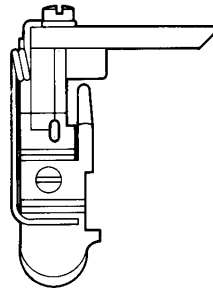
27



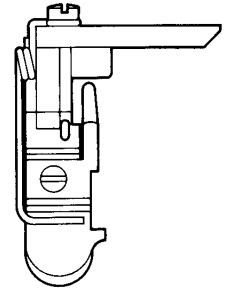
28



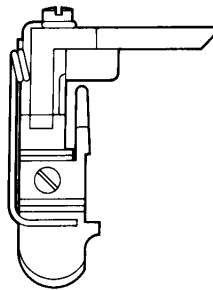
29



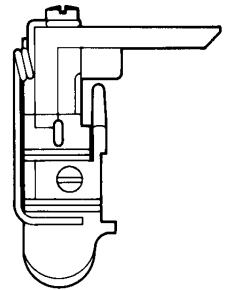
36



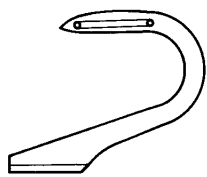
37



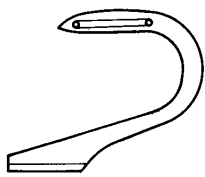
38



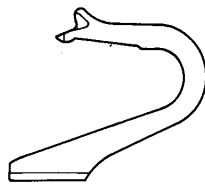
39



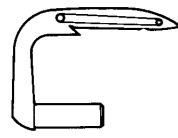
30



31



32



33



40



41

LIST OF ORGANIZATION PARTS

ゲージ・パーツ表

ゲージ・パーツ表ご利用に際して

- このゲージ・パーツ表には、機種、ゲージ（針巾×縫巾）、オーバーロック側に使用される糸の種類、本数別に各ゲージ・パーツを記載しています。
太字で表示している機種はDC-MSシリーズの標準機種であります。（注）縫巾とはオーバーロック縫巾です。
- このゲージ・パーツ表に記載されている押エ（組）は、押エ本体ピン200796、押エ200734、押エ爪200735A、押エ爪止ネジ1231、押エ補助バネ200729A、押エ補助バネ止ネジ1229、（使用数各1）の全機種共通パーツと、DC-MS230、230D用(200731)には押エ本体200733が組合せられています。
DC-MS220、220D用(200730) ♪ 200732 ♪
DC-MS205、205D用(202120) ♪ 202121 ♪
DC-MS250、250D用(202086) ♪ 202101 ♪
- 針棒（組）は針棒141122、針止ネジ5292（使用数2）の全機種共通パーツと、DC-MS230、230D用(700711)には針棒700713が組合せられています。
DC-MS220、220D用(200710) ♪ 200712 ♪
DC-MS205、205D用(202119) ♪ 202118 ♪
DC-MS250、250D用(202100) ♪ 202084 ♪

Model	Gauge(Needle gauge × Seam width)	Threads used for overlock stitch.	Page	Ref. No.	Model plate	Page	Ref. No.	Needle plate	Page	Ref. No.	Feed dog (Plain feed)	Page	Ref. No.	Main feed dog	Page	Ref. No.	Differential feed dog
形式	ゲージ(mm) (針巾×縫巾)	オーバーロック側 使用糸	頁	参照 番号	形式板	頁	参照 番号	針板	頁	参照 番号	送り歯 (1枚送り)	頁	参照 番号	主送り歯	頁	参照 番号	差動 送り歯
DC-MS230	3mm×3mm	カタン糸又ハウリー糸 Cotton or Woolly yarn	26	1	202073	26	9	200715A	27	23	200723A	/	/	/	/	/	/
〃	〃	綿糸 Soft(Spool)	〃	〃	〃	〃	10	200949	〃	〃	〃	/	/	/	/	/	/
〃	〃	カタン糸又ハウリー糸 (2本糸) Cotton or Woolly yarn (2-thread machine)	〃	〃	〃	〃	11	200953	〃	〃	〃	/	/	/	/	/	/
DC-MS220	2mm×3mm	カタン糸又ハウリー糸 Cotton or Woolly yarn	26	2	202072	26	12	200714A	27	23	200723A	/	/	/	/	/	/
〃	〃	綿糸 Soft(Spool)	〃	〃	〃	〃	13	200948	〃	〃	〃	/	/	/	/	/	/
〃	〃	カタン糸又ハウリー糸 (2本糸) Cotton or Woolly yarn (2-thread machine)	〃	〃	〃	〃	14	200952	〃	〃	〃	/	/	/	/	/	/
DC-MS205	0.5mm×3mm	綿糸 Soft(Spool)	26	3	202090	26	15	202123	27	23	200723A	/	/	/	/	/	/
DC-MS250	5mm×3mm	綿糸 Soft(Spool)	26	4	202091	26	16	202085	27	23	200723A	/	/	/	/	/	/
DC-MS230D	3mm×3mm	カタン糸又ハウリー糸 Cotton or Woolly yarn	26	5	202129	26	17	202108	/	/	/	27	24	202109A	27	25	202110A
〃	〃	綿糸(2本糸) Soft(Spool) (2-thread machine)	〃	〃	〃	〃	18	200951	/	/	/	〃	〃	〃	〃	〃	〃
DC-MS220D	2mm×3mm	カタン糸又ハウリー糸 Cotton or Woolly yarn	26	6	202128	26	19	202107	/	/	/	27	24	202109A	27	25	202110A
〃	〃	綿糸(2本糸) Soft(Spool) (2-thread machine)	〃	〃	〃	〃	20	200950	/	/	/	〃	〃	〃	〃	〃	〃
DC-MS205D	0.5mm×3mm	綿糸 Soft(Spool)	26	7	202127	26	21	202116	/	/	/	27	24	202109A	27	25	202110A
DC-MS250D	5mm×3mm	綿糸 Soft(Spool)	26	8	202130	26	22	202122	/	/	/	27	24	202109A	27	25	202110A

IN ORDERING ORGANIZATION PARTS

This List contains the Organization Parts for each machine model and gauge (needle gauge x overlock seam width), and enables you to know necessary parts for repairs or converting your machine to another model or gauge. And the models in BLOCK type are the standard machines of DC-MS series.

All presser foots (complete) shown on this List consist of a PRESSER FOOT BODY with each needle gauge (List I) and the common parts to all models of DC-MS series (List II).

— List I —

PRESSER FOOT BODY PRESSER FOOT (COMPLETE)
 Parts No.200733 . . for Parts No.200731 of model DC-MS230 & 230D.
 No.200732 . . for No.200730 of model DC-MS220 & 220D.

PRESSER FOOT BODY PRESSER FOOT (COMPLETE)
 Parts No.202121 . . for No.202120 of model DC-MS205 & 205D.
 No.202101 . . for No.202086 of model DC-MS250 & 250D.

— List II —

THE COMMON PARTS TO ALL MODELS
 Parts No.200796 (Presser foot body pin)
 No.200734 (Presser foot body bracket)
 No.200735A (Presser foot chaining-off finger)

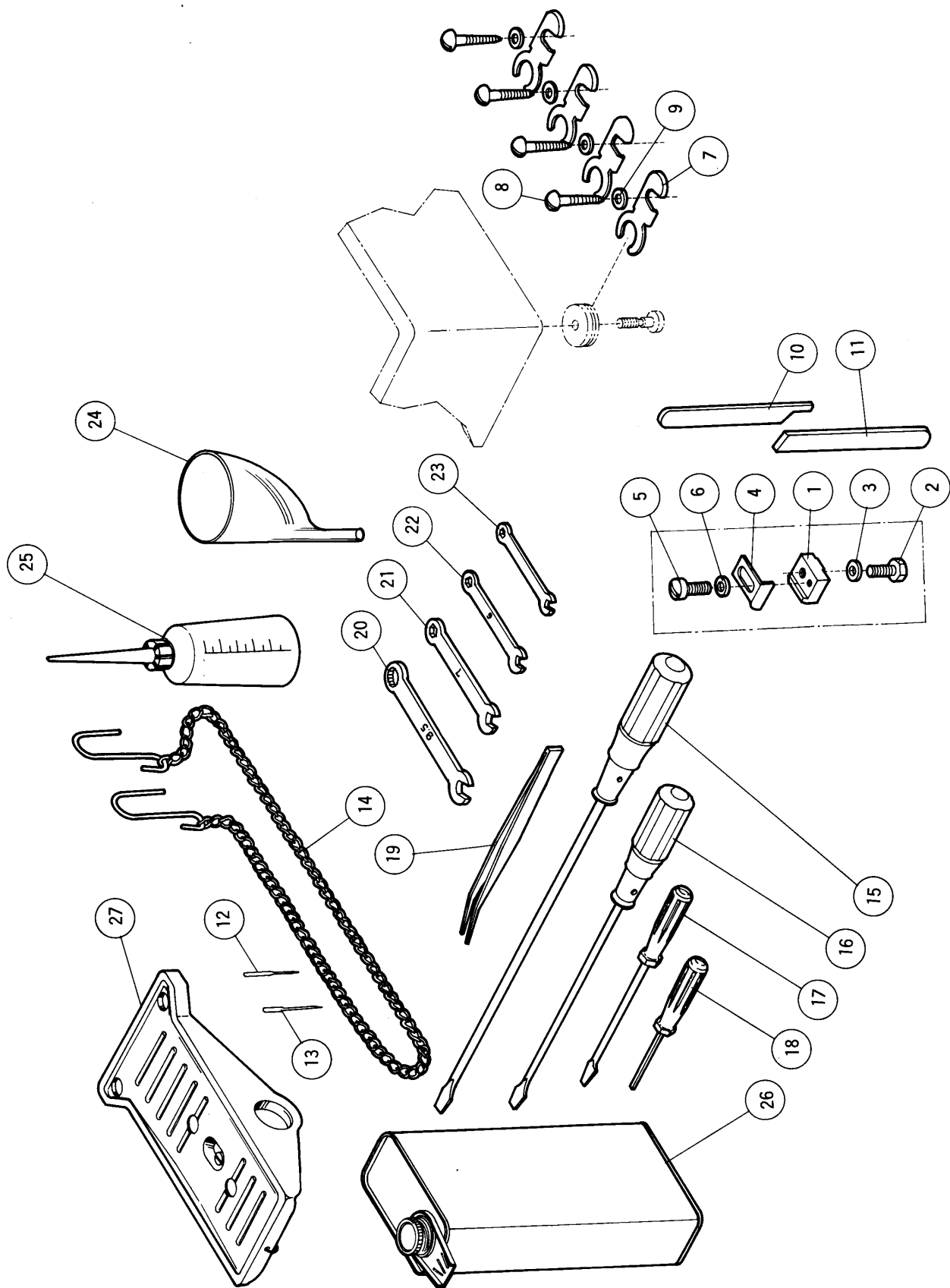
Parts No.1231 (Presser foot chaining-off finger screw)
 No.200729A (Presser foot spring)
 No.1229 (Presser foot spring screw)

All needle bars (complete) in this List consist of NEEDLE BAR (No.141122), 2 pieces NEEDLE CLAMP SCREWS (No.5292) and the following NEEDLE CLAMP with each needle gauge.

NEEDLE CLAMP
 Parts No.200713 . . for No.200711 of model DC-MS230 & 230D.
 No.200712 . . for No.200710 of model DC-MS220 & 220D.

Parts No.202118 . . for No.202119 of model DC-MS205 & 205D.
 No.202084 . . for No.202100 of model DC-MS250 & 250D.

Page	Ref. No.	Needle bar (complete)	Page	Ref. No.	Right looper	Page	Ref. No.	Left looper	Page	Ref. No.	Double chain-stitch looper	Page	Ref. No.	Presser foot (complete)	Page	Ref. No.	Upper knife	Page	Ref. No.	Lower knife
頁	参照番号	針棒(組)	頁	参照番号	大ルーバー	頁	参照番号	小ルーバー	頁	参照番号	二重環ルーバー	頁	参照番号	押エ(組)	頁	参照番号	上メス	頁	参照番号	下メス
27	26	200711	27	30	137301	27	33	137302	27	34	200785	27	36	200731	27	40	138559	27	41	137562
〃	〃	〃	〃	〃	〃	〃	〃	〃	〃	〃	〃	〃	〃	〃	〃	〃	〃	〃	〃	〃
〃	〃	〃	27	32	139301	〃	〃	〃	〃	〃	〃	〃	〃	〃	〃	〃	〃	〃	〃	〃
27	27	200710	27	30	137301	27	33	137302	27	34	200785	27	37	200730	27	40	138559	27	41	137562
〃	〃	〃	〃	〃	〃	〃	〃	〃	〃	〃	〃	〃	〃	〃	〃	〃	〃	〃	〃	〃
〃	〃	〃	27	32	139301	〃	〃	〃	〃	〃	〃	〃	〃	〃	〃	〃	〃	〃	〃	〃
27	28	202119	27	30	137301	27	33	137302	27	35	202133	27	38	202120	27	40	138559	27	41	137562
27	29	202100	27	31	200340	27	33	137302	27	34	200785	27	39	202086	27	40	138559	27	41	137562
27	26	200711	27	30	137301	27	33	137302	27	34	200785	27	36	200731	27	40	138559	27	41	137562
〃	〃	〃	27	32	139301	〃	〃	〃	〃	〃	〃	〃	〃	〃	〃	〃	〃	〃	〃	〃
27	27	200710	27	30	137301	27	33	137302	27	34	200785	27	37	200730	27	40	138559	27	41	137562
〃	〃	〃	27	32	139301	〃	〃	〃	〃	〃	〃	〃	〃	〃	〃	〃	〃	〃	〃	〃
27	28	202119	27	30	137301	27	33	137302	27	35	202133	27	38	202120	27	40	138559	27	41	137562
27	29	202100	27	31	200340	27	33	137302	27	34	200785	27	39	202086	27	40	138559	27	41	137562



ACCESSORIES

付 属 品

Ref. No. 参照番号	Parts No. 部品番号	Name	名 称	Qt. 数量
	200472	Cloth guide, complete with 138905, 2193, 137142, 200668, 1202 & 137906	定規台(組)138905, 2193, 137142, 200668, 1202, 137906ノ組	1
1	138905	" guide bracket	〃	1
2	2193	" " screw	〃 止ネジ	1
3	134142	" " " washer	〃 〃 座金	1
4	200668	" guide	定規	1
5	1202	" " screw	〃 止ネジ	1
6	137906	" " " washer	〃 〃 座金	1
7	202014A	Oil pan set hook	オイルパン足金	4
8	5019	" " " " wood screw	〃 据付用木ネジ	4
9	137142	" " " " " " washer	〃 〃 座金	4
10	138559	Upper knife (for exports only)	上メス(貿易用)	1
11	137562	Lower knife (" " ")	下メス(〃)	1
12	DC×1	Needle	針	10
13	DM×13	Needle	〃	10
14	126	Treadle chain	鎖	1
15	127	Screw driver (large)	ドライバー(大)	1
16	128	" " (medium)	〃 (中)	1
17	129	" " (small)	〃 (小)	1
18	179	Allen wrench	ソケットスクリユー用ドライバー	1
19	131	Tweezers	ピンセット	1
20	130A-9.5	Wrench (9.5mm)	スパナ 9.5mm	1
21	130A-7	" (7.0mm)	〃 7 mm	1
22	130A-6	" (6.0mm)	〃 6 mm	1
23	130A-4	" (4.0mm)	〃 4 mm	1
24	135A	Oil funnel	ジョウゴ	1
25	132	Oiler	油差シ	1
26	133	Oil container (500cc)	油缶(500cc入)	1
27	121	Treadle, complete	靴(組)	1

NUMERICAL INDEX OF PARTS

部 品 番 号 索 引

Parts No.	Page	Ref. No.	Parts No.	Page	Ref. No.	Parts No.	Page	Ref. No.	Parts No.	Page	Ref. No.	Parts No.	Page	Ref. No.
部品番号	頁	参照番号	部品番号	頁	参照番号	部品番号	頁	参照番号	部品番号	頁	参照番号	部品番号	頁	参照番号
70-1	5	27	1234	21	3	3044	7	29	101111	5	45	139301	29	32
121	31	27	1281	23	2	3044	11	38	101111	7	35	140402	13	14
126	31	14	1326	21	23	3044	15	10	101111	7	42	141105A	5	49
127	31	15	1326	23	14	3044	15	19	101111	11	35	141122	5	
128	31	16	1419	25	27	3044	21		101113	7	33	141122	28	
129	31	17	1435	11	30	3056	7	32	101113	7	40	141122	29	
130A-9.5	31	20	1457	5	11	3056	7	39	134142	31	3	167072	11	36
130A-7	31	21	1457	5	13	3056	11	33	137008	21	2	167077	11	34
130A-6	31	22	1457	5	36	3091	9	28	137011	21	7	192070	5	26
130A-4	31	23	1457	11	25	3091	23	15	137101	5	29	193174	21	22
131	31	19	1457	17	10	3092	9	29	137104	7	30	200033	5	1
132	31	25	1457-1	9	47	3144	21	5	137106	7	38	200034	5	
133	31	26	1457-1	11	17	4009-1	3	21	137114	7	41	200037	5	10
135A	31	24	1457-1	25	31	4009-1	19	2	137115	7	34	200083	25	26
179	31	18	1458	15	8	4009-1	21	25	137121	7	5	200084	25	28
1132	15	33	1459	17	13	4009-1	23	9	137123	5	35	200085	25	
1156	9	11	1732	5	38	5001	13	9	137130	5	3	200089	25	6
1156	13	11	1817-2A	5	46	5002	11	2	137130	7	3	200097	25	9
1170	9	3	1817-2A	7	36	5002	11	9	137140	15	1	200098	25	13
1170-3	5	21	1817-2A	7	43	5002	13	2	137141	15	4	200099	25	10
1170-3	25		1936	3		5003	13	3	137142	7	37	200109	25	28
1170-3	25	27	2022	5	15	5010	5	4	137142	7	44	200119	17	2
1174	9	20	2022	9	8	5010	7	4	137142	13	8	200120	17	3
1174	9	23	2022	9	16	5012	21	21	137142	15	13	200134A	19	8
1174	15	22	2022-3	3	14	5019	31	8	137142	21	26	200136	19	3
1174	25	25	2022-3	7	21	5023	23	19	137142	27	9	200136	19	14
1175-2	13	22	2022-3	13	13	5025	21	13	137143	15	6	200136	19	15
1175-2	21	15	2022-4	5	8	5025	21	32	137145A	15	15	200137	19	4
1175-2	21	27	2022-4	7	6	5051	3	24	137146	15	14	200137	19	12
1175-2	25	19	2022-4	7	11	5052	3	25	137147	15	20	200138	19	5
1175-2	25	21	2022-4	9	13	5053	7	23	137301	7	12	200162	21	16
1175-3	11	28	2133	15	18	5053	13	20	137301	29	30	200168	21	10
1186	5	25	2133-1	15	27	5056	15	7	137302	7	22	200168	23	13
1186	11	6	2193	31	2	5058	3	9	137302	29	33	200169	21	12
1186	13	6	2213	15	3	5060	17	7	137307A	7	14	200170	21	
1196	5	23	2213	15	16	5061	5	39	137409	7	10	200172	21	14
1196	7	13	2213-1	5	2	5064	9	31	137409	13	12	200174	21	18
1196	7	25	2213-1	7	2	5064	9	39	137417	13	15	200174	23	21
1196	11	21	2213-1	9	2	5064	19	23	137419	13	7	200184	21	29
1196	23	11	2237	11	19	5064	19	26	137442	13	17	200186	21	
1202	5	41	2237	13	18	5065	15	41	137442-1	13	19	200187A	23	7
1202	9	33	2285	15	17	5069	15	45	137552	15	2	200204	11	37
1202	9	35	2308	15	12	5070	15	42	137552	15	26	200211	3	6
1202	9	45	2308	25	12	5113	19	20	137553	15	38	200260	21	34
1202	23	6	2366-2	15	23	5132	3	3	137554	15	36	200265	5	7
1202	31	5	2368	3	16	5133	3	4	137558	15	35	200308	25	
1216	5	30	2370	15	9	5134	17	5	137560	15	34	200311	25	14
1216	7	31	2371	15	5	5136	23	22	137562	15	43	200312	25	15
1216	9	6	2419	21	4	5136	23	24	137562	29	41	200314	25	17
1216	21	11	2905	21	19	5136	25	23	137562	31	11	200315A	25	16
1216	21	30	2905	23	17	5138B	17	20	137563	15	44	200316	25	8
1216	23	4	2913-1	3	10	5170	25	30	137906	31	6	200322	13	10
1222	5	19	2918	11	3	5224	15	31	137950	3		200340	29	31
1222	15	37	2921	25	33	5229	28		138555A	15	29	200389	3	12
1229	28		2922	7	16	5229	29		138555-1	15	30	200389	5	9
1229	29		2924	19	29	5259	15	39	138556	15	32	200396	9	22
1231	28		3001	25	11	5292	5	32	138559	15	28	200398	9	26
1231	29		3018	9	25	5292	9	37	138559	29	40	200400	9	24
1234	5	6	3018	15	24	5293	17	15	138559	31	10	200401	9	21
1234	9	42	3044	5	48	9070-2	5	28	138905	31	1	200472	31	

Parts No.	Page	Ref. No.	Parts No.	Page	Ref. No.	Parts No.	Page	Ref. No.	Parts No.	Page	Ref. No.	Parts No.	Page	Ref. No.
部品番号	頁	参照番号	部品番号	頁	参照番号	部品番号	頁	参照番号	部品番号	頁	参照番号	部品番号	頁	参照番号
200502	25	4	200725A	15	25	200795A	9	43	202079	19	28	202176	7	19
200503	13	1	200726	15	40	200796	28		202081	9	4	202176	9	17
200531	5	22	200729A	28		200796	29		202082B	21	8	202176	11	12
200534	5	5	200729A	29		200798B	9	41	202083A	9	5	202176	11	23
200605	3		200730	28		200799B	9	36	202084	28		202176	11	31
200607	3	11	200730	29		200947	7	15	202084	29		202176	13	24
200618	7	1	200730	29	37	200948	28	13	202085	28	16	202176	19	21
200620	7	8	200731	15	11	200949	28	10	202086	28		202176	19	24
200621A	7	26	200731	28		200950	28	20	202086	29		202176	19	27
200622A	7	27	200731	29		200951	28	18	202086	29	39	202176	25	36
200623A	7	28	200731	29	36	200952	28	14	202087A	17	21	202177	5	18
200624	7	17	200732	28		200953	28	11	202087A	23	5	202179	7	20
200625	7	18	200732	29		201035A	5	42	202088	13	16	202182	25	
200627	13	23	200733	28		201037	5	43	202090	28	3	202183	25	5
200628	13		200733	29		201039	5	44	202091	28	4	202199	19	6
200629	13		200734	28		201139	17	9	202100	28		202278	5	47
200631	15	21	200734	29		202001	3		202100	29		202757	11	22
200632	11	24	200735	28		202006	3	15	202100	29	29	202903	19	18
200632	19	19	200735	29		202007	3	23	202101	28		202903	25	7
200633	3	17	200737	11	5	202008	23	8	202101	29		DC×1	5	33
200640A	21	9	200737	13	5	202010	5	12	202104	25		DC×1	31	12
200641	21	24	200741	11	15	202012	17	1	202105	25	2	DM×13	5	34
200652	5	14	200742	9	18	202013	17	4	202106	25	3	DM×13	31	13
200653	5	16	200742	11	13	202014A	31	7	202107	28	19			
200654	5	17	200742	11	32	202015	17	6	202108	28	17			
200655	5	20	200743	21	1	202016	17	8	202109A	25	18			
200664	3	22	200744	21		202017	17	11	202109A	28	24			
200668	31	4	200745	21		202019	3	26	202110A	25	20			
200670A	23	12	200746	21	28	202021	17	17	202111	25	24			
200671	23	16	200747	21		202022A	17	18	202112	25	22			
200672	23	18	200748	21		202023	17	19	202113	25	35			
200673	23	23	200749	21	31	202024	3	18	202114	25				
200697	21	17	200750	21	33	202025	3	19	202115	25	32			
200697	23	20	200751	23	1	202026	3	20	202116	28	21			
200698	19	10	200752	23	3	202027	19	1	202118	28				
200699	19	9	200756	9	7	202028	19	7	202118	29				
200703	3	8	200757	9	9	202032	19	11	202119	28				
200707	3	13	200758	9	10	202033	19	13	202119	29				
200709	5	24	200759	9	12	202034	19	16	202119	29	28			
200710	28		200760	9	14	202035A	19	17	202120	28				
200710	29		200761	9	15	202040	19	25	202120	29				
200710	29	27	200767	9	27	202044A	17	22	202120	29	38			
200711	5	31	200768	11	1	202046	3	2	202121	28				
200711	28		200770	11	7	202047	11	4	202121	29				
200711	29		200771	11	8	202047	13	4	202122	28	22			
200711	29	26	200772	11	10	202048	17	12	202123	28	15			
200712	28		200773	11	11	202049A	17	14	202127	28	7			
200712	29		200773	11	14	202050	23	10	202128	28	6			
200713	5		200775	11	16	202051	3	5	202129	28	5			
200713	28		200776	11	18	202058	17		202130	28	8			
200713	29		200777	11	20	202066	17	16	202131	25	1			
200714A	28	12	200779	11	26	202070	3	1	202132	25	29			
200715A	5	37	200780	11	27	202071	3		202133	29	35			
200715A	28	9	200781	11	29	202072	28	2	202134	25	34			
200716	5	40	200782	9	30	202073	21	6	202135	7	7			
200717	7	24	200783A	21	20	202073	28	1	202136	9	34			
200718	7	45	200785	9	32	202074	3	7	202137	9	40			
200719	9	46	200785	29	34	202075A	3		202138	9	19			
200723A	13	21	200787A	9	38	202076	9		202175	19	30			
200723A	28	23	200793	9	44	202077A	9	1	202176	7	9			

