

# **500/V SERIES**

---

**503/V. 504/V.**

**514/V. DCR-942.**

**WILCOX & GIBBS**



# INTRODUCTION

This parts catalog has been arranged in the following manner.

## ARRANGEMENT BY MECHANISM(pages 2~41)

Each mechanism is arranged on facing pages, the first page containing the illustrations and the second page containing the data of the individual parts.

The machine type numbers in the illustrations indicate which machines the parts are used on.

**Note 1:** The words after the slash / and in brackets ( ) in the part name are specifications and auxiliary explanations of the parts. EXAMPLE: BRACKET/BINDER

## GAUGE PARTS CONSTRUCTION CHARTS/GAUGE PARTS LISTS

Gauge parts are used in some machine types and sewing gauges only. Pages 42-49 contain the gauge parts construction charts in order to know the illustrations and the combinations of the parts, and pages 50-52 contain the gauge parts lists to obtain the data at a glance.

## PART NUMBER INDEX(pages 54~61)

A part number index is attached to the back of this catalog for convenience.

## ORDERING PARTS

When placing orders for parts from this catalog, use ONLY THE PART NUMBER.

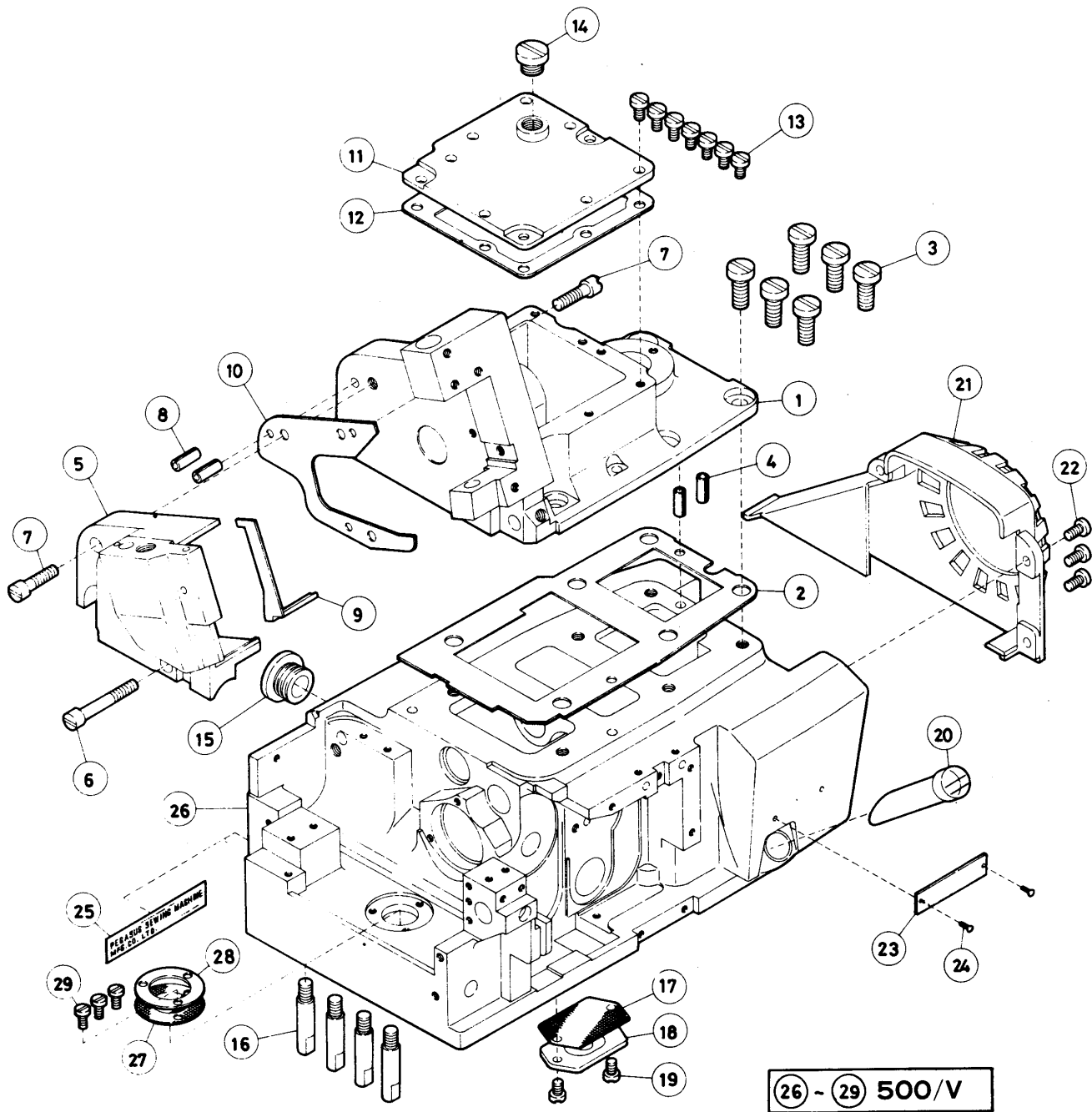
## APPLICATION OF THIS CATALOG

This catalog covers the following machines and is applicable to your machine subject to change without notice.

MACHINE	MACHINE NO.	MANUFACTURING DATE
500/V	#5976946 and after.	May, 1980 and after.
504/V-71) 514/V-79)	#5983667 and after.	Feb., 1981 and after.
DCR-942	#5943267 and after.	Aug., 1980 and after.

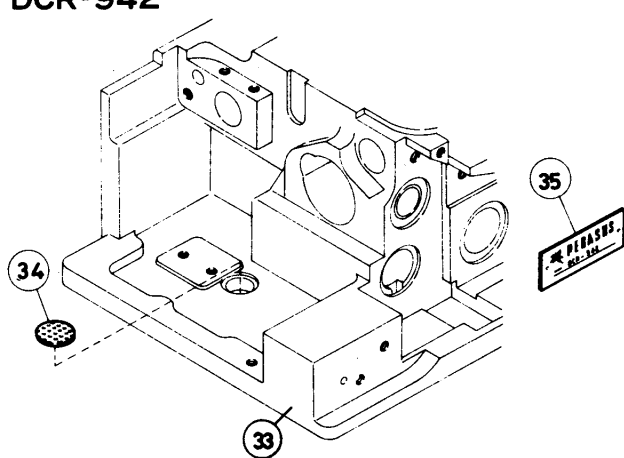
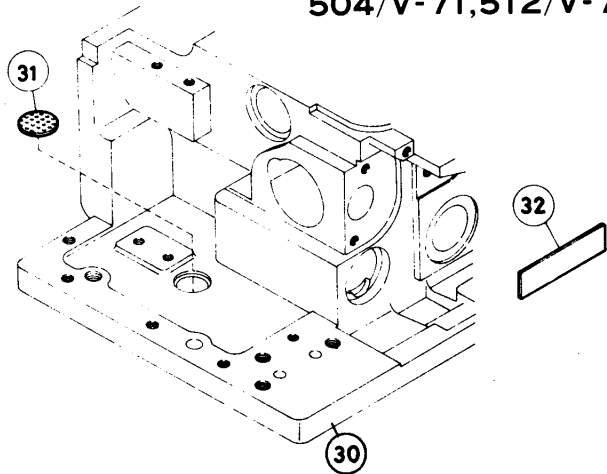
## TABLE OF CONTENTS

	Page
MACHINE BED FRAME	2-3
COVERS (1),(2)	4-7
CRANKSHAFT DRIVE MECHANISM	8-9
NEEDLE DRIVE MECHANISM (1),(2),(3)	10-15
UPPER LOOPER DRIVE MECHANISM	16-17
LOWER LOOPER DRIVE MECHANISM	18-19
FEED MECHANISM (1),(2),(3)	20-25
UPPER AND LOWER KNIFE MECHANISM	26-27
PRESSER FOOT MECHANISM	28-29
LUBRICATING MECHANISM	30-31
HR DEVICE (Needle Cooler and Thread Lubricator)	32-33
SEMI-SUBMERGED INSTALLATION PARTS	34-35
THREAD STANDS	36-37
ACCESSORIES	38-39
ATTACHMENTS AND SPECIAL ORDER PARTS	40-41
GAUGE PARTS CONSTRUCTION CHARTS	42-49
GAUGE PARTS LISTS	50-52
SPECIFIC PARTS	53
PART NUMBER INDEX	54-61



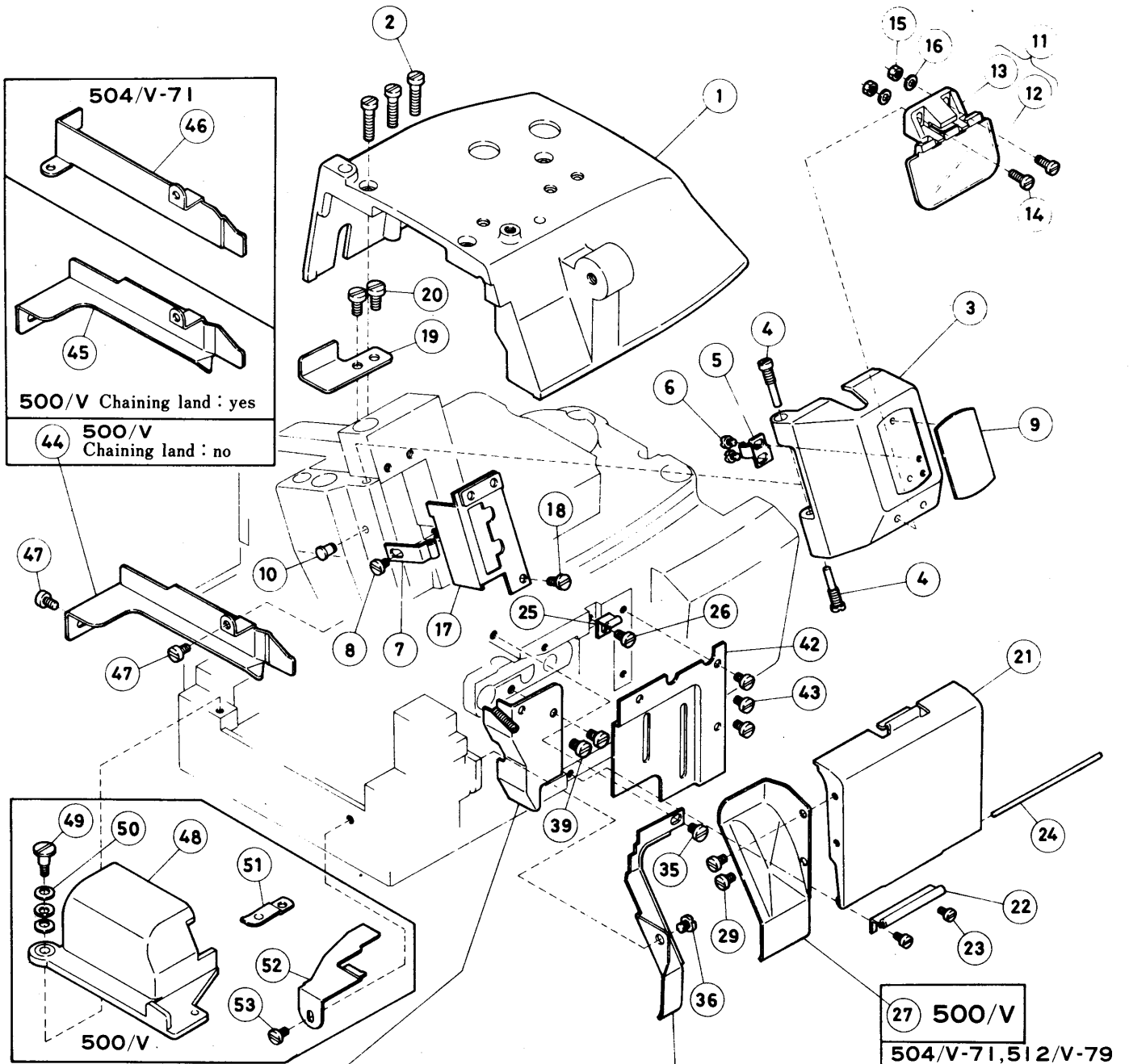
504/V-71, 512/V-79

DCR-942



# MACHINE BED FRAME

REF. NO.	PART NO.	NEW PRODUCT CODE NO.	NAME	QT.
1	205689-FD	323-500-032	MACHINE ARM (RIGHT)	1
2	202716	323-663-210	GASKET	1
3	5078	323-600-001	SCREW	6
4	201002	323-620-001	PIN	2
5	205690-FD	323-500-033	MACHINE ARM (LEFT)	1
6	5237	323-600-327	SCREW	1
7	5163	323-600-328	SCREW	2
8	201002	323-620-001	PIN	2
9	205691	323-560-071	OIL SHIELD	1
10	205692	323-663-106	GASKET	1
11	202648C	323-510-069	COVER	1
12	202649A	323-663-216	GASKET	1
13	5117	323-600-057	SCREW	7
14	5198	323-600-208	SCREW	1
15	202687	323-510-231	SCREW	1
16	202354	323-620-202	PIN	4
17	202662	323-655-204	FILTER SCREEN	1
18	202663D	323-800-217	PLATE	1
19	1175-2	323-600-002	SCREW	2
20	201330	323-882-001	OIL LEVEL SIGHT GAUGE	1
21	205693-FD	323-560-072	BELT GUARD	1
22	5117	323-600-057	SCREW	3
23	XXXXXX		TYPE PLATE	1
24	210679	323-620-057	TYPE PLATE PIN	2
25	202526	323-692-201	NAME PLATE	1
26	205828		MACHINE BED	1
27	201004	323-655-001	OIL FILTER SCREEN	1
28	205708	323-800-073	OIL FILTER SCREEN PLATE	1
29	1189	323-600-301	SCREW	3
30	205829		MACHINE BED	1
31	202355	323-655-015	FILTER SCREEN	1
32	XXXXXX		TYPE PLATE	1
33	205830		MACHINE BED	1
34	202355	323-655-015	FILTER SCREEN	1
35	205784	323-692-133	TYPE PLATE	1



1-needle 503/V, 504/V (37)

40 41 38

504/V-71 512/V-79 DCR-942

2-needle 514/V

503/V, 504/V without HR Device (30)

34 33 32 31

504/V-71 512/V-79 DCR-942

2-needle 514/V with HR Device

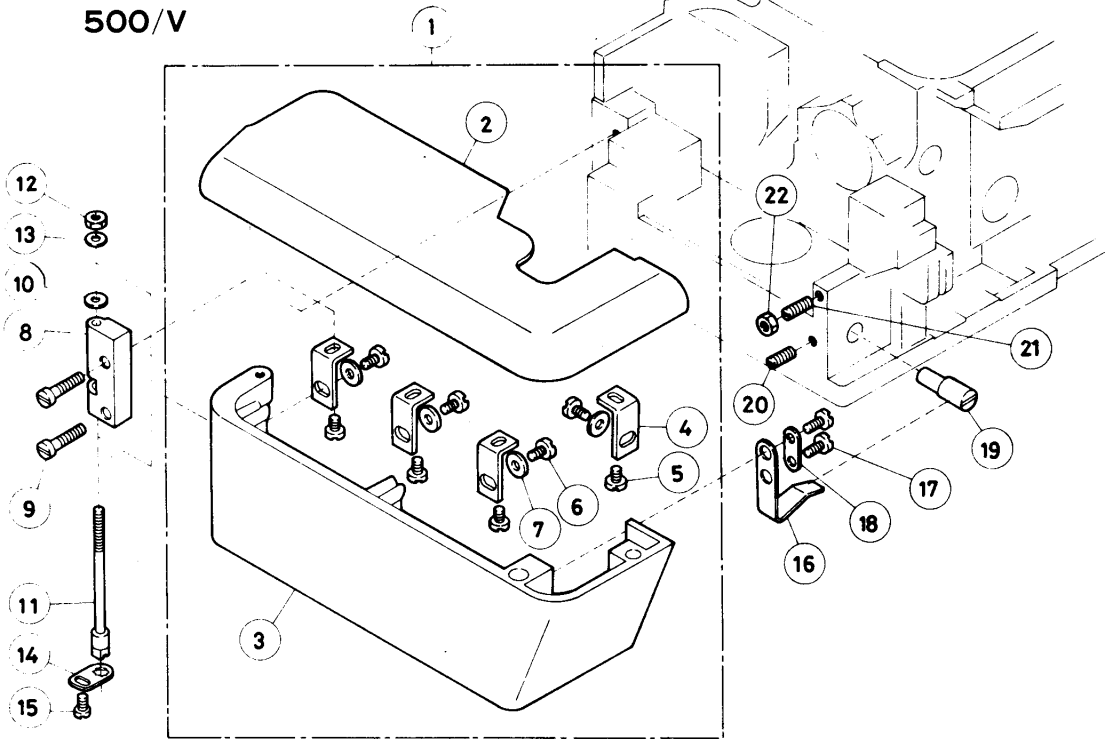
2-needle 514/V without HR Device

1-needle 503/V, 504/V with HR Device

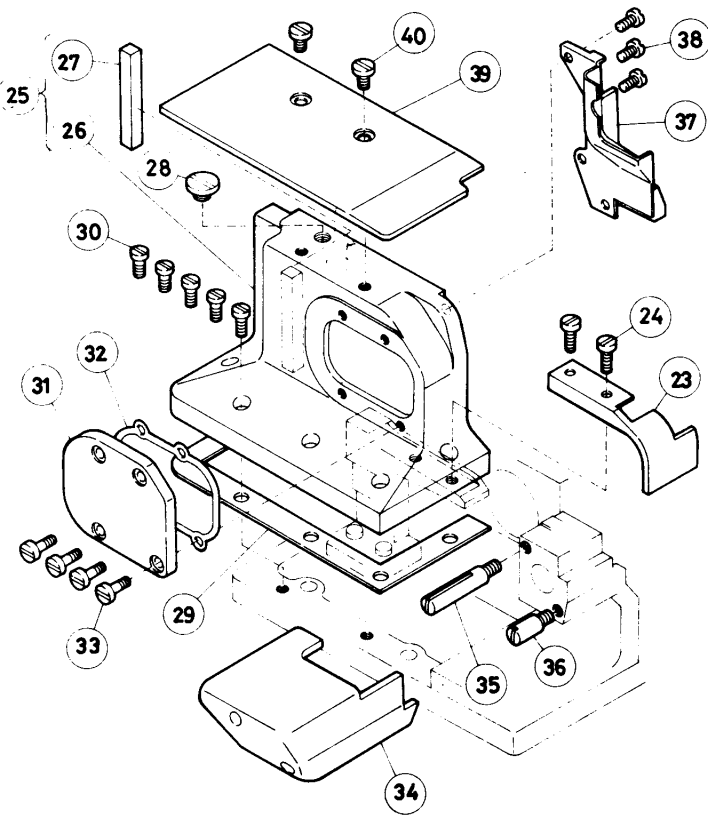
# COVERS(1)

REF. NO.	PART NO.	NEW PRODUCT CODE NO.	NAME	QT.
1	202686B-HD	323-510-156	TOP COVER	1
2	5059	323-600-111	SCREW	3
3	205694	323-510-157	NEEDLE BAR COVER	1
4	202653	323-620-240	HINGE PIN	2
5	202689	323-641-201	LOCK SPRING	1
6	1234	323-600-006	SCREW	2
7	201404	323-734-205	LATCH	1
8	4009-1	323-600-014	SCREW	1
9	208725		NAME PLATE	1
10	198192	323-627-020	CUSHION RUBBER	1
11	208747	323-561-032	EYE GUARD COMPLETE	1
12	205685	323-561-034	EYE GUARD	1
13	208744	323-740-070	EYE GUARD BRACKET COMPLETE	1
14	5003	323-600-227	SCREW	2
15	5099	323-630-009	NUT	2
16	167066	323-615-211	WASHER	2
17	208430	323-800-061	FACE PLATE	1
18	4009-1	323-600-014	SCREW	1
19	205767	323-510-158	REAR COVER	1
20	1206	323-600-021	SCREW	2
21	201200-FD	323-510-159	FRONT COVER (RIGHT)	1
22	201201	323-728-003	HINGE	1
23	1216	323-600-068	SCREW	2
24	201202	323-620-011	PIN	1
25	201203	323-643-005	LOCK SPRING	1
26	1216	323-600-068	SCREW	1
27	202660	323-560-201	CHIP GUARD	1
28	205399	323-758-005	FRONT COVER EXTENSION	1
29	2921	323-600-026	SCREW	2
30	202680	323-560-229	CHIP GUARD	1
31	202750	323-560-073	CHIP GUARD	1
32	202755	323-560-074	CHIP GUARD	1
33	202741	323-560-075	CHIP GUARD	1
34	205398	323-560-049	CHIP GUARD	1
35	1216	323-600-068	SCREW	1
36	2905	323-600-074	SCREW	1
37	202937	323-510-020	COVER	1
38	205296	323-510-025	COVER	1
39	1216	323-600-068	SCREW	2
40	205400	323-510-080	UPPER LOOPER COVER	1
41	1216	323-600-068	SCREW	1
42	202942	323-800-024	THREAD PLATE	1
43	1216	323-600-068	SCREW	3
44	202651A	323-560-076	FABRIC GUARD	1
45	202796	323-560-233	FABRIC GUARD	1
46	205518	323-560-056	FABRIC GUARD	1
47	1216	323-600-068	SCREW	2
48	205714	323-510-160	FEED BAR COVER	1
49	205544	323-600-446	SCREW	1
50	201191	323-615-015	WASHER	3
51	205545	323-641-009	FLAT SPRING	1
52	205859	323-625-019	STOPPER	1
53	1216	323-600-068	SCREW	1

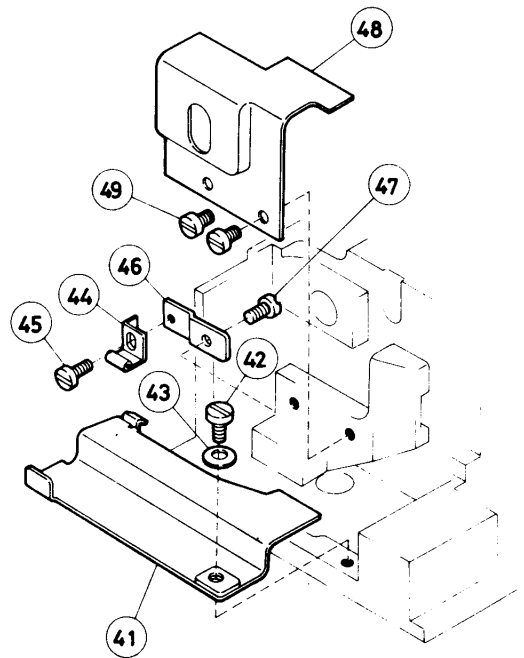
500/V



504/V-71,512/V-79



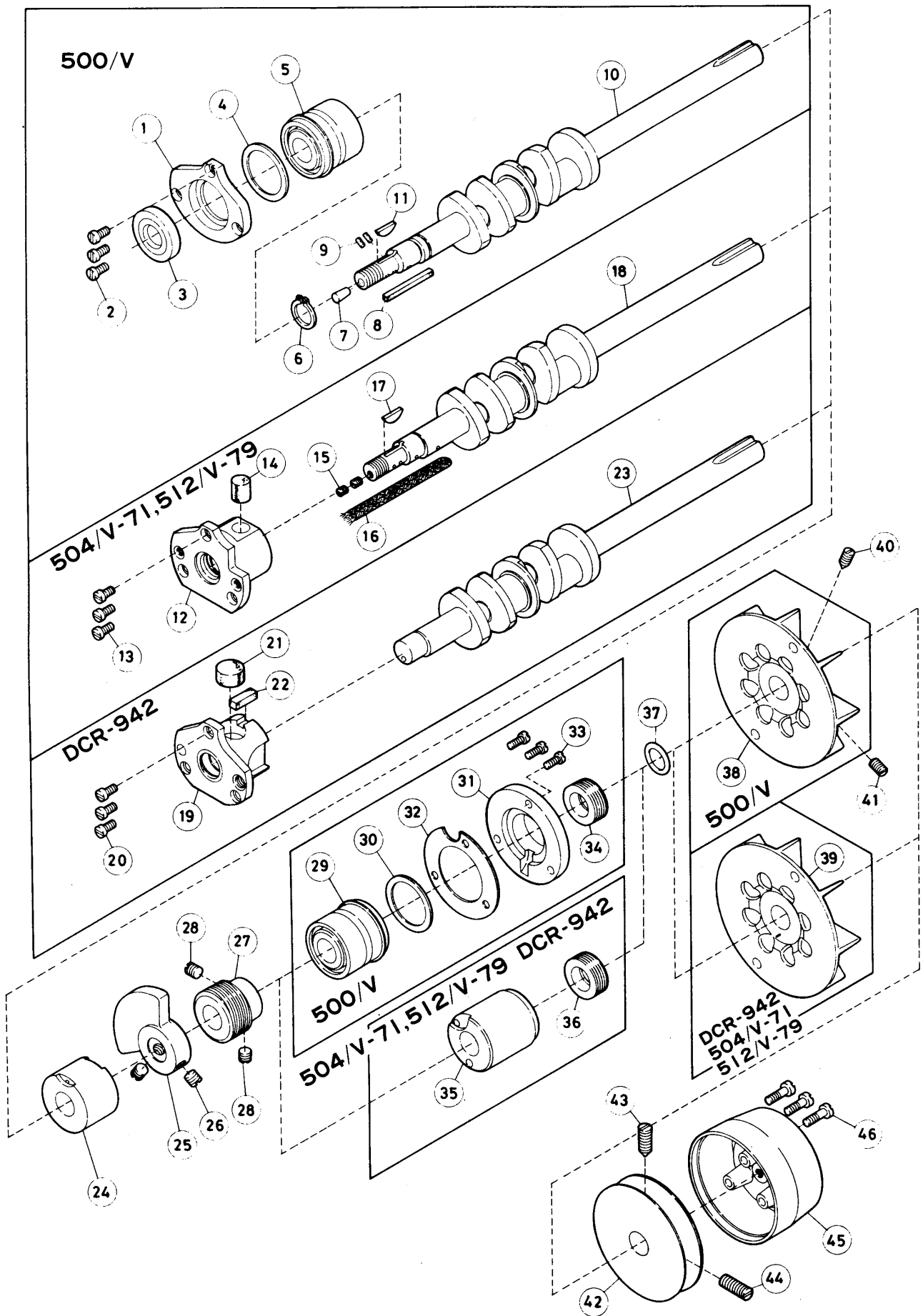
DCR-942





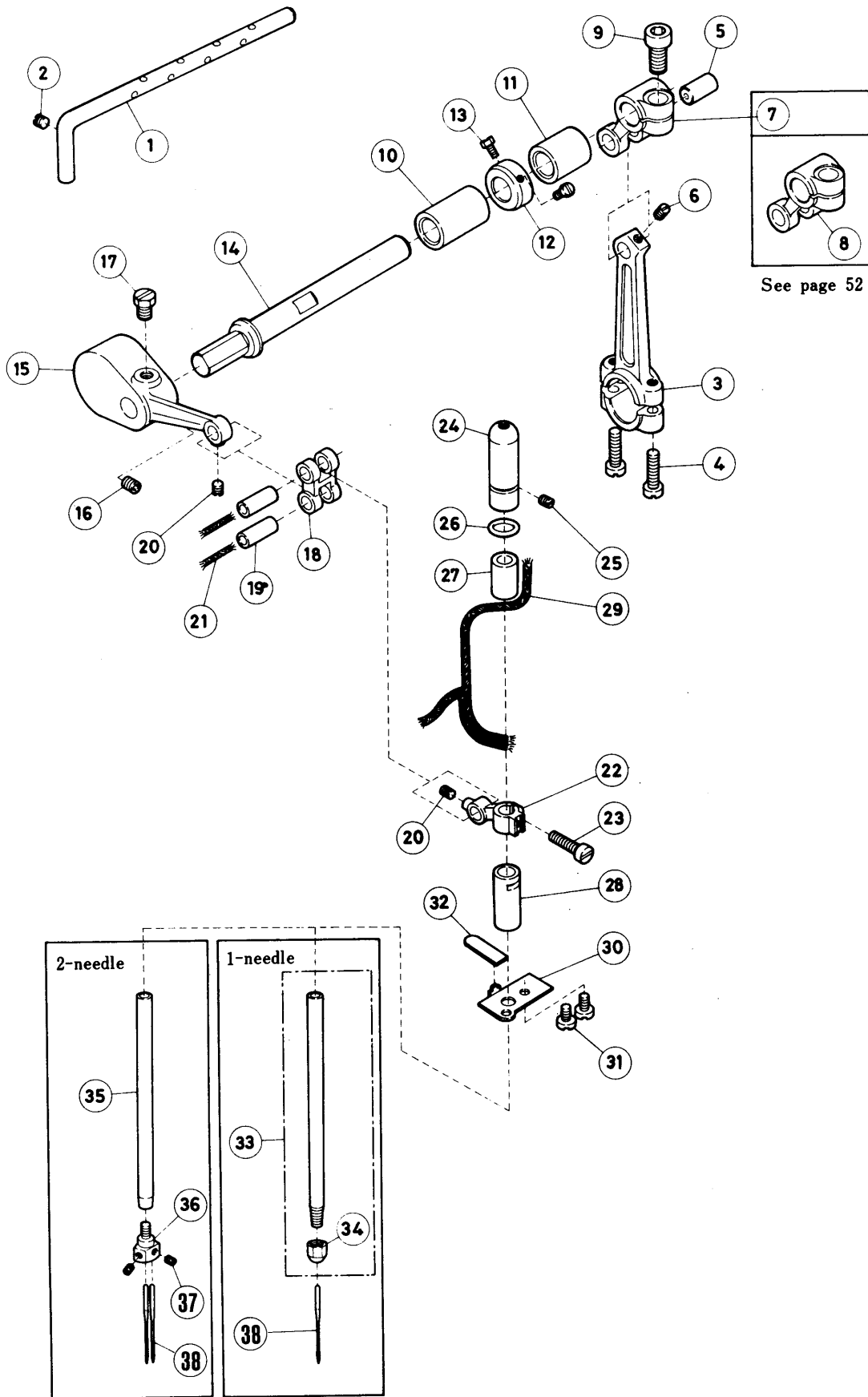
## COVERS(2)

REF. NO.	PART NO.	NEW PRODUCT CODE NO.	NAME	QT.
1	202466	323-900-003	CLOTH PLATE COMPLETE	1
2	201181C	323-802-001	CLOTH PLATE	1
3	202467-FD	323-510-161	SIDE COVER	1
4	201184	323-740-006	BRACKET	4
5	1216	323-600-068	SCREW	4
6	1202	323-600-032	SCREW	4
7	201185	323-615-012	WASHER	4
8	200159A	323-728-208	HINGE	1
9	5095	323-600-038	SCREW	2
10	200183	323-618-007	THRUST WASHER	1
11	201221A	323-620-207	HINGE PIN	1
12	5099	323-630-009	NUT	1
13	200821	323-615-013	WASHER	1
14	202865	323-625-200	STOPPER	1
15	5293	323-600-357	SCREW	1
16	201186	323-643-003	FLAT SPRING	1
17	1216	323-600-068	SCREW	2
18	200162A	323-615-049	WASHER	1
19	200163A	323-734-206	LATCH PIN	1
20	1435	323-600-069	SCREW	1
21	1435	323-600-069	SCREW	1
22	3044	323-630-001	NUT	1
23	205382	323-510-082	FEED ECCENTRIC COVER	1
24	1216	323-600-068	SCREW	2
25	205387	323-510-083	FEED BAR COVER COMPLETE	1
26	205388-FD	323-510-162	FEED BAR COVER	1
27	205389	323-560-050	OIL SHIELD	1
28	5434	323-600-368	SCREW	2
29	205390	323-663-026	GASKET	1
30	2213-1	323-600-056	SCREW	5
31	205391	323-800-059	COVER PLATE/FEED ECCENTRIC	1
32	205392	323-663-027	O RING	1
33	1326	323-600-268	SCREW	4
34	205393	323-510-085	LOOPER COVER	1
35	205394	323-620-037	PIN (LONG)	1
36	205395	323-620-038	PIN (SHORT)	1
37	205383	323-510-081	LOWER LOOPER COVER	1
38	5142	323-600-054	SCREW	3
39	205396	323-802-013	CLOTH PLATE	1
40	4009-1	323-600-014	SCREW	2
41	205836-FD	323-560-077	OIL SHIELD	1
42	5422	323-600-439	SCREW	1
43	211301	323-616-004	SPRING WASHER	1
44	205840	323-641-010	FLAT SPRING	1
45	1234	323-600-006	SCREW	1
46	205841	323-740-199	BRACKET	1
47	5117	323-600-057	SCREW	1
48	202439-FD	323-510-163	FEED BAR COVER	1
49	5117	323-600-057	SCREW	2



## CRANKSHAFT MECHANISM

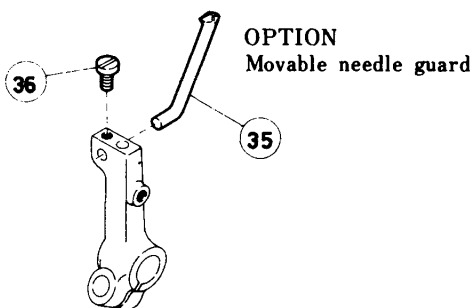
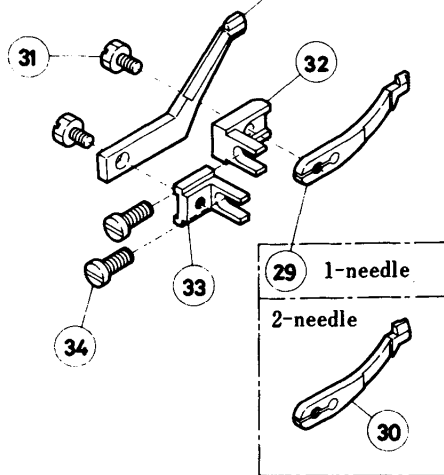
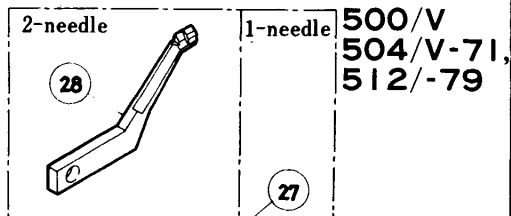
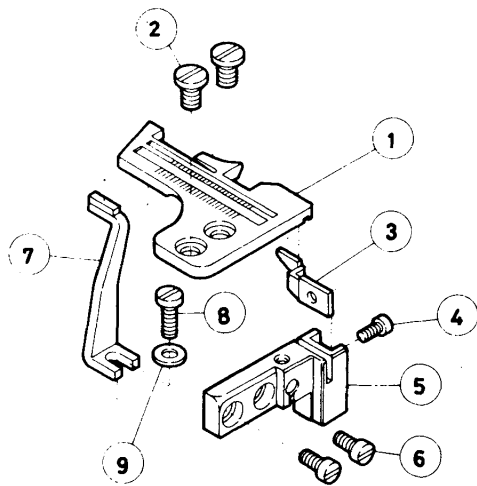
REF. NO.	PART NO.	NEW PRODUCT CODE NO.	NAME	QT.
1	202940	323-686-007	RETAINER	1
2	1175-2	323-600-002	SCREW	3
3	202908	323-634-002	OIL SEAL	1
4	202907	323-634-003	PACKING	1
5	202902	323-672-001	NEEDLE BEARING	1
6	202901	323-686-004	RETAINING RING	1
7	202903	323-627-208	PLUG	1
8	202990	323-653-010	OIL FELT	1
9	202081	323-653-003	OIL FELT	2
10	205261	323-540-013	CRANKSHAFT	1
11	201009	323-649-001	KEY	1
12	205402A	323-676-055	BUSHING (LEFT)	1
13	1175-2	323-600-002	SCREW	3
14	205448	323-653-020	OIL FELT	1
15	1892	323-600-033	SCREW	2
16	202175	325-653-204	OIL WICK	1
17	201009	323-649-001	KEY	1
18	205401	323-540-030	CRANKSHAFT	1
19	205846	323-676-090	BUSHING (LEFT)	1
20	1175-2	323-600-002	SCREW	3
21	204273	323-653-208	OIL FELT	1
22	202864	323-653-200	OIL FELT	1
23	202730	323-540-066	CRANKSHAFT	1
24	201212D	323-676-091	BUSHING (CENTER)	1
25	201010A	323-579-001	COUNTERWEIGHT	1
26	5060	323-600-004	SCREW	2
27	201298	323-765-001	WORM	1
28	5060	323-600-004	SCREW	2
29	202902	323-672-001	NEEDLE BEARING	1
30	205526		OIL SEAL RING	1
31	205700	323-686-017	RETAINER	1
32	202905	323-663-008	GASKET	1
33	1175-2	323-600-002	SCREW	3
34	205701	323-560-078	OIL SHIELD	1
35	205720	323-676-092	BUSHING (RIGHT)	1
36	205713	323-560-079	OIL SHIELD	1
37	208272	323-632-002	O RING	1
38	205698	323-568-010	FAN	1
39	205711	323-568-011	FAN	1
40	5149A	323-600-066	SCREW	1
41	1458	323-600-037	SCREW	1
42	201017A	323-546-001	PULLEY	1
43	5080	323-600-008	SCREW	1
44	5081	323-600-009	SCREW	1
45	205471	323-780-027	PULLEY CAP	1
46	5010	323-600-010	SCREW	3



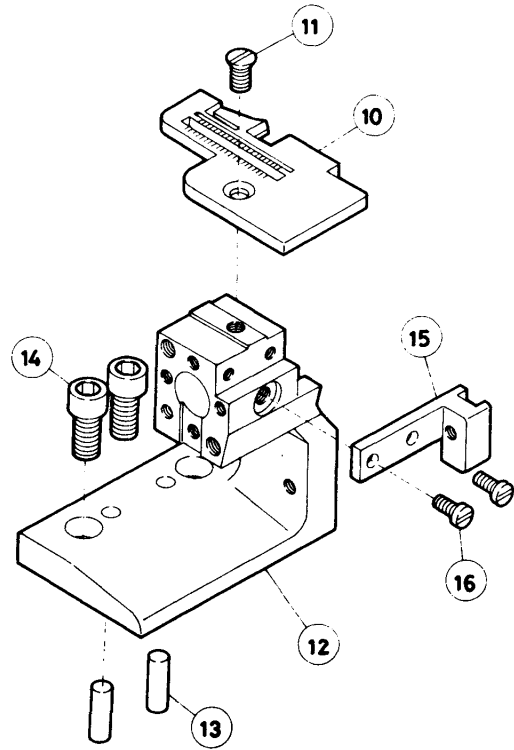
# NEEDLE DRIVE MECHANISM(1)

REF. NO.	PART NO.	NEW PRODUCT CODE NO.	NAME	QT.
1	202999	323-851-003	THREAD GUIDE	1
2	5185	323-600-303	SCREW	1
3	202605	323-535-210	CONNECTION	1
4	5233	323-600-296	SCREW	2
5	205495	323-620-040	PIN	1
6	5234	323-600-297	SCREW	1
7	201360B	323-576-010	CRANK (REAR)	1
8	201441B	323-576-011	CRANK (REAR)	1
9	5381	323-600-136	SCREW	1
10	201356A	323-676-253	BUSHING (LEFT)	1
11	201115A	323-676-230	BUSHING (RIGHT)	1
12	201117	323-618-006	COLLAR	1
13	5328	323-600-092	SCREW	2
14	202606	323-540-239	SHAFT	1
15	208424	323-576-017	NEEDLE BAR DRIVE CRANK	1
16	5312	323-600-351	SCREW	1
17	2022-4	323-600-022	SCREW	1
18	208425	323-730-012	LINK	1
19	200654	323-620-206	PIN	2
20	5292	323-600-341	SCREW	2
21	202176	323-653-005	OIL WICK	2
22	208427	323-683-018	NEEDLE BAR CLAMP	1
23	1170-3	323-600-046	SCREW	1
24	208621	323-780-012	CAP	1
25	1457	323-600-012	SCREW	1
26	200030	323-634-204	RUBBER RING	1
27	204625A	323-676-025	BUSHING (UPPER)	1
28	204627	323-676-026	BUSHING (LOWER)	1
29	202176	323-653-005	OIL WICK	2
30	205697	323-560-080	DUST GUARD	1
31	5053	323-600-015	SCREW	2
32	208617	323-653-019	OIL RELEASE FELT	1
33	204623	323-591-003	NEEDLE BAR COMPLETE	1
34	3119	323-630-213	NUT	1
35	208903	323-591-011	NEEDLE BAR	1
36	208905	323-843-014	NEEDLE HOLDER/2MM	1
37	5292	323-600-341	SCREW	2
38	DCX27		NEEDLE	

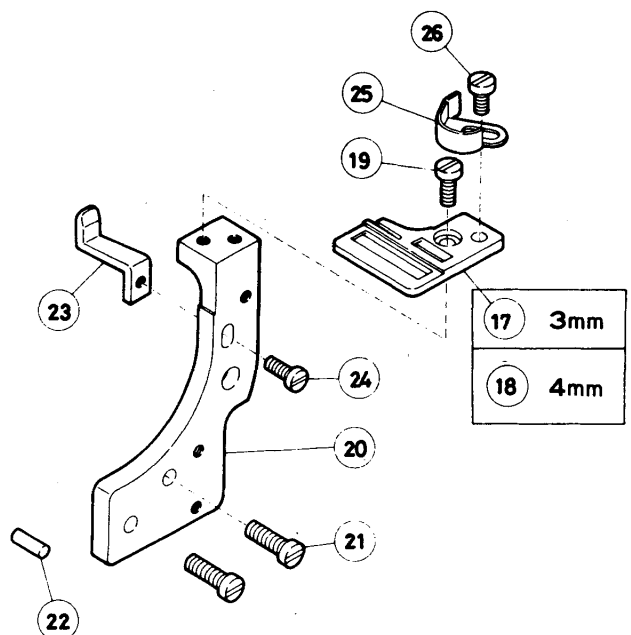
500/V



504/V-71, 512/V-79

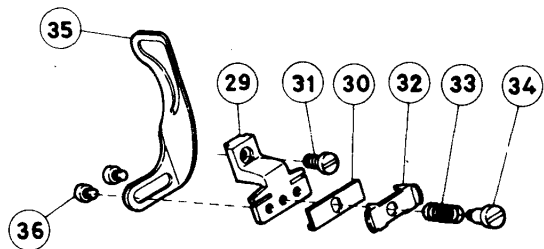
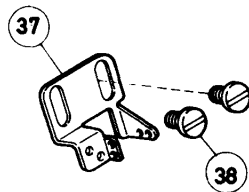
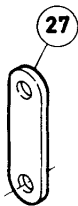
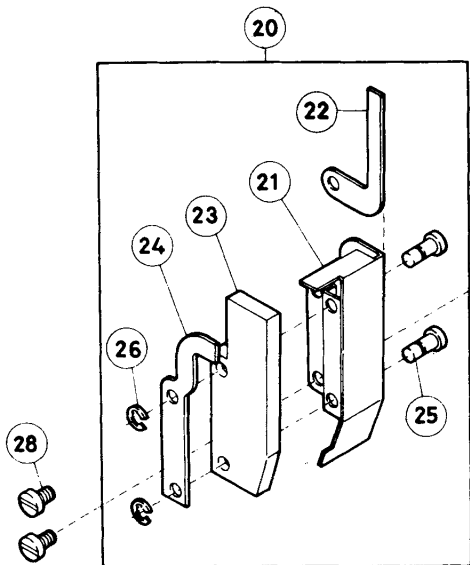
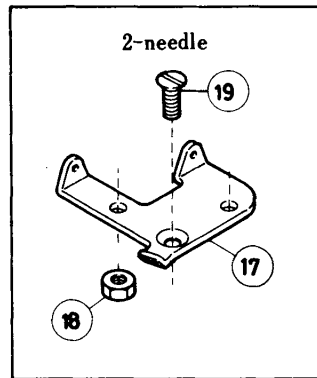
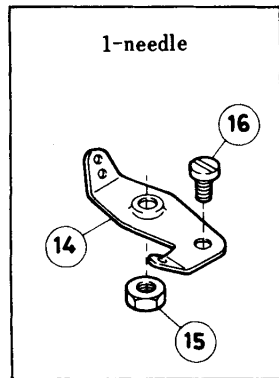
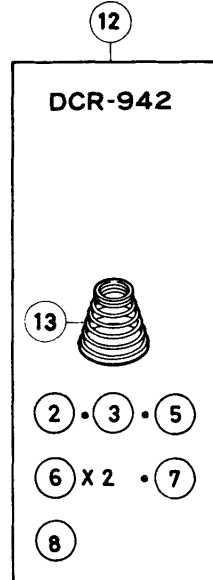
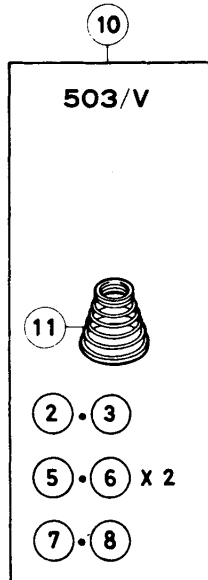
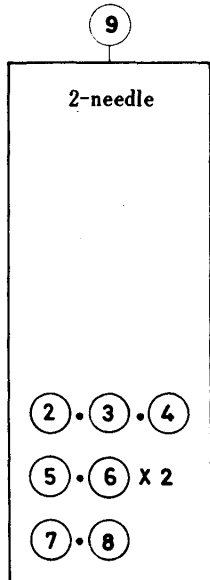
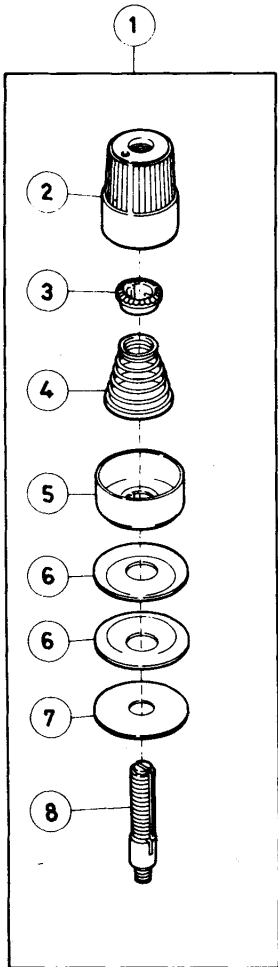


DCR-942



## NEEDLE DRIVE MECHANISM(2)

REF. NO.	PART NO.	NEW PRODUCT CODE NO.	NAME	QT.
1	XXXXXX		NEEDLE PLATE	1
2	4009-1HC	323-600-445	SCREW	2
3	201034A	323-649-002	KEY	1
4	5053	323-600-015	SCREW	1
5	201092A	323-740-003	BRACKET	1
6	1175-2	323-600-002	SCREW	2
7	205479	323-800-119	SUPPORT	1
8	1175-3	323-600-019	SCREW	1
9	201252	323-615-003	WASHER	1
10	XXXXXX		NEEDLE PLATE	1
11	1732	323-600-075	SCREW	1
12	205406	323-740-057	BRACKET	1
13	206215	325-620-007	PIN	2
14	5381	323-600-136	SCREW	2
15	205407	323-740-300	BRACKET	1
16	1175-2	323-600-002	SCREW	2
17	202403	323-801-767	NEEDLE PLATE	1
18	205832	323-801-768	NEEDLE PLATE/4MM	1
19	1216	323-600-068	SCREW	1
20	202404	323-740-301	BRACKET	1
21	1156	323-600-200	SCREW	2
22	202405	323-620-116	PIN	1
23	202490	323-561-060	NEEDLE GUARD	1
24	1175-2	323-600-002	SCREW	1
25	202437	323-440-010	GUIDE	1
26	1216	323-600-068	SCREW	1
27	202474A	323-561-214	NEEDLE GUARD (REAR)	1
28	202688A	323-561-217	NEEDLE GUARD (REAR)	1
29	201453	323-561-062	NEEDLE GUARD (FRONT)	1
30	201454B	323-561-028	NEEDLE GUARD (FRONT)	1
31	5364	323-600-105	SCREW	2
32	202491	323-685-226	BRACKET	1
33	202724	323-740-225	BRACKET	1
34	1175-3	323-600-019	SCREW	2
35	202749	323-561-035	MOVABLE NEEDLE GUARD	1
36	1186	323-600-246	SCREW	1

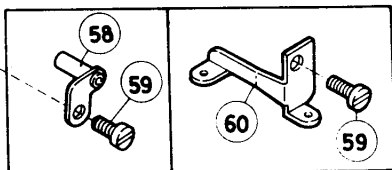
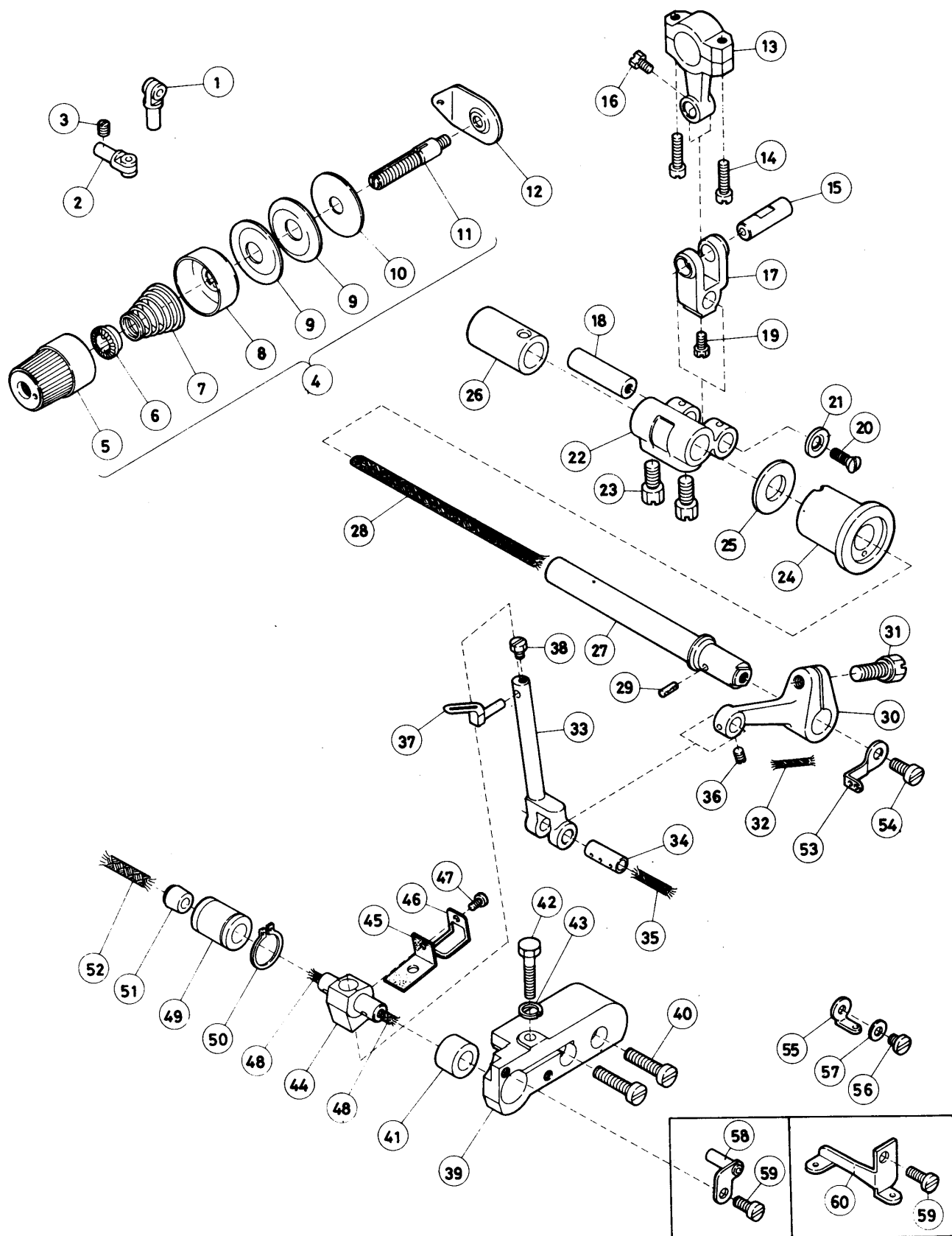


REF. NO.	MACHINE	QT.
①	504/V. 504/V-71.	1
⑨	514/V. 512/V-79.	2
⑩	503/V	1
⑫	DCR-942	1



# NEEDLE DRIVE MECHANISM(3)

REF. NO.	PART NO.	NEW PRODUCT CODE NO.	NAME	QT.
1	208488	323-900-045	THREAD TENSION COMPLETE	1
2	208447	323-630-033	POST NUT	1
3	208448	323-676-047	SPRING BUSHING	1
4	201037	323-642-001	TENSION SPRING (HEAVY)	1
5	208450	323-780-010	CAP	1
6	201482	323-613-001	DISC	2
7	208449	323-650-001	FELT	1
8	5082A	323-604-201	POST	1
9	208488	323-900-045	THREAD TENSION COMPLETE	2
10	208489	323-900-046	THREAD TENSION COMPLETE	1
11	201086	323-642-003	TENSION SPRING (MEDIUM)	1
12	208490	323-900-047	THREAD TENSION COMPLETE	1
13	201068	323-642-002	TENSION SPRING (LIGHT)	1
14	205770	323-851-059	GUIDE	1
15	5137	323-630-202	NUT	1
16	4009-1	323-600-014	SCREW	1
17	201243A	323-740-010	BRACKET	1
18	5137	323-630-202	NUT	1
19	1732	323-600-075	SCREW	1
20	208568	323-510-089	COVER COMPLETE/NEEDLE BAR LINK	1
21	208560	323-510-090	COVER	1
22	208561	323-653-017	OIL FELT	1
23	208562	323-653-018	OIL FELT	1
24	208563	323-800-062	OIL FELT PLATE	1
25	208713	323-620-043	PIN	2
26	200555	323-634-004	RETAINING RING	2
27	205703	323-615-068	WASHER	1
28	5117	323-600-057	SCREW	2
29	202705A	323-740-016	RETAINER BRACKET	1
30	202495	323-850-021	GUIDE	1
31	5359	323-600-091	SCREW	1
32	200041	323-850-221	GUIDE	1
33	200205	323-640-203	SPRING	1
34	9070-2	323-600-224	SCREW	1
35	202706A	323-866-214	THREAD TAKEUP	1
36	5299	323-600-300	SCREW	2
37	208777	323-851-047	NEEDLE THREAD GUIDE	1
38	4009-1	323-600-014	SCREW	1

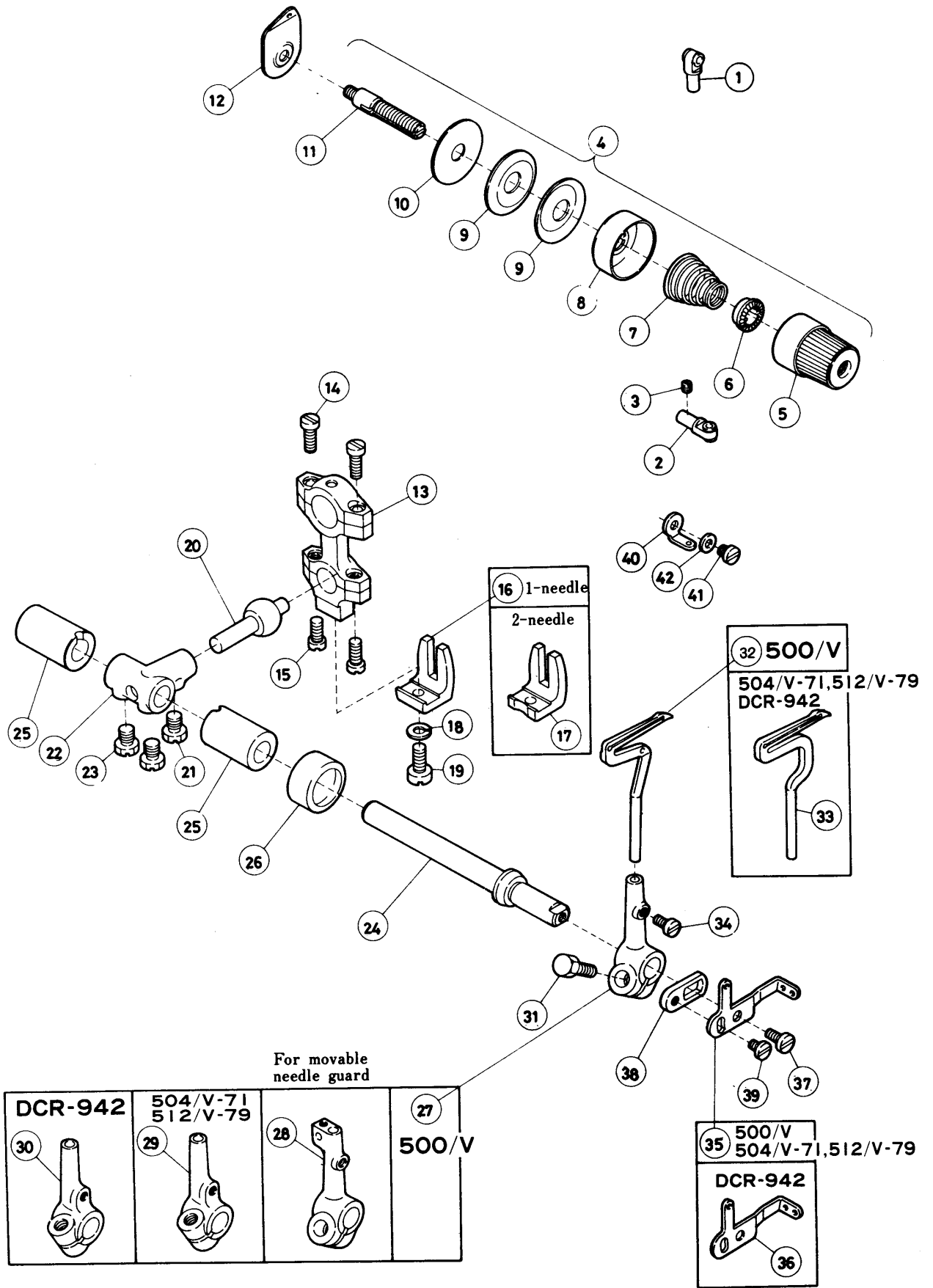


504/V-71,  
512/V-79  
DCR-942

For movable  
needle guard

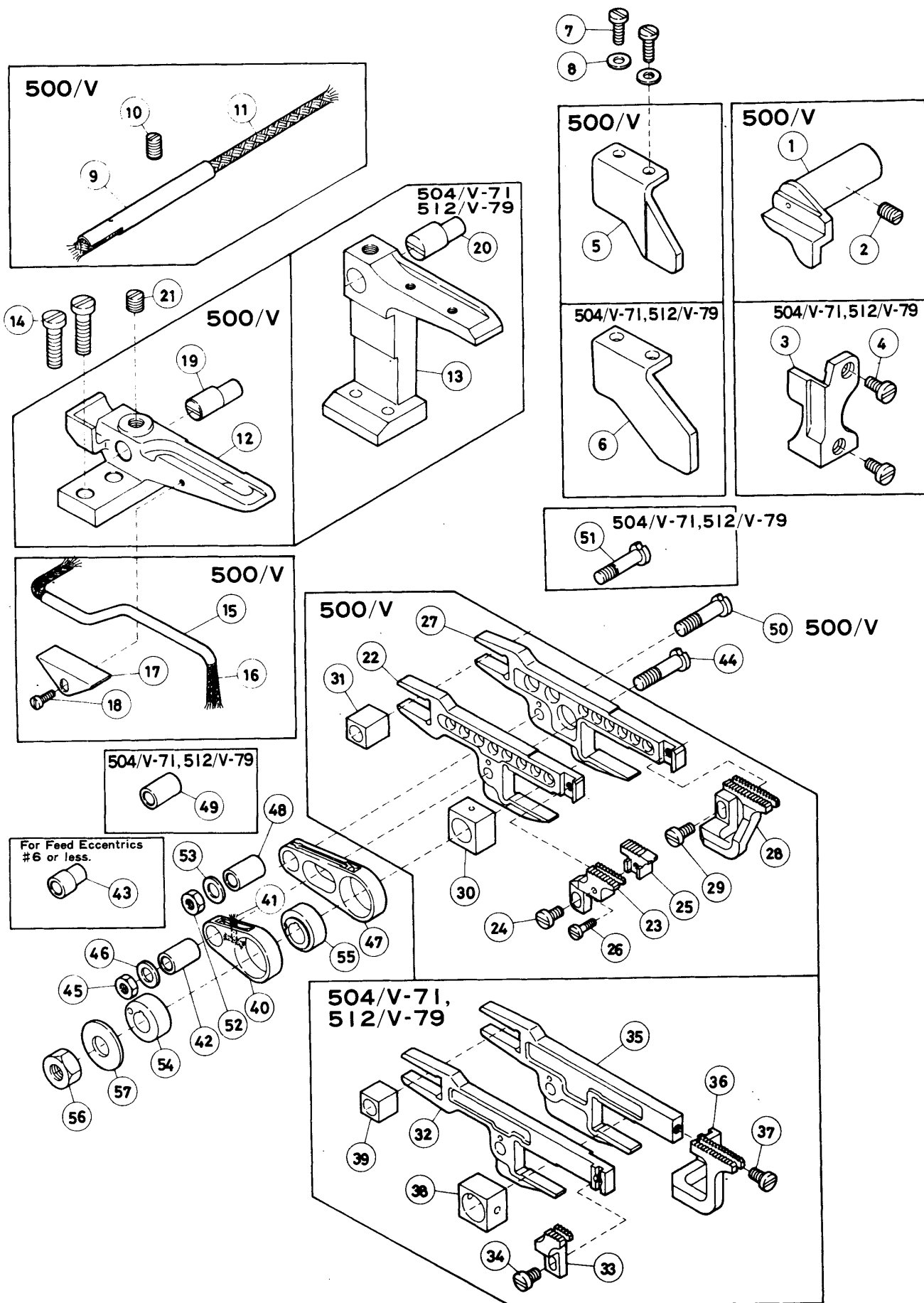
# UPPER LOOPER DRIVE MECHANISM

REF. NO.	PART NO.	NEW PRODUCT CODE NO.	NAME	QT.
1	201048A	323-860-200	THREAD EYELET	1
2	201048A	323-860-200	THREAD EYELET	1
3	1459	323-600-034	SCREW	1
4	208490	323-900-047	THREAD TENSION COMPLETE	1
5	208447	323-630-033	TENSION NUT	1
6	208448	323-676-047	SPRING BUSHING	1
7	201068	323-642-002	TENSION SPRING (LIGHT)	1
8	208450	323-780-010	CAP	1
9	201482	323-613-001	DISC	2
10	208449	323-650-001	FELT	1
11	5082A	323-604-201	POST	1
12	202849	323-800-215	TENSION GUIDE PLATE	1
13	202619A	323-525-227	CONNECTION	1
14	5002	323-600-011	SCREW	2
15	205495	323-620-040	PIN	1
16	5084	323-600-013	SCREW	1
17	202709A	323-730-209	LINK	1
18	202712A	323-620-238	PIN	1
19	5084	323-600-013	SCREW	1
20	5373	325-600-001	SCREW	1
21	202757A	323-617-002	WASHER	1
22	202710A	323-576-214	CRANK	1
23	2022-4	323-600-022	SCREW	2
24	202623A	323-676-228	BUSHING	1
25	202922	323-618-009	WASHER	1
26	210125	323-676-067	BUSHING (REAR)	1
27	202622B	323-540-223	SHAFT	1
28	202178	323-653-012	OIL WICK	1
29	202081	323-653-003	OIL WICK	1
30	202626A	323-540-227	CRANKSHAFT	1
31	5219	323-600-290	SCREW	1
32	202176	323-653-005	OIL WICK	1
33	202827	323-530-223	UPPER LOOPER HOLDER	1
34	202625	323-620-234	PIN	1
35	202176	323-653-005	OIL WICK	1
36	5146	323-600-264	SCREW	1
37	XXXXXX		UPPER LOOPER	1
38	5220	323-600-291	SCREW	1
39	205408	323-740-058	BASE	1
40	5095	323-600-038	SCREW	2
41	202917	323-676-021	BUSHING (FRONT)	1
42	5305	323-600-094	SCREW	1
43	202286	323-617-200	WASHER	1
44	202914	323-850-019	GUIDE	1
45	202915	323-653-009	OIL WICK	1
46	202916	323-800-023	PLATE	1
47	1231	323-600-051	SCREW	1
48	202177	323-653-212	OIL WICK	2
49	202919	323-676-022	BUSHING (REAR)	1
50	202920	323-633-001	RING	1
51	202921	323-627-002	PLUG	1
52	202174	323-653-013	OIL WICK	1
53	202631A	323-866-216	THREAD TAKEUP	1
54	5064	323-600-025	SCREW	1
55	201089	323-860-006	THREAD GUIDE	1
56	5519	323-600-414	SCREW	1
57	202875	323-615-216	WASHER	1
58	205441	323-639-033	THREAD TUBE	1
59	5328	323-600-092	SCREW	1
60	205295	323-851-014	THREAD GUIDE	1



# LOWER LOOPER DRIVE MECHANISM

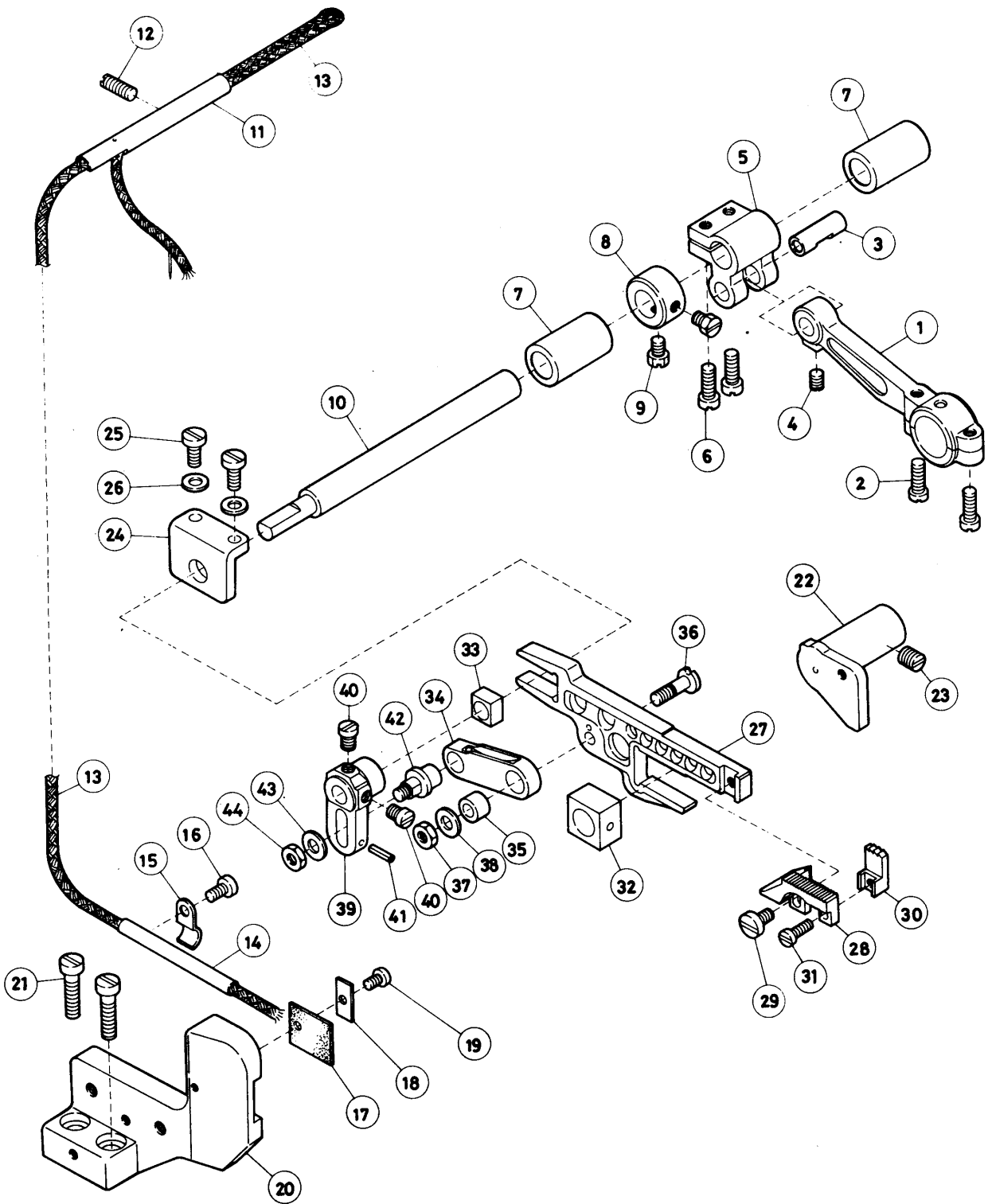
REF. NO.	PART NO.	NEW PRODUCT CODE NO.	NAME	QT.
1	201048A	323-860-200	THREAD EYELET	1
2	201048A	323-860-200	THREAD EYELET	1
3	1459	323-600-034	SCREW	1
4	208489	323-900-046	THREAD TENSION COMPLETE	1
5	208447	323-630-033	TENSION NUT	1
6	208448	323-676-047	SPRING BUSHING	1
7	201086	323-642-003	TENSION SPRING (MEDIUM)	1
8	208450	323-780-010	CAP	1
9	201482	323-613-001	DISC	2
10	208449	323-650-001	FELT	1
11	5082A	323-604-201	POST	1
12	202849	323-800-215	TENSION GUIDE PLATE	1
13	201073B	323-525-200	CONNECTION	1
14	5002	323-600-011	SCREW	2
15	1170-1	323-600-020	SCREW	2
16	201074A	323-850-200	CONNECTION GUIDE	1
17	202790	323-850-094	CONNECTION GUIDE	1
18	202286	323-617-200	WASHER	1
19	1156	323-600-200	SCREW	1
20	201075	323-604-004	BALL STUD	1
21	5048	323-600-028	SCREW	1
22	201079A	323-576-207	CRANK/LOWER LOOPER DRIVE	1
23	5048	323-600-028	SCREW	2
24	201080	323-540-004	SHAFT	1
25	205778	323-676-081	BUSHING	2
26	202923	323-686-006	RETAINER	1
27	201438A	323-685-239	LOWER LOOPER HOLDER	1
28	202728	323-847-002	LOWER LOOPER HOLDER	1
29	205409	323-530-030	LOWER LOOPER HOLDER	1
30	202736	323-847-003	LOWER LOOPER HOLDER	1
31	5274	323-600-263	SCREW	1
32	202703	323-810-222	LOWER LOOPER	1
33	202408	323-810-016	LOWER LOOPER	1
34	5328	323-600-092	SCREW	1
35	202633	323-866-217	THREAD TAKEUP	1
36	202732	323-866-028	THREAD TAKEUP	1
37	2921	323-600-026	SCREW	1
38	201088	323-740-002	BRACKET	1
39	1202	323-600-032	SCREW	1
40	201809	323-510-164	COVER	1
41	5519	323-600-414	SCREW	1
42	202875	323-615-216	WASHER	1



# FEED MECHANISM(1)

REF. NO.	PART NO.	NEW PRODUCT CODE NO.	NAME	QT.
1	202941B	323-850-058	FEED BAR GUIDE (FRONT)	1
2	2022-3	323-600-007	SCREW	1
3	205421A	323-850-052	FEED BAR GUIDE (FRONT)	1
4	5328	323-600-092	SCREW	2
5	201109	323-850-005	FEED BAR GUIDE (RIGHT)	1
6	205420	323-850-051	FEED BAR GUIDE (RIGHT)	1
7	1175-3	323-600-019	SCREW	2
8	167066	323-615-211	WASHER	2
9	201110	323-639-003	OIL TUBE	1
10	1435	323-600-069	SCREW	1
11	202181	323-653-016	OIL WICK	1
12	202201A	323-850-251	FEED BAR GUIDE (LEFT)	1
13	205422	323-850-053	FEED BAR GUIDE (LEFT)	1
14	5095	323-600-038	SCREW	2
15	202202	323-639-201	OIL TUBE	1
16	202176	323-653-005	OIL WICK	1
17	202203	323-685-200	HOLDER	1
18	1196	323-600-029	SCREW	1
19	202200	323-620-201	PIN	1
20	205419	323-620-039	PIN	1
21	2022	323-600-043	SCREW	1
22	201093A	323-593-001	MAIN FEED BAR	1
23	XXXXXX		MAIN FEED DOG	1
24	1202	323-600-032	SCREW	1
25	XXXXXX		AUX. FEED DOG	1
26	5086	323-600-035	SCREW	1
27	201096A	323-593-002	DIFF. FEED BAR	1
28	XXXXXX		DIFF. FEED DOG	1
29	1202	323-600-032	SCREW	1
30	205133	323-750-005	BLOCK/FEED BAR LIFT	1
31	205857	323-750-019	BLOCK/FEED BAR GUIDE	1
32	205410	323-593-008	MAIN FEED BAR	1
33	XXXXXX		MAIN FEED DOG	1
34	1202	323-600-032	SCREW	1
35	205414	323-593-009	DIFF. FEED BAR	1
36	XXXXXX		DIFF. FEED DOG	1
37	1175-2	323-600-002	SCREW	1
38	205417	323-750-008	BLOCK/FEED BAR LIFT	1
39	205418	323-750-009	BLOCK/FEED BAR GUIDE	1
40	205850	323-730-023	LINK	1
41	202175	325-653-204	OIL WICK	2
42	201099	323-676-013	BUSHING	1
43	201154	323-676-019	BUSHING	1
44	201100	323-600-036	SCREW	1
45	3044	323-630-001	NUT	1
46	200098	323-615-002	WASHER	1
47	201101	323-730-003	LINK	1
48	201099	323-676-013	BUSHING	1
49	206119	325-676-008	BUSHING	1
50	201100	323-600-036	SCREW	1
51	206120	325-600-012	SCREW	1
52	3044	323-630-001	NUT	1
53	200098	323-615-002	WASHER	1
54	XXXXXX		FEED ECCENTRIC	1
55	XXXXXX		FEED ECCENTRIC	1
56	5213	323-630-016	NUT	1
57	202924	323-615-023	WASHER	1

# DCR-942

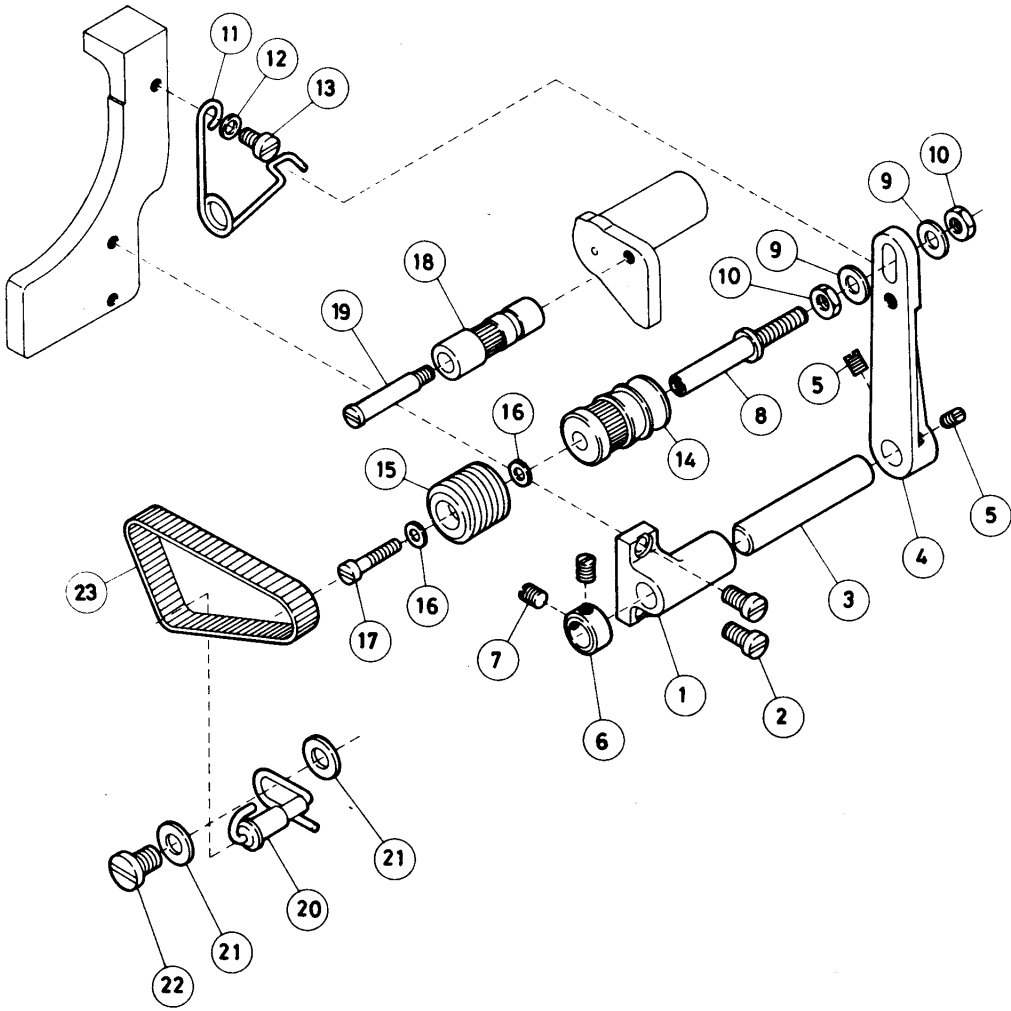




## FEED MECHANISM(2)

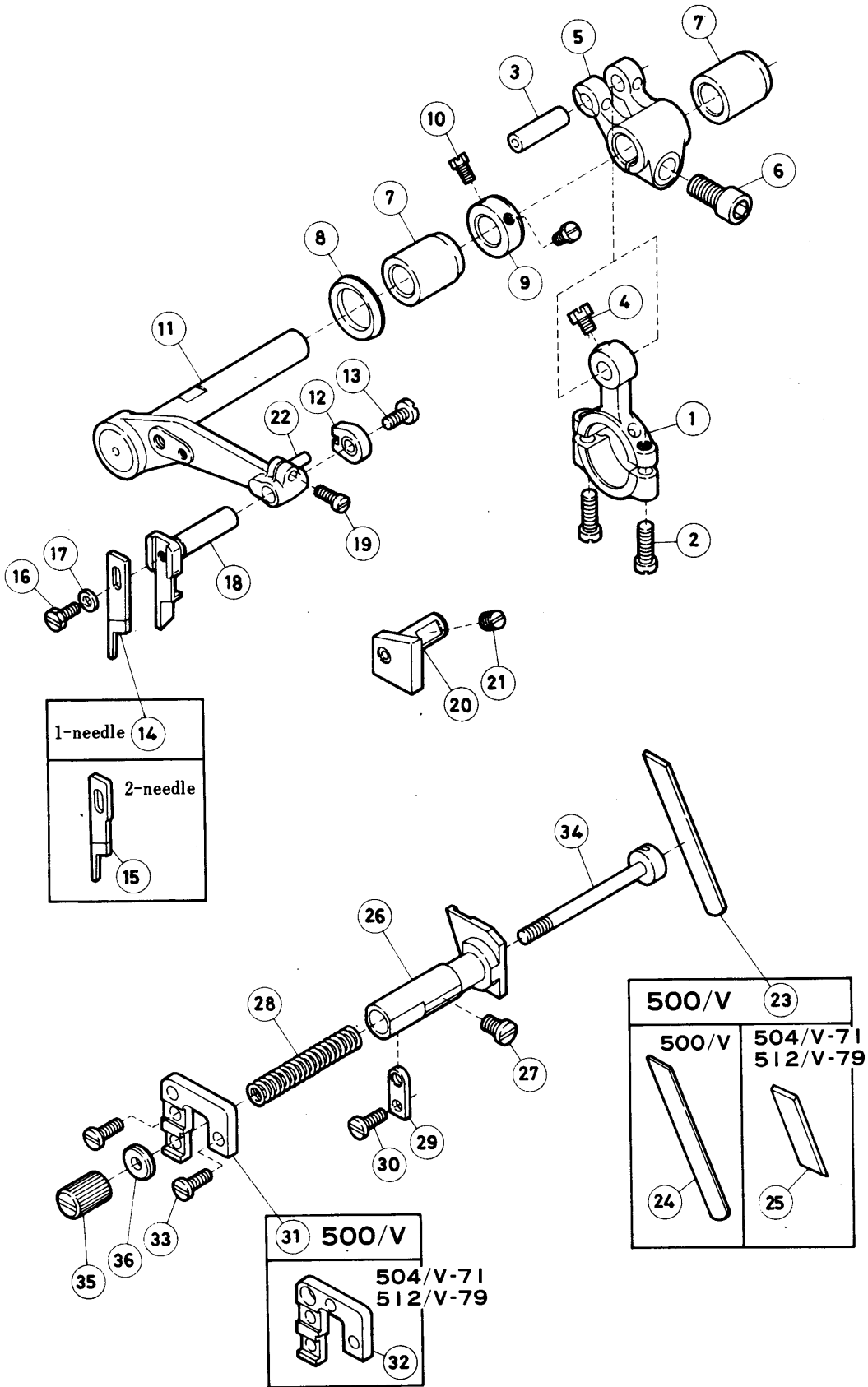
REF. NO.	PART NO.	NEW PRODUCT CODE NO.	NAME	QT.
1	202412	323-525-022	CONNECTION/FEED DRIVE	1
2	2213-1	323-600-056	SCREW	2
3	205495	323-620-040	PIN	1
4	1458	323-600-037	SCREW	1
5	202416	323-576-048	CRANK (RIGHT)/FEED DRIVE	1
6	5002	323-600-011	SCREW	2
7	202414A	323-676-093	BUSHING	2
8	201139	323-680-001	COLLAR	1
9	5084	323-600-013	SCREW	2
10	202413	323-540-067	SHAFT/FEED BAR	1
11	201110	323-639-003	OIL PIPE	1
12	1435	323-600-069	SCREW	1
13	202176	323-653-005	OIL WICK	1
14	205842	323-639-062	PIPE	1
15	200174	323-685-214	CLAMP	1
16	5091	323-600-257	SCREW	1
17	205843	323-650-005	OIL FELT	1
18	205844	323-683-031	CLAMP	1
19	1227	324-600-200	SCREW	1
20	205845	323-850-095	FEED BAR GUIDE (CENTER)	1
21	5095	323-600-038	SCREW	2
22	202420B	323-850-096	FEED BAR GUIDE (FRONT)	1
23	2022-3	323-600-007	SCREW	1
24	202422	323-850-097	FEED BAR GUIDE (REAR)	1
25	1175-3	323-600-019	SCREW	2
26	167066	323-615-211	WASHER	2
27	201096A	323-593-002	FEED BAR	1
28	202733	323-830-414	FEED DOG	1
29	1202	323-600-032	SCREW	1
30	202734	323-832-002	AUX. FEED DOG	1
31	5003	323-600-227	SCREW	1
32	205417	323-750-008	BLOCK/FEED BAR LIFT	1
33	201107	323-750-002	BLOCK/FEED BAR GUIDE	1
34	202417	323-730-024	CONNECTING LINK	1
35	202309	323-676-094	BUSHING	1
36	202310	323-600-205	SCREW	1
37	3044	323-630-001	NUT	1
38	200098	323-615-002	WASHER	1
39	202395A	323-576-049	CRANK (LEFT)/FEED DRIVE	1
40	2237	323-600-067	SCREW	2
41	202781	323-620-117	PIN	1
42	202418	323-620-118	PIN	1
43	200098	323-615-002	WASHER	1
44	3044	323-630-001	NUT	1

DCR-942



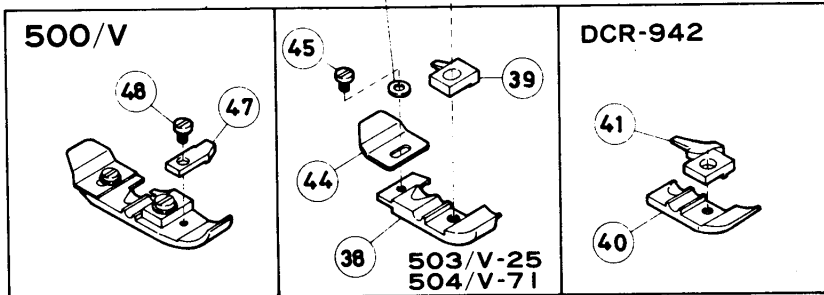
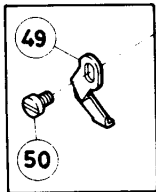
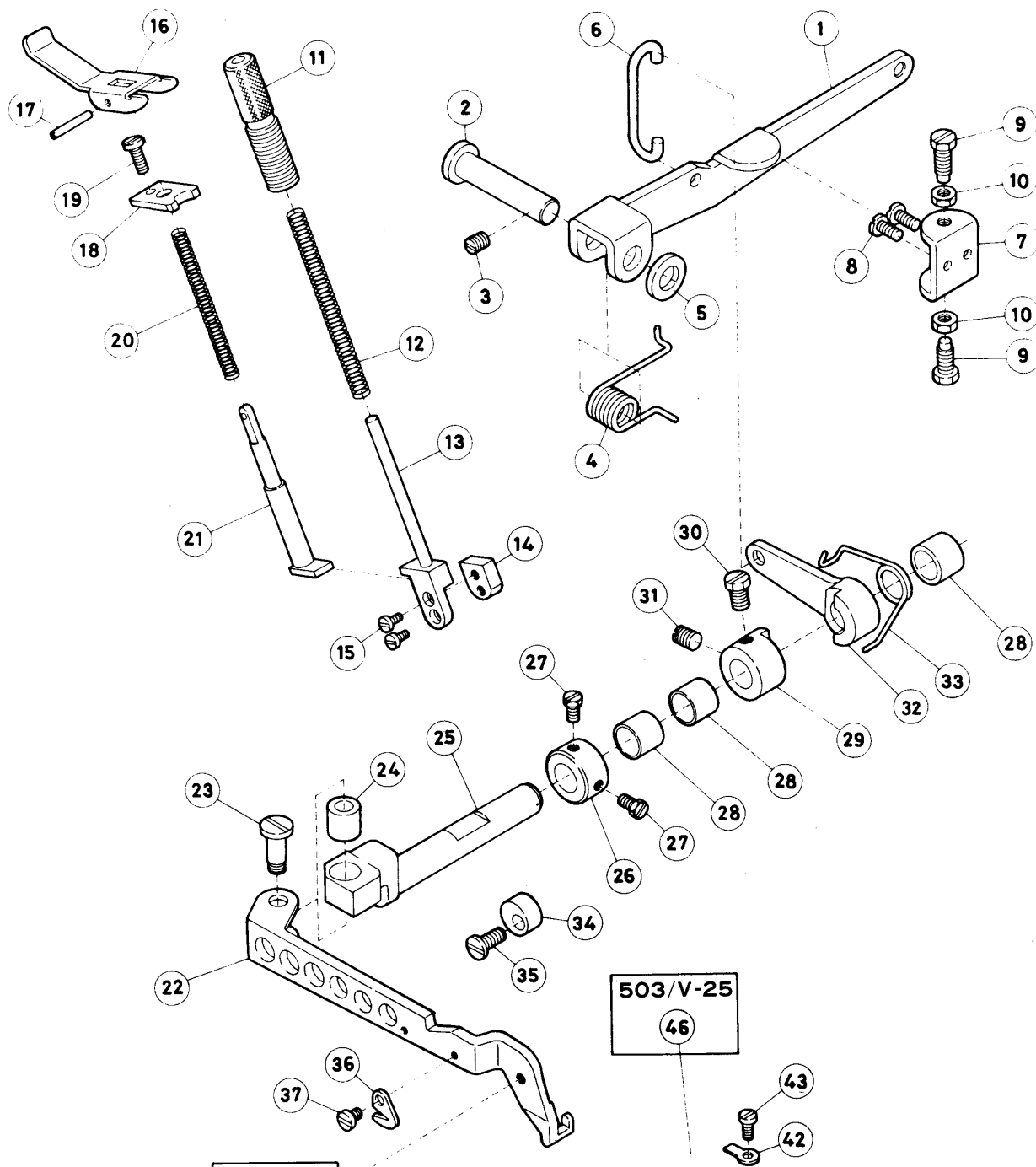
**FEED MECHANISM(3)  
FOR DCR-942 ONLY**

REF. NO.	PART NO.	NEW PRODUCT CODE NO.	NAME	QT.
1	202438	323-676-095	BUSHING	1
2	1174	323-600-027	SCREW	2
3	202426	323-620-119	PIN	1
4	202425	323-740-302	BRACKET	1
5	1457	323-600-012	SCREW	2
6	202427	323-680-021	COLLAR	1
7	1457	323-600-012	SCREW	2
8	202424	323-600-447	SCREW	1
9	201185	323-615-012	WASHER	2
10	3044	323-630-001	NUT	2
11	202428	323-643-012	SPRING	1
12	200821	323-615-013	WASHER	1
13	5053	323-600-015	SCREW	1
14	202423	323-720-006	FEED ROLLER (FRONT)	1
15	202429	323-765-003	WORM/FABRIC GUIDE	1
16	200821	323-615-013	WASHER	2
17	1175-2	323-600-002	SCREW	1
18	202430	323-720-007	FEED ROLLER (REAR)	1
19	202442	323-600-448	SCREW	1
20	202449	323-720-008	FEED ROLLER (LOWER)	1
21	202433	323-615-027	WASHER	2
22	5092	325-600-035	SCREW	1
23	202431-1	323-550-001	FEED BELT/118 PITCHES	1
24	202431-2	323-550-002	FEED BELT/123 PITCHES/YELLOW	1
25	202431-3	323-550-003	FEED BELT/128 PITCHES/RED	1
26	202431-4	323-550-004	FEED BELT/144 PITCHES/WHITE	1



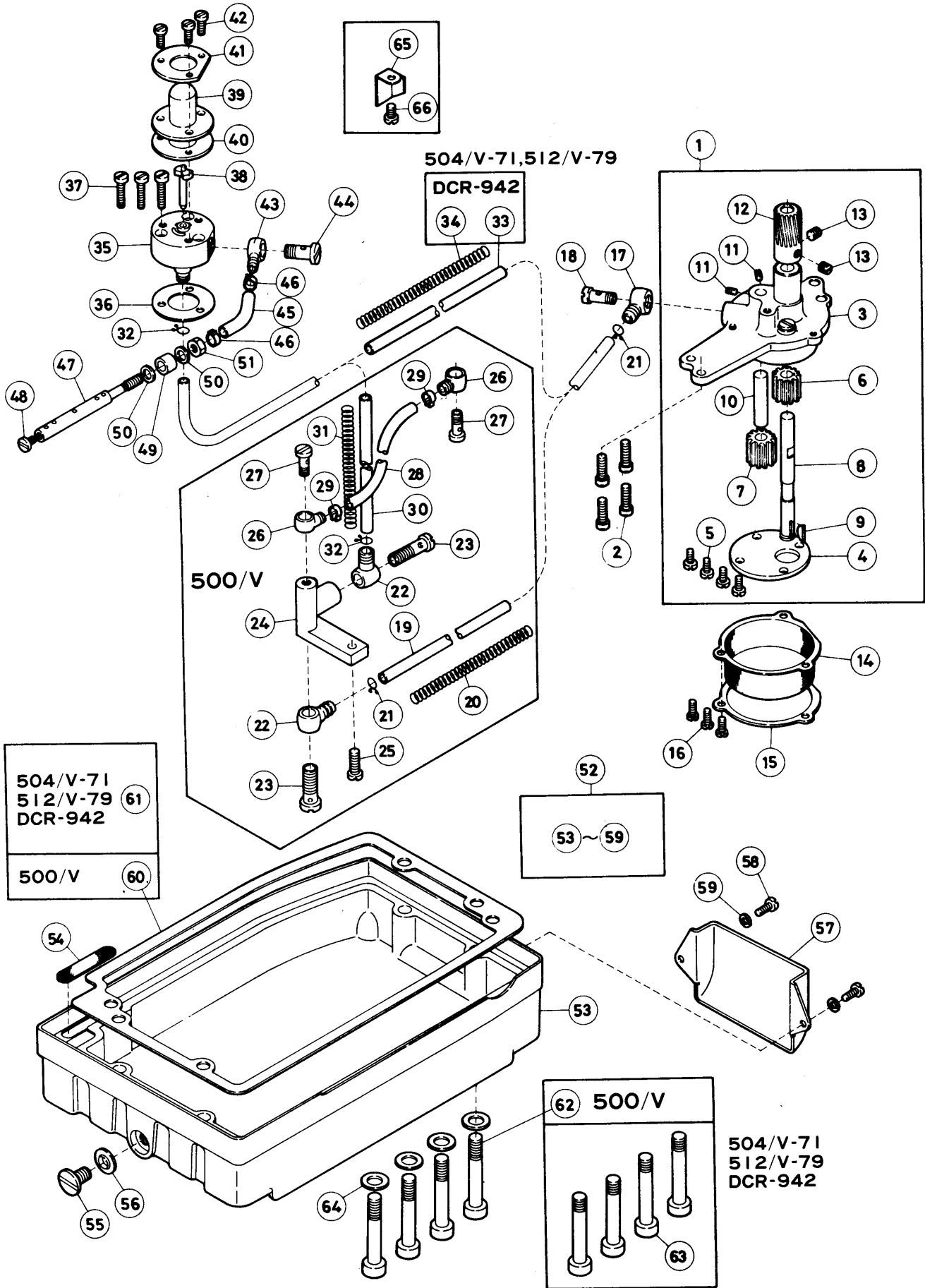
# UPPER AND LOWER KNIFE MECHANISM

REF. NO.	PART NO.	NEW PRODUCT CODE NO.	NAME	QT.
1	202925	323-525-007	CONNECTION/UPPER KNIFE DRIVE	1
2	5187	323-600-095	SCREW	2
3	205495	323-620-040	PIN	1
4	5084	323-600-013	SCREW	1
5	201381A	323-576-012	CRANK/UPPER KNIFE DRIVE	1
6	5381	323-600-136	SCREW	1
7	201115A	323-676-230	BUSHING	2
8	202927	323-634-001	OIL SEAL	1
9	201117	323-618-006	COLLAR	1
10	5328	323-600-092	SCREW	2
11	205292	323-530-019	LEVER	1
12	202638B	323-850-018	GUIDE	1
13	1189	323-600-301	SCREW	1
14	201121A	323-870-214	UPPER KNIFE	1
15	205258	323-870-007	UPPER KNIFE	1
16	5088	323-600-044	SCREW	1
17	211376	323-615-057	WASHER	1
18	202637B	323-685-004	UPPER KNIFE HOLDER	1
19	1175-2	323-600-002	SCREW	1
20	202639	323-502-211	GUIDE	1
21	2022	323-600-043	SCREW	1
22	201125	323-620-006	PIN	1
23	202295	323-870-210	LOWER KNIFE	1
24	201127	323-870-211	LOWER KNIFE	1
25	205423	323-870-006	LOWER KNIFE	1
26	202739	323-685-234	LOWER KNIFE HOLDER	1
27	4009-1	323-600-014	SCREW	1
28	201129	323-640-001	SPRING	1
29	201130A	323-686-001	RETAINER	1
30	1175-3	323-600-019	SCREW	1
31	201131A	323-850-008	GUIDE/LOWER KNIFE HOLDER	1
32	205424	323-850-054	GUIDE/LOWER KNIFE HOLDER	1
33	1175-3	323-600-019	SCREW	2
34	201132B	323-604-211	LOWER KNIFE CLAMP STUD	1
35	5260	323-630-203	NUT	1
36	201134	323-615-007	WASHER	1



# PRESSER FOOT MECHANISM

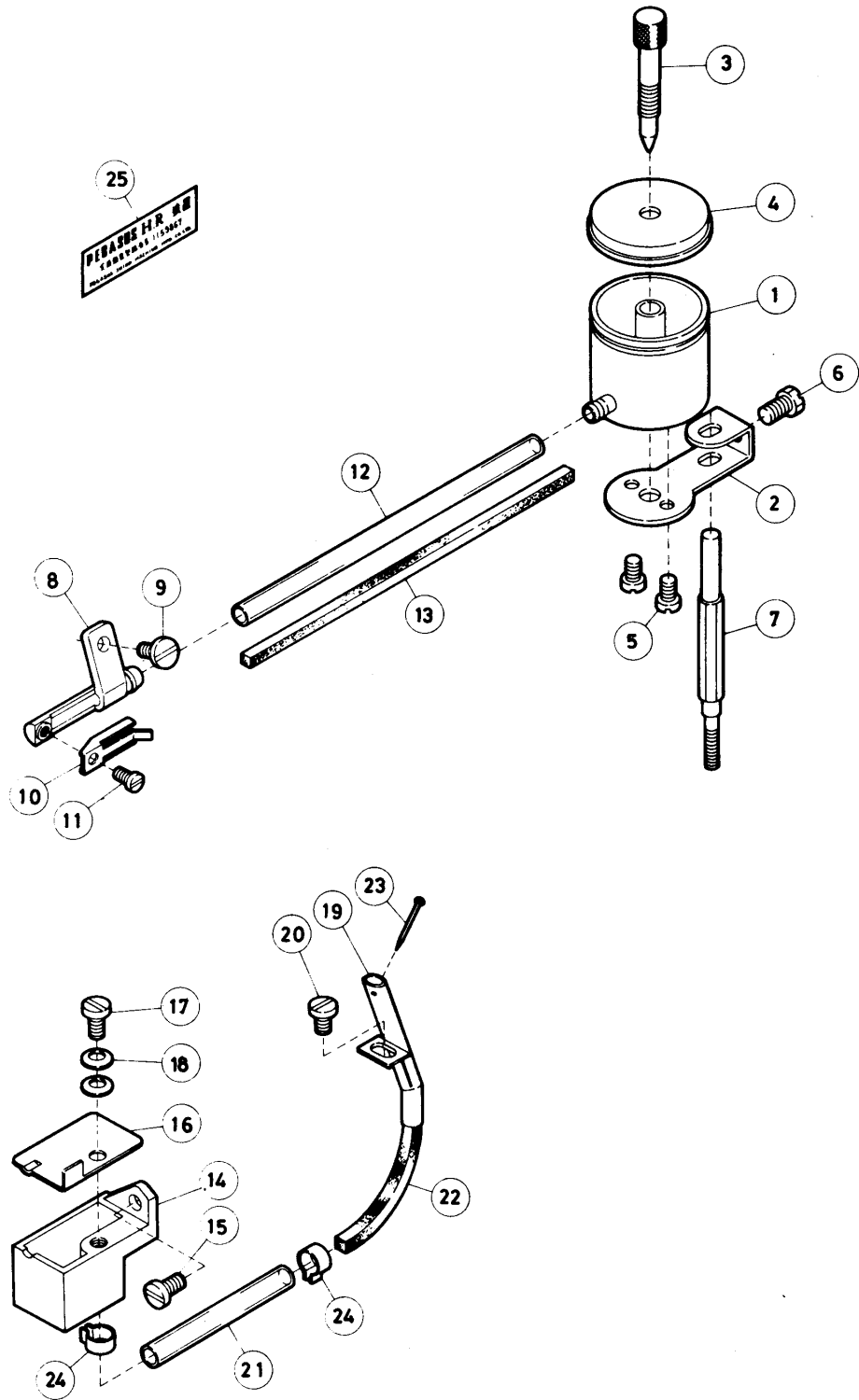
REF. NO.	PART NO.	NFW PRODUCT CODE NO.	NAME	QT.
1	201160B	323-530-222	FOOT LIFT LEVER	1
2	201161	323-604-008	STUD	1
3	2022-3	323-600-007	SCREW	1
4	201162A	323-643-210	SPRING	1
5	202868	323-618-209	WASHER	1
6	205702	323-620-120	PIN	1
7	201167A	323-740-021	BRACKET	1
8	5142	323-600-054	SCREW	2
9	5097	323-600-055	SCREW	2
10	3044	323-630-001	NUT	2
11	205719	323-600-449	SCREW	1
12	208773	323-640-031	PRESSFR BAR SPRING	1
13	202641	323-629-200	PLUNGER	1
14	202642	323-850-249	GUIDE	1
15	5053	323-600-015	SCREW	2
16	208598	323-530-031	HAND LIFT LEVER	1
17	202647A	323-620-239	HINGE PIN	1
18	208599	323-676-053	BUSHING	1
19	5029	323-600-256	SCREW	1
20	201395	323-640-228	SPRING	1
21	202645	323-629-201	PLUNGER	1
22	202639	323-502-211	ARM	1
23	5164	323-600-047	SCREW	1
24	201141	323-680-002	BUSHING	1
25	202640A	323-540-025	SHAFT/FOOT LIFT	1
26	202756	323-680-209	COLLAR	1
27	5084	323-600-013	SCREW	2
28	202589	323-676-207	BUSHING	3
29	201164A	323-680-003	COLLAR	1
30	2022-4	323-600-022	SCREW	1
31	2022	323-600-043	SCREW	1
32	205704	323-530-119	INTERMEDIATE LEVER	1
33	205705	323-643-013	SPRING	1
34	202683	323-716-209	REGULATOR	1
35	5345	323-600-096	SCREW	1
36	202451	323-873-200	CHAINCUTTER	1
37	2921	323-600-026	SCREW	1
38	201152E	323-820-021	PRESSER FOOT	1
39	201155C	323-863-212	PRESSER FOOT FINGER	1
40	202434	323-820-320	PRESSER FOOT	1
41	202453A	323-863-059	FINGER	1
42	201156	323-643-001	SPRING	1
43	5089	323-600-050	SCREW	1
44	210584	323-843-004	UNCURLER	1
45	5030	323-600-202	SCREW	1
46	210585	323-615-048	WASHER	1
47	201265B	323-854-200	FABRIC GUARD	1
48	1231	323-600-051	SCREW	1
49	202682A	323-716-004	PRESSER FOOT REGULATOR	1
50	1196	323-600-029	SCREW	1





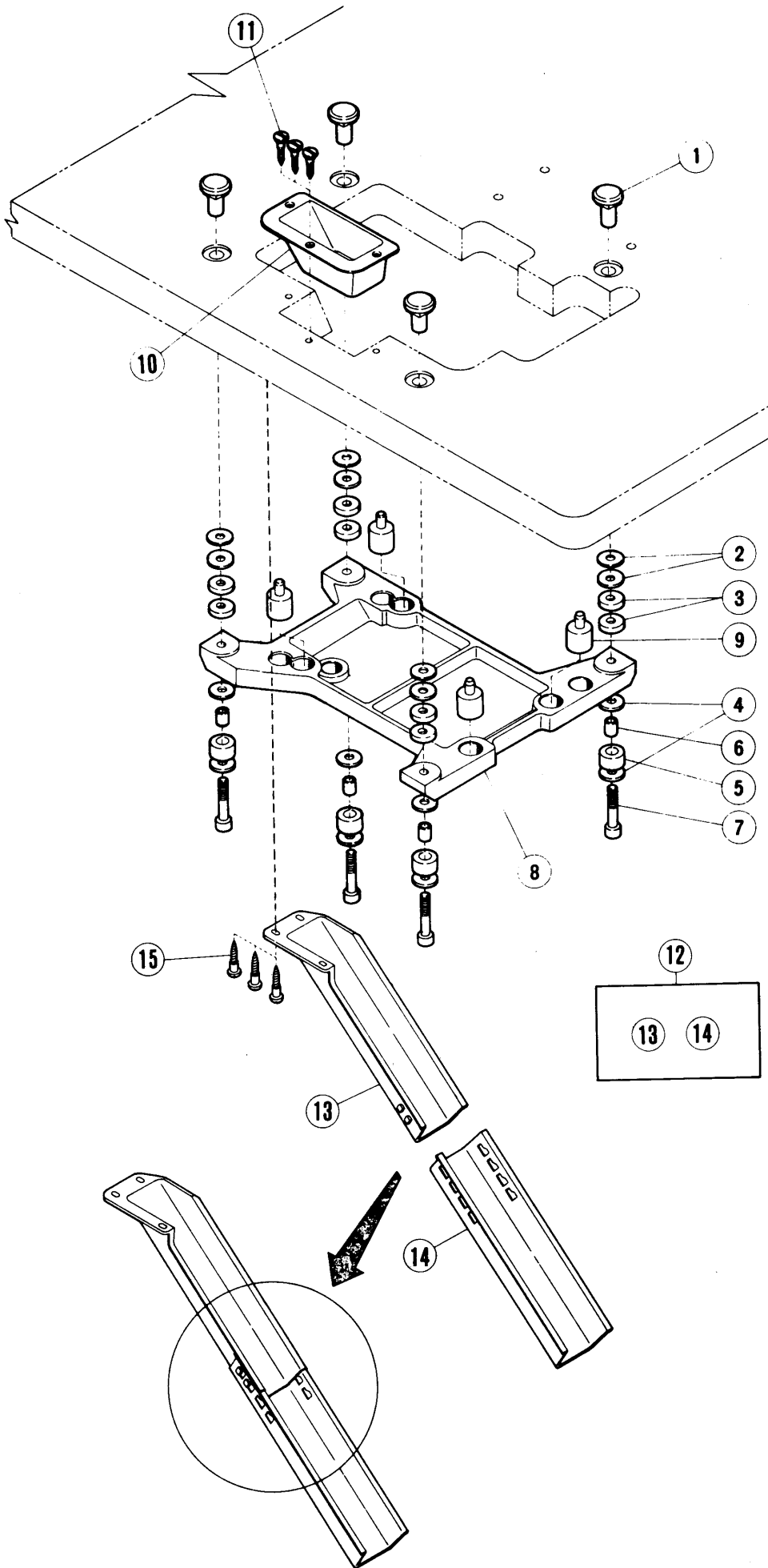
# LUBRICATING MECHANISM

REF. NO.	PART NO.	NEW PRODUCT CODE NO.	NAME	QT.
1	205378	323-767-001	GEAR PUMP	1
2	2213-1	323-600-056	SCREW	4
3	201288A	323-900-001	CASING COMPLETE	1
4	201293A	323-800-006	PLATE	1
5	5117	323-600-057	SCREW	4
6	201294	323-764-001	PUMP GEAR (RIGHT)	1
7	201295	323-764-002	PUMP GEAR (LEFT)	1
8	201296	323-540-007	SHAFT	1
9	201009	323-649-001	KEY	1
10	201297	323-540-008	SHAFT	1
11	1458	323-600-037	SCREW	2
12	201299	323-570-001	WORM WHEEL	1
13	5060	323-600-004	SCREW	2
14	201338	323-655-002	FILTER COMPLETE	1
15	201341	323-508-002	FILTER FRAME	1
16	1175-2	323-600-002	SCREW	3
17	201300A	323-636-018	OIL SPLASH JOINT	1
18	201301	323-600-058	OIL SPLASH SCREW	1
19	201319A	323-639-063	TUBE	1
20	201304	323-683-003	SPRING	1
21	201303	323-683-002	TUBE CLAMP	2
22	201300A	323-636-018	OIL SPLASH JOINT	2
23	201301	323-600-058	OIL SPLASH SCREW	2
24	202928	323-635-002	DISTRIBUTOR	1
25	1156	323-600-200	SCREW	1
26	200136	323-636-200	OIL SPLASH JOINT	2
27	200152	323-604-209	OIL SPLASH SCREW	2
28	205763	323-639-039	OIL TUBE	1
29	202199	323-685-003	TUBE CLAMP	2
30	202193	323-639-049	VINYL TUBE	1
31	205294	323-640-010	CLAMP SPRING	1
32	201303	323-683-002	TUBE CLAMP	2
33	202929	323-639-014	OIL TUBE	1
34	202930	323-640-004	CLAMP	1
35	201422B	323-635-205	DISTRIBUTOR	1
36	201423	323-663-214	GASKET	1
37	5095	323-600-038	SCREW	3
38	202794	323-891-204	INDICATOR COMPLETE	1
39	201328	323-656-001	OIL SPLASH SIGHT WINDOW	1
40	201329	323-663-003	GASKET	1
41	202777	323-634-207	WASHER	1
42	1175-3	323-600-019	SCREW	3
43	200136	323-636-200	OIL SPLASH JOINT	1
44	200137	323-604-222	OIL SPLASH SCREW	1
45	201426A	323-639-046	OIL TUBE	1
46	202199	323-685-003	TUBE CLAMP	2
47	201424A	323-639-237	OIL SPLASH PIPE	1
48	5261	323-600-318	SCREW	1
49	202775	323-676-260	BUSHING	1
50	202776	323-615-228	WASHER	2
51	5020	323-630-215	NUT	1
52	205833	323-658-011	OIL RESERVOIR COMPLETE	1
53	205768	323-658-012	OIL RESERVOIR	1
54	201487	323-800-009	SCREEN	1
55	5138B	323-600-354	SCREW	1
56	202287A	323-615-229	WASHER	1
57	209150	323-850-098	AIR GUIDE	1
58	5441	323-600-140	STOP SCREW	2
59	202286	323-617-200	WASHER	2
60	201335	323-663-004	GASKET	1
61	205440	323-663-028	OIL PAN GASKET	1
62	5150B	323-605-006	BOLT	4
63	5208B	323-605-007	BOLT	4
64	204806	323-615-029	WASHER	4
65	202737	323-716-212	REGULATOR	1
66	5113	323-600-039	SCREW	1



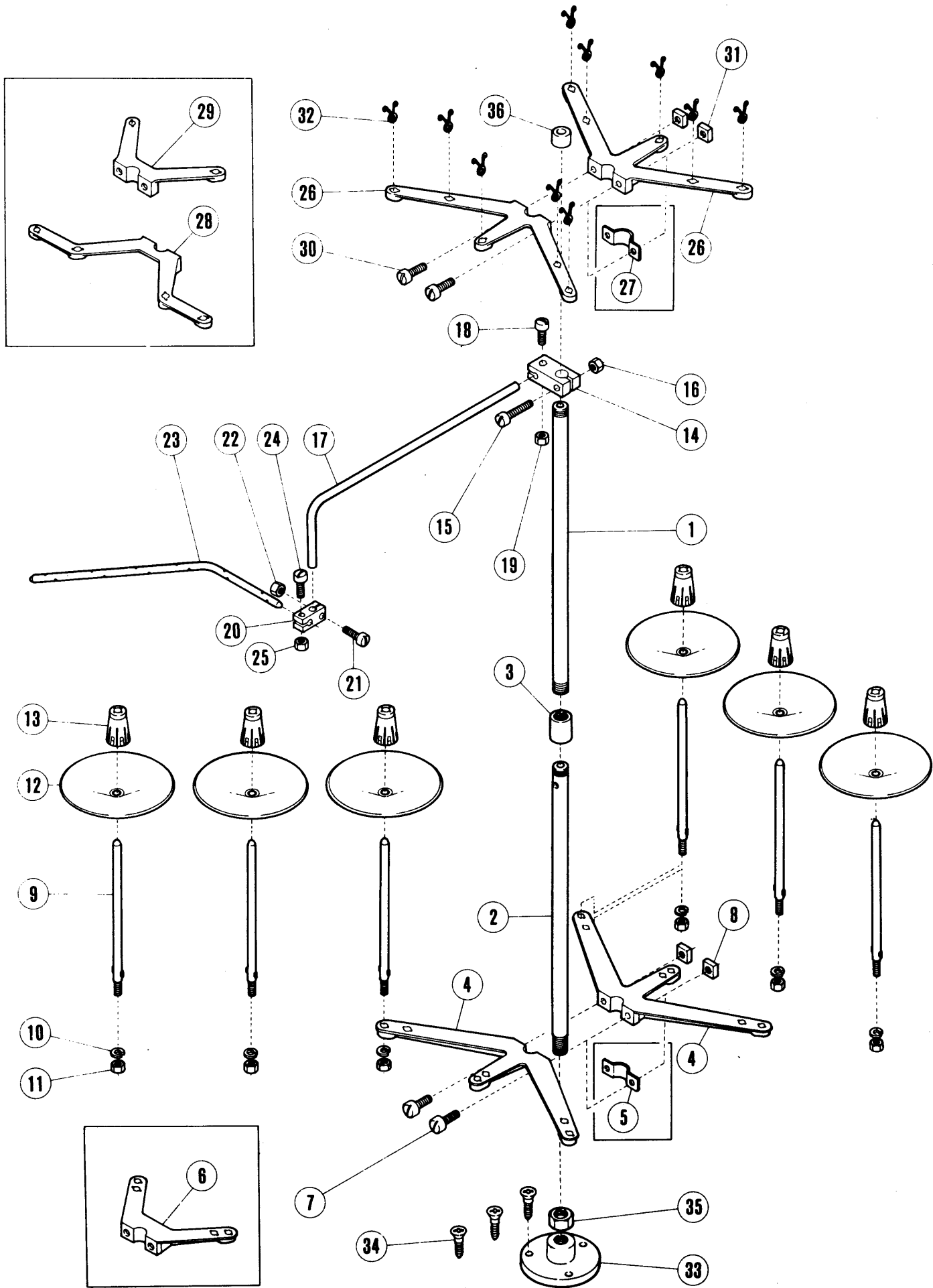
**HR DEVICE  
(Needle and Thread Lubricators)      OPTION**

REF. NO.	PART NO.	NEW PRODUCT CODE NO.	NAME	QT.
1	202476-1	323-658-001	SILICONE OIL RESERVOIR	1
2	202476-2	323-740-221	BRACKET	1
3	202476-3	323-600-323	SILICONE OIL REGULATOR	1
4	202476-4	323-510-013	CAP COVER	1
5	1216	323-600-068	SCREW	2
6	2193	323-600-271	SCREW	1
7	202461	323-604-231	SCREW STUD	1
8	208446	323-639-034	THREAD LUBRICATOR	1
9	4009-1	323-600-014	SCREW	1
10	208487	323-800-065	PLATE	1
11	5012	323-600-255	SCREW	1
12	202030A	323-638-201	OIL TUBE	1
13	200633	323-653-202	OIL WICK	1
14	202455	323-658-203	SILICONE OIL RESERVOIR	1
15	5117	323-600-057	SCREW	1
16	202456	323-510-244	CAP COVER	1
17	5184	323-600-079	SCREW	1
18	201191	323-615-015	WASHER	2
19	202745A	323-639-227	NEEDLE COOLER	1
20	4009-1	323-600-014	SCREW	1
21	202472	323-639-229	OIL TUBE	1
22	200633	323-653-202	OIL WICK	1
23	210766	323-620-066	OIL FELT PIN	1
24	200155	323-685-213	HOLDER	2
25	205735	323-690-005	HR DEVICE PATENT MARK	1



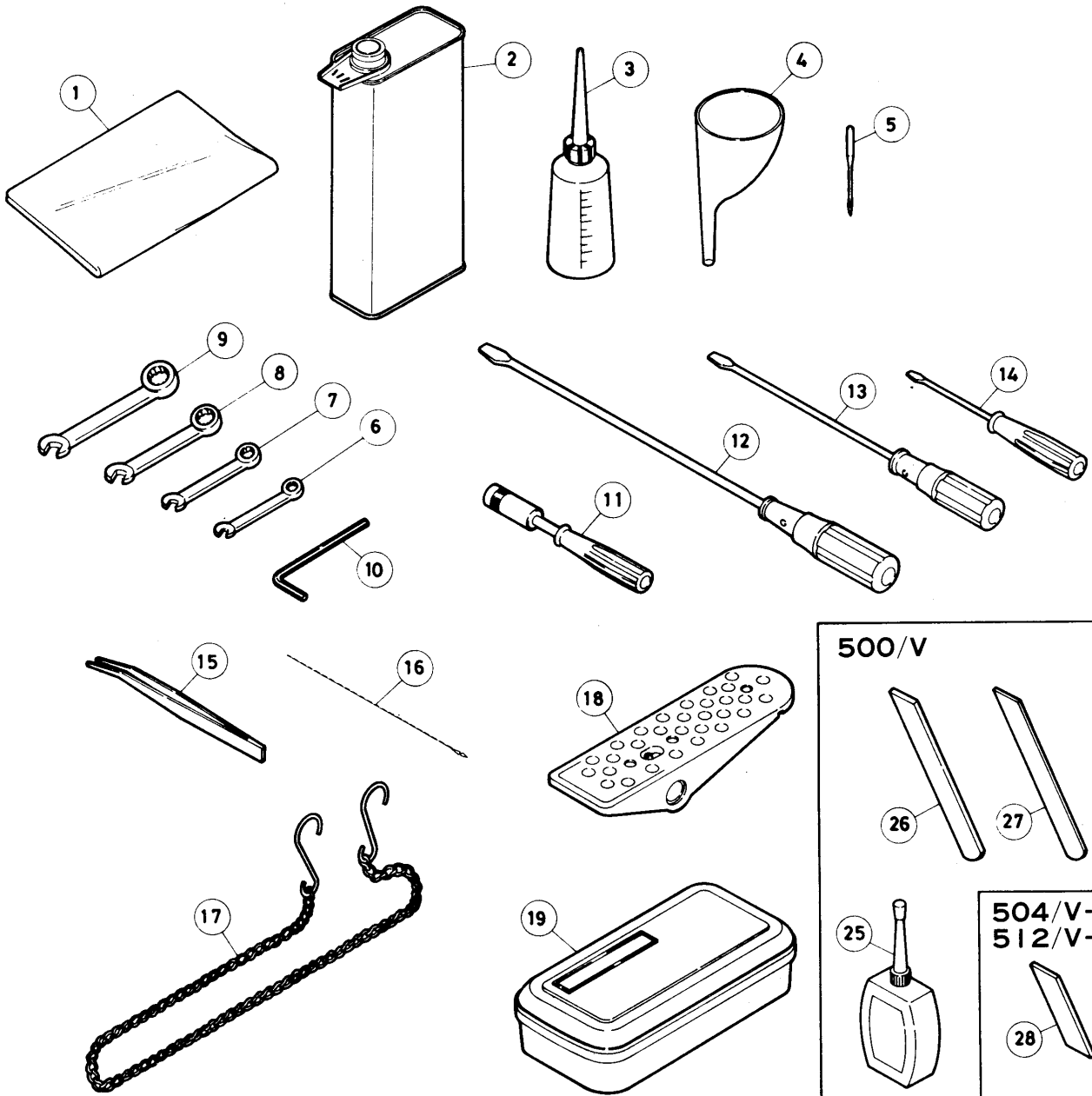
# SEMI-SUBMERGED INSTALLATION PARTS

REF. NO.	PART NO.	NEW PRODUCT CODE NO.	NAME	QT.
1	206336	325-630-004	NUT	4
2	206337	325-615-006	WASHER	8
3	205467	323-646-006	SPACER	8
4	206337	325-615-006	WASHER	4
5	205764	323-627-027	RUBBER	4
6	205765	323-648-004	LINER	4
7	4513	323-605-010	HANGER BOLT	4
8	205466	323-945-011	MACHINE REST BOARD	1
9	205473	323-945-014	CUSHION RUBBER	4
10	205470	323-740-062	WASTE CHUTE TOP	1
11	4904	323-600-401	SCREW	3
12	9106	323-945-017	WASTE CHUTE SET	1
13	205468	323-774-002	WASTE CHUTE	1
14	205469	323-774-003	WASTE CHUTE EXTENSION	1
15	4905	323-600-370	SCREW	3

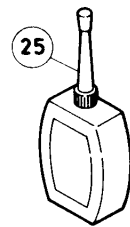
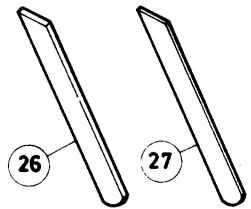


# THREAD STAND

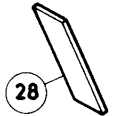
REF. NO.	PART NO.	NEW PRODUCT CODE NO.	NAME	QUANTITY	
				SPOOLS: 3	4
	369	323-940-007	3-SPOOLS THREAD STAND COMPLETE	1	
	370	323-940-008	4-SPOOLS THREAD STAND COMPLETE		1
1	385	323-535-008	THREAD STAND UPPER ROD	1	1
2	388	323-535-009	THREAD STAND LOWER ROD	1	1
3	387	323-636-022	JOINT	1	1
4	373	323-740-089	SPOOL PIN BRACKET LARGE	1	
5	375	323-800-084	CLAMP PLATE	1	
6	374	323-740-090	SPOOL PIN BRACKET SMALL		2
7	4013	323-600-395	SCREW	2	2
8	4750	323-630-039	NUT	2	2
9	380	323-620-063	SPOOL PIN	3	4
10	201252	323-615-003	WASHER	3	4
11	4803	323-630-040	NUT	3	4
12	381	323-685-028	SPOOL TRAY	3	4
13	382	323-850-078	SPOOL RETAINING FIN	3	4
14	383	323-740-091	ROD BRACKET	1	1
15	4014	323-600-397	SCREW	1	1
16	4803	323-630-040	NUT	1	1
17	384	323-535-010	THREAD GUIDE BAR ROD	1	1
18	4012	323-600-396	SCREW	1	1
19	4803	323-630-040	NUT	1	1
20	233	323-750-006	HOLDER	1	1
21	4012	323-600-396	SCREW	1	1
22	4803	323-630-040	NUT	1	1
23	293	323-590-004	THREAD GUIDE BAR	1	1
24	4012	323-600-396	SCREW	1	1
25	4803	323-630-040	NUT	1	1
26	377	323-740-092	THREAD GUIDE BRACKET LARGE	1	
27	375	323-800-084	CLAMP PLATE	1	
28	378	323-740-093	THREAD GUIDE BRACKET MEDIUM		1
29	379	323-740-094	THREAD GUIDE BRACKET SMALL		1
30	4013	323-600-395	SCREW	2	2
31	4750	323-630-039	NUT	2	2
32	376	323-851-045	THREAD GUIDE	5	6
33	306468	323-505-022	THREAD STAND BASE	1	1
34	4913	323-600-398	SCREW	3	3
35	5476	323-630-041	NUT	1	1
36	386	323-780-018	ROD CAP	1	1



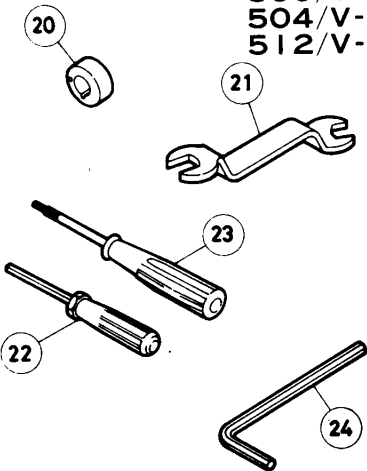
500/V



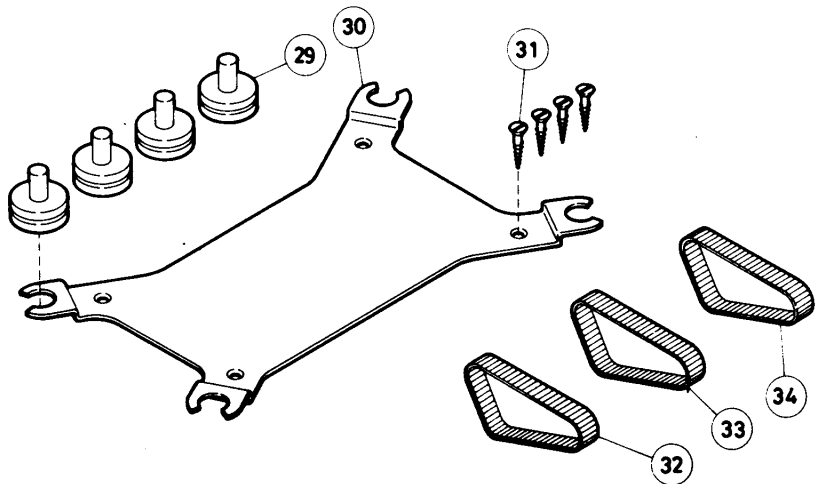
504/V-71,  
512/V-79



500/V  
504/V-71  
512/V-79



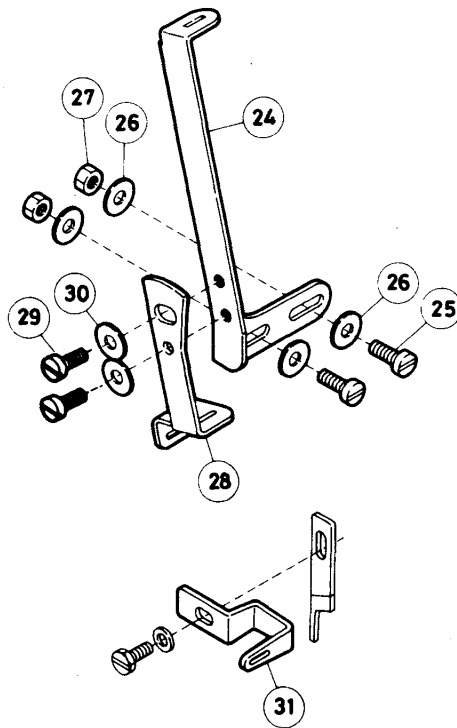
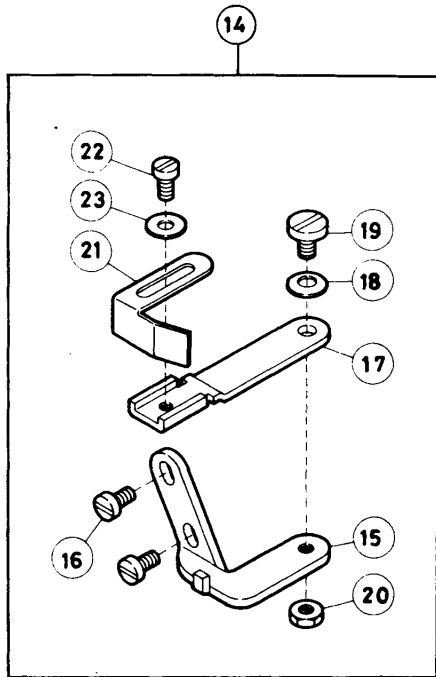
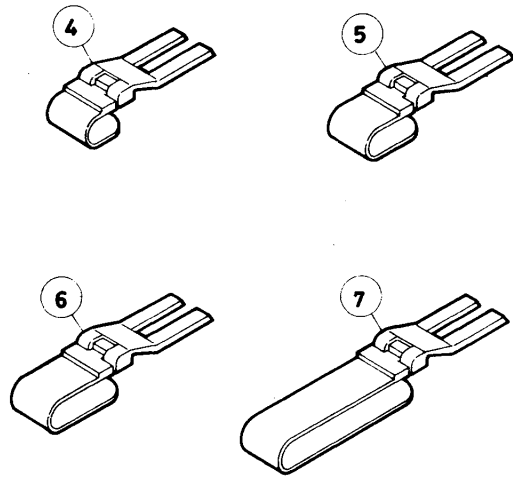
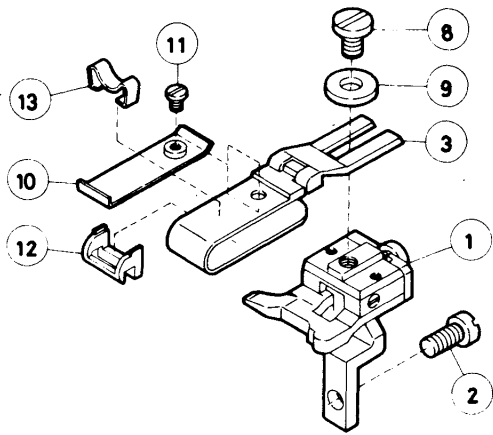
DCR-942





# ACCESSORIES

REF. NO.	PART NO.	NEW PRODUCT CODE NO.	NAME	QT.
1	903	323-945-019	DUST COVER	1
2	134	323-945-015	OIL CONTAINER	1
3	132	323-659-200	OILER	1
4	135A	323-945-003	FUNNEL	1
5	DCX1		NEEDLE	10
6	282	323-880-010	WRENCH/5MM	1
7	283	323-880-011	WRENCH/6MM	1
8	284	323-880-012	WRENCH/7MM	1
9	286	323-880-014	WRENCH/9.5MM	1
10	200	323-880-005	WRENCH/4.76MM	1
11	152	323-880-212	WRENCH/7MM	1
12	127	323-885-001	DRIVER	1
13	128	323-885-002	DRIVER	1
14	129	323-885-003	DRIVER	1
15	131	323-886-001	TWEEZERS	1
16	153	323-660-200	THREADING WIRE	1
17	126	323-732-001	CHAIN	1
18	245	323-533-005	TREADLE	1
19	123	323-945-206	ACCESSARY BOX	1
20	XXXXXX		FEED ECCENTRIC	2
21	130A	323-880-007	WRENCH(12X14)	1
22	179	323-885-200	ALLEN KEY DRIVER/1.56MM	1
23	154	323-945-001	EXTRACTOR/FEED ECCENTRIC	1
24	272	323-880-016	ALLEN KEY	1
25	178	323-945-007	CONTAINER - SILICONE	1
26	201127	323-870-211	LOWER KNIFE	1
27	202295	323-870-210	LOWER KNIFE	1
28	205423	323-870-006	LOWER KNIFE	1
29	201480	323-627-001	CUSHION PLUG	4
30	201479	323-800-016	PLATE	1
31	4909	323-600-450	SCREW	4
32	202431-3	323-550-003	FEED BELT	1
33	202431-2	323-550-002	FEED BELT	1
34	202431-4	323-550-004	FEED BELT	1



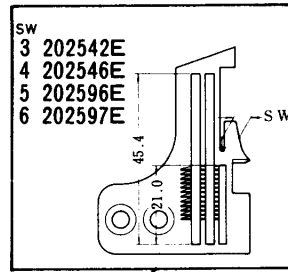
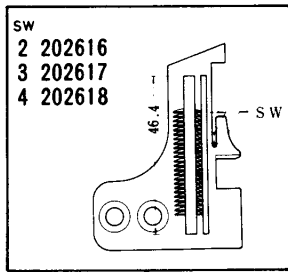
# ATTACHMENTS/SPECIAL ORDER PARTS

REF. NO.	PART NO.	NEW PRODUCT CODE NO.	NAME	QT.
1	201206A	323-505-015	WELT GUIDE HOLDER	1
2	1175-2	323-600-002	SCREW	1
3	201211B	323-400-012	FOLDER/40MM	1
4	205457	323-400-014	FOLDER/14MM	1
5	205678	323-400-009	FOLDER/21MM	1
6	205679	323-400-010	FOLDER/26MM	1
7	205456	323-400-013	FOLDER/51MM	1
8	2905	323-600-074	SCREW	1
9	137142	323-615-017	WASHER	1
10	205835	323-400-016	AUXILIARY	1
11	5299	323-600-300	SCREW	1
12	303312A	323-716-016	FOLDER REGULATOR	1
13	303313	323-683-026	CLAMP	1
14	201500	323-850-012	EDGE GUIDE COMPLETE	1
15	201232A	323-740-011	BRACKET	1
16	1202	323-600-032	SCREW	2
17	201485	323-740-012	BRACKET	1
18	201191	323-615-015	WASHER	1
19	5184	323-600-079	SCREW	1
20	3044	323-630-001	NUT	1
21	201233A	323-850-013	EDGE GUIDE	1
22	1202	323-600-032	SCREW	1
23	137906	323-615-018	WASHER	1
24	208915	323-440-008	TAPE GUIDE (UPPER)	1
25	1175-3	323-600-019	SCREW	2
26	137906	323-615-018	WASHER	4
27	3091	323-630-003	NUT	2
28	208916	323-440-009	TAPE GUIDE (LOWER)	1
29	1216	323-600-068	SCREW	2
30	137906	323-615-018	WASHER	2
31	205319	323-850-032	TAPE TAKEUP	1

**GAUGE PARTS  
CONSTRUCTION CHART**

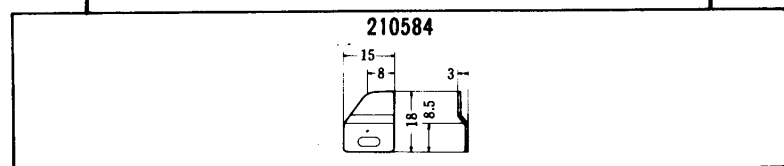
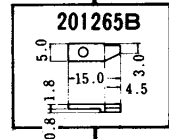
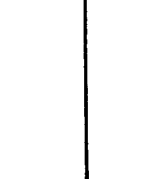
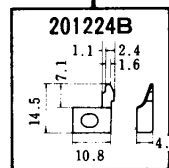
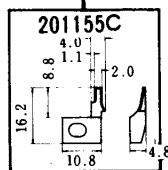
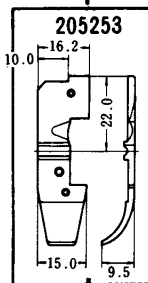
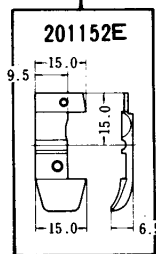
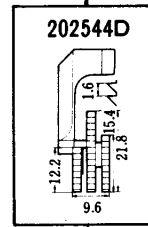
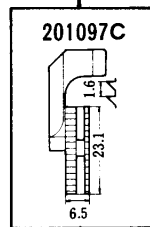
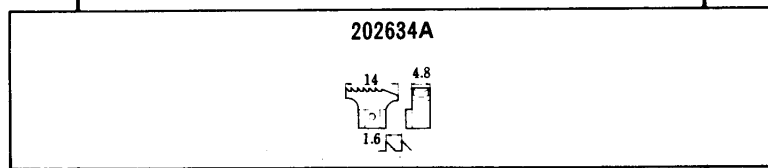
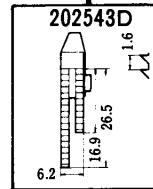
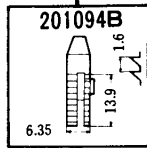
S W = Seam Width.

**503/V-25**  
**504/V-7**



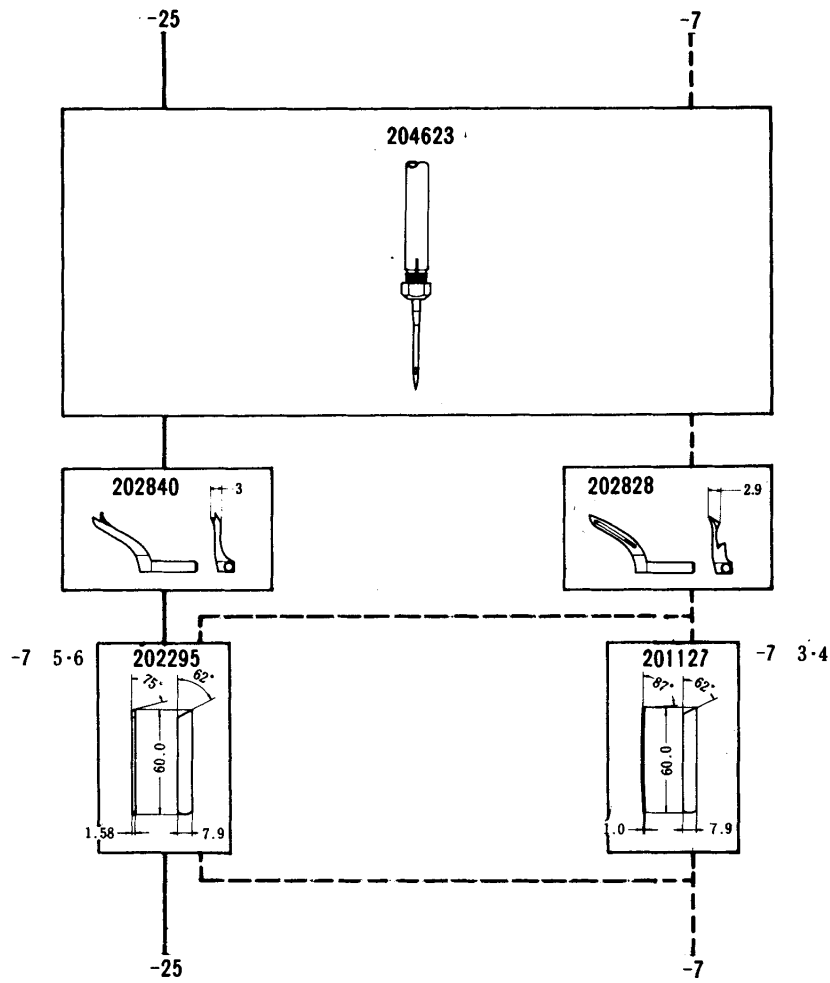
-25

-7



-25

-7



**COMMON GAUGE PARTS  
FOR ALL MACHINE TYPES  
UP TO PAGE 45**

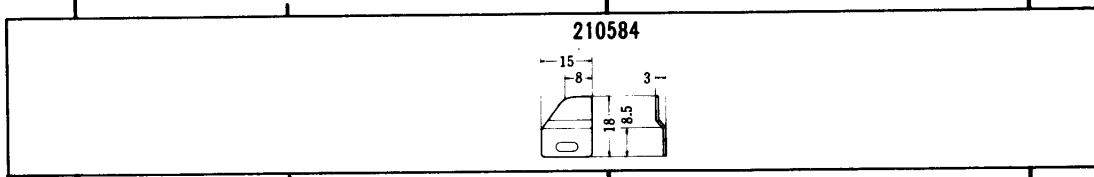
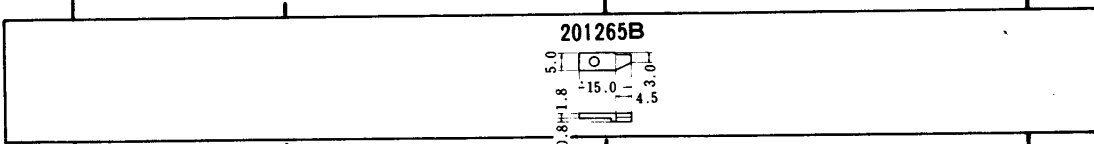
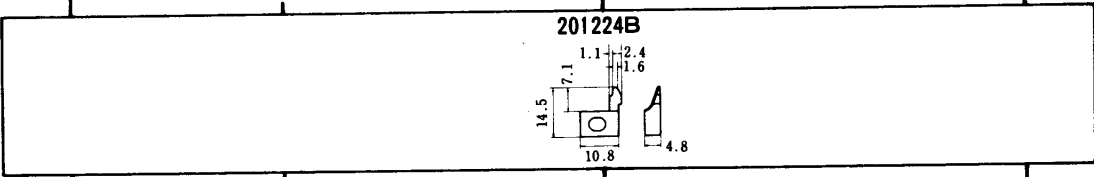
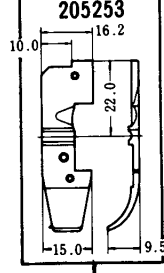
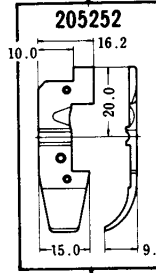
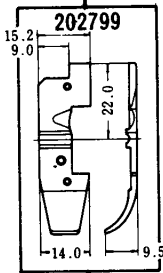
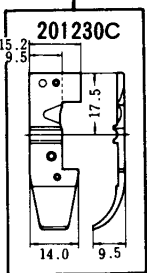
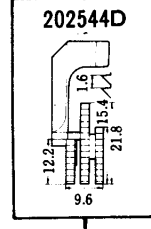
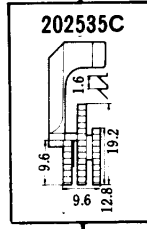
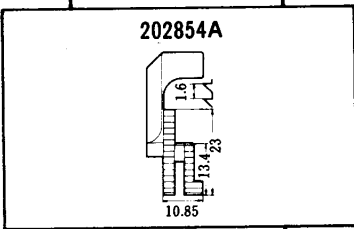
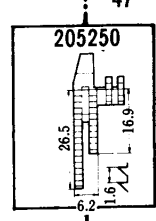
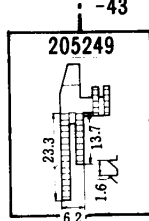
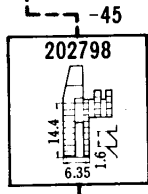
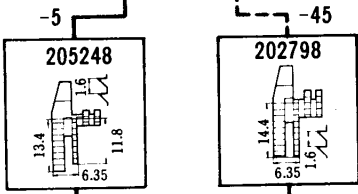
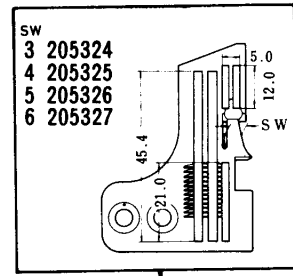
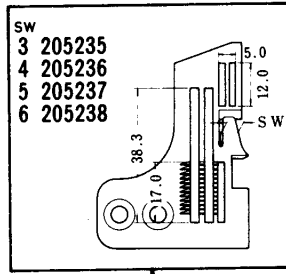
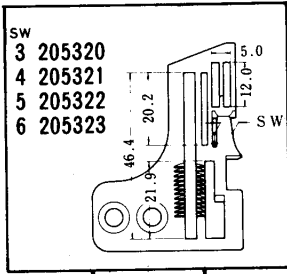
202703	
201453B	
202474A	
201121A	
201103B	
Main Feed 10 	Diff. Feed 10 

503/V-25	2,3,4	503	8-12	6,000	Two thread blindstitch hemming on U-necked undershirts athletic shirts, mens and womens briefs etc.
504/V-7	3,4,5,6	504	8-12	6,000	For sleeve, side and shoulder closing operations on light to medium weight materials such as underwear and ladies' and children's outerwear.

**GAUGE PARTS  
CONSTRUCTION CHART**

**504/V-5, 43, 45, 47**

SW=Seam Width.

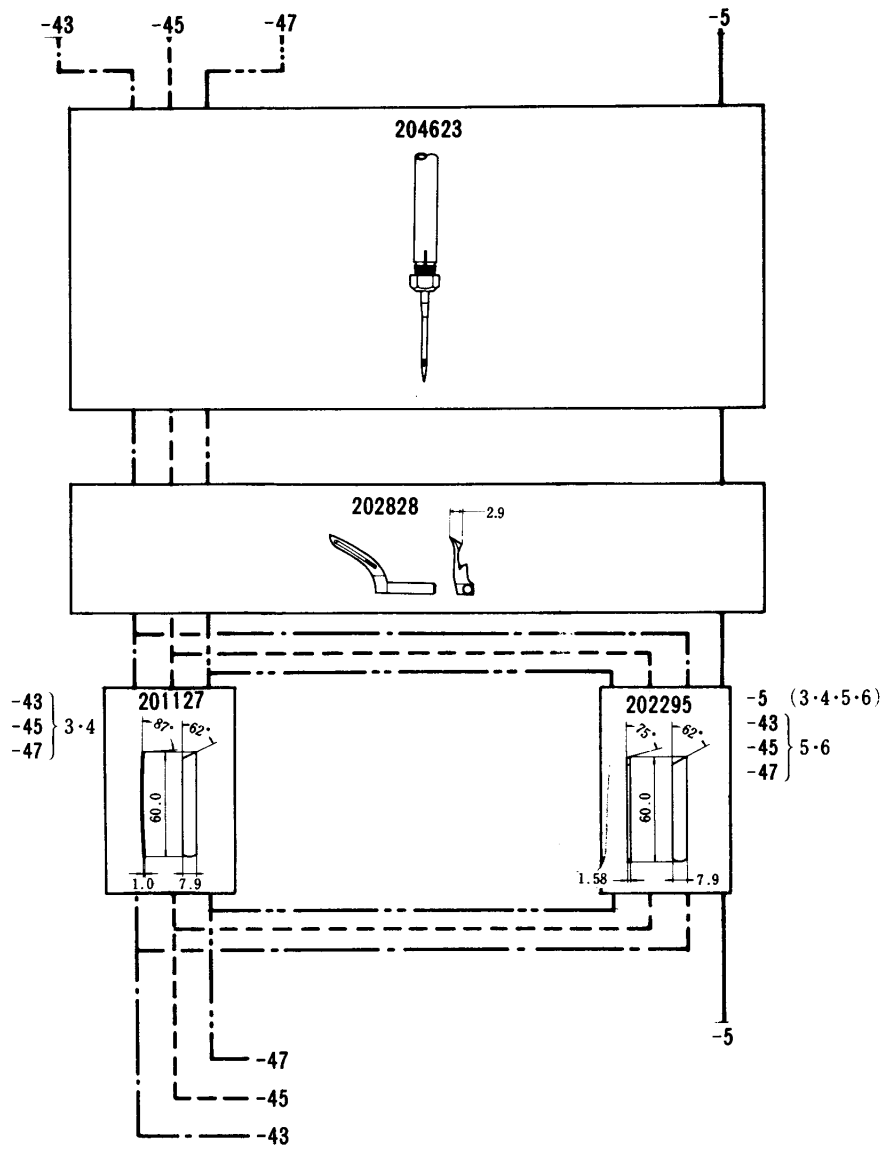








-5

-45

-43

-47

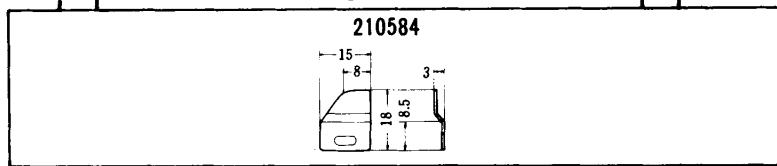
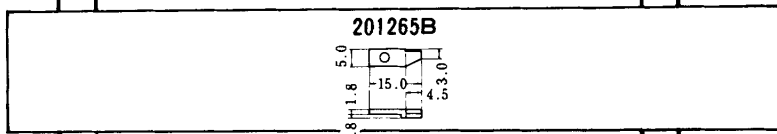
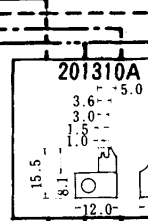
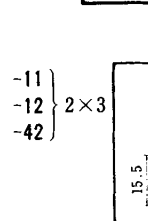
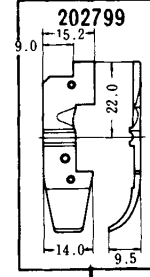
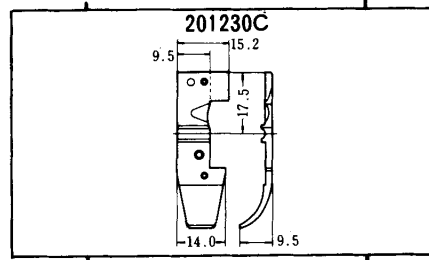
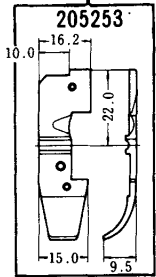
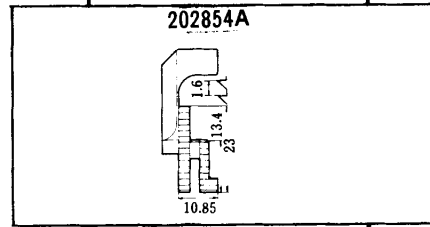
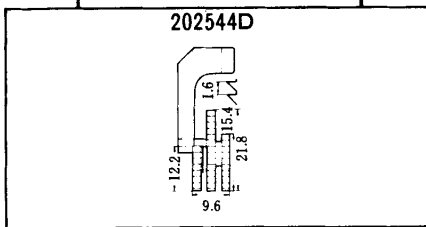
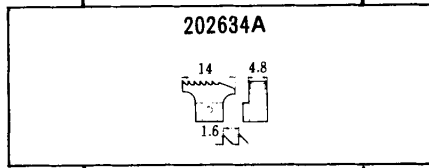
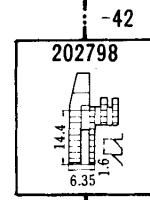
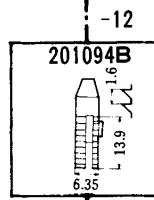
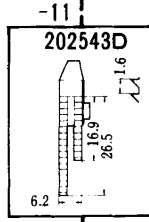
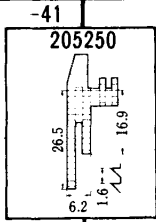
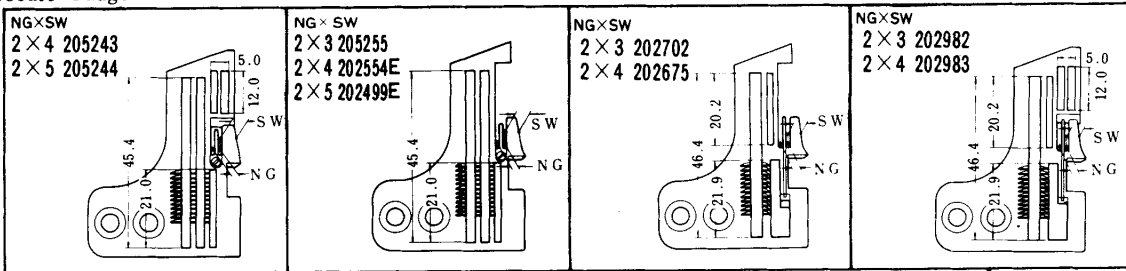


					
504/V-5	3, 4, 5, 6	504	8-12	6,000	General serging operations on slacks, jackets working wear etc.
504/V-43	3, 4, 5, 6	504	8-12	6,000	For sleeve, side and shoulder closing operations on light to medium weight materials such as underwear and ladies' and children's outerwear.
504/V-45	3, 4, 5, 6	504	8-12	6,000	
504/V-47	3, 4, 5, 6	504	8-12	6,000	

**GAUGE PARTS  
CONSTRUCTION CHART**

**514/V-11, 12, 41, 42**

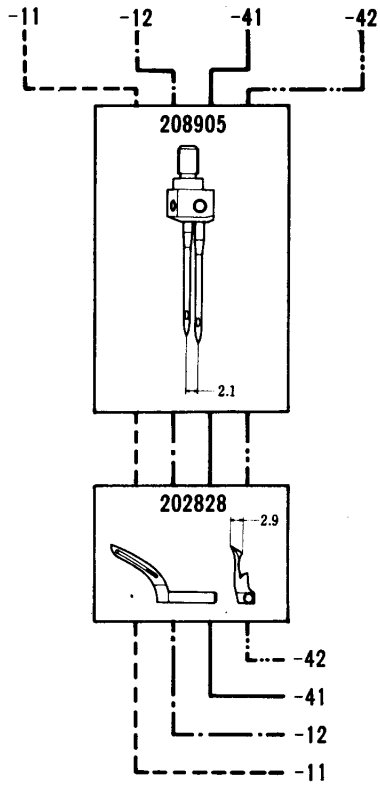
SW = Seam Width.  
NG = Needle Gauge.



-11 -12

-41 -42





**COMMON GAUGE PARTS**

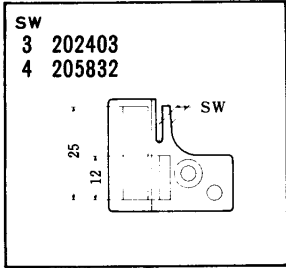
202703								
201454B								
202688A								
205258								
202295								
201103B		<table border="1"> <tr> <td>Main Feed</td> <td>Diff. Feed</td> </tr> <tr> <td>10</td> <td>10</td> </tr> <tr> <td></td> <td></td> </tr> </table>	Main Feed	Diff. Feed	10	10		
Main Feed	Diff. Feed							
10	10							

514/V-11	2	3,4,5	512	8-12	6,000	Closing and attaching sleeves and side closing on dress shirts.
514/V-12	2	3,4	512	8-12	6,000	
514/V-41	2	4,5	512	8-12	6,000	
514/V-42	2	3,4	512	8-12	6,000	

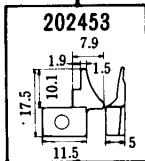
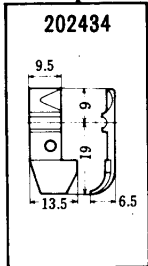
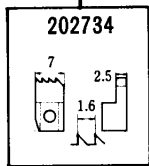
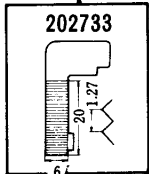
**GAUGE PARTS  
CONSTRUCTION CHART**

SW=Seam Width.  
NG=Needle Gauge.

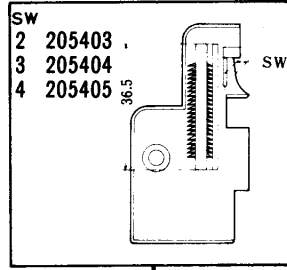
**DCR-942  
504/V-71, 512/V-79**



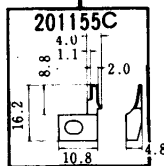
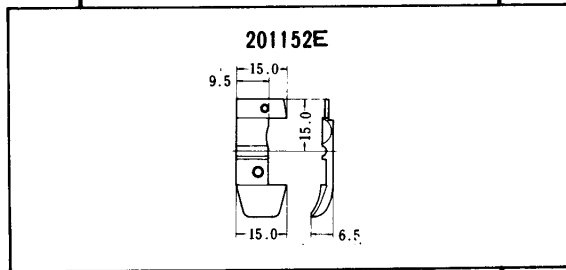
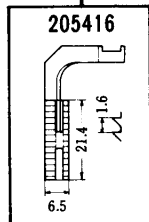
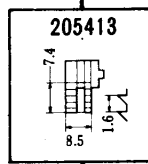
-942



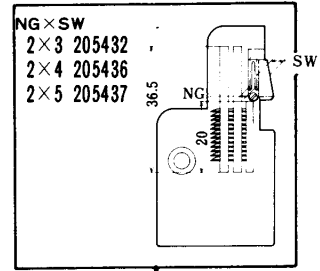
-942



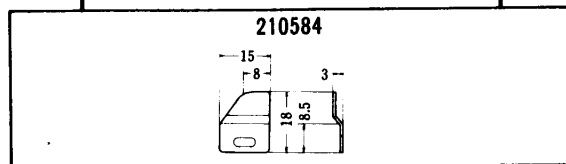
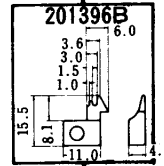
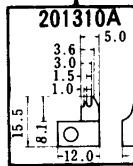
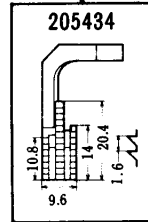
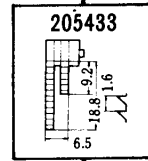
-71



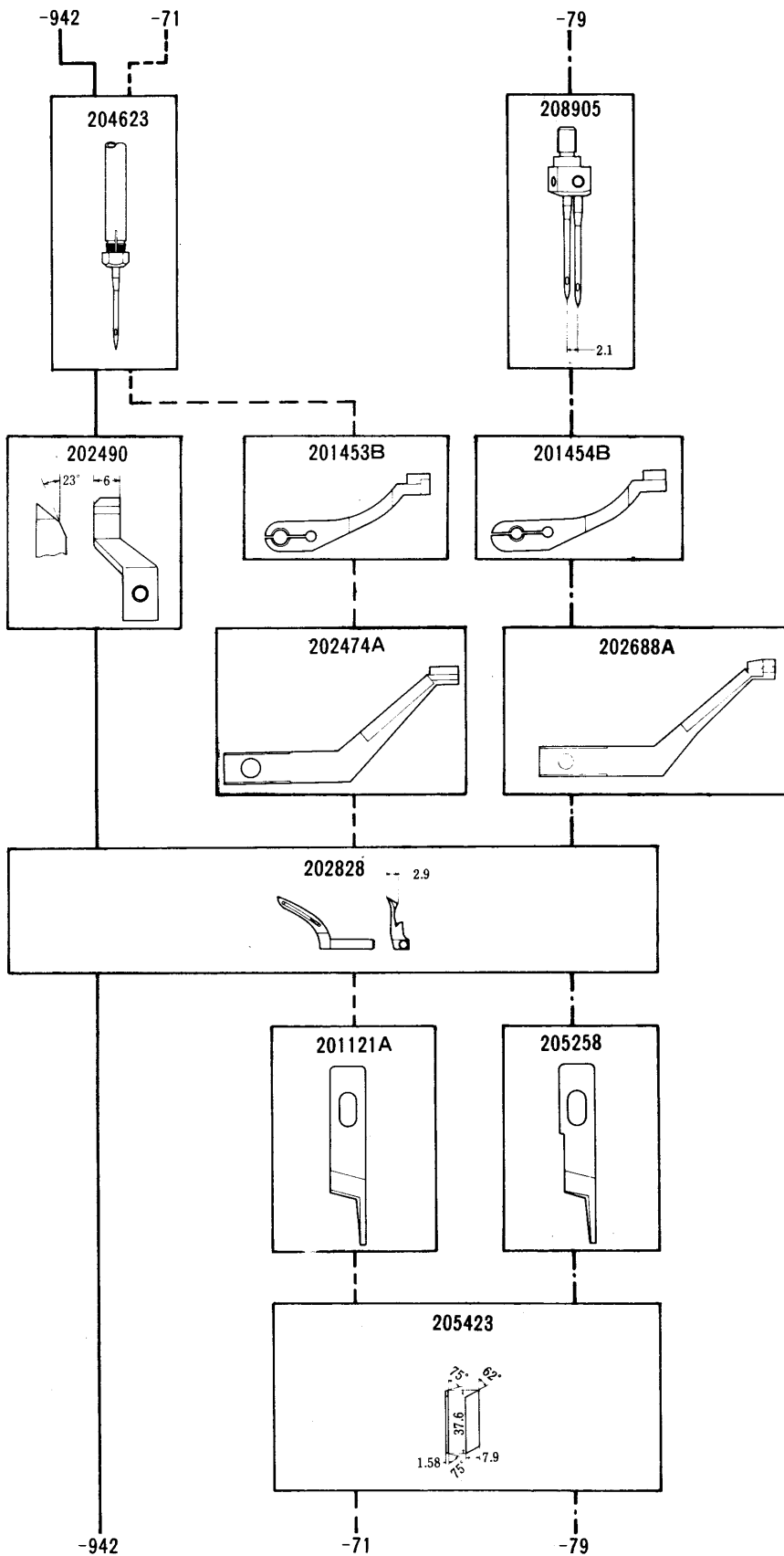
-71



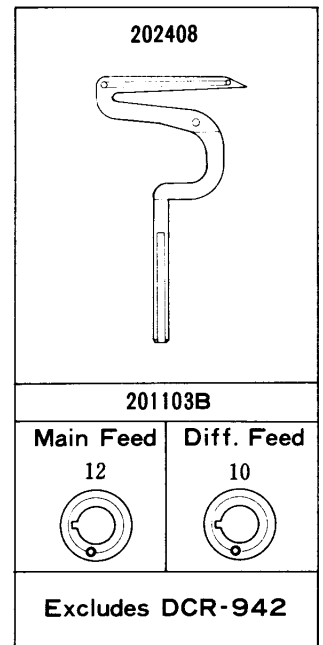
-79










-79



**COMMON GAUGE PARTS**



						
DCR-942		3, 4	504	7-14	5,500	For overedging and simultaneously inserting an elastic band on the rib openings of work gloves.
504/V-71		2, 3, 4	505	8-14	5,500	Cylinder bed overedger for blindstitch hemming.
512/V-79	2	3, 4, 5	512	8-14	5,500	Cylinder bed, mock-safetystitch machine.

**COMMON GAUGE PARTS :**

- 202703 323-810-222 Lower looper
- 201453B 323-561-027 Needle guard (front)
- 202474A 323-561-214 Needle guard (rear)
- 201121A 323-870-214 Upper knife

**GAUGE PARTS LIST**

MACHINE TYPE	GAUGE NG SW	NEEDLE PLATE	MAIN FEED DOG	AUX. FEED DOG	DIFF. FEED DOG	PRESSER FOOT			FINGER	FAB.GRD	UNCURLER	LOWER KNIFE	UPPER LOOPER	NEEDLE HOLDER	FEED MAIN	ECC. DIFF	STITCH TYPE	NDL
						BODY	820-021	863-212										
503/V-25	2	202616	201094B	202634A	201097C	201152E	201155C	210584	202295	202840	10	10	503	DCX27				
	3	801-038	830-001	830-252	830-233	820-021	863-212	843-004	870-210	810-226	"	"	#5	#9				
	4	202617	"	"	"	"	"	"	"	"	"	"	"	"	"	"	"	"
	4	202618	"	"	"	"	"	"	"	"	"	"	"	"	"	"	"	"
504/V-5	3	205320	205248	202854A	202544D	201230C	201224B	210584	202295	202828	10	10	504	DCX27				
	4	801-062	"	830-333	830-256	820-019	863-007	854-200	843-004	870-210	810-224	"	"	#4	#14			
	4	205321	"	"	"	"	"	"	"	"	"	"	"	"	"	"	"	"
	5	205322	"	"	"	"	"	"	"	"	"	"	"	"	"	"	"	"
504/V-7	6	205323	"	"	"	"	"	"	"	"	"	"	"	"	"	"	"	"
	3	20542E	202543D	202634A	202544D	205253	201224B	210584	201127	202828	10	10	504	DCX27				
	4	801-026	830-038	830-252	830-256	820-287	863-007	854-200	843-004	870-211	810-224	"	"	#4	#14			
	4	202546E	"	"	"	"	"	"	"	"	"	"	"	"	"	"	"	"
504/V-43	5	202596E	"	"	"	"	"	"	202295	"	"	"	"	"	"	"	"	"
	6	202597E	"	"	"	"	"	"	202295	"	"	"	"	"	"	"	"	"
	3	205235	205249	202535C	202535C	205252	201224B	210584	201127	202828	10	10	504	DCX27				
	4	801-340	830-330	830-331	830-331	820-285	863-007	854-200	843-004	870-211	810-224	"	"	#4	#14			
504/V-45	5	205237	"	"	"	"	"	"	202295	"	"	"	"	"	"	"	"	"
	6	205238	"	"	"	"	"	"	202295	"	"	"	"	"	"	"	"	"
	3	205320	202798	202854A	202854A	202799	201224B	210584	201127	202828	10	10	504	DCX27				
	4	801-062	830-332	830-333	830-333	820-286	863-007	854-200	843-004	870-211	810-224	"	"	#4	#14			
504/V-47	5	205322	"	"	"	"	"	"	202295	"	"	"	"	"	"	"	"	"
	6	205323	"	"	"	"	"	"	202295	"	"	"	"	"	"	"	"	"
	3	205324	205250	202544D	202544D	205253	201224B	210584	201127	202828	10	10	504	DCX27				
	4	801-066	830-255	830-256	830-256	820-287	863-007	854-200	843-004	870-211	810-224	"	"	#4	#14			
504/V-49	5	205326	"	"	"	"	"	"	202295	"	"	"	"	"	"	"	"	"
	6	205327	"	"	"	"	"	"	202295	"	"	"	"	"	"	"	"	"
	3	205328	"	"	"	"	"	"	"	"	"	"	"	"	"	"	"	"
	4	205329	"	"	"	"	"	"	"	"	"	"	"	"	"	"	"	"

# GAUGE PARTS LIST

MACHINE TYPE	GAUGE NG SW	NEEDLE PLATE	MAIN FEED DOG	AUX. FEED DOG	DIFF. FEED DOG	PRESSER BODY	FOOT FINGER	FAB.GRD UNCURLER	LOWER KNIFE	UPPER LOOPER	NEEDLE HOLDER	FEED ECC. MAIN	STITCH DIFF TYPE	NDL			
514/V-11	2	3	205255	202543D	202634A	202544D	201230C	201396B	201265B	210584	202295	202828	208905	10	10	512	DCX27
			801-047	830-038	830-252	830-256	820-019	863-215	854-200	843-004	870-210	810-224	843-014				#14
	2	4	202554E	"	"	"	"	201310A	"	"	"	#4	"				
			801-030	"	"	"	"	863-201	"	"	"	"	"				
	2	5	202499E	"	"	"	"	"	"	"	"	"	"				
514/V-12	2	3	202702	201094B	202634A	202854A	201230C	201396B	201265B	210584	202295	202828	208905	10	10	512	DCX27
			801-070	830-001	830-252	830-333	820-019	863-215	854-200	843-004	870-210	810-224	843-014				#14
	2	4	202675	"	"	"	"	201310A	"	"	"	#4	"				
			801-315	"	"	"	"	863-201	"	"	"	"	"				
	2	4	205243	205250	-----	202544D	205253	201310A	201265B	210584	202295	202828	208905	10	10	512	DCX27
514/V-41	2	4	801-364	830-255	-----	830-256	820-287	863-201	854-200	843-004	870-210	810-224	843-014				#14
	2	5	205244	"	-----	"	"	"	"	"	"	#4	"				
			801-365	"	-----	"	"	"	"	"	"	"	"				
	2	3	202982	202798	-----	202854A	202799	201396B	201265B	210584	202295	202828	208905	10	10	512	DCX27
			801-355	830-332	-----	830-333	820-286	863-215	854-200	843-004	870-210	810-224	843-014				#14
514/V-42	2	4	202983	"	-----	"	"	201310A	"	"	"	#4	"				
			801-356	"	-----	"	"	863-201	"	"	"	"	"				

## OTHER GAUGE PARTS THAN LISTED ABOVE

MACHINE TYPE	LOWER LOOPER	NEEDLE GUARD (FRONT)	NEEDLE GUARD (REAR)	UPPER KNIFE
514/V-11	202703	201454B	202688A	205258
514/V-12	810-222	561-028	561-217	870-007
514/V-41	"	"	"	"
514/V-42	"	"	"	"

# GAUGE PARTS LIST

MACHINE TYPE	GAUGE NG SW	NEEDLE PLATE	MAIN FEED DOG	AUX. FEED DOG	DIFF. FEED DOG	PRESSER FOOT		FAB. GRD	UNCURLER	LOWER KNIFE	UPPER LOOPER	NEEDLE HOLDER	FEED MAIN	ECC. DIFF	STITCH TYPE	NDL	
						BODY	FINGER										
504/V-71	2	205403	205413	-----	205416	201152E	201159C	-----	210584	205423	202828	-----	12	10	505	DCX27	
		801-134	830-143	-----	830-144	820-021	863-212	-----	843-004	870-006	810-224	-----	-----	-----	-----	-----	#9
	3	205404	"	-----	"	"	"	-----	"	"	" #4	-----	-----	-----	-----	-----	-----
	4	205405	"	-----	"	"	"	-----	"	"	"	-----	-----	-----	-----	-----	-----
512/V-79	2	205432	205433	-----	205434	201152E	201396B	-----	210584	205423	202828	208905	12	10	512	DCX27	
		801-143	830-162	-----	830-163	820-021	863-215	-----	843-004	870-006	810-224	843-014	-----	-----	-----	-----	#11
	2	205436	"	-----	"	"	201310A	-----	"	"	" #4	-----	-----	-----	-----	-----	-----
	2	205437	"	-----	"	"	863-201	-----	"	"	"	-----	-----	-----	-----	-----	-----
DCR-942	3	202403	202733	202734	-----	202434	202453	-----	-----	-----	202828	-----	-----	-----	504	DCX27	
		801-767	830-414	832-002	-----	820-320	"	-----	-----	-----	810-224	-----	-----	-----	-----	-----	#16
	4	205832	"	-----	"	"	"	-----	-----	-----	" #4	-----	-----	-----	-----	-----	-----
	4	801-768	"	-----	"	"	"	-----	-----	-----	"	-----	-----	-----	-----	-----	-----

# OTHER GAUGE PARTS THAN LISTED ABOVE

MACHINE TYPE	LOWER LOOPER	NEEDLE GUARD		UPPER KNIFE
		(FRONT)	(REAR)	
504/V-71	202408	201453B	202474A	201121A
	810-016	561-027	561-214	870-214
512/V-79	"	201454B	202688A	205258
	"	561-028	561-217	870-007
DCR-942	"	-----	202490	-----
	"	-----	561-060	-----

## SPECIFIC PARTS LIST

MACHINE TYPE	TYPE PLATE (BLANK)	NEEDLE BAR CRANK (REAR)	NEEDLE THREAD TENSION SPRING	MAIN FEED LINK BUSHING	CLOTH PLATE FABRIC GUARD
503/V-25	205803	201360B 323-576-010	201037 323-642-001	201099 323-676-013	202651A 323-560-076
504/V-5	205802	"	201086 323-642-003	201154 323-676-019	202796 323-560-233
504/V-7	"	"	201037 323-642-001	201099 323-676-013	202651A 323-560-076
504/V-43	"	"	"	"	202796 323-560-233
504/V-45	"	"	"	"	"
504/V-47	"	"	"	"	"
514/V-11	205804	201441B 323-576-011	"	"	202651A 323-560-076
514/V-12	"	"	"	"	"
514/V-41	"	"	"	"	202796 323-560-233
514/V-42	"	"	"	"	"
504/V-71	205802	201360B 323-576-010	"	"	205518 323-560-056
514/V-79	205804	201441B 323-576-011	"	"	"
DCR-942	205784	"	201068 323-642-002	202309 323-676-094	-----

NEW PRODUCT CODE NO.	PART NO.	PAGE	REF.	NEW PRODUCT CODE NO.	PART NO.	PAGE	REF.	NEW PRODUCT CODE NO.	PART NO.	PAGE	REF.
323-400-009	205678	41	5	323-560-076	202651A	5	44	323-600-015	5053	11	31
323-400-010	205679	41	6	323-560-077	205836-FD	7	41	323-600-015	5053	13	4
323-400-012	201211B	41	3	323-560-078	205701	9	34	323-600-015	5053	25	13
323-400-013	205456	41	7	323-560-079	205713	9	36	323-600-015	5053	29	15
323-400-014	205457	41	4	323-560-080	205697	11	30	323-600-019	1175-3	13	8
323-400-016	205635	41	10	323-560-201	202660	5	27	323-600-019	1175-3	13	34
323-440-008	208915	41	24	323-560-229	202680	5	30	323-600-019	1175-3	21	7
323-440-009	208916	41	28	323-560-233	202796	5	45	323-600-019	1175-3	23	25
323-440-010	202437	13	25	323-561-028	201454B	13	30	323-600-019	1175-3	27	30
323-500-032	205689-FD	3	1	323-561-032	208747	5	11	323-600-019	1175-3	27	33
323-500-033	205690-FD	3	5	323-561-034	205685	5	12	323-600-019	1175-3	31	42
323-502-211	202639	27	20	323-561-035	202749	13	35	323-600-019	1175-3	41	25
323-502-211	202639	29	22	323-561-06C	202490	13	23	323-600-020	1170-1	19	15
323-505-015	201206A	41	1	323-561-062	201453	13	29	323-600-021	1206	5	20
323-505-022	306468	37	33	323-561-214	202474A	13	27	323-600-022	2022-4	11	17
323-508-002	201341	31	15	323-561-217	202688A	13	28	323-600-022	2022-4	17	23
323-510-013	202476-4	33	4	323-568-010	205698	9	38	323-600-022	2022-4	29	30
323-510-020	202937	5	37	323-568-011	205711	9	39	323-600-025	5064	17	54
323-510-025	205296	5	38	323-570-001	201299	31	12	323-600-026	2921	5	29
323-510-069	202648C	3	11	323-576-016	201360B	11	7	323-600-026	2921	19	37
323-510-080	205400	5	40	323-576-011	201441B	11	8	323-600-026	2921	29	37
323-510-081	205383	7	37	323-576-012	201381A	27	5	323-600-027	1174	25	2
323-510-082	205382	7	23	323-576-017	208424	11	15	323-600-028	5048	19	21
323-510-083	205387	7	25	323-576-048	202416	23	5	323-600-028	5048	19	23
323-510-085	205393	7	34	323-576-049	202395A	23	39	323-600-029	1196	21	18
323-510-089	208568	15	20	323-576-207	201079A	19	22	323-600-029	1196	29	50
323-510-090	208560	15	21	323-576-214	202710A	17	22	323-600-032	1202	7	6
323-510-156	202686B-HD	5	1	323-579-001	201010A	9	25	323-600-032	1202	19	39
323-510-157	205694	5	3	323-590-004	293	37	23	323-600-032	1202	21	24
323-510-158	205767	5	19	323-591-003	204623	11	33	323-600-032	1202	21	29
323-510-159	201200-FD	5	21	323-591-011	208903	11	35	323-600-032	1202	21	34
323-510-160	205714	5	48	323-593-001	201093A	21	22	323-600-032	1202	23	29
323-510-161	202467-FD	7	3	323-593-002	201096A	21	27	323-600-032	1202	41	16
323-510-162	205388-FD	7	26	323-593-002	201096A	23	27	323-600-032	1202	41	22
323-510-163	202439-FD	7	48	323-593-008	205410	21	32	323-600-033	1892	9	15
323-510-164	201809	19	40	323-593-009	205414	21	35	323-600-034	1459	17	3
323-510-231	202687	3	15	323-600-001	5078	3	3	323-600-034	1459	19	3
323-510-244	202456	33	16	323-600-002	1175-2	3	19	323-600-035	5086	21	26
323-525-007	202925	27	1	323-600-002	1175-2	9	2	323-600-036	201100	21	44
323-525-022	202412	23	1	323-600-002	1175-2	9	13	323-600-036	201100	21	50
323-525-200	201073B	19	13	323-600-002	1175-2	9	20	323-600-037	1458	9	41
323-525-227	202619A	17	13	323-600-002	1175-2	9	33	323-600-037	1458	23	4
323-530-019	205292	27	11	323-600-002	1175-2	13	6	323-600-037	1458	31	11
323-530-030	205409	19	29	323-600-002	1175-2	13	16	323-600-038	5095	7	9
323-530-031	208598	29	16	323-600-002	1175-2	13	24	323-600-038	5095	17	40
323-530-119	205704	29	32	323-600-002	1175-2	21	37	323-600-038	5095	21	14
323-530-222	201160B	29	1	323-600-002	1175-2	25	17	323-600-038	5095	23	21
323-530-223	202827	17	33	323-600-002	1175-2	27	19	323-600-038	5095	31	37
323-533-005	245	39	18	323-600-002	1175-2	31	16	323-600-039	5113	31	66
323-535-008	385	37	1	323-600-002	1175-2	41	2	323-600-043	2022	21	21
323-535-009	388	37	2	323-600-004	5060	9	26	323-600-043	2022	27	21
323-535-010	384	37	17	323-600-004	5060	9	28	323-600-043	2022	29	31
323-535-210	202605	11	3	323-600-004	5060	31	13	323-600-044	5088	27	16
323-540-004	201080	19	24	323-600-006	1234	5	6	323-600-046	1170-3	11	23
323-540-007	201296	31	8	323-600-006	1234	7	45	323-600-047	5164	29	23
323-540-008	201297	31	10	323-600-007	2022-3	21	2	323-600-050	5089	29	43
323-540-013	205261	9	10	323-600-007	2022-3	23	23	323-600-051	1231	17	47
323-540-025	202640A	29	25	323-600-007	2022-3	29	3	323-600-051	1231	29	48
323-540-030	205401	9	18	323-600-008	5080	9	43	323-600-054	5142	7	38
323-540-066	202730	9	23	323-600-009	5081	9	44	323-600-054	5142	29	8
323-540-067	202413	23	10	323-600-010	5010	9	46	323-600-055	5097	29	9
323-540-223	202622B	17	27	323-600-011	5002	17	14	323-600-056	2213-1	7	30
323-540-227	202626A	17	30	323-600-011	5002	19	14	323-600-056	2213-1	23	2
323-540-239	202606	11	14	323-600-011	5002	23	6	323-600-056	2213-1	31	2
323-546-001	201017A	9	42	323-600-012	1457	11	25	323-600-057	5117	3	13
323-550-001	202431-1	25	23	323-600-012	1457	25	5	323-600-057	5117	3	22
323-550-002	202431-2	25	24	323-600-012	1457	25	7	323-600-057	5117	7	47
323-550-002	202431-2	39	33	323-600-013	5084	17	16	323-600-057	5117	7	49
323-550-003	202431-3	25	25	323-600-013	5084	17	19	323-600-057	5117	15	28
323-550-003	202431-3	39	32	323-600-013	5084	23	9	323-600-057	5117	31	5
323-550-004	202431-4	25	26	323-600-013	5084	27	4	323-600-057	5117	33	15
323-550-004	202431-4	39	34	323-600-013	5084	29	27	323-600-058	201301	31	18
323-560-049	205398	5	34	323-600-014	4009-1	5	8	323-600-058	201301	31	23
323-560-050	205389	7	27	323-600-014	4009-1	5	18	323-600-066	5149A	9	40
323-560-056	205518	5	46	323-600-014	4009-1	7	40	323-600-067	2237	23	40
323-560-071	205691	3	9	323-600-014	4009-1	15	16	323-600-068	1216	5	23
323-560-072	205693-FD	3	21	323-600-014	4009-1	15	38	323-600-068	1216	5	26
323-560-073	202750	5	31	323-600-014	4009-1	27	27	323-600-068	1216	5	35
323-560-074	202755	5	32	323-600-014	4009-1	33	9	323-600-068	1216	5	39
323-560-075	202741	5	33	323-600-014	4009-1	33	20	323-600-068	1216	5	41



NEW PRODUCT CODE NO.	PART NO.	PAGE	REF. NO.	NEW PRODUCT CODE NO.	PART NO.	PAGE	REF. NO.	NEW PRODUCT CODE NO.	PART NO.	PAGE	REF. NO.
323-600-068	1216	5	43	323-600-414	5519	17	56	323-620-063	380	37	9
323-600-068	1216	5	47	323-600-414	5519	19	41	323-620-066	210766	33	23
323-600-068	1216	5	53	323-600-439	5422	7	42	323-620-116	202405	13	22
323-600-068	1216	7	5	323-600-445	4009-1HC	13	2	323-620-117	202781	23	41
323-600-068	1216	7	17	323-600-446	205544	5	49	323-620-118	202418	23	42
323-600-068	1216	7	24	323-600-447	202424	25	8	323-620-119	202426	25	3
323-600-068	1216	13	19	323-600-448	202442	25	19	323-620-120	205702	29	6
323-600-068	1216	13	26	323-600-449	205719	29	11	323-620-201	202200	21	19
323-600-068	1216	33	5	323-600-450	4909	39	31	323-620-202	202354	3	16
323-600-068	1216	41	29	323-604-004	201075	19	20	323-620-206	200654	11	19
323-600-069	1435	7	20	323-604-008	201161	29	2	323-620-207	201221A	7	11
323-600-069	1435	7	21	323-604-201	5082A	15	8	323-620-234	202625	17	34
323-600-069	1435	21	10	323-604-201	5082A	17	11	323-620-238	202712A	17	18
323-600-069	1435	23	12	323-604-201	5082A	19	11	323-620-239	202647A	29	17
323-600-074	2905	5	36	323-604-209	200152	31	27	323-620-240	202653	5	4
323-600-074	2905	41	8	323-604-211	201132B	27	34	323-625-019	205859	5	52
323-600-075	1732	13	11	323-604-222	200137	31	44	323-625-200	202865	7	14
323-600-075	1732	15	19	323-604-231	202461	33	7	323-627-001	201480	39	29
323-600-079	5184	33	17	323-605-006	5150B	31	62	323-627-002	202921	17	51
323-600-079	5184	41	19	323-605-007	5208B	31	63	323-627-020	198192	5	10
323-600-091	5359	15	31	323-605-010	4513	35	7	323-627-027	205764	35	5
323-600-092	5328	11	13	323-613-001	201482	15	6	323-627-208	202903	9	7
323-600-092	5328	17	59	323-613-001	201482	17	9	323-629-200	202641	29	13
323-600-092	5328	19	34	323-613-001	201482	19	9	323-629-201	202645	29	21
323-600-092	5328	21	4	323-615-002	200098	21	46	323-630-001	3044	7	22
323-600-092	5328	27	10	323-615-002	200098	21	53	323-630-001	3044	21	45
323-600-094	5305	17	42	323-615-002	200098	23	38	323-630-001	3044	21	52
323-600-095	5187	27	2	323-615-002	200098	23	43	323-630-001	3044	23	37
323-600-096	5345	29	35	323-615-003	201252	13	9	323-630-001	3044	23	44
323-600-105	5364	13	31	323-615-003	201252	37	10	323-630-001	3044	25	10
323-600-111	5059	5	2	323-615-007	201134	27	36	323-630-001	3044	29	10
323-600-136	5381	11	9	323-615-012	201185	7	7	323-630-001	3044	41	20
323-600-136	5381	13	14	323-615-012	201185	25	9	323-630-003	3091	41	27
323-600-136	5381	27	6	323-615-013	200821	7	13	323-630-009	5099	5	15
323-600-140	5441	31	58	323-615-013	200821	25	12	323-630-009	5099	7	12
323-600-200	1156	13	21	323-615-013	200821	25	16	323-630-016	5213	21	56
323-600-200	1156	19	19	323-615-015	201191	5	50	323-630-033	208447	15	2
323-600-200	1156	31	25	323-615-015	201191	33	18	323-630-033	208447	17	5
323-600-202	5030	29	45	323-615-015	201191	41	18	323-630-033	208447	19	5
323-600-205	202310	23	36	323-615-017	137142	41	9	323-630-039	4750	37	8
323-600-208	5198	3	14	323-615-018	137906	41	23	323-630-039	4750	37	31
323-600-224	9070-2	15	34	323-615-018	137906	41	26	323-630-040	4803	37	11
323-600-227	5003	5	14	323-615-018	137906	41	30	323-630-040	4803	37	16
323-600-227	5003	23	31	323-615-023	202924	21	57	323-630-040	4803	37	19
323-600-246	1186	13	36	323-615-027	202433	25	21	323-630-040	4803	37	22
323-600-255	5012	33	11	323-615-029	204806	31	64	323-630-040	4803	37	25
323-600-256	5029	29	19	323-615-048	210585	29	46	323-630-041	5476	37	35
323-600-257	5091	23	16	323-615-049	200162A	7	18	323-630-202	5137	15	15
323-600-263	5274	19	31	323-615-057	211376	27	17	323-630-202	5137	15	18
323-600-264	5146	17	36	323-615-068	205703	15	27	323-630-203	5260	27	35
323-600-268	1326	7	33	323-615-211	167066	5	16	323-630-213	3119	11	34
323-600-271	2193	33	6	323-615-211	167066	21	8	323-630-215	5020	31	51
323-600-290	5219	17	31	323-615-211	167066	23	26	323-632-002	208272	9	37
323-600-291	5220	17	38	323-615-216	202875	17	57	323-633-001	202920	17	50
323-600-296	5233	11	4	323-615-216	202875	19	42	323-634-001	202927	27	8
323-600-297	5234	11	6	323-615-228	202776	31	50	323-634-002	202908	9	3
323-600-300	5299	15	36	323-615-229	202287A	31	56	323-634-003	202907	9	4
323-600-300	5299	41	11	323-616-004	211301	7	43	323-634-004	200555	15	26
323-600-301	1189	3	29	323-617-002	202757A	17	21	323-634-204	200030	11	26
323-600-301	1189	27	13	323-617-200	202286	17	43	323-634-207	202777	31	41
323-600-303	5185	11	2	323-617-200	202286	19	18	323-635-002	202928	31	24
323-600-318	5261	31	48	323-617-200	202286	31	59	323-635-205	201422B	31	35
323-600-323	202476-3	33	3	323-618-006	201117	11	12	323-636-018	201300A	31	17
323-600-327	5237	3	6	323-618-006	201117	27	9	323-636-018	201300A	31	22
323-600-328	5163	3	7	323-618-007	200183	7	10	323-636-022	387	37	3
323-600-341	5292	11	20	323-618-009	202922	17	25	323-636-200	200136	31	26
323-600-341	5292	11	38	323-618-209	202868	29	5	323-636-200	200136	31	43
323-600-351	5312	11	16	323-620-001	201002	3	4	323-638-201	202030A	33	12
323-600-354	5138B	31	55	323-620-001	201002	3	8	323-639-003	201110	21	9
323-600-357	5293	7	15	323-620-006	201125	27	22	323-639-003	201110	23	11
323-600-368	5434	7	28	323-620-011	201202	5	24	323-639-014	202929	31	33
323-600-370	4905	35	15	323-620-037	205394	7	35	323-639-033	205441	17	58
323-600-395	4013	37	7	323-620-038	205395	7	36	323-639-034	208446	33	8
323-600-395	4013	37	30	323-620-039	205419	21	20	323-639-039	205763	31	28
323-600-396	4012	37	18	323-620-040	205495	11	5	323-639-046	201426A	31	45
323-600-396	4012	37	21	323-620-040	205495	17	15	323-639-049	202193	31	30
323-600-396	4012	37	24	323-620-040	205495	23	3	323-639-062	205842	23	14
323-600-397	4014	37	15	323-620-040	205495	27	3	323-639-063	201319A	31	19
323-600-398	4913	37	34	323-620-043	208713	15	25	323-639-201	202202	21	15
323-600-401	4904	35	11	323-620-057	210679	3	24	323-639-227	202745A	33	19

NEW PRODUCT CODE NO.	PART NO.	PAGE	REF. NO.	NEW PRODUCT CODE NO.	PART NO.	PAGE	REF. NO.	NEW PRODUCT CODE NO.	PART NO.	PAGE	REF. NO.
323-639-229	202472	33	21	323-676-019	201154	21	43	323-740-058	205408	17	39
323-639-237	201424A	31	47	323-676-021	202917	17	41	323-740-062	205470	35	10
323-640-001	201129	27	28	323-676-022	202919	17	49	323-740-070	208744	5	13
323-640-004	202930	31	34	323-676-025	204625A	11	27	323-740-089	373	37	4
323-640-010	205294	31	31	323-676-026	204627	11	28	323-740-090	374	37	6
323-640-031	208773	29	12	323-676-047	208448	15	3	323-740-091	383	37	14
323-640-203	200205	15	33	323-676-047	208448	17	6	323-740-092	377	37	26
323-640-228	201395	29	20	323-676-047	208448	19	6	323-740-093	378	37	28
323-641-009	205545	5	51	323-676-053	208599	29	18	323-740-094	379	37	29
323-641-010	205840	7	44	323-676-055	205402A	9	12	323-740-199	205841	7	46
323-641-201	202689	5	5	323-676-067	210125	17	26	323-740-221	202476-2	33	2
323-642-001	201037	15	4	323-676-081	205778	19	25	323-740-225	202724	13	33
323-642-002	201068	15	13	323-676-090	205846	9	19	323-740-300	205407	13	15
323-642-002	201068	17	7	323-676-091	201212D	9	24	323-740-301	202404	13	20
323-642-003	201086	15	11	323-676-092	205720	9	35	323-740-302	202425	25	4
323-642-003	201086	19	7	323-676-093	202414A	23	7	323-750-002	201107	23	33
323-643-001	201156	29	42	323-676-094	202309	23	35	323-750-005	205133	21	30
323-643-003	201186	7	16	323-676-095	202438	25	1	323-750-006	233	37	20
323-643-005	201203	5	25	323-676-207	202589	29	26	323-750-008	205417	21	38
323-643-012	202428	25	11	323-676-228	202623A	17	24	323-750-008	205417	23	32
323-643-013	205705	29	33	323-676-230	201115A	11	11	323-750-009	205418	21	39
323-643-210	201162A	29	4	323-676-230	201115A	27	7	323-750-019	205857	21	31
323-646-006	205467	35	3	323-676-253	201356A	11	10	323-758-005	205399	5	28
323-648-004	205765	35	6	323-676-260	202775	31	49	323-764-001	201294	31	6
323-649-001	201009	9	11	323-680-001	201139	23	8	323-764-002	201295	31	7
323-649-001	201009	9	17	323-680-002	201141	29	24	323-765-001	201296	9	27
323-649-001	201009	31	9	323-680-003	201164A	29	29	323-765-003	202429	25	15
323-649-002	201034A	13	3	323-680-021	202427	25	6	323-767-001	205378	31	1
323-650-001	208449	15	7	323-680-209	202756	29	26	323-774-002	205468	35	13
323-650-001	208449	17	10	323-683-002	201303	31	21	323-774-003	205469	35	14
323-650-001	208449	19	10	323-683-002	201303	31	32	323-780-010	208450	15	5
323-650-005	205843	23	17	323-683-003	201304	31	20	323-780-010	208450	17	8
323-653-003	202081	9	9	323-683-018	208427	11	22	323-780-010	208450	19	8
323-653-003	202081	17	29	323-683-026	303313	41	13	323-780-012	208621	11	24
323-653-005	202176	11	21	323-683-031	205844	23	18	323-780-018	386	37	36
323-653-005	202176	11	29	323-685-003	202199	31	29	323-780-027	205471	9	45
323-653-005	202176	17	32	323-685-003	202199	31	46	323-800-006	201293A	31	4
323-653-005	202176	17	35	323-685-004	202637B	27	18	323-800-009	201487	31	54
323-653-005	202176	21	16	323-685-028	381	37	12	323-800-016	201479	39	30
323-653-005	202176	23	13	323-685-200	202203	21	17	323-800-023	202916	17	46
323-653-009	202915	17	45	323-685-213	200155	33	24	323-800-024	202942	5	42
323-653-010	202990	9	8	323-685-214	200174	23	15	323-800-059	205391	7	31
323-653-012	202178	17	28	323-685-226	202491	13	32	323-800-061	208430	5	17
323-653-013	202174	17	52	323-685-234	202739	27	26	323-800-062	208563	15	24
323-653-016	202181	21	11	323-685-239	201438A	19	27	323-800-065	208487	33	10
323-653-017	208561	15	22	323-686-001	201130A	27	29	323-800-073	205708	3	28
323-653-016	208562	15	23	323-686-004	202901	9	6	323-800-084	375	37	5
323-653-019	208617	11	32	323-686-006	202923	19	26	323-800-084	375	37	27
323-653-020	205448	9	14	323-686-007	202940	9	1	323-800-119	205479	13	7
323-653-200	202864	9	22	323-686-017	205700	9	31	323-800-215	202849	17	12
323-653-202	200633	33	13	323-690-005	205735	33	25	323-800-215	202849	19	12
323-653-202	200633	33	22	323-692-041	208725	5	9	323-800-217	202663D	3	18
323-653-208	204273	9	21	323-692-133	205784	3	35	323-801-026	202542E	50	
323-653-212	202177	17	48	323-692-201	202526	3	25	323-801-027	202546E	50	
323-655-001	201004	3	27	323-716-004	202682A	29	49	323-801-028	202596E	50	
323-655-002	201338	31	14	323-716-016	303312A	41	12	323-801-029	202597E	50	
323-655-015	202355	3	31	323-716-209	202683	29	34	323-801-030	202554E	51	
323-655-015	202355	3	34	323-716-212	202737	31	65	323-801-031	202499E	51	
323-655-204	202662	3	17	323-720-006	202423	25	14	323-801-038	202616	50	
323-656-001	201328	31	39	323-720-007	202430	25	18	323-801-039	202617	50	
323-658-001	202476-1	33	1	323-720-008	202449	25	20	323-801-047	205255	51	
323-658-011	205833	31	52	323-728-003	201201	5	22	323-801-062	205320	50	
323-658-012	205768	31	53	323-728-208	200159A	7	8	323-801-063	205321	50	
323-658-203	202455	33	14	323-730-003	201101	21	47	323-801-064	205322	50	
323-659-200	132	39	3	323-730-012	208425	11	18	323-801-065	205323	50	
323-660-200	153	39	16	323-730-023	205850	21	40	323-801-066	205324	50	
323-663-003	201329	31	40	323-730-024	202417	23	34	323-801-068	205326	50	
323-663-004	201335	31	60	323-730-209	202709A	17	17	323-801-069	205327	50	
323-663-008	202905	9	32	323-732-001	126	39	17	323-801-070	202702	51	
323-663-026	205390	7	29	323-734-205	201404	5	7	323-801-134	205403	52	
323-663-027	205392	7	32	323-734-206	200163A	7	19	323-801-135	205404	52	
323-663-028	205440	31	61	323-740-002	201088	19	38	323-801-136	205405	52	
323-663-106	205692	3	10	323-740-003	201092A	13	5	323-801-143	205432	52	
323-663-210	202716	3	2	323-740-006	201184	7	4	323-801-144	205436	52	
323-663-214	201423	31	36	323-740-010	201243A	15	17	323-801-145	205437	52	
323-663-216	202649A	3	12	323-740-011	201232A	41	15	323-801-222	202618	50	
323-672-001	202902	9	5	323-740-012	201485	41	17	323-801-315	202675	51	
323-672-001	202902	9	29	323-740-016	202705A	15	29	323-801-340	205235	50	
323-676-013	201099	21	42	323-740-021	201167A	29	7	323-801-341	202616	50	
323-676-013	201099	21	48	323-740-057	205406	13	12	323-801-342	205237	50	

NEW PRODUCT CODE NO.	PART NO.	PAGE	REF. NO.	NEW PRODUCT CODE NO.	PART NO.	PAGE	REF. NO.	NEW PRODUCT CODE NO.	PART NO.	PAGE	REF. NO.
323-801-343	205238	50		323-850-096	202420B	23	22	323-945-206	123	39	19
323-801-355	202982	51		323-850-097	202422	23	24	324-600-200	1227	23	19
323-801-356	202983	51		323-850-098	209150	31	57	325-600-001	5373	17	20
323-801-364	205243	51		323-850-200	201074A	19	16	325-600-012	206120	21	51
323-801-365	205244	51		323-850-221	200041	15	32	325-600-035	5092	25	22
323-801-767	202403	13	17	323-850-249	202642	29	14	325-615-006	206337	35	2
323-801-767	202403	52		323-850-251	202201A	21	12	325-615-006	206337	35	4
323-801-768	205832	13	18	323-851-003	202999	11	1	325-620-007	206215	13	13
323-801-768	205832	52		323-851-014	205295	17	60	325-630-004	206336	35	1
323-802-001	201181C	7	2	323-851-045	376	37	32	325-653-204	202175	9	16
323-802-013	205396	7	39	323-851-047	208777	15	37	325-653-204	202175	21	41
323-810-016	202408	19	33	323-851-059	205770	15	14	325-676-008	206119	21	49
323-810-222	202703	19	32	323-854-200	201265B	29	47				
323-810-224	202828	50		323-854-200	201265B	50					
323-810-224	202828	51		323-854-200	201265B	51					
323-810-224	202828	52		323-860-006	201089	17	55				
323-810-226	202840	50		323-860-200	201048A	17	1				
323-820-019	201230C	50		323-860-200	201048A	17	2				
323-820-019	201230C	51		323-860-200	201048A	19	1				
323-820-021	201152E	29	38	323-860-200	201048A	19	2				
323-820-021	201152E	50		323-863-007	201224B	50					
323-820-021	201152E	52		323-863-059	202453A	29	41				
323-820-285	205252	50		323-863-201	201310A	51					
323-820-286	202799	50		323-863-201	201310A	52					
323-820-286	202799	51		323-863-212	201155C	29	39				
323-820-287	205253	50		323-863-212	201155C	50					
323-820-287	205253	51		323-863-212	201155C	52					
323-820-320	202434	29	40	323-863-215	201396B	51					
323-820-320	202434	52		323-863-215	201396B	52					
323-830-001	201094B	50		323-866-023	202732	19	36				
323-830-001	201094B	51		323-866-214	202706A	15	35				
323-830-038	202543D	50		323-866-216	202631A	17	53				
323-830-038	202543D	51		323-866-217	202633	19	35				
323-830-143	205413	52		323-870-006	205423	27	25				
323-830-144	205416	52		323-870-006	205423	39	28				
323-830-162	205433	52		323-870-006	205423	52					
323-830-163	205434	52		323-870-007	205258	27	15				
323-830-233	201097C	50		323-870-210	202295	27	23				
323-830-252	202634A	50		323-870-210	202295	39	27				
323-830-252	202634A	51		323-870-210	202295	50					
323-830-255	205250	50		323-870-210	202295	51					
323-830-255	205250	51		323-870-211	201127	27	24				
323-830-256	202544D	50		323-870-211	201127	39	26				
323-830-256	202544D	51		323-870-211	201127	50					
323-830-330	205249	50		323-870-214	201121A	27	14				
323-830-331	202535C	50		323-873-200	202451	29	36				
323-830-332	202798	50		323-880-005	200	39	10				
323-830-332	202798	51		323-880-007	130A	39	21				
323-830-333	202854A	50		323-880-010	282	39	6				
323-830-333	202854A	51		323-880-011	283	39	7				
323-830-414	202733	23	28	323-880-012	284	39	8				
323-830-414	202733	52		323-880-014	286	39	9				
323-832-002	202734	23	30	323-880-016	272	39	24				
323-832-002	202734	52		323-880-212	152	39	11				
323-843-004	210584	29	44	323-882-001	201330	3	20				
323-843-004	210584	50		323-885-001	127	39	12				
323-843-004	210584	51		323-885-002	128	39	13				
323-843-004	210584	52		323-885-003	129	39	14				
323-843-013	208904	11	36	323-885-200	179	39	22				
323-843-014	208905	11	37	323-886-001	131	39	15				
323-843-014	208905	51		323-891-204	202794	31	38				
323-843-014	208905	52		323-900-001	201288A	31	3				
323-847-002	202728	19	28	323-900-003	202466	7	1				
323-847-003	202736	19	30	323-900-045	208488	15	1				
323-850-005	201109	21	5	323-900-045	208488	15	9				
323-850-008	201131A	27	31	323-900-046	208489	15	10				
323-850-012	201500	41	14	323-900-046	208489	19	4				
323-850-013	201233A	41	21	323-900-047	208490	15	12				
323-850-018	202638B	27	12	323-900-047	208490	17	4				
323-850-019	202914	17	44	323-940-007	369	37					
323-850-021	202495	15	30	323-940-008	370	37					
323-850-032	205319	41	31	323-940-009	371	37					
323-850-051	205420	21	6	323-945-001	154	39	23				
323-850-052	205421A	21	3	323-945-003	135A	39	4				
323-850-053	205422	21	13	323-945-007	178	39	25				
323-850-054	205424	27	32	323-945-011	205466	35	8				
323-850-058	202941B	21	1	323-945-014	205473	35	9				
323-850-078	382	37	13	323-945-015	134	39	2				
323-850-094	202790	19	17	323-945-017	9106	35	12				
323-850-095	205845	23	20	323-945-019	903	39	1				

PART NO.	NEW PRODUCT CODE NO.	PAGE	REF. NO.	PART NO.	NEW PRODUCT CODE NO.	PAGE	REF. NO.	PART NO.	NEW PRODUCT CODE NO.	PAGE	REF. NO.
123	323-945-206	39	19	1202	323-600-032	21	29	4012	323-600-396	37	18
126	323-732-001	39	17	1202	323-600-032	21	34	4012	323-600-396	37	21
127	323-885-001	39	12	1202	323-600-032	23	29	4012	323-600-396	37	24
128	323-885-002	39	13	1202	323-600-032	41	16	4013	323-600-395	37	7
129	323-885-003	39	14	1202	323-600-032	41	22	4013	323-600-395	37	30
130A	323-880-007	39	21	1206	323-600-021	5	20	4014	323-600-397	37	15
131	323-886-001	39	15	1216	323-600-068	5	23	4513	323-605-010	35	7
132	323-659-200	39	3	1216	323-600-068	5	26	4750	323-630-039	37	8
134	323-945-015	39	2	1216	323-600-068	5	35	4750	323-630-039	37	31
135A	323-945-003	39	4	1216	323-600-068	5	39	4803	323-630-040	37	11
152	323-880-212	39	11	1216	323-600-068	5	41	4803	323-630-040	37	16
153	323-660-200	39	16	1216	323-600-068	5	43	4803	323-630-040	37	19
154	323-945-001	39	23	1216	323-600-068	5	47	4803	323-630-040	37	22
178	323-945-007	39	25	1216	323-600-068	5	53	4803	323-630-040	37	25
179	323-885-200	39	22	1216	323-600-068	7	5	4904	323-600-401	35	11
200	323-880-005	39	10	1216	323-600-068	7	17	4905	323-600-370	35	15
233	323-750-006	37	20	1216	323-600-068	7	24	4909	323-600-450	39	31
245	323-533-005	39	18	1216	323-600-068	13	19	4913	323-600-398	37	34
272	323-880-016	39	24	1216	323-600-068	13	26	5002	323-600-011	17	14
282	323-880-010	39	6	1216	323-600-068	33	5	5002	323-600-011	19	14
283	323-880-011	39	7	1216	323-600-068	41	29	5002	323-600-011	23	6
284	323-880-012	39	8	1227	324-600-200	23	19	5003	323-600-227	5	14
286	323-880-014	39	9	1231	323-600-051	17	47	5003	323-600-227	23	31
293	323-590-004	37	23	1231	323-600-051	29	48	5010	323-600-010	9	46
369	323-940-007	37		1234	323-600-006	5	6	5012	323-600-255	33	11
370	323-940-008	37		1234	323-600-006	7	45	5020	323-630-215	31	51
371	323-940-009	37		1326	323-600-268	7	33	5029	323-600-256	29	19
373	323-740-089	37	4	1435	323-600-069	7	20	5030	323-600-202	29	45
374	323-740-090	37	6	1435	323-600-069	7	21	5048	323-600-028	19	21
375	323-800-084	37	5	1435	323-600-069	21	10	5048	323-600-028	19	23
375	323-800-084	37	27	1435	323-600-069	23	12	5053	323-600-015	11	31
376	323-851-045	37	32	1457	323-600-012	11	25	5053	323-600-015	13	4
377	323-740-092	37	26	1457	323-600-012	25	5	5053	323-600-015	25	13
378	323-740-093	37	28	1457	323-600-012	25	7	5053	323-600-015	29	15
379	323-740-094	37	29	1458	323-600-037	9	41	5059	323-600-111	5	2
380	323-620-063	37	9	1458	323-600-037	23	4	5060	323-600-004	9	26
381	323-685-028	37	12	1458	323-600-037	31	11	5060	323-600-004	9	28
382	323-850-078	37	13	1459	323-600-034	17	3	5060	323-600-004	31	13
383	323-740-091	37	14	1459	323-600-034	19	3	5064	323-600-025	17	54
384	323-535-010	37	17	1732	323-600-075	13	11	5078	323-600-001	3	3
385	323-535-008	37	1	1732	323-600-075	15	19	5080	323-600-008	9	43
386	323-780-018	37	36	1892	323-600-033	9	15	5081	323-600-009	9	44
387	323-636-022	37	3	2022	323-600-043	21	21	5082A	323-604-201	15	8
388	323-535-009	37	2	2022	323-600-043	27	21	5082A	323-604-201	17	11
903	323-945-019	39	1	2022	323-600-043	29	31	5082A	323-604-201	19	11
1156	323-600-200	13	21	2022-3	323-600-007	21	2	5084	323-600-013	17	16
1156	323-600-200	19	19	2022-3	323-600-007	23	23	5084	323-600-013	17	19
1156	323-600-200	31	25	2022-3	323-600-007	29	3	5084	323-600-013	23	9
1170-1	323-600-020	19	15	2022-4	323-600-022	11	17	5084	323-600-013	27	4
1170-3	323-600-046	11	23	2022-4	323-600-022	17	23	5084	323-600-013	29	27
1174	323-600-027	25	2	2022-4	323-600-022	29	30	5086	323-600-035	21	26
1175-2	323-600-002	3	19	2193	323-600-271	33	6	5088	323-600-044	27	16
1175-2	323-600-002	9	2	2213-1	323-600-056	7	30	5089	323-600-050	29	43
1175-2	323-600-002	9	13	2213-1	323-600-056	23	2	5091	323-600-257	23	16
1175-2	323-600-002	9	20	2213-1	323-600-056	31	2	5092	325-600-035	25	22
1175-2	323-600-002	9	33	2237	323-600-067	23	40	5095	323-600-038	7	9
1175-2	323-600-002	13	6	2905	323-600-074	5	36	5095	323-600-038	17	40
1175-2	323-600-002	13	16	2905	323-600-074	41	8	5095	323-600-038	21	14
1175-2	323-600-002	13	24	2921	323-600-026	5	29	5095	323-600-038	23	21
1175-2	323-600-002	21	37	2921	323-600-026	19	37	5095	323-600-038	31	37
1175-2	323-600-002	25	17	2921	323-600-026	29	37	5097	323-600-055	29	9
1175-2	323-600-002	27	19	3044	323-630-001	7	22	5099	323-630-009	5	15
1175-2	323-600-002	31	16	3044	323-630-001	21	45	5099	323-630-009	7	12
1175-2	323-600-002	41	2	3044	323-630-001	21	52	5113	323-600-039	31	66
1175-3	323-600-019	13	8	3044	323-630-001	23	37	5117	323-600-057	3	13
1175-3	323-600-019	13	34	3044	323-630-001	23	44	5117	323-600-057	3	22
1175-3	323-600-019	21	7	3044	323-630-001	25	10	5117	323-600-057	7	47
1175-3	323-600-019	23	25	3044	323-630-001	29	10	5117	323-600-057	7	49
1175-3	323-600-019	27	30	3044	323-630-001	41	20	5117	323-600-057	15	28
1175-3	323-600-019	27	33	3091	323-630-003	41	27	5117	323-600-057	31	5
1175-3	323-600-019	31	42	3119	323-630-213	11	34	5117	323-600-057	33	15
1175-3	323-600-019	41	25	4009-1	323-600-014	5	8	5137	323-630-202	15	15
1186	323-600-246	13	36	4009-1	323-600-014	5	18	5137	323-630-202	15	18
1189	323-600-301	3	29	4009-1	323-600-014	7	40	5138B	323-600-354	31	55
1189	323-600-301	27	13	4009-1	323-600-014	15	16	5142	323-600-054	7	38
1196	323-600-029	21	18	4009-1	323-600-014	15	38	5142	323-600-054	29	8
1196	323-600-029	29	50	4009-1	323-600-014	27	27	5146	323-600-264	17	36
1202	323-600-032	7	6	4009-1	323-600-014	33	9	5149A	323-600-066	9	40
1202	323-600-032	19	39	4009-1	323-600-014	33	20	5150B	323-605-006	31	62
1202	323-600-032	21	24	4009-1HC	323-600-445	13	2	5163	323-600-328	3	7

PART NO.	NEW PRODUCT CODE NO.	PAGE	REF. NO.	PART NO.	NEW PRODUCT CODE NO.	PAGE	REF. NO.	PART NO.	NEW PRODUCT CODE NO.	PAGE	REF. NO.
5164	323-600-047	29	23	201009	323-649-001	31	9	201221A	323-620-207	7	11
5184	323-600-079	33	17	201010A	323-579-001	9	25	201224B	323-863-007	50	
5184	323-600-079	41	19	201017A	323-546-001	9	42	201230C	323-820-019	50	
5185	323-600-303	11	2	201034A	323-649-002	13	3	201230C	323-820-019	51	
5187	323-600-095	27	2	201037	323-642-001	15	4	201232A	323-740-011	41	15
5198	323-600-208	3	14	201048A	323-860-200	17	1	201233A	323-850-013	41	21
5208B	323-605-007	31	63	201048A	323-860-200	17	2	201243A	323-740-010	15	17
5213	323-630-016	21	56	201048A	323-860-200	19	1	201252	323-615-003	13	9
5219	323-600-290	17	31	201048A	323-860-200	19	2	201252	323-615-003	37	10
5220	323-600-291	17	38	201068	323-642-002	15	13	201265B	323-854-200	29	47
5233	323-600-296	11	4	201068	323-642-002	17	7	201265B	323-854-200	50	
5234	323-600-297	11	6	201073B	323-525-200	19	13	201265B	323-854-200	51	
5237	323-600-327	3	6	201074A	323-850-200	19	16	201288A	323-900-001	31	3
5260	323-630-203	27	35	201075	323-604-004	19	20	201293A	323-800-006	31	4
5261	323-600-318	31	48	201079A	323-576-207	19	22	201294	323-764-001	31	6
5274	323-600-263	19	31	201080	323-540-004	19	24	201295	323-764-002	31	7
5292	323-600-341	11	20	201086	323-642-003	15	11	201296	323-540-007	31	8
5292	323-600-341	11	38	201086	323-642-003	19	7	201297	323-540-008	31	10
5293	323-600-357	7	15	201088	323-740-002	19	38	201298	323-765-001	9	27
5299	323-600-300	15	36	201089	323-860-006	17	55	201299	323-570-001	31	12
5299	323-600-300	41	11	201092A	323-740-003	13	5	201300A	323-636-018	31	17
5305	323-600-094	17	42	201093A	323-593-001	21	22	201300A	323-636-018	31	22
5312	323-600-351	11	16	201094B	323-830-001	50		201301	323-600-058	31	18
5328	323-600-092	11	13	201094B	323-830-001	51		201301	323-600-058	31	23
5328	323-600-092	17	59	201096A	323-593-002	21	27	201303	323-683-002	31	21
5328	323-600-092	19	34	201096A	323-593-002	23	27	201303	323-683-002	31	32
5328	323-600-092	21	4	201097C	323-830-233	50		201304	323-683-003	31	20
5328	323-600-092	27	10	201099	323-676-013	21	42	201310A	323-863-201	51	
5345	323-600-096	29	35	201099	323-676-013	21	48	201310A	323-863-201	52	
5359	323-600-091	15	31	201100	323-600-036	21	44	201319A	323-639-063	31	19
5364	323-600-105	13	31	201100	323-600-036	21	50	201328	323-656-001	31	39
5373	323-600-001	17	20	201101	323-730-003	21	47	201329	323-663-003	31	40
5381	323-600-136	11	9	201107	323-750-002	23	33	201330	323-882-001	3	20
5391	323-600-136	13	14	201109	323-850-005	21	5	201335	323-663-004	31	60
5381	323-600-136	27	6	201110	323-639-003	21	9	201338	323-655-002	31	14
5422	323-600-439	7	42	201110	323-639-003	23	11	201341	323-508-002	31	15
5434	323-600-368	7	28	201115A	323-676-230	11	11	201356A	323-676-253	11	10
5441	323-600-140	31	58	201115A	323-676-230	27	7	201360B	323-576-010	11	7
5476	323-630-041	37	35	201117	323-618-006	11	12	201381A	323-576-012	27	5
5519	323-600-414	17	56	201117	323-618-006	27	9	201395	323-640-228	29	20
5519	323-600-414	19	41	201121A	323-870-214	27	14	201396B	323-863-215	51	
9070-2	323-600-224	15	34	201125	323-620-006	27	22	201396B	323-863-215	52	
9106	323-945-017	35	12	201127	323-870-211	27	24	201404	323-734-205	5	7
137142	323-615-017	41	9	201127	323-870-211	39	26	201422B	323-635-205	31	35
137906	323-615-018	41	23	201127	323-870-211	50		201423	323-633-214	31	36
137906	323-615-018	41	26	201129	323-640-001	27	28	201424A	323-639-237	31	47
137906	323-615-018	41	30	201130A	323-686-001	27	29	201426A	323-639-046	31	45
167066	323-615-211	5	16	201131A	323-850-008	27	31	201438A	323-685-239	19	27
167066	323-615-211	21	8	201132B	323-604-211	27	34	201441B	323-576-011	11	8
167066	323-615-211	23	26	201134	323-615-007	27	36	201453	323-561-062	13	29
198192	323-627-020	5	10	201139	323-680-001	23	8	201454B	323-561-028	13	30
200030	323-634-204	11	26	201141	323-680-002	29	24	201479	323-800-016	39	30
200041	323-850-221	15	32	201152E	323-820-021	29	38	201480	323-627-001	39	29
200098	323-615-002	21	46	201152E	323-820-021	50		201482	323-613-001	15	6
200098	323-615-002	21	53	201152E	323-820-021	52		201482	323-613-001	17	9
200098	323-615-002	23	38	201154	323-676-019	21	43	201482	323-613-001	19	9
200098	323-615-002	23	43	201155C	323-863-212	29	39	201485	323-740-012	41	17
200136	323-636-200	31	26	201155C	323-863-212	50		201487	323-800-009	31	54
200136	323-636-200	31	43	201155C	323-863-212	52		201500	323-850-012	41	14
200137	323-604-222	31	44	201156	323-643-001	29	42	201809	323-510-164	19	40
200152	323-604-209	31	27	201160B	323-530-222	29	1	202030A	323-638-201	33	12
200155	323-685-213	33	24	201161	323-604-008	29	2	202081	323-653-003	9	9
200159A	323-728-208	7	8	201162A	323-643-210	29	4	202081	323-653-003	17	29
200162A	323-615-049	7	18	201164A	323-680-003	29	29	202174	323-653-013	17	52
200163A	323-734-206	7	19	201167A	323-740-021	29	7	202175	325-653-204	9	16
200174	323-685-214	23	15	201181C	323-802-001	7	2	202175	325-653-204	21	41
200183	323-618-007	7	10	201184	323-740-006	7	4	202176	323-653-005	11	21
200205	323-640-203	15	33	201185	323-615-012	7	7	202176	323-653-005	11	29
200555	323-634-004	15	26	201185	323-615-012	25	9	202176	323-653-005	17	32
200633	323-653-202	33	13	201186	323-643-003	7	16	202176	323-653-005	17	35
200633	323-653-202	33	22	201191	323-615-015	5	50	202176	323-653-005	21	16
200654	323-620-206	11	19	201191	323-615-015	33	18	202176	323-653-005	23	13
200821	323-615-013	7	13	201191	323-615-015	41	18	202177	323-653-212	17	48
200821	323-615-013	25	12	201200-FD	323-510-159	5	21	202178	323-653-012	17	28
200821	323-615-013	25	16	201201	323-728-003	5	22	202181	323-653-016	21	11
201002	323-620-001	3	4	201202	323-620-011	5	24	202193	323-639-049	31	30
201002	323-620-001	3	8	201203	323-643-005	5	25	202199	323-685-003	31	29
201004	323-655-001	3	27	201206A	323-505-015	41	1	202199	323-685-003	31	46
201009	323-649-001	9	11	201211B	323-400-012	41	3	202200	323-620-201	21	19
201009	323-649-001	9	17	201212D	323-676-091	9	24	202201A	323-850-251	21	12

PART NO.	NEW PRODUCT CODE NO.	PAGE	REF. NO.	PART NO.	NEW PRODUCT CODE NO.	PAGE	REF. NO.	PART NO.	NEW PRODUCT CODE NO.	PAGE	REF. NO.
202202	323-639-201	21	15	202596E	323-801-028	50		202828	323-810-224	52	
202203	323-685-200	21	17	202597E	323-801-029	50		202840	323-810-226	50	
202286	323-617-200	17	43	202605	323-535-210	11	3	202849	323-800-215	17	12
202286	323-617-200	19	18	202606	323-540-239	11	14	202849	323-800-215	19	12
202286	323-617-200	31	59	202616	323-801-038	50		202854A	323-830-333	50	
202267A	323-615-229	31	56	202617	323-801-039	50		202854A	323-830-333	51	
202295	323-870-210	27	23	202618	323-801-222	50		202864	323-653-200	9	22
202295	323-870-210	39	27	202619A	323-525-227	17	13	202865	323-625-200	7	14
202295	323-870-210	50		202622B	323-540-223	17	27	202868	323-618-209	29	5
202295	323-870-210	51		202623A	323-676-228	17	24	202875	323-615-216	17	57
202309	323-676-094	23	35	202625	323-620-234	17	34	202875	323-615-216	19	42
202310	323-600-205	23	36	202626A	323-540-227	17	30	202901	323-686-004	9	6
202354	323-620-202	3	16	202631A	323-866-216	17	53	202902	323-672-001	9	5
202355	323-655-015	3	31	202633	323-866-217	19	35	202902	323-672-001	9	29
202355	323-655-015	3	34	202634A	323-830-252	50		202903	323-627-208	9	7
202395A	323-576-049	23	39	202634A	323-830-252	51		202905	323-663-008	9	32
202403	323-801-767	13	17	202637B	323-685-004	27	18	202907	323-634-003	9	4
202403	323-801-767	52		202638B	323-850-018	27	12	202908	323-634-002	9	3
202404	323-740-301	13	20	202639	323-502-211	27	20	202914	323-850-019	17	44
202405	323-620-116	13	22	202639	323-502-211	29	22	202915	323-653-009	17	45
202408	323-810-016	19	33	202640A	323-540-025	29	25	202916	323-800-023	17	46
202412	323-525-022	23	1	202641	323-629-200	29	13	202917	323-676-021	17	41
202413	323-540-067	23	10	202642	323-850-249	29	14	202919	323-676-022	17	49
202414A	323-676-093	23	7	202645	323-629-201	29	21	202920	323-633-001	17	50
202416	323-576-048	23	5	202647A	323-620-239	29	17	202921	323-627-002	17	51
202417	323-730-024	23	34	202648C	323-510-069	3	11	202922	323-618-009	17	25
202418	323-620-118	23	42	202649A	323-663-216	3	12	202923	323-686-006	19	26
202420B	323-850-096	23	22	202651A	323-560-076	5	44	202924	323-615-023	21	57
202422	323-850-097	23	24	202653	323-620-240	5	4	202925	323-525-007	27	1
202423	323-720-006	25	14	202660	323-560-201	5	27	202927	323-634-001	27	8
202424	323-600-447	25	8	202662	323-655-204	3	17	202928	323-635-002	31	24
202425	323-740-302	25	4	202663D	323-800-217	3	18	202929	323-639-014	31	33
202426	323-620-119	25	3	202675	323-801-315	51		202930	323-640-004	31	34
202427	323-680-021	25	6	202680	323-560-229	5	30	202937	323-510-020	5	37
202428	323-643-012	25	11	202682A	323-716-004	29	49	202940	323-686-007	9	1
202429	323-765-003	25	15	202683	323-716-209	29	34	202941B	323-850-058	21	1
202430	323-720-007	25	18	202686B-HD	323-510-156	5	1	202942	323-800-024	5	42
202431-1	323-550-001	25	23	202687	323-510-231	3	15	202982	323-801-355	51	
202431-2	323-550-002	25	24	202688A	323-561-217	13	28	202983	323-801-356	51	
202431-2	323-550-002	39	33	202689	323-641-201	5	5	202990	323-653-010	9	8
202431-3	323-550-003	25	25	202702	323-801-070	51		202999	323-851-003	11	1
202431-3	323-550-003	39	32	202703	323-810-222	19	32	204273	323-653-208	9	21
202431-4	323-550-004	25	26	202705A	323-740-016	15	29	204623	323-591-003	11	33
202431-4	323-550-004	39	34	202706A	323-866-214	15	35	204625A	323-676-025	11	27
202433	323-615-027	25	21	202709A	323-730-209	17	17	204627	323-676-026	11	28
202434	323-820-320	29	40	202710A	323-576-214	17	22	204806	323-615-029	31	64
202434	323-820-320	52		202712A	323-620-238	17	18	205133	323-750-005	21	30
202437	323-440-010	13	25	202716	323-663-210	3	2	205235	323-801-340	50	
202438	323-676-095	25	1	202724	323-740-225	13	33	205236	323-801-341	50	
202439-FD	323-510-163	7	48	202728	323-847-002	19	28	205237	323-801-342	50	
202442	323-600-448	25	19	202730	323-540-066	9	23	205238	323-801-343	50	
202449	323-720-008	25	20	202732	323-866-028	19	36	205243	323-801-364	51	
202451	323-873-200	29	36	202733	323-830-414	23	28	205244	323-801-365	51	
202453		52		202733	323-830-414	52		205248		50	
202453A	323-863-059	29	41	202734	323-832-002	23	30	205249	323-830-330	50	
202455	323-658-203	33	14	202734	323-832-002	52		205250	323-830-255	50	
202456	323-510-244	33	16	202736	323-847-003	19	30	205250	323-830-255	51	
202461	323-604-231	33	7	202737	323-716-212	31	65	205252	323-820-285	50	
202466	323-900-003	7	1	202739	323-685-234	27	26	205253	323-820-287	50	
202467-FD	323-510-161	7	3	202741	323-560-075	5	33	205253	323-820-287	51	
202472	323-639-229	33	21	202745A	323-639-227	33	19	205255	323-801-047	51	
202474A	323-561-214	13	27	202749	323-561-035	13	35	205258	323-870-007	27	15
202476-1	323-658-001	33	1	202750	323-560-073	5	31	205261	323-540-013	9	10
202476-2	323-740-221	33	2	202755	323-560-074	5	32	205292	323-530-019	27	11
202476-3	323-600-323	33	3	202756	323-680-209	29	26	205294	323-640-010	31	31
202476-4	323-510-013	33	4	202757A	323-617-002	17	21	205295	323-851-014	17	60
202490	323-561-060	13	23	202775	323-676-260	31	49	205296	323-510-025	5	38
202491	323-685-226	13	32	202776	323-615-228	31	50	205319	323-850-032	41	31
202495	323-850-021	15	30	202777	323-634-207	31	41	205320	323-801-062	50	
202499E	323-801-031	51		202781	323-620-117	23	41	205321	323-601-063	50	
202526	323-692-201	3	25	202790	323-850-094	19	17	205322	323-801-064	50	
202535C	323-830-331	50		202794	323-891-204	31	38	205323	323-801-065	50	
202542E	323-801-026	50		202796	323-560-233	5	45	205324	323-801-066	50	
202543D	323-830-038	50		202798	323-830-332	50		205326	323-801-068	50	
202543D	323-830-038	51		202798	323-830-332	51		205327	323-801-069	50	
202544D	323-830-256	50		202799	323-820-286	50		205378	323-767-001	31	1
202544D	323-830-256	51		202799	323-820-286	51		205382	323-510-082	7	23
202546E	323-801-027	50		202827	323-530-223	17	33	205383	323-510-081	7	37
202554E	323-801-030	51		202828	323-810-224	50		205387	323-510-083	7	25
202589	323-676-207	29	28	202828	323-810-224	51		205388-FD	323-510-162	7	26

PART NO.	NEW PRODUCT CODE NO.	PAGE	REF. NO.	PART NO.	NEW PRODUCT CODE NO.	PAGE	REF. NO.	PART NO.	NEW PRODUCT CODE NO.	PAGE	REF. NO.
205389	323-560-050	7	27	205714	323-510-160	5	48	209150	323-850-098	31	57
205390	323-663-026	7	29	205719	323-600-449	29	11	210125	323-676-067	17	26
205391	323-800-059	7	31	205720	323-676-092	9	35	210584	323-843-004	29	44
205392	323-663-027	7	32	205735	323-690-005	33	25	210584	323-843-004	50	
205393	323-510-085	7	34	205763	323-639-039	31	28	210584	323-843-004	51	
205394	323-620-037	7	35	205764	323-627-027	35	5	210584	323-843-004	52	
205395	323-620-038	7	36	205765	323-648-004	35	6	210585	323-615-048	29	46
205396	323-802-013	7	39	205767	323-510-158	5	19	210679	323-620-057	3	24
205398	323-560-049	5	34	205768	323-658-012	31	53	210766	323-620-066	33	23
205399	323-758-005	5	28	205770	323-851-059	15	14	211301	323-616-004	7	43
205400	323-510-080	5	40	205778	323-676-081	19	25	211376	323-615-057	27	17
205401	323-540-030	9	18	205784	323-692-133	3	35	303312A	323-716-016	41	12
205402A	323-676-055	9	12	205832	323-801-768	13	18	303313	323-683-026	41	13
205403	323-801-134	52		205832	323-801-768	52		306468	323-505-022	37	33
205404	323-801-135	52		205833	323-658-011	31	52				
205405	323-801-136	52		205835	323-400-016	41	10				
205406	323-740-057	13	12	205836-FD	323-560-077	7	41				
205407	323-740-300	13	15	205840	323-510-158	5	19				
205408	323-740-058	17	39	205841	323-740-199	7	46				
205409	323-530-030	19	29	205842	323-639-062	23	14				
205410	323-593-008	21	32	205843	323-650-005	23	17				
205413	323-830-143	52		205844	323-683-031	23	18				
205414	323-593-009	21	35	205845	323-850-095	23	20				
205416	323-830-144	52		205846	323-676-090	9	19				
205417	323-750-008	21	38	205850	323-730-023	21	40				
205417	323-750-008	23	32	205857	323-750-019	21	31				
205418	323-750-009	21	39	205859	323-625-019	5	52				
205419	323-620-039	21	20	206119	325-676-008	21	49				
205420	323-850-051	21	6	206120	325-600-012	21	51				
205421A	323-850-052	21	3	206215	325-620-007	13	13				
205422	323-850-053	21	13	206336	325-630-004	35	1				
205423	323-870-006	27	25	206337	325-615-006	35	2				
205423	323-870-006	39	28	206337	325-615-006	35	4				
205423	323-870-006	52		208272	323-632-002	9	37				
205424	323-850-054	27	32	208424	323-576-017	11	15				
205432	323-801-143	52		208425	323-730-012	11	18				
205433	323-830-162	52		208427	323-683-018	11	22				
205434	323-830-163	52		208430	323-800-061	5	17				
205436	323-801-144	52		208446	323-639-034	33	8				
205437	323-801-145	52		208447	323-630-033	15	2				
205440	323-663-028	31	61	208447	323-630-033	17	5				
205441	323-639-033	17	58	208447	323-630-033	19	5				
205448	323-653-020	9	14	208448	323-676-047	15	3				
205456	323-400-013	41	7	208448	323-676-047	17	6				
205457	323-400-014	41	4	208448	323-676-047	19	6				
205466	323-945-011	35	8	208449	323-650-001	15	7				
205467	323-646-006	35	3	208449	323-650-001	17	10				
205468	323-774-002	35	13	208449	323-650-001	19	10				
205469	323-774-003	35	14	208450	323-780-010	15	5				
205470	323-740-062	35	10	208450	323-780-010	17	8				
205471	323-780-027	9	45	208450	323-780-010	19	8				
205473	323-945-014	35	9	208487	323-800-065	33	10				
205479	323-800-119	13	7	208488	323-900-045	15	1				
205495	323-620-040	11	5	208488	323-900-045	15	9				
205495	323-620-040	17	15	208489	323-900-046	15	10				
205495	323-620-040	23	3	208489	323-900-046	19	4				
205495	323-620-040	27	3	208490	323-900-047	15	12				
205518	323-560-056	5	46	208490	323-900-047	17	4				
205544	323-600-446	5	49	208560	323-510-090	15	21				
205545	323-641-009	5	51	208561	323-653-017	15	22				
205678	323-400-009	41	5	208562	323-653-018	15	23				
205679	323-400-010	41	6	208563	323-800-062	15	24				
205685	323-561-034	5	12	208568	323-510-089	15	20				
205689-FD	323-500-032	3	1	208598	323-530-031	29	16				
205690-FD	323-500-033	3	5	208599	323-676-053	29	18				
205691	323-560-071	3	9	208617	323-653-019	11	32				
205692	323-663-106	3	10	208621	323-780-012	11	24				
205693-FD	323-560-072	3	21	208713	323-620-043	15	25				
205694	323-510-157	5	3	208725	323-692-041	5	9				
205697	323-560-080	11	30	208744	323-740-070	5	13				
205698	323-568-010	9	38	208747	323-561-032	5	11				
205700	323-686-017	9	31	208773	323-640-031	29	12				
205701	323-560-078	9	34	208777	323-851-047	15	37				
205702	323-620-120	29	6	208903	323-591-011	11	35				
205703	323-615-068	15	27	208904	323-843-013	11	36				
205704	323-530-119	29	32	208905	323-843-014	11	37				
205705	323-643-013	29	33	208905	323-843-014	51					
205708	323-800-073	3	28	208905	323-843-014	52					
205711	323-568-011	9	39	208915	323-440-008	41	24				
205713	323-560-079	9	36	208916	323-440-009	41	28				

First edition May, 1976.  
Second edition November, 1980 (11805H570).