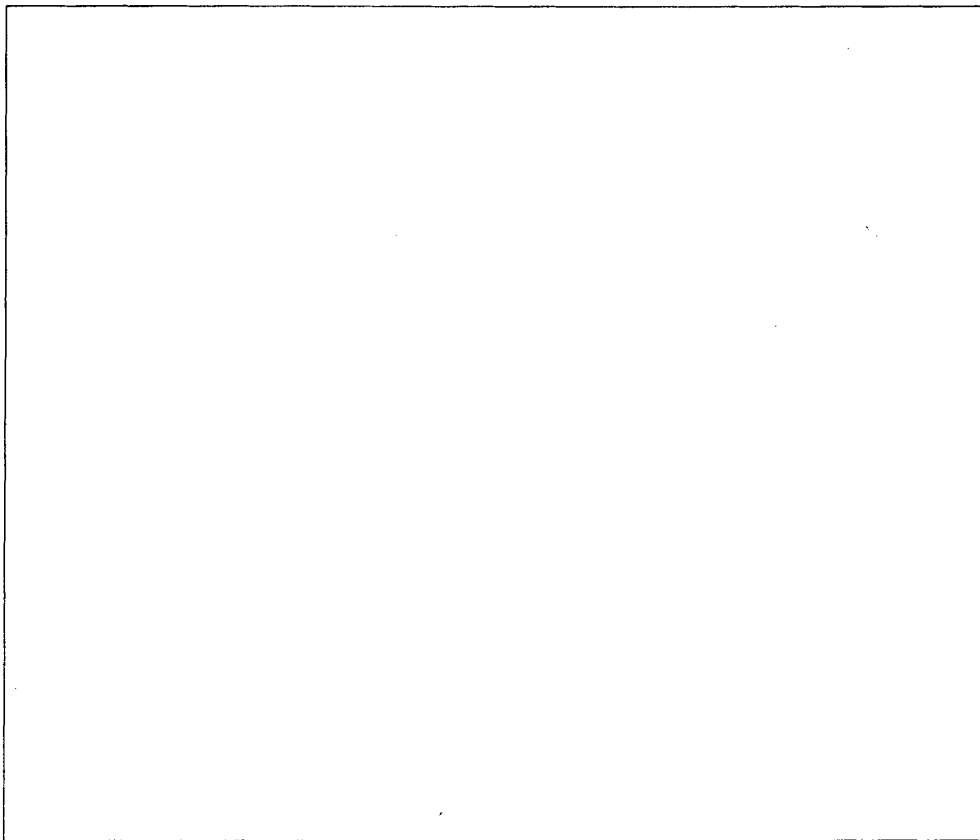


# **401 SERIES**

**MODELS: 401-02.03.04.13**

---





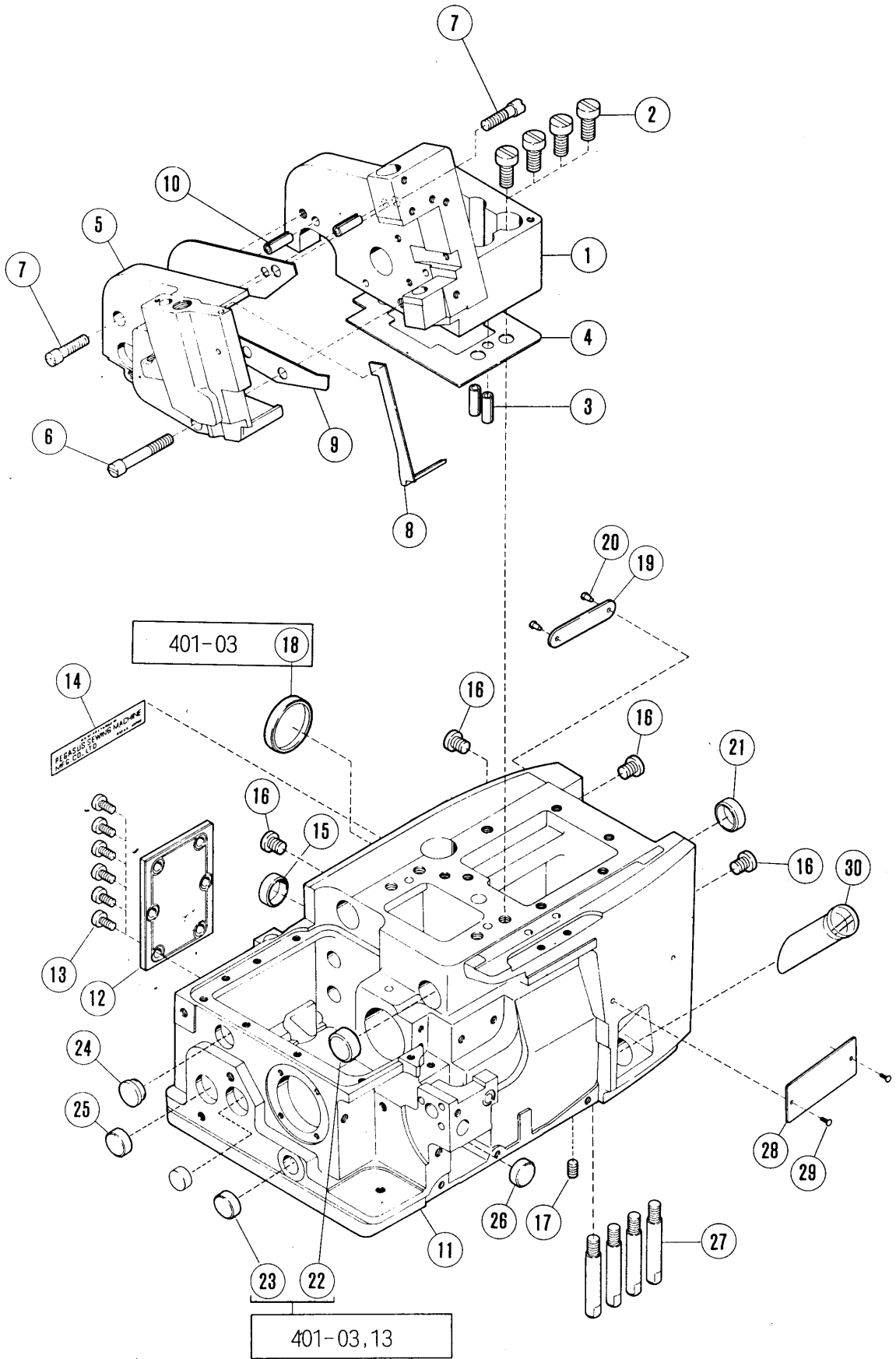
# INTRODUCTION

- This parts catalog covers the 401 machine manufactured December, 1990.
- On pages 2~43, each mechanism is arranged on facing pages, the first page containing the illustrations and the second page containing the data of the individual parts.  
The number given to each illustration is the REF. NO. on the parts list.
- Gauge parts construction charts/gauge parts lists.  
Gauge parts are used in some machine types and sewing gauges only. Pages 44 ~ 45 contain the gauge parts construction charts in order to know the illustrations and the combinations of the parts, and page 46 contain the gauge parts lists to obtain the data at a glance.
- A part number index is attached to the back of this catalog for convenience.
- When placing orders for parts from this catalog, use ONLY THE PART NUMBER.
- This parts catalog is applicable to your machine and is subject to change without notification.

## TABLE OF CONTENTS

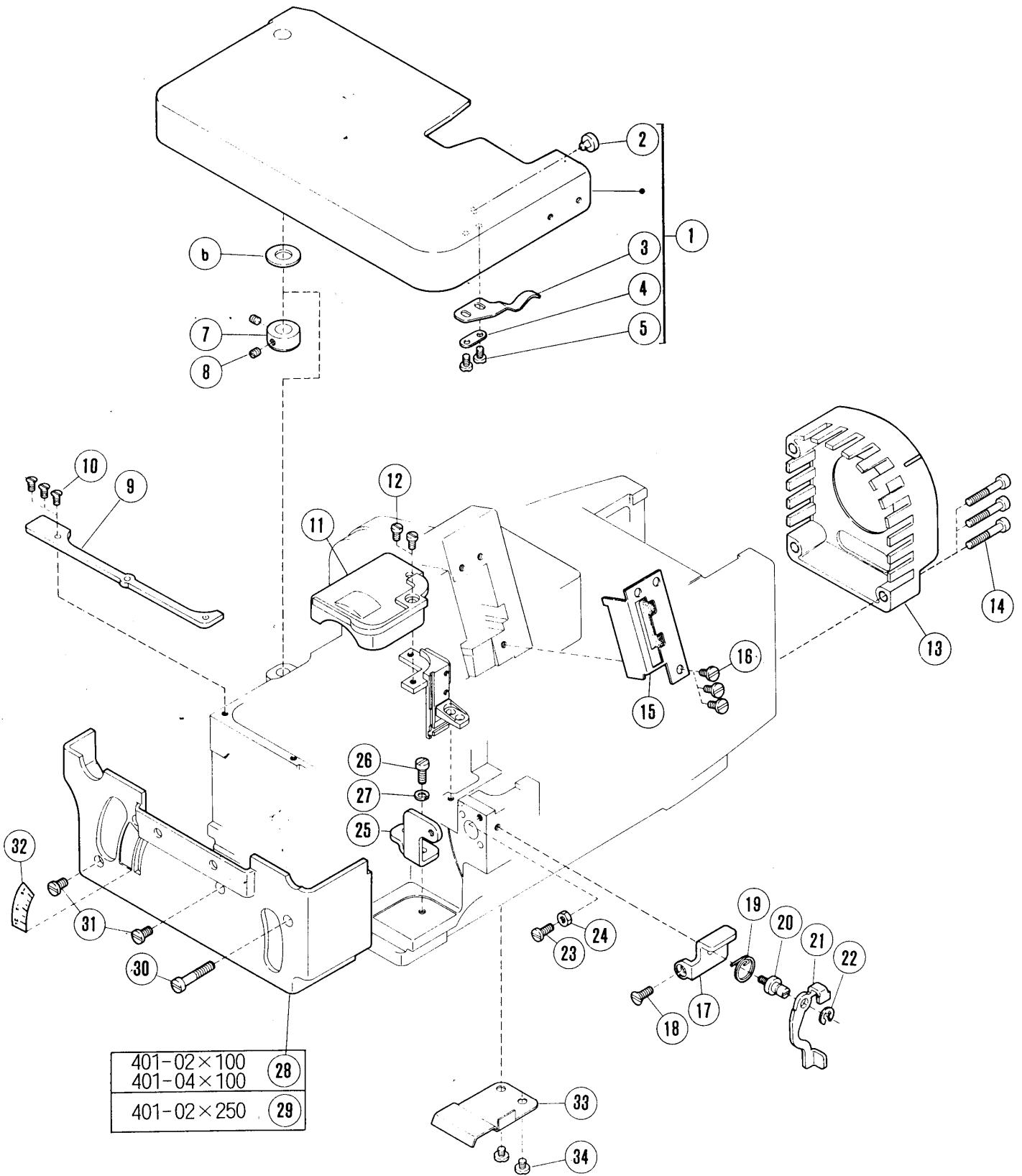
Page

Machine bed frame .....	2— 3
Cover (1) .....	4— 5
Cover (2) .....	6— 7
Crankshaft drive mechanism (1) .....	8— 9
Crankshaft drive mechanism (2) .....	10—11
Needle drive mechanism (1) .....	12—13
Needle drive mechanism (2) .....	14—15
Looper drive mechanism (1) .....	16—17
Looper drive mechanism (2) .....	18—19
Feed mechanism (1) .....	20—21
Feed mechanism (2) .....	22—23
Feed mechanism (3) .....	24—25
Knife drive mechanism .....	26—27
Presser foot mechanism (1) .....	28—29
Presser foot mechanism (2) .....	30—31
Lubrication mechanism .....	32—33
H. R. device .....	34—35
Attachment .....	36—37
Parts for semi-submerged installation .....	38—39
Thread stand .....	40—41
Accessories .....	42—43
Gauge parts construction charts .....	44—45
Gauge parts lists .....	46
Part number index .....	47—48



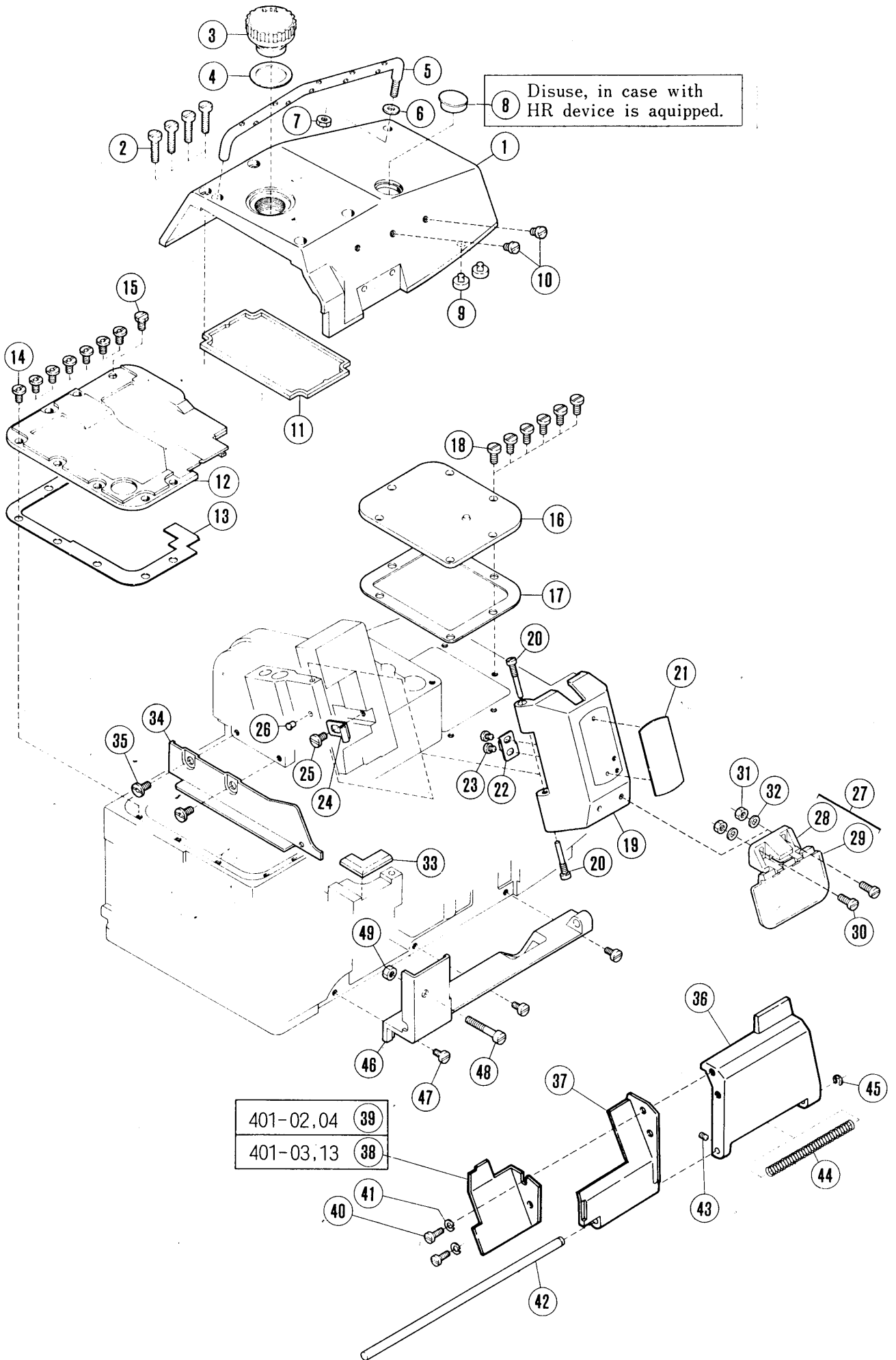
# MACHINE BED FRAME

REF. NO.	PART NO.	NAME	QT.
1	208602-FD	MACHINE ARM (RIGHT)	1
2	5078	SCREW	4
3	201002	PIN	2
4	204251	GASKET	1
5	208603-FD	MACHINE ARM (LEFT)	1
6	5237	SCREW	1
7	5163	SCREW	2
8	208434	OIL SHIELD	1
9	208169A	GASKET	1
10	201002	PIN	2
11	208624AFD	MACHINE BED	1
12	210005	COVER PLATE	1
13	5117	SCREW	6
14	202526	NAME PLATE	1
15	210003	PLUG	1
16	5332A	SCREW	4
17	2022	SCREW	1
18	206707	PLUG	1
19	230047A	SERIAL NUMBER PLATE	1
20	210679	PIN	2
21	204828	PLUG	1
22	210003	PLUG	1
23	208173	PLUG	1
24	240162	PLUG	1
25	210003	PLUG	1
26	208173	PLUG	1
27	204006	BED PIN	4
28	212280A	TYPE PLATE	1
29	210679	PIN	2



## COVER (1)

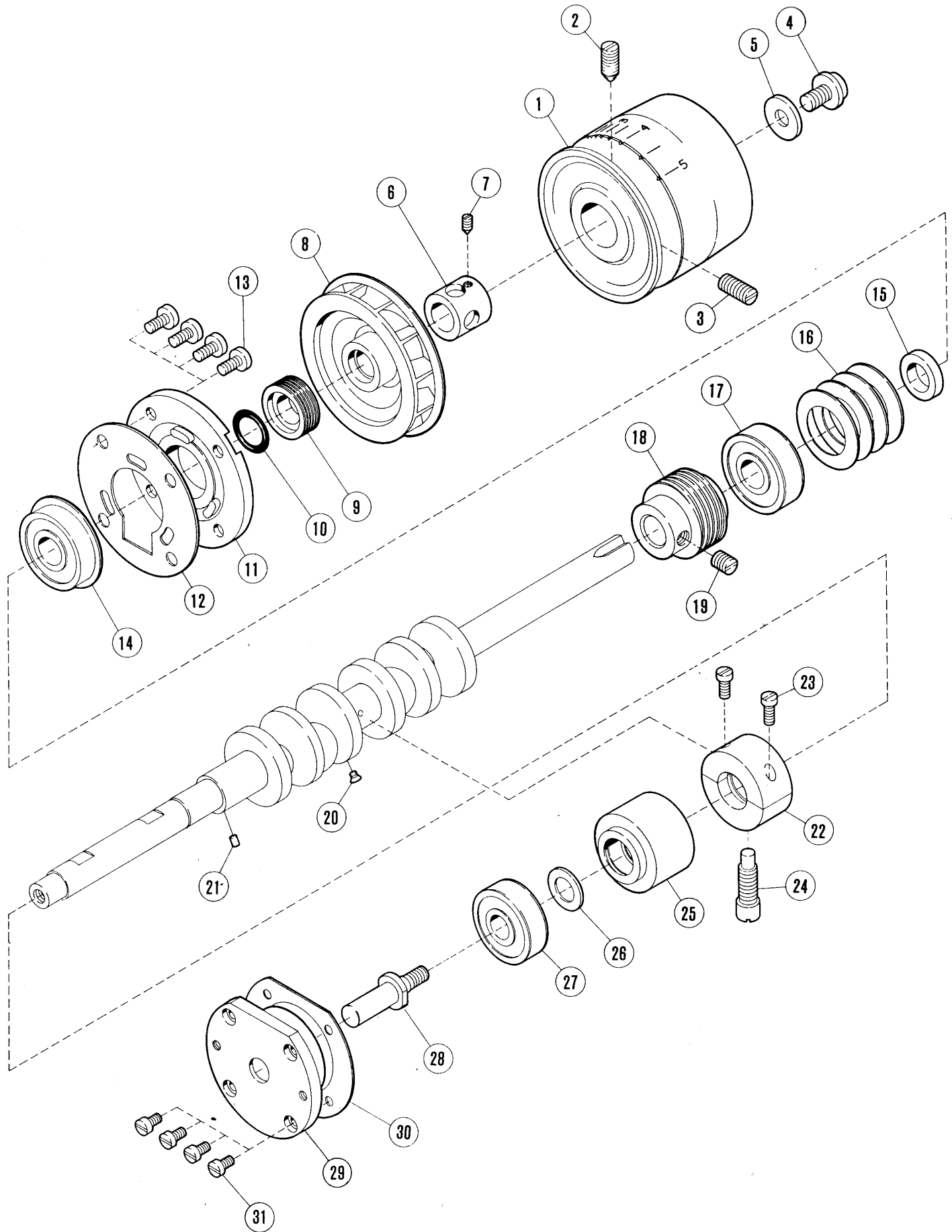
REF. NO.	PART NO.	NAME	QT.
1	208610	CLOTH PLATE COMPLETE	1
2	210025	CUSHION	1
3	204218	FLAT SPRING	1
4	200162A	WASHER	1
5	1216	SCREW	2
6	202576	WASHER	1
7	201139	COLLAR	1
8	1457	SCREW	2
9	204242	RUBBER PLUG	1
10	5022	SCREW	3
11	208945	COVER/FEED ECCENTRIC	1
12	5328	SCREW	2
13	204650A	COVER	1
14	5094	SCREW	3
15	208430	FACE PLATE COMPLETE	1
16	5535	SCREW	3
17	208741	STOPPER	1
18	1732	SCREW	1
19	208740	SPRING	1
20	208738	PIN	1
21	208737	LEVER	1
22	201629	RING	1
23	5002	SCREW	1
24	3044	NUT	1
25	204868	SPACER	1
26	2902	SCREW	1
27	202286	SPRING WASHER	1
28	204865AFA	SIDE COVER	1
29	208570-FA	SIDE COVER	1
30	5182	SCREW	1
31	5091	SCREW	2
32	209405	INDICATION PLATE	1
33	210007	FEED BAR COVER	1
34	2905	SCREW	2





## COVER (2)

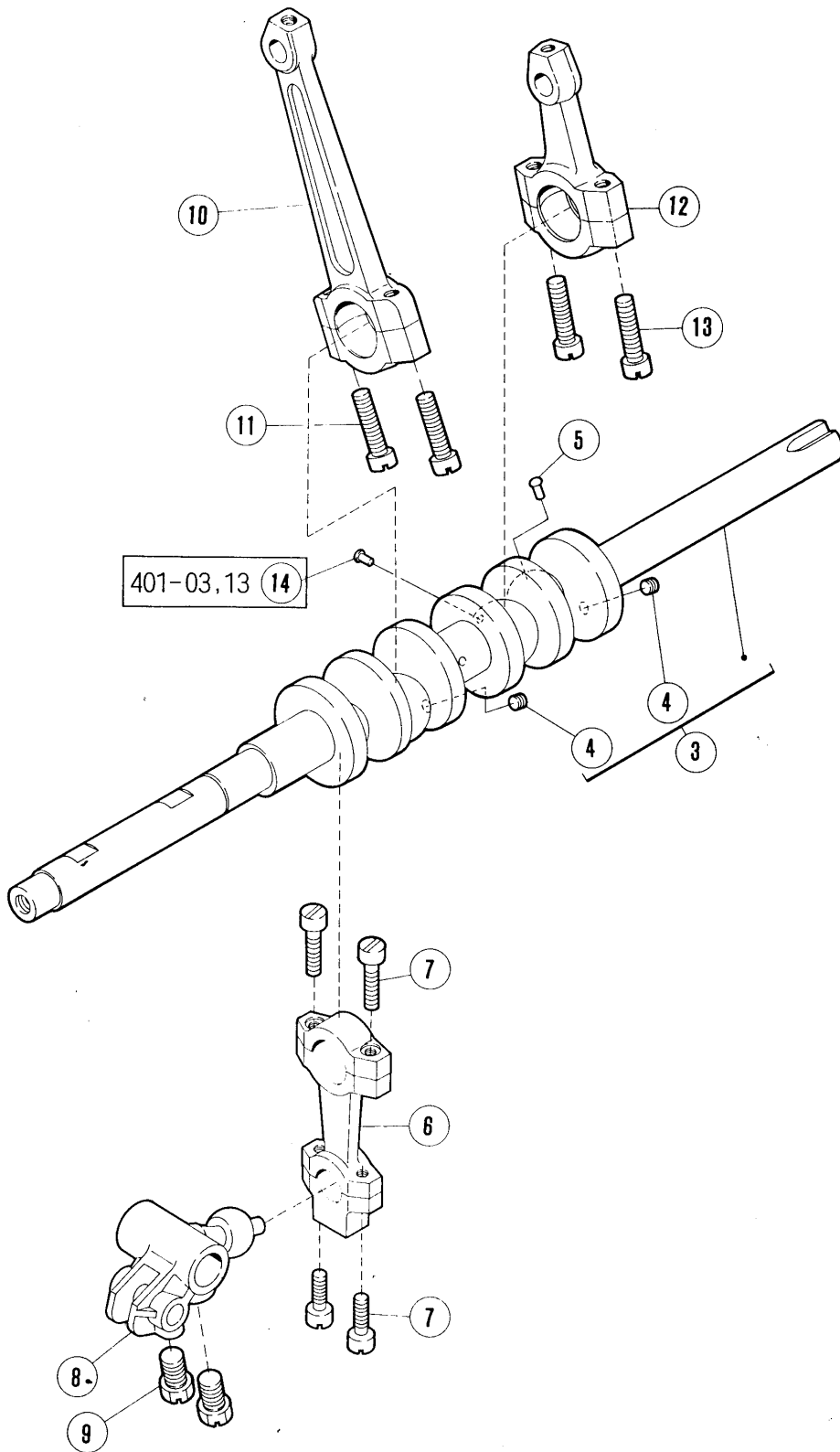
REF. NO.	PART NO.	NAME	QT.
1	208581-HD	TOP COVER	1
2	5152	SCREW	4
3	206457	OIL SIGHT WINDOW	1
4	206682	GASKET	1
5	208802	THREAD GUIDE BAR	1
6	200098	WASHER	1
7	3044	NUT	1
8	208339	PLUG	1
9	208482	CUSHION RUBBER	2
10	5091	SCREW	2
11	208481	O RING	1
12	208919	BED PLATE COMPLETE (LEFT)	1
13	208921	GASKET	1
14	4009-1	SCREW	7
15	5482	SCREW	1
16	208341	BED COVER PLATE (RIGHT)	1
17	208342	GASKET	1
18	5117	SCREW	6
19	208023A-HD	NEEDLE BAR COVER	1
20	202653	SCREW	2
21	208725	NAME PLATE	1
22	202689	FLAT SPRING	1
23	1234	SCREW	2
24	204223	FLAT SPRING	1
25	4009-1	SCREW	1
26	198192	CUSHION RUBBER	1
27	208747	EYE GUARD COMPLETE	1
28	208744	EYE GUARD BRACKET COMPLETE	1
29	205685	EYE GUARD	1
30	1175-3	SCREW	2
31	3091	NUT	2
32	137906	WASHER	2
33	204243	RUBBER PLUG	1
34	204848A	FABRIC GUARD	1
35	5458	SCREW	2
36	208383	FRONT COVER (RIGHT)	1
37	208384	FRONT COVER (LEFT)	1
38	208583	AUX. PLATE (LEFT)/FRONT COVER	1
39	208645	AUX. PLATE (LEFT)/FRONT COVER	1
40	1175-3	SCREW	2
41	201252	SPRING WASHER	2
42	208009	PIN	1
43	5146	SCREW	2
44	208010	SPRING	1
45	200555	RING	1
46	208008-FD	HINGE/FRONT COVER	1
47	1216	SCREW	3
48	5094	SCREW	1
49	5137	NUT	1



# CRANKSHAFT DRIVE MECHANISM (1)

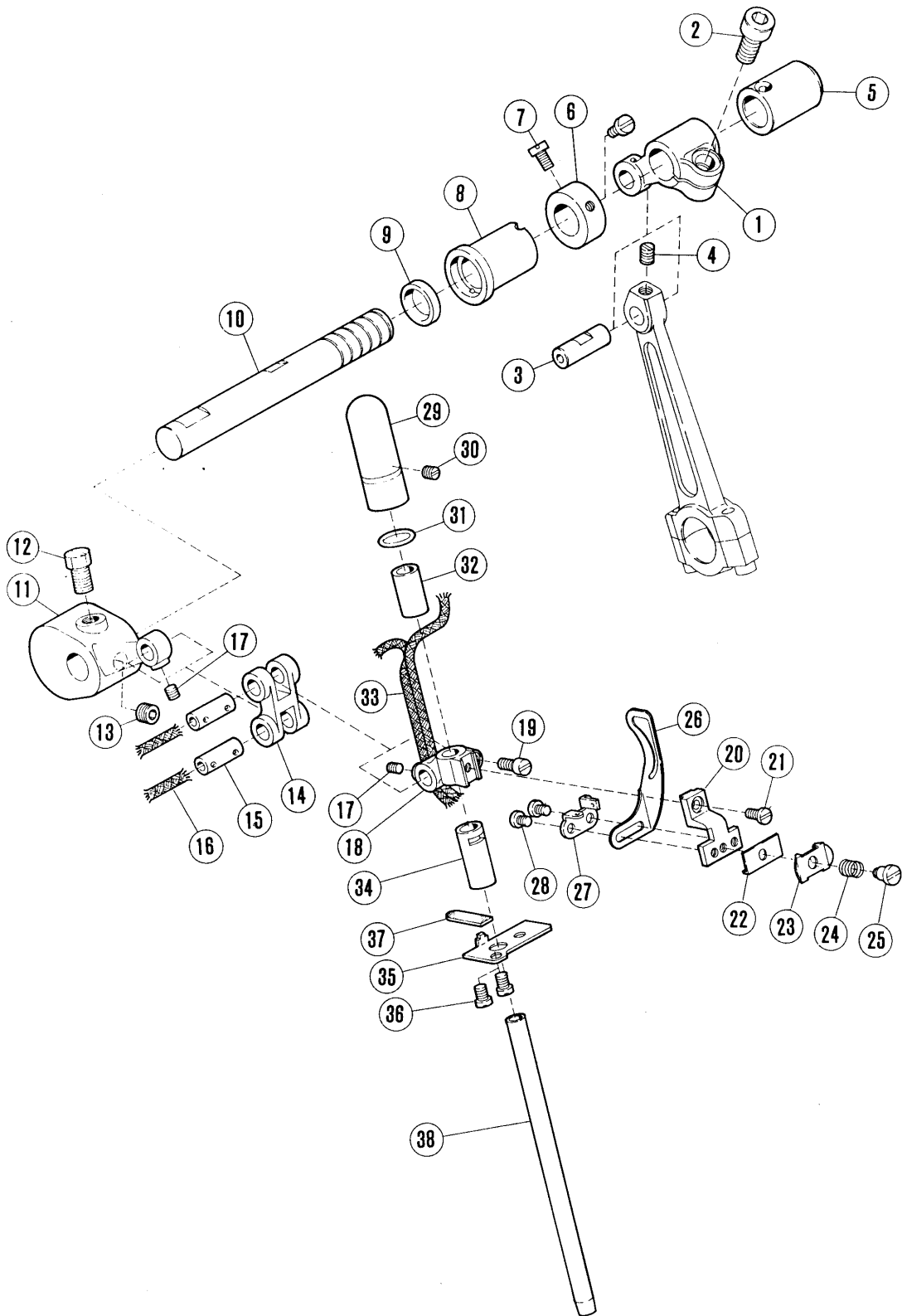
REF. NO.	PART NO.	NAME	QT.
1	208932-HD	MACHINE PULLEY	1
2	5080	SCREW	1
3	5081	SCREW	1
4	5549	SCREW	1
5	204023	WASHER	1
6	204026	SPACER	1
7	5267	SCREW	1
8	204198	COOLING FAN	1
9	208476	OIL SEAL COLLAR	1
10	208272	O RING	1
11	208477	PLATE	1
12	204022	GASKET	1
13	5117	SCREW	4
14	204020A	BUSHING	1
15	204019A	SPACER	1
16	204018	SPRING	4
17	201523A	BALL BEARING	1
18	204186A	WORM	1
19	2022	SCREW	1
20	5304	SCREW	1
21	207358	OIL FELT	1
22	204016	BUSHING	1
23	1170-1	SCREW	2
24	5240	SCREW	1
25	204014	BUSHING	1
26	240102	WASHER	1
27	204010	BUSHING	1
28	204873	CRANK SHAFT EXTENSION	1
29	204881	HOUSING	1
30	204319	GASKET	1
31	5328	SCREW	4

1	3 ~ 13	401-02,04
2	3 ~ 11 • 14	401-03,13

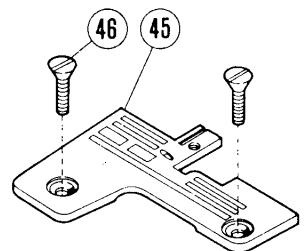


# CRANKSHAFT DRIVE MECHANISM (2)

REF. NO.	PART NO.	NAME	QT.
1	209367HY	CRANKSHAFT ASSEMBLY	1
2	209367JY	CRANKSHAFT ASSEMBLY	1
3	208951	CRANKSHAFT	1
4	1459	SCREW	2
5	208627	OIL PLUG	1
6	208346	CONNECTION	1
7	5376	SCREW	4
8	208192	CRANK	1
9	2022-4	SCREW	2
10	204029	CONNECTION	1
11	5233	SCREW	2
12	204145A	DRIVE CONNECTION/UPPER KNIFE	1
13	5233	SCREW	2
14	208267	PLUG	1



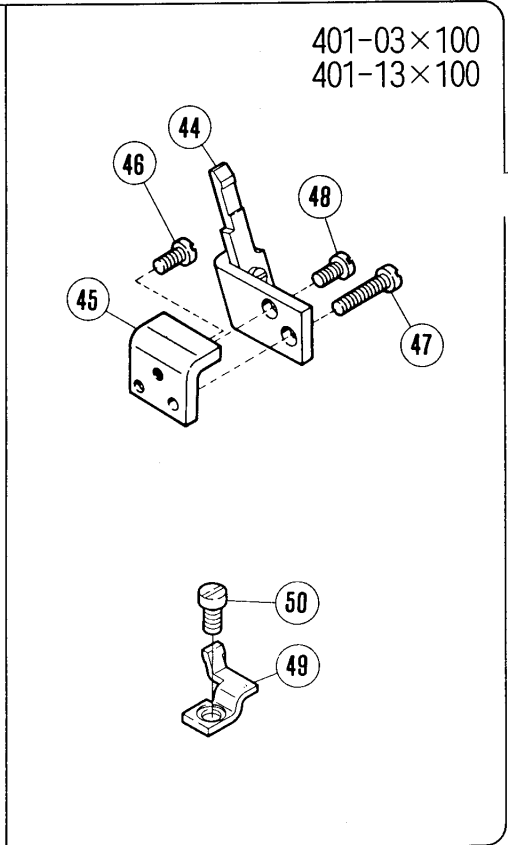
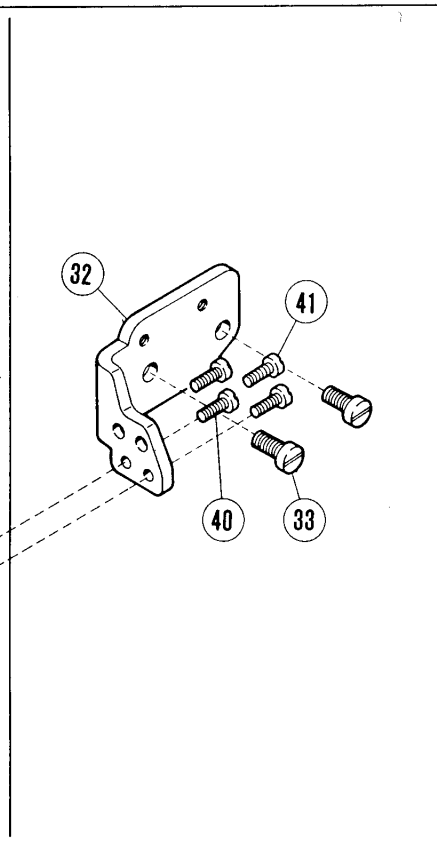
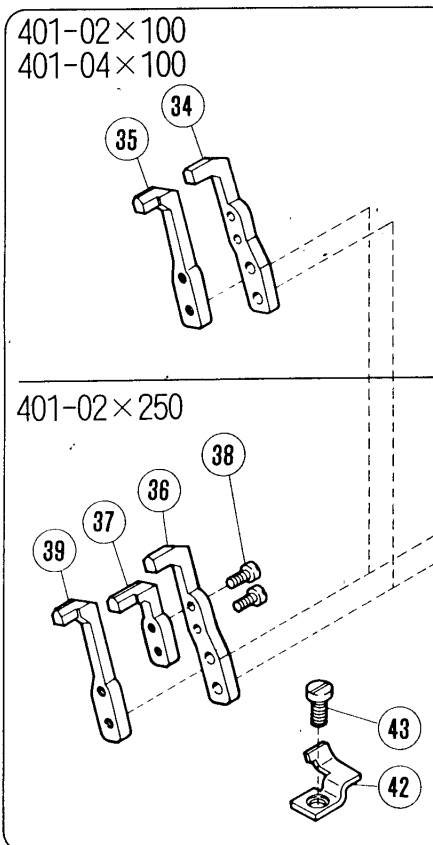
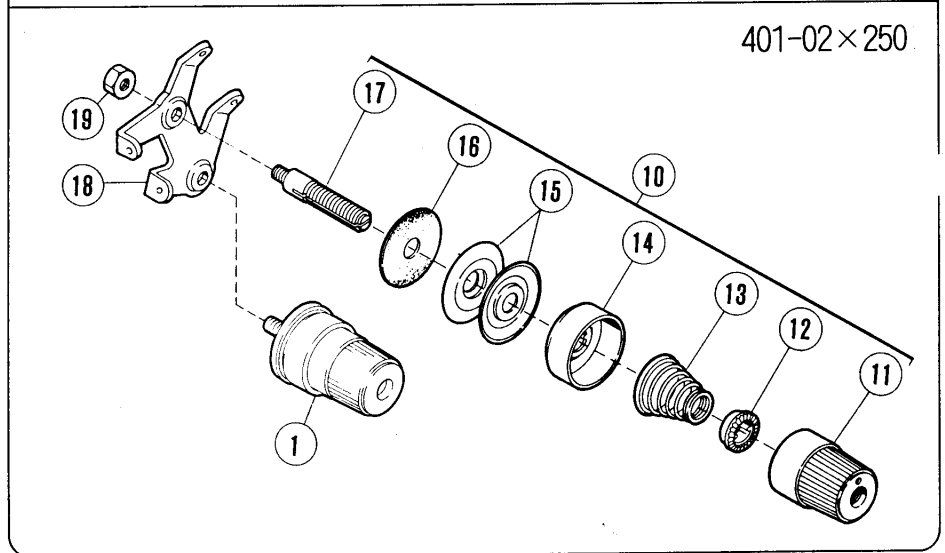
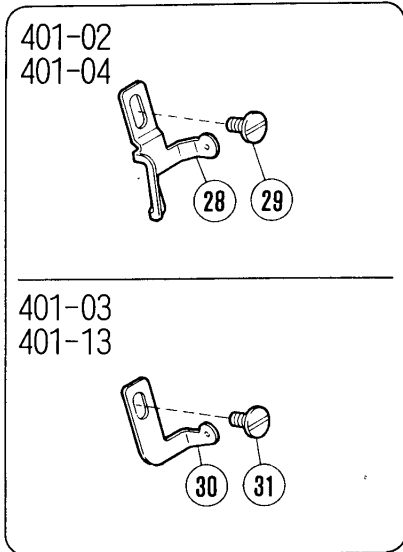
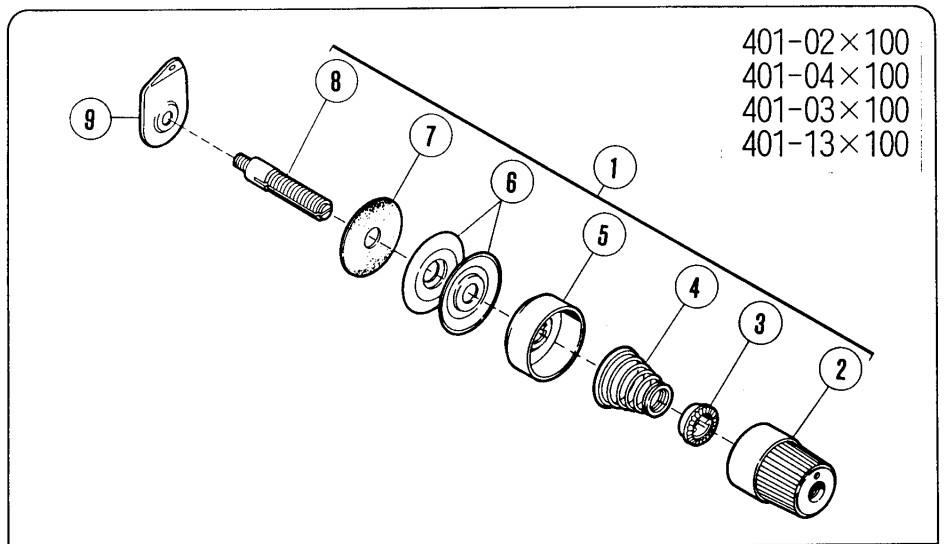
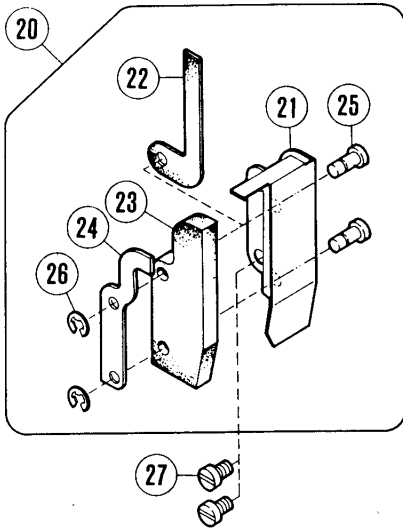
<p>401-02 × 100 401-04 × 100</p>	<p>401-02 × 250</p>	<p>401-03 × 100 401-13 × 100</p>
--------------------------------------	---------------------	--------------------------------------



# NEEDLE DRIVE MECHANISM (1)

PLEASE NOTE : 「××××××」 is one of the gauge parts.  
So please refer to pages 44~46 and confirm the correct parts.

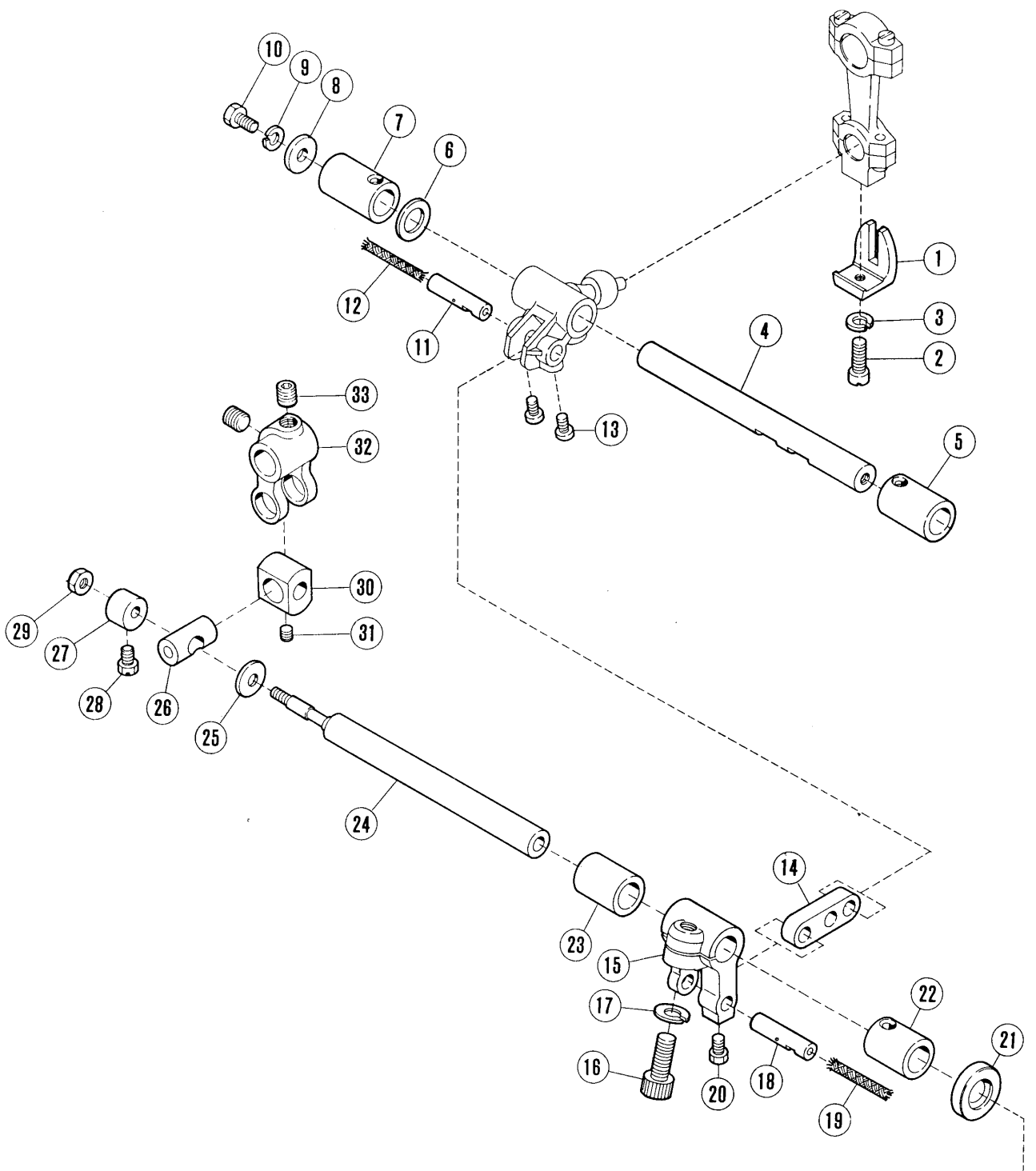
REF. NO.	PART NO.	NAME	QT.
1	201360B	CRANK	1
2	5381	SCREW	1
3	205495	PIN	1
4	5234	SCREW	1
5	208249	BUSHING	1
6	201117	COLLAR	1
7	5328	SCREW	2
8	208248	BUSHING	1
9	208250	OIL SEAL	1
10	208247	SHAFT	1
11	208424	CRANK/NEEDLE BAR	1
12	2022-4	SCREW	1
13	5312	SCREW	1
14	208425	LINK/NEEDLE BAR DRIVE	1
15	200654	PIN	2
16	202176	OIL WICK	2
17	5292	SCREW	2
18	208427	NEEDLE BAR CLAMP	1
19	1170-3	SCREW	1
20	208382	NEEDLE THREAD RETAINER BRACKET	1
21	5359	SCREW	1
22	202495	GUIDE	1
23	200041	GUIDE	1
24	209068	SPRING	1
25	9070-2	SCREW	1
26	202706A	THREAD TAKEUP	1
27	208381	THREAD GUIDE	1
28	1186	SCREW	2
29	208621	CAP	1
30	1457	SCREW	1
31	200030	O RING	1
32	204625A	BUSHING	1
33	212186	OIL WICK	1
34	204627A	BUSHING	1
35	208616	DUST SHIELD	1
36	5053	SCREW	2
37	208617	OIL FELT	1
38	208903	NEEDLE BAR	1
39	XXXXXX	NEEDLE HOLDER	1
40	5292	SCREW	2
41	DCX27	NEEDLE	2
42	XXXXXX	NEEDLE HOLDER	1
43	5292	SCREW	1
44	DCX27	NEEDLE	1
45	XXXXXX	NEEDLE PLATE	1
46	1732-HC	SCREW	2



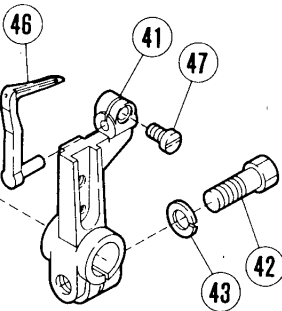


# NEEDLE DRIVE MECHANISM (2)

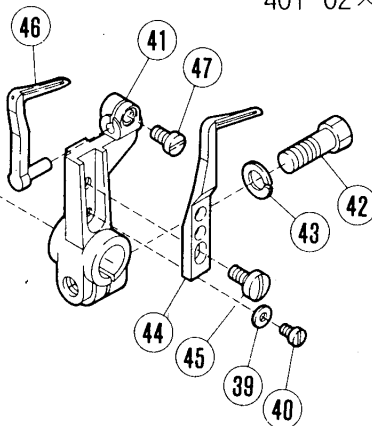
REF. NO.	PART NO.	NAME	QT.
1	210529	THREAD TENSION COMPLETE	1
2	208447	POST NUT	1
3	208448	SPRING BUSHING	1
4	201037	SPRING (HEAVY)	1
5	208450	CUP	1
6	210319	TENSION DISC	2
7	208449	FELT	1
8	5082A	SCREW STUD	1
9	202849	TENSION GUIDE	1
10	209174	THREAD TENSION COMPLETE	1
11	208447	POST NUT	1
12	208448	SPRING BUSHING	1
13	201037	SPRING (HEAVY)	1
14	208450	CUP	1
15	210319	TENSION DISC	2
16	208449	FELT	1
17	5143A	STUD	1
18	208307	TENSION GUIDE	1
19	5137	NUT	1
20	208568	NEEDLE BAR LINK COVER COMPLETE	1
21	208560	NEEDLE BAR LINK COVER	1
22	208561	OIL FELT	1
23	208562	OIL FELT	1
24	208563	OIL FELT PLATE	1
25	208713	PIN	2
26	200555	RING	2
27	5113	SCREW	2
28	208312	THREAD GUIDE	1
29	4009-1	SCREW	1
30	208400	THREAD GUIDE	1
31	4009-1	SCREW	1
32	208359	NEEDLE GUARD BRACKET	1
33	5117	SCREW	2
34	208357	NEEDLE GUARD (FRONT)	1
35	208356	NEEDLE GUARD (REAR)	1
36	208357	NEEDLE GUARD (FRONT)	1
37	208358	NEEDLE GUARD (FRONT)	1
38	5336	SCREW	2
39	208356	NEEDLE GUARD (REAR)	1
40	5029	SCREW	2
41	5029	SCREW	2
42	204042	NEEDLE GUARD (FRONT)	1
43	5227	SCREW	1
44	204521	NEEDLE GUARD (REAR)	1
45	204160A	GUIDE/LOWER BAR	1
46	1175-2	SCREW	1
47	5010	SCREW	1
48	1216	SCREW	1
49	204536	NEEDLE GUARD (FRONT)	1
50	5227	SCREW	1



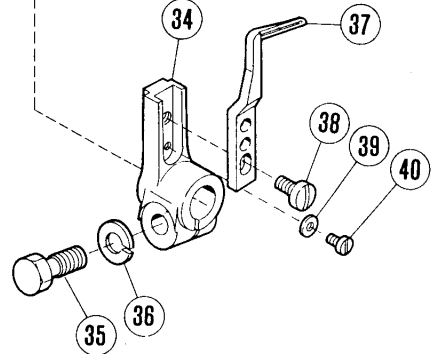
401-02×100  
401-04×100



401-02×250

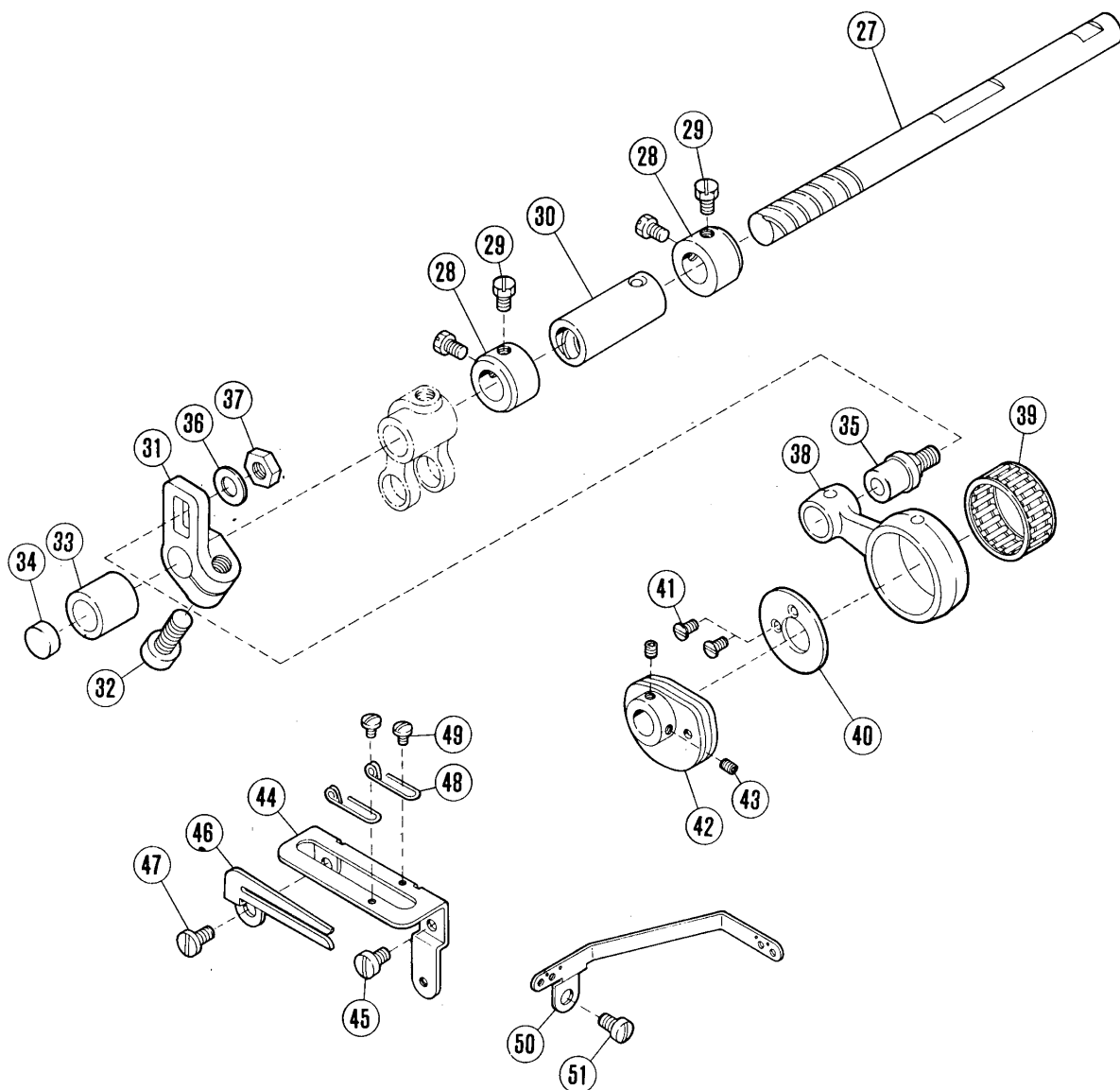
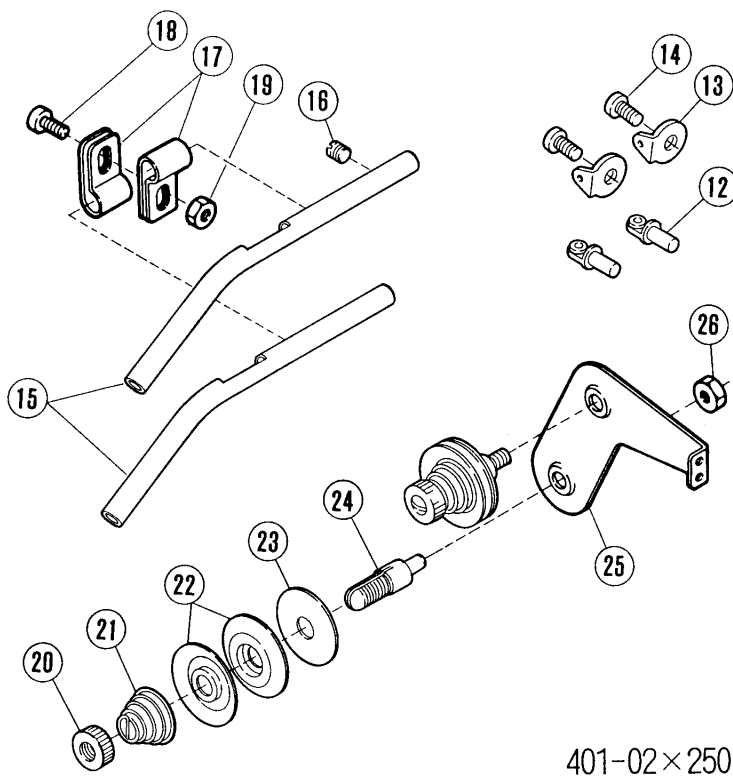
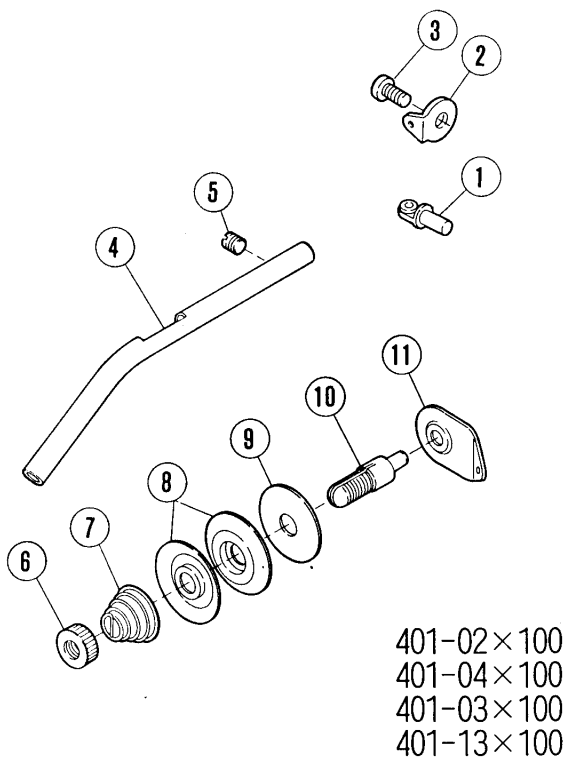


401-03×100  
401-13×100



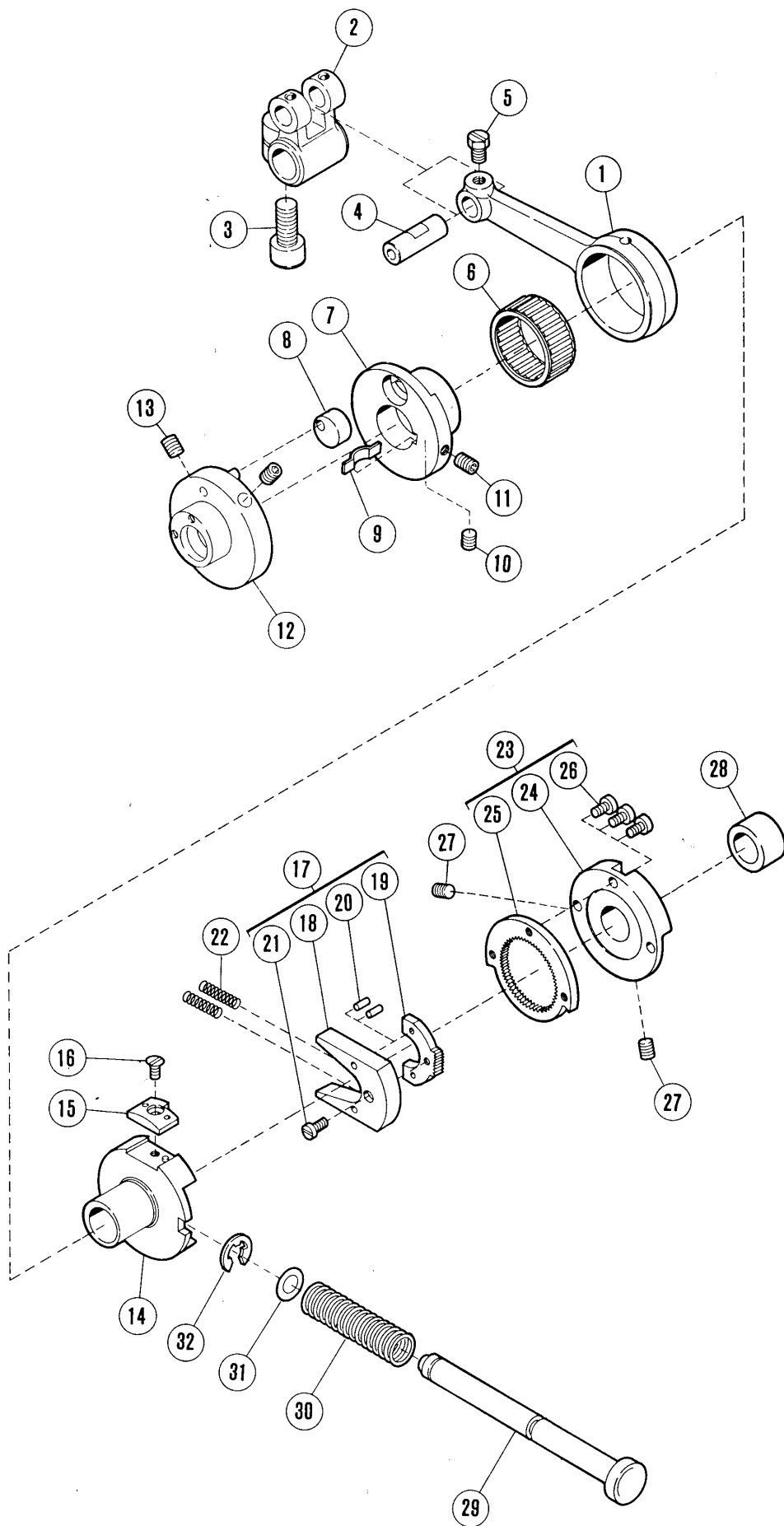
# LOOPER DRIVE MECHANISM (1)

REF. NO.	PART NO.	NAME	QT.
1	201074A	GUIDE	1
2	5546	SCREW	1
3	202286	SPRING WASHER	1
4	208582	CRANKSHAFT	1
5	210124	BUSHING	1
6	240102	WASHER	1
7	210125	BUSHING	1
8	204107	WASHER	1
9	202286	SPRING WASHER	1
10	2193	SCREW	1
11	208195	PIN	1
12	202176	OIL WICK	1
13	5328	SCREW	2
14	208194	LINK/LOOPER DRIVE	1
15	210294	CRANK/LOOPER DRIVE	1
16	5457	SCREW	1
17	204293	SPRING WASHER	1
18	208195	PIN	1
19	202176	OIL WICK	1
20	5084	SCREW	1
21	210586	OIL SEAL	1
22	210296	BUSHING	1
23	210297	BUSHING	1
24	208196	SHAFT/LOOPER DRIVE	1
25	208028	WASHER	1
26	208026	PIN	1
27	208029	COLLAR	1
28	5084	SCREW	1
29	4802	NUT	1
30	208027	BLOCK	1
31	5292	SCREW	1
32	208025	LINK/LOOPER AVOIDING	1
33	5385	SCREW	2
34	204093	LEVER	1
35	5284	SCREW	1
36	204293	SPRING WASHER	1
37	204314A	DOUBLE CHAINSTITCH LOOPER	1
38	1189	SCREW	1
39	204172	WASHER	1
40	2922	SCREW	1
41	208361	DOUBLE CHAINSTITCH LOOPER	1
42	5284	SCREW	1
43	204293	SPRING WASHER	1
44	204431	DOUBLE CHAINSTITCH LOOPER	1
45	1189	SCREW	1
46	208360	DOUBLE CHAINSTITCH LOOPER	1
47	5328	SCREW	1



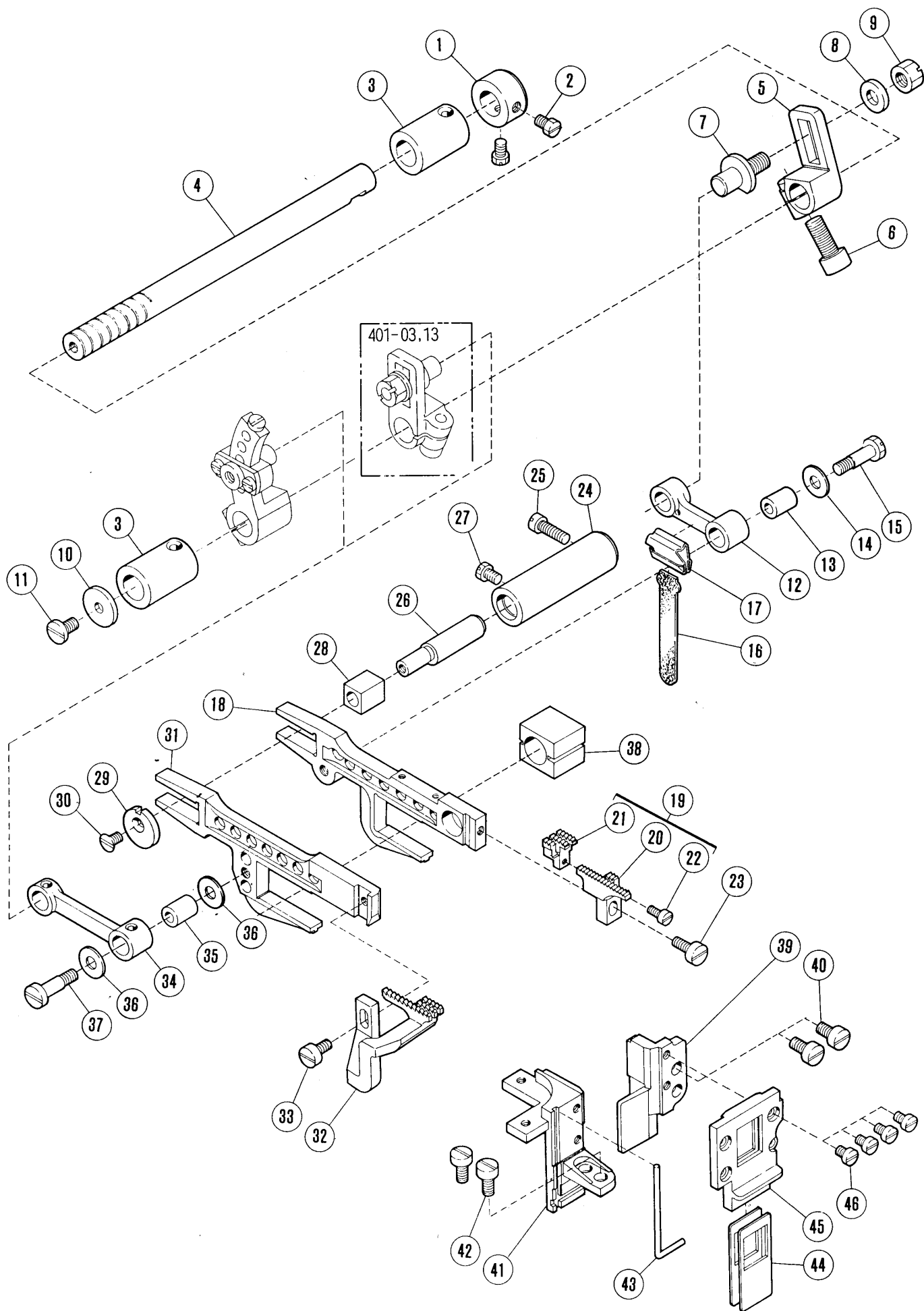
# LOOPER DRIVE MECHANISM (2)

REF. NO.	PART NO.	NAME	QT.
1	201048A	THREAD EYELET	1
2	167079	THREAD EYELET	1
3	5091	SCREW	1
4	204099	PIPE	1
5	1457	SCREW	1
6	3056	NUT	1
7	167077	SPRING	1
8	210319	TENSION DISC	1
9	208449	FELT	1
10	167072	TENSION POST	1
11	202849	TENSION GUIDE	1
12	201048A	THREAD EYELET	2
13	167079	THREAD EYELET	2
14	5091	SCREW	2
15	204099	PIPE	2
16	1457	SCREW	1
17	206115	HOLDER	2
18	2905	SCREW	1
19	3044	NUT	1
20	3056	NUT	2
21	167077	SPRING	2
22	210319	TENSION DISC	4
23	208449	FELT	2
24	167072	TENSION POST	2
25	208363	THREAD TENSION BRACKET	1
26	3044	NUT	1
27	204874	SHAFT/LOOPER AVOIDING	1
28	201056	COLLAR	2
29	5084	SCREW	4
30	204089	BUSHING	1
31	210287	CRANK/LOOPER AVOIDING	1
32	5457	SCREW	1
33	210292	BUSHING	1
34	205088	PLUG	1
35	210285	PIN	1
36	202433	WASHER	1
37	5455	NUT	1
38	210284	CONNECTION/LOOPER AVOIDING	1
39	205015	NEEDLE BEARING	1
40	210283	COLLAR	1
41	5259	SCREW	2
42	204095A	THREAD TAKEUP	1
43	5292	SCREW	2
44	204097A	BRACKET	1
45	5113	SCREW	1
46	204096	THREAD TAKEUP	1
47	4009-1	SCREW	1
48	204324	THREAD EYELET	2
49	5077	SCREW	2
50	208362	THREAD GUIDE	1
51	5113	SCREW	1



# FEED MECHANISM (1)

REF. NO.	PART NO.	NAME	QT.
1	204100	CONNECTION	1
2	204085	CRANK/FEED DRIVE	1
3	5381	SCREW	1
4	205495	PIN	1
5	5084	SCREW	1
6	204084	NEEDLE BEARING	1
7	210127	ECCENTRIC/FEED DRIVE	1
8	210129	GUIDE/FEED ECCENTRIC	1
9	210130	FLAT SPRING	1
10	5292	SCREW	1
11	5427	SCREW	1
12	210282A	ECCENTRIC/LOOPER AVOIDING	1
13	5461	SCREW	2
14	211802A	ECCENTRIC/FEED REGULATING	1
15	211804	STOPPER	1
16	5437	SCREW	1
17	208411	FEED REGULATING RATCHET	1
18	208413	BRACKET	1
19	208412	RATCHET	1
20	206781	PIN	2
21	5336	SCREW	1
22	208415	SPRING	2
23	210136	RATCHET WHEEL COMPLETE	1
24	211807	BRACKET	1
25	211806	WHEEL	1
26	5157	SCREW	3
27	5461	SCREW	2
28	208944	SPACER	1
29	209304	PUSH BUTTON	1
30	208421	SPRING	1
31	208949	O. RING	1
32	202522	RING	1



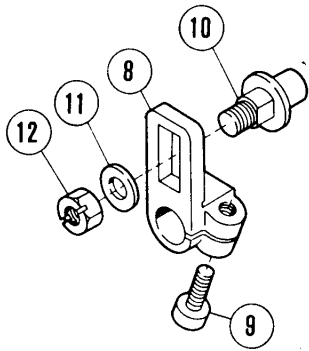


# FEED MECHANISM (2)

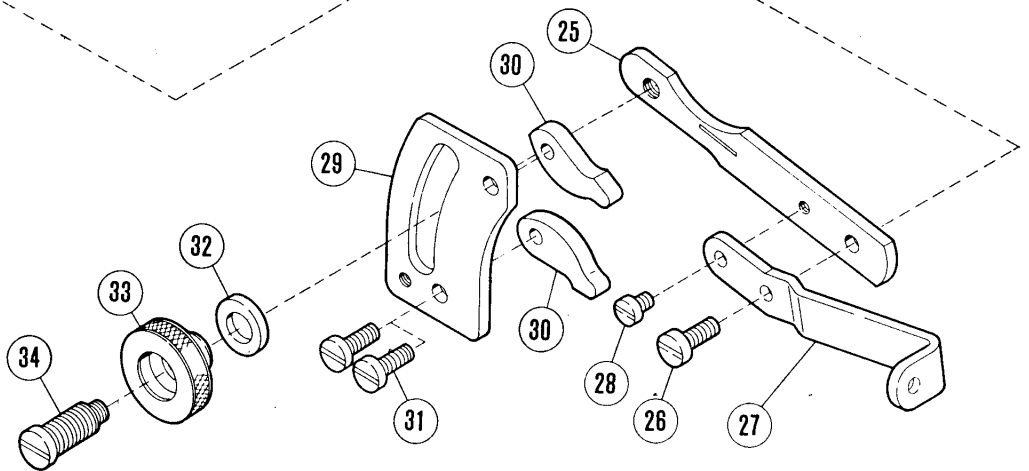
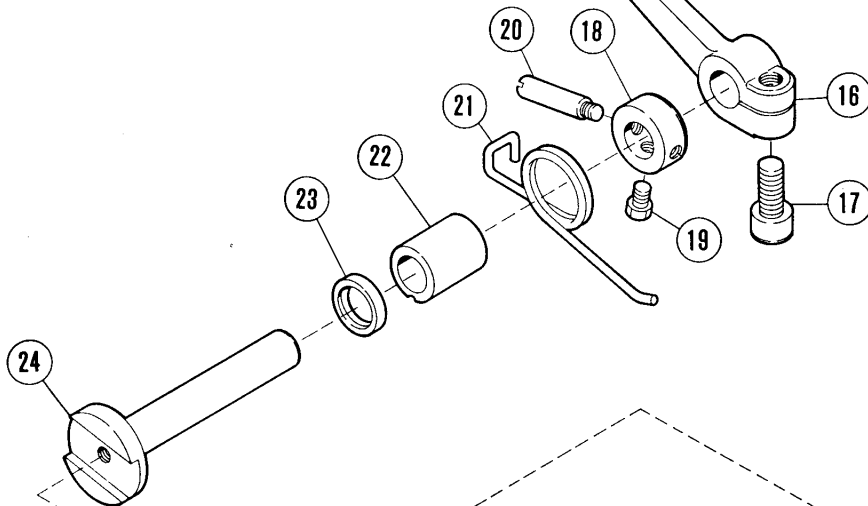
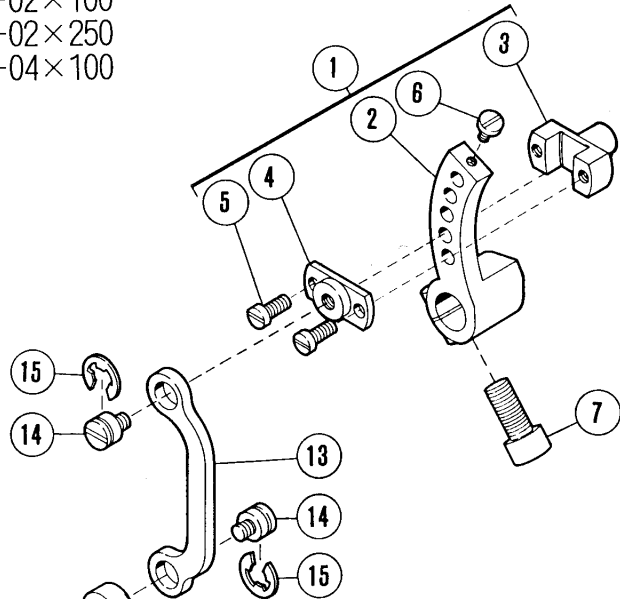
PLEASE NOTE : 「×××××」 is one of the gauge parts.  
So please refer to pages 44~46 and confirm the correct parts.

REF. NO.	PART NO.	NAME	QT.
1	201056	COLLAR	1
2	5084	SCREW	2
3	209169	BUSHING	2
4	204751	SHAFT	1
5	208284	CRANK/MAIN FEED	1
6	5381	SCREW	1
7	208285	SCREW	1
8	208286	WASHER	1
9	5455	NUT	1
10	204107	WASHER	1
11	4009-1	SCREW	1
12	204111A	LINK/MAIN FEED	1
13	204114	BUSHING	1
14	204115	WASHER	1
15	5231	SCREW	1
16	204618	OIL WICK	1
17	204588	RETAINER	1
18	204123A	MAIN FEED BAR	1
19	XXXXXX	MAIN FEED DOG COMPLETE	1
20	XXXXXX	MAIN FEED DOG	1
21	XXXXXX	AUXILIARY FEED DOG	1
22	2922	SCREW	1
23	1175-2	SCREW	1
24	204129A	BUSHING	1
25	2133-1	SCREW	1
26	204128A	PIN	1
27	5084	SCREW	1
28	205857	BLOCK/FEED BAR GUIDE	1
29	204439A	WASHER	1
30	5317	SCREW	1
31	204124	DIFFERENTIAL FEED BAR	1
32	XXXXXX	DIFFERENTIAL FEED DOG	1
33	1189	SCREW	1
34	204122	LINK/DIFFERENTIAL FEED	1
35	204114	BUSHING	1
36	204115	WASHER	2
37	5231	SCREW	1
38	204810	BLOCK/FEED BAR LIFT	1
39	208108	GUIDE (RIGHT)/FEED BAR	1
40	5205	SCREW	2
41	208952	GUIDE (LEFT)/FEED BAR	1
42	5205	SCREW	2
43	208168	GASKET	1
44	208109	OIL SHIELD/FEED BAR GUIDE	2
45	208625	INSERT PLATE	1
46	5346	SCREW	4

401-03×100  
401-13×100



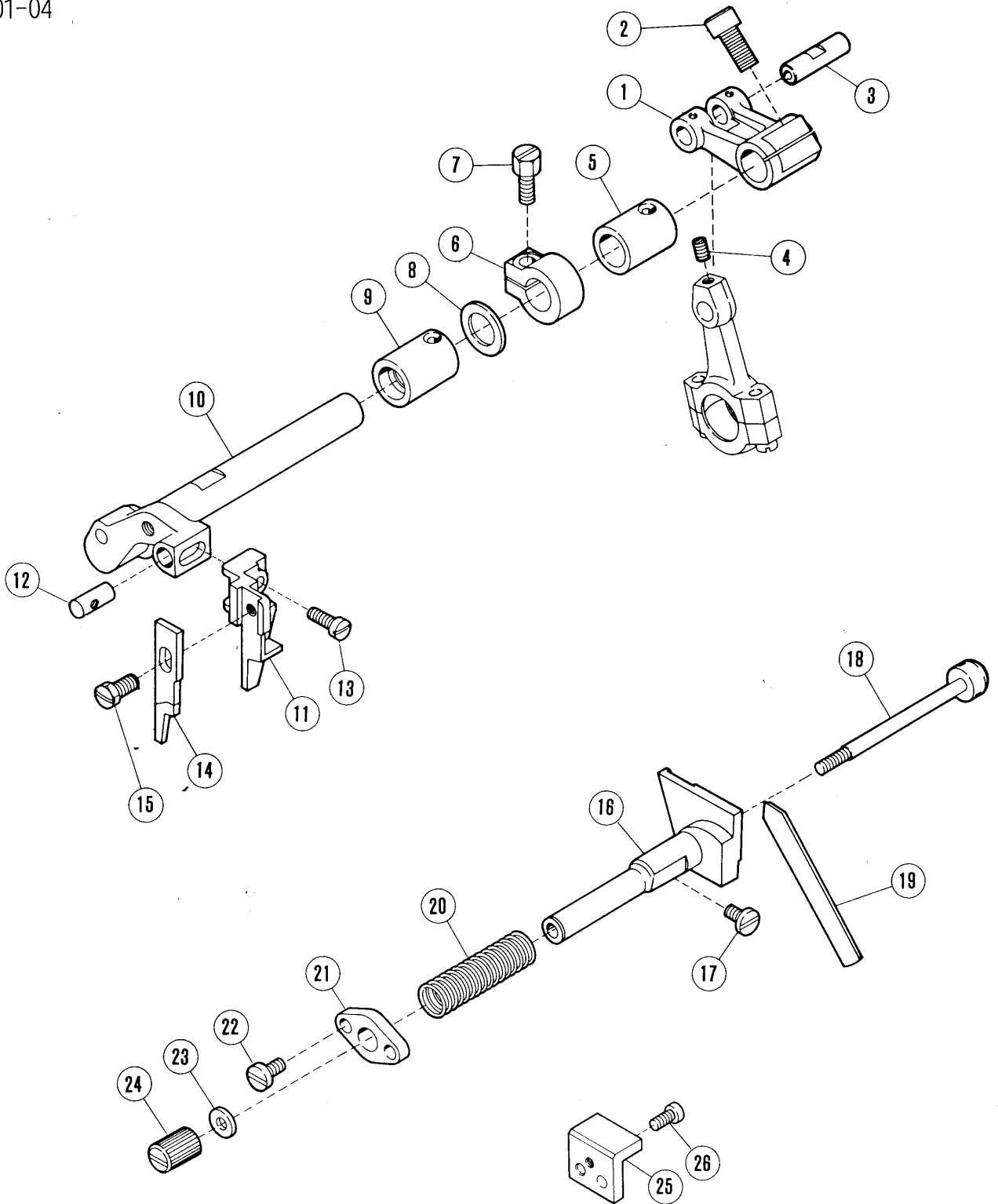
401-02×100  
401-02×250  
401-04×100



# FEED MECHANISM (3)

REF. NO.	PART NO.	NAME	QT.
1	208273	REGULATOR COMPLETE/DIFF. FEED	1
2	208274	CRANK	1
3	208275	BLOCK	1
4	208276	COVER	1
5	5029	SCREW	2
6	5141	SCREW	1
7	5381	SCREW	1
8	208755	CRANK/DIFFERENTIAL FEED	1
9	5381	SCREW	1
10	208285	SCREW	1
11	208286	WASHER	1
12	5455	NUT	1
13	204140A	LINK/DIFF. FEED REGULATING	1
14	5316	SCREW	2
15	202522	RING	2
16	204139A	LEVER/DIFF. FEED REGULATING	1
17	5381	SCREW	1
18	204754A	COLLAR	1
19	5084	SCREW	1
20	204757	PIN	1
21	204756	SPRING	1
22	210164	BUSHING	1
23	204052A	OIL SEAL	1
24	204752	SHAFT	1
25	204755	LEVER/DIFF. FEED REGULATING	1
26	5118	SCREW	1
27	204883	LEVER	1
28	1216	SCREW	1
29	204142B	REGULATING PLATE	1
30	204143A	STOPPER	2
31	5118	SCREW	2
32	202868	WASHER	1
33	204870	THUMB NUT	1
34	5321A	SCREW	1

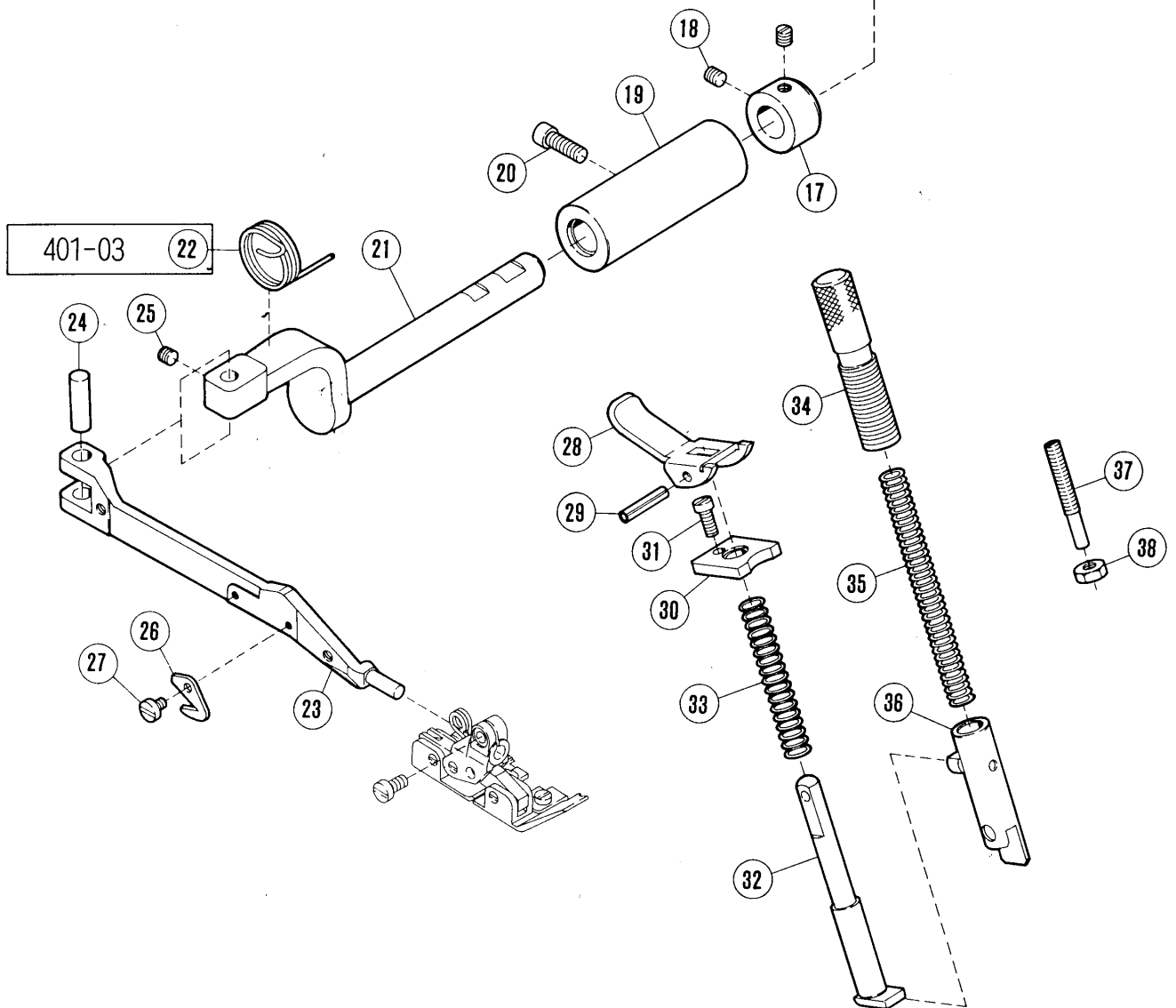
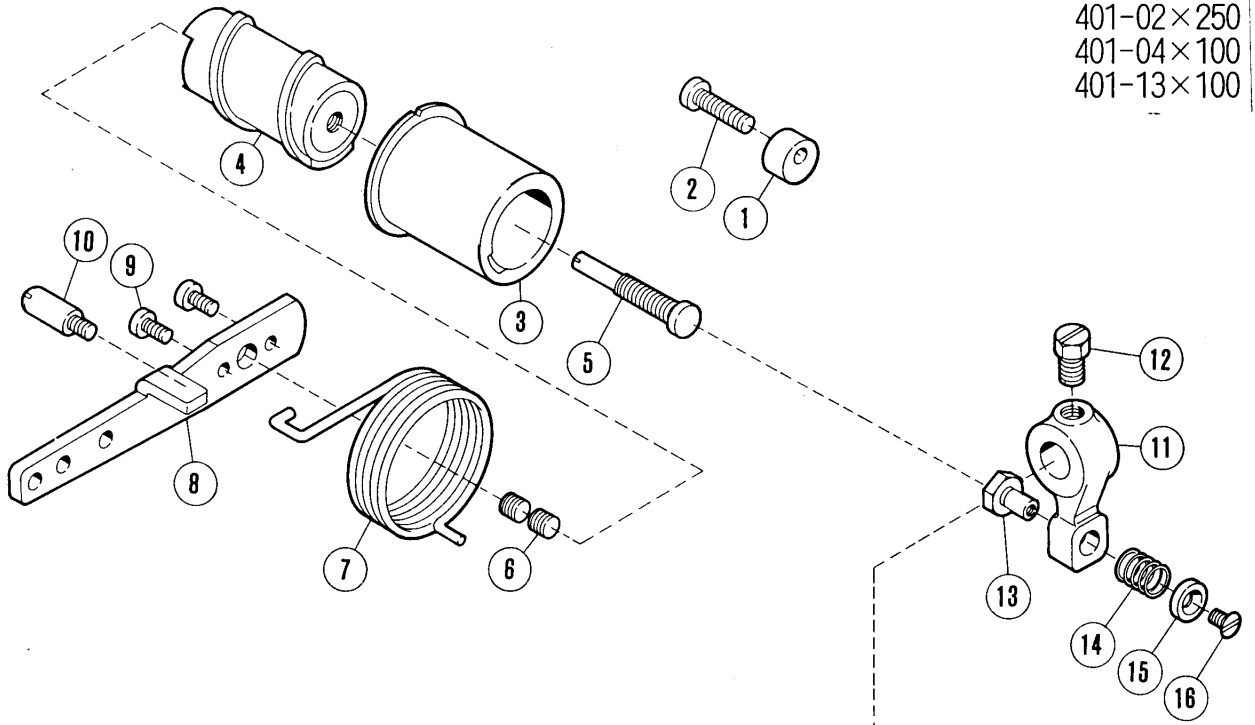
401-02  
401-04



# KNIFE DRIVE MECHANISM

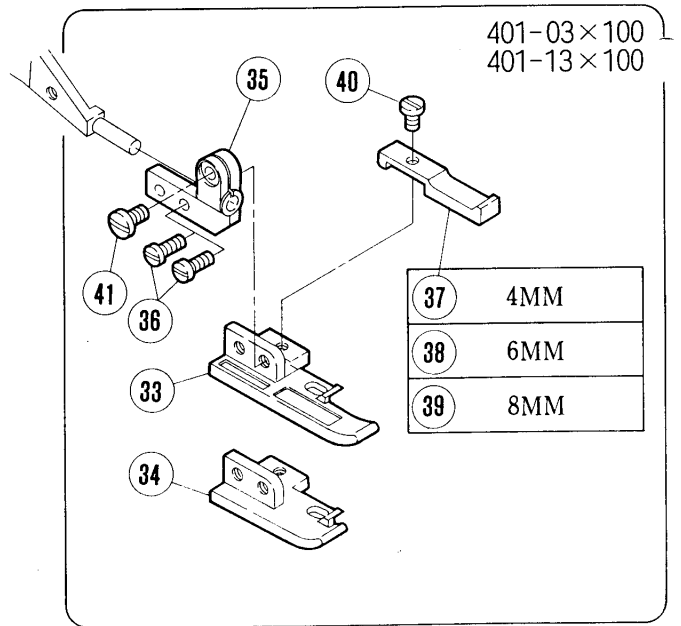
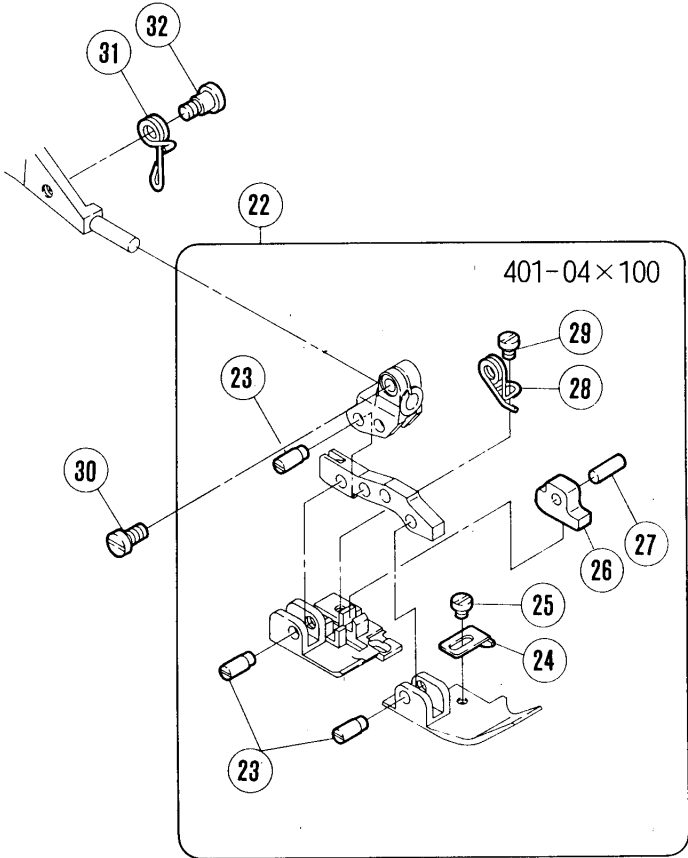
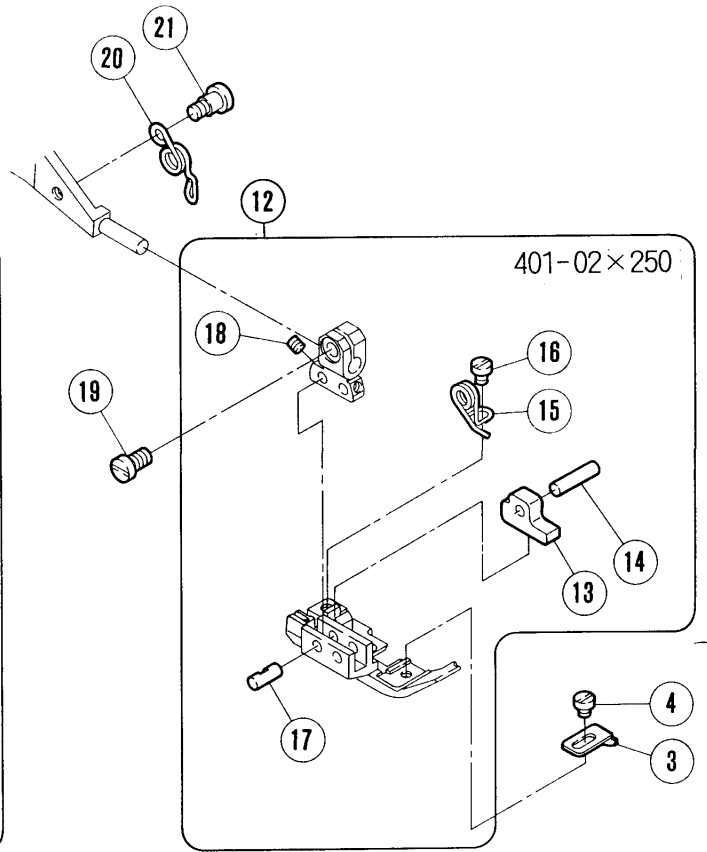
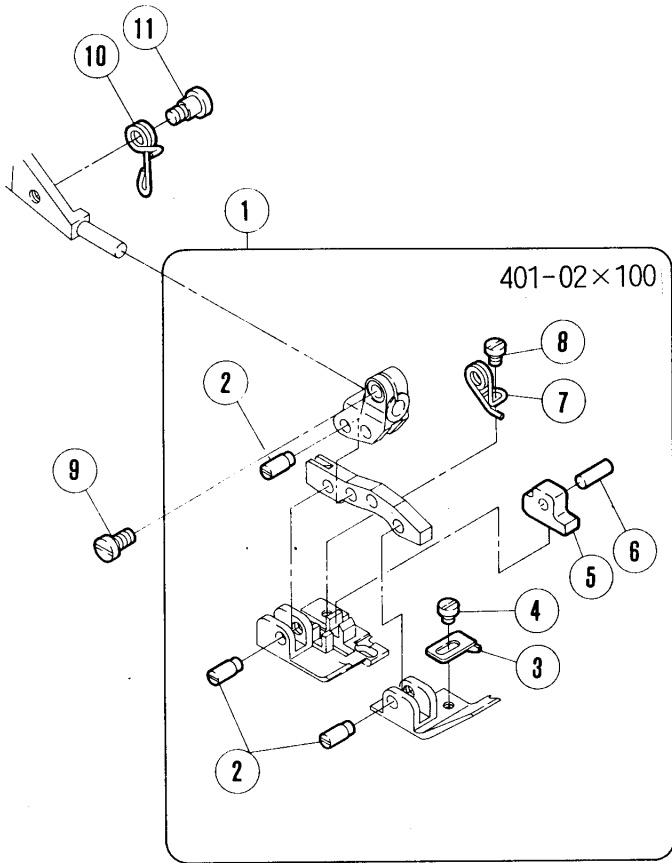
REF. NO.	PART NO.	NAME	QT.
1	204147	CRANK/UPPER KNIFE	1
2	5381	SCREW	1
3	204146	PIN	1
4	1458	SCREW	1
5	210067	BUSHING	1
6	206181B	COLLAR	1
7	5001	SCREW	1
8	208235	WASHER	1
9	204149	BUSHING	1
10	208696	UPPER KNIFE LEVER	1
11	208578	UPPER KNIFE CLAMP	1
12	208579	PIN	1
13	5118	SCREW	1
14	202527A	UPPER KNIFE (NARROW)	1
15	5088	SCREW	1
16	208580	LOWER KNIFE HOLDER	1
17	4009-1	SCREW	1
18	204162	CLAMP STUD/LOWER KNIFE	1
19	208393	LOWER KNIFE	1
20	204158	SPRING	1
21	204159	STOPPER	1
22	5117	SCREW	1
23	200098	WASHER	1
24	5260	NUT	1
25	204160A	GUIDE/LOWER BAR	1
26	1175-2	SCREW	1

401-02×100  
 401-02×250  
 401-04×100  
 401-13×100



# PRESSER FOOT MECHANISM (1)

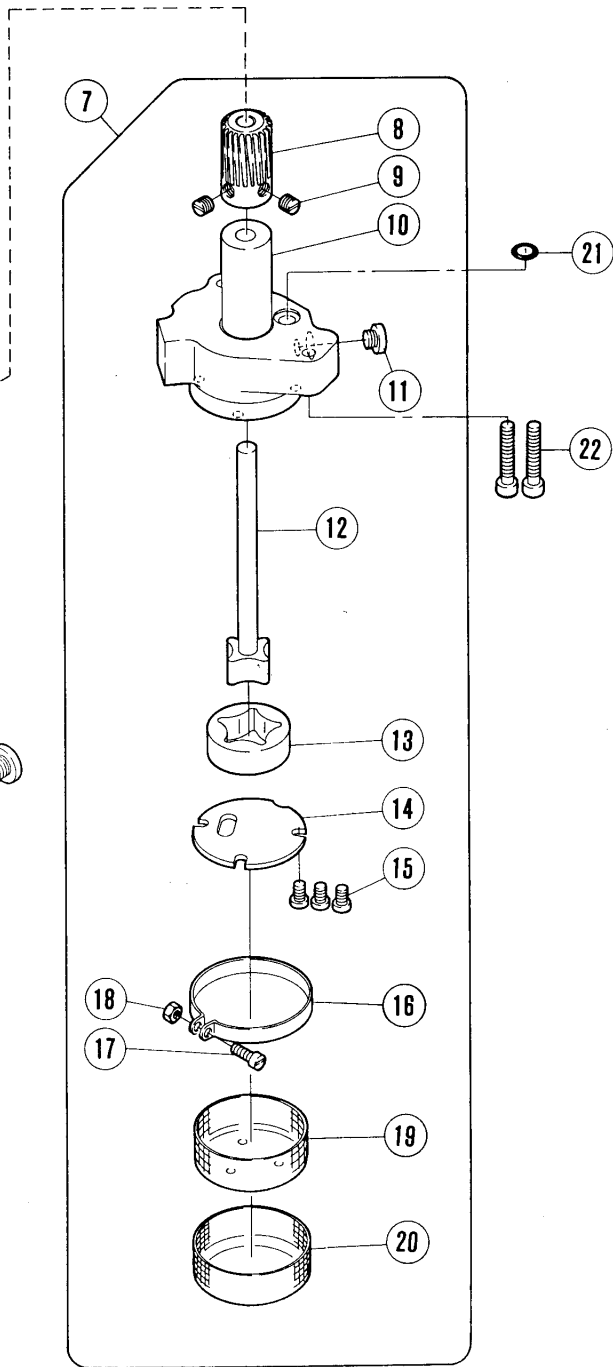
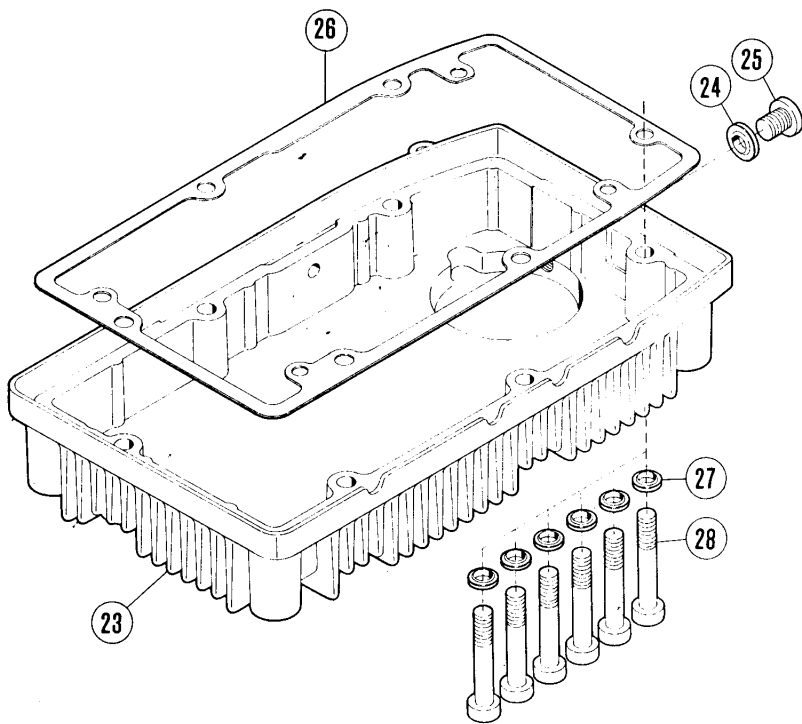
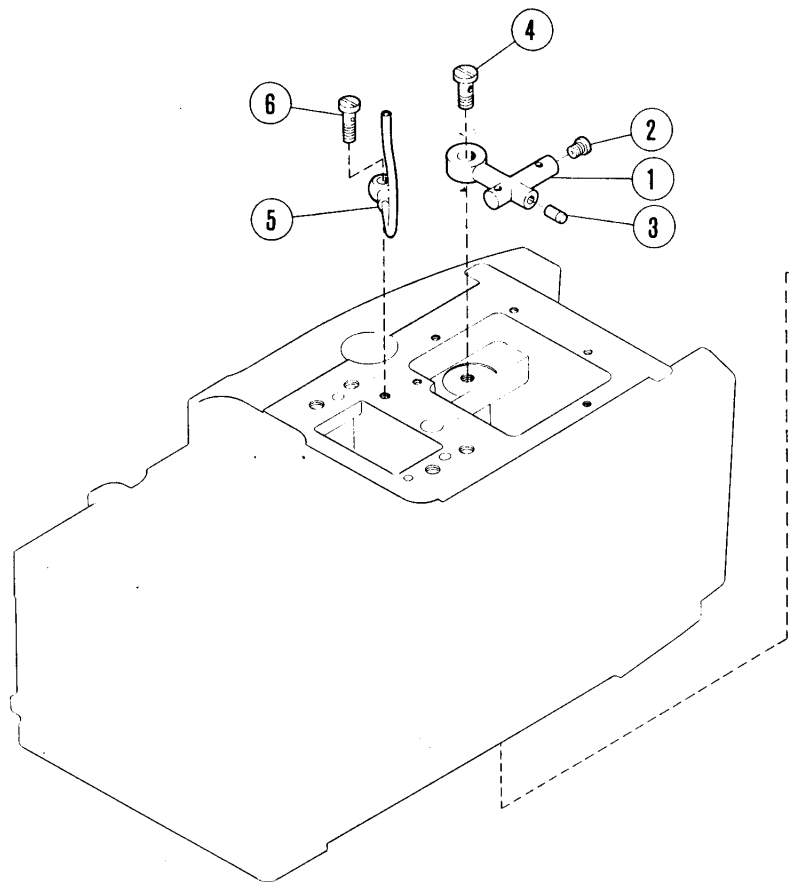
REF. NO.	PART NO.	NAME	QT.
1	202683	STOPPER	1
2	5152	SCREW	1
3	204930	BUSHING	1
4	204929	FOOT LIFT CAM	1
5	208316	SCREW	1
6	2913-2	SCREW	2
7	204178	SPRING	1
8	204177B	LEVER/FOOT LIFT	1
9	1202	SCREW	2
10	5232	SCREW	1
11	208313	LEVER/INTERMEDIATE	1
12	2022-4	SCREW	1
13	208314	PIN	1
14	208315	SPRING	1
15	202757A	WASHER	1
16	5317	SCREW	1
17	201056	COLLAR	1
18	1457	SCREW	2
19	208535	BUSHING	1
20	2133-1	SCREW	1
21	208534	SHAFT/FOOT LIFT	1
22	208637	SPRING	1
23	208526	PRESSER ARM	1
24	208549	PIN	1
25	1457	SCREW	1
26	202451	CHAIN CUTTER	1
27	2921	SCREW	1
28	211657	LEVER/HAND LIFT	1
29	202647A	PIN	1
30	208599	BUSHING	1
31	5029	SCREW	1
32	202645	PLUNGER	1
33	201395	SPRING	1
34	208774	THUMB SCREW	1
35	208773	SPRING	1
36	208537	PRESSER BAR COMPLETE	1
37	5271	SCREW	1
38	3044	NUT	1





**PRESSER FOOT MECHANISM (2)**

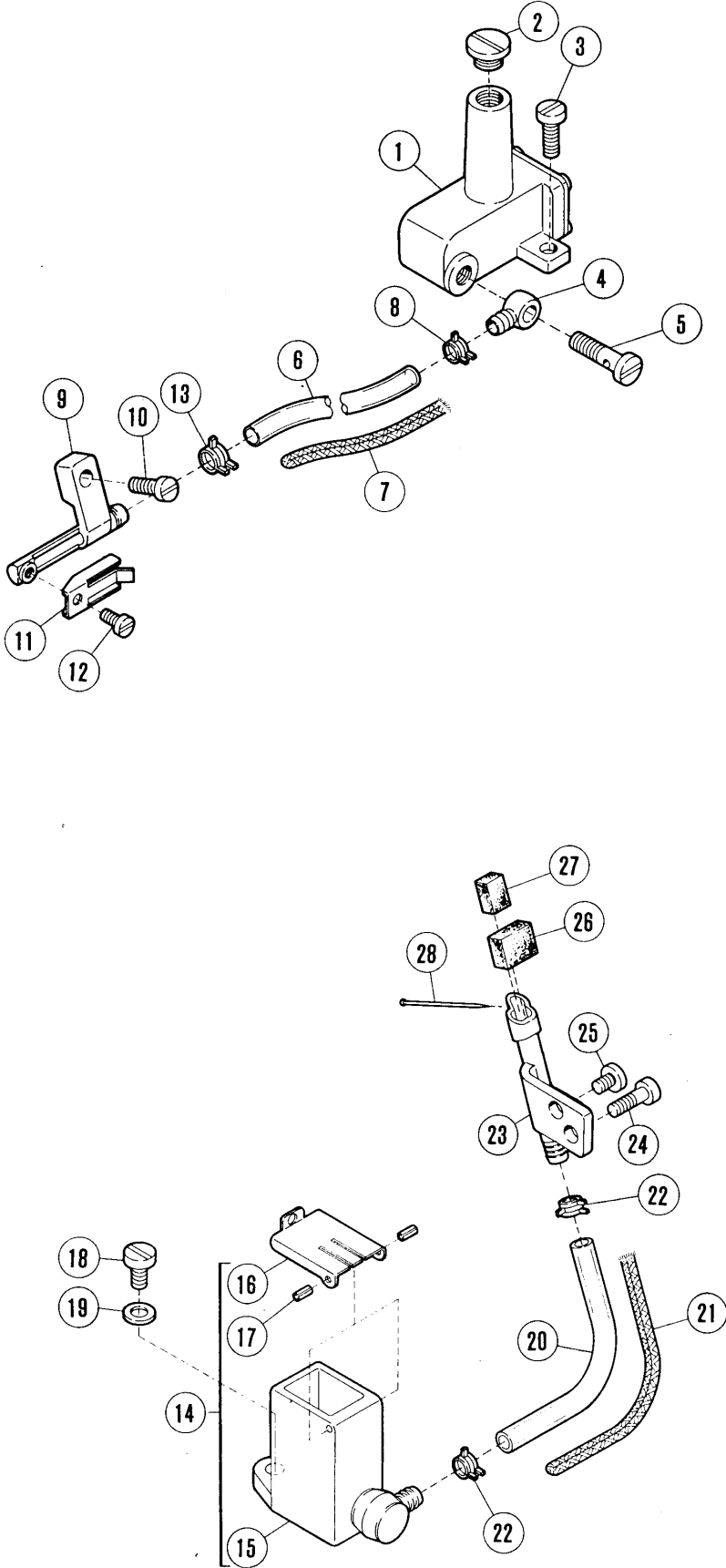
REF. NO.	PART NO.	NAME	QT.
1	209238	PRESSER FOOT COMPLETE	1
2	208958-B	SCREW	3
3	208575	FABRIC GUARD	1
4	5030	SCREW	1
5	208899	CLAMP/THREAD CHAIN	1
6	208900	PIN	1
7	208374	SPRING	1
8	1231	SCREW	1
9	5328	SCREW	1
10	208978	SPRING	1
11	5291	SCREW	1
12	209241	PRESSER FOOT COMPLETE/2-NEEDLE	1
13	209243	CLAMP/THREAD CHAIN	1
14	208395	PIN	1
15	208374	SPRING	1
16	1231	SCREW	1
17	208527	PIN	1
18	5223	SCREW	1
19	5328	SCREW	1
20	208529	SPRING	1
21	5291	SCREW	1
22	209233	PRESSER FOOT COMPLETE	1
23	208958-B	SCREW	3
24	208575	FABRIC GUARD	1
25	5030	SCREW	1
26	208899	CLAMP/THREAD CHAIN	1
27	208900	PIN	1
28	208374	SPRING	1
29	1231	SCREW	1
30	5328	SCREW	1
31	208978	SPRING	1
32	5291	SCREW	1
33	208767	PRESSER FOOT (LONG)	1
34	208632	PRESSER FOOT (SHORT)	1
35	208636	BRACKET/PRESSER FOOT	1
36	1196	SCREW	2
37	208768	SHOE/PRESSER FOOT (4)	1
38	208769	SHOE/PRESSER FOOT (6)	1
39	208770	SHOE/PRESSER FOOT (8)	1
40	1229	SCREW	1
41	5328	SCREW	1



# LUBRICATION MECHANISM

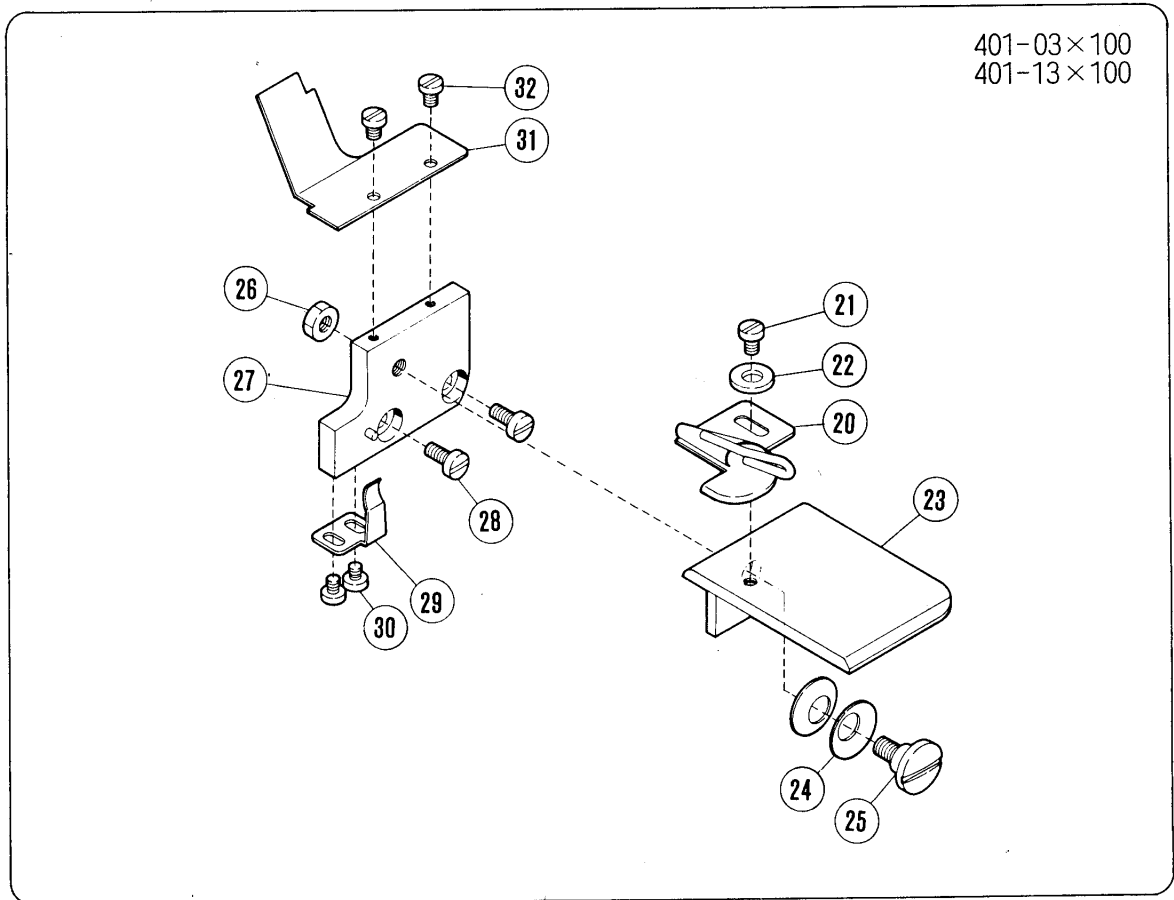
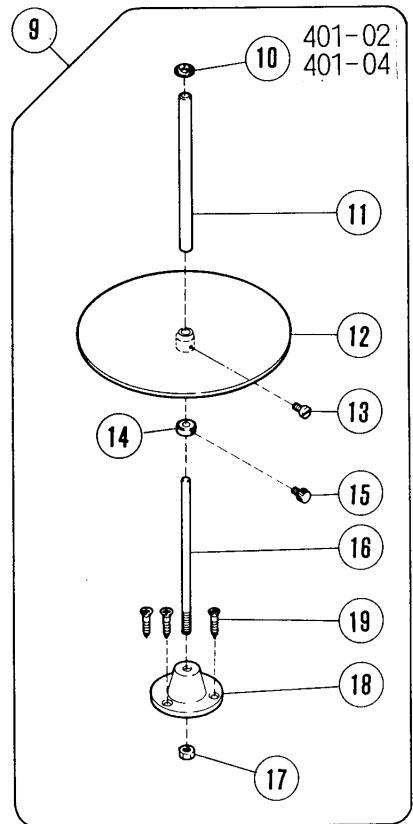
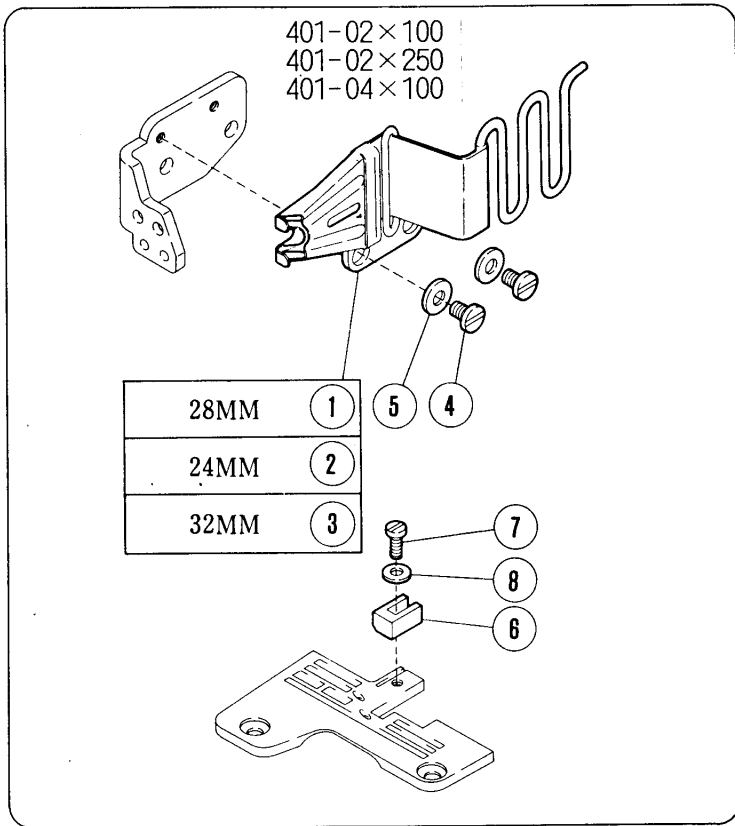
REF. NO.	PART NO.	NAME	QT.
1	204193	OIL DISTRIBUTOR	1
2	201323	SCREW	1
3	202903	PLUG	1
4	200152	JOINT SCREW	1
5	204194	PIPE COMPLETE	1
6	201758	JOINT SCREW	1
7	204593	TROCHOID PUMP ASSEMBLY	1
8	204187	WORM WHEEL	1
9	5060	SCREW	2
10	209407	TROCHOID PUMP	1
11	5145	SCREW	1
12	212978-91	ROTOR (INSIDE) SHAFT	1
13	212981	ROTOR (OUTSIDE)	1
14	212982A	PLATE	1
15	5328	SCREW	3
16	209410	CLAMP	1
17	1170-1	SCREW	1
18	3091	NUT	1
19	209408	FILTER (INSIDE)	1
20	209409	FILTER (OUTSIDE)	1
21	204185	O RING	1
22	5095	SCREW	2
23	208260	OIL RESERVOIR	1
24	202287A	WASHER	1
25	5138B	SCREW	1
26	208318	GASKET	1
27	204806	WASHER	6
28	5150B	BOLT	6

OPTION



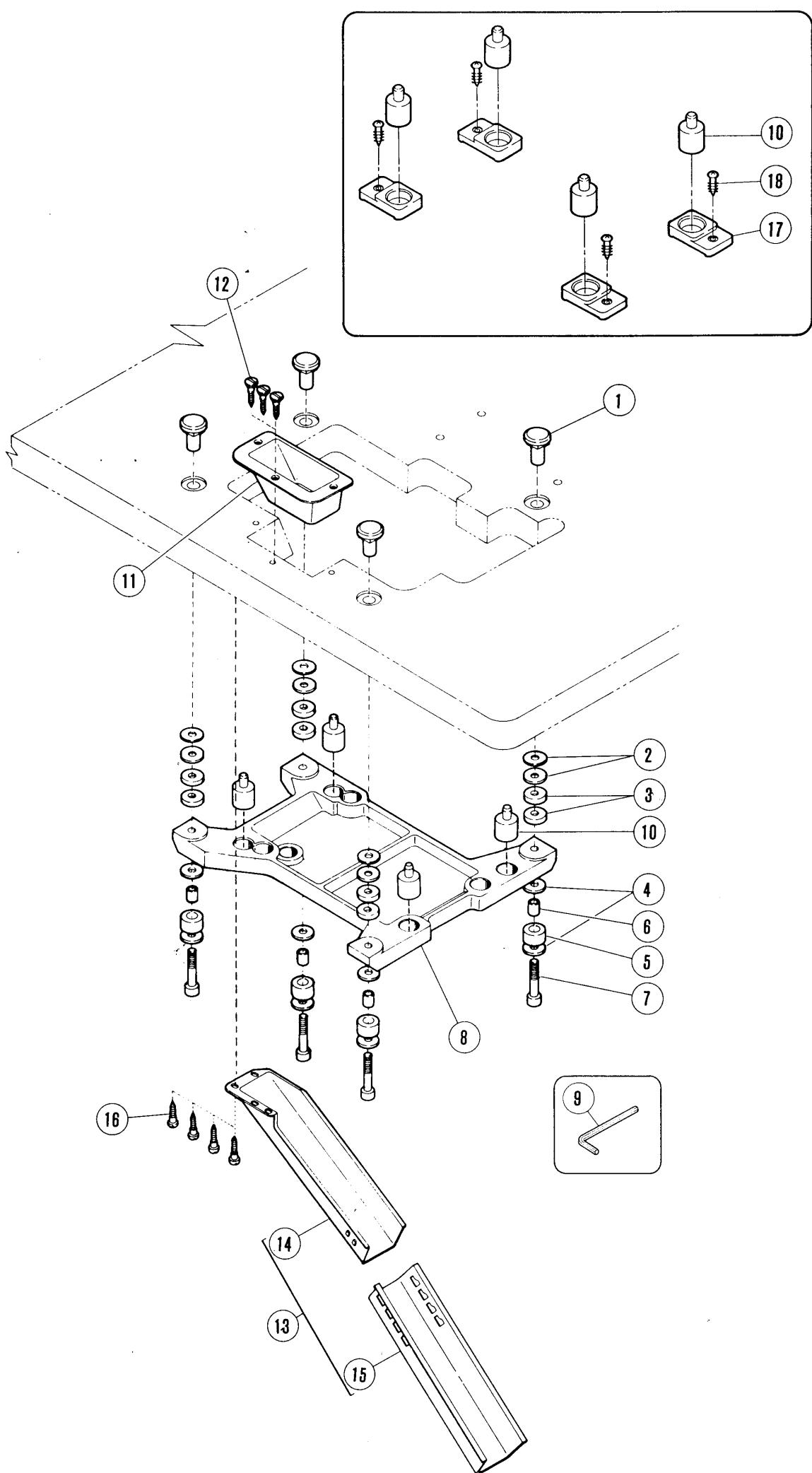
# H. R. DEVICE (OPTION)

REF. NO.	PART NO.	NAME	QT.
1	208308	SILICONE OIL RESERVOIR (UPPER)	1
2	5242	SCREW	1
3	5118	SCREW	1
4	200136	JOINT	1
5	200152	JOINT SCREW	1
6	204921	TUBE	1
7	202176	OIL WICK	1
8	200155	TUBE CLAMP	1
9	208486	THREAD LUBRICATOR	1
10	5345	SCREW	1
11	208487	PLATE	1
12	5012	SCREW	1
13	202199	CLAMP	1
14	209411-91	SILICONE OIL RESERVOIR (LOWER)	1
15	209412-91	SILICONE OIL RESERVOIR (LOWER)	1
16	204862	CAP COVER	1
17	206781	PIN	2
18	5345	SCREW	1
19	201185	WASHER	1
20	204921	TUBE	1
21	202176	OIL WICK	1
22	200155	TUBE CLAMP	2
23	208387	NEEDLE LUBRICATOR	1
24	5010	SCREW	1
25	1216	SCREW	1
26	204466	OIL WICK	1
27	240178	OIL FELT	1
28	210766	PIN	1



# ATTACHMENT

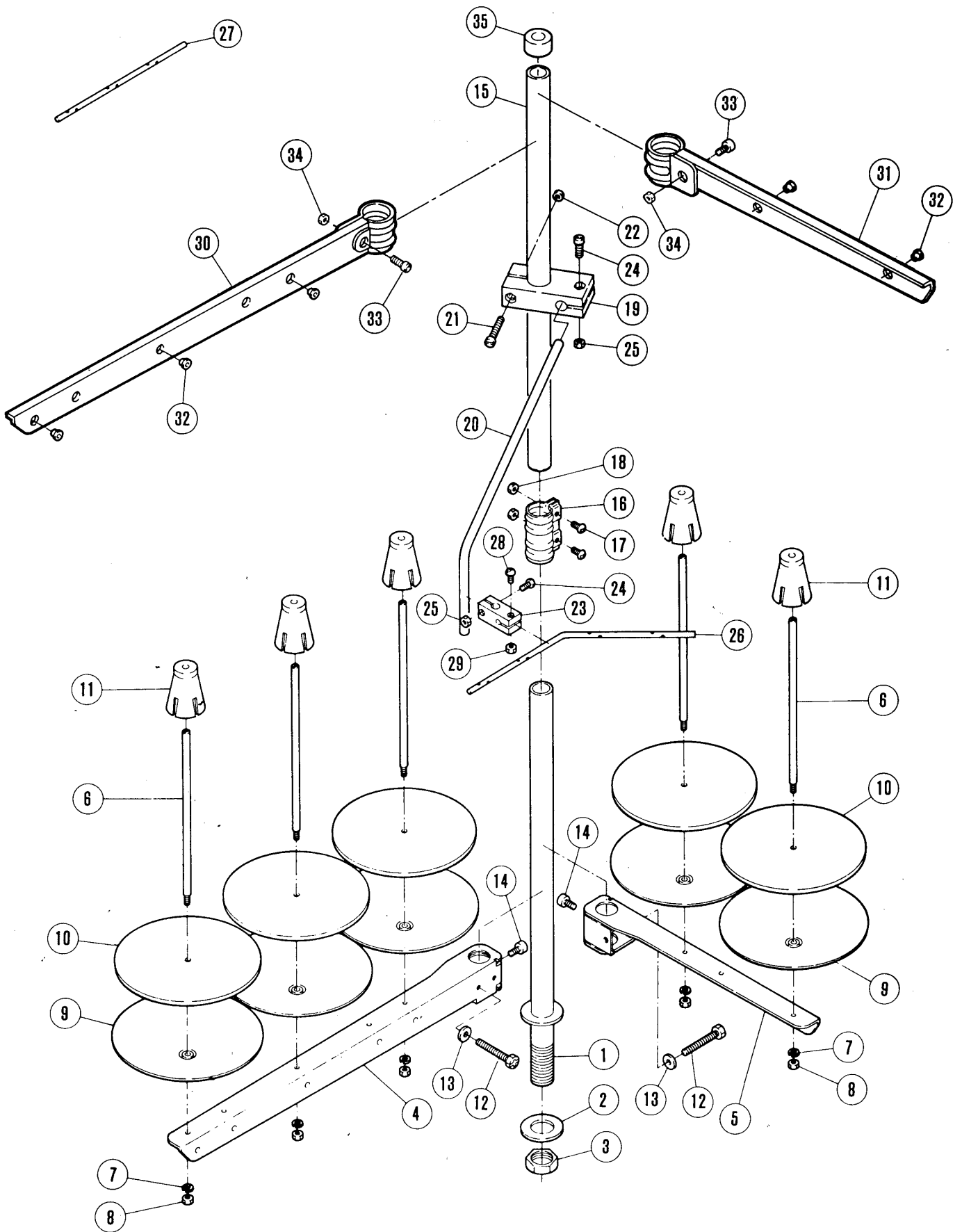
REF. NO.	PART NO.	NAME	QT.
1	208389	BINDER COMPLETE (28)	1
2	208390	BINDER COMPLETE (24)	1
3	208757	BINDER COMPLETE (32)	1
4	1216	SCREW	2
5	137142	WASHER	2
6	208569	TAPE GUIDE	1
7	2918	SCREW	1
8	202875	WASHER	1
9	403	TAPE DISC ASSEMBLY	1
10	406	FELT	1
11	405	FIXING ROD	1
12	404	TAPE DISC	1
13	4012	SCREW	1
14	407	COLLAR	1
15	408	ADJUSTING SCREW	1
16	409	SHAFT	1
17	4818	NUT	1
18	410-JA	BRACKET	1
19	4908	SCREW	3
20	208638	BINDER COMPLETE	1
21	1216	SCREW	1
22	137142	WASHER	1
23	208642	BRACKET/BINDER	1
24	204888	SPRING	2
25	5380	SCREW	1
26	5104	NUT	1
27	208643	BRACKET BASE COMPLETE	1
28	5117	SCREW	2
29	202689	FLAT SPRING	1
30	1234	SCREW	2
31	208646	CHIP CHUTE	1
32	1234	SCREW	2





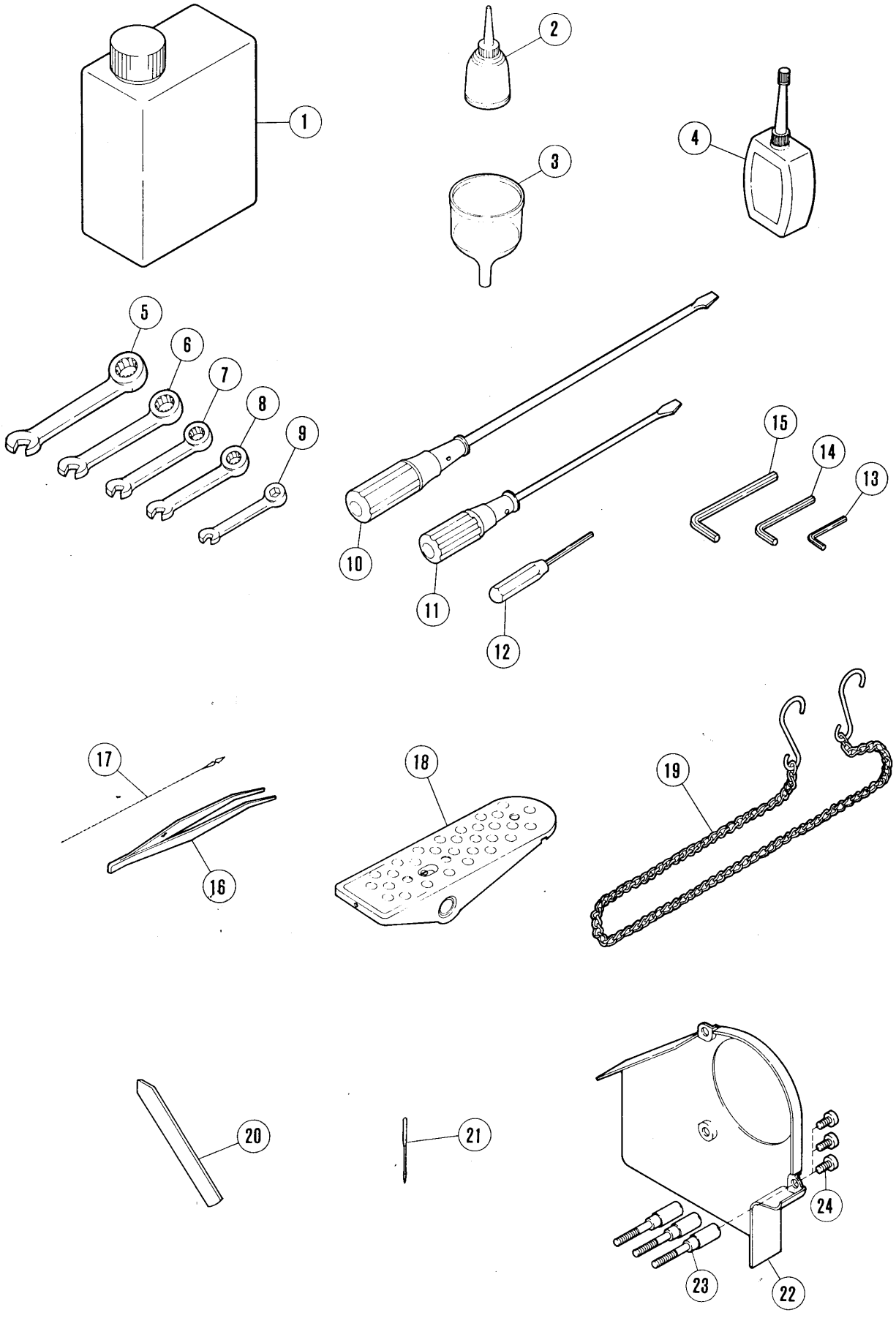
# PARTS FOR SEMI-SUBMERGED INSTALLATION

REF. NO.	PART NO.	NAME	QT.
1	206336	NUT	4
2	206337	WASHER	8
3	205467	SPACER	8
4	206337	WASHER	8
5	205764	CUSHION RUBBER	4
6	205765	LINER	4
7	4512	SCREW	4
8	205466	MACHINE REST BOARD	1
9	272	ALLEN KEY/6MM	1
10	205473	CUSHION RUBBER	4
11	205470-JA	WASTE CHUTE TOP	1
12	4904	SCREW	3
13	9050	WASTE CHUTE SET	1
14	205468-JA	WASTE CHUTE TOP	1
15	205469-JA	WASTE CHUTE TOP (B)	1
16	4905	SCREW	4
17	208756	BRACKET/CUSHION RUBBER	4
18	4905	SCREW	4



# THREAD STAND

REF. NO.	PART NO.	NAME	QT.	
	486C9C	THREAD STAND ASS. (3-SPOOLS)	1	
	486B9C	THREAD STAND ASS. (4-SPOOLS)		1
1	503-CA	THREAD STAND ROD (LOWER)	1	1
2	509	WASHER	1	1
3	5476	NUT	1	1
4	505-CA	BRACKET	1	
5	505ACA	BRACKET		2
6	380A	SPOOL PIN	3	4
7	201252	SPRING WASHER	3	4
8	4803	NUT	3	4
9	381-CA	SPOOL TRAY	3	4
10	507	CUSHION	3	4
11	382-CA	SPOOL RETAINING FIN	3	4
12	7102	SCREW	1	2
13	512	WASHER	1	2
14	4022	SCREW	1	2
15	502-CA	THREAD STAND ROD (UPPER)	1	1
16	504-CA	JOINT	1	1
17	4021	SCREW	2	2
18	4805	NUT	2	2
19	383-CA	BRACKET	1	1
20	384	THREAD GUIDE BAR ROD	1	1
21	4014	SCREW	1	1
22	4803	NUT	1	1
23	233-CA	HOLDER	1	1
24	4012	SCREW	2	2
25	4803	NUT	2	2
26	293B	THREAD GUIDE BAR (4-SPOOLS)		1
27	293C	THREAD GUIDE BAR (3-SPOOLS)	1	
28	4012	SCREW	1	1
29	4803	NUT	1	1
30	527-CA	BRACKET	1	
31	527ACA	BRACKET		2
32	506	THREAD GUIDE	3	4
33	4117	SCREW	1	2
34	4805	NUT	1	2
35	386	ROD CAP	1	1



# ACCESSORIES

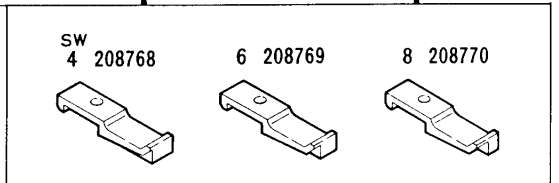
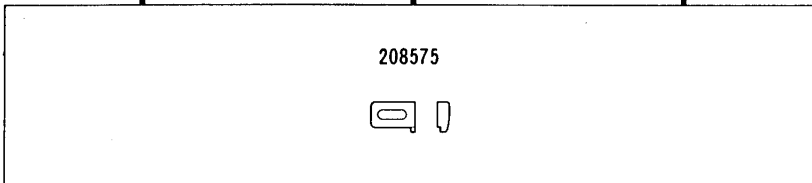
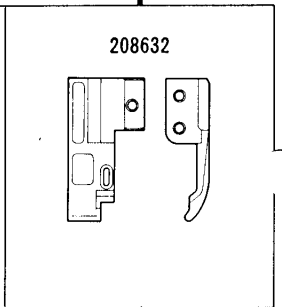
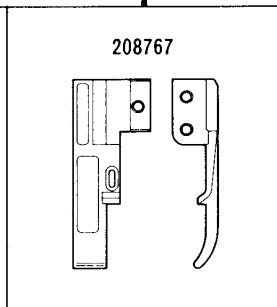
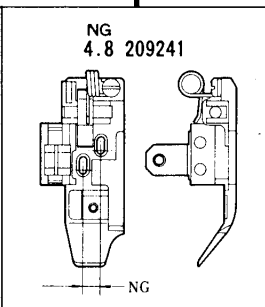
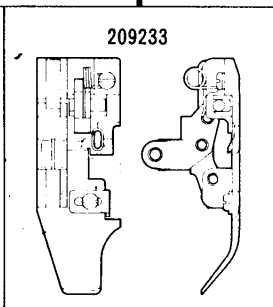
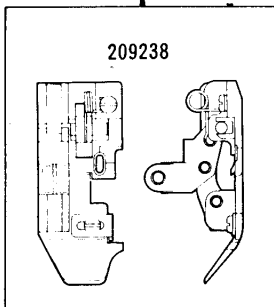
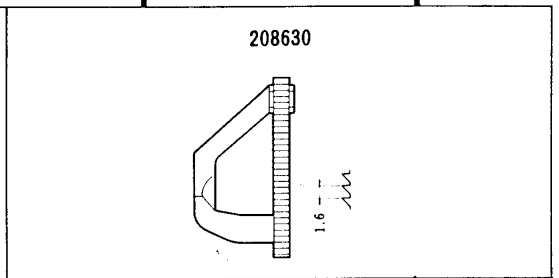
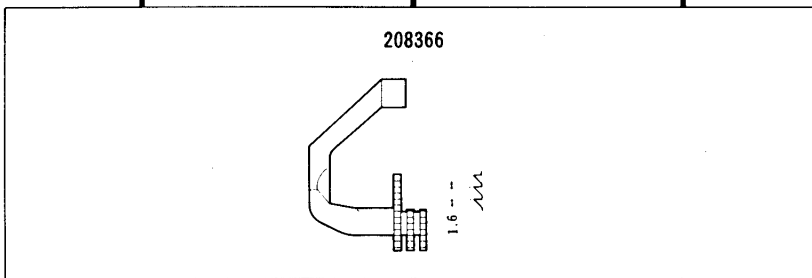
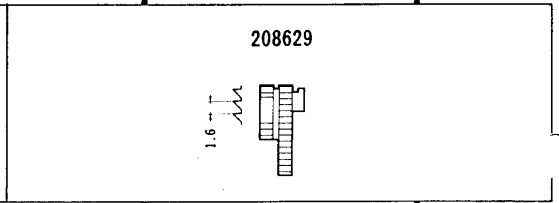
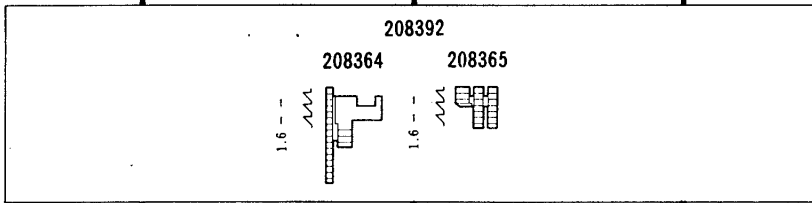
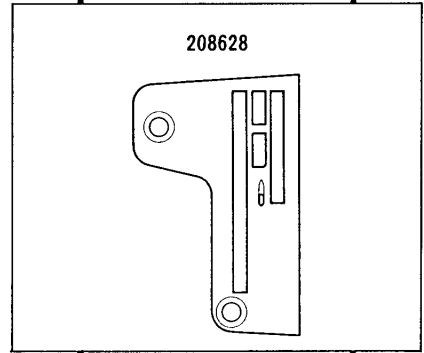
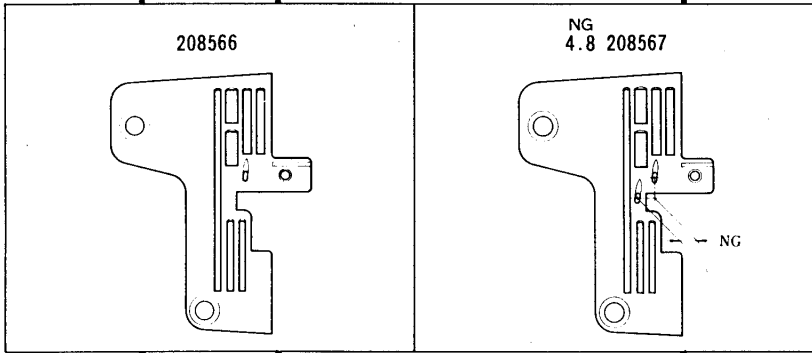
REF. NO.	PART NO.	NAME	QT.
1	452	OIL CONTAINER/750CC	1
2	485	OILER	1
3	484	OIL FUNNEL	1
4	178	CONTAINER - SILICONE	1
5	286	WRENCH/9.5MM	1
6	285	WRENCH/8MM	1
7	284	WRENCH/7MM	1
8	283	WRENCH/6MM	1
9	391	WRENCH/5MM	1
10	127	SCREWDRIVER (LARGE)	1
11	128	SCREWDRIVER (MEDIUM)	1
12	179	ALLEN KEY DRIVER	1
13	322	ALLEN KEY/2.38MM	1
14	182	ALLEN KEY	1
15	200	ALLEN KEY/4.76MM	1
16	131	TWEEZERS	1
17	153	THREADING WIRE	1
18	478	PEDAL	1
19	392	CHAIN	1
20	208393	LOWER KNIFE	2
21	DCX27	NEEDLE	5
22	205216A	BELT COVER	1
23	205217	SCREW	3
24	5117	SCREW	3

401-02x100 401-04x100

401-02x250

401-03x100L  
401-13x100L

401-03x100S  
401-13x100S



NG=NEEDLE GAUGE  
SW=SEAM WIDTH

401-02x100

401-04x100

401-02x250

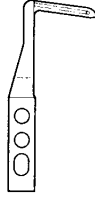
401-03x100L 401-03x100S

401-13x100L 401-13x100S

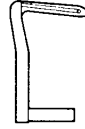
208360



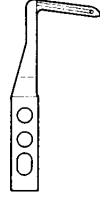
204431



208360



204314A



208356



208357



208358



204042



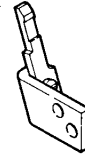
208356



208357



204521



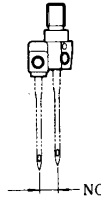
204356



208914



NG  
4.8 208914



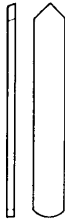
208909



202527A



208393



# GAUGE PARTS LIST

MACHINE TYPE /SPEC.	GAUGE		NEEDLE PLATE	MAIN FEED DOG ASS.	MAIN FEED DOG	AUX. FEED DOG	DIFF. FEED DOG	PRESSER FOOT	FABRIC GUARD	RIGHT LOOPER	LEFT LOOPER
	NG	SW									
401-02×100			208566	208392	208364	208355	208366	209238	208575	208360	—
401-02×250	4.8		208567	208392	208364	208365	208366	209241	208575	208360	204431
401-04×100			208566	208392	208364	208355	208366	209233	208575	208360	—

MACHINE TYPE /SPEC.	GAUGE		LEFT NEEDLE			RIGHT NEEDLE			UPPER KNIFE	LOWER KNIFE	NEEDLE HOLDER	NEEDLE
	NG	SW	NDL GUARD (FRONT)	NDL GUARD (REAR)	NDL GUARD (FRONT)	NDL GUARD (REAR)	NDL GUARD (FRONT)	NDL GUARD (REAR)				
401-02×100			—	—	208357	—	208356	208914	202527A	208393	DC×27 #14	
401-02×250	4.8		204042	208358	208357	208356	208356	208914	202527A	208393	DC×27 #14	
401-04×100			—	—	208357	208356	208356	208914	202527A	208393	DC×27 #14	

MACHINE TYPE /SPEC.	GAUGE		NEEDLE PLATE	MAIN FEED DOG	DIFF. FEED DOG	PRESSER FOOT	SHOE	LOOPER	NDL GUARD (FRONT)	NDL GUARD (REAR)	NEEDLE HOLDER	UPPER KNIFE	LOWER KNIFE	NEEDLE
	NG	SW												
401-03×100L		4	208628	208629	208630	208767	208768	204314A	204536	204521	208909	—	—	DC×27 #16
401-13×100L		6				208769	208769							
		8				208770	208770							
401-03×100S		4	208628	208629	208630	208632	208768	204314A	204536	204521	208909	—	—	DC×27 #16
401-13×100S		6				208769	208769							
		8				208770	208770							

NG = NEEDLE GAUGE  
SW = SEAM WIDTH



# INDEX

PART NO.	PAGE	NO. REF.	PART NO.	PAGE	NO. REF.	PART NO.	PAGE	NO. REF.	PART NO.	PAGE	NO. REF.	PART NO.	PAGE	NO. REF.
DC×27	13	41	1202	29	9	5002	5	23	5304	9	20	201252	41	7
DC×27	13	44	1216	5	5	5010	15	47	5312	13	13	201252	41	7
DC×27	43	21	1216	7	47	5010	35	24	5316	25	14	201323	33	2
DC×27 #14	46		1216	15	48	5012	35	12	5317	23	30	201360B	13	1
DC×27 #16	46		1216	25	28	5022	5	10	5317	29	16	201395	29	33
127	43	10	1216	35	25	5029	15	40	5321A	25	34	201523A	9	17
128	43	11	1216	37	4	5029	15	41	5328	5	12	201629	5	22
131	43	16	1216	37	21	5029	25	5	5328	9	31	201758	33	6
153	43	17	1229	31	40	5029	29	31	5328	13	7	202176	13	16
178	43	4	1231	31	8	5030	31	4	5328	17	13	202176	17	12
179	43	12	1231	31	16	5030	31	25	5328	17	47	202176	17	19
182	43	14	1231	31	29	5053	13	36	5328	31	9	202176	35	7
200	43	15	1234	7	23	5060	33	9	5328	31	19	202176	35	21
233-CA	41	23	1234	37	30	5077	19	49	5328	31	30	202199	35	13
233-CA	41	23	1234	37	32	5078	3	2	5328	31	41	202286	5	27
272	39	9	1457	5	8	5080	9	2	5328	33	15	202286	17	3
283	43	8	1457	13	30	5081	9	3	5332A	3	16	202286	17	9
284	43	7	1457	19	5	5082A	15	8	5336	15	38	202287A	33	24
285	43	6	1457	19	16	5084	17	20	5336	21	21	202433	19	36
286	43	5	1457	29	18	5084	17	28	5345	35	10	202451	29	26
293A	41	26	1457	29	25	5084	19	29	5345	35	18	202495	13	22
293A	41	26	1458	27	4	5084	21	5	5346	23	46	202522	21	32
293B	41	27	1459	11	4	5084	23	2	5359	13	21	202522	25	15
293B	41	27	1732	5	18	5084	23	27	5376	11	7	202526	3	14
293C	41	28	1732-HC	13	46	5084	25	19	5380	37	25	202527A	27	14
293C	41	28	2022	3	17	5088	27	15	5381	13	2	202527A	46	
322	43	13	2022	9	19	5091	5	31	5381	21	3	202576	5	6
380A	41	6	2022-4	11	9	5091	7	10	5381	23	6	202645	29	32
380A	41	6	2022-4	13	12	5091	19	3	5381	25	7	202647A	29	29
381-CA	41	9	2022-4	29	12	5091	19	14	5381	25	9	202653	7	20
381-CA	41	9	2133-1	23	25	5094	5	14	5381	25	17	202683	29	1
382-CA	41	11	2133-1	29	20	5094	7	48	5381	27	2	202689	7	22
382-CA	41	11	2193	17	10	5095	33	22	5385	17	33	202689	37	29
383-CA	41	19	2902	5	26	5104	37	26	5427	21	11	202706A	13	26
383-CA	41	19	2905	5	34	5113	15	27	5437	21	16	202757A	29	15
384	41	20	2905	19	18	5113	19	45	5455	19	37	202849	15	9
384	41	20	2913-2	29	6	5113	19	51	5455	23	9	202849	19	11
386	41	36	2918	37	7	5117	3	13	5455	25	12	202868	25	32
386	41	36	2921	29	27	5117	7	18	5457	17	16	202875	37	8
391	43	9	2922	17	40	5117	9	13	5457	19	32	202903	33	3
392	43	19	2922	23	22	5117	15	33	5458	7	35	204006	3	27
403	37	9	3044	5	24	5117	27	22	5461	21	13	204010	9	27
404	37	12	3044	7	7	5117	37	28	5461	21	27	204014	9	25
405	37	11	3044	19	19	5117	43	24	5476	41	3	204016	9	22
406	37	10	3044	19	26	5118	25	26	5476	41	3	204018	9	16
407	37	14	3044	29	38	5118	25	31	5482	7	15	204019A	9	15
408	37	15	3056	19	6	5118	27	13	5535	5	16	204020A	9	14
409	37	16	3056	19	20	5118	35	3	5546	17	2	204022	9	12
410-JA	37	18	3091	7	31	5137	7	49	5549	9	4	204023	9	5
452	43	1	3091	33	18	5137	15	19	7102	41	12	204026	9	6
478	43	18	4009-1	7	14	5138B	33	25	7102	41	12	204029	11	10
484	43	3	4009-1	7	25	5141	25	6	9050	39	13	204042	15	42
485	43	2	4009-1	15	29	5143A	15	17	9070-2	13	25	204042	46	
486B9C	41		4009-1	15	31	5145	33	11	137142	37	5	204052A	25	23
486C9C	41		4009-1	19	47	5146	7	43	137142	37	22	204084	21	6
502-CA	41	15	4009-1	23	11	5150B	33	28	137906	7	32	204085	21	2
502-CA	41	15	4009-1	27	17	5152	7	2	167072	19	10	204089	19	30
503-CA	41	1	4012	37	13	5152	29	2	167072	19	24	204093	17	34
503-CA	41	1	4012	41	24	5157	21	26	167077	19	7	204095A	19	42
504-CA	41	16	4012	41	29	5163	3	7	167077	19	21	204096	19	46
504-CA	41	16	4012	41	24	5182	5	30	167079	19	2	204097A	19	44
505-CA	41	4	4012	41	29	5205	23	40	167079	19	13	204099	19	4
505-CA	41	4	4014	41	21	5205	23	42	198192	7	26	204099	19	15
505ACA	41	5	4014	41	21	5223	31	18	200030	13	31	204100	21	1
505ACA	41	5	4021	41	17	5227	15	43	200041	13	23	204107	17	8
506	41	33	4021	41	17	5227	15	50	200098	7	6	204107	23	10
506	41	33	4022	41	14	5231	23	15	200098	27	23	204111A	23	12
507	41	10	4022	41	14	5231	23	37	200136	35	4	204114	23	13
507	41	10	4117	41	34	5232	29	10	200152	33	4	204114	23	35
509	41	2	4117	41	34	5233	11	11	200152	35	5	204115	23	14
509	41	2	4512	39	7	5233	11	13	200155	35	8	204115	23	36
512	41	13	4802	17	29	5234	13	4	200155	35	22	204122	23	34
512	41	13	4803	41	8	5237	3	6	200162A	5	4	204123A	23	18
527-CA	41	31	4803	41	22	5240	9	24	200555	7	45	204124	23	31
527-CA	41	31	4803	41	25	5242	35	2	200555	15	26	204128A	23	26
527ACA	41	32	4803	41	30	5259	19	41	200654	13	15	204129A	23	24
527ACA	41	32	4803	41	8	5260	27	24	201002	3	3	204139A	25	16
1170-1	9	23	4803	41	22	5267	9	7	201002	3	10	204140A	25	13
1170-1	33	17	4803	41	25	5271	29	37	201037	15	4	204142B	25	29
1170-3	13	19	4803	41	30	5284	17	35	201037	15	13	204143A	25	30
1175-2	15	46	4805	41	18	5284	17	42	201048A	19	1	204145A	11	12
1175-2	23	23	4805	41	35	5291	31	11	201048A	19	12	204146	27	3
1175-2	27	26	4805	41	18	5291	31	21	201056	19	28	204147	27	1
1175-3	7	30	4805	41	35	5291	31	32	201056	23	1	204149	27	9
1175-3	7	40	4818	37	17	5292	13	17	201056	29	17	204158	27	20
1186	13	28	4904	39	12	5292	13	40	201074A	17	1	204159	27	21
1189	17	38	4905	39	16	5292	13	43	201117	13	6	204160A	15	45
1189	17	45	4905	39	18	5292	17	31	201139	5	7	204160A	27	25
1189	23	33	4908	37	19	5292	19	43	201185	35	19	204162	27	18
1196	31	36	5001	27	7	5292	21	10	201252	7	41	204172	17	39

# INDEX

PART NO.	PAGE	NO. REF.	PART NO.	PAGE	NO. REF.	PART NO.	PAGE	NO. REF.	PART NO.	PAGE	NO. REF.	PART NO.	PAGE	NO. REF.
204177B	29	8	208027	17	30	208449	15	7	208921	7	13			
204178	29	7	208028	17	25	208449	15	16	208932-HD	9	1			
204185	33	21	208029	17	27	208449	19	9	208944	21	28			
204186A	9	18	208108	23	39	208449	19	23	208945	5	11			
204187	33	8	208109	23	44	208450	15	5	208949	21	31			
204193	33	1	208168	23	43	208450	15	14	208951	11	3			
204194	33	5	208169A	3	9	208476	9	9	208952	23	41			
204198	9	8	208173	3	23	208477	9	11	208958-B	31	2			
204218	5	3	208173	3	26	208481	7	11	208958-B	31	23			
204223	7	24	208192	11	8	208482	7	9	208978	31	10			
204242	5	9	208194	17	14	208486	35	9	208978	31	31			
204243	7	33	208195	17	11	208487	35	11	209068	13	24			
204251	3	4	208195	17	18	208526	29	23	209169	23	3			
204293	17	17	208196	17	24	208527	31	17	209174	15	10			
204293	17	36	208235	27	8	208529	31	20	209233	31	22			
204293	17	43	208247	13	10	208534	29	21	209233	46				
204314A	17	37	208248	13	8	208535	29	19	209238	31	1			
204314A	46		208249	13	5	208537	29	36	209238	46				
204319	9	30	208250	13	9	208549	29	24	209241	31	12			
204324	19	48	208260	33	23	208560	15	21	209241	46				
204431	17	44	208267	11	14	208561	15	22	209243	31	13			
204431	46		208272	9	10	208562	15	23	209304	21	29			
204439A	23	29	208273	25	1	208563	15	24	209367HY	11	1			
204466	35	26	208274	25	2	208566	46		209367JY	11	2			
204521	15	44	208275	25	3	208567	46		209405	5	32			
204521	46		208276	25	4	208568	15	20	209407	33	10			
204536	15	49	208284	23	5	208569	37	6	209408	33	19			
204536	46		208285	23	7	208570-FA	5	29	209409	33	20			
204588	23	17	208285	25	10	208575	31	3	209410	33	16			
204593	33	7	208286	23	8	208575	31	24	209411-91	35	14			
204618	23	16	208286	25	11	208575	46		209412-91	35	15			
204625A	13	32	208307	15	18	208578	27	11	210003	3	15			
204627A	13	34	208308	35	1	208579	27	12	210003	3	22			
204650A	5	13	208312	15	28	208580	27	16	210003	3	25			
204751	23	4	208313	29	11	208581-HD	7	1	210005	3	12			
204752	25	24	208314	29	13	208582	17	4	210007	5	33			
204754A	25	18	208315	29	14	208583	7	38	210025	5	2			
204755	25	25	208316	29	5	208599	29	30	210067	27	5			
204756	25	21	208318	33	26	208602-FD	3	1	210124	17	5			
204757	25	20	208339	7	8	208603-FD	3	5	210125	17	7			
204806	33	27	208341	7	16	208610	5	1	210127	21	7			
204810	23	38	208342	7	17	208616	13	35	210129	21	8			
204828	3	21	208346	11	6	208617	13	37	210130	21	9			
204848A	7	34	208356	15	35	208621	13	29	210136	21	23			
204862	35	16	208356	15	39	208624AFD	3	11	210164	25	22			
204865AFA	5	28	208356	46		208625	23	45	210282A	21	12			
204868	5	25	208357	15	34	208627	11	5	210283	19	40			
204870	25	33	208357	15	36	208628	46		210284	19	38			
204873	9	28	208357	46		208629	46		210285	19	35			
204874	19	27	208358	15	37	208630	46		210287	19	31			
204881	9	29	208358	46		208632	31	34	210292	19	33			
204883	25	27	208359	15	32	208632	46		210294	17	15			
204888	37	24	208360	17	46	208636	31	35	210296	17	22			
204921	35	6	208360	46		208637	29	22	210297	17	23			
204921	35	20	208361	17	41	208638	37	20	210319	15	6			
204929	29	4	208362	19	50	208642	37	23	210319	15	15			
204930	29	3	208363	19	25	208643	37	27	210319	19	8			
205015	19	39	208364	46		208645	7	39	210319	19	22			
205088	19	34	208365	46		208646	37	31	210529	15	1			
205216A	43	22	208366	46		208696	27	10	210586	17	21			
205217	43	23	208374	31	7	208713	15	25	210679	3	20			
205466	39	8	208374	31	15	208725	7	21	210679	3	29			
205467	39	3	208374	31	28	208737	5	21	210766	35	28			
205468-JA	39	14	208381	13	27	208738	5	20	211657	29	28			
205469-JA	39	15	208382	13	20	208740	5	19	211802A	21	14			
205470-JA	39	11	208383	7	36	208741	5	17	211804	21	15			
205473	39	10	208384	7	37	208744	7	28	211806	21	25			
205495	13	3	208387	35	23	208747	7	27	211807	21	24			
205495	21	4	208389	37	1	208755	25	8	212186	13	33			
205685	7	29	208390	37	2	208756	39	17	212280A	3	28			
205764	39	5	208392	46		208757	37	3	212978-91	33	12			
205765	39	6	208393	27	19	208767	31	33	212981	33	13			
205857	23	28	208393	43	20	208767	46		212982A	33	14			
206115	19	17	208393	46		208768	31	37	230047A	3	19			
206181B	27	6	208395	31	14	208768	46		240102	9	26			
206336	39	1	208400	15	30	208769	31	38	240102	17	6			
206337	39	2	208411	21	17	208769	46		240162	3	24			
206337	39	4	208412	21	19	208770	31	39	240178	35	27			
206457	7	3	208413	21	18	208770	46							
206682	7	4	208415	21	22	208773	29	35						
206707	3	18	208421	21	30	208774	29	34						
206781	21	20	208424	13	11	208802	7	5						
206781	35	17	208425	13	14	208899	31	5						
207358	9	21	208427	13	18	208899	31	26						
208008-FD	7	46	208430	5	15	208900	31	6						
208009	7	42	208434	3	8	208900	31	27						
208010	7	44	208447	15	2	208903	13	38						
208023A-HD	7	19	208447	15	11	208909	46							
208025	17	32	208448	15	3	208914	46							
208026	17	26	208448	15	12	208919	7	12						



