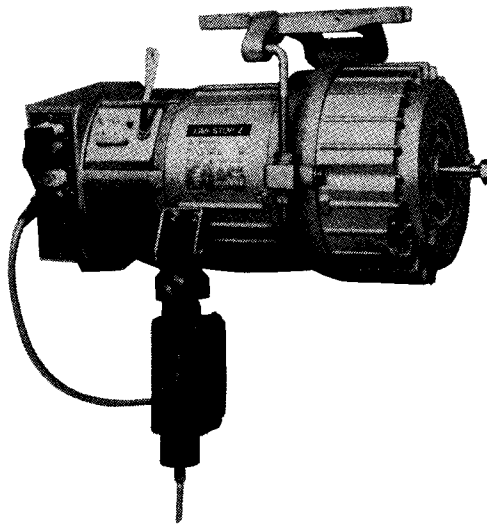


MITSUBISHI

LIMI-STOP Z Clutch Motor Parts List

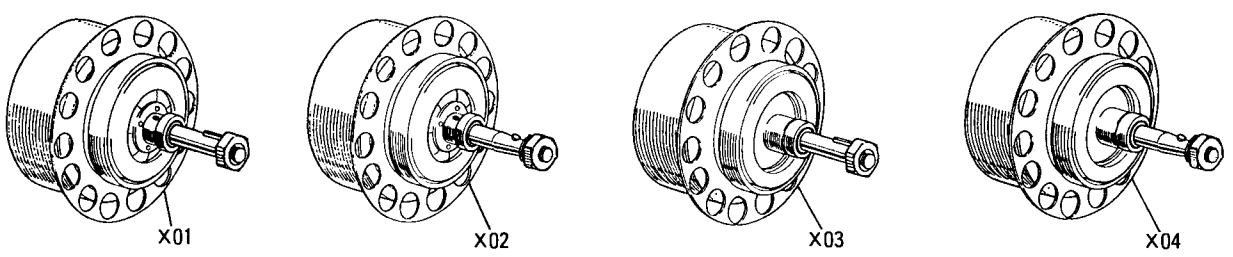
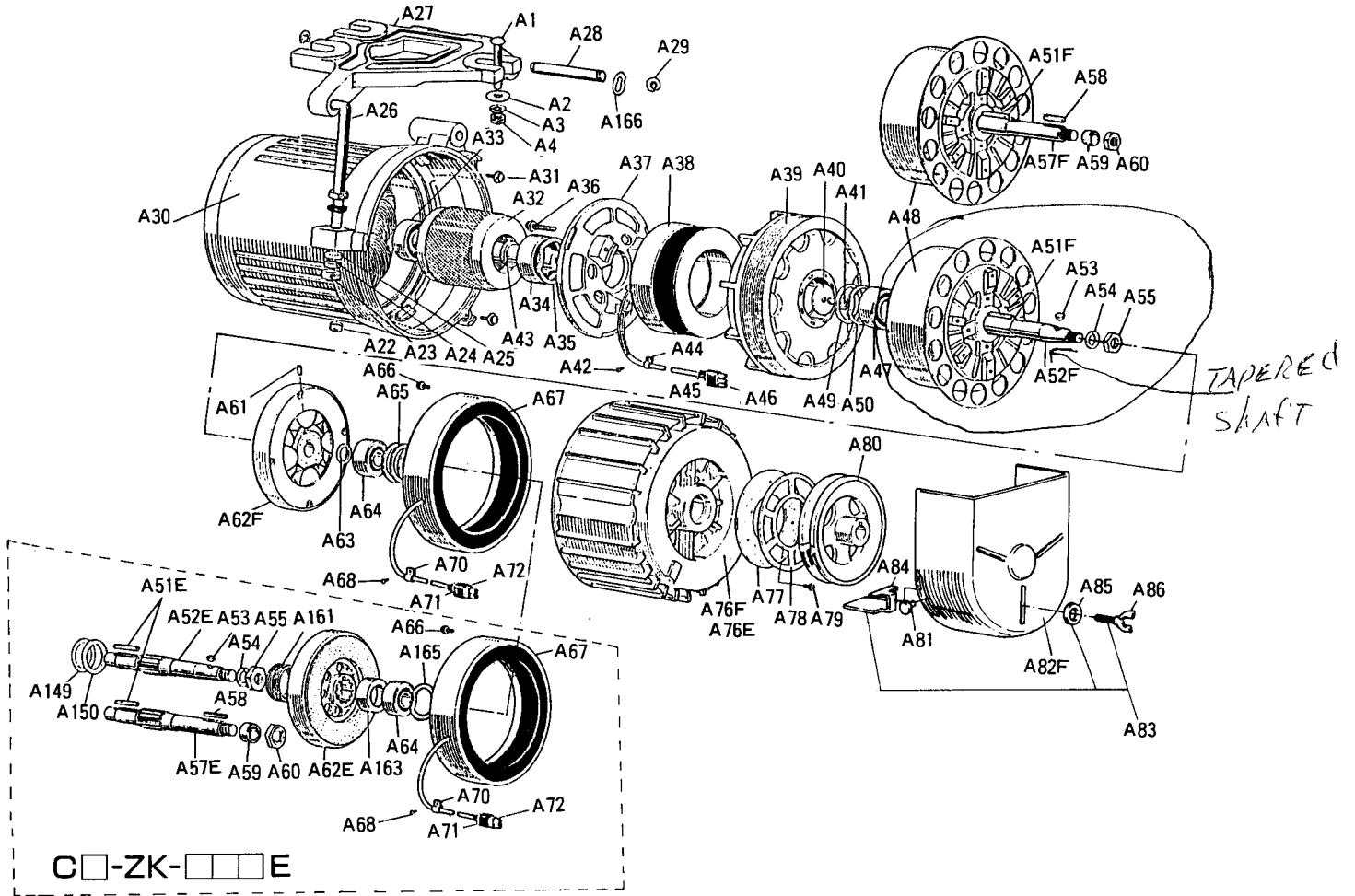
Model	CA-ZK	<input type="text"/>	<input type="text"/>	<input type="text"/>	F-	<input type="text"/>	<input type="text"/>
	CB-ZK	<input type="text"/>	<input type="text"/>	<input type="text"/>	F-	<input type="text"/>	<input type="text"/>
	CA-ZK	<input type="text"/>	<input type="text"/>	<input type="text"/>	F-FL	<input type="text"/>	<input type="text"/>
	CB-ZK	<input type="text"/>	<input type="text"/>	<input type="text"/>	F-FL	<input type="text"/>	<input type="text"/>
	CA-ZK	<input type="text"/>	<input type="text"/>	<input type="text"/>	E-AMK	<input type="text"/>	<input type="text"/>
	CB-ZK	<input type="text"/>	<input type="text"/>	<input type="text"/>	E-AMK	<input type="text"/>	<input type="text"/>
	CA-ZK	<input type="text"/>	<input type="text"/>	<input type="text"/>	E-AMKL	<input type="text"/>	<input type="text"/>
	CB-ZK	<input type="text"/>	<input type="text"/>	<input type="text"/>	E-AMKL	<input type="text"/>	<input type="text"/>
	CA-ZK	<input type="text"/>	<input type="text"/>	<input type="text"/>	E-AMBL	<input type="text"/>	<input type="text"/>
	CB-ZK	<input type="text"/>	<input type="text"/>	<input type="text"/>	E-AMBL	<input type="text"/>	<input type="text"/>



INDEX

Page

A Motor.....	1
B Control Box.....	5
C Lever Unit.....	7
D Accessory.....	9



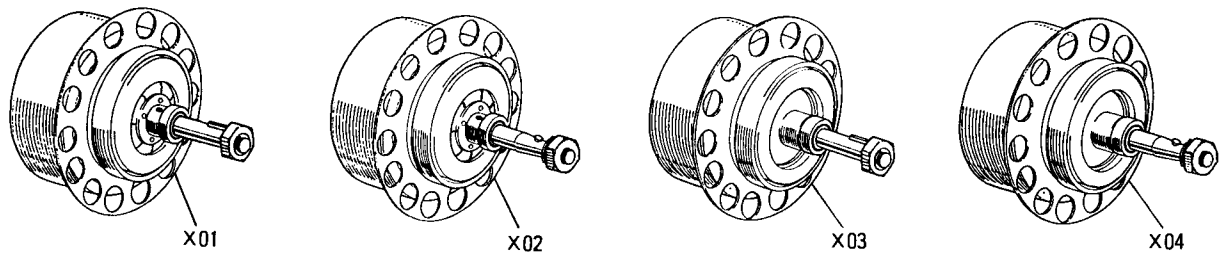
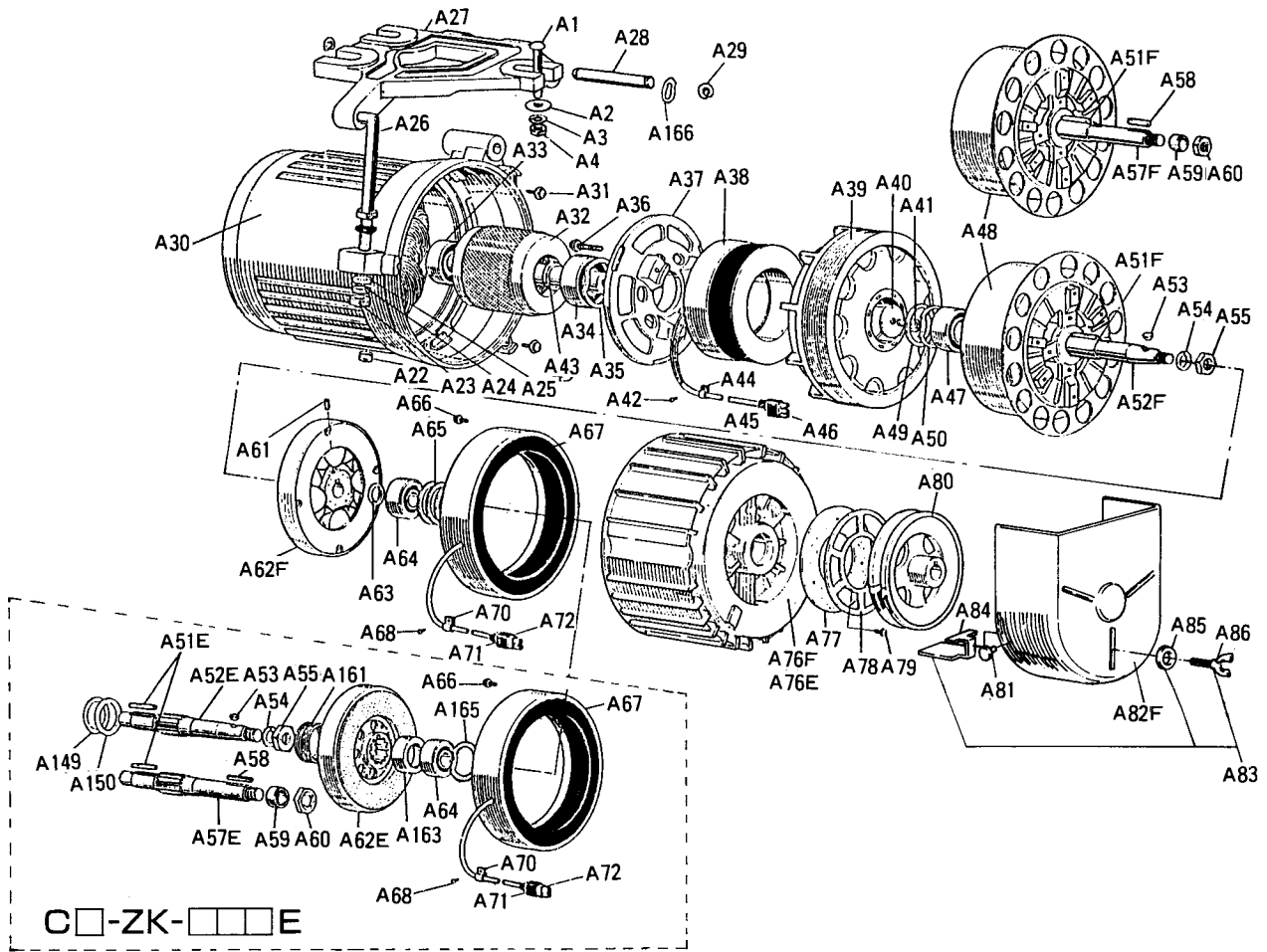
A MOTOR

C□-ZK-□□□ E-□□□□□□

Fig. No.	Parts. No.	Description	Amt. Reg.	
			E	F
A1	K 11M90451403	Bolt M8×70	3	3
A2	K 11M91490801	Washer	3	3
A3	K 10S 91321008	Spring Washer 8	3	3
A4	K 10S 91001008	Nut M8	3	3
A22	K 10S 93501207	Bushing 6.3×4.5	1	1
A23	K 10S 91001010	Nut M10	2	2
A24	K 10S 91321010	Spring washer 10	1	1
A25	K 11M91398201	Washer	2	2
A26	K 11M98501202	Adjusting bolt	1	1
A27	K 11M97899141	Base	1	1
A28	K 11M92187501	Base-pin	1	1
A29	K 10S 92221090	E-Ring 9	2	2
A30	★ K 11M9999991	Frame & Stator Assy.	1	1
A31	K 11M90291980	Screw	3	3
A32	* K 11M9999991	Rotor (with shaft)	1	1
A33	K 10S 86203279	Shielded ball Bearing #6203	1	1
A34	K 10S 86204379	Shielded ball Bearing #6204	1	1
A35	K 11M96281647	Preload spring	1	1
A36	K 10S 90201518	Screw with SW M5×0.8×18	3	3
A37	K 11M38212620	Middle bracket	1	1
A38	K 11M09025901	Clutch coil assy.	1	1
A39	K 11M09025902	Drive-Member Assy.(2poles)	1	1
A39	K 11M09026002	Drive-Member Assy.(4poles)	1	1
A40	K 11M91397903	Washer	1	1
A41	K 10S 90201614	Screw with SW M6×14	1	1
A42	K 10S 90001408	Screw M5×0.7×8	1	1
A43	K 11M91780601	Spacer	1	1
A44	K 10S 94522004	Nylon clip HP-4N	1	1
A45	K 11M96823513	Cap for 3191-03R1	1	1
A46	K 10S 95024562	Connector	1	1
A47	K 10S 86302273	Shielded ball bearing #6302	1	1
A48	K 11M09025903	Driven-Member assy.	1	1
A49	K 11M91370409	Whasher	1	1
A50	K 11M96282842	Preload spring	—	1
A51E	K 10S 92511118	Key 5×5×18	1	—
A51F	K 10S 92511150	Key 5×5×50	—	1
A52E	K 11M97103605	Clutch shaft (taper)	1	—
A52F	K 11M97103701	Clutch shaft (taper)	—	1
A53	K 10S 92531413	Woodruff Key 4×13 (for taper)	1	1
A54	K 10S 91321010	Spring washer 10 (for taper)	1	1
A55	K 11M91025401	Nut M10×1 (for taper)	1	1
A57E	K 11M97103606	Clutch shaft (straight)	1	—
A57F	K 11M97103801	Clutch shaft (straight)	—	1
A58	K 11M92554002	Key 5×5×24 (for straight)	1	1
A59	K 11M91732203	Collar	1	1
A60	K 10S 91169012	Nut M12 (for straight)	1	1
A61	K 10S 90131108	Set screw M6×8	—	2
A62E	K 11M72220983	Armature (linning) assy.	1	—
A62F	K 11M72223301	Armature (linning) assy.	—	1
A63	K 11M91780701	Spacer	—	1
A64	K 11M86202379	Shielded ball bearing #6202	1	1
A65	K 11M91370206	Washer	—	3
A66	K 11M90291980	Screw	3	3
A67E	K 11M72741202	Core assy.	1	1
A68	K 10S 90751408	Screw M4×0.7×8	1	1
A70	K 10S 94522004	Nylon clip HP-8N	1	1
A71	K 11M96823512	Nylon cap	1	1
A72	K 10S 95024561	Connector 3191-02R1	1	1
A76E	K 11M38212582	Bracket (load side)	1	—
A76F	K 11M38212583	Bracket (load side)	—	1
A77	K 11M98483503	Filter	1	1
A78	K 11M98707402	Plate 11	1	1
A79	K 10S 90751408	Screw M4×0.7×8	3	3

★-mark: please send us the informations of motor (model name, voltage, frequency).

*-mark: please send us the model name of motor.



A MOTOR

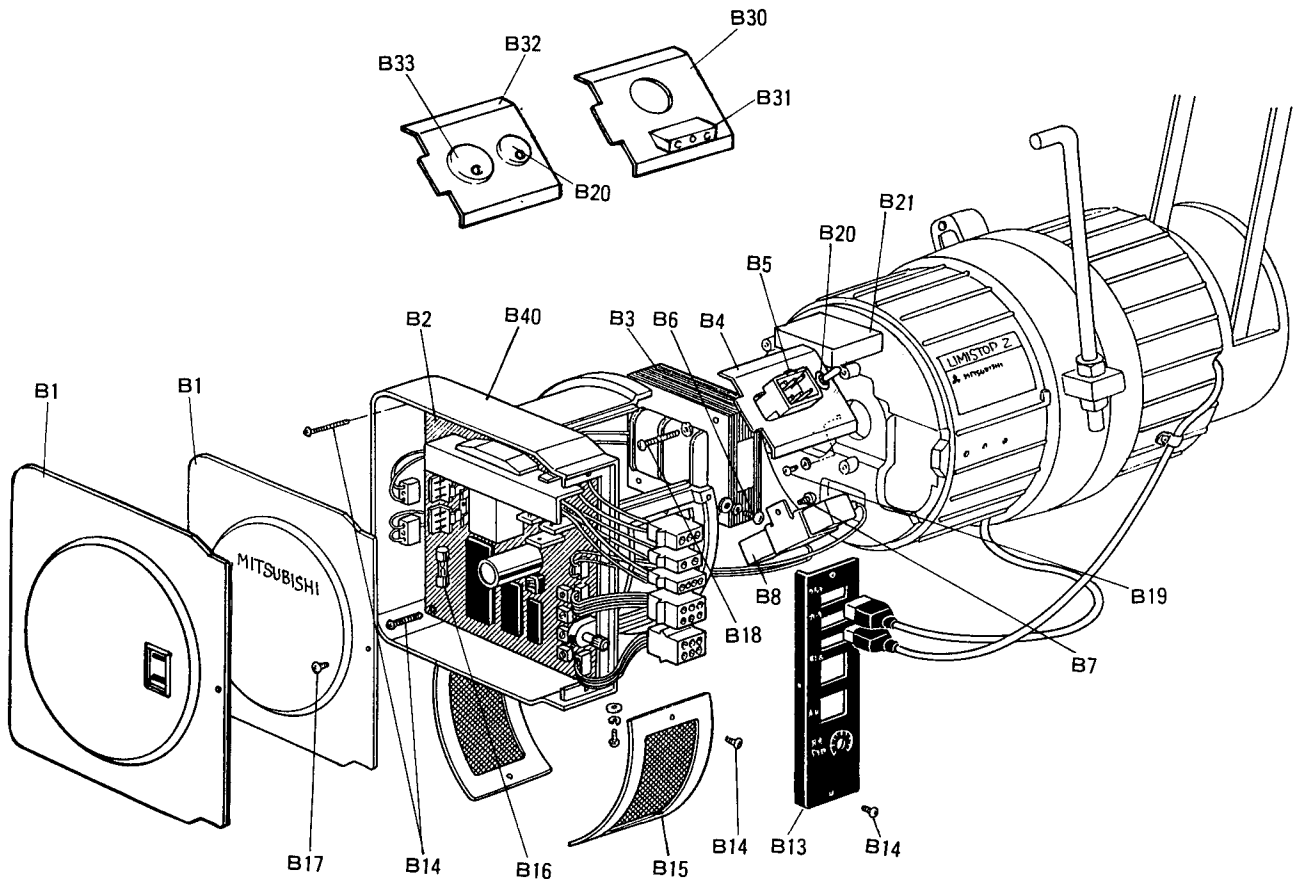
C□-ZK-□□□ □E-□□□□□□

Fig. No.	Parts. No.	Description	Amt. Reg.	
			E	F
A81	K 10 S 90203410	Screw with SW & PW M4×0.7×10	2	2
A82	K 11M96813103	Belt cover	1	1
A149	K 11M91492502	Washer t1.0	1	—
A150	K 11M91370409	Washer t0.25	1	—
A161	K 11M92712802	Spring	1	—
A163	K 11M96823003	Cap	1	—
A165	K 11M96282835	Preload spring	1	—
A166	K 11M96282828	Preload spring	1	1
* A80	—	PULLEY	1	1
A83	K 11M09023108	Belt guide assy	1	1
A84	K 11M98877701	Belt guide	1	1
A85	K 11M51212010	Washer	1	1
A86	K 10 S 90353408	Bolt	1	1
X01	K 11M18265281	Clutch shaft assy with armature assy (for straight)	—	1
X02	K 11M18265280	Clutch shaft assy with armature assy (for taper)	—	1
X03	K 11M18265181	Clutch shaft assy with armature assy (for straight)	1	—
X04	K 11M18265180	Clutch shaft assy with armature assy (for taper)	1	—

*mark: please send us the in formation of pully(taper)—outer diameter.

B CONTROL BOX

C□-ZK-□□□ E-□□□□□

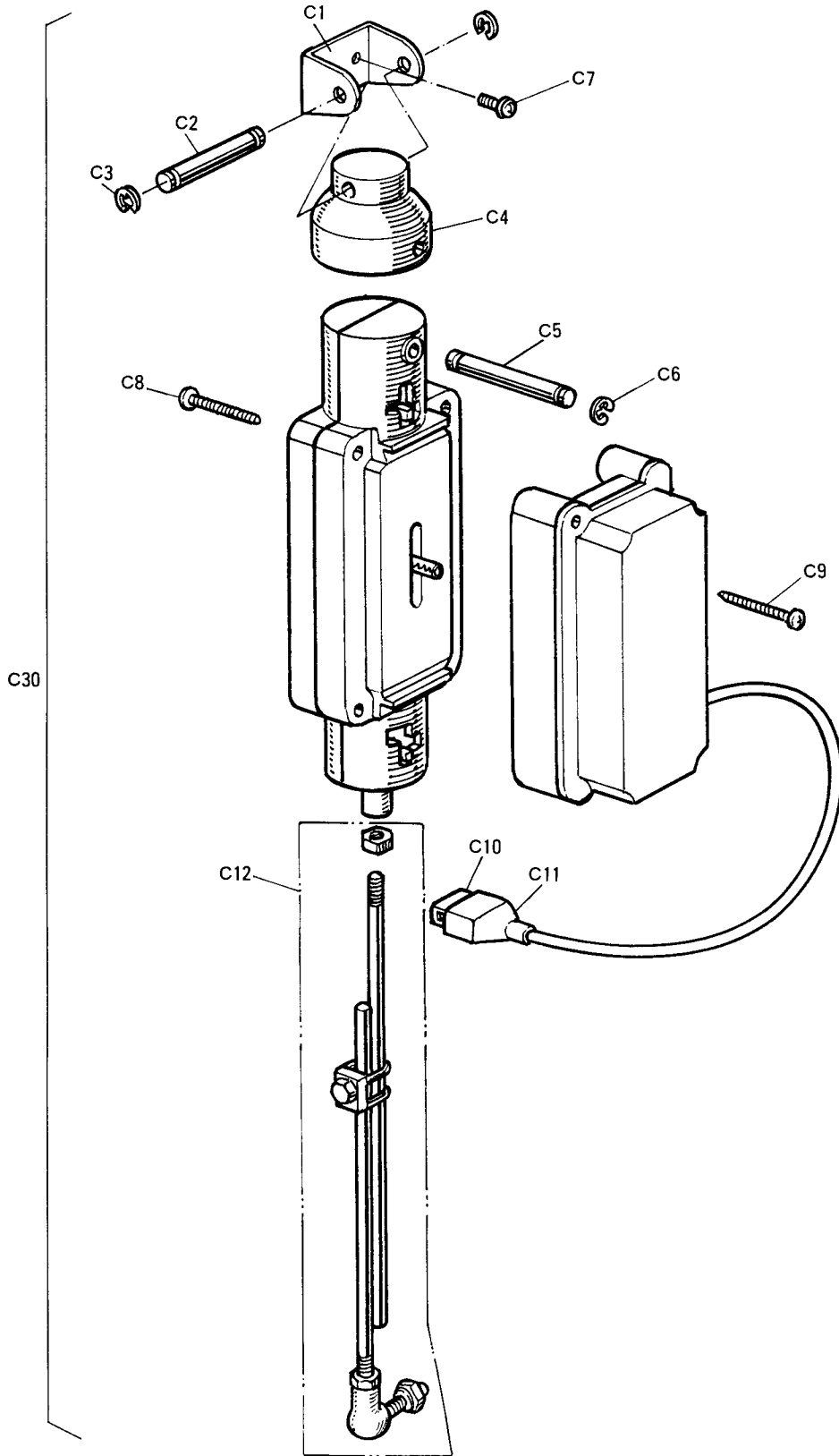


B CONTROL BOX

C□-ZK-□□□□ E-□□□□□□

Fig. No.	Parts. No.	Description	Amt. Reg.				
			Z K	F L	A M B L	A M K	A M K L
B1	K 11M71446031	Cover	1	1	—	1	1
B1	K 11M71446131	Cover	—	—	1	—	—
B2	K 11M71409810	P.C.B assy. (LK-2A)	1	—	—	—	—
B2	K 11M71409610	P.C.B assy. (LK-MBL-3A-FL)	—	1	—	—	—
B2	K 11M71418210	P.C.B assy. (LK-AMBL-1A)	—	—	1	—	—
B2	K 11M71418610	P.C.B assy. (LK-AMKL-1A-MK)	—	—	—	1	—
B2	K 11M71418410	P.P.B assy. (LK-AMKL-1A)	—	—	—	—	1
★B3	—	Transformer assy.	1	1	1	1	1
B4	K 11M98884802	Mounting plate	1	1	1	1	1
B5	K 11M94313601	Connector	1	1	1	1	1
B6	K 10S 90203410	Screw with SW & PW M4×0.7×10	3	3	3	3	3
B7	K 10S 90751408	TTP screw M4×0.7×8	1	1	1	1	1
B8	K 11MFS40680K	Resistor assy.	1	1	1	1	1
B13	K 11M71448035	Cover	1	—	—	—	—
B13	K 11M71448036	Cover	—	1	—	—	—
B13	K 11M71448041	Cover	—	—	1	—	1
B13	K 11M71448134	Cover	—	—	—	1	—
B14	K 10S 90751408	TTP screw M4×0.7×8	10	10	10	10	10
B15	K 11M71447030	Cover assy.	2	2	2	2	2
B16	K 10S 46001138	Fuse 8A	1	1	1	1	1
B17	K 10S 90203408	Screw SW & PW M4×0.7×8	2	2	2	2	2
B18	K 10S 90203435	Screw SW & PW M4×0.7×35	4	4	4	4	4
B19	K 10S 90203408	Screw SW & PW M4×0.7×8	2	2	2	2	2
B20	K 11M93513601	Bushing (for lamp)	1	1	1	1	1
★B21	K 11M95944508	Capacitor 20 μF(250W.4P,1∅)	1	1	1	1	1
★B21	K 11M95944507	Capacitor 16 μF(X2=32 μF) (400W.2P,1∅)	2	2	2	2	2
★B21	K 11M95944508	Capacitor 20 μF(X2=40 μF) (550W.2P,1∅)	2	2	2	2	2
B30	K 11M98884881	Mounting plate	1	1	1	1	1
B31	K 11M72850201	3P Receptacle	1	1	1	1	1
B32	K 11H98884803	Mounting plate	1	1	1	1	1
B33	K 10S 93501321	Protective Bushing 12.5×1.2	1	1	1	1	1
B40	K 11E 71440042	Box	1	1	1	—	—
B40	K 11E 71440043	Box	—	—	—	1	1

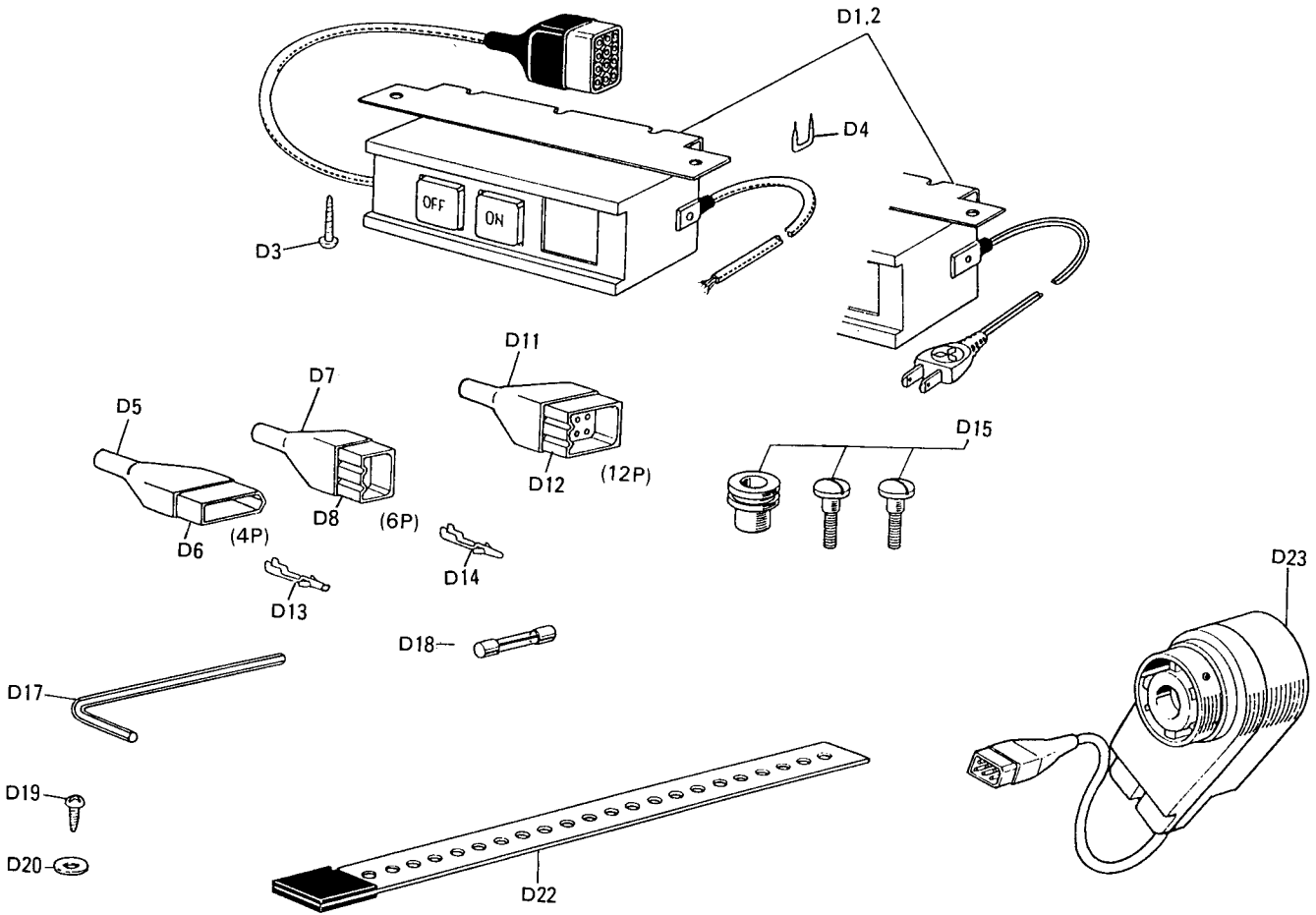
★-mark: please send us the information of motor(model name, voltage frequency).



C LEVER UNIT

LK-CL-□

Fig. No.	Parts. No.	Description	Amt. Reg.				
			Z K	F L	A M B L	A M K	A M K L
C1	K 11M71453002	Mounting plate	1	1	1	1	1
C2	K 11M71461102	Mounting shaft	1	1	1	1	1
C3	K 10S 92221070	E-ring 7	2	2	2	2	2
C4	K 11M71630201	Mounting base (for lever unit)	1	1	1	1	1
C5	K 11M71461103	Shaft	1	1	1	1	1
C6	K 10S 92221070	E-ring 7	2	2	2	2	2
C7	K 11M90291980	Special screw	2	2	2	2	2
C8	K 10S 90704425	Screw 4×25	4	4	4	4	4
C9	K 10S 90704210	Screw 3×10	2	2	2	2	2
C10	K 10S 95024126	Connector 1261P1 6P	1	1	1	1	1
C11	K 11M96821706	Nylon cap (blue)	1	1	1	1	1
C12	K 11M09029002	Joint shaft assy	1	1	1	1	1
C30	K 11M71400010	Lever Unit LK-CL-1	1	—	—	—	—
C30	K 11M71400020	Lever Unit LK-CL-2	—	1	1	1	1



D ACCESSORY

C□-ZK-□□□□ EF-□□□□□□

Fig. No.	Parts. No.	Description	Amt. Reg.				
			Z K	F L	A M B L	A M K	A M K L
★D1	K 11M09027380	Switch Assembly (1∅, 100V, 250W).....	1	1	1	1	1
★D1	K 11M09027383	Switch Assembly (1∅, 100V, 400W~).....	1	1	1	1	1
★D1	K 11M09027381	Switch Assembly (1∅, standard).....	1	1	1	1	1
★D1	K 11M09027382	Switch Assembly (1∅, Hong Kong).....	1	1	1	1	1
★D2	K 11M30309084	Switch Assembly (3∅, standard).....	1	1	1	1	1
★D2	K 11M09027582	Switch Assembly (3∅, over 300V).....	1	1	1	1	1
D3	K 10S 90810616	Wood Screw 4.1×16.....	2	2	2	2	2
D4	K 11M95610701	Staple.....	5	5	5	5	5
D5	K 11M96821704	Nylon Cap.....	—	1	1	—	1
D6	K 10S 95024532	Connector 1490P-1(4P).....	—	1	1	—	1
D7	K 11M96821706	Nylon Cap.....	1	1	1	1	1
D8	K 10S 95024126	Connector 1261P-1(6P).....	1	1	1	1	1
D11	K 11M96821809	Nylon Cap.....	—	—	1	1	1
D12	K 10S 95024535	Connector 1360P(12P).....	—	—	1	1	1
D13	K 10S 95024592	Terminal 1381TL.....			a few		
D14	K 10S 95024591	Terminal 1380TL.....			a few		
D15	K 11M09022805	Adapter.....	1	1	1	1	1
D17	K 11M94981101	Hexagon Spanner No.3.....	1	1	1	1	1
D18	K 10S 46001138	Fuse 8A.....	1	1	1	1	1
D19	K 10S 90810616	Wood Screw 4.1×16.....	2	2	2	2	2
D20	K 10S 91304004	Washer 4.....	2	2	2	2	2
D22	K 11M40740080	Stopper Plate.....	1	1	1	1	1
D23	K11MLAK12000	Detector XC-K-12.....	1	1	1	1	1



MITSUBISHI ELECTRIC CORPORATION

HEAD OFFICE : MITSUBISHI DENKI BLDG MARUNOUCHI TOKYO 100 TELEX : J24532 CABLE MELCO TOKYO
NAGOYA WORKS : 1-14, YADA-MINAMI 5, HIGASHI-KU, NAGOYA, JAPAN
