

JUKI

1-NEEDLE, 3-THREAD OVERLOCK SEWING MACHINE
OVERLOCK-NAHMASCHINE MIT 1 NADELN, 3 FADEN
SURJETEUSE-RASEUSE 1 AIGUILLES, 3 FILS

MO-613V

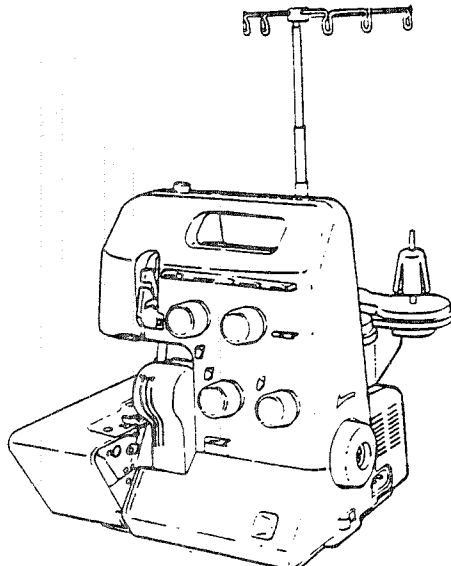
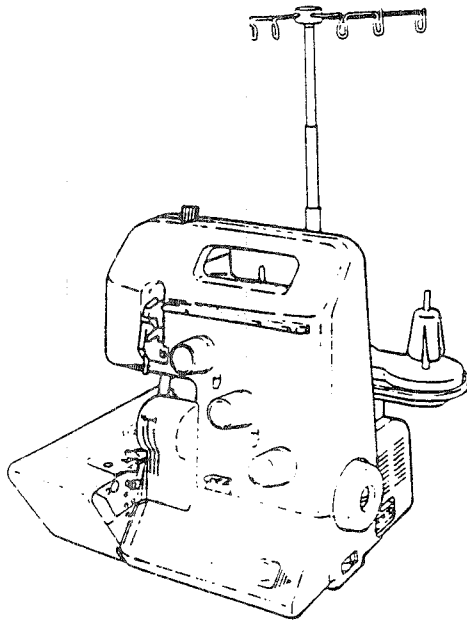
2-NEEDLE, 4-THREAD OVERLOCK SEWING MACHINE
OVERLOCK-NAHMASCHINE MIT 2 NADELN, 4 FADEN
SURJETEUSE-RASEUSE 2 AIGUILLES, 4 FILS

MO-634V/634DEV

Parts list

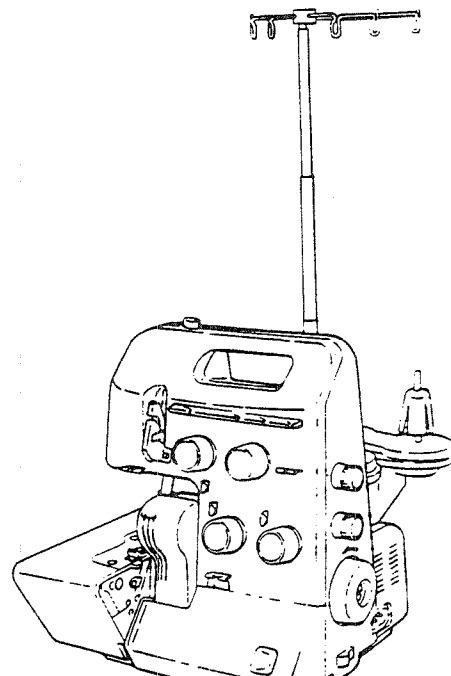
Teilekatalog

Catalogue de pièces détachées

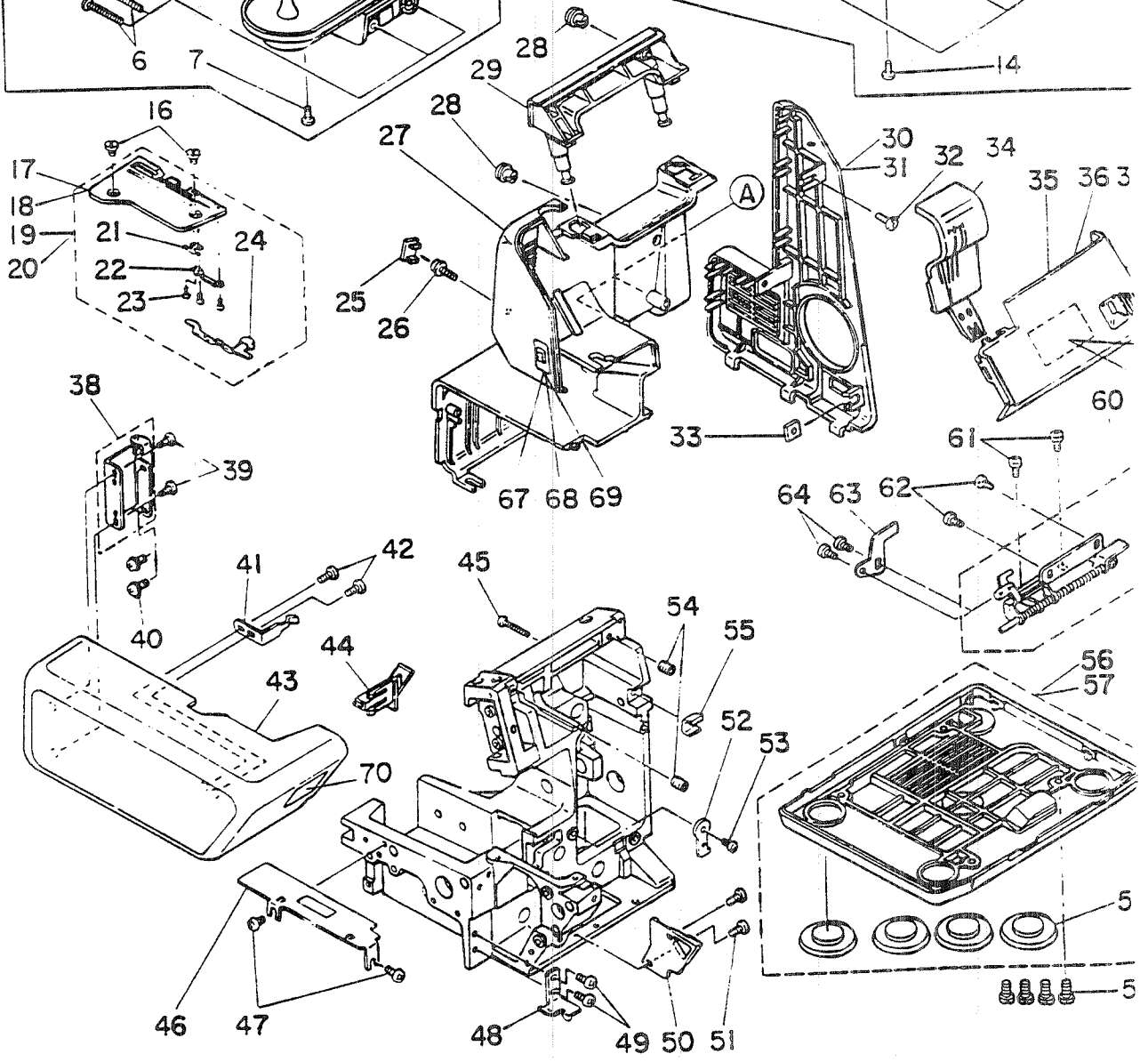
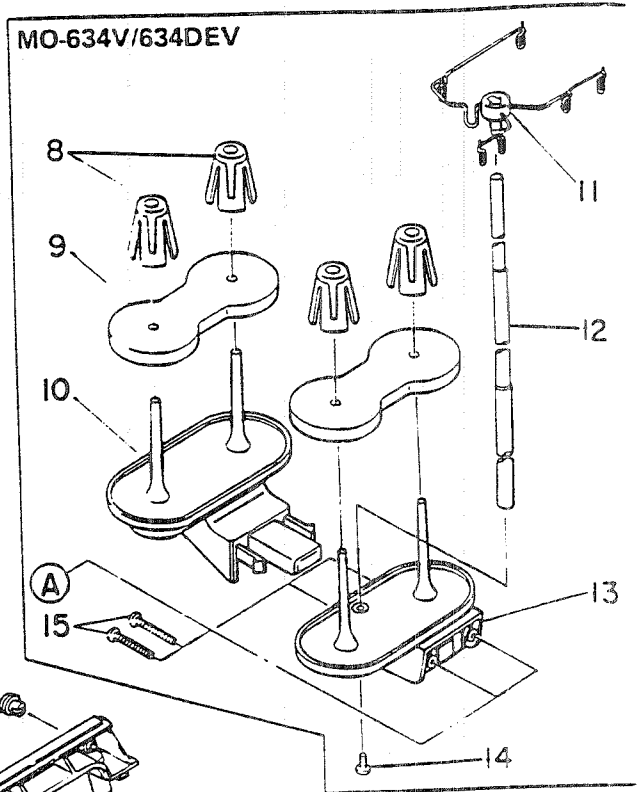
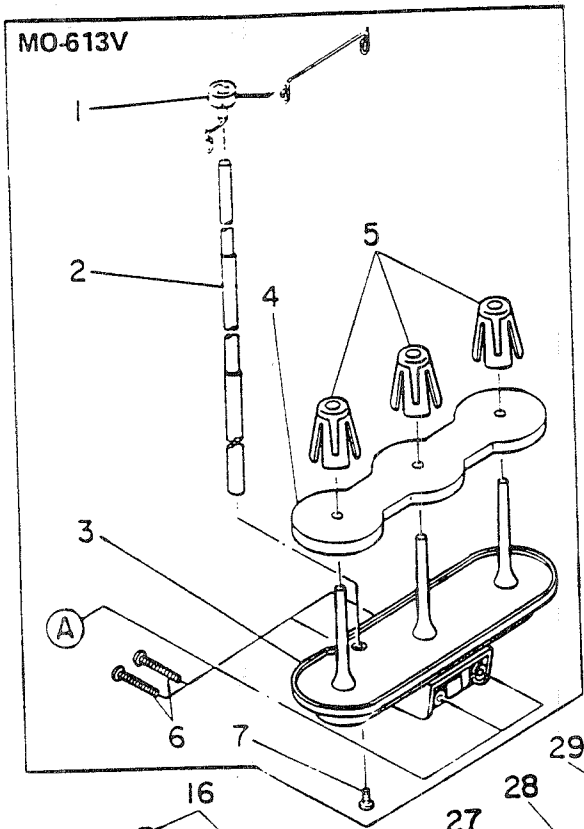


CONTENTS

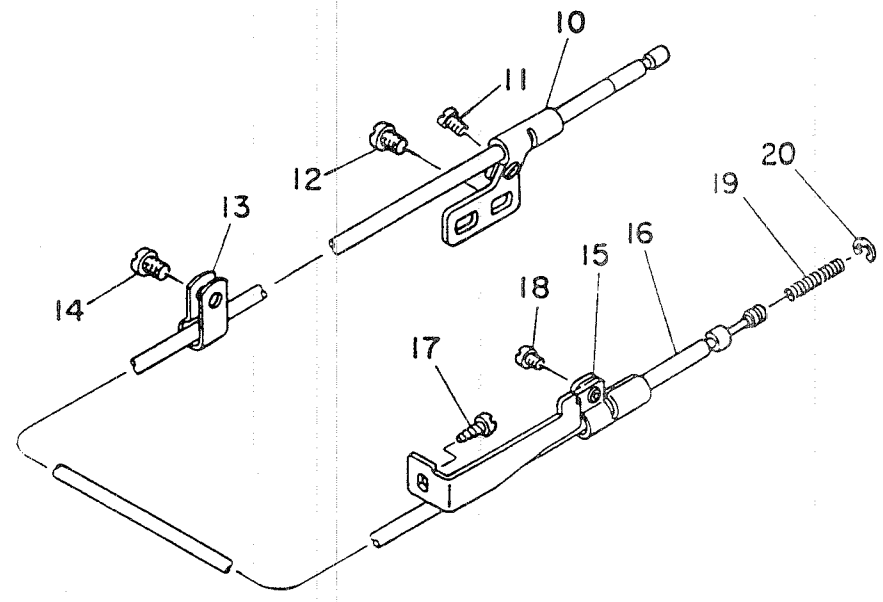
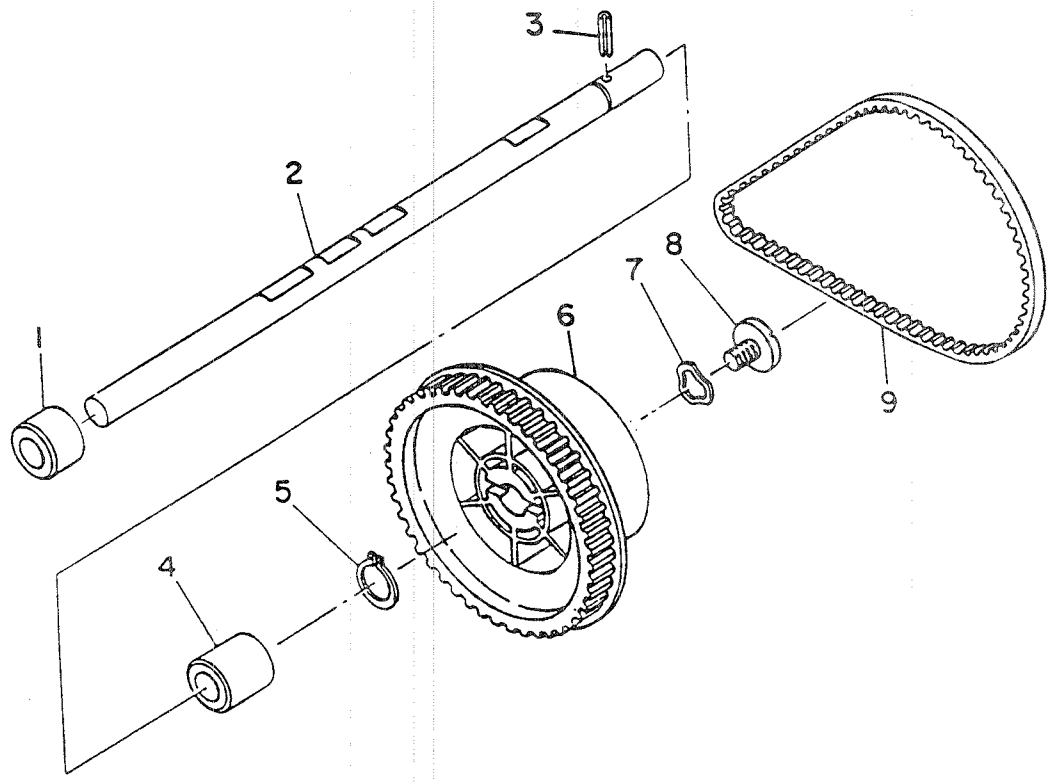
| | |
|--|--------|
| • FRAME COMPONENTS | 1, 2 |
| • MAIN SHAFT | 3, 4 |
| • NEEDLE BAR & PRESSER FOOT COMPONENTS | 5, 6 |
| • FEED MECHANISM COMPONENTS (613V/634V) | 7, 8 |
| • FEED MECHANISM COMPONENTS (634DEV) | 9, 10 |
| • LOOPER COMPONENTS | 11, 12 |
| • KNIFE COMPONENTS | 13, 14 |
| • THREAD TENSION COMPONENTS | 15, 16 |
| • MOTOR COMPONENTS | 17 |
| • ACCESSORIES COMPONENTS & OPTIONAL PARTS | 18 |



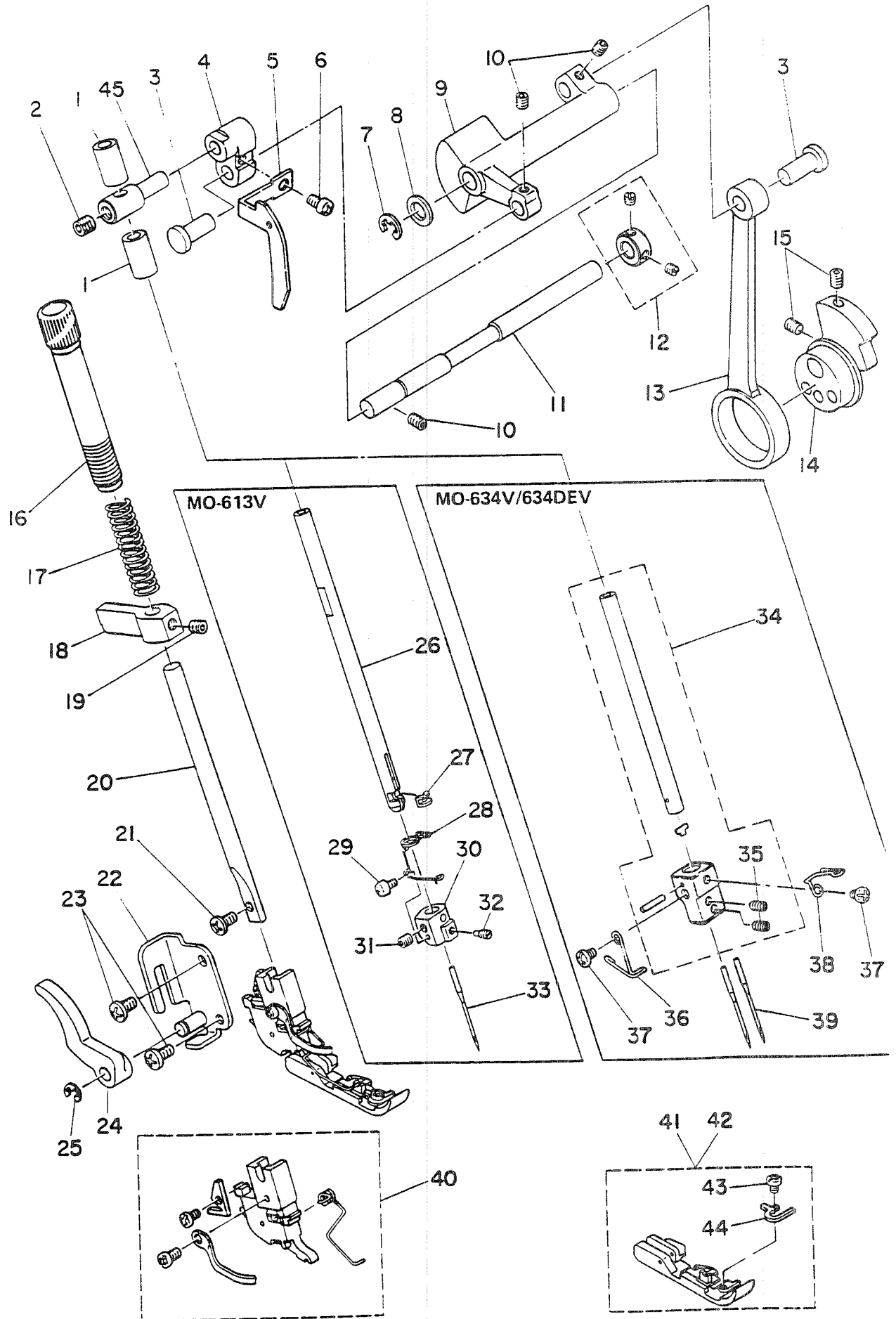
194-05604



| Ref. No. | Note | Part No. | Description | E.C | Amt. Req. |
|----------|-------------|----------------|--------------------------------------|-----|-----------|
| 1 | 613V | A1120-613-0A0 | THREAD GUIDE ASM. | | 1 |
| 2 | 613V | A1120-334-000 | SUPPORTING ROD | | 1 |
| 3 | 613V | A1118-503-000 | SPOOL HOLDER | | 1 |
| 4 | 613V | A1121-203-000 | FOAM PAD | | 1 |
| 5 | 613V | A1120-202-000 | ANTI-VIBRATION CONE | | 3 |
| 6 | 613V | SM-5043755-SC | SCREW | | 2 |
| 7 | 613V | SM-5051255-SN | SCREW | | 1 |
| 8 | 634V/634DEV | A1120-202-000 | ANTI-VIBRATION CONE | | 4 |
| 9 | 634V/634DEV | A1121-202-000 | FOAM PAD | | 2 |
| 10 | 634V/634DEV | A1119-634-000 | SPOOL HOLDER (B) | | 1 |
| 11 | 634V/634DEV | A1120-634-0A0 | THREAD GUIDE ASM. | | 1 |
| 12 | 634V/634DEV | A1120-334-000 | SUPPORTING ROD | | 1 |
| 13 | 634V/634DEV | A1118-502-000 | SPOOL HOLDER (A) | | 1 |
| 14 | 634V/634DEV | SM-5051255-SN | SCREW | | 1 |
| 15 | 634V/634DEV | SM-5043755-SC | SCREW | | 2 |
| 16 | | A1138-335-000 | SCREW | | 2 |
| 17 | 613V | A1115-503-0A0 | THROAT PLATE ASM. | | 1 |
| 18 | 634V/634DEV | A1115-334-0A0 | THROAT PLATE ASM. | | 1 |
| 19 | 613V | A1115-503-0B0 | THROAT PLATE MAS. ASM. | | 1 |
| 20 | 634V/634DEV | A1115-334-0B0 | THROAT PLATE MAS. ASM. | | 1 |
| 21 | | A1131-203-000 | LATCH PRESSER SPRING | | 1 |
| 22 | | A1132-334-000 | THREAD SLIP GUIDE | | 1 |
| 23 | | SM-4020351-SC | SCREW | | 3 |
| 24 | | A1136-334-0AS | THROAT PLATE THREAD SLIP ASM. | | 1 |
| 25 | | A1146-503-000 | COVER CAP (B) | | 1 |
| 26 | | SL-5031031-SN | SCREW | | 1 |
| 27 | | A1106-634-000 | REAR COVER (WITH REFLECTING SEAL) | | 1 |
| 28 | | A1124-503-000 | COVER CAP (A) | | 2 |
| 29 | | A1145-634-000 | HANDLE | | 1 |
| 30 | 613V/634V | A1103-634-000 | SIDE COVER | | 1 |
| 31 | 634DEV | A1103-634-E00 | SIDE COVER | | 1 |
| 32 | | SM-5040855-SN | SCREW | | 1 |
| 33 | | A3151-535-000 | FRONT COVER NUT | | 1 |
| 34 | | A1152-634-000A | CHIP GUARD COVER | | 1 |
| 35 | 613V | A1151-613-00V | LOOPER COVER | | 1 |
| 36 | 634V | A1151-634-00V | LOOPER COVER | | 1 |
| 37 | 634DEV | A1151-634-E0V | LOOPER COVER | | 1 |
| 38 | | A1161-535-0A0 | CLOTH PLATE HINGE ASM. | | 1 |
| 39 | | ST-5041051-SN | TAPING SCREW | | 2 |
| 40 | | SL-5040865-SN | SCREW | | 2 |
| 41 | | A1160-634-000 | CLOTH PLATE OPENING SPRING | | 1 |
| 42 | | ST-5041051-SN | TAPING SCREW | | 2 |
| 43 | | A1104-634-000 | CLOTH PLATE | | 1 |
| 44 | | A1104-634-A00 | CLOTH PLATE COVER | | 1 |
| 45 | | SM-5032555-SE | SCREW | | 1 |
| 46 | | A1135-535-000 | UPPER COVER | | 1 |
| 47 | | SM-5040855-SN | SCREW | | 2 |
| 48 | | A1164-535-000 | CLOTH PLATE PRESSER PLATE | | 1 |
| 49 | | SM-5040855-SN | SCREW | | 2 |
| 50 | | A1156-634-000 | LOOPER COVER GUIDE | | 1 |
| 51 | | SM-4040655-SN | SCREW | | 2 |
| 52 | | A3161-634-000 | FRONT COVER INSTALLATION PLATE | | 1 |
| 53 | | SM-4040655-SN | SCREW | | 1 |
| 54 | | SM-8050842-TP | SCREW | | 2 |
| 55 | | A3150-535-000 | FRONT COVER ASM. PLATE | | 1 |
| 56 | | A1102-634-0A0 | BASE PLATE ASM. | | 1 |
| 57 | 613V/634V | A1102-634-AA0 | BASE PLATE ASM. (SAUDI ARABIA) | | 1 |
| 58 | | A1123-535-000 | SUCTION FEET | | 4 |
| 59 | | SM-5051255-SN | SCREW | | 4 |
| 60 | | A1153-634-0A0 | LOOPER COVER HINGE ASM. | | 1 |
| 61 | | SM-5040855-SN | SCREW | | 2 |
| 62 | | ST-5041051-SN | TAPING SCREW | | 2 |
| 63 | | A1169-634-000 | CHIP GUARD COVER PLATE | | 1 |
| 64 | | SM-4850455-SN | SCREW | | 2 |
| 65 | 613V | A1190-613-000 | THREADING CHART | | 1 |
| 66 | 634V/634DEV | A1190-634-000 | THREADING CHART | | 1 |
| 67 | | A3123-634-A00 | NEEDLE FIXATION LABEL (USA/CANADA) | | 1 |
| 68 | | A3123-634-B00 | NEEDLE FIXATION LABEL (EUROPE) | | 1 |
| 69 | 613V/634V | A3123-634-C00 | NEEDLE FIXATION LABEL (SAUDI ARABIA) | | 1 |
| 70 | 613V | A1171-634-000 | SAFETY SWITCH SEAL | | 1 |

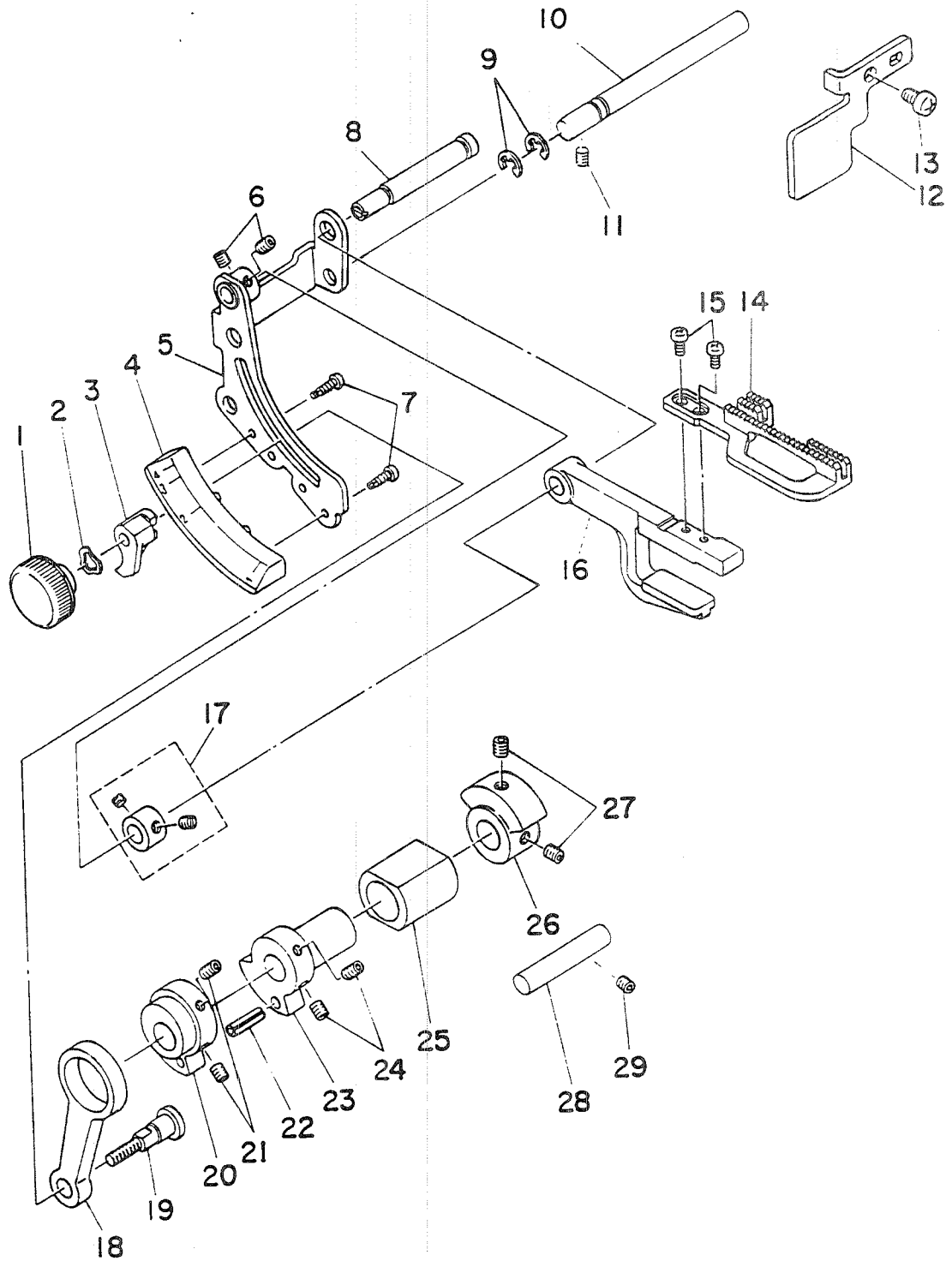


| Ref. No. | Note | Part No. | Description | E.C | Amt. Req. |
|----------|------|----------------|----------------------------|-----|-----------|
| 1 | | A1206-335-000 | MAIN SHAFT BUSHING (FRONT) | | 1 |
| 2 | | A1201-535-00A | MAIN SHAFT | | 1 |
| 3 | | PS-0400222-KH | PIN | | 1 |
| 4 | | A1206-202-000 | MAIN SHAFT BUSHING (REAR) | | 1 |
| 5 | | A1206-102-000 | C-RING | | 1 |
| 6 | | A1202-634-000A | HANDWHEEL | | 1 |
| 7 | | A1206-535-000 | HANDWHEEL WASHER | | 1 |
| 8 | | A1230-500-000A | HANDWHEEL SETSCREW | | 1 |
| 9 | | A1205-634-000 | TIMING BELT | | 1 |
| 10 | | A6021-535-000 | WIRE HOLDER (B) | | 1 |
| 11 | | SM-4030455-SN | SCREW | | 1 |
| 12 | | SM-5040855-SN | SCREW | | 1 |
| 13 | | HX-0015000-0B | CORD PRESSER | | 1 |
| 14 | | SM-4040655-SN | SCREW | | 1 |
| 15 | | A6020-535-000 | WIRE HOLDER (A) | | 1 |
| 16 | | A6026-335-EAO | WIRE ASM. | | 1 |
| 17 | | ST-5030851-SN | TAPING SCREW | | 1 |
| 18 | | SM-4030455-SN | SCREW | | 1 |
| 19 | | A6033-535-000 | SPRING | | 1 |
| 20 | | RE-0200000-K0 | E-RING | | 1 |



| Ref. No. | Note | Part No. | Description | E.C | Amt. Req. |
|----------|-------------|----------------|------------------------------|-----|-----------|
| 1 | | A1407-102-000 | NEEDLE BAR BUSHING | | 2 |
| 2 | | SM-8060602-TP | SCREW | | 1 |
| 3 | | A1403-102-000 | CONNECTING PIN | | 2 |
| 4 | | A1412-535-000 | NEEDLE BAR LINK | | 1 |
| 5 | | A1413-613-000 | NEEDLE THREAD TAKE-UP | | 1 |
| 6 | | SM-4040655-SN | SCREW | | 1 |
| 7 | | RE-0600000-K0 | E-RING | | 1 |
| 8 | | WP-0820516-SP | WASHER | | 1 |
| 9 | | A1402-535-000 | NEEDLE BAR CRANK | | 1 |
| 10 | | SM-8040402-TP | SCREW | | 3 |
| 11 | | A1404-535-000 | NEEDLE BAR DRIVING SHAFT | | 1 |
| 12 | | A1414-502-0A0 | THRUST COLLAR ASM. | | 1 |
| 13 | | A1403-335-000 | NEEDLE BAR CRANK ROD | | 1 |
| 14 | | A1401-535-000A | NEEDLE BAR DRIVING CAM | | 1 |
| 15 | | SM-8050602-TP | SCREW | | 2 |
| 16 | | A1503-634-000 | PRESSER FOOT ADJ. SCREW | | 1 |
| 17 | | A1501-535-000 | PRESSER SPRING | | 1 |
| 18 | | A1502-535-000 | PRESSER BAR GUIDE BRACKET | | 1 |
| 19 | | SM-8050402-TP | SCREW | | 1 |
| 20 | | A1507-535-000 | PRESSER BAR | | 1 |
| 21 | | SM-5040855-SN | SCREW | | 1 |
| 22 | | A1504-535-0A0 | LIFTING LEVER SET PLATE ASM. | | 1 |
| 23 | | SM-5040855-SN | SCREW | | 2 |
| 24 | | A1506-503-000 | LIFTING LEVER | | 1 |
| 25 | | RE-0500000-K0 | E-RING | | 1 |
| 26 | 613V | A1406-503-0A0 | NEEDLE BAR | | 1 |
| 27 | 613V | A1415-335-000 | NEEDLE GUIDE PLATE | | 1 |
| 28 | 613V | A1405-513-000 | NEEDLE BAR THREAD GUIDE | | 1 |
| 29 | 613V | SM-4850455-SP | SCREW | | 1 |
| 30 | 613V | A1407-303-000 | NEEDLE CLAMP | | 1 |
| 31 | 613V | SM-8040402-TP | SCREW | | 1 |
| 32 | 613V | A1409-303-000 | NEEDLE SETSCREW | | 1 |
| 33 | 613V | MHA-100B1100 | NEEDLE (HAX1) | | 1 |
| 34 | 634V/634DEV | A1406-634-0A0 | NEEDLE BAR ASM. | | 1 |
| 35 | 634V/634DEV | A1416-334-000 | NEEDLE SETSCREW | | 2 |
| 36 | 634V/634DEV | A1410-634-000 | NEEDLE BAR THREAD GUIDE (B) | | 1 |
| 37 | 634V/634DEV | SM-4030455-SN | SCREW | | 2 |
| 38 | 634V/634DEV | A1409-634-000 | NEEDLE BAR THREAD GUIDE (A) | | 1 |
| 39 | 634V/634DEV | MHA-100B1-100 | NEEDLE (HAX1) | | 2 |
| 40 | | A1514-535-0C0 | PRESSER FOOT SHANK ASM. | | 1 |
| 41 | 613V | A1501-613-0B0 | PRESSER FOOT | | 1 |
| 42 | 634V/634DEV | A1501-634-0B0 | PRESSER FOOT | | 1 |
| 43 | | SM-4030301-SC | SCREW | | 1 |
| 44 | | A1550-634-000 | TAPE GUIDE PLATE | | 1 |
| 45 | | A1411-335-000 | NEEDLE BAR GUIDE BRACKET | | 1 |

MO-613V/634V

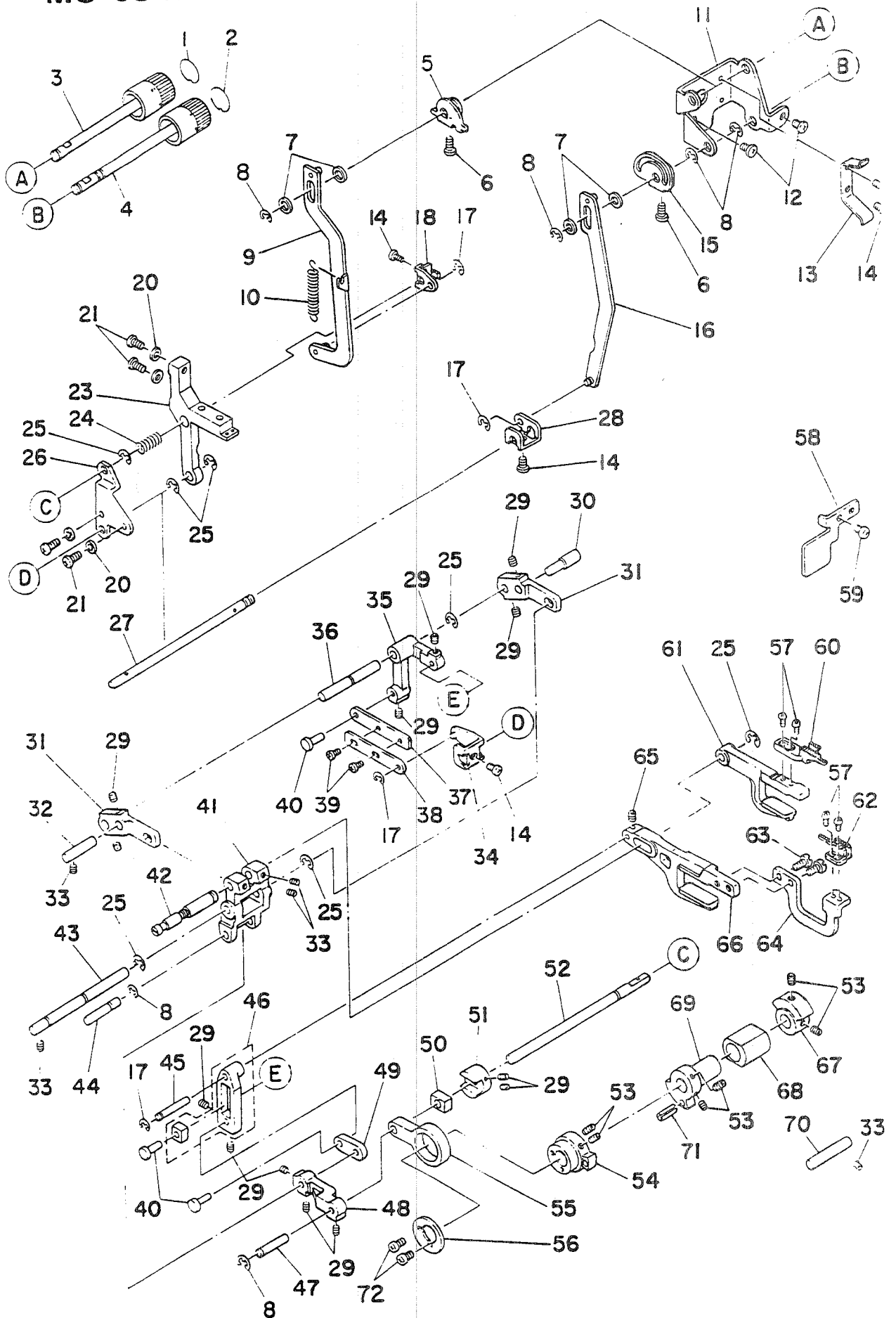


| Ref. No. | Note | Part No. | Description | E.C | Amt. Req. |
|----------|------|----------------|------------------------------|-----|-----------|
| 1 | | A1650-534-000 | FEED ADJUSTING KNOB | | 1 |
| 2 | | WZ-0430200-KP | WASHER | | 1 |
| 3 | | A1652-535-000 | FEED ADJUSTING POINTER | | 1 |
| 4 | | A1628-535-000 | FEED ADJUSTING SCALE | | 1 |
| 5 | | A1623-535-0A0 | FEED BASE ARM | | 1 |
| 6 | | SM-8040302-TP | SCREW | | 2 |
| 7 | | ST-4861051-SN | TAPING SCREW | | 2 |
| 8 | | A1626-535-000 | FEED BASE SUPPORTING SHAFT | | 1 |
| 9 | | RE-0500000-K0 | E-RING | | 2 |
| 10 | | A1622-535-000 | HORIZONTAL FEED SHAFT | | 1 |
| 11 | | SM-8040402-TP | SCREW | | 1 |
| 12 | | A1613-535-000 | FEED BASE GUIDE | | 1 |
| 13 | | SM-4040655-SN | SCREW | | 1 |
| 14 | | A1627-503-000 | FEED DOG | | 1 |
| 15 | | SM-4030655-SP | SCREW | | 2 |
| 16 | | A1625-535-000 | FEED BASE ARM | | 1 |
| 17 | | A1605-550-0A0A | THRUST COLLAR ASM. | | 1 |
| 18 | | A1616-535-000 | HORIZONTAL FEED LINK | | 1 |
| 19 | | A1651-535-000 | FEED ADJUSTING ROD | | 1 |
| 20 | | A1617-535-000 | HORIZONTAL FEED CAM | | 1 |
| 21 | | SM-8040602-TP | SCREW | | 2 |
| 22 | | PS-0300142-KH | PIN | | 1 |
| 23 | | A1629-535-000 | VERTICAL FEED CAM | | 1 |
| 24 | | SM-8040602-TP | SCREW | | 2 |
| 25 | | A1630-535-000 | VERTICAL FEED ADS. | | 1 |
| 26 | | A1207-503-000 | VERTICAL FEED BALANCE WEIGHT | | 1 |
| 27 | | SM-8040602-TP | SCREW | | 2 |
| 28 | | A1612-535-000 | FEED BASE GUIDE ROD | | 1 |
| 29 | | SM-8040402-TP | SCREW | | 1 |

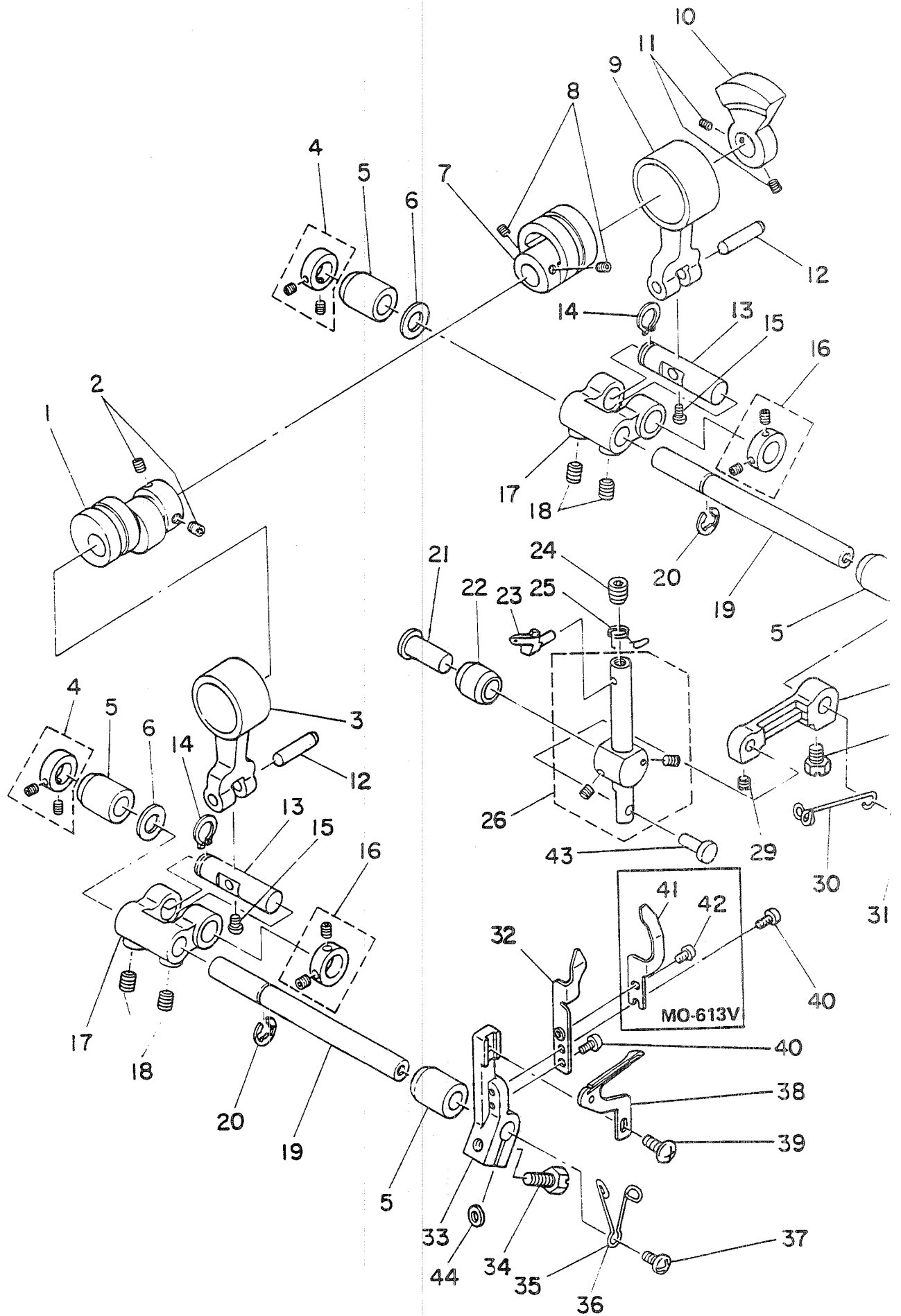
7

3

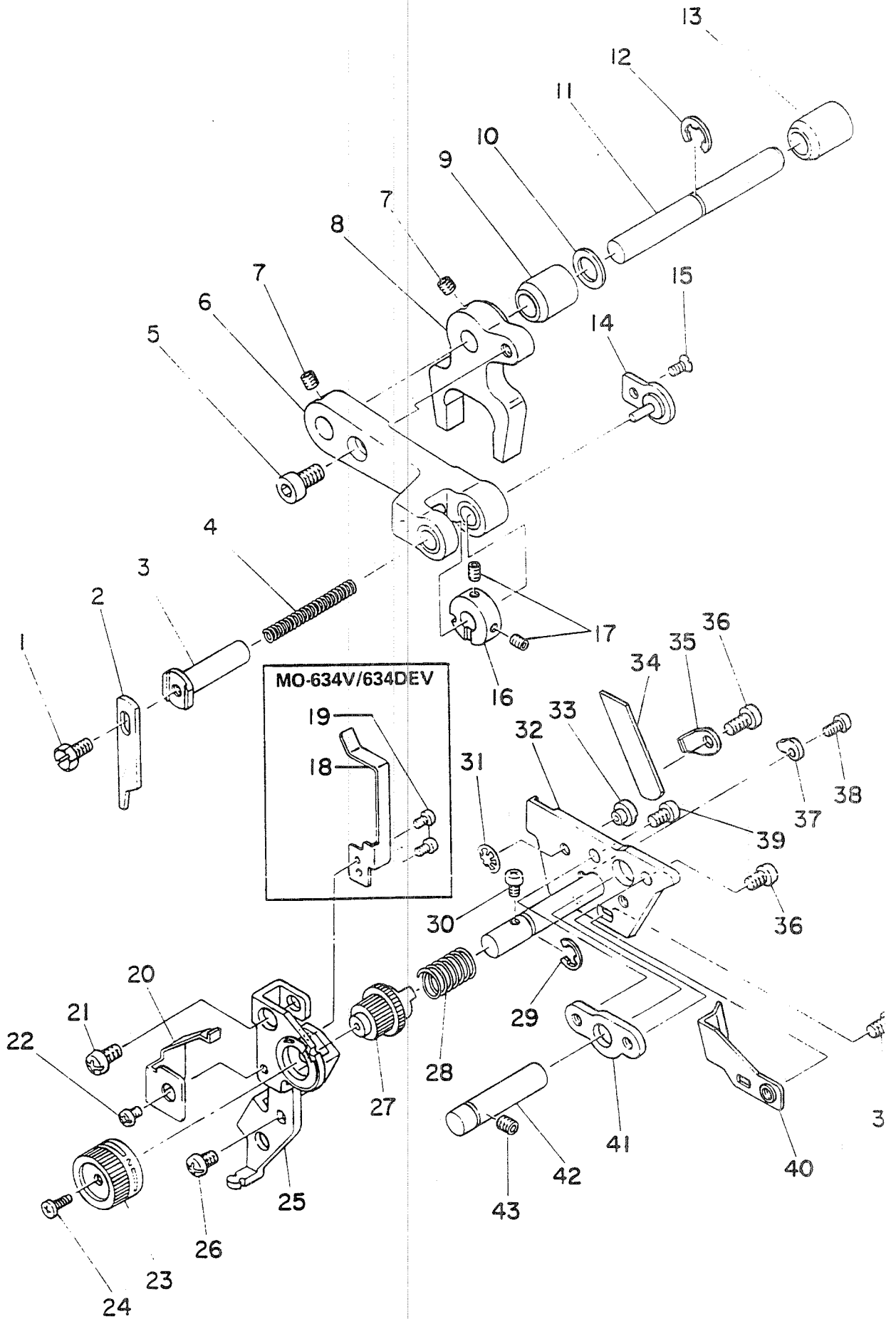
MO-634DEV



| Ref. No. | Note | Part No. | Description | E.C | Amt. Req. |
|----------|------|---------------|--------------------------------|-----|-----------|
| 1 | | A1603-634-E00 | LABEL (MAIN FEED) | | 1 |
| 2 | | A1604-634-E00 | LABEL (DIF FEED) | | 1 |
| 3 | | A1601-634-E00 | MAIN FEED ADJUSTING KNOB | | 1 |
| 4 | | A1602-634-E00 | DIF. FEED ADJUSTING KNOB | | 1 |
| 5 | | A1613-534-D00 | MAIN FEED ADJUSTING CAM | | 1 |
| 6 | | SM-5030855-SN | SCREW | | 2 |
| 7 | | A1614-534-D00 | COLLAR | | 4 |
| 8 | | RE-0400000-KR | E SHAPED RING | | 6 |
| 9 | | A1619-534-DA0 | MAIN FEED ADJUSTING LINK ASM. | | 1 |
| 10 | | A1625-534-D00 | SPRING | | 1 |
| 11 | | A1610-534-D00 | KNOB SETTING PLATE | | 1 |
| 12 | | SM-5040655-SN | SCREW | | 2 |
| 13 | | A1611-534-D00 | SHAFT PRESSING PLATE | | 1 |
| 14 | | SM-5030655-SN | SCREW | | 5 |
| 15 | | A1615-534-D00 | DIF. FEED ADJUSTING CAM | | 1 |
| 16 | | A1620-534-DA0 | DIF. FEED ADJUSTING LINK ASM. | | 1 |
| 17 | | RE-0300000-KR | E SHAPED RING | | 4 |
| 18 | | A1630-534-D00 | MAIN FEED ADJUSTING ARM | | 1 |
| 20 | | A1636-534-D00 | WASHER | | 2 |
| 21 | | SM-5041055-SN | SCREW | | 4 |
| 23 | | A1211-534-D00 | MAIN SHAFT HOLDER BRACKET | | 1 |
| 24 | | A1633-534-D00 | SPRING | | 1 |
| 25 | | RE-0500000-KR | E SHAPED RING | | 7 |
| 26 | | A1635-534-D00 | MAIN SHAFT HOLDER | | 1 |
| 27 | | A1662-534-D00 | SHAFT | | 1 |
| 28 | | A1655-534-D00 | DIF. FEED ADJUSTING ARM (C) | | 1 |
| 29 | | SM-8030402-TP | SCREW | | 13 |
| 30 | | A1664-534-D00 | DIF. FEED SHAFT (B) | | 1 |
| 31 | | A1660-534-D00 | DIF. FEED SHAFT HOLDER | | 2 |
| 32 | | A1663-534-D00 | DIF. FEED SHAFT (A) | | 1 |
| 33 | | SM-8040402-TP | SCREW | | 4 |
| 34 | | A1657-534-DA0 | DIF. FEED ADJUSTING ARM ASM. | | 1 |
| 35 | | A1661-534-D00 | DIF. FEED ADJUSTING ARM (A) | | 1 |
| 36 | | A1659-534-D00 | SHAFT | | 1 |
| 37 | | A1653-534-D00 | DIF. FEED ADJUSTING LINK (A-1) | | 1 |
| 38 | | A1654-534-D00 | DIF. FEED ADJUSTING LINK (A-2) | | 1 |
| 39 | | SM-5030655-SP | SCREW | | 2 |
| 40 | | A2529-335-000 | PIN | | 3 |
| 41 | | A1645-534-D00 | MAIN FEED ARM | | 1 |
| 42 | | A1646-534-D00 | BASE SUPPORTING SHAFT | | 1 |
| 43 | | A1647-534-D00 | MAIN FEED SHAFT | | 1 |
| 44 | | A1641-534-D00 | SHAFT | | 1 |
| 45 | | A1665-534-D00 | SHAFT | | 1 |
| 46 | | A1651-534-DA0 | DIF. FEED ARM ASM. | | 1 |
| 47 | | A1639-534-D00 | SHAFT | | 1 |
| 48 | | A1640-534-D00 | MAIN FEED LINK | | 1 |
| 49 | | A1650-534-D00 | DIF. FEED LINK | | 1 |
| 50 | | A1638-534-D00 | MAIN FEED SLIDING BLOCK | | 1 |
| 51 | | A1637-534-D00 | FEED REGULATOR | | 1 |
| 52 | | A1631-534-D00 | FEED REGULATING SHAFT | | 1 |
| 53 | | SM-8040602-TP | SCREW | | 4 |
| 54 | | A1617-534-D00 | MAIN FEED CAM | | 1 |
| 55 | | A1616-534-D00 | MAIN FEED ROD | | 1 |
| 56 | | A1618-534-D00 | THRUST PLATE | | 1 |
| 57 | | SM-4030655-SP | SCREW | | 4 |
| 58 | | A1613-535-000 | FEED BASE GUIDE | | 1 |
| 59 | | SM-4040655-SN | SCREW | | 1 |
| 60 | | A1627-634-D00 | MAIN FEED DOG | | 1 |
| 61 | | A1625-535-000 | FEED BASE ARM | | 1 |
| 62 | | A1642-534-D00 | DIF. FEED DOG | | 1 |
| 63 | | SM-9040700-SP | SCREW | | 2 |
| 64 | | A1648-535-000 | DIF. FEED SETTING BASE | | 1 |
| 65 | | SM-8030302-TP | SCREW | | 1 |
| 66 | | A1639-535-000 | DIF. FEED BASE ARM | | 1 |
| 67 | | A1207-503-000 | BALANCE WEIGHT | | 1 |
| 68 | | A1630-535-000 | VERTICAL FEED ADS. | | 1 |
| 69 | | A1629-535-000 | VERTICAL FEED CAM | | 1 |
| 70 | | A1612-535-000 | FEED BASE GUIDE ROD | | 1 |
| 71 | | PS-0300142-KH | SPRING PIN | | 1 |
| 72 | | A1618-534-DOA | SCREW | | 2 |

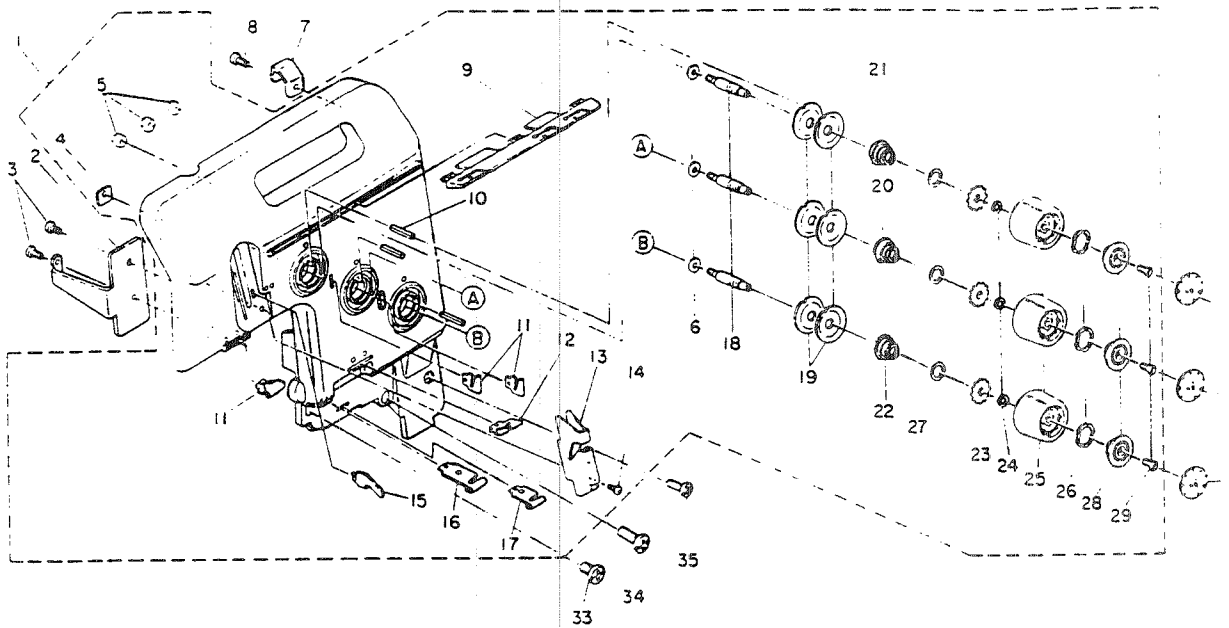


| Ref. No. | Note | Part No. | Description | E.C | Amt. Req. |
|----------|-------------|----------------|-----------------------------------|-----|-----------|
| 1 | | A2514-534-000 | LOWER LOOPER CAM | | 1 |
| 2 | | SM-8050602-TP | SCREW | | 2 |
| 3 | | A2515-534-000 | LOWER LOOPER ROD | | 1 |
| 4 | | A1414-502-0A0 | THRUST COLLAR ASM. | | 2 |
| 5 | | A2112-204-000 | BUSHING | | 4 |
| 6 | | WP-0820516-SP | WASHER | | 2 |
| 7 | | A2501-534-000 | UPPER LOOPER CAM | | 1 |
| 8 | | SM-8040402-TP | SCREW | | 2 |
| 9 | | A2502-534-000 | UPPER LOOPER ROD | | 1 |
| 10 | | A2550-534-000 | LOOPER BALANCER | | 1 |
| 11 | | SM-8040402-TP | SCREW | | 2 |
| 12 | | A2503-534-000 | LOOPER ROD SHAFT | | 2 |
| 13 | | A2504-534-000 | LOOPER DRIVING SHAFT | | 2 |
| 14 | | A2596-534-000 | LOOPER DRIVING STOPPER RING | | 2 |
| 15 | | SM-4030455-SP | SCREW | | 2 |
| 16 | | A2595-534-0A0 | LOOPER DRIVING THRUST COLLAR ASM. | | 2 |
| 17 | | A2505-534-000A | LOOPER DRIVING ARM | | 2 |
| 18 | | SM-8050602-TP | SCREW | | 4 |
| 19 | | A2521-534-000 | LOOPER SHAFT | | 2 |
| 20 | | RE-0600000-K0 | E-RING | | 2 |
| 21 | | A2531-534-000 | UPPER LOOPER GUIDE SHAFT | | 1 |
| 22 | | A1675-335-000 | BUSHING | | 1 |
| 23 | | A2512-234-000 | UPPER LOOPER | | 1 |
| 24 | | SM-8050602-TP | SCREW | | 1 |
| 25 | | A2521-513-0A0 | UPPER LOOPER THREAD GUIDE | | 1 |
| 26 | | A2530-335-0AS | UPPER LOOPER SLIDE STUD ASM. | | 1 |
| 27 | | A2510-334-000 | UPPER LOOPER OSC. ARM CONNECT | | 1 |
| 28 | | SM-9050850-SP | SCREW | | 1 |
| 29 | | SM-8040402-TP | SCREW | | 1 |
| 30 | | A2519-634-0A0 | UPPER LOOPER THREAD TAKE-UP | | 1 |
| 31 | | SM-4040655-SN | SCREW | | 1 |
| 32 | | A2536-535-000 | MOVABLE NEEDLE GUARD (BACK) | | 1 |
| 33 | | A2517-535-000 | LOWER LOOPER SUPPORT ARM | | 1 |
| 34 | | SM-9051400-SN | SCREW | | 1 |
| 35 | 613V | A2520-534-0A0 | LOWER LOOPER THREAD TAKE-UP | | 1 |
| 36 | 634V/634DEV | A2520-634-0A0 | LOWER LOOPER THREAD TAKE-UP | | 1 |
| 37 | | SM-4040655-SN | SCREW | | 1 |
| 38 | | A2526-335-00S | LOWER LOOPER | | 1 |
| 39 | | SM-5030655-SN | SCREW | | 1 |
| 40 | | SM-4030655-SP | SCREW | | 2 |
| 41 | 613V | A2535-535-000 | MOVABLE NEEDLE GUARD (FRONT) | | 1 |
| 42 | 613V | SM-4030455-SP | SCREW | | 1 |
| 43 | | A2529-335-000 | UPPER LOOPER ARM PIN | | 1 |
| 44 | | A2518-534-000 | SPACER | | 1 |



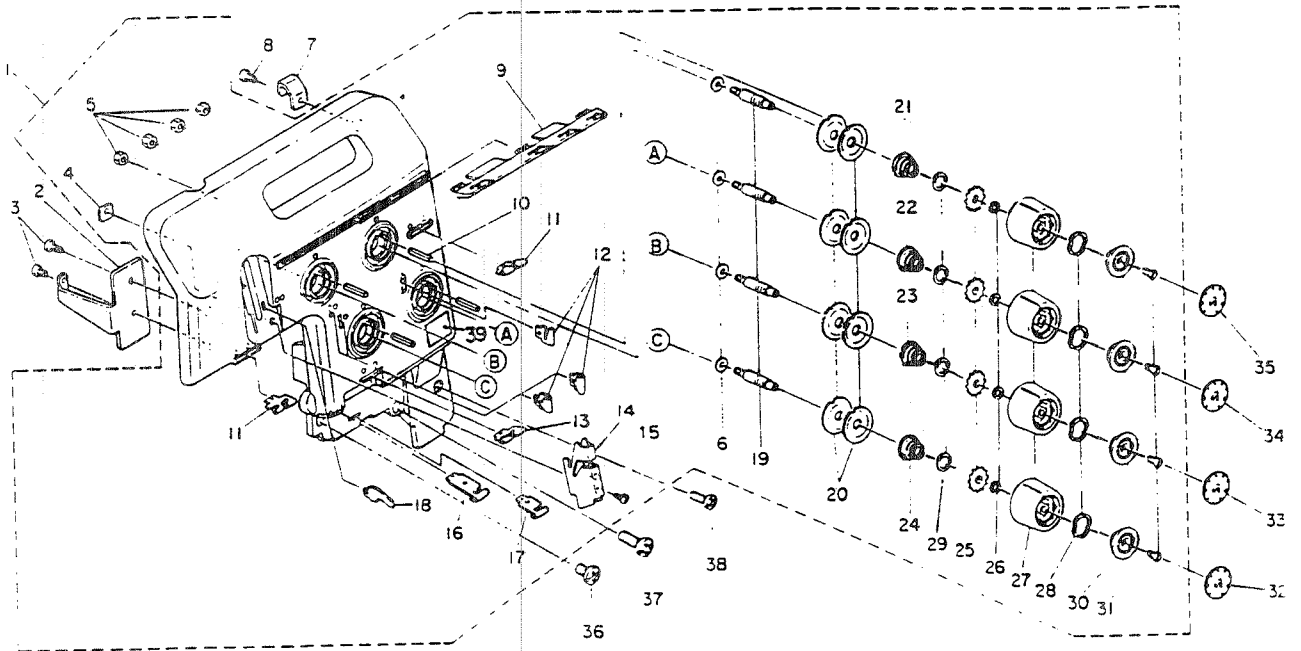
| Ref. No. | Note | Part No. | Description | E.C | Amt. Req. |
|----------|-------------|----------------|----------------------------------|-----|-----------|
| 1 | | SM-9040700-SP | SCREW | | 1 |
| 2 | | A4142-335-000 | UPPER KNIFE | | 1 |
| 3 | | A4103-535-000- | UPPER KNIFE HOLDER | | 1 |
| 4 | | A4106-535-000 | KNIFE PRESSER SPRING | | 1 |
| 5 | | SM-6051002-TP | SCREW | | 1 |
| 6 | | A4101-503-0A0A | UPPER KNIFE DRIVING ARM ASM. | | 1 |
| 7 | | SM-8040402-TP | SCREW | | 2 |
| 8 | | A4102-535-000 | UPPER KNIFE FORKED ARM | | 1 |
| 9 | | A2112-204-000 | BUSHING | | 1 |
| 10 | | WP-0820516-SP | WASHER | | 1 |
| 11 | | A4108-535-000 | UPPER KNIFE SHAFT | | 1 |
| 12 | | RE-0600000-K0 | E-RING | | 1 |
| 13 | | A2112-204-000 | BUSHING | | 1 |
| 14 | | A4107-502-0A0 | KNIFE SPRING SUPPORTING PLATE | | 1 |
| 15 | | SM-1030601-SP | SCREW | | 1 |
| 16 | | A4105-776-000 | UPPER KNIFE TURNING KNOB | | 1 |
| 17 | | SM-8030402-TP | SCREW | | 2 |
| 18 | 634V/634DEV | A2535-534-000 | NEEDLE SUPPORT | | 1 |
| 19 | 634V/634DEV | SM-4030655-SP | SCREW | | 2 |
| 20 | | A4140-535-000 | L. KNIFE ADJ. CAM PRESSER SPRING | | 1 |
| 21 | | SM-4040655-SN | SCREW | | 1 |
| 22 | | SM-4030455-SP | SCREW | | 1 |
| 23 | | A4130-535-000 | LOWER KNIFE ADJ. KNOB | | 1 |
| 24 | | ST-5030851-SN | TAPING SCREW | | 1 |
| 25 | | A4131-535-0A0 | LOWER KNIFE ADJ. SUPPORT | | 1 |
| 26 | | SM-4040655-SN | SCREW | | 1 |
| 27 | | A4128-535-000 | LOWER KNIFE ADJ. CAM | | 1 |
| 28 | | A4136-335-000 | LOWER KNIFE HOLDER SPRING | | 1 |
| 29 | | RE-0500000-K0 | E-RING | | 1 |
| 30 | | SM-4030601-SN | SCREW | | 1 |
| 31 | | A3205-555-A00 | KNIFE ANGLE ADJ. SUPPORT STOPPER | | 1 |
| 32 | | A4121-535-0A0 | LOWER KNIFE HOLDER ASM. | | 1 |
| 33 | | A4149-535-000 | LOWER KNIFE ANGLE ADJ. SUPPORT | | 1 |
| 34 | | A4145-335-000 | LOWER KNIFE | | 1 |
| 35 | | A4123-335-000 | LOWER KNIFE PRESSER PLATE | | 1 |
| 36 | | SM-4040655-SP | SCREW | | 2 |
| 37 | | A4124-335-000 | LOWER KNIFE SUPPORTING PLATE | | 1 |
| 38 | | SM-4030655-SP | SCREW | | 1 |
| 39 | | SM-4040655-SP | SCREW | | 1 |
| 40 | | A4147-535-000 | CHIP GUARD COVER STOPPER | | 1 |
| 41 | | A4139-535-000 | LOWER KNIFE HOLDER SUPPORT | | 1 |
| 42 | | A4125-502-000 | LOWER KNIFE HOLDER SHAFT | | 1 |
| 43 | | SM-8040402-TP | SCREW | | 1 |

MO-613V

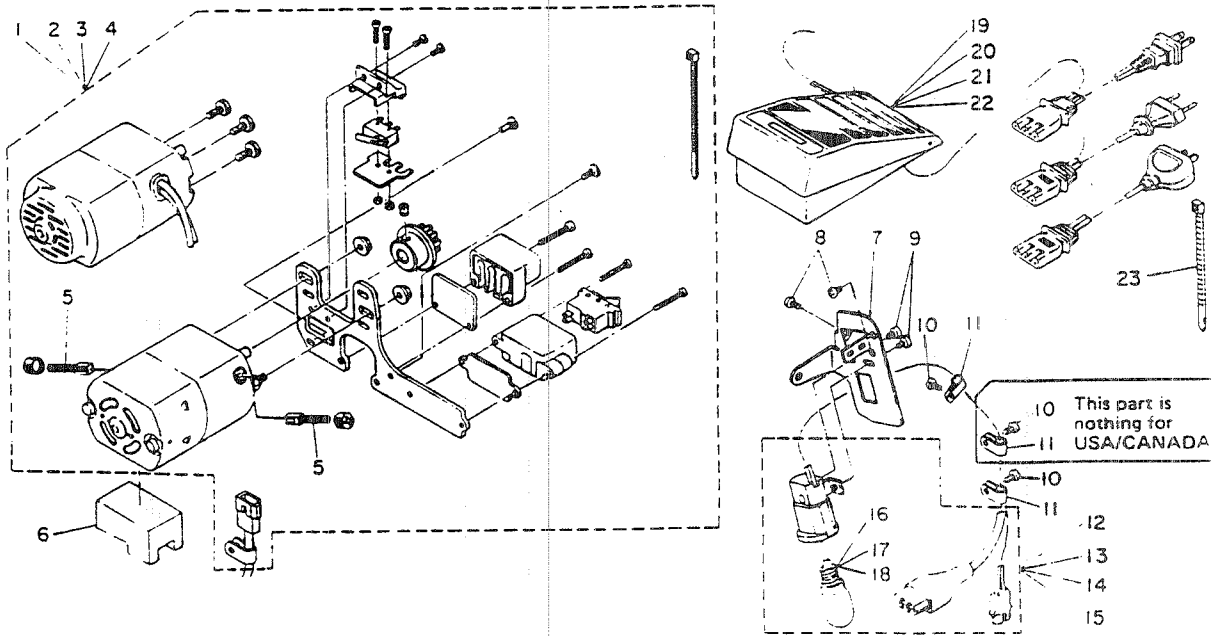


| Ref. No. | Note | Part No. | Description | E.C | Am Rec |
|----------|------|---------------|-----------------------------------|-----|--------|
| 1 | | A3101-613-0A0 | FRONT COVER ASM. | | 1 |
| 2 | | A3154-634-000 | FRONT COVER INSTALLATION HOLDER | | 1 |
| 3 | | ST-5031051-SN | TAPING SCREW | | 2 |
| 4 | | A3151-535-000 | Q-NUT | | 1 |
| 5 | | A3103-502-000 | NUT | | 3 |
| 6 | | WP-0380516-SD | WASHER | | 3 |
| 7 | | A3158-634-000 | FRONT COVER FIX PLATE (A) | | 1 |
| 8 | | ST-5031051-SN | TAPING SCREW | | 1 |
| 9 | | A3107-613-0B0 | 1 ST THREAD GUIDE | | 1 |
| 10 | | PS-0200202-KH | PIN | | 3 |
| 11 | | A3110-202-000 | THREAD GUIDE | | 3 |
| 12 | | A3157-535-000 | THREAD GUIDE (A) | | 1 |
| 13 | | A3119-503-000 | NEEDLE THREAD TAKE-UP COVER | | 1 |
| 14 | | SM-5030855-SN | SCREW | | 1 |
| 15 | | A3130-634-000 | LOCK NEEDLE THREAD GUIDE | | 1 |
| 16 | | A3157-634-0A0 | THREAD GUIDE (C) (UP. LOOPER) | | 1 |
| 17 | | A3157-634-0AA | THREAD GUIDE (D) (LOWER LOOPER) | | 1 |
| 18 | | A3102-202-000 | NEEDLE THREAD TENSION SHAFT | | 3 |
| 19 | | B3126-352-000 | TENSION DISC | | 6 |
| 20 | | A3104-334-000 | UP. LOOP. THREAD TAKE-UP SPRING | | 1 |
| 21 | | A3160-535-000 | NEEDLE THREAD TAKE-UP SPRING | | 1 |
| 22 | | A3161-535-000 | LOWER LOOP. THREAD TAKE-UP SPRING | | 1 |
| 23 | | A3134-634-000 | TENSION NUT | | 3 |
| 24 | | WP-0510516-SD | WASHER | | 3 |
| 25 | | A3104-503-000 | THREAD ADJUSTING DIAL | | 3 |
| 26 | | A3106-202-000 | WAVED WASHER | | 3 |
| 27 | | A3158-535-000 | SPACER | | 3 |
| 28 | | A3105-535-000 | DIAL PRESSER PLATE | | 3 |
| 29 | | A3109-534-000 | SCREW | | 3 |
| 30 | | A3113-503-000 | GRADUATION SEAL (LOWER LOOPER) | | 3 |
| 31 | | A3112-503-000 | GRADUATION SEAL (UPPER LOOPER) | | 3 |
| 32 | | A3111-613-000 | GRADUATION SEAL (NEEDLE THREAD) | | 3 |
| 33 | | SM-5040655-SN | SCREW | | 3 |
| 34 | | SM-5041055-SN | SCREW | | 3 |
| 35 | | SM-5030855-SN | SCREW | | 3 |

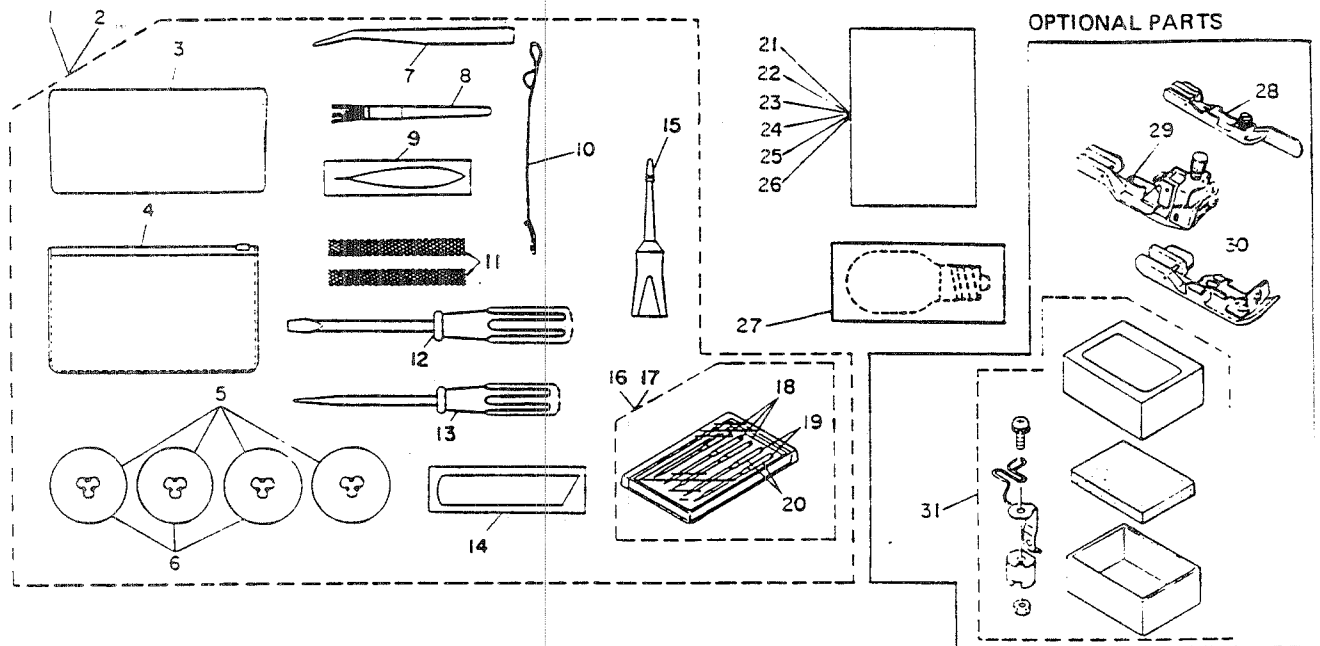
MO-634V/634DEV



| Ref. No. | Note | Part No. | Description | E.C | Amt. Req. |
|----------|-------------|---------------|-------------------------------------|-----|-----------|
| 1 | | A3101-634-0A0 | FRONT COVER ASM. | | 1 |
| 2 | | A3154-634-000 | FRONT COVER INSTALLATION HOLDER | | 1 |
| 3 | | ST-5031051-SN | TAPING SCREW | | 2 |
| 4 | | A3151-535-000 | Q-NUT | | 1 |
| 5 | | A3103-502-000 | NUT | | 4 |
| 6 | | WP-0380516-SD | WASHER | | 4 |
| 7 | | A3158-634-000 | FRONT COVER FIX PLATE (A) | | 1 |
| 8 | | ST-5031051-SN | TAPING SCREW | | 1 |
| 9 | | A3107-634-0B0 | 1 ST THREAD GUIDE | | 1 |
| 10 | | PS-0200202-KH | PIN | | 4 |
| 11 | | A3118-204-000 | NEEDLE THREAD GUIDE | | 2 |
| 12 | | A3110-202-000 | THREAD GUIDE (B) | | 3 |
| 13 | | A3157-535-000 | THREAD GUIDE (A) | | 1 |
| 14 | | A3119-634-0A0 | NEEDLE THREAD TAKE-UP COVER | | 1 |
| 15 | | SM-5030855-SN | SCREW | | 1 |
| 16 | | A3157-634-0A0 | THREAD GUIDE (C) (UPPER LOOPER) | | 1 |
| 17 | | A3157-634-0AA | THREAD GUIDE (D) (LOWER LOOPER) | | 1 |
| 18 | | A3130-634-000 | NEEDLE THREAD GUIDE PLATE | | 1 |
| 19 | | A3102-202-000 | NEEDLE THREAD TENSION SHAFT | | 4 |
| 20 | | B3126-352-000 | TENSION DISC | | 8 |
| 21 | | A3108-334-000 | RIGHT NEEDLE THREAD TAKE-UP SPRING | | 1 |
| 22 | | A3161-535-000 | LOWER LOOPER THREAD TAKE-UP SPRING | | 1 |
| 23 | | A3508-104-000 | LEFT NEEDLE THRAEAD TAKE-UP SPRING | | 1 |
| 24 | | A3104-334-000 | UP. LOOP. THREAD TAKE-UP SPRING | | 1 |
| 25 | | A3134-634-000 | TENSION NUT | | 4 |
| 26 | | WP-0510516-SD | WASHER | | 4 |
| 27 | | A3104-503-000 | THREAD ADJUSTING DIAL | | 4 |
| 28 | | A3106-202-000 | WAVED WASHER | | 4 |
| 29 | | A3158-535-000 | SPACER | | 4 |
| 30 | | A3105-535-000 | DIAL PRESSER PLATE | | 4 |
| 31 | | A3109-534-000 | SCREW | | 4 |
| 32 | | A3112-634-000 | GRADUATION SEAL (UPPER LOOPER) | | 1 |
| 33 | | A3114-634-000 | GRADUATION SEAL (LEFT-HAND NEEDLE) | | 1 |
| 34 | | A3113-634-000 | GRADUATION SEAL (LOWER LOOPER) | | 1 |
| 35 | | A3111-634-000 | GRADUATION SEAL (RIGHT-HAND NEEDLE) | | 1 |
| 36 | | SM-5040655-SN | SCREW | | 1 |
| 37 | | SM-5041055-SN | SCREW | | 1 |
| 38 | | SM-5030855-SN | SCREW | | 1 |
| 39 | 634V/634DEV | A1171-634-000 | SAFETY SWITCH SEAL | | 1 |



| Ref. No. | Note | Part No. | Description | E.C | Am Re |
|----------|-----------|----------------|---------------------------------|-----|----------|
| 1 | 613V/634V | A6301-634-HA0 | MOTOR ASM. (SAUDI ARABIA) | | 1 |
| 2 | | A6301-634-DA0A | MOTOR ASM. (USA/CANADA) | | 1 |
| 3 | | A6301-634-FA0 | MOTOR ASM. (EUROPE) | | 1 |
| 4 | | A6301-634-GA0 | MOTOR ASM. (AUS.) | | 1 |
| 5 | | A6090-534-000 | CARBON BRUSH (USA/CANADA) | | 2 |
| 6 | | A6003-535-000 | MOTOR PROTECTOR | | 1 |
| 7 | | A6007-634-000 | LAMP HOLDER SUPPORT | | 1 |
| 8 | | SM-4040655-SN | SCREW | | 2 |
| 9 | | SM-5030555-SC | SCREW | | 2 |
| 10 | | SM-4040655-SN | SCREW | | 3 |
| 11 | | HX-0015000-0B | CORD PRESSER | | 3 |
| 12 | 613V/634V | A6006-634-0A0 | LAMP HOLDER ASM. (SAUDI ARABIA) | | 1 |
| 13 | | A6006-534-01D | LAMP HOLDER ASM. (USA/CANADA) | | 1 |
| 14 | | A6006-634-0AB | LAMP HOLDER ASM. (EUROPE) | | 1 |
| 15 | | A6006-634-0AC | LAMP HOLDER ASM. (AUS) | | 1 |
| 16 | | A6013-535-000 | LAMP (USA/CANADA) | | 1 |
| 17 | | A6013-534-C00 | LAMP (EUROPE/AUS) | | 1 |
| 18 | 613V/634V | A6007-134-E00 | LAMP (SAUDI ARABIA) | | 1 |
| 19 | 613V/634V | A6401-634-H00 | FOOT CONT. (SAUDI ARABIA) | | 1 |
| 20 | | A6401-634-DA0A | FOOT CONT. ASM. (USA/CANADA) | | 1 |
| 21 | | A6401-634-FA0A | FOOT CONT. ASM. (EUROPE) | | 1 |
| 22 | | A6401-634-GA0A | FOOT CONT. ASM. (AUS) | | 1 |
| 23 | | EA-9500B02-00 | CABLE CLIP) | | 2 |



| Ref. No. | Note | Part No. | Description | Amt. Req. |
|----------|-------------|----------------|--|-----------|
| 1 | 613V | A9121-613-0A0 | ACCESSORY BAG ASM. | 1 |
| 2 | 634V/634DEV | A9121-634-0A0 | ACCESSORY BAG ASM. | 1 |
| 3 | | A9102-634-000 | VINYL COVER | 1 |
| 4 | | A9121-503-000 | ACCESSORIES BAG WITH ZIPPER | 1 |
| 5 | 634V/634DEV | A1150-570-00A | SPOOL RETAINER | 4 |
| 6 | 613V | A1150-570-00A | SPOOL RETAINER | 3 |
| 7 | | A9109-202-000 | TWEEZERS | 1 |
| 8 | | A9105-334-000 | CLEANING BRUSH | 1 |
| 9 | | A9107-202-0AA | NEEDLE THREADER WITH PACK | 1 |
| 10 | | A9110-335-000 | LOOPER THREADER | 1 |
| 11 | | A9116-335-000 | NET | 2 |
| 12 | | A9103-102-000 | SCREW-DRIVER (MEDIUM) | 1 |
| 13 | | A9107-102-000 | SCREW-DRIVER (SMALL) | 1 |
| 14 | | A4145-534-0A0 | LOWER KNIFE WITH PACK | 1 |
| 15 | | A9104-102-0A0 | OILER FEEDER | 1 |
| 16 | 613V | A9117-503-0A0 | NEEDLE SET WITH CASE | 1 |
| 17 | 634V/634DEV | A9117-634-0A0 | NEEDLE SET WITH CASE | 1 |
| 18 | | MHA-100B1100 | NEEDLE HAx1 #11 | 3 |
| 19 | 613V | MHA-100B1400 | NEEDLE HAx1 #14 | 2 |
| 20 | 634V/634DEV | MJL-200B1100 | NEEDLE JLx2 #11 | 2 |
| 21 | 613V | A9150-613-V0A | INSTRUCTION MANUAL (ENG. SPA.) | 1 |
| 22 | 613V | A9150-613-V0B | INSTRUCTION MANUAL (ENG. FRA. GAR.) | 1 |
| 23 | 613V | A9150-613-V0C | INSTRUCTION MANUAL (CZECH. POL. HUNG.) | 1 |
| 24 | 634V/634DEV | A9150-634-EVA | INSTRUCTION MANUAL (ENG. SPA.) | 1 |
| 25 | 634V/634DEV | A9150-634-EVB | INSTRUCTION MANUAL (ENG. FRA. GER.) | 1 |
| 26 | 634V/634DEV | A9150-634-EVC | INSTRUCTION MANUAL (CZECH. POL. HUNG.) | 1 |
| 27 | 613V/634V | A6013-634-HA0 | LAMP ASM. (SAUDI ARABIA) | 1 |
| 28 | OPTION | A1523-634-0C0A | BLIND STITCH PRESSER FOOT ASM. SET | - |
| 29 | OPTION | A9113-634-0C0A | ELASTIC TAPE PRESSER FOOT ASM. SET | - |
| 30 | OPTION | A1530-334-DC0A | CORDING PRESSER FOOT ASM. SET | - |
| 31 | OPTION | A9130-335-0BS | 2/3 THREAD SELECTOR ATT. MAS. ASM. | - |

JUKI

JUKI CORPORATION

HEAD OFFICE
8-2-1, KOKURYO-CHO
CHOFU-CITY, TOKYO 182, JAPAN

BUSINESS OFFICE
1-23-3, KABUKI-CHO
SHINJUKU-KU, TOKYO 160, JAPAN

PHONE: 03(3205)8556
FAX : 03(3207)8348

