

JUKI

1-Needle Embroidering Industrial Sewing Machine

一本針本縫刺繡縫ミシン

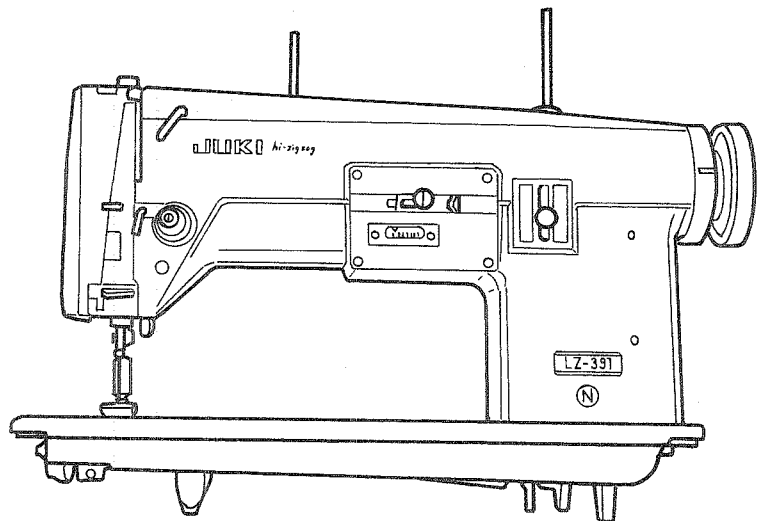
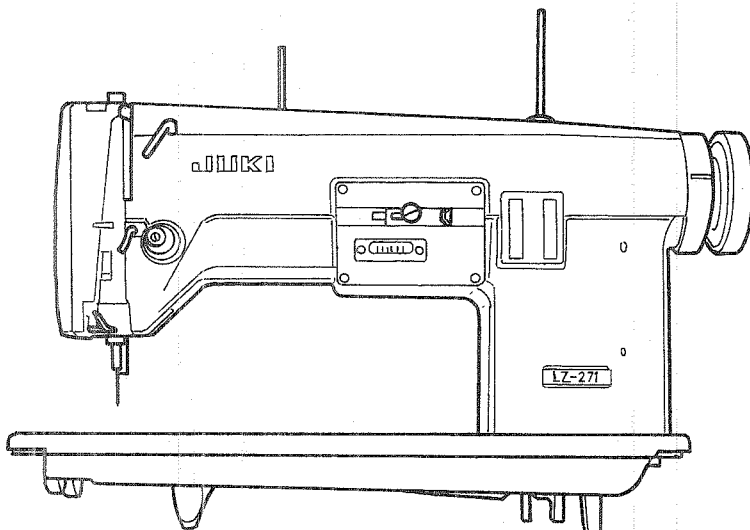
LZ-271

1-Needle Lockstitch Hi-zigzag Embroidering,
Industrial Sewing Machine

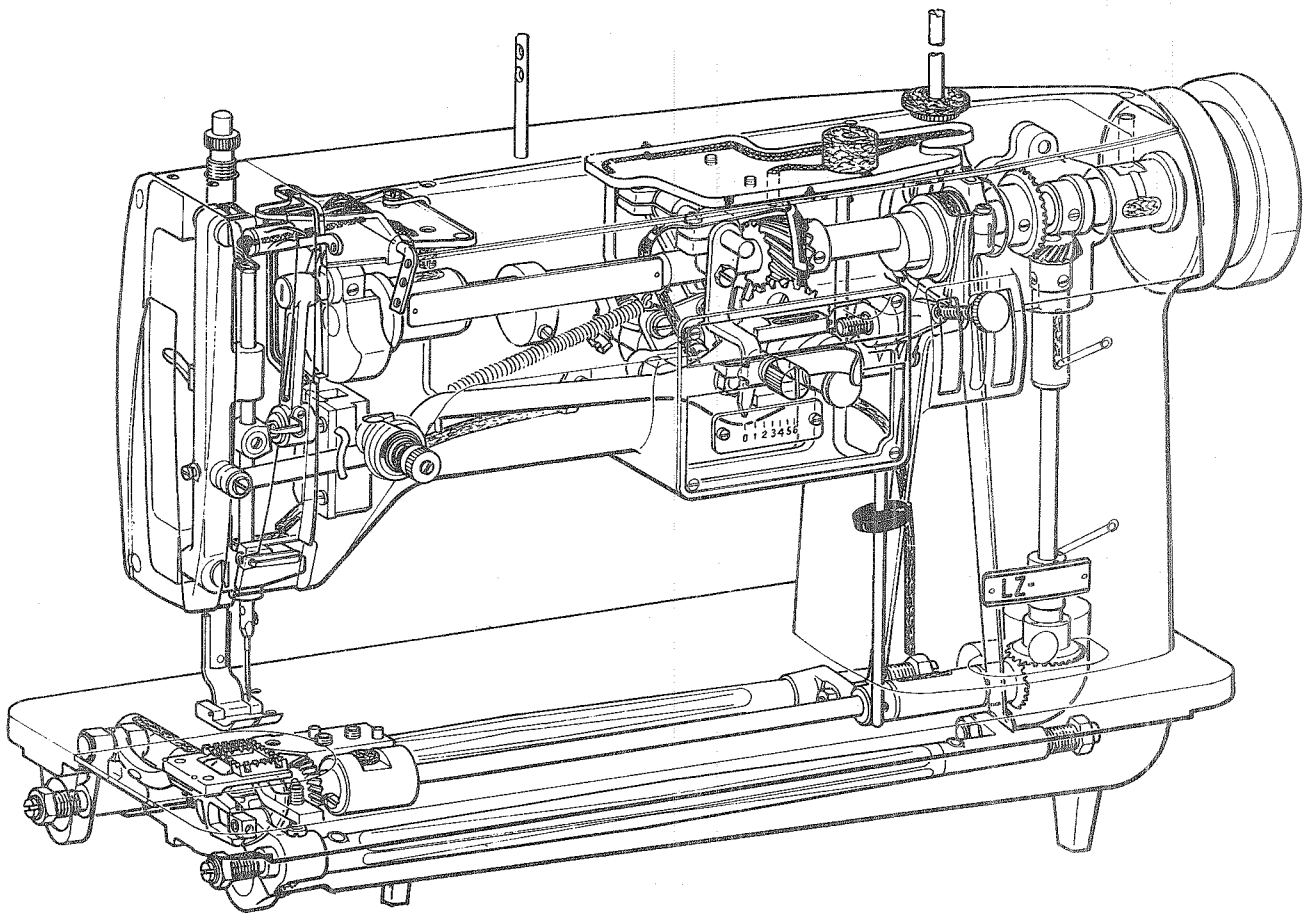
一本針本縫刺繡縫・千鳥縫兼用ミシン

LZ-391N

PARTS LIST



BE2710TOPJA
No.0011-07



HOW TO MAKE USE OF THIS PARTS LIST

パーツリストの見方

1. The part numbers of parts shown in the figure indicate the corresponding numbers (Ref. No.) shown by the Index.
図に示された部品の品番は、図にふられているNo (Ref.No.)に対応するインデックスによって、その品番がわかります

2. Explanation of codes
記号の説明

1) Codes on the "Note" column
"注記" 欄の記号

- ① ☆..... means this part is changed from the previous parts list.
前回のパーツリストに対して今回変更された部品を意味します
- ② #01..... refer to the "Note" explanation at bottom of page.
#01 ページ下の "注記" の説明を参照して下さい。

2) Codes on the "E.C. (Engineering change)" column
"変更年月" 欄の記号

- ① A.10/83..... Added from October, 1983
1983年10月より追加された。
- ② D.10/83..... Obsoleted from October, 1983
1983年10月より削除された。

③ When previous parts (Obsoleted part) and new parts (Added parts) are not interchangeable with each other:
部品の互換性がない変更の場合

In this case, even obsoleted part (D.) can be ordered with the obsoleted part number, so select the parts with changed dates and place your orders.
この場合は削除(D)された品番でもご注文できますから、変更年月により、いずれかの部品を選択してご注文下さい

Example (例)

Ref. No.	Note 注記	Part No. 品番	Description	E.C. 変更年月	品名	Amt. Req. 数量
1	☆	B1401-100-000	Needle bar	D.10/83	ハリポー	-
1-1	☆	B1401-100-000-A	Needle bar	A.10/83	ハリポー	1
2	☆	B1105-200-000	Frame cover	D.10/83	B1105-300-000	-
	☆	B1105-300-000	Frame cover	A.10/83	フレームカバー	1

④ In case when previous parts and new part are interchangeable with each other:
部品の互換性がある場合の変更

In this case the new part number is replaced on the "品名 (Japanese)" column of the previous parts, so please order by the new part number.
この場合は、旧部品の和文品名欄にそれにかわる新しい品番が記入してありますので、新しい品番でご注文下さい

⑤ C.10/83

1	☆	B1105-500-000	Frame cover	C.10/83	B1105-600-000	1
		↑ Correct No. 正しい品番			↑ Wrong No. 誤り品番	

Please order by the correct part number.
正しい品番でご注文下さい。

⑥ M.10/83..... The amount required is changed from October, 1983
The new amount required is shown in the "Amt. Req." column.
1983年10月より数量が変更になった。この場合数量欄には新しい数量が表示してあります

3) Codes on the "Amt. Req." column
"数量" 欄の記号

- ① 2..... Indicates amount required is 2.
数量、2個を表わします
- ② 2.0..... Indicates length in meters. (unit is meter)
長さ、2メートルを表わします。(単位はメートルです)
- ③ -..... Indicates parts obsoleted from the parts list.
このパーツリストから削除された部品です。
- ④ (1)..... Indicates sub parts which construct the assembly part.
Assembly part is shown as "asm." and クミ in Japanese, in the "Description" column.
組部品を構成している子部品を表わします。組部品は品名欄に英文で "asm." 和文でクミと表示してあります

When Ordering The Spare Parts:

In order to ensure that we deliver the correct parts to you, please clearly state when ordering the corresponding PART NUMBER (ex. B1109-012-A00) and also the PARTS LIST NUMBER (ex. 0010-01, given at the bottom right of the cover) or the MACHINE SERIAL-NUMBER, because there are some parts which have been changed.

補用部品注文の際のご注意

このパーツリストに記載されている補用部品をご注文の際は、部品の番号(例えば、B1109-012-A00)でご注文下さい。合わせて、ご覧のパーツリストの管理番号(表紙右下、例えば、No0010-01)又は、機械番号をご連絡頂ければ幸いです。又、改良のため部品の一部が変更になる場合がありますのでご了承下さい。

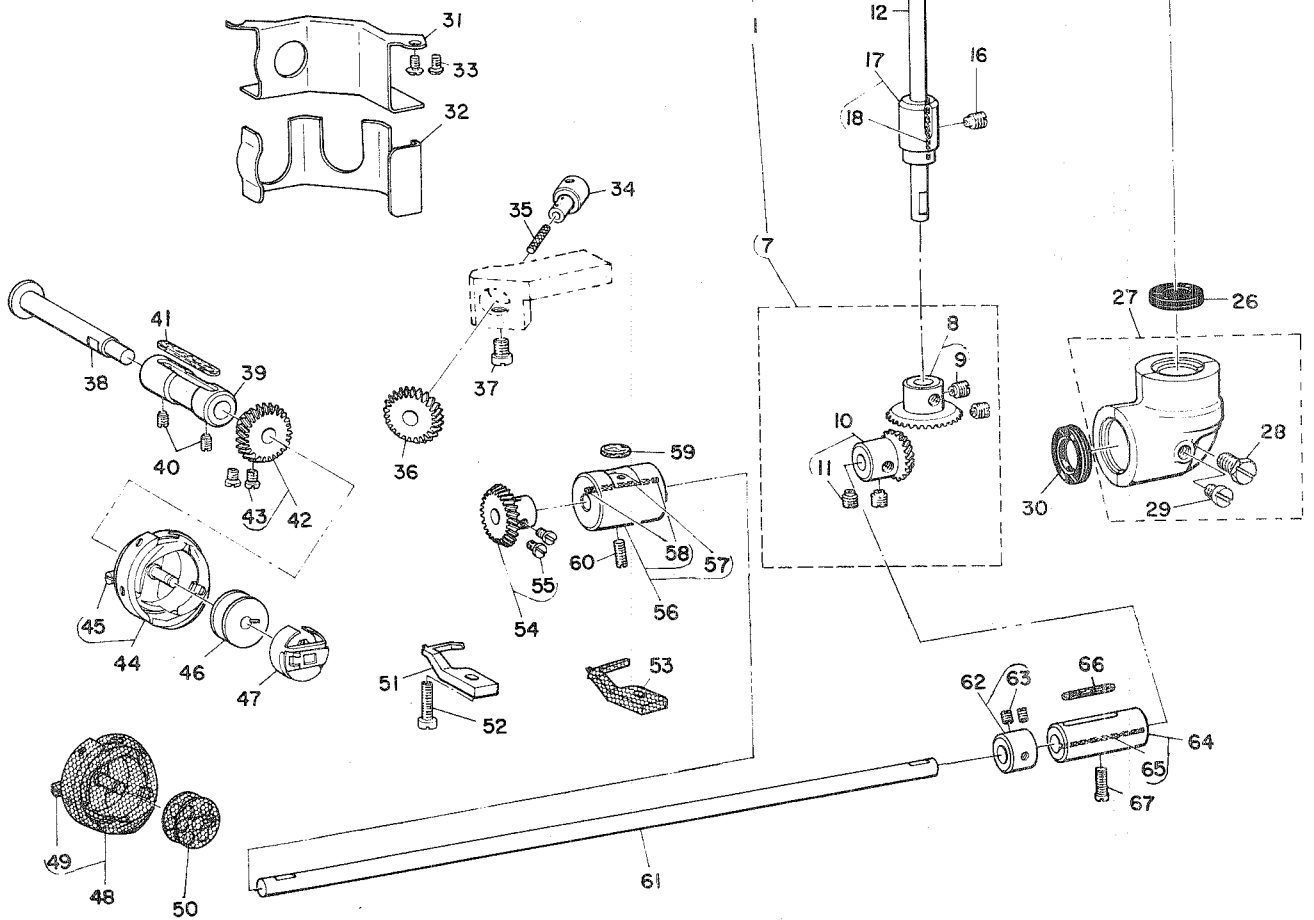
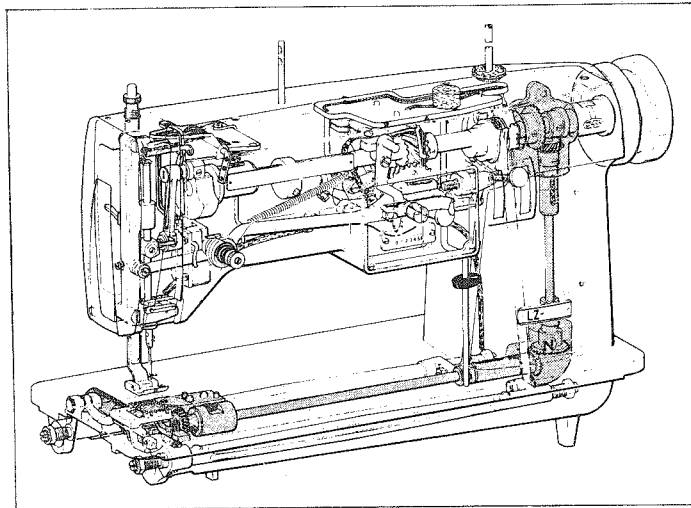
CONTENTS

目次

1. FRAME & MISCELLANEOUS COVER COMPONENTS 頭部・外装関係	1
2. MAIN SHAFT & NEEDLE BAR COMPONENTS 上軸・針棒関係	3
3. UPRIGHT SHAFT & LOWER SHAFT COMPONENTS 立軸・下軸関係	5
4. PRESSER FOOT & FEED & KNEE LIFTER COMPONENTS (FOR LZ-391N) 押工・送り・膝上げ関係(LZ391N用)	7
5. ZIGZAG REGULATOR COMPONENTS 千鳥調節関係	9
6. KNEE LIFTER & OIL RECEIVER COMPONENTS 膝上げ装置・油受け関係	11
7. SPECIAL ORDER PARTS 特別注文部品	12
8. EXCHANGING PARTS (FOR LZ-391N) 交換部品(LZ-391N用)	13
9. NUMERICAL INDEX OF PARTS 索引	16

3. UPRIGHT SHAFT & LOWER SHAFT COMPONENTS

立軸・下軸関係



3. UPRIGHT SHAFT & LOWER SHAFT COMPONENTS

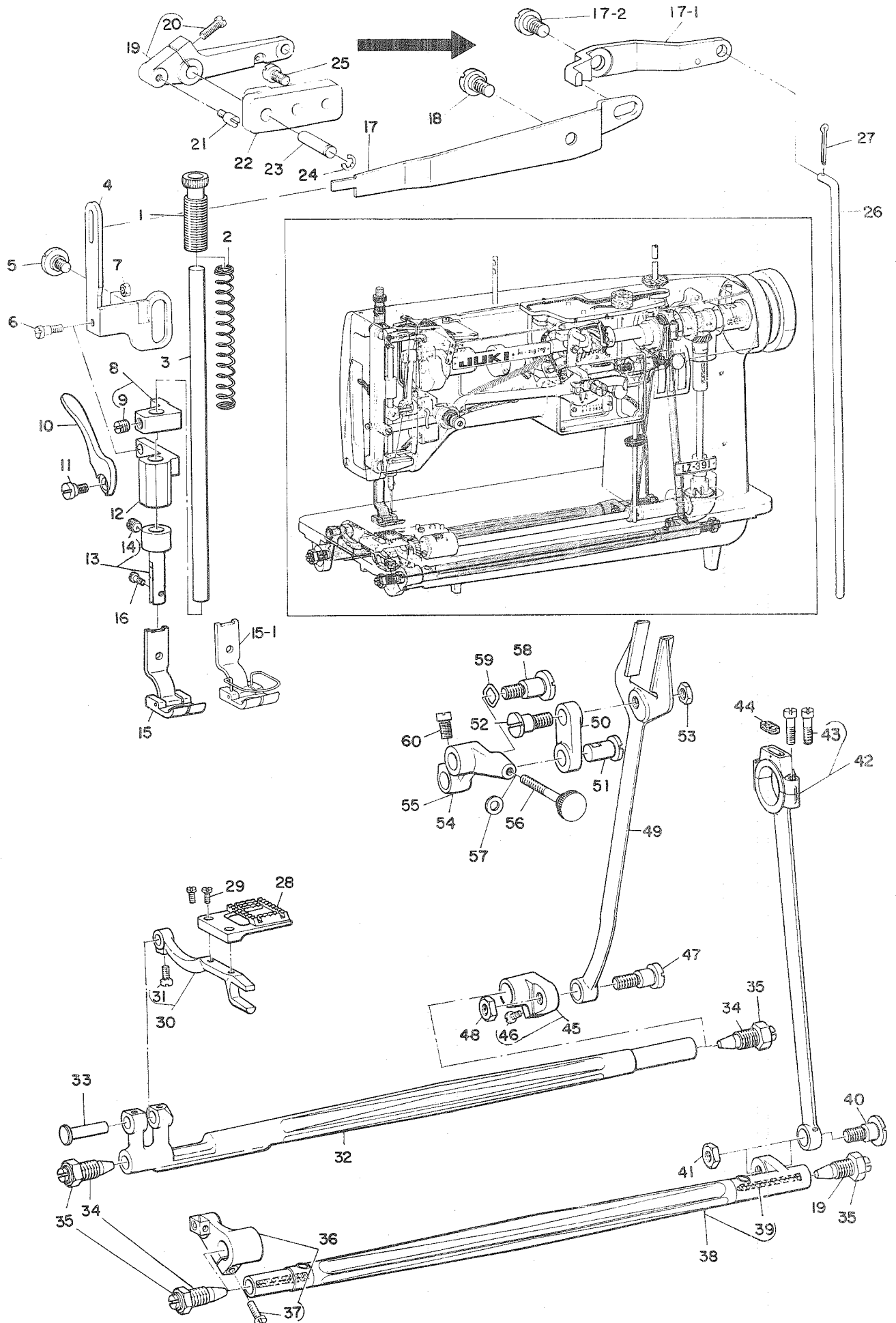
立軸・下軸関係

Ref. No.	Note	Part No.	Description	E.C.	Amt. Req.
	注記	品番		変更年月	数量
1		B1305-012-0C0	Gear & pinion asm.		1
2		B1305-012-0B0	Gear & pinion asm., upper		(1)
3		B1305-012-0A0	Gear asm.		(1)
4		SS-8660810-TP	Screw 1/4-40 L=8.0		(2)
5		B1306-012-0A0	Pinion asm.		(1)
6		SS-8660810-TP	Screw 1/4-40 L=8.0		(2)
7		B1307-012-AB0	Gear & pinion asm., lower		(1)
8		B1307-012-AA0	Gear asm.		(1)
9		SS-8660810-TP	Screw 1/4-40 L=8.0		(2)
10		B1307-012-BA0	Pinion asm.		(1)
11		SS-8660810-TP	Screw 1/4-40 L=8.0		(2)
12		B1301-027-000	Upright shaft		1
13		B1302-012-0A0	Upright shaft bushing asm., upper		1
14		CQ-2000000-00	Oil wick		(0.1)
15		B1304-012-A00	Felt		1
16		SS-8151150-SP	Screw 15/64-28 L=10.5		2
17		B1303-012-0A0	Upright shaft bushing asm., lower		1
18		CQ-2000000-00	Oil wick		(0.1)
19		B1310-012-000	Oil seal (A)		1
20		B1308-012-0B0	Gear case asm., upper		1
21		SS-9181520-CP	Screw 9/32-20 L=15.0		(1)
22		SS-6160680-SP	Screw		(1)
23		SS-9181520-CP	Screw 9/32-20 L=15.0		(1)
24		B1311-012-000	Oil seal (B)		1
25		B1312-012-000	Oil seal (C)		1
26		B1313-012-000	Oil seal (D)		1
27		B1309-012-0B0	Gear case asm., lower		1
28		SS-9181520-CP	Screw 9/32-20 L=15.0		(1)
29		SS-6160680-SP	Screw		(1)
30		B1314-012-000	Oil seal (E)		1
31		B1865-391-C00	Helical gear cover (C)		1
32		B1864-391-C00	Helical gear case (C)		1
33		SS-3090610-SP	Screw 9/64-40 L=6.0		2
34		B1838-391-C00	Herical gear shaft intermediate (C)		1
35		CQ-3000000-00	Oil wick		0.1
36		B1852-391-C00	Helical gear intermediate (C)		1
37		SS-7150940-SP	Screw 15/64-28 L=9.0		1
38		B1850-391-B00	Hook shaft (B)		1
39		B1813-391-C00	Hook shaft bushing (C)		1
40		SS-8110750-SP	Screw 11/64-40 L=6.5		2
41		B1816-271-B00	Hook shaft bushing felt (B)		1
42		B1853-391-CA0	Hook shaft helical gear asm. (C)		1
43		SS-6110620-TP	Screw 11/64-40 L=5.5	M.1/80	(2)
44	◇02	B1830-710-0A0	Hook asm.		1
45	◇02	SS-6110460-TP	Screw		(3)
46	◇02	B9117-039-000	Bobbin	D.12/79	—
		B9117-012-000	Bobbin	A.12/79	1
47		B1837-027-0A0	Bobbin case asm.		1
48	◇01	B1830-027-0A0	Sewing hook asm.		1
49	◇01	SS-6110460-TP	Screw		(3)
50	◇01	B9117-012-000	Bobbin	D.12/79	—
51	◇02	B8135-039-000	Bobbin case positioning finger		1
52		SS-6111620-SP	Screw 11/64-40 L=16.0		1
53	◇01	B1835-027-000	Bobbin case positioning finger		1
54		B1851-391-CA0	Lower shaft herical gear asm.		1
55		SS-6110620-TP	Screw 11/64-40 L=5.5	M.1/80	(2)
56		B1802-027-0A0	Lower shaft bushing asm., front		1
57		CQ-2020000-00	Oil wick		(0.1)
58		TA-0300503-R0	Plug 3.0 L=4.5	D.3/79	—
59		B1805-009-000	Felt		1
60		SS-6111440-SP	Screw 11/64-40 L=14.0	D.6/80	—
		SS-8111010-TP	Screw 11/64-40 L=9.5	A.6/80	1
61		B1801-391-B00	Lower shaft (B)		1
62		CS-0721210-SH	Thrust collar asm.		1
63		SS-8110510-SP	Screw 11/64-40 L=5.0		(2)
64		B1302-012-0A0	Lower shaft bushing asm., rear		1
65		CQ-2000000-00	Oil wick		(0.1)
66		B1304-012-A00	Felt		1
67		SS-6111110-SP	Screw 11/64-40 L=11.0		1

Note (注記) ◇01 For LZ-271 LZ-271用
 ◇02 For LZ-391N LZ-391N用

4. PRESSER FOOT & FEED & KNEE LIFTER COMPONENTS (FOR LZ-391N)

押工・送り・膝上げ関係(LZ-391N用)



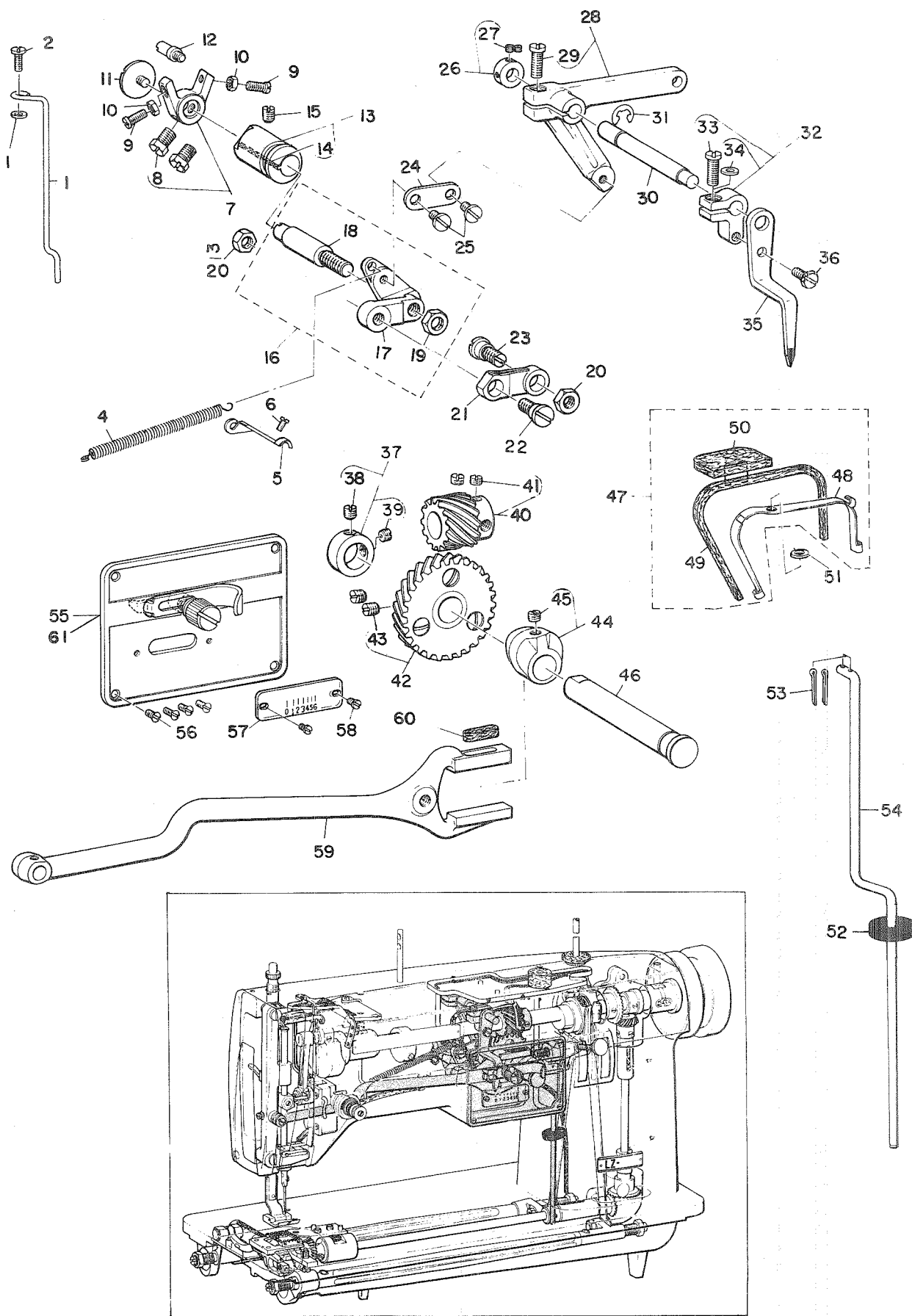
4. PRESSER FOOT & FEED COMPONENTS (FOR LZ-391N)

押エ・送り・膝上ゲ関係(LZ-391N用)

Ref. No.	Note	Part No.	Description	E.C.	品名	Amt. Req. 数量
	注記	品番		変更年月		
1		B1509-012-000	Presser spring regulator		押エ調節ネジ	1
2		B1505-040-000	Presser spring		押エ調節バネ	1
3		B1501-391-000	Presser bar, joint rod type		継足式押エ棒	1
4		B1518-040-000	Lifting lever		引キ上げ板	1
5		SD-0920321-SP	Hinge screw D=9.20 H=3.2		引キ上げ板案内段ネジ	1
6		SD-0460571-SD	Hinge screw D=4.60 H=5.7	D.7/79	SD-0460571-CP	—
		SD-0460571-CP	Hinge screw D=4.60 H=5.7	A.7/79	引キ上げ板連結ネジ	1
7		NS-6110310-SP	Nut 11/64-40		引キ上げ板連結ナット	1
8		B1507-040-0A0	Presser bar guide bracket asm.		押エ棒抱キ(組)	1
9		SS-8150710-SP	Screw 15/64-28 L=7.0		押エ棒抱キ止ネジ	(1)
10		A1512-007-000	Hand lifter		押エ上げ	1
11		SD-0700251-SP	Hinge screw D=7.00 H=2.5		押エ上げ軸	1
12		B1511-040-000	Hand lifter lever bracket		押エ上げテコ	1
13		B1502-391-AA0	Presser bar joint rod (A) asm.		押エ棒継足(A)(組)	1
14		SS-8660530-TP	Screw 1/4-40 L=4.5		押エ棒継足(A)止ネジ	(1)
15		B1524-391-DA0	Presser foot (D) asm.		押エ(D)(組)	1
15-1		B1524-391-DB0	Presser foot (D) asm.	A.3/76	押エ(D)(組)	1
16		SS-6090910-SP	Screw 9/64-40 L=9.0		押エ止ネジ	1
17		B3406-391-0A0	Knee lifter lever asm.	D.7/80	膝上ゲテコ(組)	—
		B3406-391-000-A	Knee lifter lever	A.7/80	膝上ゲテコ	1
17-1		B3407-391-000	Knee lifter rear lever	A.7/80	膝上ゲ後テコ	1
17-2		SD-0790361-SP	Hinge screw D=7.94 H=3.6	A.7/80	膝上ゲ後テコ段ネジ	1
18		SD-1150701-SP	Hinge screw D=11.50 H=7.0	D.7/80	膝上ゲテコ軸	—
		SD-0790361-SP	Hinge screw D=7.94 H=3.6	A.7/80	膝上ゲテコ軸	1
19		B2120-027-0AB	Zigzag regulating link asm.	D.7/80	千鳥調節リンク(組)	—
20		SS-7111410-SP	Screw 11/64-40 L=14.0	D.7/80	千鳥調節リンク締ネジ	—
21		B3409-040-000	Connecting pin	D.7/80	千鳥調節リンクピン	—
22		B3410-391-000	Knee lifter lever bearing	D.7/80	膝上ゲ土台	—
23		B3411-391-000	Hinge pin	D.7/80	膝上ゲ土台軸	—
24		RE-0500000-K0	Snap ring 5.0	D.7/80	膝上ゲ土台軸Eリング	—
25		SS-6151440-SP	Screw 15/64-28 L=14.0	D.7/80	膝上ゲ土台	—
26		B3413-391-A00	Lifting rod (A)	D.7/80	突キ上げ棒(A)	—
		B3413-391-A00-A	Lifting rod (A)	A.7/80	突キ上げ棒(A)	1
27		PD-0201500-00	Cotter pin		突キ上げ棒割ピン	1
28		B1613-391-N00	Feed dog (N)		送り(N)	1
29		SS-4080620-TP	Screw 1/8-44 L=6.4		送り止ネジ	2
30		B1602-040-0A0	Feed bracket asm.		送り台(組)	1
31		SS-4090810-SP	Screw 9/64-40 L=8.0		送り台軸止ネジ	(1)
32		B1601-391-B00	Feed rock shaft (B)		水平送り軸(B)	1
33		B1604-391-B00	Feed bar shaft (B)		送り台軸(B)	1
34		B1113-012-000	Center screw		送り軸センター	4
35		NS-6740510-SP	Nut 3/8-28		送り軸センターナット	4
36		B1706-012-0B0	Feed driving shaft crank asm.		上下送り腕(組)	1
37		SS-7111410-SP	Screw 11/64-40 L=14.0		上下送り腕締ネジ	(1)
38		B1704-012-0A0	Feed driving shaft asm.		上下送り軸(組)	1
39		CQ-2020000-00	Oil wick		油心	(0.1)
40		SD-1020710-SP	Hinge screw D=10.20 H=7.0		上下送りロッド段ネジ	1
41		NS-6680410-SP	Nut 9/32-28		上下送りロッド段ネジナット	1
42		B1701-040-0A0	Feed driving shaft connecting rod asm.		上下送りロッド(組)	1
43		SS-6121610-SP	Screw 3/16-28 L=15.5		上下送りロッドフタネジ	(2)
44		B1702-012-000	Oil felt		上下送りロッドフェルト	1
45		B1612-012-0A0	Feed rod shaft crank asm.		水平送り腕(組)	1
46		SS-7111410-SP	Screw 11/64-40 L=14.0		水平送り腕締ネジ	(1)
47		SD-1020961-SP	Hinge screw D=10.20 H=9.6		二又ロッド段ネジ	1
48		NS-6680410-SP	Nut 9/32-28		水平送り腕段ネジナット	1
49		B1614-040-000	Pitman		二又ロッド	1
50		B1619-226-000	Feed regulator connecting link		二又リンク	1
51		B1618-226-000	Hinge pin		二又リンク軸	1
52		SD-0950802-SP	Hinge screw D=9.53 H=8.0	D.3/76	SD-0950802-SH	—
		SD-0950802-SH	Hinge screw D=9.53 H=8.0	A.3/76	二又リンク段ネジ	1
53		NS-6680410-SP	Nut 9/32-28		二又リンク段ネジナット	1
54		B1622-391-000	Feed regulator	D.1/75	送り調節器	—
55		B1622-391-000-A	Feed regulator	A.1/75	送り調節器	1
56		B1628-040-000	Reverse feed control knob		送り調節器ツマミ	1
57		WP-0501016-SP	Washer		送り調節器ツマミ座金	1
58		SD-1021251-SP	Hinge screw D=10.20 H=12.5		送り調節器止ネジ	1
59		B1632-040-000	Washer	D.1/79	送り調節器止ネジ座金	—
		WZ-1052010-KP	Waved washer	A.1/79	送り調節器止ネジ座金	1
60		SS-6661110-SP	Screw 1/4-40 L=11.0		二又リンク軸止ネジ	1

5. ZIGZAG REGULATOR COMPONENTS

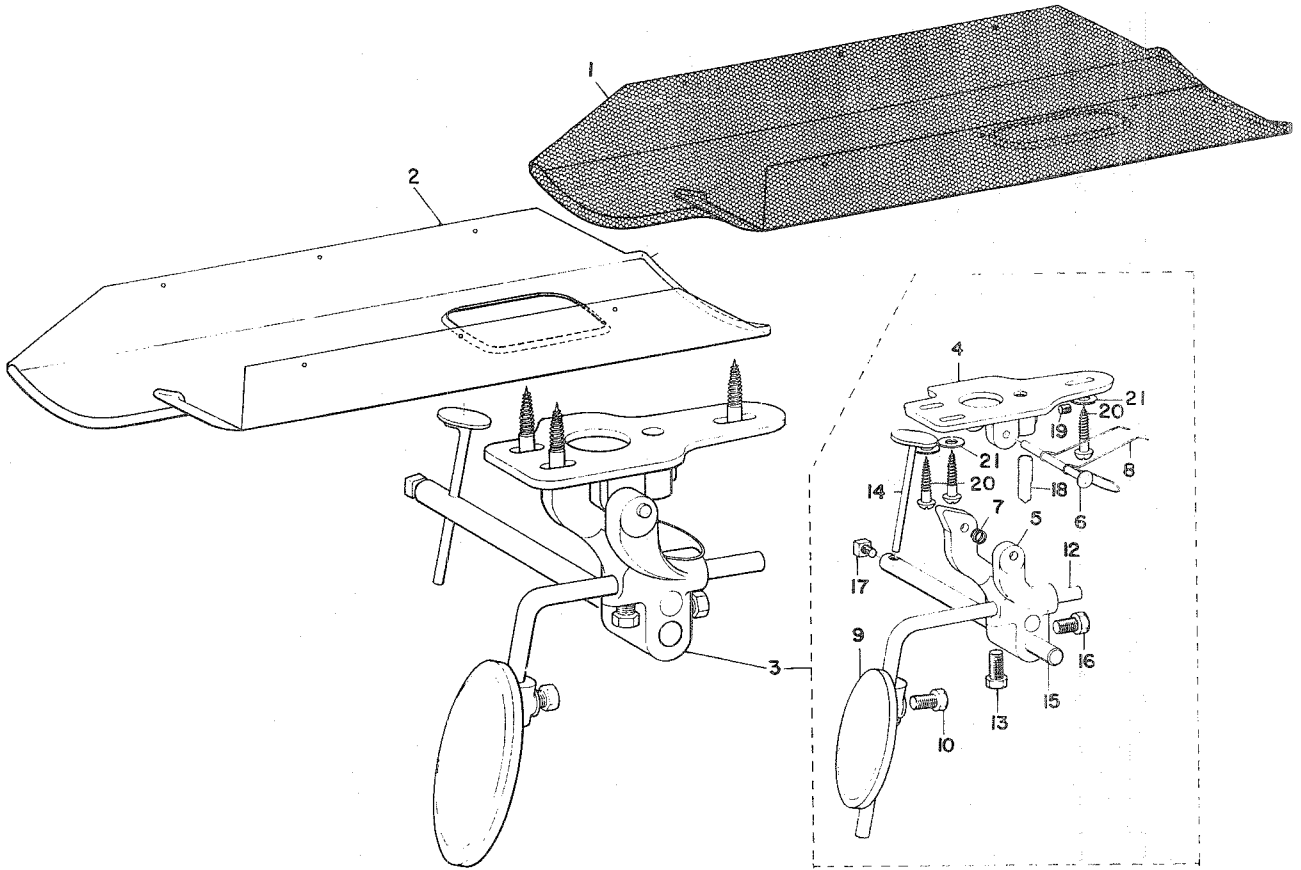
千鳥調節關係



5. ZIGZAG REGULATOR COMPONENTS

千鳥調節関係

Ref. No.	Note	Part No.	Description	E.C.	Amt. Req.
	注記	品番		変更年月	数量
1		B3412-271-000	Lifting spring catch		1
2		SS-7091110-SP	Screw 9/64-40 L=10.5		1
3		WP-0371016-SD	Washer 3.7x8.0x1.0		1
4		B3419-271-000	Lifting spring		1
5		B3414-271-000	Lifting spring catch (B)		1
6		SS-0609610-SP	Screw 9/64-40 L=5.5	D.12/79	—
7		B2114-271-0A0	Zigzag regulator stud collar asm.	D.12/79	—
8		SS-9660720-SP	Screw 1/4-40 L=6.0		1
9		SS-6111110-SP	Screw 11/64-40 L=11.0		(2)
10		NS-6110310-SP	Nut 11/64-40		2
11		B1630-027-000	Zigzag regulator stud forcing screw		2
12		B1631-012-B00	Suspension stud (B)		1
13		B2129-271-BA0	Zigzag regulator stud bushing (B) asm.		1
14		CQ-3000000-00	Oil wick		1
15		SS-8150710-SP	Screw 15/64-28 L=7.0		(0.1)
16		B2107-271-0A0	Zigzag regulator asm.		1
17		B2107-271-000	Zigzag regulator		(1)
18		B2108-271-000	Zigzag regulator stud		(1)
19		NS-6700420-SP	Nut 5/16-24		(1)
20		NS-6680410-SP	Nut 9/32-28		2
21		B2119-271-B00	Zigzag regulator link (B)		1
22		SD-0950806-SP	Hinge screw D=9.53 H=8.0		1
23		SD-0950802-SP	Hinge screw D=9.53 H=8.0	D.3/76	—
		SD-0950802-SH	Hinge screw D=9.53 H=8.0	A.3/76	1
24		B2115-271-000	Needle throw link		1
25		SD-0640231-SP	Hinge screw D=6.35 H=2.3		2
26		CS-079061A-SC	Thrust collar asm.		1
27		SS-8090410-SP	Screw 9/64-40 L=3.5		(2)
28		B2120-271-0A0	Lifting crank asm.		1
29		SS-6121610-SP	Screw 3/16-28 L=15.5		(1)
30		B2122-271-000	Lifting crank shaft		1
31		RE-0500000-K0	Snap ring 5.0		1
32		B2109-271-0A0	Indicator bearing bracket asm.		1
33		SS-7121410-SP	Screw 3/16-28 L=14.0		(1)
34		WP-0480856-SP	Washer 4.8x8.4x0.8		(1)
35		B2110-271-000	Indicator		1
36		SS-9121340-CP	Screw 3/16-28 L=13.0		1
37		CS-128101A-SH	Thrust collar asm.		1
38		SS-8150510-TP	Screw 15/64-28 L=4.7		(1)
39		SS-8150410-TP	Screw 15/64-28 L=4.0		(1)
40		B2101-271-0A0	Bevel gear asm. (SMALL)		1
41		SS-8660330-SP	Screw 1/4-40 L=3.0		(2)
42		B2102-271-0A0	Bevel gear asm. (LARGE)		1
43		SS-8660810-TP	Screw 1/4-40 L=8.0		(2)
44		B1210-271-0A0	Zigzag triangular cam asm.		1
45		SS-8151150-SP	Screw 15/64-28 L=10.5		(1)
46		B2103-271-B00	Bevel gear shaft (B)		1
47		B1190-271-0A0	Oil pad holder asm.		1
48		B1190-271-000	Oil pad holder		(1)
49		B1191-271-000	Oil felt (A)		(1)
50		B1192-271-000	Oil felt (B)		(1)
51		WP-0480856-SP	Washer 4.8x8.4x0.8		1
52		B3415-707-000	Oil seal washer		1
53		PD-0201500-00	Cotter pin		2
54		B3413-271-B00	Lifting rod (B)		1
55		B2104-271-0A0	Zigzag scale installing plate asm.		1
56		SS-2090710-SP	Screw 9/64-40 L=7.0		4
57		B2130-271-000	Zigzag scale		1
58		SS-7060610-SP	Screw 3/32-56 L=5.5		2
59		B2126-027-000	Needle bar frame pitman		1
60		B2127-027-000	Oil pad	D.6/79	—
		B1702-012-000	Oil pad	A.6/79	1
61		B2104-271-0AA	Zigzag scale installing plate asm.		1

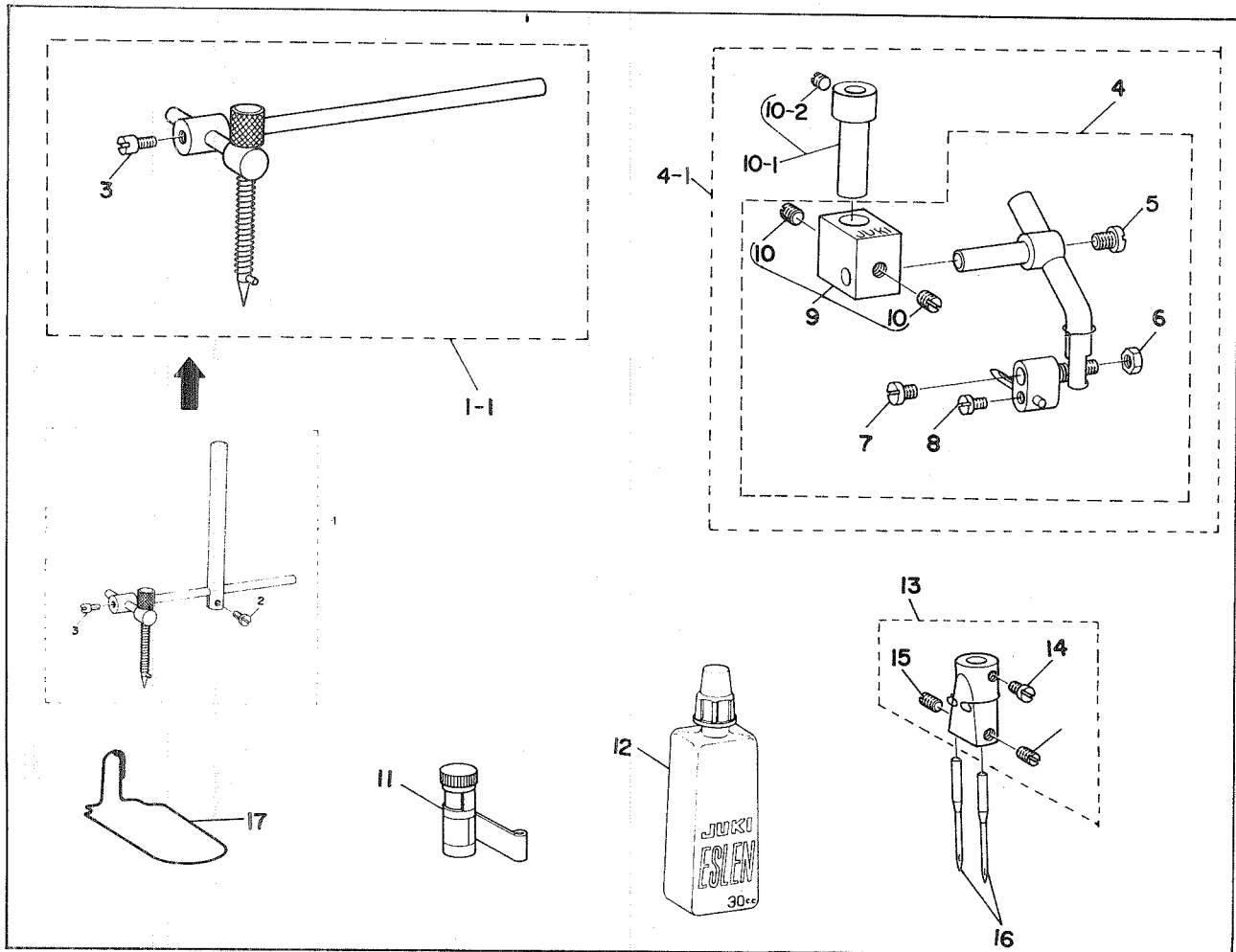


Ref. No.	Note	Part No.	Description	E.C. 変更年月	品名	Amt. Req. 数量
1	◇01	B8217-271-000	Drip pan		油受け	1
2	◇02	B8217-391-000	Drip pan		油受け	1
3		B3401-027-0B0	Knee lifter asm.		Wヒザ上げ(組)	1
4		B3401-027-000	Knee driving shaft mounting base		ヒザ上げ台	(1)
5		B3402-027-000	Knee driving bracket		ヒザ上げ体	(1)
6		B3408-027-000	Knee driving shaft		ヒザ上げ軸	(1)
7		B3404-027-000	Spring		ヒザ上げブラケットバネ	(1)
8		B3409-027-000	Knee driving spring		ヒザ上げバネ	(1)
9		B3407-027-000	Knee press plate		ヒザ当板	(1)
10		SM-9081620-SE	Screw M8x16		ヒザ当板止ネジ	(1)
12		B3403-027-000	Knee press plate rod		ヒザ当板軸	(1)
13		SS-9201813-CN	Screw 5/16-18 L=18.0		ヒザ当板軸角ボルト	(1)
14		B3405-027-0A0	Knee lifter rod asm.		突キ上げ板(組)	(1)
15		B3410-027-000	Knee press rod		突キ上げ板軸	(1)
16		SS-9201813-CN	Screw 5/16-18 L=18.0		突キ上げ板軸角ボルト	(1)
17		B3406-027-000	Bolt		突キ上げ板角ボルト	(1)
18		B3411-027-000	Stopper pin		ストッパーピン	(1)
19		SS-8150710-SN	Screw 15/64-28 L=7.0		ストッパーピン止ネジ	(1)
20		SK-3623200-SC	Wood screw D=6.2 L=32		Wヒザ上げ止ネジ	(3)
21		WP-0851216-SC	Washer 8.5x18.0x1.2		Wヒザ上げ止ネジ座金	(3)

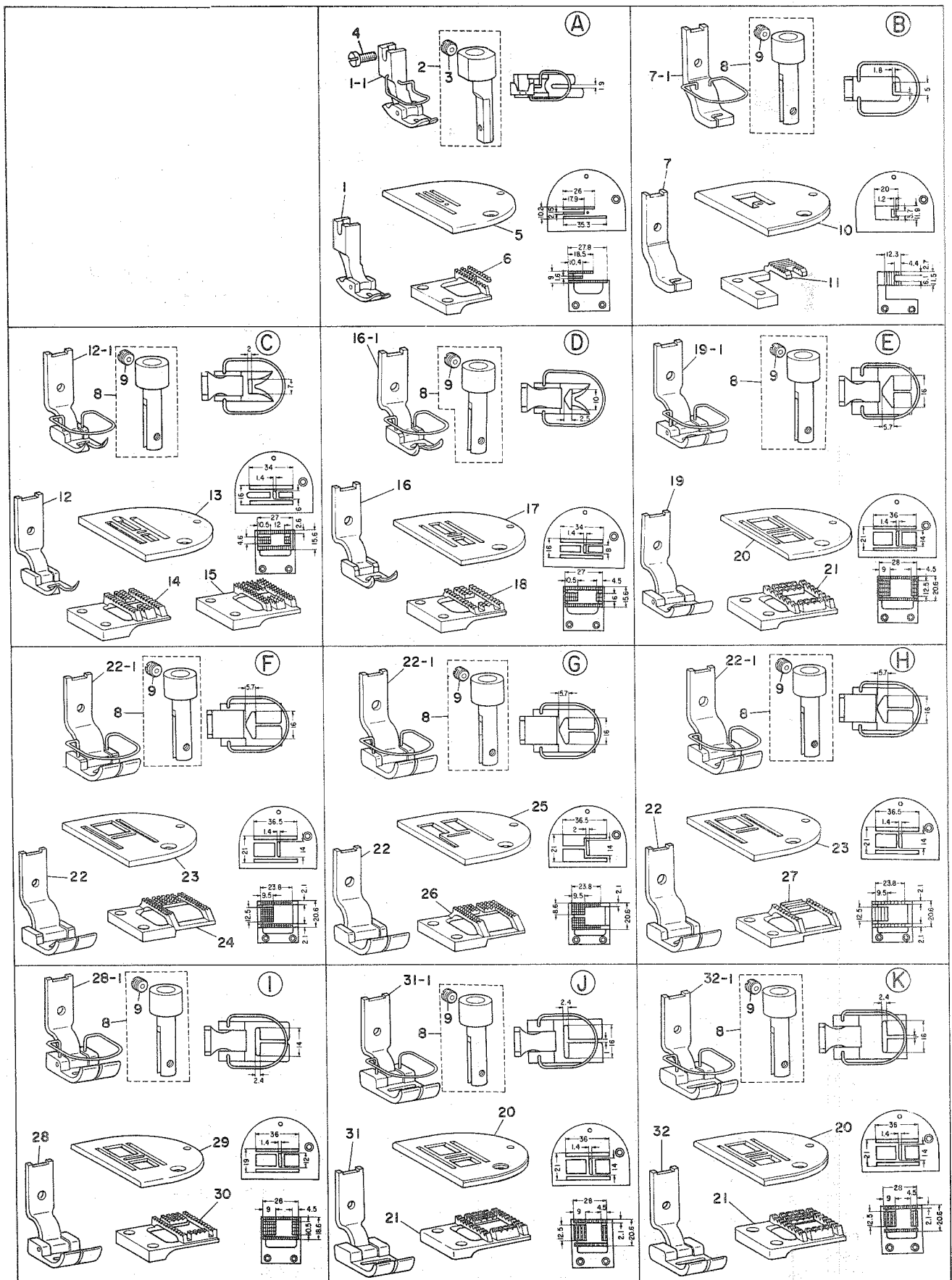
Note (注記) ◇01 For LZ-271 LZ-271用
 ◇02 For LZ-391N LZ-391N用

7. SPECIAL ORDER PARTS

特別注文部品



Ref. No.	Note	Part No.	Description	E.C.	品名	Amt. Req.
		品番		変更年月		数量
1		B3351-027-0A0	Compass attachment asm.	D.2/78	B3352-271-0A0	-
1-1		B3352-271-0A0	Compass attachment asm.	A.2/78	コンパス (組)	1
2		SS-6090910-SP	Screw 9/64-40 L=9.0	D.2/78	コンパス支エ (A) 止ネジ	-
3		SS-6080720-SP	Screw 1/8-44 L=7.0		コンパス支エ (B) 止ネジ	(1)
4		B5001-027-0A0	Scallop attachment asm.	D.7/76	スカラップ (組)	-
4-1		B5001-271-0A0	Scallop attachment asm.	C.9/76	B5001-027-0B0	1
5		SS-7090510-SP	9/64-40 L=4.6		糸道案内継足止ネジ	(1)
6		NS-6080210-SP	Nut 1/8-44		カラー止ネジナット	(1)
7		SS-7090520-SP	Screw 9/64-40 L=4.5		カラー止ネジ	(1)
8		SS-4080310-SP	Screw 1/8-44 L=3.4		糸道案内棒止ネジ	(1)
9		B5008-027-0A0	Support block asm.		支エブロック	(1)
10		SS-8110510-SP	Screw 11/64-40 L=5.0		支エブロック止ネジ	(2)
10-1		B1502-391-BA0	Presser bar joint rod (B) asm.	A.7/76	押エ棒継足 (B)(組)	(1)
10-2		SS-8660530-TP	Screw 1/4-40 L=4.5	A.7/76	押エ棒継足止ネジ	(1)
11		B1130-541-0A0	Silicon oil case asm.		エスレンケース (組)	1
12		B9135-123-0B0	Silicon oil lubricant asm. (30cc)		エスレン油差シ (組)(30cc)	1
13		D1402-391-0A0	Needle bar head asm.		二本針用針留メ (組)	1
14		SS-6090410-TP	Screw 9/64-40 L=3.5		針棒止ネジ	(1)
15		SS-8090540-SP	Screw 9/64-40 L=5.0		針止ネジ	(2)
16		D1420-391-000	Needle		二本針用針	2
17		B1419-391-000	Needle bar guard		針棒安全カバー	1



8. EXCHANGING PARTS (FOR LZ-391N)

交換部品(LZ-391N用)

	用途	USAGE	振巾 Width of Throw	備考	REMARKS
Ⓐ	直進縫用	For straight sewing	0	一般工業用ミシンの押エ、三ツ巻が取り付けられます。	Presser foot and hemmer foot of conventional industrial machine can be attached.
Ⓑ	紐付用	For cord attaching	3mm(1/8")		
Ⓒ	芯刺し用	For embroidering	5mm(3/16")	送りB1613-040-E0Bは鬼歯です。	B1613-040-E0B is a fang type teeth.
Ⓓ	薄物用	For light weight materials	6mm(1/4")		
Ⓔ	中厚物・厚物用	For medium heavy, heavy weight materials	10mm(3/8")	標準部品	All standard parts.
Ⓕ	厚物用	For heavy weight materials	10mm(3/8")	中ガマ押エをB1835-027-000に交換すれば、振巾12mmまで可能です。	The zigzag width of throw can be increased to 12mm if the rotary hook presser foot is exchanged to that of B8135-027-000.
Ⓖ	厚物用	For heavy weight materials	10mm(3/8")		
Ⓗ	厚物用	For heavy weight materials	10mm(3/8")	送りB1613-040-A0BはⒻの送りB1613-040-A0Aより、送り歯のピッチが荒い。	The feed pitch of the feed dog for this type, B1613-040-A0B is rougher than the pitch of B1613-040-A0A for Ⓕ.
Ⓙ	中厚物・厚物用	For medium heavy, heavy weight materials	10mm(3/8")		
⓵	薄物用	For light weight materials	12mm(15/32")	自飛び防止用、押エ使用。	Skip-stitch preventing presser foot used.
⓷	厚物用、段縫向	For heavy weight, stepped-sewing materials	12mm(15/32")		

* Ⓐ Ⓑ Ⓒ Ⓓ Ⓕ Ⓖ ⒽカマはB1830-027-0A0を使用して下さい
Use sewing hook No.B1830-027-0A0.

8. EXCHANGING PARTS (FOR LZ-391N)

交換部品(LZ-391N用)

Ref. No.	Note	Part No.	Description	E.C.	品名	Amt. Req.
	注記	品番		変更年月		数量
1		B1524-012-0A0	Presser foot asm.		直進用押工(組).....	1
1-1		B1524-012-0B0	Presser foot asm.	A.3/76	直進用押工(組).....	1
2		D1502-391-DA0	Presser bar joint rod (D) asm.		押工棒継足(D)(組).....	1
3		SS-8660530-TP	Screw 1/4-40 L=4.5		押工棒継足止ネジ.....	(1)
4		SS-7091110-SP	Screw 9/64-40 L=10.5		押工止ネジ.....	1
5		D1109-391-FA0	Throat plate (F) asm.		針板(F)(組).....	1
6		D1613-391-F00	Feed dog (F)		直進用送り(F).....	1
7		B1524-040-C0A	Presser foot (C)		押工(C).....	1
7-1		B1524-040-CAA	Presser foot (C) asm.	A.3/76	押工(C)(組).....	1
8		B1502-391-AA0	Presser bar joint rod (A) asm.		押工棒継足(A)(組).....	1
9		SS-8660530-TP	Screw 1/4-40 L=4.5		押工棒継足止ネジ.....	(1)
10		B1109-040-CA0	Throat plate (C) asm.		針板(C)(組).....	1
11		B1613-040-C00	Feed dog (C)		送り(C).....	1
12		B1524-040-EA0	Presser foot (E) asm.		押工(E)(組).....	1
12-1		B1524-040-EB0	Presser foot (E) asm.	A.3/76	押工(E)(組).....	1
13		B1109-040-EA0	Throat plate (E) asm.		針板(E)(組).....	1
14		B1613-040-E0A	Feed dog (E)		送り(E).....	1
15		B1613-040-E0B	Feed dog (E')		送り(E').....	1
16		B1524-040-AA0	Presser foot (A) asm.		押工(A)(組).....	1
16-1		B1524-040-AB0	Presser foot (A) asm.	A.3/76	押工(A)(組).....	1
17		B1109-040-DA0	Throat plate (D) asm.		針板(D)(組).....	1
18		B1613-040-D00	Feed dog (D)		送り(D).....	1
19		B1524-391-DA0	Presser foot (D) asm.		押工(D)(組).....	1
19-1		B1524-391-DB0	Presser foot (D) asm.	A.3/76	押工(D)(組).....	1
20		B1109-391-NA0	Throat plate (N) asm.		針板(N)(組).....	1
21		B1613-391-N00	Feed dog (N)		送り(N).....	1
22		B1524-040-DA0	Presser foot (D) asm.		押工(D)(組).....	1
22-1		B1524-040-DB0	Presser foot (D) asm.	A.3/76	押工(D)(組).....	1
23		B1109-040-AA0	Throat plate (A) asm.		針板(A)(組).....	1
24		B1613-040-A0A	Feed dog (A-1)		送り(A-1).....	1
25		B1109-040-BA0	Throat plate (B) asm.		針板(B)(組).....	1
26		B1613-040-B00	Feed dog (B)		送り(B).....	1
27		B1613-040-A0B	Feed dog (A-2)		送り(A-2).....	1
28		D1524-391-NA0	Presser foot (N) asm.		押工(N)(組).....	1
28-1		D1524-391-NB0	Presser foot (N) asm.	A.3/76	押工(N)(組).....	1
29		D1109-391-RA0	Throat plate (R) asm.		針板(R)(組).....	1
30		D1613-391-R00	Feed dog (R)		送り(R).....	1
31		D1524-391-PA0	Presser foot (P) asm.		薄物用押工(P)(組).....	1
31-1		D1524-391-PB0	Presser foot (P) asm.	A.3/76	押工(P)(組).....	1
32		D1524-391-QA0	Presser foot (Q) asm.		押工(Q)(組).....	1
32-1		D1524-391-QB0	Presser foot (Q) asm.	A.3/76	押工(Q)(組).....	1

9. NUMERICAL INDEX OF PARTS

索引

Part No.	Page	Item	Ref.	Part No.	Page	Item	Ref.	Part No.	Page	Item	Ref.	Part No.	Page	Item	Ref.
			No.	品番	頁	項目	No.	品番	頁	項目	No.	品番	頁	項目	No.
EXCLUSIVE PARTS		専用部品		B1311-012-000	6	3	24	B1802-027-0A0	6	3	56	B3410-391-000	8	4	22
A1512-007-000	8	4	10	B1312-012-000	6	3	25	B1805-009-000	6	3	59	B3411-027-000	11	6	18
A9116-001-000	2	1	23	B1313-012-000	6	3	26	B1813-391-C00	6	3	39	B3411-391-000	8	4	23
B1103-271-000	2	1	11	B1314-012-000	6	3	30	B1816-271-B00	6	3	41	B3412-271-000	10	5	1
B1109-027-AA0	2	1	70	B1401-271-000	4	2	48	B1830-027-0A0	6	3	48	B3413-271-B00	10	5	54
B1109-040-AA0	15	8	23	B1408-271-B00	4	2	42	B1830-710-0A0	6	3	44	B3413-391-A00	8	4	26
B1109-040-BA0	15	8	25	B1411-271-0A0	4	2	38	B1835-027-000	6	3	53	B3414-271-000	10	5	5
B1109-040-CA0	15	8	10	B1413-271-000	4	2	56	B1835-039-000	6	3	51	B3415-707-000	10	5	52
B1109-040-DA0	15	8	17	B1414-271-B00	4	2	43	B1837-027-0A0	6	3	47	B3419-271-000	10	5	4
B1109-040-EA0	15	8	13	B1415-271-B00	4	2	54	B1838-391-C00	6	3	34	B3534-012-000	2	1	26
B1109-391-NA0	15	8	20	B1419-391-000	12	7	17	B1850-391-B00	6	3	38	B3537-122-000	2	1	43
B1109-391-NA0	2	1	65	B1421-271-000	4	2	35	B1851-391-CA0	6	3	54	B5001-027-0A0	12	7	4
B1110-040-0A0	2	1	67	B1422-027-000	4	2	36	B1852-391-C00	6	3	36	B5001-271-0A0	12	7	
B1111-012-000	2	1	68	B1424-027-000	4	2	49	B1853-391-CA0	6	3	42	B5008-027-0A0	12	7	9
B1113-012-000	8	4	34	B1427-271-000	4	2	40	B1864-391-C00	6	3	32	B8217-271-000	11	6	1
B1114-012-000	2	1	10	B1429-027-000	4	2	45	B1865-391-C00	6	3	31	B8217-391-000	11	6	2
B1128-271-000	2	1	13	B1432-027-000	4	2	50	B1911-027-0B0	4	2	1	B9117-012-000	6	3	50
B1130-271-000	2	1	45	B1434-027-000	4	2	44	B1913-271-000	4	2	2	B9117-039-000	6	3	46
B1130-541-0A0	12	7	11	B1501-027-000	2	1	36	B2101-271-0A0	10	5	40	B9135-123-0B0	12	7	12
B1137-027-000	2	1	38	B1501-391-000	8	4	3	B2102-271-0A0	10	5	42	D1109-391-FA0	15	8	5
B1137-039-000	2	1	40	B1502-391-AA0	8	4	13	B2103-271-B00	10	5	46	D1109-391-RA0	15	8	29
B1164-012-000	2	1	9	B1502-391-AA0	15	8	8	B2104-271-0A0	10	5	55	D1402-391-DA0	15	8	13
B1166-271-000	2	1	33	B1502-391-BA0	12	7	10-1	B2107-271-0A0	10	5	16	D1420-391-000	12	7	16
B1168-271-0A0	2	1	32	B1505-040-000	8	4	2	B2107-271-000	10	5	17	D1502-391-DA0	15	8	2
B1174-271-000	2	1	31	B1507-040-0A0	8	4	8	B2108-271-000	10	5	18	D1524-391-NA0	15	8	28
B1175-271-000	2	1	27	B1509-012-000	8	4	1	B2109-271-0A0	10	5	32	D1524-391-PA0	15	8	31
B1177-271-000	2	1	30	B1511-040-000	8	4	12	B2110-271-000	10	5	35	D1524-391-QA0	15	8	32
B1178-271-CB0	2	1	15	B1518-040-000	8	4	4	B2114-271-0A0	10	5	7	D1613-391-F00	15	8	6
B1178-391-BB0	2	1	18	B1524-012-0A0	15	8	1	B2115-271-000	10	5	24	D1613-391-R00	15	8	30
B1181-027-000	2	1	35	B1524-012-0B0	15	8	1-1	B2119-271-B00	10	5	21				
B1182-271-000	2	1	25	B1524-040-AA0	15	8	16	B2120-027-0AB	8	4	19	THRUST COLLAR			
B1185-271-000	2	1	42	B1524-040-AB0	15	8	16-1	B2120-271-0A0	10	5	28	スラストカラー			
B1190-271-0A0	10	5	47	B1524-040-CA0	15	8	7	B2122-271-000	10	5	30	CS-0721210-SH	6	3	62
B1190-271-000	10	5	48	B1524-040-CAA	15	8	7-1	B2126-027-000	10	5	59	CS-079061A-SC	10	5	26
B1191-271-000	10	5	49	B1524-040-DA0	15	8	22	B2127-027-000	10	5	60	CS-128101A-SH	10	5	37
B1192-271-000	10	5	50	B1524-040-DB0	15	8	22-1	B2129-271-BA0	10	5	13	CS-147121B-SH	4	2	25
B1196-391-000	2	1	47	B1524-040-EA0	15	8	12	B2130-271-000	10	5	57				
B1201-027-000	4	2	18	B1524-040-EB0	15	8	12-1	B2615-232-000	2	1	16	OIL WICK	油心		
B1201-271-000	4	2	18-1	B1524-391-DA0	8	4	15	B2615-232-000	2	1	19	CQ-2000000-00	2	1	17
B1202-009-0A0	4	2	11	B1524-391-DB0	8	4	15-1	B3101-271-000	2	1	1	CQ-2000000-00	2	1	20
B1203-012-000	4	2	15	B1524-391-DA0	15	8	19	B3104-271-000	2	1	3	CQ-2000000-00	6	3	14
B1206-271-000	4	2	7	B1524-391-DB0	15	8	19-1	B3107-027-000	2	1	6	CQ-2000000-00	6	3	18
B1208-027-000	4	2	6	B1527-391-000	2	1	62	B3108-027-000	2	1	59	CQ-2000000-00	6	3	65
B1209-027-000	4	2	5	B1528-391-000	2	1	61	B3115-552-000	2	1	51	CQ-2020000-00	4	2	12
B1210-040-0B0	4	2	22	B1601-391-B00	8	4	32	B3116-125-000	2	1	54	CQ-2020000-00	4	2	23
B1210-271-0A0	10	5	44	B1602-040-0A0	8	4	30	B3120-125-000	2	1	55	CQ-2020000-00	4	2	28
B1211-226-000	4	2	19	B1604-391-B00	8	4	33	B3121-027-000	2	1	53	CQ-2020000-00	6	3	57
B1212-012-000	4	2	20	B1612-012-0A0	8	4	45	B3122-027-0A0	2	1	49	CQ-2020000-00	8	4	39
B1213-012-000	4	2	21	B1613-040-A0A	15	8	24	B3122-027-000	2	1	51	CQ-3000000-00	2	1	28
B1213-391-000	4	2	31	B1613-040-A0B	15	8	27	B3126-012-000	2	1	58	CQ-3000000-00	4	2	3
B1213-391-000-A	4	2	31-1	B1613-040-B00	15	8	26	B3127-391-000	2	1	60	CQ-3000000-00	4	2	34
B1216-009-0A0	4	2	27	B1613-040-C00	15	8	11	B3128-027-000	2	1	50	CQ-3000000-00	6	3	35
B1218-012-000	4	2	30	B1613-040-D00	15	8	18	B3129-012-A00	2	1	56	CQ-3000000-00	10	5	14
B1233-012-000	4	2	33	B1613-040-E0A	15	8	14	B3132-012-000	2	1	57	CQ-5022000-00	4	2	39
B1235-271-0A0	4	2	16	B1613-040-E0B	15	8	15	B3132-552-000	2	1	57-1				
B1301-027-000	6	3	12	B1613-391-N00	8	4	28	B3305-039-000	2	1	22	NEEDLE	針		
B1302-012-0A0	6	3	13	B1613-391-N00	15	8	21	B3316-271-000	2	1	24	MDB-100B1100	4	2	52
B1302-012-0A0	6	3	64	B1614-040-000	8	4	49	B3351-027-0A0	12	7	1				
B1303-012-0A0	6	3	17	B1618-226-000	8	4	51	B3352-271-0A0	12	7	1-1	NUT	ナット		
B1304-012-A00	6	3	15	B1619-226-000	8	4	50	B3401-027-0B0	11	6	3	NM-6080721-SE	11	6	11
B1304-012-A00	6	3	66	B1622-391-000	8	4	54	B3401-027-000	11	6	4	NS-6060310-SP	2	1	8
B1305-012-0A0	6	3	3	B1622-391-000-A	8	4	55	B3402-027-000	11	6	5	NS-6080210-SP	12	7	6
B1305-012-0B0	6	3	2	B1628-040-000	8	4	56	B3403-027-000	11	6	12	NS-6110310-SP	8	4	7
B1305-012-0C0	6	3	1	B1630-027-000	10	5	11	B3404-027-000	11	6	7	NS-6110310-SP	10	5	10
B1306-012-0A0	6	3	5	B1631-012-B00	10	5	12	B3405-027-0A0	11	6	14	NS-6680410-SP	8	4	41
B1307-012-AA0	6	3	8	B1632-040-000	8	4	59	B3406-027-000	11	6	17	NS-6680410-SP	8	4	48
B1307-012-AB0	6	3	7	B1701-040-0A0	8	4	42	B3406-391-0A0	8	4	17	NS-6680410-SP	8	4	53
B1307-012-BA0	6	3	10	B1702-012-000	8	4	44	B3407-027-000	11	6	9	NS-6680410-SP	10	5	20
B1308-012-0B0	6	3	20	B1704-012-0A0	8	4	38	B3408-027-000	11	6	6	NS-6700420-SP	10	5	19
B1309-012-0B0	6	3	27	B1706-012-0B0	8	4	36	B3409-027-000	11	6	8	NS-6740510-SP	8	4	35
B1310-012-000	6	3	19	B1801-391-B00	6	3	61	B3409-040-000	8	4	21				
								B3410-027-000	11	6	15				

Part No. 品番	Page 頁	Item 項目	Ref. No.	Part No. 品番	Page 頁	Item 項目	Ref. No.	Part No. 品番	Page 頁	Item 項目	Ref. No.	Part No. 品番	Page 頁	Item 項目	Ref. No.
NS-6060310-SP	2	1	8	SD-1150701-SP	8	4	18	SS-7060610-SP	10	5	58	SS-8151150-SP	4	2	4
NS-6080210-SP	12	7	6					SS-7080510-SP	4	2	53	SS-8151150-SP	4	2	14
NS-6110310-SP	8	4	7	SCREW	ネジ			SS-7080510-TP	4	2	53	SS-8151150-SP	6	3	16
NS-6110310-SP	10	5	10	SK-3623200-SC	11	6	20	SS-7081310-SP	4	2	57	SS-8151150-SP	10	5	45
NS-6680410-SP	8	4	41	SM-9081620-SE	11	6	10	SS-7090510-SP	2	1	5	SS-8151350-SP	4	2	17
NS-6680410-SP	8	4	48	SS-1060610-SP	2	1	39	SS-7090510-SP	12	7	5	SS-8151550-SP	4	2	32
NS-6680410-SP	8	4	53	SS-2060510-SP	2	1	7	SS-7090520-SP	2	1	44	SS-8660330-SP	10	5	41
NS-6680410-SP	10	5	20	SS-2060510-SP	2	1	41	SS-7090520-SP	12	7	7	SS-8660530-TP	4	2	26
NS-6700420-SP	10	5	19	SS-2090710-SP	2	1	4	SS-7091110-SP	2	1	2	SS-8660530-TP	8	4	14
NS-6740510-SP	8	4	35	SS-2090710-SP	2	1	46	SS-7091110-SP	10	5	2	SS-8660530-TP	12	7	10-2
				SS-2090710-SP	10	5	56	SS-7091110-SP	14	8	4	SS-8660530-TP	15	8	3
COTTER PIN	割ピン			SS-2110920-TP	2	1	66	SS-7110710-SP	2	1	48	SS-8660530-TP	15	8	9
PD-0201500-00	8	4	27	SS-3090610-SP	6	3	33	SS-7110710-SP	4	2	47	SS-8660610-TP	4	2	10
PD-0201500-00	10	5	53	SS-4080310-SP	12	7	8	SS-7111120-SP	2	1	12	SS-8660810-TP	6	3	4
				SS-4080620-TP	8	4	29	SS-7111410-SP	8	4	20	SS-8660810-TP	6	3	6
SNAP RING	Eリング			SS-4090810-SP	8	4	31	SS-7111410-SP	8	4	37	SS-8660810-TP	6	3	9
RE-0500000-K0	8	4	24	SS-6060210-SP	2	1	69	SS-7111410-SP	8	4	46	SS-8660810-TP	6	3	11
RE-0500000-K0	10	5	31	SS-6080720-SP	12	7	3	SS-7121410-SP	10	5	33	SS-8660810-TP	10	5	43
RE-0600000-K0	4	2	46	SS-6090410-TP	12	7	14	SS-7150940-SP	6	3	37	SS-8681130-SP	4	2	9
				SS-6090510-SP	2	1	34	SS-7681750-TP	4	2	8	SS-9121340-CP	10	5	36
PLUG	栓			SS-6090610-SP	10	5	6	SS-8090410-SP	2	1	14	SS-9181520-CP	6	3	21
TA-0300503-R0	4	2	13	SS-6090620-SP	2	1	21	SS-8090410-SP	10	5	27	SS-9181520-CP	6	3	23
TA-0300503-R0	4	2	29	SS-6090620-SP	2	1	29	SS-8090540-SP	12	7	15	SS-9181520-CP	6	3	28
TA-0300503-R0	6	3	58	SS-6090910-SP	8	4	16	SS-8090670-SP	2	1	52	SS-9201813-CN	11	6	13
TA-1250705-R0	2	1	9	SS-6090910-SP	12	7	2	SS-8110510-SP	2	1	63	SS-9201813-CN	11	6	16
				SS-6092120-SP	4	2	55	SS-8110510-SP	6	3	63	SS-9660720-SP	10	5	8
HINGE SCREW	段ネジ			SS-6110460-TP	6	3	45	SS-8110510-SP	12	7	10				
SD-0460571-CP	8	4	6	SS-6110460-TP	6	3	49	SS-8110750-SP	2	1	37	WASHER	座金		
SD-0460571-SD	8	4	6	SS-6110620-TP	6	3	43	SS-8110750-SP	2	1	64	WP-0371016-SD	10	5	3
SD-0640231-SP	10	5	25	SS-6110620-TP	6	3	55	SS-8110750-SP	6	3	40	WP-0480856-SP	10	5	34
SD-0700251-SP	8	4	11	SS-6111110-SP	6	3	67	SS-8111010-TP	6	3	60	WP-0480856-SP	10	5	51
SD-0790361-SP	8	4	17-2	SS-6111110-SP	10	5	9	SS-8150410-SP	4	2	41	WP-0501016-SP	8	4	57
SD-0790361-SP	8	4	18	SS-6111440-SP	6	3	60	SS-8150410-TP	10	5	39	WP-0851216-SC	11	6	21
SD-0920321-SP	8	4	5	SS-6111620-SP	6	3	52	SS-8150510-TP	10	5	38	WZ-1052010-KP	8	4	59
SD-0950802-SH	8	4	52	SS-6121610-SP	8	4	43	SS-8150710-SN	11	6	19				
SD-0950802-SH	10	5	23	SS-6121610-SP	10	5	29	SS-8150710-SP	4	2	24				
SD-0950806-SP	10	5	22	SS-6151440-SP	8	4	25	SS-8150710-SP	4	2	37				
SD-1020701-SP	8	4	40	SS-6160680-SP	6	3	22	SS-8150710-SP	4	2	51				
SD-1020961-SP	8	4	47	SS-6160680-SP	6	3	29	SS-8150710-SP	8	4	9				
SD-1021251-SP	8	4	58	SS-6661110-SP	8	4	60	SS-8150710-SP	10	5	15				
B3101-271-00A	2	1	71												
B3104-271-00A	2	1	72												
B1103-271-00A	2	1	73												
B1130-271-00A	2	1	74												
B1196-391-00A	2	1	75												
B1213-391-00A	4	2	58												
B2104-271-0AA	10	5	61												

JUKI

JUKI CORPORATION

HEAD OFFICE

2-1, 8-CHOME, KOKURYO-CHO,
CHOFU-CITY, TOKYO, JAPAN

LEATHER & HEAVY MATERIAL
EQUIPMENT DIVISION (LHD)

BUSINESS OFFICE

23-3, KABUKI-CHO 1-CHOME,
SHINJUKU-KU, TOKYO 160, JAPAN

CABLE : JUKI TOKYO

TELEX : J22967, 232-2301

PHONE : 03(205)1081

JUKI 株式会社

〒182 東京都調布市国領町8-2-1
TEL. 03-480-1111(代表)

皮革厚物事業部(LHD)

〒160 東京都新宿区歌舞伎町1-23-3
TEL. 03-205-1081(ダイヤルイン)

