

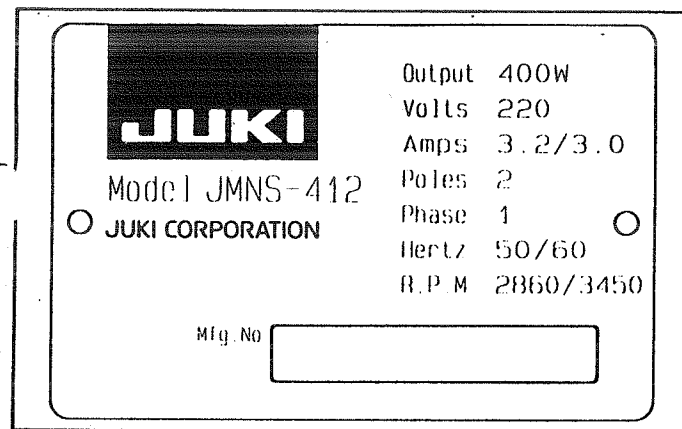
**JMNS-412**

**INSTRUCTION MANUAL AND PARTS LIST**

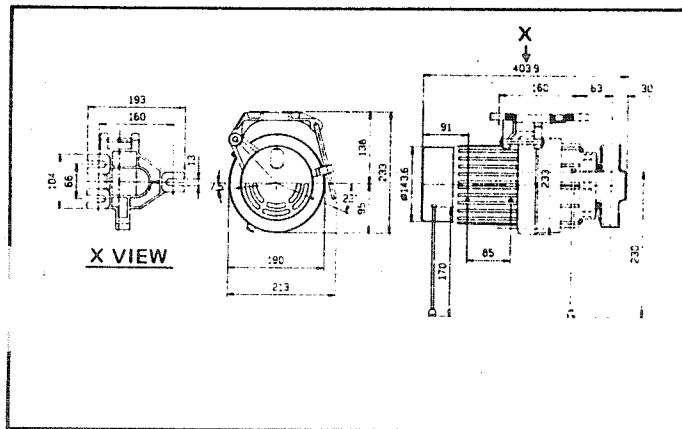
**No.1001-00**  
**29160900**

**1. INSTALLATION:**

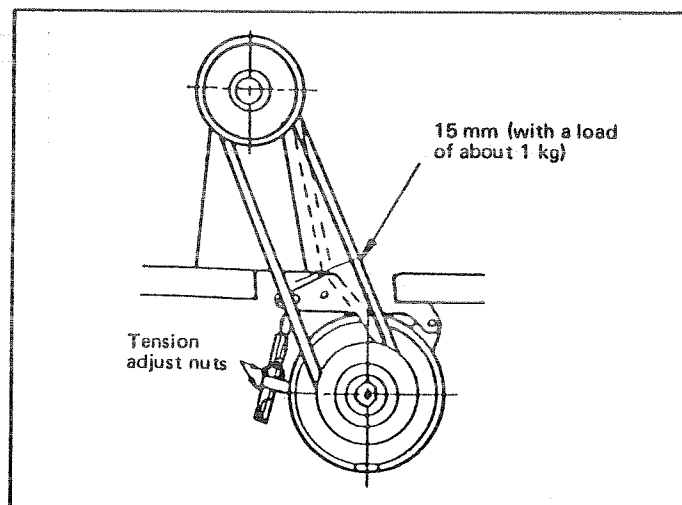
**1-1. MOTOR ASSEMBLY:**



(Fig. 1)



(Fig. 2)



(Fig. 3)

(1) Before motor installation, be sure the list of voltage, phase and frequency agree with the information on the motor nameplate (see Fig. 1). Current capacity must be sufficient to maintain rated voltage at the motor terminals under all conditions.

(2) Mount the motor on the table (see Fig. 2).

(3) Installing the belt:

- (a) The belt distance, between sewing machine pulley and motor pulley, must be parallel.
- (b) The belt tension should be adjusted by turning the tension adjust nuts to change height of the motor, so that the belt sinks down by about 15 mm when it is depressed by hand at the center of the belt span (see Fig. 3). If the belt tension is not tight, speed is unstable at low-speed or medium-speed operation, and the needle will not stop exactly in position.

**2. HANDLING INSTRUCTIONS:**

- (1) Securely tighten the motor pulley clamp nut. Otherwise, the needle stop position may become inaccurate or unusual noise may be generated during operation.
- (2) Slightly higher belt tension is recommended (refer to the section 1-1, (3) Installing the belt:).
- (3) When the power is turned on or off, keep your foot away from the pedal. When a single-phase motor is used, do not operate the pedal after the power is turned on and until the motor comes to a steady speed (for approximately 5 seconds).

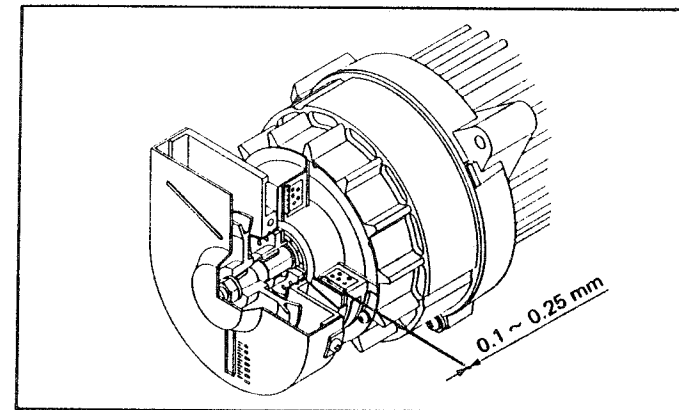
**3. MAINTENANCE & REPLACEMENT**

Caution: Be sure to turn off the power, before doing any maintenance or replacements.

**3-1. CLEAN AIR FILTER:**

Periodically clean the filters installed in the motor end cover, since the clogged filter may cause the motor to general heat.

**3-2. ADJUSTMENT OF BRAKE AIR GAP: (See Fig 4)**



(Fig. 4)

- (1) The air gap which is between brake disk and brake coil slot should be under 0.1 mm ~ 0.25 mm.
- (2) If the motor has been used more than 5 years and the cork of the brake has been worn down. Please ask the supplier to change the brake.

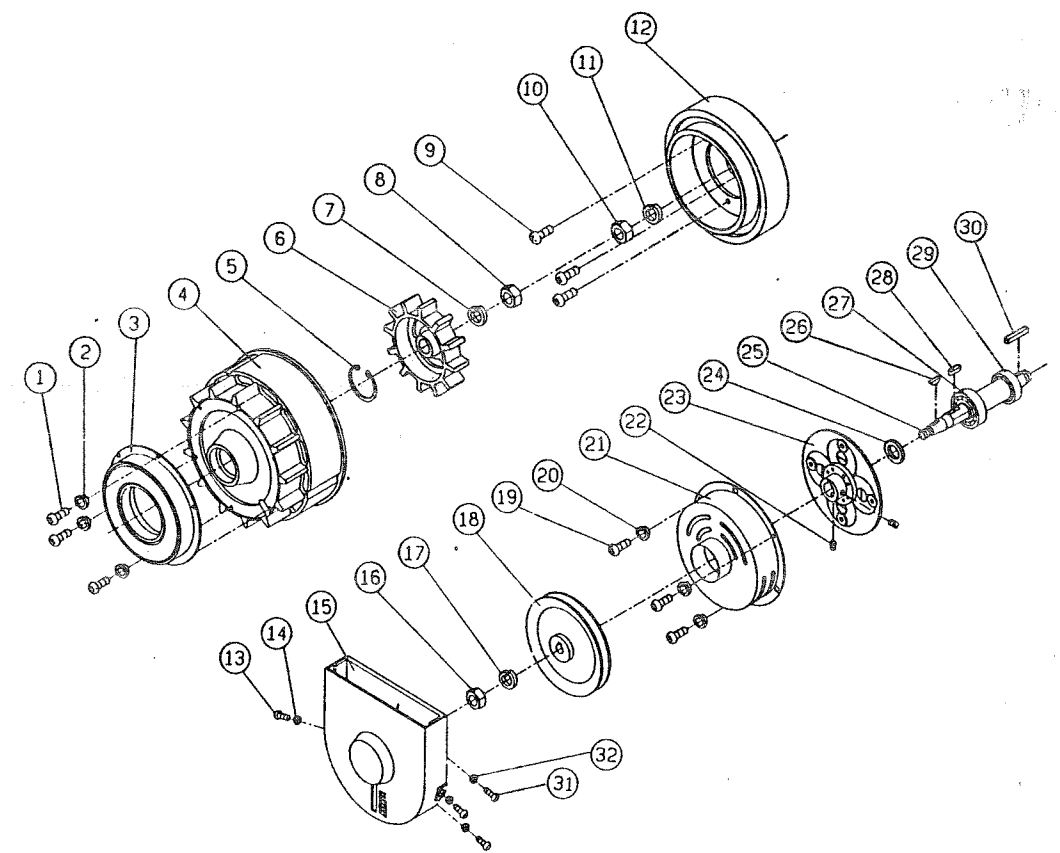
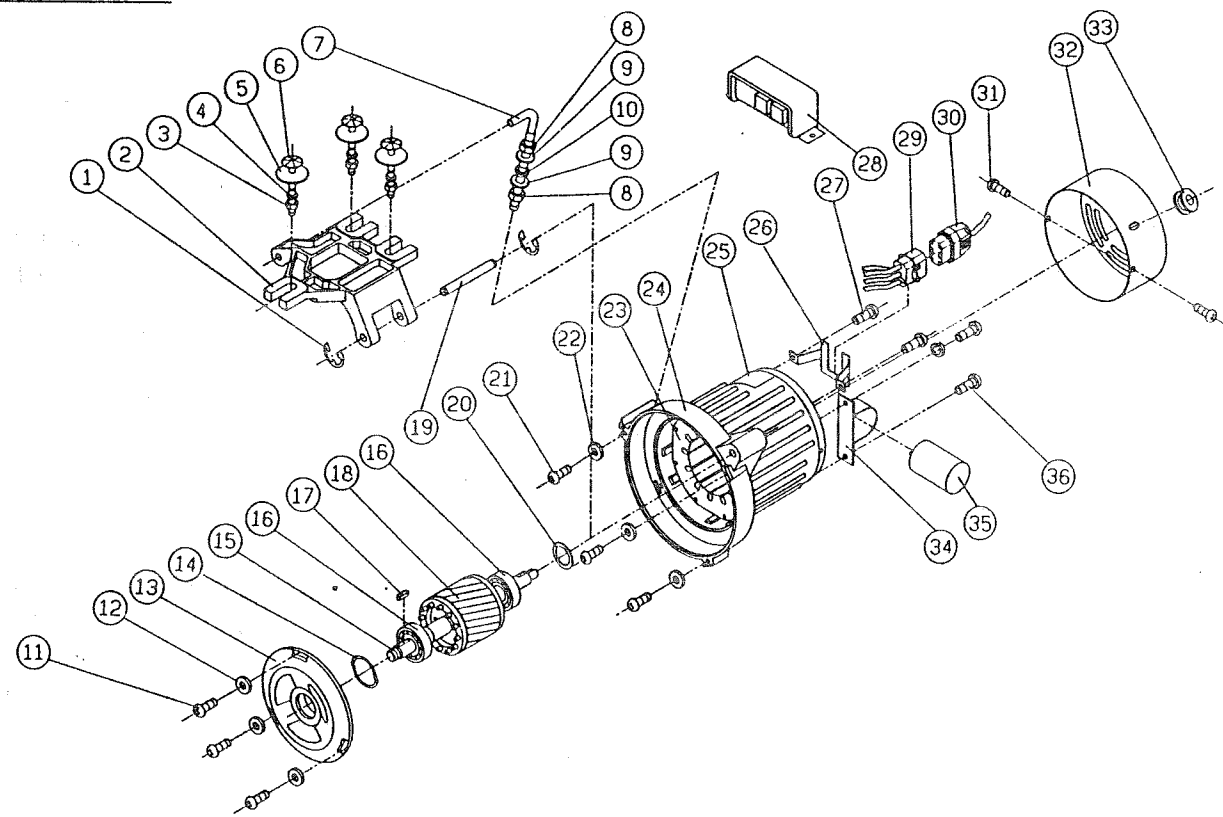


**JUKI CORPORATION**  
HEAD OFFICE  
8-2-1 KOKURYO-CHO,  
CHOFU-CITY, TOKYO 182, JAPAN  
BUSINESS OFFICE  
1-23-3 KABUKI-CHO  
SHINJUKU-KU, TOKYO 160, JAPAN  
PHONE : 03(3205)1188, 1189, 1190  
FAX : 03(3202)8260, 03(3205)0121

To order or for further information, please contact :

Please do not hesitate to contact our distributors or agents in your area for further information when necessary.  
\* The description covered in this instruction manual and parts list is subject to change for improvement of the commodity without notice.

**PARTS LIST**



REF. NO.	NOTE	PART NO.	DESCRIPTION	AMT.
1		MTSE-8213000	E-SHAPED LOCK RINGS	2
2		MTSE-8103000	SLIDE BASE	1
3		MTSE-8604000	NUT	3
4		MTSE-8603000	SPRING WASHER	3
5		MTSE-8605000	WASHER	3
6		MTSE-8602000	MOUNTING BOLTS	3
7		MTSE-8214001	ADJUSTMENT BOLT	1
8		MTSE-8155000	NUT	2
9		MTSE-8215000	SPRING WASHER	2
10		MTSE-8216000	WASHER	1
11		MTSE-8114002	SCREW WITH WASHER	3
12		MTSE-8115001	WASHER	3
13		MTSE-8115000	INTERMEDIATE BRACKET	1
14		MTSE-8403000	PRELOAD SPRING	1
15		MTSE-8421002	ROTOR SHAFT	1
16		MTSE-8412002	BEARING 6203	2
17		MTSE-8116001	KEY	1
18		MTSE-8420031	74 x 75 ROTOR	1
19		MTSE-8212002	PIN	1
20		MTSE-8413001	CUSHION PLATE	1
21		MTSE-8218002	SCREW WITH WASHER	3
22		MTSE-8155001	THICKNESS WASHER	3
23		MTSE-8310-031	74 x 75 STATOR	1
24		MTSE-8127000	MOTOR HOUSING	1
25		MTSE-8228000	RATING PLATE	1
26		MTSE-8515001	REVERSE FIXTURE	1
27		MTSE-8513002	SCREW WITH WASHER	2
28		MTSE-8621004	SWITCH WITH CABLE	1
29		MTSE-8340311	REVERSE SOCKET	1
30		MTSE-8340301	REVERSE PLUG	1
31		MTSE-8513003	SCREW WITH WASHER	2
32		MTSE-8204000	END COVER	1
33		MTSE-8524003	RUBBER SEAL	1
34		MTSE-8512002	CAPACITOR SADDLE	1
35		MTSE-8510212	CAPACITOR	1
36		MTSE-8513002	SCREW WITH WASHER	2

REF. NO.	NOTE	PART NO.	DESCRIPTION	AMT.
1		MTSE-8404010	SCREW	3
2		MTSE-8604000	WASHER	3
3		MTSE-8202000	BRAKE COIL SLOT	1
4		MTSE-8002000	FRONT COVER	1
5		MTSE-8016000	RETAINING RING	1
6		MTSE-8013000	MAGNETIC POLE	1
7		MTSE-8187001	WASHER	1
8		MTSE-8188000	NUT	1
9		MTSE-8513002	SCREW WITH WASHER	3
10		MTSE-8188000	NUT	1
11		MTSE-8402000	WASHER	1
12		MTSE-8202000	FLYWHEEL COPPER	1
13		MTSE-8021100	SCREW	2
14		MTSE-8002200	WASHER	2
15		MTSE-8021022	FULL BELT GUARD	1
16		MTSE-8155002	NUT	1
17		MTSE-8216000	WASHER	1
18		(Refer to EC-10 Instruction Manual.)	PULLEY	1
19		MTSE-8404010	SCREW	3
20		MTSE-8604000	WASHER	3
21		MTSE-8202100	BRAKE COVER	1
22		MTSE-8016006	SCREW	2
23		MTSE-8206000	BRAKE DISK	1
24		MTSE-8300000	COPPER WASHER	1
25		MTSE-8014000	SHAFT	1
26		MTSE-8166003	KEY	1
27		MTSE-8015000	BEARING 6004	1
28		MTSE-8166001	KEY	1
29		MTSE-8412002	BEARING 6203	1
30		MTSE-8167001	KEY	1
31		MTSE-8021400	WASHER	1
32		MTSE-8021500	SCREW	1

