

# Control Equipment for Industrial Sewing Machine

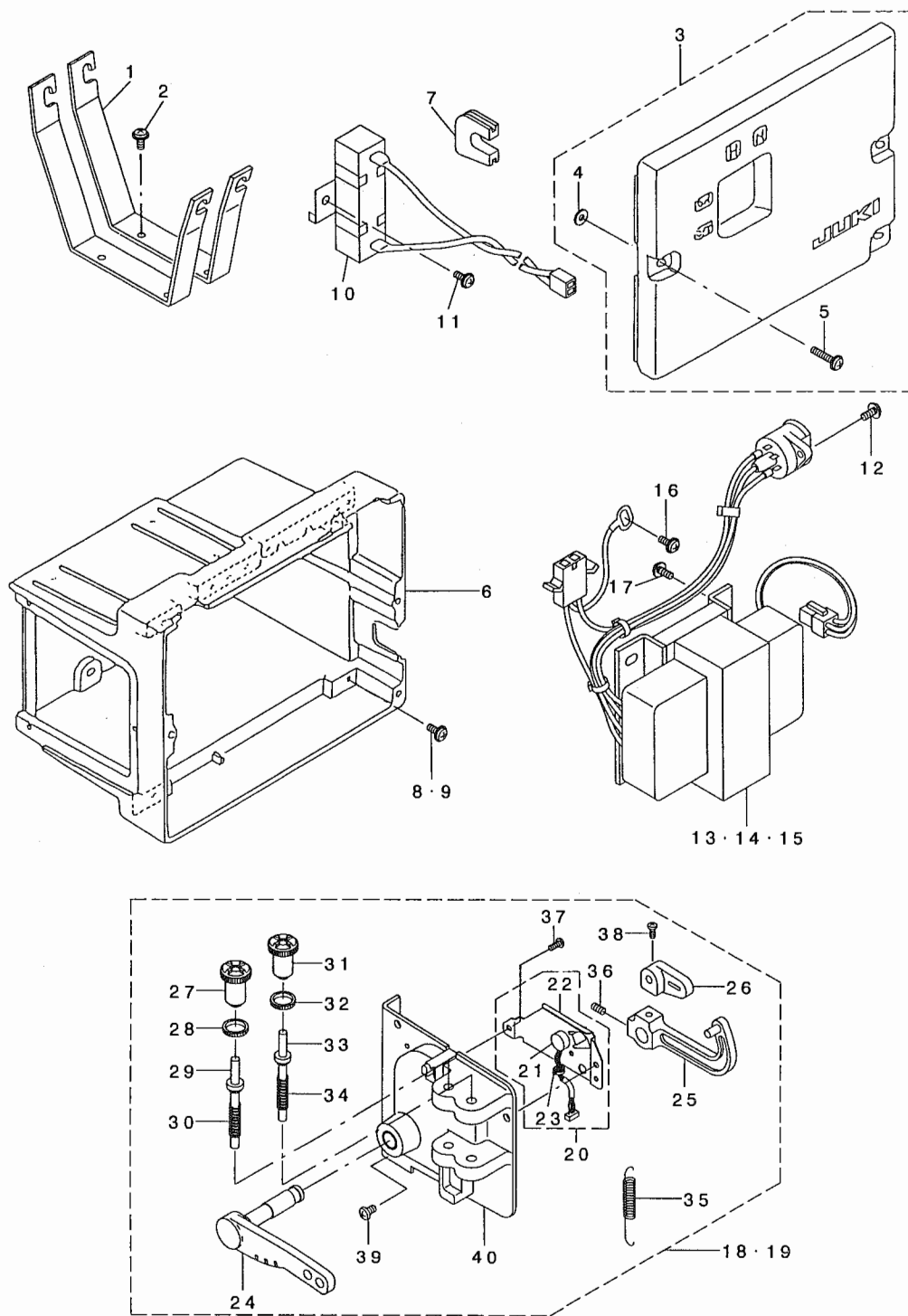
## EC-10A

### PARTS LIST

29173705

No.1091-01

#### 1. PSC BOX COMPONENTS



REF. NO	NOTE	PART NO.	DESCRIPTION	Qty
1	#01	M8601-435-AAO	MAIN PCB A ASM.	1
2	#02	M8601-435-BAO	MAIN PCB B ASM.	1
3		M9601-435-000	IC (UPD78212)	(1)
4		HL-0145900-00	IC (UPC78M05AHF)	(2)
5		HL-0132400-00	IC (M51957BFF)	(1)
6		HL-0084700-00	IC (UPC324G)	(1)
7		HL-0063200-00	IC (UPC393G)	(2)
8		HL-0131000-00	IC (UPC358G2)	(1)
9		HT-0044000-00	TRANSISTOR (2SD1795)	(1)
10	#01	HT-0044300-00	MOS FET (2SK1307)	(2)
11	#02	HT-0044300-00	MOS FET (2SK1307)	(3)
12		HT-0044200-00	MOS FET (2SK1306)	(3)
13		HT-0044400-00	TRANSISTOR (2SC3739)	(1)
14		HT-0040500-00	TRANSISTOR (RN1502)	(5)
15		HT-0028800-00	TRANSISTOR (RN1406)	(1)
16		HG-0056400-00	DIODE BRIDGE (S1VB20)	(1)
17		HG-0056300-00	DIODE BRIDGE (RBV1506)	(1)
18		HG-0052200-00	DIODE (SC015-2)	(7)
19	#01	HG-2674014-0P	DIODE (U05E)	(1)
20	#02	HG-2674014-0P	DIODE (U05E)	(2)
21		HG-0037600-00	DIODE (FMM-22S)	(1)
22		HG-0056500-00	DIODE (RB420D)	(2)
23		HG-0057000-00	ZENER DIODE (RD10MB)	(1)
24		HG-0037400-00	LIGHT EMITTING DIODE, RED	(1)
25		HC-0373033-20	CAPACITOR 3300MF	(1)
26		HC-0373010-10	CAPACITOR 100MF	(1)
27		HC-0406033-20	CAPACITOR 3300MF	(2)
28		HC-0377033-S0	CAPACITOR 0.33MF	(2)
29		HC-0216010-S0	CAPACITOR 0.1MF	(14)
30		HC-0365110-20	CAPACITOR 1000PF	(3)
31		HC-0378110-10	CAPACITOR 100PF	(1)
32		HC-0379130-00	CAPACITOR 30PF	(2)
33		HC-0216010-T0	CAPACITOR 0.01MF	(12)
34		HR-0223022-0A	RESISTOR 22 OHM 2W	(1)
35		HR-0223047-2A	RESISTOR 4.7K OHM 2W	(1)
36		HR-0291010-00	RESISTOR 10 OHM 1W	(3)
37		HR-0291047-20	RESISTOR 4.7K OHM 1W	(1)
38		HR-0342010-10	RESISTOR 100 OHM	(1)
39		HR-0342056-10	RESISTOR 560 OHM	(1)
40		HR-0342010-20	RESISTOR 1K OHM	(11)
41		HR-0342020-20	RESISTOR 2K OHM	(3)
42		HR-0342022-20	RESISTOR 2.2K OHM	(11)
43	#01	HR-0342047-20	RESISTOR 4.7K OHM	(31)
44	#02	HR-0342047-20	RESISTOR 4.7K OHM	(32)
45		HR-0342051-20	RESISTOR 5.1K OHM	(1)
46		HR-0342010-30	RESISTOR 10K OHM	(8)
47		HR-0342036-10	RESISTOR 360 OHM	(2)
48		HR-0342075-10	RESISTOR 750 OHM	(1)
49		HR-0342056-20	RESISTOR 5.6K OHM	(1)
50		HR-0342068-20	RESISTOR 6.8K OHM	(1)
51	#01	HR-0342047-30	RESISTOR 47K OHM	(6)
52	#02	HR-0342047-30	RESISTOR 47K OHM	(7)
53		HR-0342015-40	RESISTOR 150K OHM	(1)
54		HR-0343100-10	RESISTOR 1.00K OHM	(1)
55		HR-0343113-00	RESISTOR 113 OHM	(1)
56		HR-0343121-00	RESISTOR 121 OHM	(4)
57		HR-0343243-00	RESISTOR 243 OHM	(4)
58		HR-0343374-00	RESISTOR 374 OHM	(4)
59		HR-0343487-00	RESISTOR 487 OHM	(4)
60		HR-0343976-00	RESISTOR 976 OHM	(4)
61		HR-0343432-00	RESISTOR 432 OHM	(1)
62		HR-0343750-10	RESISTOR 7.50K OHM	(1)
63		HR-0343237-20	RESISTOR 23.7K OHM	(1)
64		HR-0343316-20	RESISTOR 31.6K OHM	(2)
65		HR-0343590-20	RESISTOR 59.0K OHM	(2)
66		HR-0343102-10	RESISTOR 1.02K OHM	(1)
67		HR-0343255-10	RESISTOR 2.55K OHM	(1)
68		HR-0177051-00	RESISTOR 51 OHM 5W	(1)
69		HR-0277010-3A	ADJUSTABLE RESISTOR	(4)
70		HN-0003700-00	ZNR 22V	(4)
71		HN-0003700-0B	ZNR 220V	(1)
72		HA-0038800-00	SWITCH	(2)
73		E9646-252-G00	LEVER	(2)
74		HA-0018200-40	DIP SWITCH 4P	(1)
75		HA-0018200-80	DIP SWITCH 8P	(4)
76		HY-0008900-00	CERAMIC RESONATOR 12MHZ	(1)
77		M9603-110-000	6-POLE CONNECTOR	(1)
78	#02	HK-0346000-20	HEADER 2P (WHITE)	(1)
79		HK-0346000-2B	HEADER 2P (YELLOW)	(1)
80		HK-0346000-40	HEADER 4P (WHITE)	(1)
81		HK-0038100-50	STRAIGHT HEADER	(1)
82		HK-0038100-70	7-POLE STRAIGHT PLUG	(1)
83		HK-0063200-7B	7 POLE CONNECTOR	(1)
84		HK-0038101-00	10-POLE STRAIGHT PLUG	(1)
85		HK-0346001-40	14-POLE CONNECTOR	(1)
86		SL-4030881-SF	SCREW M3 L=8	(2)
87		SL-4031081-SF	SCREW M3 L=10	(3)
88		M8001-430-000	RADIATOR PLATE	(1)
89		M8503-435-0A0	CLUTCH BRAKE CORD ASM.	(1)
90	#02	M8504-435-0A0	RADIATOR RESISTOR ASM. (FL)	(1)

NOTE

#01...FOR STANDARD PART  
#02...FOR PEDAL PRESSER LIFTER

REF. NO	NOTE	PART NO.	D E S C R I P T I O N	Qty
1		M3002-430-000	BOX SUSPEND METAL FITTINGS	2
2		SL-4041201-CF	SCREW M4 L=12	4
3		M8503-430-0A0	BOX COVER ASM.	1
4		M8002-430-000	STOPPER	(3)
5		SL-4042091-SC	SCREW M4X0.7 L=20	(3)
6		M3001-430-000	PSC BOX	1
7		M3301-430-000	RUBBER BUSHING	1
8	#04	SL-4041081-SF	SCREW M4 L=10	5
9	#05	SL-4041081-SF	SCREW M4 L=10	6
10		M8506-430-0A0	RADIATOR RESISTOR ASM.	1
11		SL-4041081-SF	SCREW M4 L=10	1
12		SL-4031081-SF	SCREW M3 L=10	2
13	#01	M8502-430-AA0	TRANSFORMER ASM., A	1
14	#02	M8502-430-BA0	TRANSFORMER ASM., B	1
15	#03	M8502-435-CA0	TRANSFORMER ASM., C	1
16		SL-4041081-SF	SCREW M4 L=10	1
17		SL-4041081-SF	SCREW M4 L=10	4
18	#04	M8505-435-AA0	PEDAL SENSOR UNIT A ASM.	1
19	#05	M8505-435-BA0	PEDAL SENSOR UNIT B ASM.	1
20		M8507-430-0A0	SENSOR VR PLATE ASM.	(1)
21		M8508-430-0A0	SENSOR VR ASM.	(1)
22		M3210-430-000	SENSOR PLATE	(1)
23		EA-9500B01-00	CABLE BAND	(1)
24		M3205-301-000	PEDAL LEVER	(1)
25		M2003-110-000	PEDAL LINK	(1)
26		M2004-110-000	VOLUME LINK	(1)
27		M4012-351-000	ADJUST SCREW	(1)
28		M2010-110-000	ADJUST NUT	(1)
29		M4008-351-000-A	SPRING SHAFT A	(1)
30		M4011-351-000	SPRING B	(1)
31	#05	M4012-351-000	ADJUST SCREW	(1)
32	#05	M2010-110-000	ADJUST NUT	(1)
33	#05	M4009-351-000-A	SPRING SHAFT B	(1)
34	#05	M4011-351-000	SPRING B	(1)
35		M3202-430-000	SPRING	(1)
36		SM-8040802-TP	SCREW M4X8	(2)
37		SL-4030681-SF	SCREW M3 L=6	(2)
38		SM-4030801-SF	SCREW M3X0.5 L=8	(1)
39		SL-4041081-SF	SCREW M4 L=10	(1)
40		M3201-435-000	PEDAL SENSOR BASE	(1)

NOTE #01...FOR 220~240V  
#02...FOR 100,200V  
#03...FOR 110,220V  
#04...FOR STANDARD PART  
#05...FOR PEDAL PRESSER LIFTER

## 2. MAIN CIRCUIT BORD COMPONENTS

