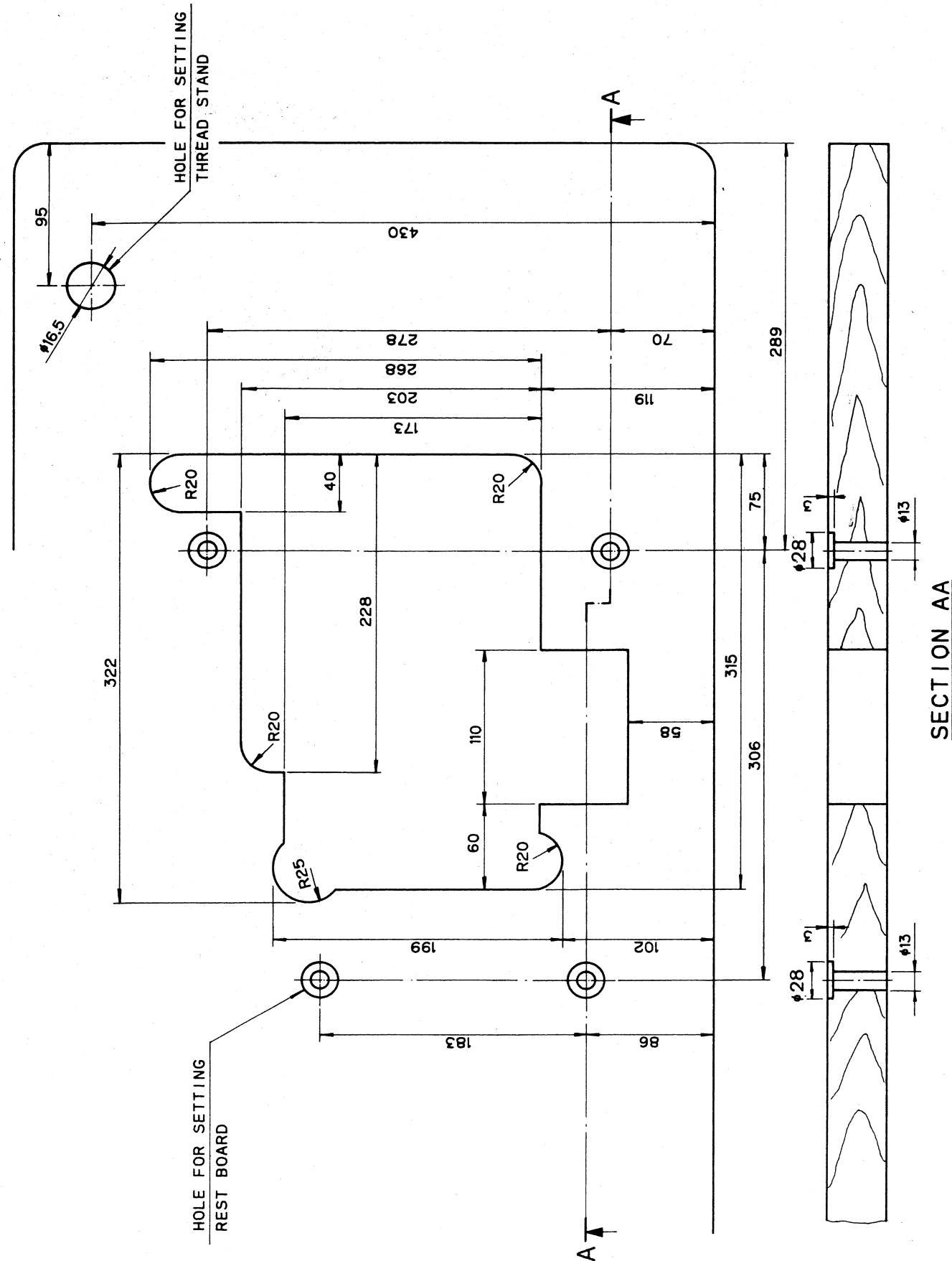


TABLE CUT-OUT (Semi-submerged installation)



EK1 SERIES

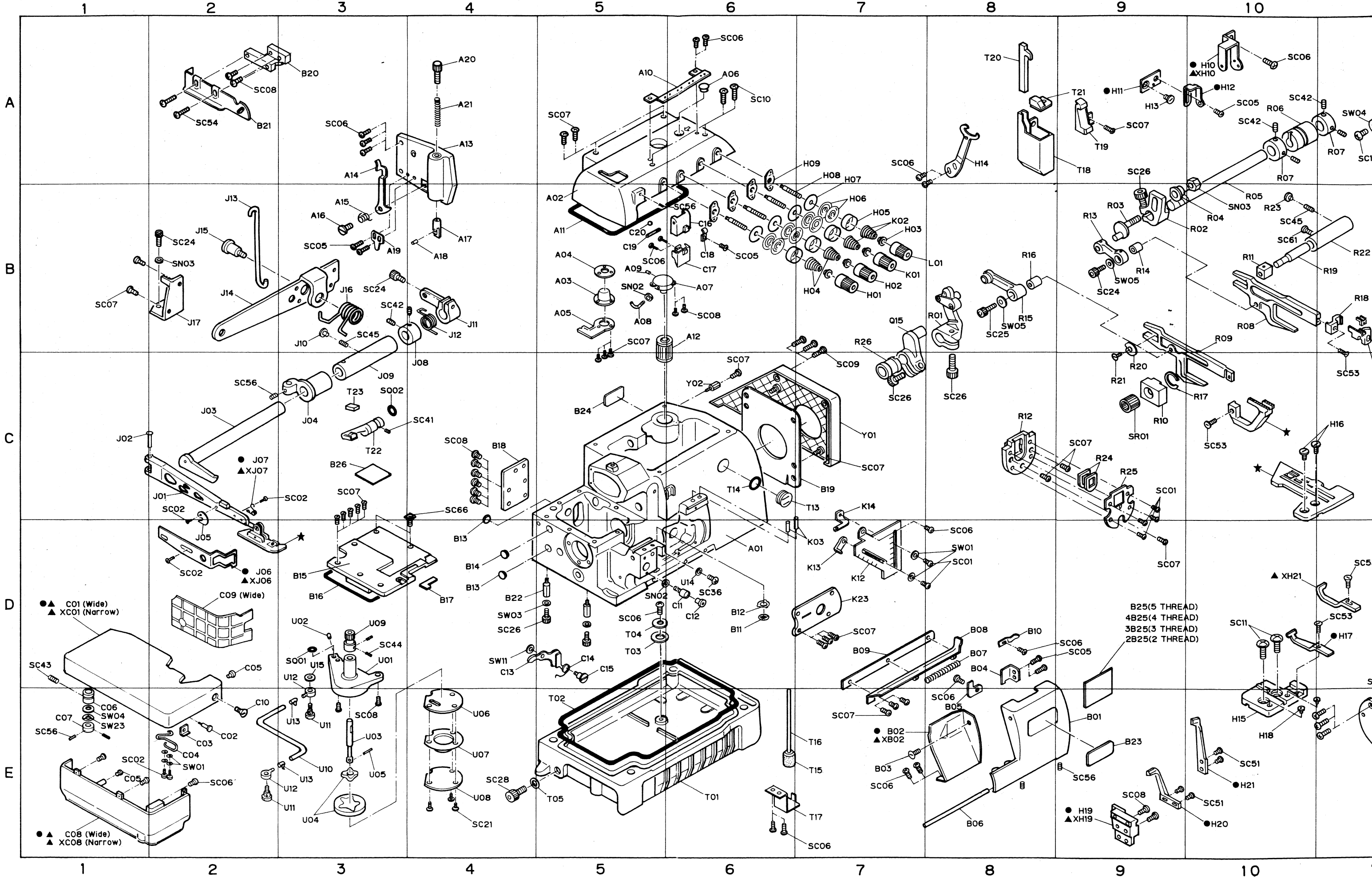
GAUGE PARTS CONVERSION CHART

May, 1994

MODEL	GAUGE	NG SW										DCx27	
EK1-3	504M01-204	4	EK800	ED575	EH445	EP253 /EF371	ES62	EL26	EG131	F14	K06	#11	
	505M12-204	203	EK783	ED569	EH442	EP991 /EF993	ES67	↑	↑	↑	↑	#9	
		204	EK784	↑	↑	↑	↑	↑	↑	↑	↑	↑	
504F21-201	1.5	EK934	ED290	↑	EP152 /EF525	ES62	↑	↑	↑	↑	↑		
EK1-4	514M05-325	324	EK809	ED575	EH445	EP253 /EF374	↑	↑	EG142	HF14	HK06	#11	
		325	EK810	↑	↑	↑	↑	↑	↑	↑	↑	↑	
	514M41-324	2	EK805	ED574	↑	EP730 /EF732	↑	↑	↑	↑	↑	↑	
EK1-5	516M01-234	3	EK838	ED579	EH492	EP504	ES42	↑	EG153	F14	K06	↑	
	516M02-234	3	↑	↑	↑	EP909	↑	↑	↑	↑	↑	↑	
	516M03-255	5	EK986	ED581	EH500	EP502	ES42	↑	EG155	↑	↑	↑	
	516X01-356	355	EK853	ED582	EH495	EP955	ES47	EL24	↑	HF14	HK06	*	
		356	EK854	↑	↑	↑	↑	↑	↑	↑	↑	↑	*
	516M31-255	234	EK981	ED002	EH957	EP508	ES42B	EL26	EG153	F14	K06	#11	
255		EK986	ED003	↑	EP509	↑	↑	EG155	↑	↑	↑		
EK1-6	516M71-334	3	EK989	ED581	EH497	EP233	ES42	↑	EG333	HF14	HK06	↑	

*DCx27 #21
DCx1 #21

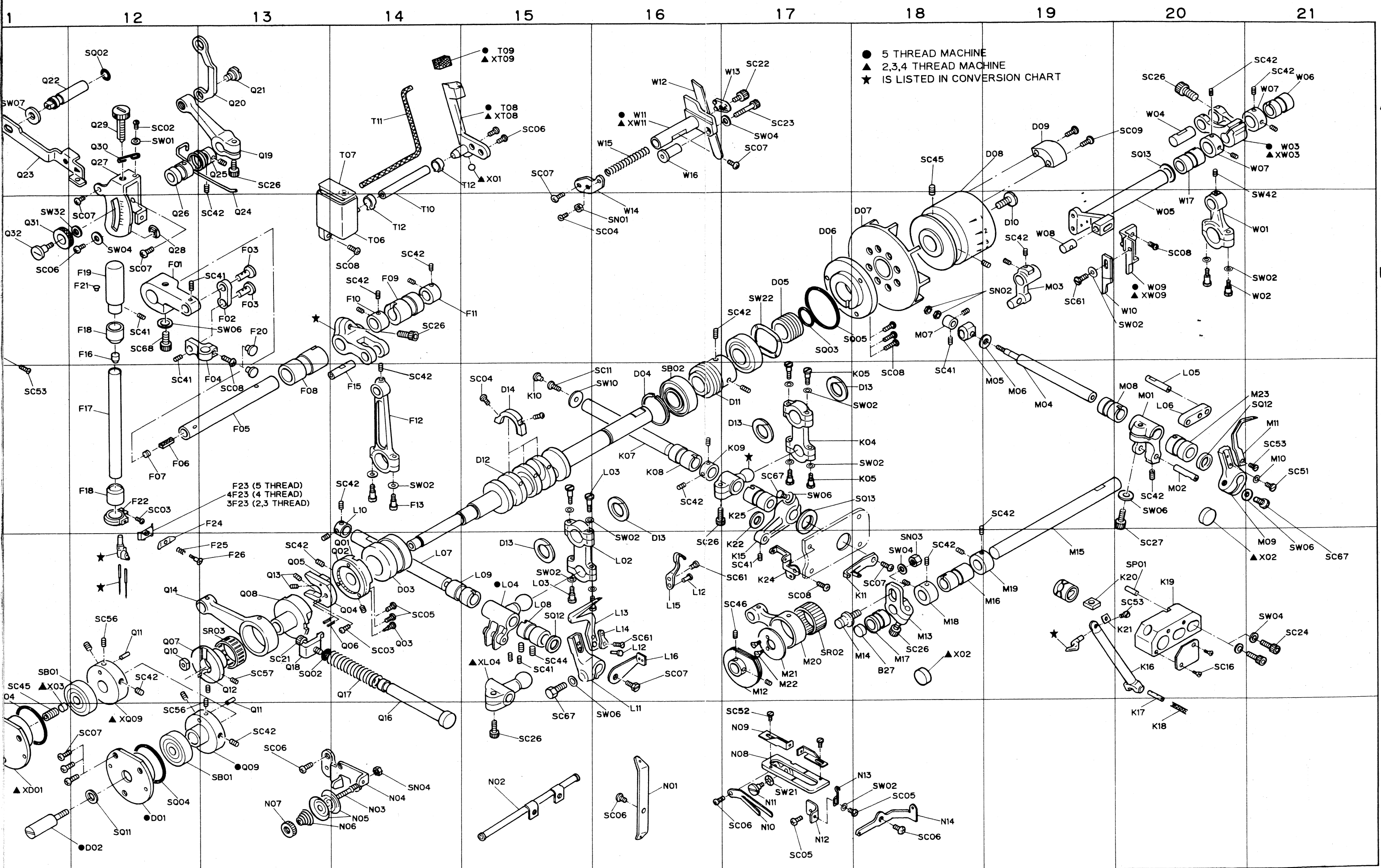
Number of threads 2:2 threads 3:3 threads 4:4 threads 5:5 threads 6:6 threads	Applications 0: Plain seaming 1: Blind hemming 2: Turn-up/down hemming 3: Shirring 4: Attaching tape 5: Backlatching 6: Attaching zipper 7: Others	Design serial NO. EKI-3 505 M 1 2 - 2 0 4	Needle gauge 0: Single needle 2: 2mm 3: 3mm 5: 5mm
Stitch type 503: Serging 504: Plain seaming 505: Blind hemming 512: Single thread seam 514: Double thread seam 516: Safety stitch	Material thickness F: Fine~Light M: Light~Medium H: Heavy X: Extra heavy	Sewing capacity 2: Standard lift 3: High lift	Seam width 1: 1.5mm 3: 3mm 4: 4mm 5: 5mm 6: 6mm



● ▲ C01 (Wide)
 ▲ XCO1 (Narrow)

B25(5 THREAD)
 4B25(4 THREAD)
 3B25(3 THREAD)
 2B25(2 THREAD)

● ▲ C08 (Wide)
 ▲ XCO8 (Narrow)



● 5 THREAD MACHINE
 ▲ 2,3,4 THREAD MACHINE
 ★ IS LISTED IN CONVERSION CHART

1 12 13 14 15 16 17 18 19 20 21

A
B
C
D
E

F23 (5 THREAD)
 4F23 (4 THREAD)
 3F23 (2,3 THREAD)

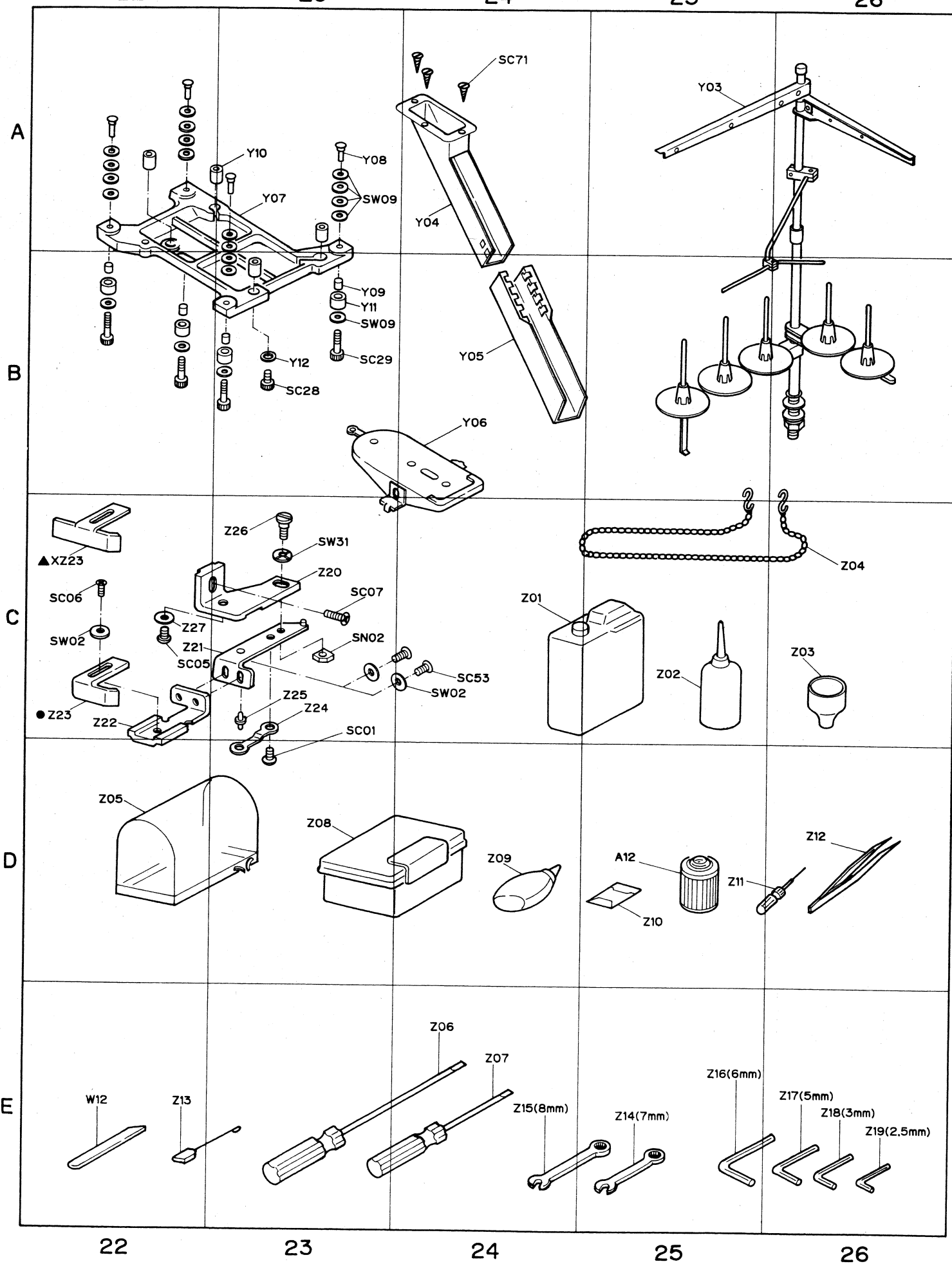
▲ XD01
 ● D01
 ● D02

▲ XL04
 ● SC44
 ● SC41

▲ X02
 ● M13
 ● M17

▲ X02
 ● M09
 ● SW06

INDEX OF PARTS



- A -	- D -	- J -	M05 19C	- R -	- W -	Z10 25D
A01 6D	D01 12E	J01 2C	M06 19C	R01 8B	W01 21B	Z11 25D
A02 5B	D02 12E	J02 1C	M07 18B	R02 10B	W02 21B	Z12 26D
A03 5B	D03 14D	J03 2C	M08 20C	R03 9B	W03 21A	Z13 22E
A04 5B	D04 16C	J04 3C	M09 21D	R04 10B	W04 20A	Z14 25E
A05 5B	D05 17B	J05 2D	M10 21C	R05 10B	W05 20B	Z15 24E
A06 6A	D06 17B	J06 2D	M11 21C	R06 10A	W06 21A	Z16 25E
A07 6B	D07 18B	J07 2C	M12 17D	R07 10A, 11A	W07 21A	Z17 26E
A08 5B	D08 19A	J08 4C	M13 18D	R08 10B	W08 19B	Z18 26E
A09 5B	D09 19A	J09 3C	M14 18D	R09 10B	W09 20B	Z19 26E
A10 5A	D10 19B	J10 3B	M15 19D	R10 9C	W10 20B	Z20 23C
A11 5B	D11 17C	J11 4B	M16 19D	R11 10B	W11 16A	Z21 22C
A12 6B, 25D	D12 15C	J12 4B	M17 18D	R12 8C	W12 16A, 22E	Z22 22C
A13 4A	D13 15D, 16D	J13 2B	M18 18D	R13 9B	W13 17A	Z23 22C
A14 3A	D14 15C	J14 2B	M19 19D	R14 9B	W14 16B	Z24 23C
A15 3B		J15 2B	M20 17D	R15 8B	W15 16A	Z25 23C
A16 3B		J16 3B	M21 17D	R16 8B	W16 16A	Z26 23C
A17 4B		J17 2B	M22 17D	R17 10C	W17 20B	Z27 22C
A18 4B			M23 21C	R18 11B		
A19 3B				R19 11B		
A20 4A				R20 9C		
A21 4A				R21 9C		
- B -	- F -	- K -	- N -	- T -	- X -	2B25 9D
B01 9E	F01 12B	K01 7B	N01 16E	T01 6E	X01 15A	3B25 9D
B02 7E	F02 13B	K02 7B	N02 15E	T02 5E	X02 18D, 21D	4B25 9D
B03 7E	F03 13B	K03 7D	N03 14E	T03 10B	X03 11D	3F23 13C
B04 8D	F04 13C	K04 18C	N04 14E	T04 5D	XB02 7E	4F23 13C
B05 8E	F05 13C	K05 18C	N05 14E	T05 5D	XC01 1D	
B06 8E	F06 12C	K06 17C	N06 14E	T06 14B	XC08 1E	
B07 8D	F07 12C	K07 16C	N07 13E	T07 14A	XC09 2D	
B08 8D	F08 13C	K08 16C	N08 17E	T08 15A	XD01 11E	
B09 7D	F09 14B	K09 17C	N09 17E	T09 15A	XH10 10A	
B10 8D	F10 14B	K10 15C	N10 17E	T10 14B	XH19 9E	
B11 6D	F11 15B	K11 18D	N11 17E	T11 14A	XH21 10D	
B12 6D	F12 14C	K12 7D	N12 17E	T12 14B, 15A	XJ06 2D	
B13 4D	F13 14C	K13 7D	N13 18E	T13 7C	XJ07 2C	
B14 4D	F14 13B	K14 7C		T14 6C	XL04 15D	
B15 3D	F15 14C	K15 17D	- Q -	T15 7E	XQ09 12E	
B16 3D	F16 12B	K16 20D	Q01 14D	T16 7E	XQ08 15A	
B17 4D	F17 12C	K17 20E	Q02 14D	T17 7E	XT09 15A	
B18 4C	F18 12B, 12C	K18 20E	Q03 14D	T18 9A	XW03 21A	
B19 7C	F19 12B	K19 20D	Q04 14D	T19 9A	XW09 20B	
B20 3A	F20 13B	K20 20D	Q05 13D	T20 8A	XW11 16A	
B21 2A	F21 12B	K21 20D	Q06 14D	T21 9A	XZ23 22C	
B22 4D	F22 12C	K22 17D	Q07 12D	T22 3C		
B23 9E	F23 13C	K23 7D	Q08 13D	T23 3C		
B24 5C	F24 13C	K24 17D	Q09 13E			
B25 9D	F25 13D	K25 17C	Q10 12D	- Y -	Y01 7C	
B26 3C	F26 13D		Q11 12D, 13E	Y02 6C	Y03 25A	
B27 18D			Q12 13D	Y04 24A	Y05 24B	
- C -	- H -	- L -	Q13 13D	Y06 24B	Y07 23A	
C01 1D	H01 7B	L01 8B	Q14 12D	Y08 23A	Y09 23B	
C02 2E	H02 7B	L02 16D	Q15 7B	Y10 23A	Y11 23B	
C03 2E	H03 7B	L03 15D, 16C	Q16 14E	Y12 23B		
C04 2E	H04 7B	L04 15D	Q17 14D			
C05 1E, 2D	H05 7B	L05 20C	Q18 13D	- U -		
C06 1E	H06 7B	L06 20C	Q19 13A	U01 3D		
C07 1E	H07 7A	L07 14D	Q20 13A	U02 3D		
C08 1E	H08 7A	L08 15D	Q21 13A	U03 3E		
C09 2D	H09 7A	L09 15D	Q22 11A	U04 3E		
C10 2E	H10 10A	L10 14C	Q23 11A	U05 3E		
C11 6D	H11 9A	L11 16E	Q24 13B	U06 4E		
C12 6D	H12 10A	L12 16D	Q25 13A	U07 4E		
C13 4D	H13 9A	L13 16D	Q26 12B	U08 4E		
C14 5D	H14 8A	L14 16D	Q27 12A	U09 3D		
C15 5D	H15 10E	L15 16D	Q28 12B	U10 3E		
C16 6B	H16 11C	L16 16D	Q29 12A	U11 3E		
C17 6B	H17 11D		Q30 12A	U12 3D, 3E		
C18 6B	H18 10E		Q31 11B	U13 3E		
C19 5B	H19 9E	- M -	Q32 11B	U14 6D		
C20 5B	H20 10E	M01 20C		U15 3D		
	H21 10E	M02 20C				
	HF14 13B	M03 19B				
	HK06 17C	M04 19C				

PLEASE NOTE:

1. The screw, washer etc. are not included on this index.
2. Some parts can be supplied only sub-assembly unit.
3. The parts are subject to change without prior notice.