

3

8121

8120

8118

11193

8125

11969 (2.5 m/m)
 15572 (3 m/m)
 15571 (4 m/m)
 1870 (5 m/m)
 1871 (6 m/m)

8132

28092

1439

13079

10942

28867-C

35254-C

28869C

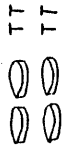
7047

6050

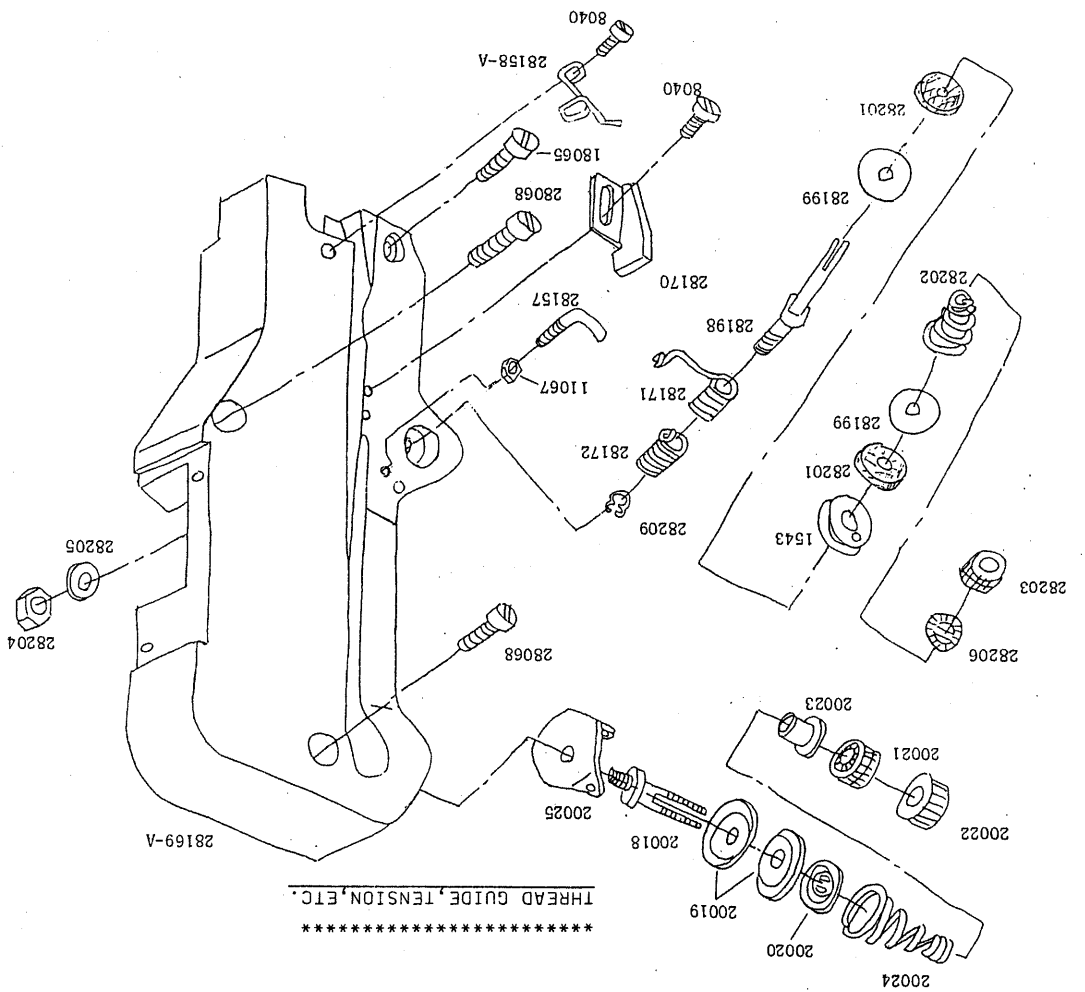
11885

11886-C

11887-C



PARTS NUMBER	DESCRIPTION	PARTS NUMBER	DESCRIPTION
28168-A	FACE PLATE	20018(150326)	THREAD CONTROLLER STUD
20019	TENSION DISC	20020	TENSION RELEASE WASHER
20021	TENSION THUMB NUT	20022(153672)	NUT
20023(143657)	WASHER	20024	RELEASE SPRING(THICK)
20025	THREAD GUIDE	28068	SCREW
28204	TENSION STUD NUT	28205	TENSION STUD WASHER
28203	TENSION THUMB NUT	28206	T/THUMB NUT STOPPER
28202	TENSION DISC SPRING	28199	TENSION WASHER
28201	TENSION OIL PAD	1543	TENSION DISC
28199	TENSION WASHER	28198	TENSION STUD (LOWER)
28271	THREAD TAKE UP SPRING	28172	REGULATING SPRING
28209	STOP RING	11067	NUT
28157	THREAD GUIDE(MIDDLE)	8040	PRESSER FOOT SCREW
28170	CONTROLLER SPRING STOP	28068	SCREW
18065	SCREW	28158-A	THREAD GUIDE(LOWER)



Modify and add parts. (Sept 93.)

