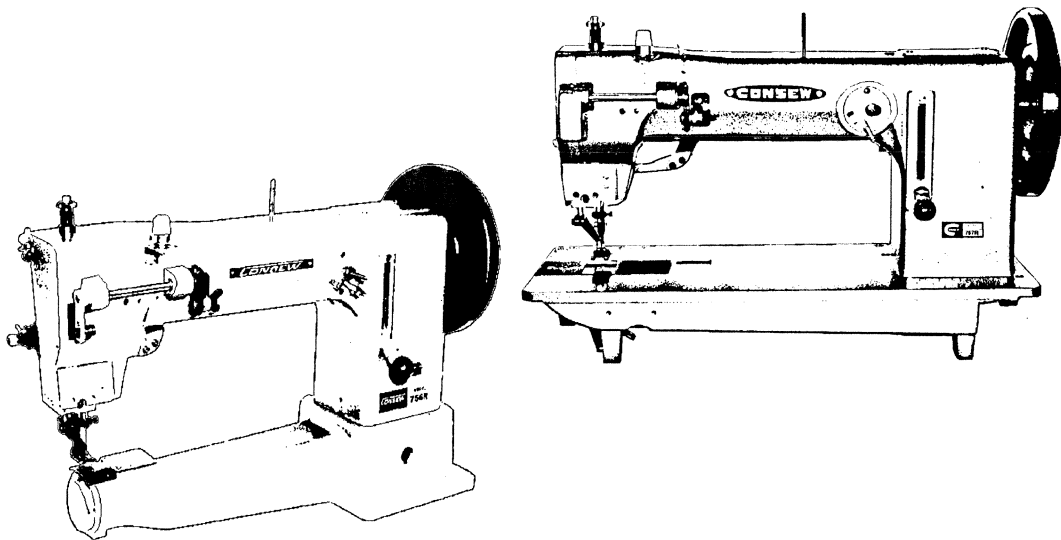


Since 1898
CONSEW®

— CONSOLIDATED SEWING MACHINE CORP.

PARTS MANUAL FOR MODELS 756R-3 & 757R-3



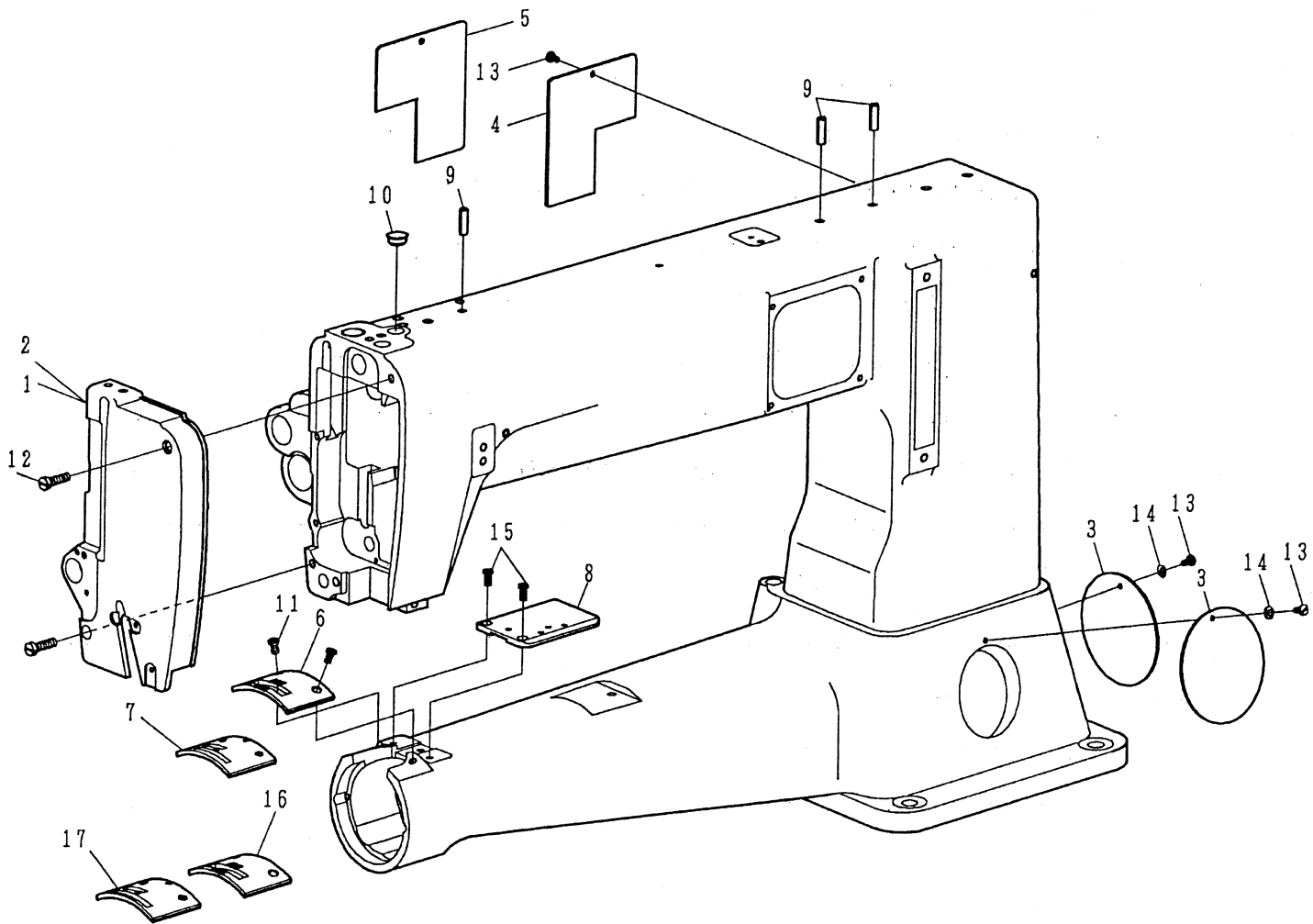
Extra Heavy Duty, Single Needle
Lower, Needle & Upper Feed (Compound Feed)
Alternating Presser Feet Lockstitch Machine
Model 756R-3: Long Cylinder Arm (15-3/4")
Model 757R-3: Long Arm Flatbed (15-3/4")

PARTS MANUAL
FOR
CONSEW MODELS 756R-3 AND 757R-3

Table of Contents

| | PAGE |
|---|-------|
| A. - FRAME & MISCELLANEOUS COVER COMPONENTS----- | 2-3 |
| B. - MAIN SHAFT COMPONENTS ----- | 4-5 |
| C. -- NEEDLE BAR • UPPER FEED MECHANISM COMPONENTS -- | 6-15 |
| D. - PRESSURE BAR COMPONENTS ----- | 16-17 |
| E. - FEED MECHANISM COMPONENTS ----- | 18-21 |
| F. - HOOK DRIVING SHAFT COMPONENTS----- | 22-25 |
| G. - TENSION POST COMPONENTS ----- | 26-27 |
| H. .. THREAD WINDER & THREAD GUIDE COMPONENTS----- | 28-31 |
| I. - KNEE LIFTER COMPONENTS ----- | 32-33 |
| J. - BELT COVER COMPONENTS ----- | 34-35 |
| K. - THREAD STAND COMPONENTS ----- | 36-37 |
| L. - TABLE COMPONENTS ----- | 38-39 |
| M. - ACCESSORIES PARTS COMPONENTS ----- | 40-41 |
| N. - NUMERICAL PARTS-LIST ----- | 42-44 |

A. FRAME & MISCELLANEOUS COVER COMPONENTS

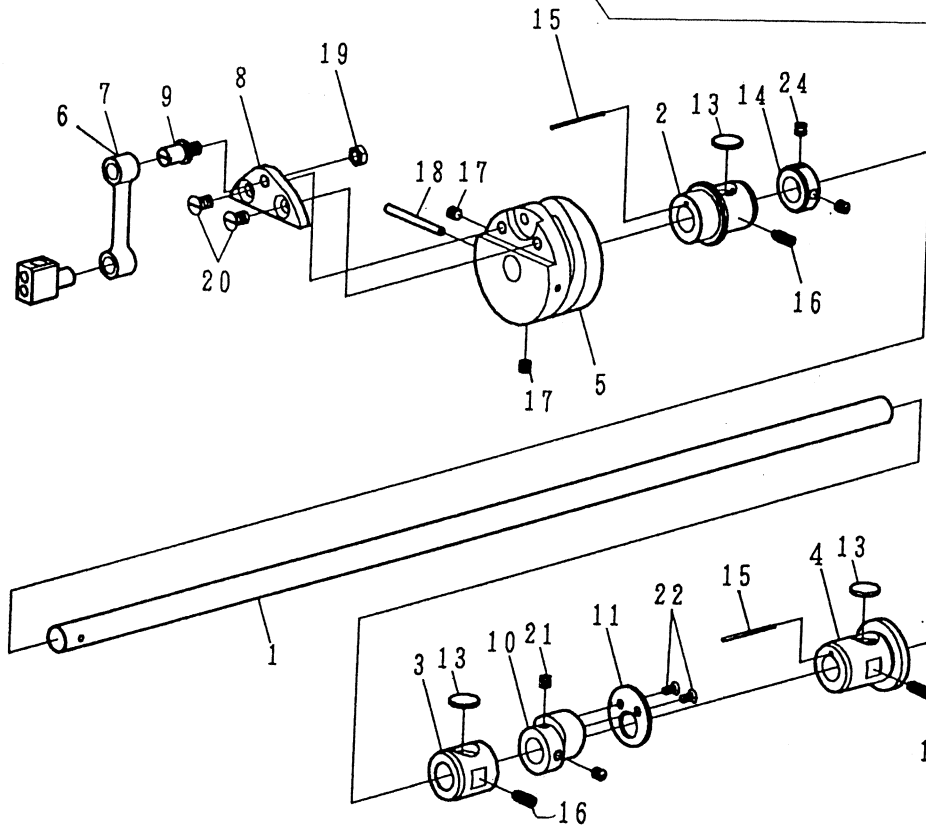
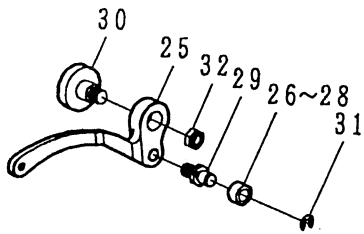


| REF.No | NOTE | Part No. | Name of Part | Q'TY |
|--------|------|------------|----------------------|------|
| 1 | #01 | 4410111005 | Face Plate Asm. | 1 |
| 2 | #02 | 4710111005 | Face Plate Asm. | 1 |
| 3 | | 4710111100 | Side Cover, A | 2 |
| 4 | #01 | 4410111200 | Side Cover, B | 1 |
| 5 | #02 | 4710111200 | Side Cover, B | 1 |
| 6 | #01 | 4410111300 | Throat Plate | 1 |
| 7 | #02 | 4710111300 | Throat Plate | 1 |
| 8 | | 4710111600 | Slide Plate | 1 |
| 9 | | YD050018 | Oil Pipe | 3 |
| 10 | #01 | S1013-0A | Rubber Plug | 1 |
| 11 | | ZSB12045 | Screw 3/16-28 L=8 | 2 |
| 12 | | ZSB15014 | Screw 15/64-28 L=18 | 2 |
| 13 | | ZSB09047 | Screw 9/64-40 L=7 | 3 |
| 14 | | WC049001 | Washer | 2 |
| 15 | | ZSB11018 | Screw 11/64-40 L=9 | 2 |
| 16 | #04 | 4410111400 | Throat Plate (Short) | (1) |
| 17 | #05 | 4710111400 | Throat Plate (Short) | (1) |

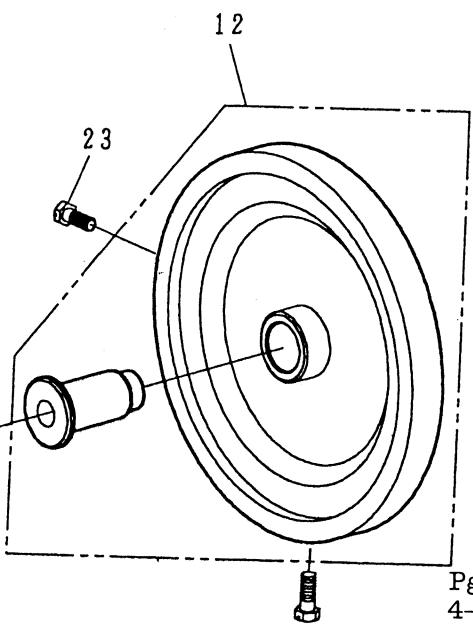
Note #01. For 757R-3
 #02. For 756R-3
 #04. Optional part for 757R-3
 #05. Optional part for 756R-3

B. MAIN SHAFT COMPONENTS

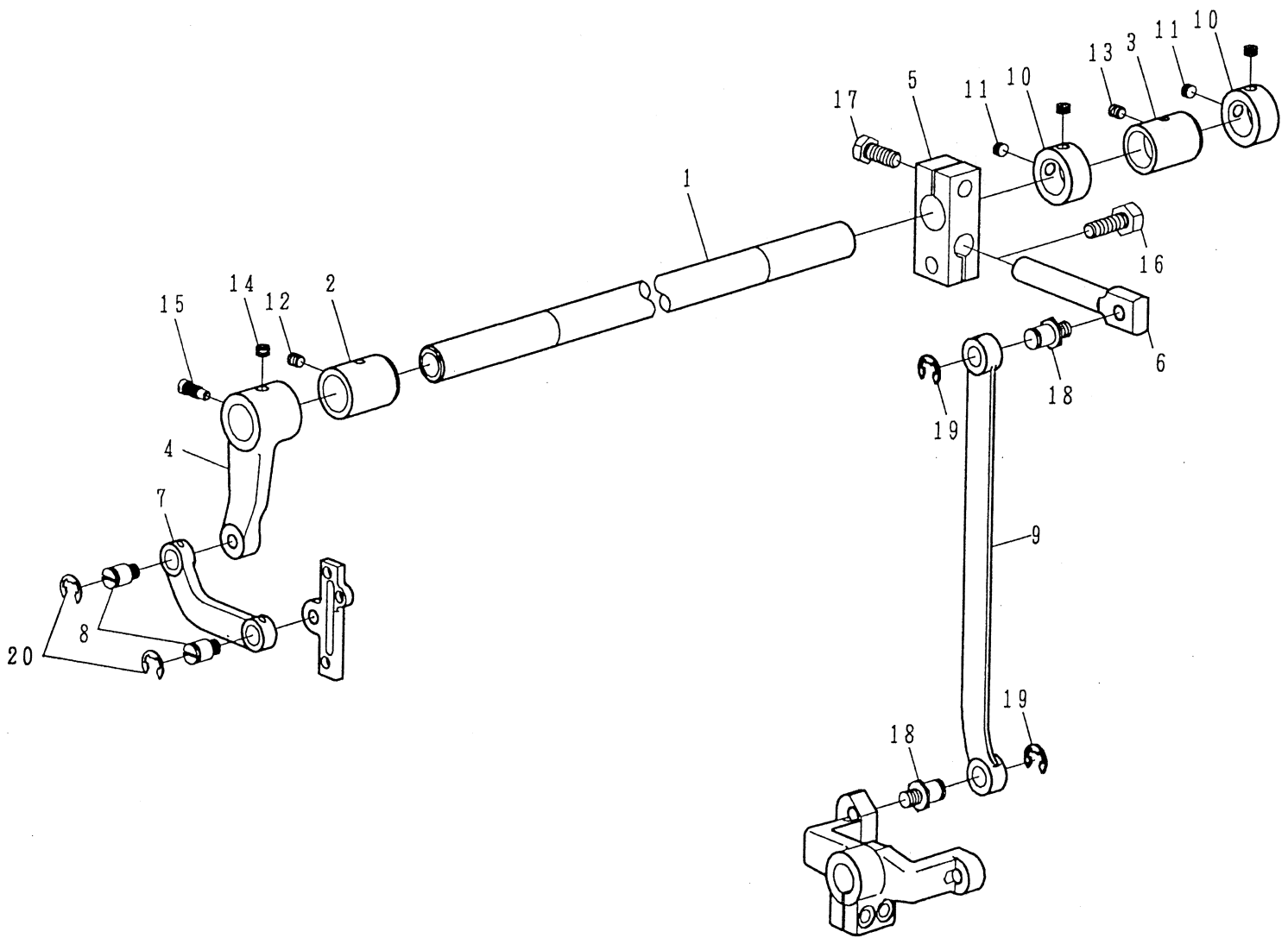
| No | NOTE | Part No. | Name of Part | Q'TY |
|----|------|------------|------------------------------|------|
| 1 | | 4710120101 | - Main Shaft | 1 |
| 2 | | 4710120201 | - Main Shaft Bushing, Front | 1 |
| 3 | | 4710120300 | - Main Shaft Bushing, Center | 1 |
| 4 | | 4710120400 | - Main Shaft Bushing, Rear | 1 |
| 5 | | 4710191301 | - Thread Take Up Cam | 1 |
| 6 | #01 | 4410121000 | - Needle Bar Crank Rod | 1 |
| 7 | #02 | 4710121000 | Needle Bar Crank Rod | 1 |
| 8 | | 4710121100 | Crank Plate | 1 |
| 9 | | 4710121300 | Needle Bar Crank Shaft | 1 |
| 10 | | 4710122000 | Feed Cam | 1 |
| 11 | | 4710122100 | Side Plate | 1 |
| 12 | | 4710122304 | Hand Wheel Asm. | 1 |
| 13 | | 4710122500 | Felt | 3 |
| 14 | | 4710122601 | Thrust Collar | 1 |
| 15 | | XA200160 | Oil Wick | 2 |
| 16 | | ZSA15010 | Screw 15/64-28 L=15 | 3 |
| 17 | | ZSH16001 | Screw 1/4-40 L=6 | 2 |
| 18 | | YB040045 | Tapered Pin 4.0X45 | 1 |
| 19 | | ZSL18001 | Nut 9/32-28 | 1 |
| 20 | | ZSC18001 | Screw 9/32-28 L=11 | 2 |
| 21 | | ZSH15001 | Screw 15/64-28 L=7 | 2 |
| 22 | | ZSC11007 | Screw 11/64-40 | 2 |
| 23 | | ZSD20003 | Screw 5/16-24 L=21 | 2 |
| 24 | | ZSA16025 | Screw 1/4-40 L=6 | 2 |
| 25 | | 4710190100 | Thread Take Up Lever | 1 |
| 26 | | 4710190200 | Roller | 1 |
| 27 | #03 | 4710190220 | Roller | (1) |
| 28 | #03 | 4710190230 | Roller | (1) |
| 29 | | 4710190300 | Roller Stud | 1 |
| 30 | | ZSG20012 | Hinge Screw | 1 |
| 31 | | RE000040 | E-Shaped Snap Ring (4mm) | 1 |
| 32 | | ZSL18001 | Nut 9/32-28 | 1 |



Notes #01. For 757R-3
 #02. For 756R-3
 #03. Elective part



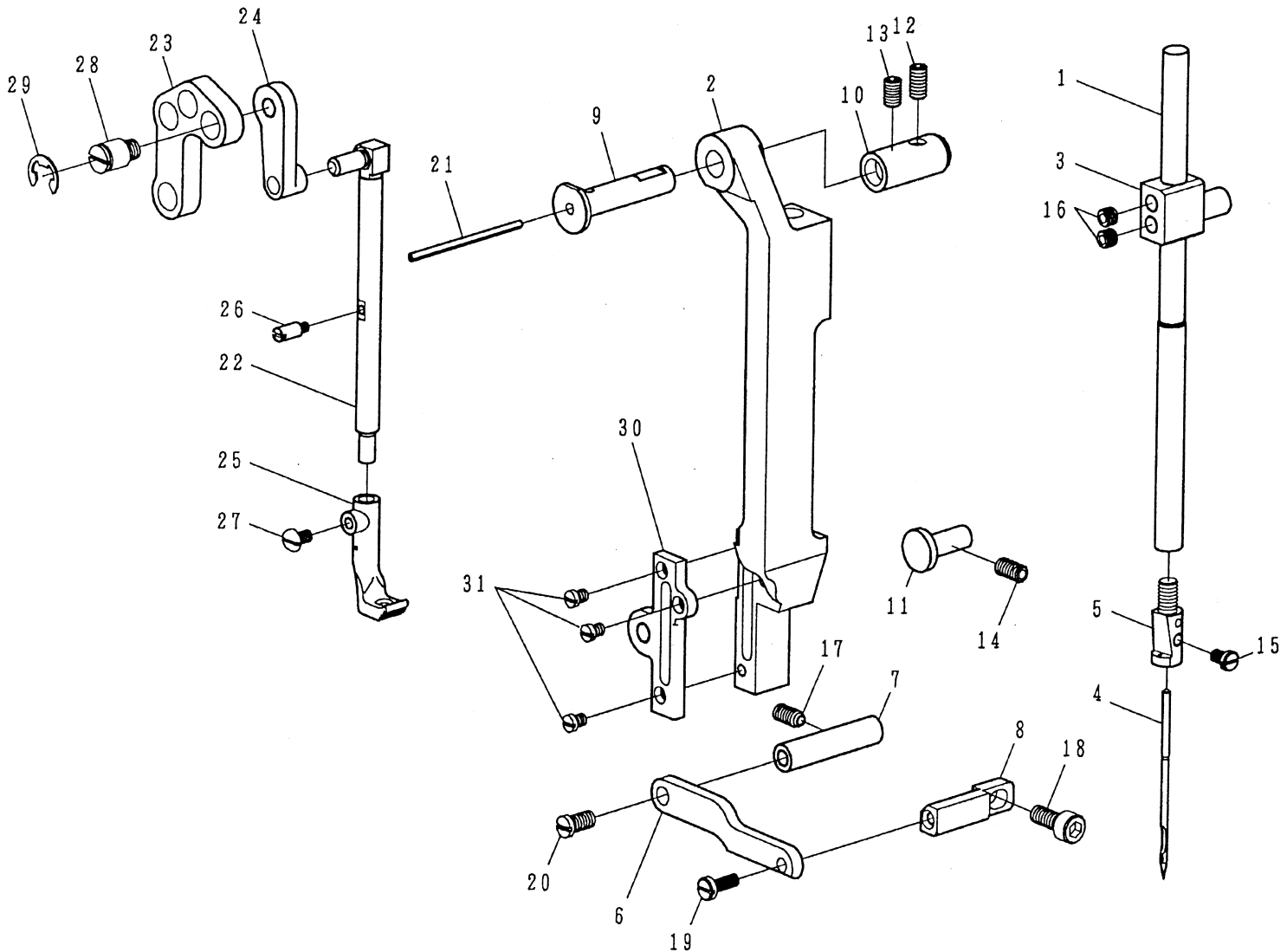
C. NEEDLE BAR · UPPER FEED MECHANISM COMPONENTS (For 757R-3)



| REF.No | NOTE | Part No. | Name of Part | Q'TY |
|--------|------|------------|---------------------------------|------|
| 1 | #01 | 4410142100 | Driving Shaft----- | 1 |
| 2 | #01 | 4410145600 | Driving Shaft Front Metal ---- | 1 |
| 3 | #01 | 4710142201 | Driving Shaft Rear Metal ---- | 1 |
| 4 | #01 | 4410142300 | Driving Shaft Rod , Front---- | 1 |
| 5 | #01 | 4410142400 | Driving Shaft Rod , Rear ---- | 1 |
| 6 | #01 | 4410141900 | Driving Shaft Rear Arm Pin ---- | 1 |
| 7 | #01 | 4410143100 | Frame Driving Link ----- | 1 |
| 8 | #01 | ZSK18019 | Hinge Screw----- | 2 |
| 9 | #01 | 4410142000 | Frame Driving Rod ----- | 1 |
| 10 | #01 | LG4043-0A | Thrust Collar D=18 W=12 ---- | 2 |
| 11 | #01 | ZSA16010 | Screw 1/4-40 L=4.5 ----- | 4 |
| 12 | #01 | ZSA15028 | Screw 15/64-28 L=7 ----- | 1 |
| 13 | #01 | ZSA15028 | Screw 15/64-28 L=7 ----- | 1 |
| 14 | #01 | ZSH16005 | Screw 1/4-40 L=4.5 ----- | 1 |
| 15 | #01 | ZSB15015 | Screw 15/64-28 L=14.5 ---- | 1 |
| 16 | #01 | ZSD20011 | Screw 5/16-18 L=23 ----- | 1 |
| 17 | #01 | ZSD20009 | Screw 5/16-18 L=25 ----- | 1 |
| 18 | #01 | ZSK20009 | Hinge Screw----- | 2 |
| 19 | #01 | RE000080 | E-Shaped Snap Ring (8mm)--- | 2 |
| 20 | #01 | RE000080 | E-Shaped Snap Ring (8mm)--- | 2 |

Notes #01. For 757R-3

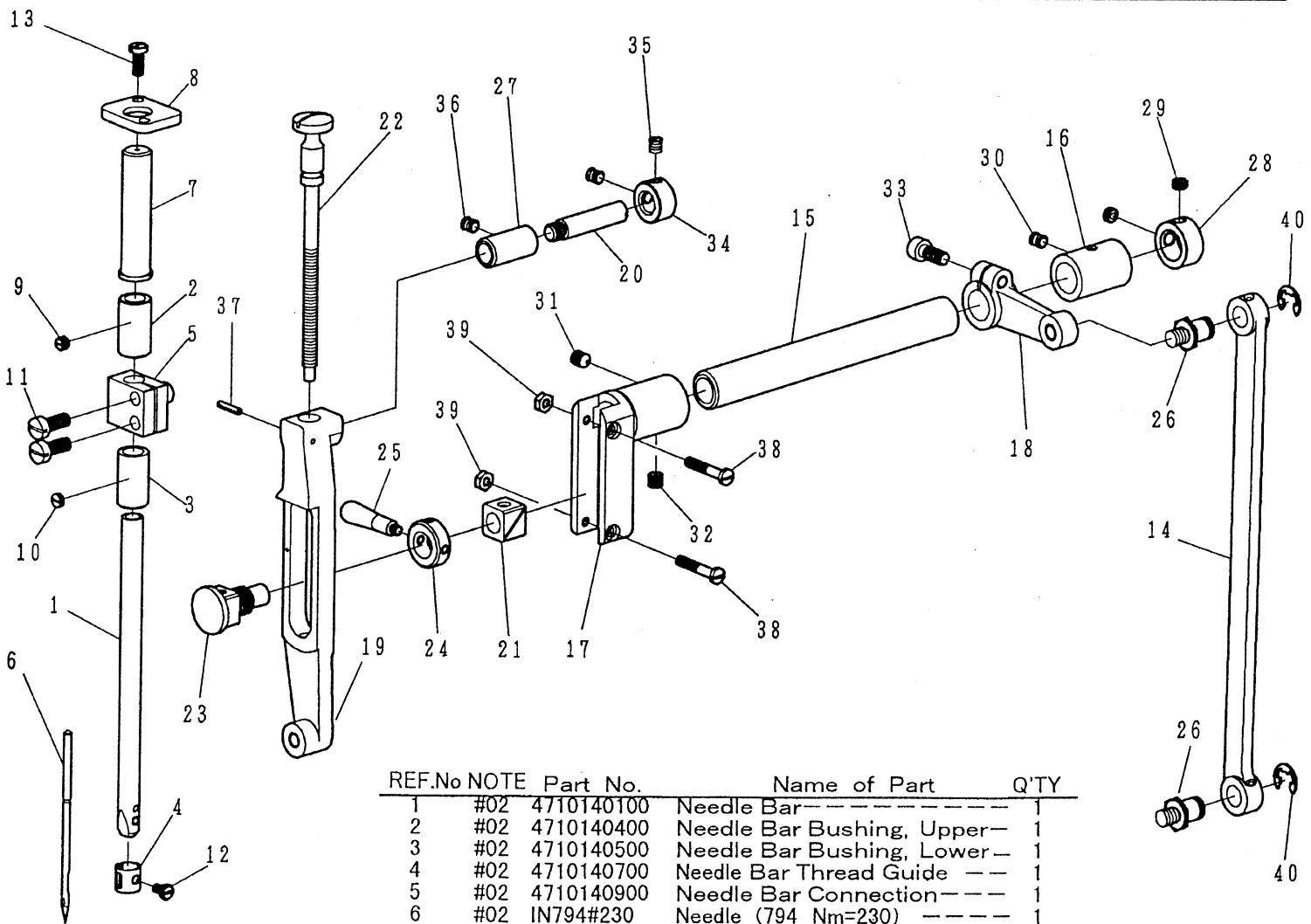
C. NEEDLE BAR · UPPER FEED MECHANISM COMPONENTS (For 757R-3)



| REF. No | NOTE | Part No. | Name of Part | Q'TY | REF. No | NOTE | Part No. | Name of Part | Q'TY |
|---------|------|------------|--------------------------------|------|---------|------|------------|-------------------------------|------|
| 1 | #01 | 4410140100 | Needle Bar | 1 | 18 | #01 | ZMJ06002 | Screw M6 L=21 | 1 |
| 2 | #01 | 4410270100 | Frame Driving Base | 1 | 19 | #01 | ZSB11076 | Screw 11/64-40 L=12 | 1 |
| 3 | #01 | 4410140900 | Needle Bar Connection | 1 | 20 | #01 | ZSB15004 | Screw 15/64-28 L=10.5 | 1 |
| 4 | #01 | IN794#230 | Needle (794 Nm=230-4) | 1 | 21 | #01 | XA200100 | Oil Wick | 1 |
| 5 | #01 | 4410140200 | Needle Stopper | 1 | 22 | #01 | 4410150100 | Upper Feed Bar | 1 |
| 6 | #01 | 4410143700 | Pressure Plate | 1 | 23 | #01 | 4410143600 | L Link | 1 |
| 7 | #01 | 4410272300 | Setting Shaft | 1 | 24 | #01 | 4410143300 | Upper Feed Frame Driving Link | 1 |
| 8 | #01 | 4410272200 | Setting Plate | 1 | 25 | #01 | 4410151000 | Pressure Foot | 1 |
| 9 | #01 | 4410270200 | Frame Driving Base Shaft | 1 | 26 | #01 | 4410142900 | Upper Feed Bar Pin | 1 |
| 10 | #01 | 4410273000 | Frame Driving Base Shaft Metal | 1 | 27 | #01 | ZSB11041 | Screw 11/64-40 L=7 | 1 |
| 11 | #01 | 4410270400 | Frame Driving Base Guide | 1 | 28 | #01 | ZSK18019 | Hinge Screw | 1 |
| 12 | #01 | ZMH06005 | Screw M6 L=12 | 1 | 29 | #01 | RE000080 | E-Shaped Snap Ring (8mm) | 1 |
| 13 | #01 | ZMH06010 | Screw M6 L=10 | 1 | 30 | #01 | 4410151100 | Guide Plate | 1 |
| 14 | #01 | ZMH06005 | Screw M6 L=12 | 1 | 31 | #01 | ZSB11042 | Screw 11/64-40 L=4.5 | 3 |
| 15 | #01 | ZSB11022 | Screw 11/64-40 L=7 | 1 | | | | | |
| 16 | #01 | ZSH16005 | Screw 1/4-40 L=4.5 | 2 | | | | | |
| 17 | #01 | ZMH06005 | Screw M6 L=12 | 1 | | | | | |

Notes #01. For 757R-3

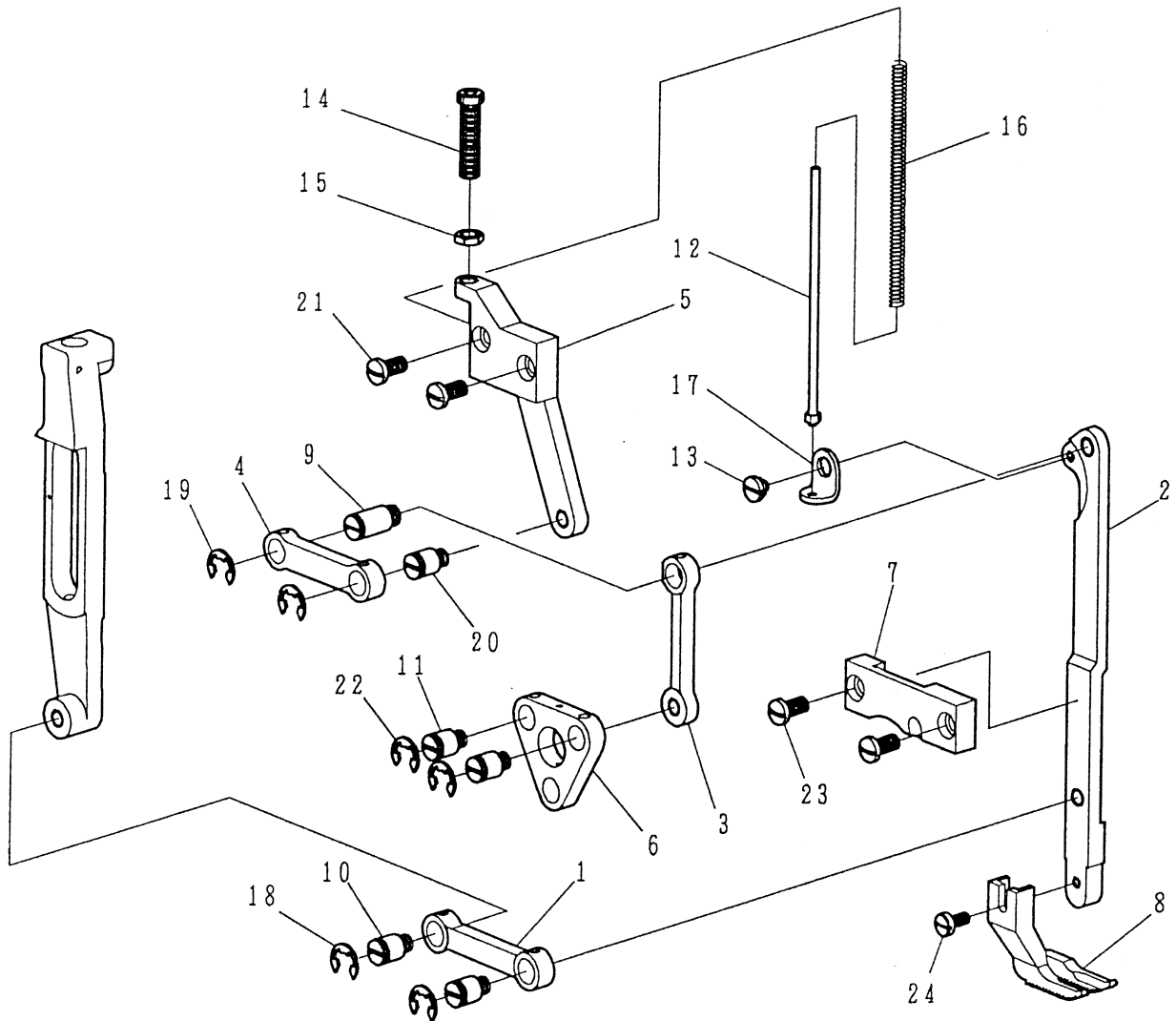
C. NEEDLE BAR · UPPER FEED MECHANISM COMPONENTS (For 756R-3)



| REF.No | NOTE | Part No. | Name of Part | Q'TY |
|--------|------|------------|----------------------------|------|
| 1 | #02 | 4710140100 | Needle Bar | 1 |
| 2 | #02 | 4710140400 | Needle Bar Bushing, Upper | 1 |
| 3 | #02 | 4710140500 | Needle Bar Bushing, Lower | 1 |
| 4 | #02 | 4710140700 | Needle Bar Thread Guide | 1 |
| 5 | #02 | 4710140900 | Needle Bar Connection | 1 |
| 6 | #02 | IN794#230 | Needle (794 Nm=230) | 1 |
| 7 | #02 | 4710141200 | Needle Bar Cover | 1 |
| 8 | #02 | 4710141300 | Cover Plate | 1 |
| 9 | #02 | ZSA15013 | Screw 15/64-28 L=3.4 | 1 |
| 10 | #02 | ZSA16039 | Screw 1/4-40 L=2.5 | 1 |
| 11 | #02 | ZSB15032 | Screw 15/64-28 L=14 | 2 |
| 12 | #02 | ZSB11030 | Screw 11/64-40 L=6.5 | 1 |
| 13 | #02 | ZSB11076 | Screw 11/64-40 L=12 | 2 |
| 14 | #02 | 4710142000 | Lengthwise Feed Rod | 1 |
| 15 | #02 | 4710142101 | Driving Shaft | 1 |
| 16 | #02 | 4710142201 | Bushing, Rear | 1 |
| 17 | #02 | 4710142301 | Driving Shaft Rod, Front | 1 |
| 18 | #02 | 4710142401 | Driving Shaft Rod, Rear | 1 |
| 19 | #02 | 4710142500 | Upper Feed Control Bracket | 1 |
| 20 | #02 | 4710142600 | Shaft | 1 |
| 21 | #02 | 4710142700 | Brock | 1 |
| 22 | #02 | 4710142800 | Screw | 1 |
| 23 | #02 | 4710142900 | Shaft | 1 |
| 24 | #02 | 4710143000 | Nut | 1 |
| 25 | #02 | 4710143900 | Control Lever | 1 |
| 26 | #02 | ZSK20009 | Hinge Screw | 2 |
| 27 | #02 | 4710140500 | Bushing | 1 |
| 28 | #02 | LG4043-0A | Thrust Collar D=18 W=10 | 1 |
| 29 | #02 | ZSA16010 | Screw 1/4-40 L=4.5 | 2 |
| 30 | #02 | ZSA15028 | Screw 15/64-28 L=7 | 1 |
| 31 | #02 | ZSH16002 | Screw 1/4-40 L=8.5 | 1 |
| 32 | #02 | ZSH16001 | Screw 1/4-40 L=6 | 1 |
| 33 | #02 | ZMJ06002 | Screw M6 L=15 | 1 |
| 34 | #02 | LG1274-0A | Thrust Collar D=9.53 W=10 | 1 |
| 35 | #02 | ZSA15028 | Screw 15/64-28 L=7 | 2 |
| 36 | #02 | ZSA15028 | Screw 15/64-28 L=7 | 1 |
| 37 | #02 | YD025014 | Spring Pin 2.8X14 | 1 |
| 38 | #02 | ZSB11057 | Screw 11/64-40 L=24 | 2 |
| 39 | #02 | ZSL11004 | Nut 11/64-40 | 2 |
| 40 | #02 | RE000080 | E- Shaped Snap Ring (8mm) | 2 |

Notes #02. For 756R-3

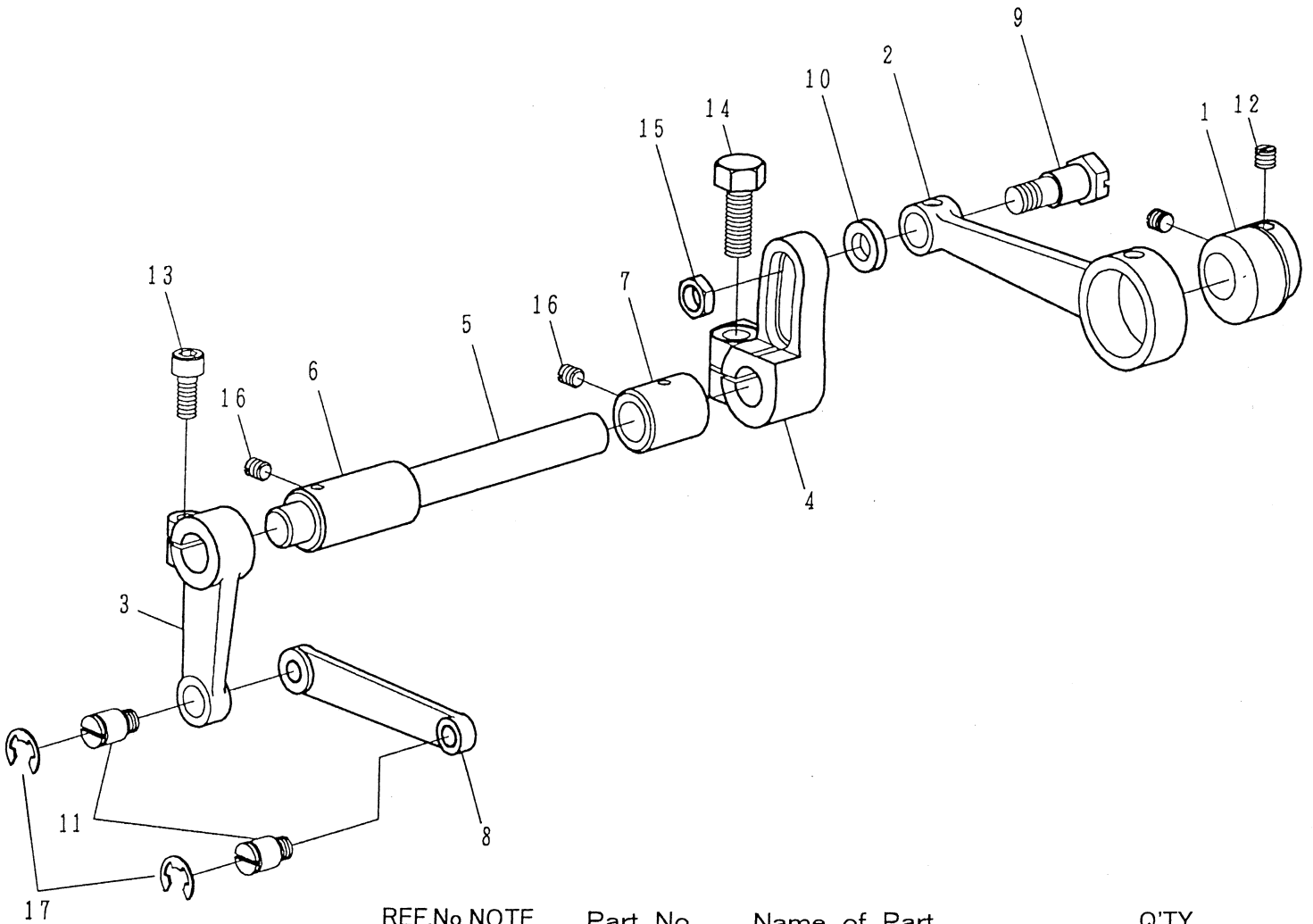
C. NEEDLE BAR • UPPER FEED MECHANISM COMPONENTS (For 756R-3)



| REF.No | NOTE | Part No. | Name of Part | Q'TY |
|--------|------|------------|--------------------------|------|
| 1 | #02 | 4710143100 | Rod | 1 |
| 2 | #02 | 4710143200 | Upper Feed Rod | 1 |
| 3 | #02 | 4710143300 | Upper Feed Link A | 1 |
| 4 | #02 | 4710143400 | Upper Feed Link B | 1 |
| 5 | #02 | 4710143500 | Upper Feed Link Bracket | 1 |
| 6 | #02 | 4710143600 | Bracket | 1 |
| 7 | #02 | 4710143700 | Supporting Plate | 1 |
| 8 | #02 | 4710143800 | Walking Foot (Standard) | 1 |
| 9 | #02 | ZSK20006 | Hinge Screw | 1 |
| 10 | #02 | ZSK18019 | Hinge Screw | 2 |
| 11 | #02 | ZSK18019 | Hinge Screw | 2 |
| 12 | #02 | 4710144100 | Spring Guide Bar | 1 |
| 13 | #02 | ZSG11058 | Hinge Screw | 1 |
| 14 | #02 | ZSF18001 | Adjusting Thumb Screw | 1 |
| 15 | #02 | ZSL18003 | Nut 9/32-28 | 1 |
| 16 | #02 | 4710144200 | Spring | 1 |
| 17 | #02 | E1288-0A | Retaining Plate | 1 |
| 18 | #02 | RE000080 | E-Shaped Snap Ring (8mm) | 2 |
| 19 | #02 | RE000080 | E-Shaped Snap Ring (8mm) | 2 |
| 20 | #02 | ZSK18019 | Hinge Screw | 1 |
| 21 | #02 | ZSB15005 | Screw 15/64-28 L=12 | 2 |
| 22 | #02 | RE000080 | E-Shaped Snap Ring (8mm) | 2 |
| 23 | #02 | ZSB15005 | Screw 15/64-28 L=12 | 2 |
| 24 | #02 | ZSB11026 | Screw 11/64-40 L=9.5 | 1 |

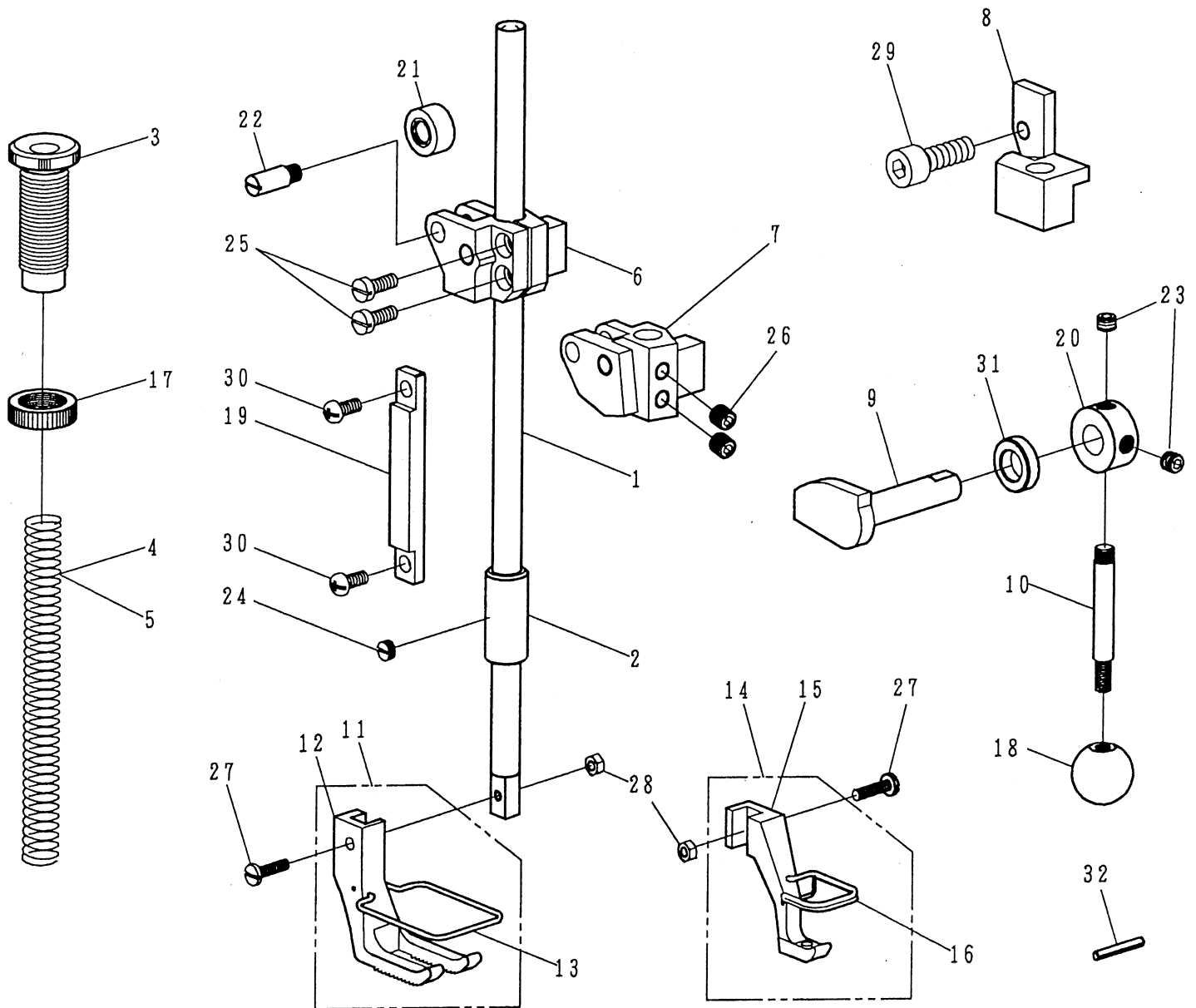
Notes #02. For 756R-3

C. NEEDLE BAR · UPPER FEED MECHANISM COMPONENTS



| REF.No | NOTE | Part No. | Name of Part | Q'TY |
|--------|------|------------|--------------------------|------|
| 1 | | 4710144401 | Driving Cam | 1 |
| 2 | | 4710144500 | Connecting Rod | 1 |
| 3 | | 4710144600 | Driving Shaft Arm, Front | 1 |
| 4 | | 4710144700 | Driving Shaft Arm, Rear | 1 |
| 5 | | 4710144800 | Feed Rocker Shaft | 1 |
| 6 | | 4710144900 | Bushing, Front | 1 |
| 7 | | 4710145000 | Bushing, Rear | 1 |
| 8 | | 4710145100 | Rod | 1 |
| 9 | | ZSG22002 | Hinge Screw | 1 |
| 10 | | WH208005 | Washer | 1 |
| 11 | | ZSK18019 | Hinge Screw | 2 |
| 12 | | ZSA16025 | Screw 1/4-40 L=6 | 2 |
| 13 | | ZMJ06002 | Screw M6 L=21 | 1 |
| 14 | | ZSD20011 | Screw 5/16-18 | 1 |
| 15 | | ZSL22001 | Nut 11/32-28 | 1 |
| 16 | | ZSA15028 | Screw 15/64-28 L=7 | 2 |
| 17 | | RE000080 | E-Shaped Snap Ring (8mm) | 2 |

D. PRESSURE BAR COMPONENTS

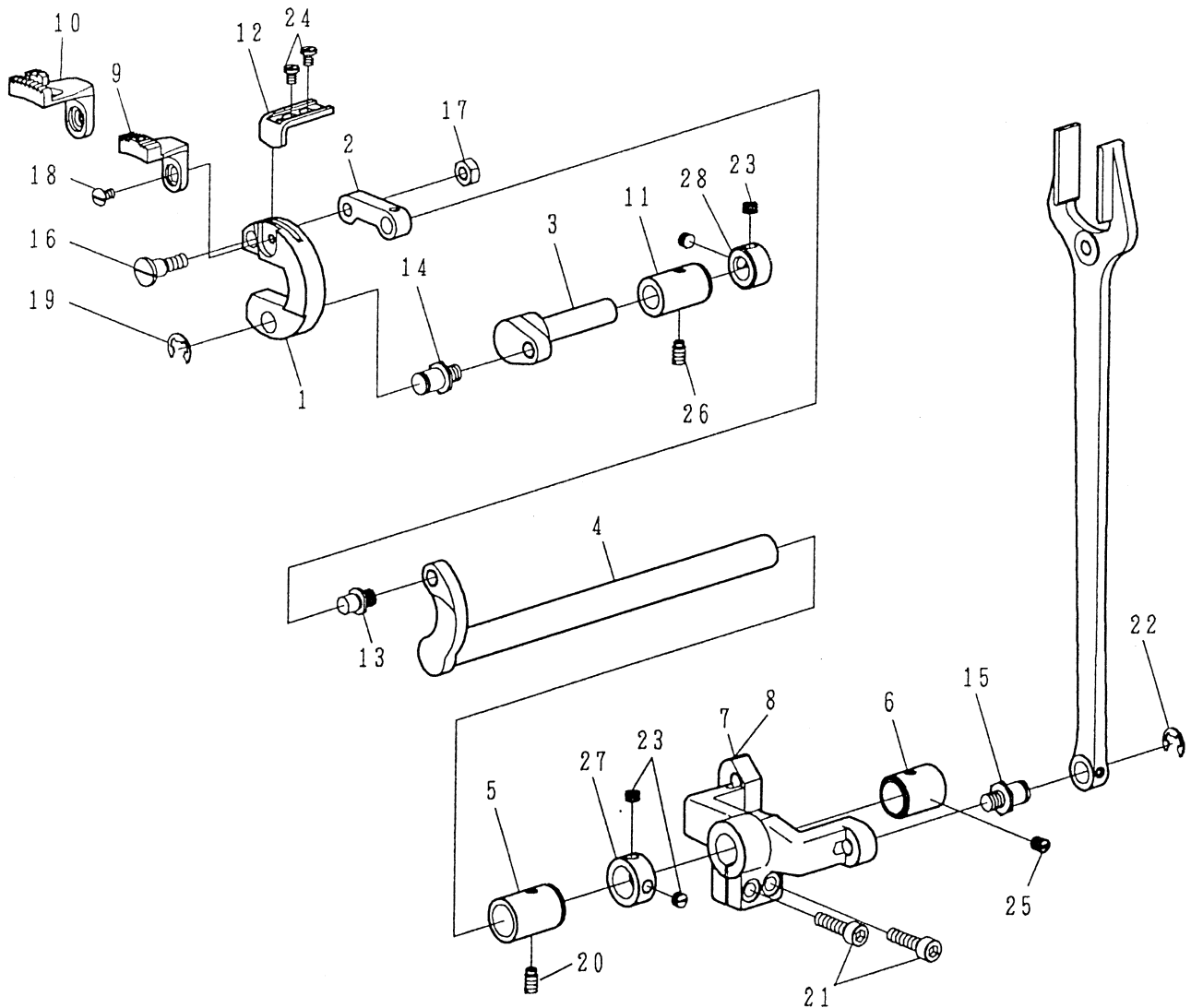


| REF. No. | NOTE | Part No. | Name of Part | Q'TY |
|----------|------|------------|-------------------------------|------|
| 1 | | 4710150100 | Presser Bar | 1 |
| 2 | | 4710150200 | Presser Bar Bushing | 1 |
| 3 | | 4710150300 | Screw | 1 |
| 4 | #01 | 4410150400 | Spring | 1 |
| 5 | #02 | 4710150400 | Spring | 1 |
| 6 | #01 | 4410150500 | Presser Bar Guide Bracket | 1 |
| 7 | #02 | 4710150500 | Presser Bar Guide Bracket | 1 |
| 8 | | 4710150600 | Hand Lifter Link | 1 |
| 9 | | 4710150700 | Hand Lifter Cam | 1 |
| 10 | | 4710150800 | Hand Lifter Lever | 1 |
| 11 | #01 | 4410143805 | Pressure Foot (Standard) Asm. | 1 |
| 12 | #01 | 4410143800 | Pressure Foot (Standard) | (1) |
| 13 | #01 | 4410152500 | Guard | (1) |
| 14 | #02 | 4710151005 | Pressure Foot (Standard) Asm. | 1 |
| 15 | #02 | 4710151000 | Pressure Foot (Standard) | (1) |
| 16 | #02 | 4710152500 | Guard | (1) |
| 17 | | 4710151500 | Nut | 1 |
| 18 | | 4710151600 | Grip | 1 |

| REF. No. | NOTE | Part No. | Name of Part | Q'TY |
|----------|------|------------|----------------------|------|
| 19 | | 4710151700 | Guide Plate | 1 |
| 20 | | 4710151800 | Thrust Collar | 1 |
| 21 | | 4710151900 | Roller Follower | 1 |
| 22 | | 4710152000 | Guide Pin | 1 |
| 23 | | ZSH16005 | Screw 1/4-40 L=4.5 | 2 |
| 24 | | ZSA16039 | Screw 1/4-40 L=2.5 | 1 |
| 25 | #01 | ZSB12002 | Screw 3/16-28 L=12 | 2 |
| 26 | #02 | ZSH16001 | Screw 1/4-40 L=6 | 2 |
| 27 | | ZSB09061 | Screw 9/64-40 L=13.5 | 1 |
| 28 | | ZSL09001 | Nut 9/64-40 | 1 |
| 29 | | ZSJ16001 | Screw 1/4-40 L=6.5 | 1 |
| 30 | | ZSB12016 | Screw 3/16-32 L=10 | 2 |
| 31 | | WA100009 | Collar | 1 |
| 32 | | YD030020 | Spring Pin 3.0X20 | 1 |

Notes #01. For 757R-3
 #02. For 756R-3

E. FEED MECHANISM COMPONENTS (1/2)

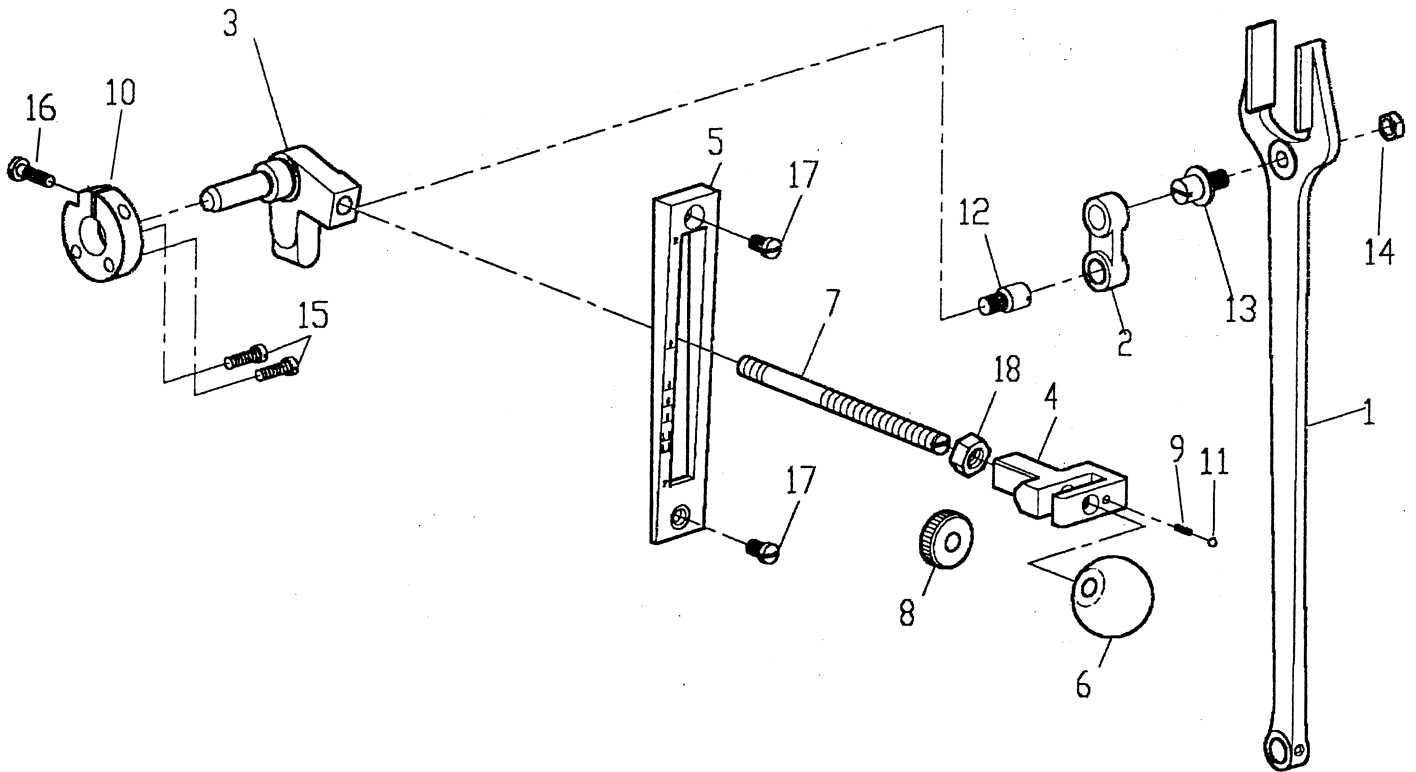


| REF. No | NOTE | Part No. | Name of Part | Q'TY |
|---------|------|------------|----------------------------|------|
| 1 | | 4710160100 | Feed Bar ----- | 1 |
| 2 | | 4710160200 | Feed Bar Link ----- | 1 |
| 3 | | 4710160300 | Driving Shaft----- | 1 |
| 4 | | 4710160404 | Feed Rocker Shaft ----- | 1 |
| 5 | | 4710160600 | Bushing, Front ----- | 1 |
| 6 | | 4710160700 | Bushing, Rear ----- | 1 |
| 7 | #01 | 4410160800 | Feed Rocker Shaft Crank- 1 | |
| 8 | #02 | 4710160800 | Feed Rocker Shaft Crank- 1 | |
| 9 | #01 | 4410161400 | Feed Dog ----- | 1 |
| 10 | #02 | 4710161400 | Feed Dog ----- | 1 |
| 11 | | 4710161700 | Driving Shaft Metal----- | 1 |
| 12 | | 4710162100 | Feed Bar Presser ----- | 1 |
| 13 | | ZSK20007 | Hinge Screw----- | 1 |
| 14 | | ZSK20009 | Hinge Screw----- | 1 |
| 15 | | ZSK20009 | Hinge Screw----- | 1 |
| 16 | | ZSG16024 | Hinge Screw D=7.94 L=8 - 1 | |
| 17 | | ZSL16004 | Nut 1/4-24 ----- | 1 |

| REF. No | Part No. | Name of Part | Q'TY |
|---------|-----------|------------------------------|------|
| 18 | ZSB11041 | Screw 11/64-40 L=7 ----- | 1 |
| 19 | RE000080 | E-Shaped Snap Ring (8mm) 1 | |
| 20 | ZSA15037 | Screw 15/64-28 L=10.5----- | 1 |
| 21 | ZMJ06004 | Screw M6 ----- | 2 |
| 22 | RE000080 | E-Shaped Snap Ring (8mm) 1 | |
| 23 | ZSA16029 | Screw 1/4-40 L=3.5 ----- | 4 |
| 24 | ZSB11035 | Screw 11/64-40 L=6----- | 2 |
| 25 | ZSA15028 | Screw 15/64-28 L=7 ----- | 1 |
| 26 | ZSA15037 | Screw 15/64-28 L=10.5----- | 1 |
| 27 | LG4044-0A | Thrust Collar D=14.72 W=10-- | 1 |
| 28 | LG4014-0A | Thrust Collar D=11.11 W=10-- | 1 |

Notes #01. For 757R-3
#02. For 756R-3

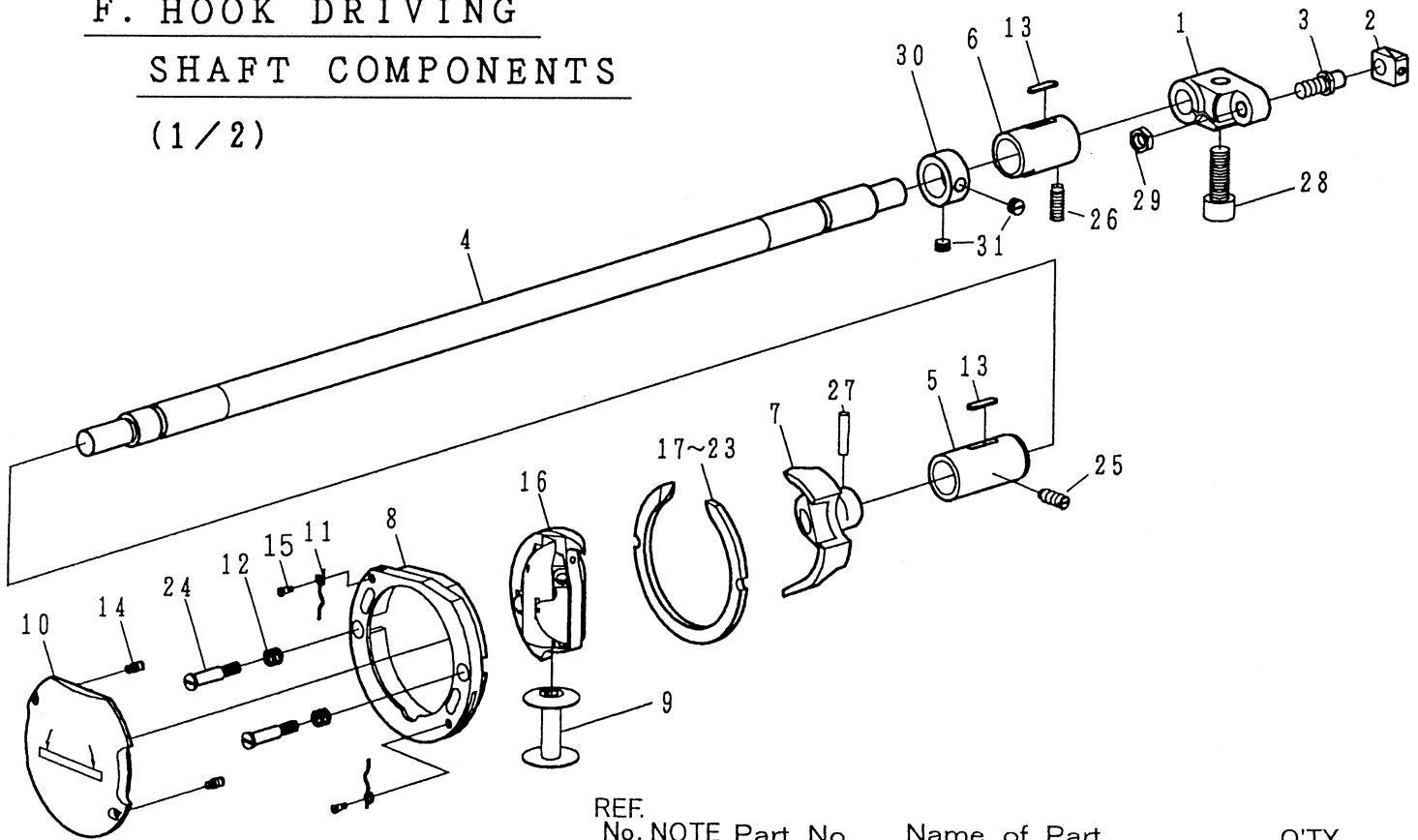
E. FEED MECHANISM COMPONENTS (2/2)



| REF.No | Part No. | Name of Part | Q'TY |
|--------|------------|-------------------------|------|
| 1 | 4710160900 | Rod ----- | 1 |
| 2 | 4710161000 | Feed Connecting Link -- | 1 |
| 3 | 4710161100 | Feed Regulator ----- | 1 |
| 4 | 4710161200 | Lever ----- | 1 |
| 5 | 4710161300 | Side Cover----- | 1 |
| 6 | 4710161600 | Lever Grip----- | 1 |
| 7 | 4710161800 | Lever Shaft ----- | 1 |
| 8 | 4710161900 | Nut ----- | 1 |
| 9 | 4710162000 | Spring----- | 1 |
| 10 | 4710162200 | Support Plate ----- | 1 |
| 11 | 4710162300 | Ball ----- | 1 |
| 12 | ZSK18018 | Hinge Screw, A ----- | 1 |
| 13 | ZSK18020 | Hinge Screw, B ----- | 1 |
| 14 | ZSL18001 | Nut 9/32-28 ----- | 1 |
| 15 | ZSB12015 | Screw 3/16-28 L=12 --- | 2 |
| 16 | ZSB12036 | Screw 3/16-32 L=18 --- | 1 |
| 17 | ZSB15019 | Screw 15/64-28 L=9 --- | 2 |
| 18 | ZML08001 | Nut ----- | 1 |

F. HOOK DRIVING SHAFT COMPONENTS

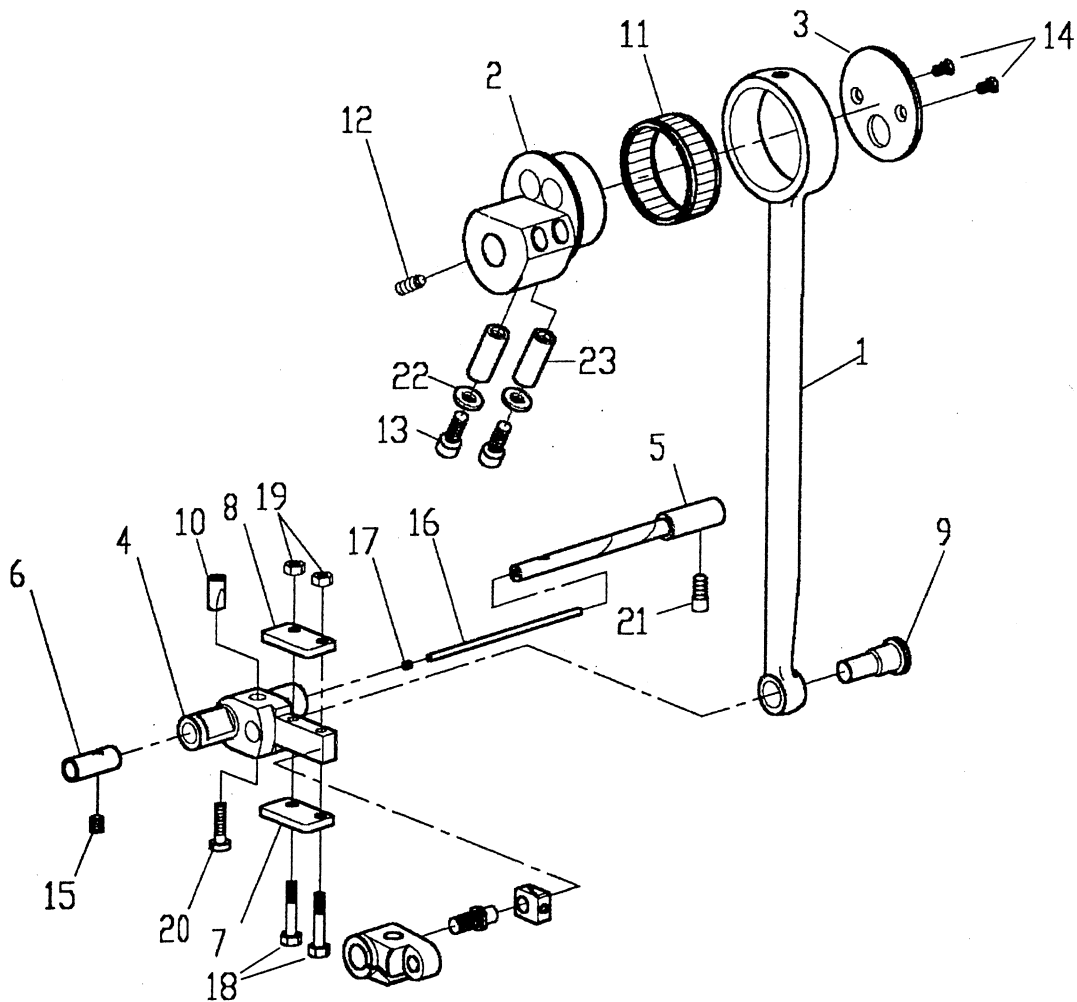
(1/2)



| REF. No. | NOTE | Part No. | Name of Part | Q'TY |
|----------|------|------------|-----------------------------|------|
| 1 | | 4710182500 | Hook Driving Shaft Crank | 1 |
| 2 | | 4710182600 | Crank Slide Block | 1 |
| 3 | | 4710182700 | Slide Block Stud | 1 |
| 4 | | 4710180100 | Hook Driving Shaft | 1 |
| 5 | | 4710180300 | Bushing, Front | 1 |
| 6 | | 4710180500 | Bushing, Rear | 1 |
| 7 | | 4410181600 | Shuttle Driver | 1 |
| 8 | | 4710181400 | Shuttle Race Body | 1 |
| 9 | | 4710183200 | Bobbin | 1 |
| 10 | | 4710183600 | Hook Cover | 1 |
| 11 | | 4710183700 | Hook Cover Spring | 2 |
| 12 | | 4710183800 | Hook Counter Sprig | 2 |
| 13 | | 4710183900 | Oil Felt | 2 |
| 14 | | 4710184000 | Screw | 2 |
| 15 | | ZSG06004 | Hinge Screw D=2.6 L=2.7 | 2 |
| 16 | | 4710181300 | Hook Cover | 1 |
| 17 | #03 | 4710184210 | Distance Piece | (1) |
| 18 | #03 | 4710184220 | Distance Piece | (1) |
| 19 | #03 | 4710184230 | Distance Piece | (1) |
| 20 | | 4710184200 | Distance Piece (Standard) | 1 |
| 21 | #03 | 4710184240 | Distance Piece | (1) |
| 22 | #03 | 4710184250 | Distance Piece | (1) |
| 23 | #03 | 4710184260 | Distance Piece | (1) |
| 24 | | ZSG12047 | Screw | 2 |
| 25 | | ZSA15010 | Screw 15/64-28 L=15 | 1 |
| 26 | | ZSA15010 | Screw 15/64-28 L=15 | 1 |
| 27 | | YB040016 | Tapered Pin 4.0X16 | 1 |
| 28 | | ZMJ08003 | Screw M8 L=30 | 1 |
| 29 | | ZSL18003 | Nut 9/32-28 | 1 |
| 30 | | LG4044-0A | Thrust Collar D=14.72 W=10- | 1 |
| 31 | | ZSA16029 | Screw 1/4-40 L=3.5 | 2 |

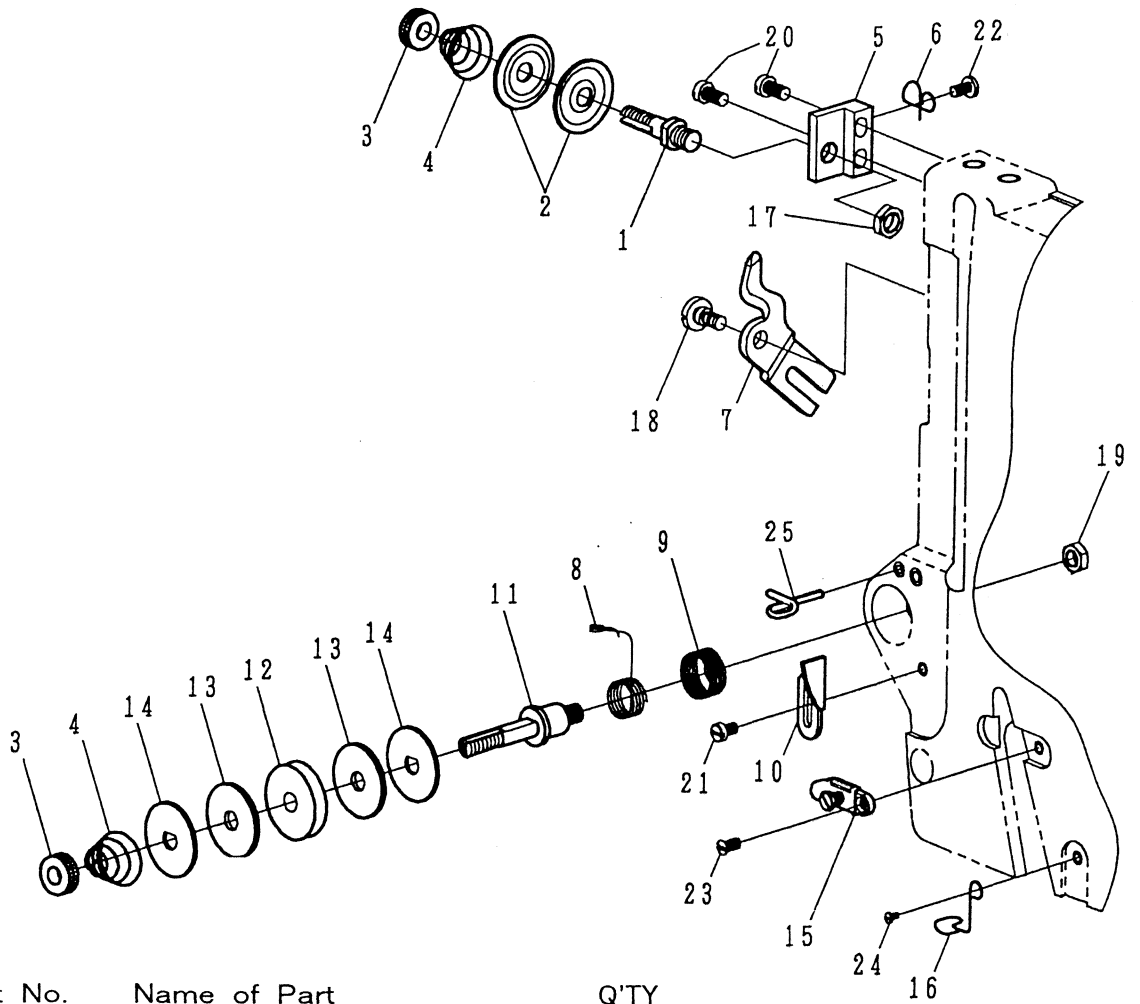
Notes #03. Elective part

F. HOOK DRIVING SHAFT COMPONENTS (2/2)



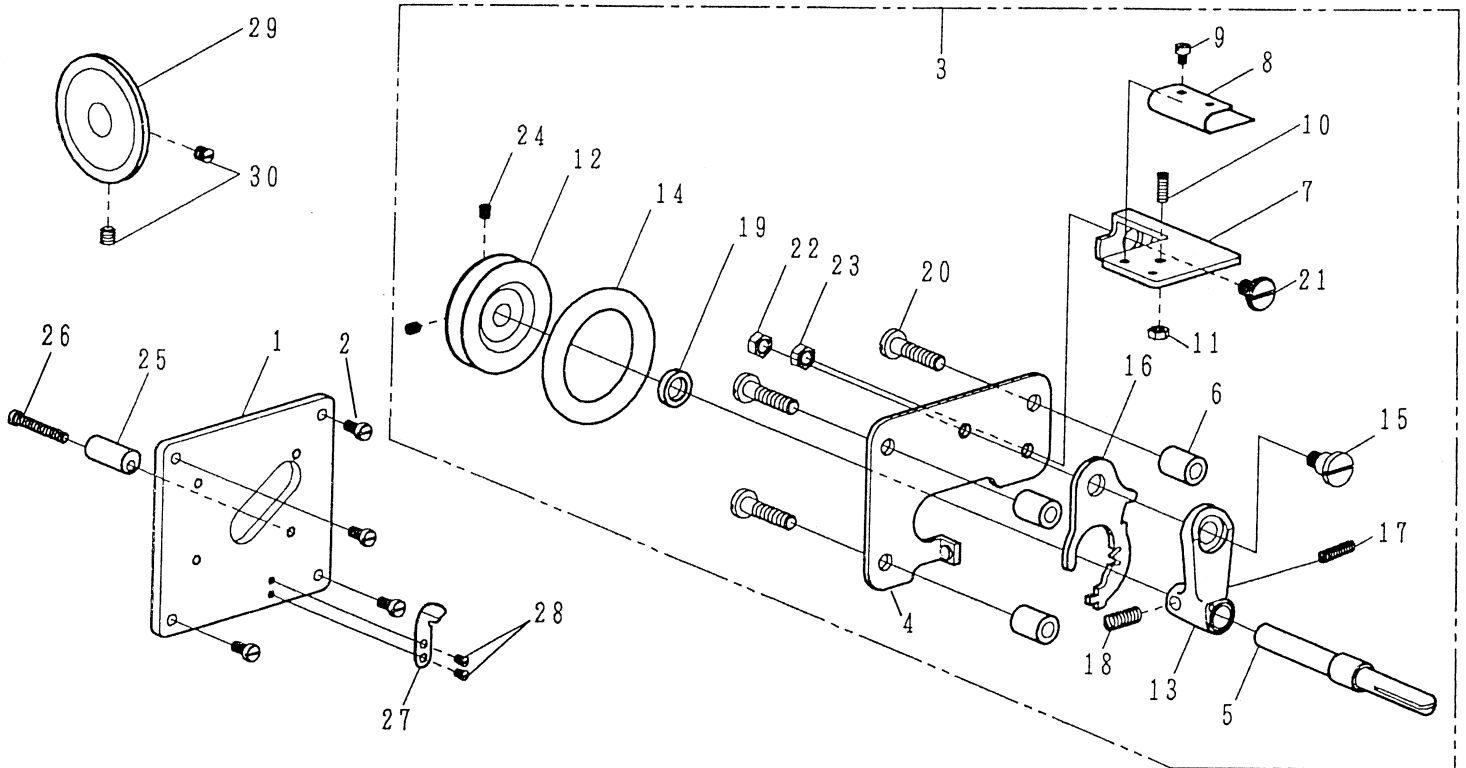
| REF.No. | Part No. | Name of Part | Q'TY |
|---------|------------|-----------------------|------|
| 1 | 4710181800 | Connecting Rod | 1 |
| 2 | 4710181900 | Con-Rod Eccentric Cam | 1 |
| 3 | 4710182000 | Cam Side Plate | 1 |
| 4 | 4710182200 | Oscilating Rock Shaft | 1 |
| 5 | 4710182300 | Hjnge Pin | 1 |
| 6 | 4710182400 | Rock Shaft Bushing | 1 |
| 7 | 4710182800 | Slide Plate A | 1 |
| 8 | 4710182900 | Slide Plate B | 1 |
| 9 | 4710183000 | Con-Rod Pin | 1 |
| 10 | 4710183100 | Con-Rod Pin Wedge | 1 |
| 11 | 4710182100 | Cage&Roller | 1 |
| 12 | ZSH15006 | Screw 15/64-28 L=15 | 1 |
| 13 | ZMJ06006 | Screw M8 L=30 | 2 |
| 14 | ZSC11002 | Screw 11/64-40 L=7 | 2 |
| 15 | ZSA15028 | Screw 15/64-28 L=7 | 1 |
| 16 | XA300085 | Oil Wick | 1 |
| 17 | LG1275-0A | Plug 2.9X3.2X3 | 1 |
| 18 | ZSD11010 | Screw | 2 |
| 19 | ZSL11002 | Nut 11/64-40 | 2 |
| 20 | ZSB12036 | Screw 3/16-32 L=18 | 1 |
| 21 | ZSJ15001 | Screw 15/64-28 L=10.7 | 1 |
| 22 | 4710183400 | PIN | 2 |
| 23 | WA06008 | Washer | 2 |

G. TENSION POST COMPONENTS



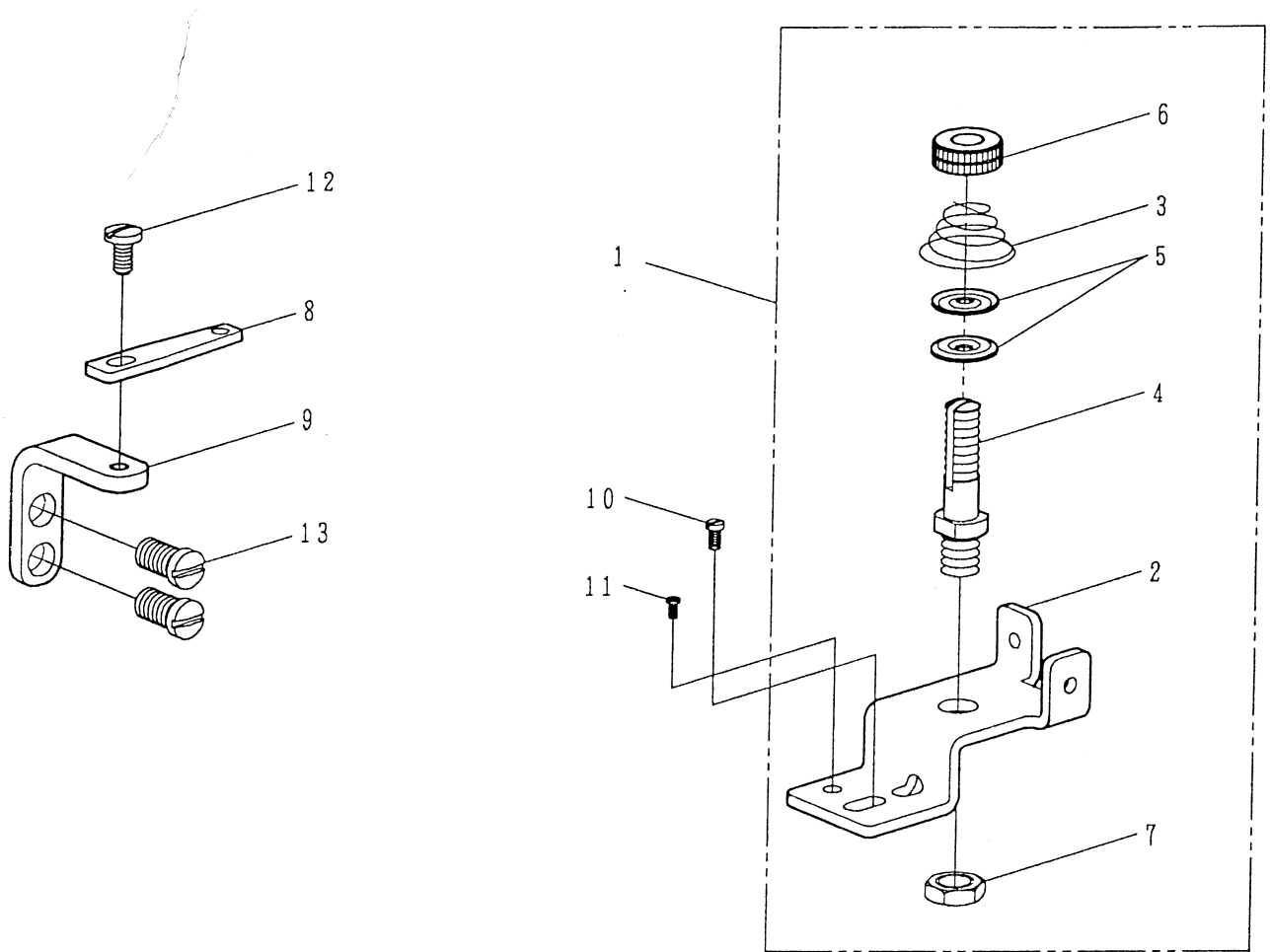
| REF.No | Part No. | Name of Part | Q'TY |
|--------|------------|-------------------------------|------|
| 1 | 4710310100 | Thread Tension Post----- | 1 |
| 2 | A1025-0A | Tension Disk----- | 2 |
| 3 | ZSN16004 | Thread Tension Stud Nut----- | 2 |
| 4 | 4710310400 | Thread Tension Spring----- | 2 |
| 5 | 4710310500 | Thread Tension Post Bracket-- | 1 |
| 6 | 4710310600 | Thread Tension Guide ----- | 1 |
| 7 | 4710310700 | Thread Releasing Plate----- | 1 |
| 8 | 4710310800 | Spring A----- | 1 |
| 9 | 4710310900 | Spring B----- | 1 |
| 10 | 4710311000 | Spring Support Plate----- | 1 |
| 11 | 4710311100 | Thread Tension Wheel Post--- | 1 |
| 12 | 4710311200 | Thread Tension Wheel ----- | 1 |
| 13 | XB123001 | Wheel Felt----- | 2 |
| 14 | 4710311400 | Felt Support Plate ----- | 2 |
| 15 | 4710311605 | Arm Thread Guide Bottom Asm. | 1 |
| 16 | 4710312000 | Frame Thread Guide ----- | 1 |
| 17 | ZSL18003 | Nut 9/32-28 ----- | 1 |
| 18 | ZSG12046 | Hinge Screw D=6.0 L=3.2 ----- | 1 |
| 19 | ZSL15002 | Nut 15/64-28 ----- | 1 |
| 20 | ZSB11011 | Screw 11/64-40 L=9----- | 2 |
| 21 | ZSB09014 | Screw 9/64-40 L=6.0----- | 1 |
| 22 | ZSB09047 | Screw 9/64-40 L=7----- | 1 |
| 23 | ZSC09005 | Screw 9/64-40 L=5----- | 1 |
| 24 | ZSB09047 | Screw 9/64-40 L=7----- | 1 |
| 25 | 4710113300 | Thread Guide ----- | 1 |

H. THREAD WINDER & THREAD GUIDE COMPONENTS (1/2)



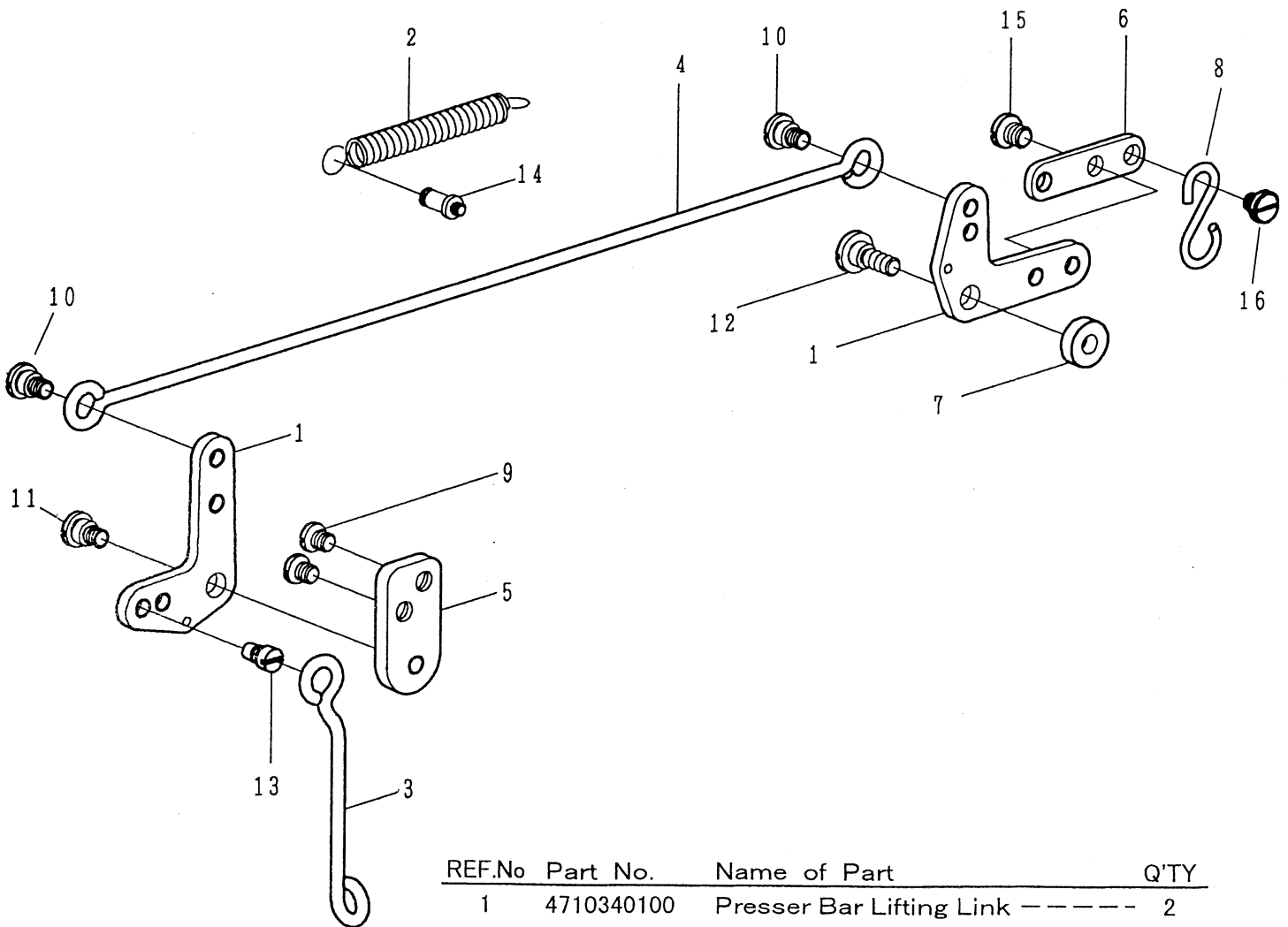
| REF.No | Part No. | Name of Part | Q'TY |
|--------|------------|-------------------------------|------|
| 1 | 4710320100 | Thread Winder Plate | 1 |
| 2 | ZSB11011 | Screw 11/64-40 L=9 | 4 |
| 3 | 4710320805 | Thread Winder Asm . | 1 |
| 4 | 4710320800 | Thread Winder Base | (1) |
| 5 | 4710320900 | Thread Winder Shaft | (1) |
| 6 | 4710321000 | Spacer | (3) |
| 7 | 4710321100 | Bobbin Presser | (1) |
| 8 | 4710321200 | Bobbin Presser Spring | (1) |
| 9 | ZSB06008 | Screw 3/32-56 L=3.3 | (2) |
| 10 | ZSA08007 | Adjusting Screw | (1) |
| 11 | ZSL08001 | Nut 1/8-44 | (1) |
| 12 | 4710321300 | Bobbin Winder Wheel | (1) |
| 13 | 4710321400 | Bobbin Winder Frame | (1) |
| 14 | 4710322000 | Wheel Ring | (1) |
| 15 | ZSG11059 | Hinge Screw | (1) |
| 16 | 4710321500 | Bobbin Winder Tension Bracket | (1) |
| 17 | 4710321600 | Spring | (1) |
| 18 | 4710321800 | Bobbin Winder Spring | (1) |
| 19 | 4710321900 | Thread Winding Shaft Collar | (1) |
| 20 | ZSB11083 | Screw 11/64-40 L=18 | (3) |
| 21 | ZSG11057 | Hinge Screw D=7.24 L=1.9 | (1) |
| 22 | ZSL11007 | Nut 11/64-40 | (1) |
| 23 | ZSL11007 | Nut 11/64-40 | (1) |
| 24 | ZSA11003 | Screw 11/64-40 L=5 | (2) |
| 25 | 4710320300 | Stopper | 1 |
| 26 | ZSB11071 | Screw 11/64-40 L=30 | 1 |
| 27 | 4710320400 | Thread Cut & Clamp Plate | 1 |
| 28 | ZSB08008 | Screw 1/8-44 L=4 | 2 |
| 29 | 4710320500 | Friction Wheel | 1 |
| 30 | ZSA15028 | Screw 15/64-28 L=7 | 2 |

H. THREAD WINDER & THREAD GUIDE COMPONENTS (2/2)



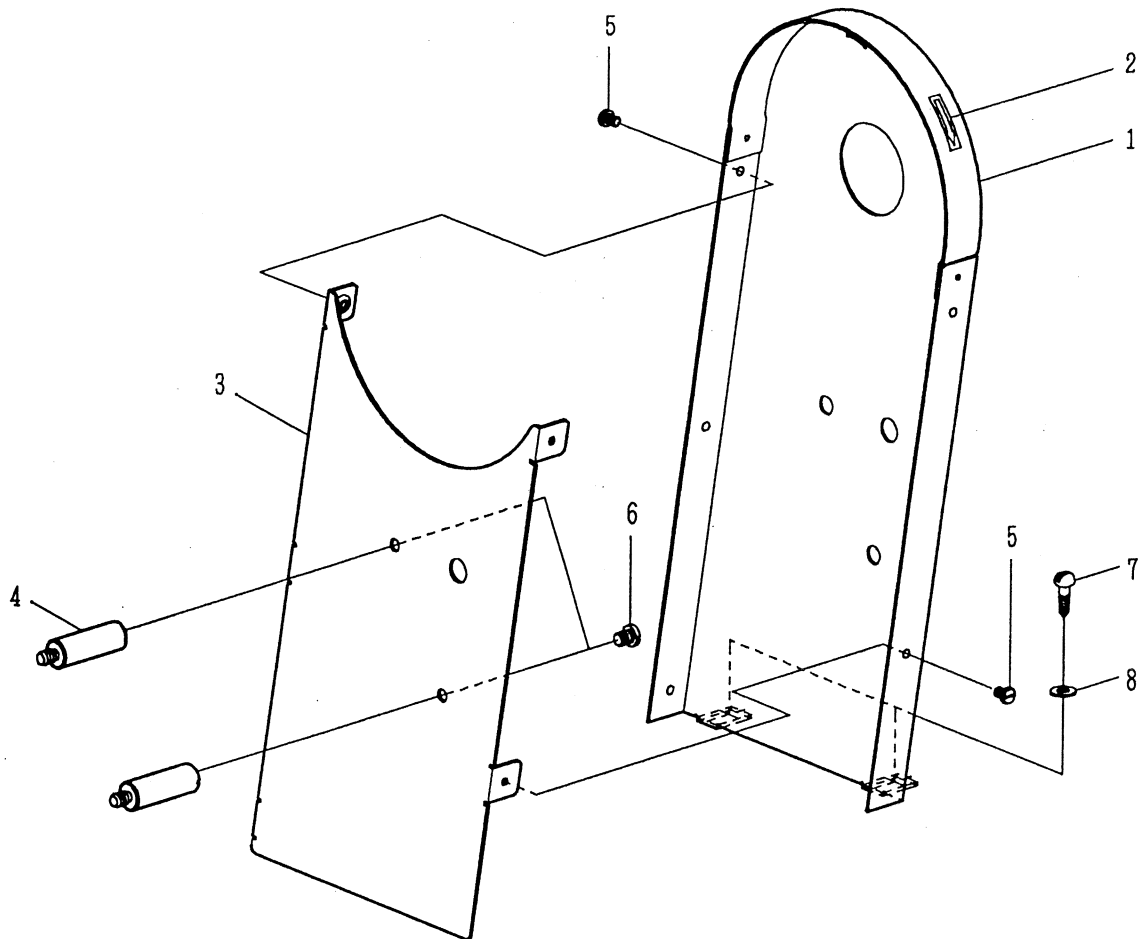
| REF.No | Part No. | Name of Part | Q'TY |
|--------|------------|-------------------------------|------|
| 1 | 4710313005 | Thread Winder Guide Base Asm. | 1 |
| 2 | 4710313000 | Thread Winder Guide Base | (1) |
| 3 | 4710313100 | Tension Sping | (1) |
| 4 | 4710310100 | Thread Tension Post | (1) |
| 5 | A1025-0A | Tension Disk | (2) |
| 6 | ZSN16004 | Thread Tension Stud' Nut | (1) |
| 7 | ZSL18003 | Nut 9/32-28 | (1) |
| 8 | 4710322200 | Thread Guide | 1 |
| 9 | 4710322300 | Guide Bracket | 1 |
| 10 | ZSB11015 | Screw 11/64-40 L=8.5 | 1 |
| 11 | ZSB08001 | Screw 1/8-44 L=6 | 1 |
| 12 | ZSB09047 | Screw 9/64-40 L=7 | 1 |
| 13 | ZSB15004 | Screw 15/64-28 L=10.5 | 2 |

I. KNEE LIFTER COMPONENTS



| REF.No | Part No. | Name of Part | Q'TY |
|--------|------------|----------------------------|------|
| 1 | 4710340100 | Presser Bar Lifting Link | 2 |
| 2 | 4710340200 | Presser Bar Lifting Spring | 1 |
| 3 | 4710340300 | Presser Bar Lifting Bar | 1 |
| 4 | 4710340400 | Side Connecting Bar | 1 |
| 5 | 4710340500 | Link Base | 1 |
| 6 | 4710340600 | Link Plate | 1 |
| 7 | 4710340700 | Link Collar | 1 |
| 8 | 4710340800 | S-Plug | 1 |
| 9 | ZSB15001 | Screw 15/64-28 L=6.5 | 2 |
| 10 | ZSG15045 | Hinge Screw D=7.94 L=4.3 | 2 |
| 11 | ZSG15045 | Hinge Screw D=7.94 L=4.3 | 1 |
| 12 | ZSG15046 | Hinge Screw D=7.94 L=4.3 | 1 |
| 13 | 4710341200 | Hinge Screw | 1 |
| 14 | ZSK11037 | Spring Suspension | 1 |
| 15 | ZSB15001 | Screw 15/64-28 L=6.5 | 2 |
| 16 | ZSG16025 | Hinge Screw D=8.0 L=3.4 | 1 |

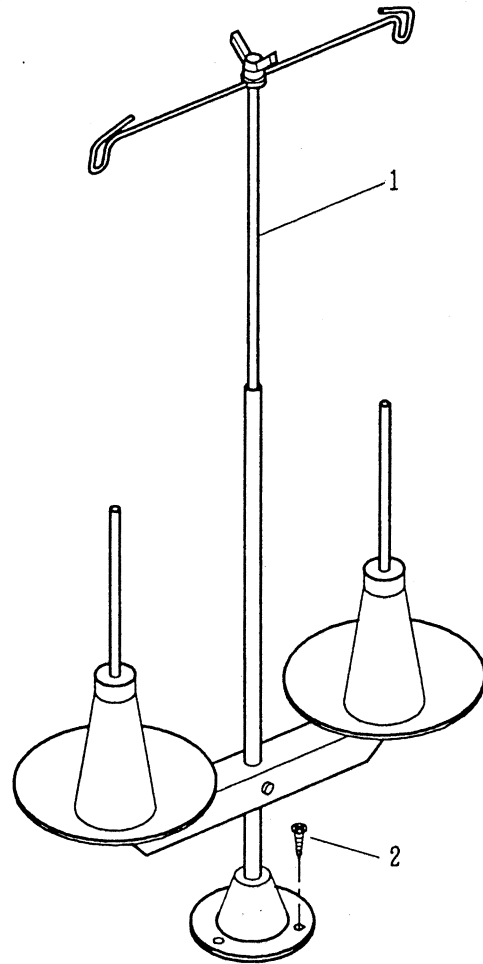
J. BELT COVER COMPONENTS



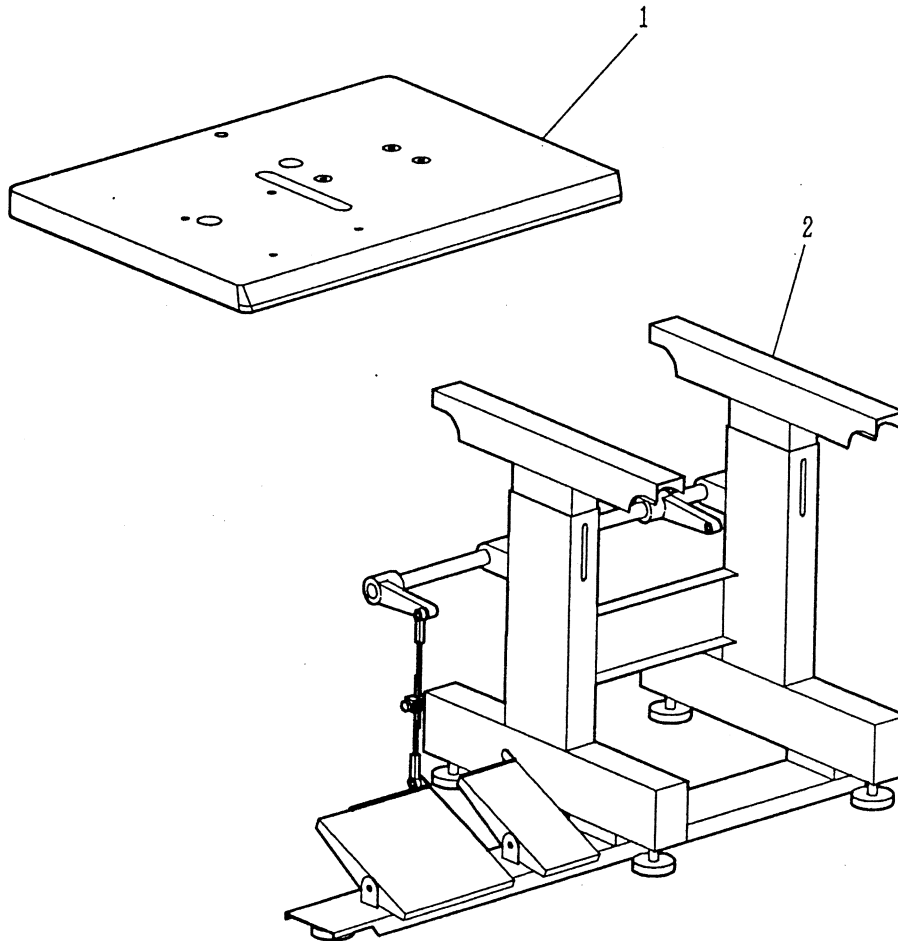
| REF.No | Part No. | Name of Part | Q'TY |
|--------|------------|-----------------------------|------|
| 1 | 4710335100 | Belt Cover A----- | 1 |
| 2 | 4710335400 | Direction Label----- | 1 |
| 3 | 4710335200 | Belt Cover B----- | 1 |
| 4 | 4710335300 | Belt Cover Stud ----- | 2 |
| 5 | ZSB11008 | Screw 11/64-40 L=5 ----- | 5 |
| 6 | ZSB15001 | Screw 15/64-28 L=6.5 ----- | 2 |
| 7 | ZMT05003 | Wood Screw D=8.3 L=18 ----- | 2 |
| 8 | WA059005 | Washer 5X10.5X1 ----- | 2 |

K. THREAD STAND COMPONENTS

| REF.No | Part No. | Name of Part | Q'TY |
|--------|----------|-----------------|------|
| 1 | A7050-0A | Shread Stand | 1 |
| 2 | ZMT05001 | Wood Screw L=18 | 3 |

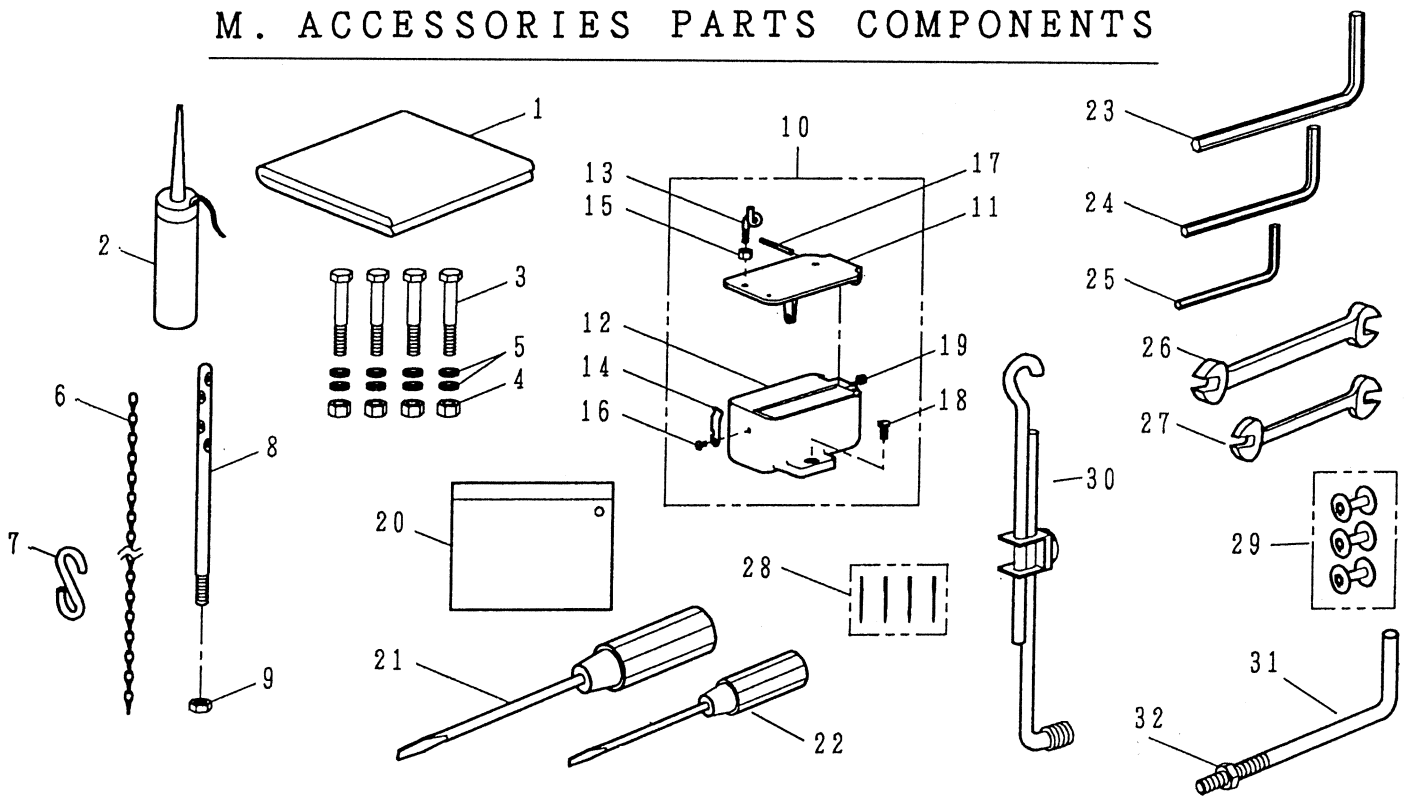


L. TABLE COMPONENTS



| <u>REF.No</u> | <u>Part No.</u> | <u>Name of Part</u> | <u>Q'TY</u> |
|---------------|-----------------|---------------------|-------------|
| 1 | 4710820100 | Table ----- | 1 |
| 2 | 0 | Stand ----- | 1 |

M. ACCESSORIES PARTS COMPONENTS



| REF.No | NOTE | Part No. | Name of Part | Q'TY |
|--------|------|------------|---------------------------|------|
| 1 | | A7001-0A | Cover | 1 |
| 2 | | A7012-1A | Oiler Asm. | 1 |
| 3 | | ZMD10002 | Screw M10 L=65 | 4 |
| 4 | | ZML10004 | Nut M10 | 4 |
| 5 | | WA110003 | Washer 11X21X2 | 8 |
| 6 | | 4710341400 | Chain | 1 |
| 7 | | 4710340800 | S-Plug | 1 |
| 8 | | 4710113400 | Needle Thread Guide Pin | 1 |
| 9 | | ZSL12003 | Nut 3/16-32 | 1 |
| 10 | | 4710911005 | Oil Pot Asm. | 1 |
| 11 | | 4710911100 | Oil Pot Cover | (1) |
| 12 | | 4710911000 | Oil Pot | (1) |
| 13 | | 4710911200 | Frame Thread Guide | (1) |
| 14 | | 4710911300 | Cover Stopper | (1) |
| 15 | | ZSL06001 | Nut 3/32-56 | (1) |
| 16 | | ZSB09047 | Screw 9/64-40 L=7 | (1) |
| 17 | | 4710911400 | Pin | (1) |
| 18 | | ZSB15005 | Screw 15/64-28 L=12 | (1) |
| 19 | | ZSA09005 | Screw 9/64-40 L=3.5 | (1) |
| 20 | | A7000-0A | Accessory Box | 1 |
| 21 | | A7010-2A | Screw Driver, Large | 1 |
| 22 | | A7010-0A | Screw Driver, Small | 1 |
| 23 | | EH7141-5A | Hexagonal Wrench Key(5mm) | 1 |
| 24 | | EH7141-6A | Hexagonal Wrench Key(4mm) | 1 |
| 25 | | EH7141-4A | Hexagonal Wrench Key(3mm) | 1 |
| 26 | | LG7200-0A | Wrench (11X14) | 1 |
| 27 | | LG7201-0A | Wrench (9X10) | 1 |
| 28 | | IN794#230 | Needle (794 Nm=230-4) | 1 |
| 29 | | 4710183200 | Bobbin | 3 |
| 30 | #06 | 0 | Motor Connecting Rod Asm. | (1) |
| 31 | #03 | 0 | Supporting Arm | (1) |
| 32 | #03 | ZSL15004 | Nut 15/64-28 | (1) |

Notes #03. Optional part
#06. H & M only

N. NUMERICAL PARTS—LIST (1/3)

| <u>Part No.</u> | <u>PAGE/#</u> | <u>Part No.</u> | <u>PAGE/#</u> | <u>Part No.</u> | <u>PAGE/#</u> |
|-----------------|---------------|-----------------|---------------|-----------------|---------------|
| 4410111005 | 3-1 | 4710122500 | 5-13 | 4710151600 | 17-18 |
| 4410111200 | 3-4 | 4710140100 | 11-1 | 4710151700 | 17-19 |
| 4410111300 | 3-6 | 4710140400 | 11-2 | 4710151800 | 17-20 |
| 4410111400 | 3-16 | 4710140500 | 11-27 | 4710151900 | 17-21 |
| 4410121000 | 5-6 | 4710140500 | 11-3 | 4710152000 | 17-22 |
| 4410140100 | 9-1 | 4710140700 | 11-4 | 4710152500 | 17-16 |
| 4410140200 | 9-5 | 4710140900 | 11-5 | 4710160100 | 19-1 |
| 4410140900 | 9-3 | 4710141200 | 11-7 | 4710160200 | 19-2 |
| 4410141900 | 7-6 | 4710141300 | 11-8 | 4710160300 | 19-3 |
| 4410142000 | 7-9 | 4710142000 | 11-14 | 4710160404 | 19-4 |
| 4410142100 | 7-1 | 4710142101 | 11-15 | 4710160600 | 19-5 |
| 4410142300 | 7-4 | 4710142201 | 11-16 | 4710160700 | 19-6 |
| 4410142400 | 7-5 | 4710142301 | 11-17 | 4710160800 | 19-8 |
| 4410142900 | 9-26 | 4710142401 | 11-18 | 4710160900 | 21-1 |
| 4410143100 | 7-7 | 4710142500 | 11-19 | 4710161000 | 21-2 |
| 4410143300 | 9-24 | 4710142600 | 11-20 | 4710161100 | 21-3 |
| 4410143600 | 9-23 | 4710142700 | 11-21 | 4710161200 | 21-4 |
| 4410143700 | 9-6 | 4710142800 | 11-22 | 4710161300 | 21-5 |
| 4410143800 | 17-12 | 4710142900 | 11-23 | 4710161400 | 19-10 |
| 4410143805 | 17-11 | 4710143000 | 11-24 | 4710161600 | 21-6 |
| 4410145600 | 7-2 | 4710143100 | 13-1 | 4710161700 | 19-11 |
| 4410150100 | 9-22 | 4710143200 | 13-2 | 4710161800 | 21-7 |
| 4410150400 | 17-4 | 4710143300 | 13-3 | 4710161900 | 21-8 |
| 4410150500 | 17-6 | 4710143400 | 13-4 | 4710162000 | 21-9 |
| 4410151000 | 9-25 | 4710143500 | 13-5 | 4710162100 | 19-12 |
| 4410151100 | 9-30 | 4710143600 | 13-6 | 4710162200 | 21-10 |
| 4410152500 | 17-13 | 4710143700 | 13-7 | 4710162300 | 21-11 |
| 4410160800 | 19-7 | 4710143800 | 13-8 | 4710180100 | 23-4 |
| 4410161400 | 19-9 | 4710143900 | 11-25 | 4710180300 | 23-5 |
| 4410181600 | 23-7 | 4710144100 | 13-12 | 4710180500 | 23-6 |
| 4410270100 | 9-2 | 4710144200 | 13-16 | 4710181300 | 23-16 |
| 4410270200 | 9-9 | 4710144401 | 15-1 | 4710181400 | 23-8 |
| 4410270400 | 9-11 | 4710144500 | 15-2 | 4710181800 | 25-1 |
| 4410272200 | 9-8 | 4710144600 | 15-3 | 4710181900 | 25-2 |
| 4410272300 | 9-7 | 4710144700 | 15-4 | 4710182000 | 25-3 |
| 4410273000 | 9-10 | 4710144800 | 15-5 | 4710182100 | 25-11 |
| 4710111005 | 3-2 | 4710144900 | 15-6 | 4710182200 | 25-4 |
| 4710111100 | 3-3 | 4710145000 | 15-7 | 4710182300 | 25-5 |
| 4710111200 | 3-5 | 4710145100 | 15-8 | 4710182400 | 25-6 |
| 4710111300 | 3-7 | 4710150100 | 17-1 | 4710182500 | 23-1 |
| 4710111400 | 3-17 | 4710150200 | 17-2 | 4710182600 | 23-2 |
| 4710111600 | 3-8 | 4710150300 | 17-3 | 4710182700 | 23-3 |
| 4710113400 | 41-8 | 4710150400 | 17-5 | 4710182800 | 25-7 |
| 4710120300 | 5-3 | 4710150500 | 17-7 | 4710182900 | 25-8 |
| 4710120400 | 5-4 | 4710150600 | 17-8 | 4710183000 | 25-9 |
| 4710121000 | 5-7 | 4710150700 | 17-9 | 4710183100 | 25-10 |
| 4710121100 | 5-8 | 4710150800 | 17-10 | 4710183200 | 23-9 |
| 4710121300 | 5-9 | 4710151000 | 17-15 | 4710183200 | 41-29 |
| 4710122000 | 5-10 | 4710151005 | 17-14 | 4710183600 | 23-10 |
| 4710122100 | 5-11 | 4710151500 | 17-17 | 4710183700 | 23-11 |
| 4710122304 | 5-12 | 4710151600 | 17-18 | 4710183800 | 23-12 |

N. NUMERICAL PARTS—LIST (2/3)

| Part No. | PAGE/# | Part No. | PAGE/# | Part No. | PAGE/# |
|------------|--------|------------|--------|----------|--------|
| 4710183900 | 23-13 | 4710335100 | 35-1 | RE000040 | 5-31 |
| 4710184000 | 23-14 | 4710335200 | 35-3 | RE000080 | 11-40 |
| 4710184200 | 23-20 | 4710335300 | 35-4 | RE000080 | 13-18 |
| 4710184210 | 23-17 | 4710335400 | 35-2 | RE000080 | 13-19 |
| 4710184220 | 23-18 | 4710340100 | 33-1 | RE000080 | 13-22 |
| 4710184230 | 23-19 | 4710340200 | 33-2 | RE000080 | 15-17 |
| 4710184240 | 23-21 | 4710340300 | 33-3 | RE000080 | 19-19 |
| 4710184250 | 23-22 | 4710340400 | 33-4 | RE000080 | 19-22 |
| 4710184260 | 23-23 | 4710340500 | 33-5 | RE000080 | 7-19 |
| 4710190100 | 5-25 | 4710340600 | 33-6 | RE000080 | 7-20 |
| 4710190200 | 5-26 | 4710340700 | 33-7 | RE000080 | 9-29 |
| 4710190220 | 5-27 | 4710340800 | 33-8 | S1013-0A | 3-10 |
| 4710190230 | 5-28 | 4710340800 | 41-7 | WA059005 | 35-8 |
| 4710190300 | 5-29 | 4710341200 | 33-13 | WA100009 | 17-31 |
| 4710191301 | 5-5 | 4710341400 | 41-6 | WA110003 | 41-5 |
| 4710310100 | 27-1 | 4710820100 | 39-1 | WC049001 | 3-14 |
| 4710310100 | 31-4 | 4710911000 | 41-12 | WH208005 | 15-10 |
| 4710310400 | 27-4 | 4710911005 | 41-10 | XA200100 | 9-21 |
| 4710310500 | 27-5 | 4710911100 | 41-11 | XA200160 | 5-15 |
| 4710310600 | 27-6 | 4710911200 | 41-13 | XA300085 | 25-16 |
| 4710310700 | 27-7 | 4710911300 | 41-14 | XB123001 | 27-13 |
| 4710310800 | 27-8 | 4710911400 | 41-17 | YB040016 | 23-27 |
| 4710310900 | 27-9 | 4710113300 | 27-25 | YB040045 | 5-18 |
| 4710311000 | 27-10 | 4710120101 | 5-1 | YD025014 | 11-37 |
| 4710311100 | 27-11 | 4710120201 | 5-2 | YD030020 | 17-32 |
| 4710311200 | 27-12 | 4710122601 | 5-14 | YD050018 | 3-9 |
| 4710311400 | 27-14 | 4710142201 | 7-3 | ZMD10002 | 41-3 |
| 4710311605 | 27-15 | A1025-0A | 27-2 | ZMH06005 | 9-12 |
| 4710312000 | 27-16 | A1025-0A | 31-5 | ZMH06005 | 9-14 |
| 4710313000 | 31-2 | A7000-0A | 41-20 | ZMH06005 | 9-17 |
| 4710313005 | 31-1 | A7001-0A | 41-1 | ZMH06010 | 9-13 |
| 4710313100 | 31-3 | A7010-0A | 41-22 | ZMJ06002 | 11-33 |
| 4710320100 | 29-1 | A7010-2A | 41-21 | ZMJ06002 | 15-13 |
| 4710320300 | 29-25 | A7012-1A | 41-2 | ZMJ06002 | 9-18 |
| 4710320400 | 29-27 | A7050-0A | 37-1 | ZMJ06004 | 19-21 |
| 4710320500 | 29-29 | E1288-0A | 13-17 | ZMJ08003 | 23-28 |
| 4710320800 | 29-4 | EH7141-4A | 41-25 | ZMJ08003 | 25-13 |
| 4710320805 | 29-3 | EH7141-5A | 41-23 | ZML10004 | 41-4 |
| 4710320900 | 29-5 | EH7141-6A | 41-24 | ZMT05001 | 37-2 |
| 4710321000 | 29-6 | IN794#230 | 11-6 | ZMT05003 | 35-7 |
| 4710321100 | 29-7 | IN794#230 | 41-28 | ZSA08007 | 29-10 |
| 4710321200 | 29-8 | IN794#230 | 9-4 | ZSA09005 | 41-19 |
| 4710321300 | 29-12 | LG1274-0A | 11-34 | ZSA11003 | 29-24 |
| 4710321400 | 29-13 | LG1275-0A | 25-17 | ZSA15010 | 23-25 |
| 4710321500 | 29-16 | LG4014-0A | 19-28 | ZSA15010 | 23-26 |
| 4710321600 | 29-17 | LG4043-0A | 11-28 | ZSA15010 | 25-12 |
| 4710321800 | 29-18 | LG4043-0A | 7-10 | ZSA15010 | 5-16 |
| 4710321900 | 29-19 | LG4044-0A | 19-27 | ZSA15013 | 11-9 |
| 4710322000 | 29-14 | LG4044-0A | 23-30 | | |
| 4710322200 | 31-8 | LG7200-0A | 41-26 | | |
| 4710322300 | 31-9 | LG7201-0A | 41-27 | | |

N. NUMERICAL PARTS—LIST (3/3)

| <u>Part No.</u> | <u>PAGE/#</u> | <u>Part No.</u> | <u>PAGE/#</u> | <u>Part No.</u> | <u>PAGE/#</u> |
|-----------------|---------------|-----------------|---------------|-----------------|---------------|
| ZSA15028 | 11-30 | ZSB12015 | 21-15 | ZSH16005 | 17-23 |
| ZSA15028 | 11-35 | ZSB12016 | 17-30 | ZSH16005 | 7-14 |
| ZSA15028 | 11-36 | ZSB12036 | 21-16 | ZSH16005 | 9-16 |
| ZSA15028 | 15-16 | ZSB12036 | 25-20 | ZSJ15001 | 25-21 |
| ZSA15028 | 19-25 | ZSB12045 | 3-11 | ZSJ16001 | 17-29 |
| ZSA15028 | 25-15 | ZSB15001 | 33-15 | ZSK11037 | 33-14 |
| ZSA15028 | 29-30 | ZSB15001 | 33-9 | ZSK18018 | 21-12 |
| ZSA15028 | 5-21 | ZSB15001 | 35-6 | ZSK18019 | 13-10 |
| ZSA15028 | 7-12 | ZSB15004 | 31-13 | ZSK18019 | 13-11 |
| ZSA15028 | 7-13 | ZSB15004 | 9-20 | ZSK18019 | 13-20 |
| ZSA15037 | 19-20 | ZSB15005 | 13-21 | ZSK18019 | 15-11 |
| ZSA15037 | 19-26 | ZSB15005 | 13-23 | ZSK18019 | 7-8 |
| ZSA16010 | 11-29 | ZSB15005 | 41-18 | ZSK18019 | 9-28 |
| ZSA16010 | 7-11 | ZSB15014 | 3-12 | ZSK18020 | 21-13 |
| ZSA16025 | 15-12 | ZSB15015 | 7-15 | ZSK20006 | 13-9 |
| ZSA16025 | 5-24 | ZSB15019 | 21-17 | ZSK20007 | 19-13 |
| ZSA16029 | 19-23 | ZSB15032 | 11-11 | ZSK20009 | 11-26 |
| ZSA16029 | 23-31 | ZSC09005 | 27-23 | ZSK20009 | 19-14 |
| ZSA16039 | 11-10 | ZSC11002 | 25-14 | ZSK20009 | 19-15 |
| ZSA16039 | 17-24 | ZSC11007 | 5-22 | ZSK20009 | 7-18 |
| ZSB06008 | 29-9 | ZSC18001 | 5-20 | ZSL06001 | 41-15 |
| ZSB08001 | 31-11 | ZSD11010 | 25-18 | ZSL08001 | 29-11 |
| ZSB08008 | 29-28 | ZSD20003 | 5-23 | ZSL09001 | 17-28 |
| ZSB09014 | 27-21 | ZSD20009 | 7-17 | ZSL11002 | 25-19 |
| ZSB09047 | 27-22 | ZSD20011 | 15-14 | ZSL11004 | 11-39 |
| ZSB09047 | 27-24 | ZSD20011 | 7-16 | ZSL11007 | 29-22 |
| ZSB09047 | 3-13 | ZSF18001 | 13-14 | ZSL11007 | 29-23 |
| ZSB09047 | 31-12 | ZSG06004 | 23-15 | ZSL12003 | 41-9 |
| ZSB09047 | 41-16 | ZSG11057 | 29-21 | ZSL15002 | 27-19 |
| ZSB09061 | 17-27 | ZSG11058 | 13-13 | ZSL15004 | 41-32 |
| ZSB11008 | 35-5 | ZSG11059 | 29-15 | ZSL16004 | 19-17 |
| ZSB11011 | 27-20 | ZSG12046 | 27-18 | ZSL18001 | 21-14 |
| ZSB11011 | 29-2 | ZSG12047 | 23-24 | ZSL18001 | 5-19 |
| ZSB11015 | 31-10 | ZSG15045 | 33-10 | ZSL18001 | 5-32 |
| ZSB11018 | 3-15 | ZSG15045 | 33-11 | ZSL18003 | 13-15 |
| ZSB11022 | 11-12 | ZSG15046 | 33-12 | ZSL18003 | 23-29 |
| ZSB11022 | 9-15 | ZSG16024 | 19-16 | ZSL18003 | 27-17 |
| ZSB11026 | 13-24 | ZSG16025 | 33-16 | ZSL18003 | 31-7 |
| ZSB11035 | 19-24 | ZSG20012 | 5-30 | ZSL22001 | 15-15 |
| ZSB11041 | 19-18 | ZSG22002 | 15-9 | ZSN16004 | 27-3 |
| ZSB11041 | 9-27 | ZSH16001 | 11-32 | ZSN16004 | 31-6 |
| ZSB11042 | 9-31 | ZSH16001 | 17-26 | | |
| ZSB11057 | 11-38 | ZSH16001 | 5-17 | | |
| ZSB11071 | 29-26 | ZSH16002 | 11-31 | | |
| ZSB11076 | 11-13 | ZSH16005 | 17-23 | | |
| ZSB11076 | 9-19 | ZSH16005 | 7-14 | | |
| ZSB11083 | 29-20 | ZSH16005 | 9-16 | | |
| ZSB12002 | 17-25 | | | | |

Parts Manual for Models 756R-3 & 757R-3



| | | |
|----------------------|----------------------------|---------------------------------|
| Main Office | Miami Branch Office | West Coast Branch Office |
| 131 West 25th Street | 7855 N.W. 29th St. (#166) | 1400 South Broadway |
| New York, NY 10001 | Miami, FL 33122 | Los Angeles, CA 90015 |
| Tel: 212-741-7788 | Tel: 305-471-0200 | Tel: 213-745-8844 |
| Fax: 212-741-7787 | Fax: 305-471-0243 | Fax: 213-745-8855 |

e-mail: consew@worldnet.att.net web: www.consew.com