

CONSEW ^{Since 1898}®

CONSOLIDATED SEWING MACHINE CORP.

└ INDUSTRIAL SEWING & CUTTING EQUIPMENT

Model

555H

**Instructions & Parts
Manual**

1.Starting.

Passing it through the needle guide (G) and leaving some three to 10mm between its point and the acrylite circular plate (K), attach the needle (Z) to the chuck with the chuck wrench (Y), and connect the extension cord (X) to the electric source and its other end to the machine plug (C).

Turn on the switch (J) and the machine is ready to work.

2.Heating.

Set the number of the dial (F) to 10 and turn the switch (E) on.

After two to three minutes, the point of the needle bears an adequate temperature.

Then, turn the number of the dial back to three to six according to the necessity.

WARNING : 1. Put the switch off when no heating of the needle point is requi.

2.As circumference of the needle guide (H) alsogets hot, watch you hand.

3.Do not keep the heater in work for a long time.

3.Operation.

Set the stopper (B) according to the thickness of the material to drill.

Place the machine on the material and push down the handle (A) to drill, while holding the machine vertically with the other hand.

4.Care.

1) Do not use the heater when using the hollow needle and drilling chemical materials.

2) Take the electric cord (X) off from the electric source after work.

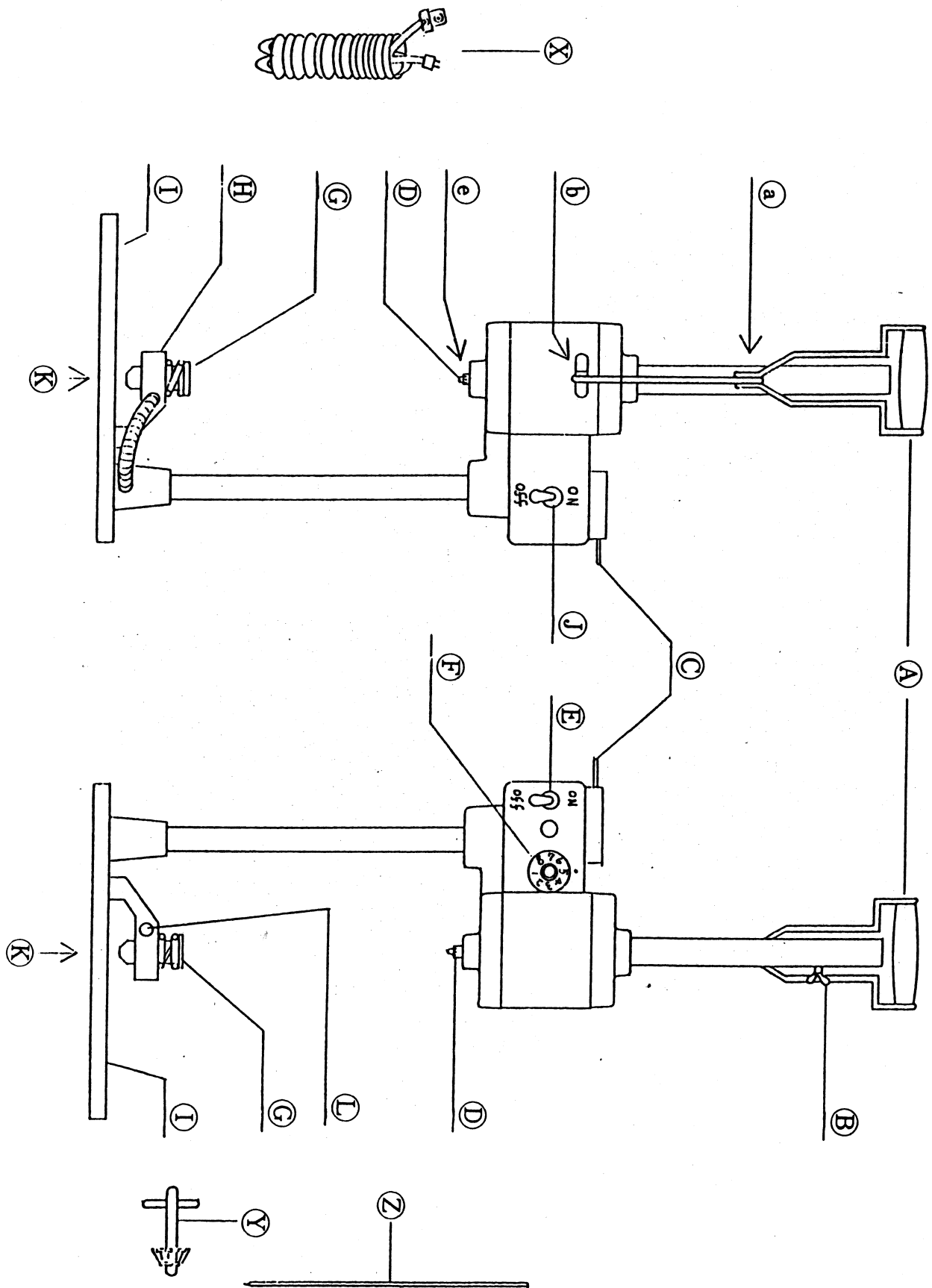
3) Clean the hole of the needle guide after work.

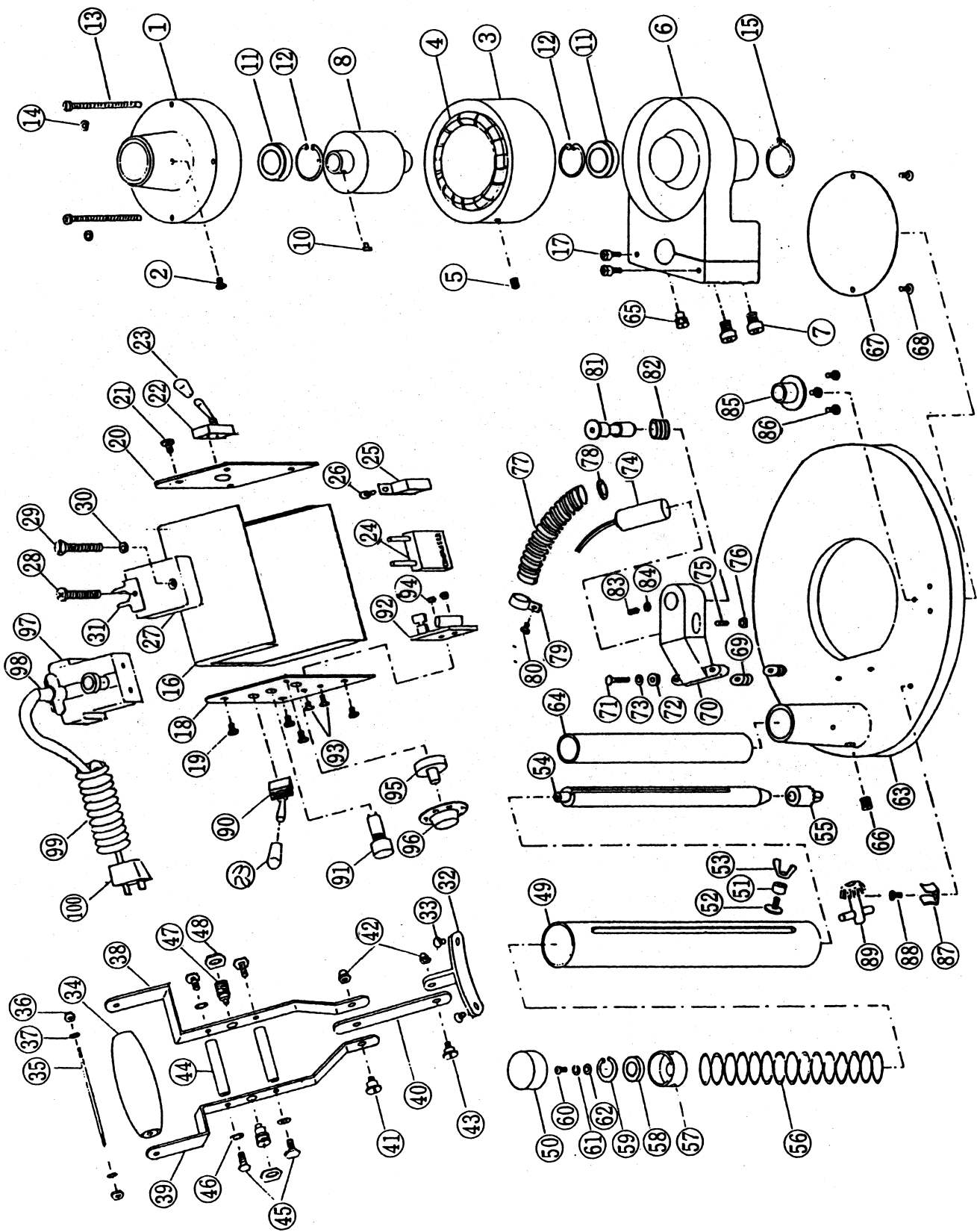
4) Apply the lubricating oil to the handle joints (marked as (a) and (b) in the illustration) and to the guide groove of the main shaft (c), pushing the handle up and down several times.

5) Please reset the needle guide, if use the different diameter of the needle.

(The original diameter : 2.0mm diameter)

DETAILS AND SPECIFICATIONS SUBJECT TO CHANGE WITHOUT NOTICE.





Parts No.	Parts Name Description	Unit Q'ty	Parts No.	Parts Name Description	Unit Q'ty
1	Motor upper cover	1 pce.	54	Drilling shaft	1 pce.
2	Screw for main pipe	2 pcs.	55	Needle chuck	1 pce.
3	Motor middle cover	1 pce.	56	Spring for drilling shaft	1 pce.
4	Motor field (Staytor)	1 pce.	57	Bearing holder	1 pce.
5	Screw for Motor field	1 pce.	58	Ball bearing (# 608)	1 pce.
6	Motor lower cover	1 pce.	59	Stop ring for above	1 pce.
7	Screw for lower cover	2 pcs.	60	Screw for drilling shaft	1 pce.
8	Rotor (Armature)	1 pce.	61&62	Spring washer & flat washer for above	1 pce.
9	Rotor shaft	1 pce.	63	Bed (base plate)	1 pce.
10	Key for rotor shaft	1 pce.	64	Columnar pipe	1 pce.
11	Ball bearing (6003zz)	2 pcs.	65	Screw for upside of columnar pipe	1 pce.
12	Stop ring	2 pcs.	66	Screw for bottom side of columnar pipe	1 pce.
13	Motor to cover fixed screw	4 pcs.	67	Acrylite circular plate	1 pce.
14	above washer	4 pcs.	68	above fixed screw	2 pcs.
15	Stop ring for lower cover	1 pce.	69	Adiabatic washer at bottom side	6 pcs.
16	Switch box	1 pce.	70	Holder of needle guide	1 pce.
17	above fixed screw	4 pcs.	71	above fixed screw	2 pcs.
18	Switch plate (front)	1 pce.	72	Adiabatic washer at upside	2 pcs.
19	above fixed screw	4 pcs.	73	Washer for above	2 pcs.
20	Switch plate (rear)	1 pce.	74	Cartridge heater	1 pce.
21	above fixed screw	4 pcs.	75	above set screw	1 pce.
22	Switch for motor	1 pce.	76	above fixed nut	1 pce.
23	Cap for switch	2 pcs.	77	Flexible tube	1 pce.
24&25	* Condenser for 110v.	1 pce.	78	Adiabatic collar for above	1 pce.
	* Condenser for 220v.	1 pce.	79	Fixture for above tube	1 pce.
26	above fixed screw	1 pce.	80	above fixed screw	1 pce.
27&31	Terminal block	1 pce.	81	Needle guide	1 pce.
28	above fixed screw (long)	1 pce.	82	Spring for needle guide	1 pce.
29	above fixed screw	1 pce.	83	Set screw for needle guide	1 pce.
30	above fixed nut	2 pcs.	84	above fixed nut	1 pce.
32	Shoe for handling cover	1 pce.	85	Level	1 pce.
33	above fixed screw	2 pcs.	86	above fixed screw	3 pcs.
34	Handle (grip)	1 pce.	87	Fixture for chuck wrench	1 pce.
35	above fixed bolt	1 pce.	88	above fixed screw	1 pce.
36&37	above fixed nut & washer	2 pcs.	89	Chuck wrench (handle key)	1 pce.
38	Handle lever (arm) right	1 pce.	90	Switch for heater	1 pce.
39	Handle lever (arm) left	1 pce.	91	Pilot lamp	1 pce.
40	Joint for handle lever	1 pce.	92	Electronic circuit plate	1 pce.
41	Set screw for arm joint	1 pce.	93	above fixed screw	2 pcs.
42	Nut for joint	2 pcs.	94	above fixed nut	2 pcs.
43	Set screw for joint	1 pce.	95	Electric controller	1 pce.
44	Set pipe for handle lever	2 pcs.	96	Dial	1 pce.
45&46	above fixed screw & washer	2 pcs.	97	Connector plug	1 pce.
47	Screw for Bearing holder	2 pcs.	98	Rubber tube for electric cord	1 pce.
48	above fixed nut	2 pcs.	99& 100	Electric cord with cephalo plug	1 pce.
49	Main pipe	1 pce.		Needle drill 1.5mm diameter	1 pce.
50	Cap for above	1 pce.		Needle drill 2.0mm diameter	1 pce.
51	Collar for stopper	1 pce.		Hollow needle drill 2.0mm diameter	1 pce.
52	Stopper for adjusting needle	1 pce.		Hollow needle drill 2.5mm diameter	1 pce.
53	above fixed nut	1 pce.		Hollow needle drill 3.0mm diameter	1 pce.