

SN-7210 · SN-7220

Single Needle Needle Feed Lock Stitcher
Single Needle Needle Feed Lock Stitcher with
Thread Trimmer

SN-7230 · SN-7240

Single Needle Needle Feed Lock Stitcher
with Large Hook
Single Needle Needle Feed Lock Stitcher
with Large Hook and Thread Trimmer



Specifications

| | SN-7210-3 SN-7220-□03 | SN-7210-5 SN-7220-□05 | SN-7230-5 SN-7240-□05 |
|------------------------|--------------------------|-----------------------------|--|
| Application | Medium materials | Heavy materials | Heavy materials |
| Max. sewing speed | 5,000 rpm | 4,000 rpm | 4,000 rpm (Stitch length: 4.5 mm or less) 3,000 rpm (Stitch length: 4.6 - 6 mm) |
| Stitch length | 4 mm | 5 mm | 6 mm |
| Needle bar stroke | 31 mm | 33 mm | 34.1 mm |
| Height of feed dog | 0.8 mm | 1.2 mm | 1.2 mm |
| Needle | DB × 1 #14 | DB × 1 #22 | DB × 1 #22 |
| Hook | Standard rotary hook | Standard rotary hook | Large hook (×2) |
| Height of presser foot | | Manual : 6mm Knee : 13mm | |

SN-7210-

| | |
|---|------------------|
| 3 | Medium materials |
| 5 | Heavy materials |

SN-7220- 0 /

| | |
|---|------------------|
| 3 | Medium materials |
| 5 | Heavy materials |

| |
|-----------------|
| Operation panel |
| BF-20 |
| BF-40 |
| BF-100 |

*1

| | Thread trimmer | Quick back | Thread wiper | Solenoid type presser foot lifter | |
|---|----------------|------------|--------------|-----------------------------------|----|
| 1 | ○ | — | — | — | *1 |
| 3 | ○ | ○ | — | — | *2 |
| 4 | ○ | ○ | ○ | — | |
| 9 | ○ | ○ | ○ | ○ | |

The specification indicated with *1 is for export only.
The specification indicated with *2 is for Japan only.

SN-7230-

| | |
|---|-----------------|
| 5 | Heavy materials |
|---|-----------------|

SN-7240- 0 /

| | |
|---|-----------------|
| 5 | Heavy materials |
|---|-----------------|

| |
|-----------------|
| Operation panel |
| BF-20 |
| BF-40 |
| BF-100 |

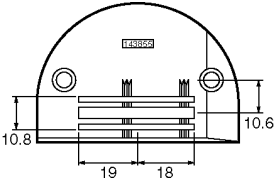
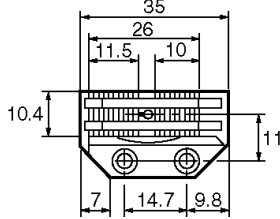
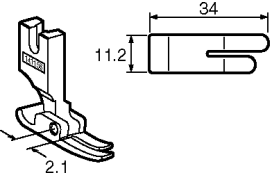
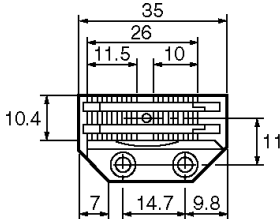
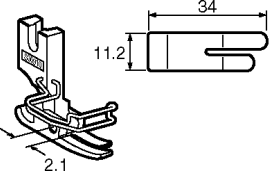
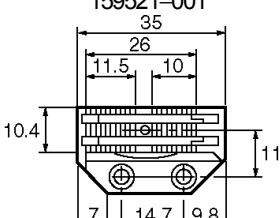
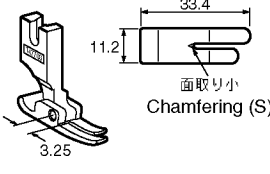
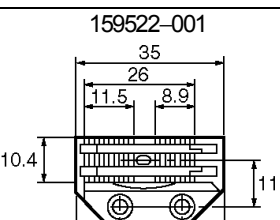
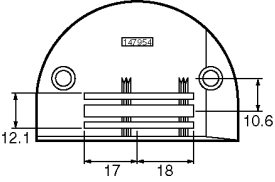
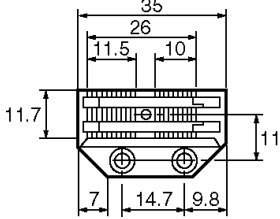
*1

| | Thread trimmer | Quick back | Thread wiper | Solenoid type presser foot lifter | |
|---|----------------|------------|--------------|-----------------------------------|----|
| 1 | ○ | — | — | — | *1 |
| 3 | ○ | ○ | — | — | *2 |
| 4 | ○ | ○ | ○ | — | |
| 9 | ○ | ○ | ○ | ○ | |

The specification indicated with *1 is for export only.
The specification indicated with *2 is for Japan only.

GAUGE PARTS LIST

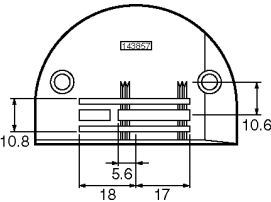
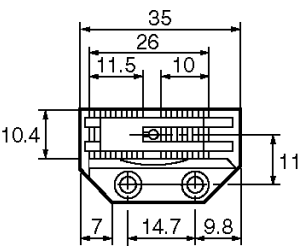
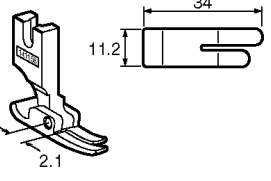
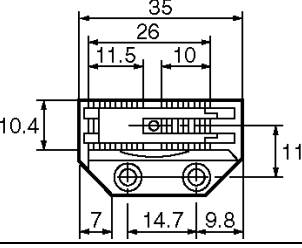
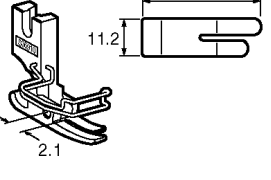
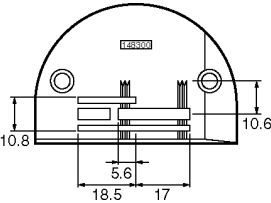
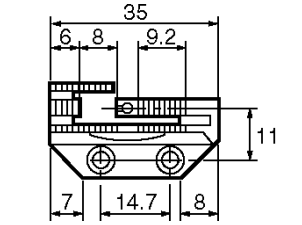
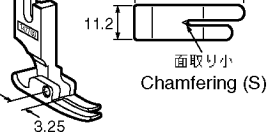
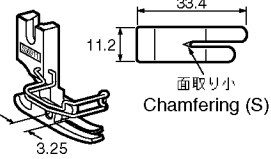
[SN-7210, SN-7220]

| Spec. | Needle plate | | T | Feed dog | φ | Presser foot assy | | |
|------------------|--------------|---|-----|---|------|---|---|--|
| | Mark | | | Part code | | Part code | | |
| Medium materials | 143855 |  <p>143855-001</p> | 3.2 |  <p>◆S01158-001 (With slot)</p> | φ2 |  <p>141158-101</p> | | |
| | | | |  <p>S03357-001</p> | | φ1.4 |  <p>S36910-001</p> | |
| | | | |  <p>159521-001</p> | | | φ2 |  <p>147703-101 面取り小 Chamfering (S)</p> |
| | | | |  <p>159522-001</p> | | | | φ2 2 3.6 |
| | 147954 |  <p>147954-001</p> | 3.2 |  <p>159914-001</p> | φ2.1 | | | |

*Parts indicated with ◆ are feed dogs for standard machines only.
Use with thread trimming machines will cause the fixed knife to strike the feed dog. Avoid such use.

GAUGE PARTS LIST

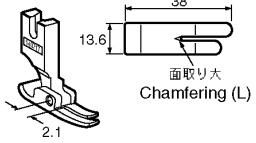
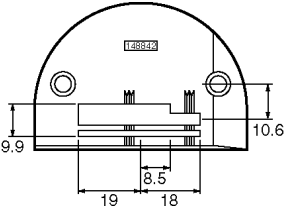
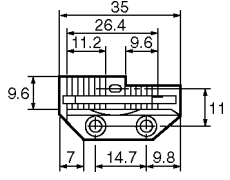
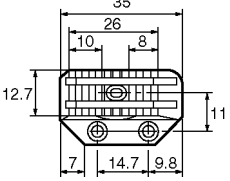
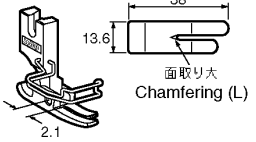
[SN-7210, SN-7220]

| Spec. | Needle plate | | T | Feed dog | ϕ | Presser foot assy |
|------------------|--------------|--|-----|--|----------|---|
| | Mark | | | Part code | | Part code |
| Medium materials | 148857 |  <p>148857-001</p> | 3.2 |  <p>◆S01159-001</p> | $\phi 2$ |  <p>141158-101</p> |
| | | | |  <p>159523-001</p> | |  <p>S36910-001</p> |
| | 148300 |  <p>148300-001</p> | |  <p>◆S01160-001 (With slot)</p> | $\phi 2$ |  <p>147703-101 面取り小 Chamfering (S)</p> |
| | | | | | |  <p>S36911-001 面取り小 Chamfering (S)</p> |

*Parts indicated with ◆ are feed dogs for standard machines only.
Use with thread trimming machines will cause the fixed knife to strike the feed dog. Avoid such use.

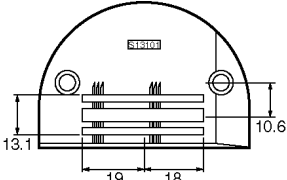
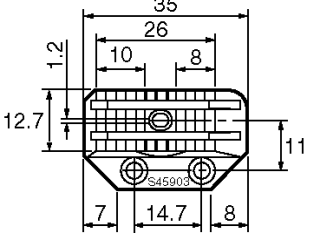
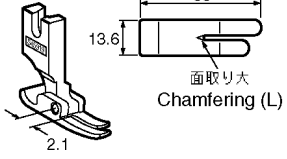
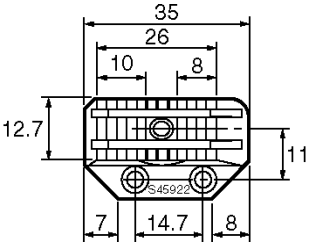
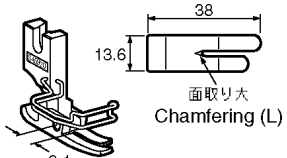
GAUGE PARTS LIST

[SN-7210, SN-7220]

| Spec. | Needle plate | | T | Feed dog | | Presser foot assy | |
|-----------------|--------------|---|-----|------------|------|---|---|
| | Mark | | | Part code | P | | ϕ |
| Heavy materials | 148842 | 148842-001 | 3.2 | 159525-001 | 1.25 | $\phi 2.8$ | 140717-101  |
| | |  | | 159526-001 | 1.6 |  | |
| | S13101 | S13101-001 | | S13102-101 | 2.0 |  |  |
| | S01988 | S01988-001 | | S01989-001 | | | |

GAUGE PARTS LIST

[SN-7230, SN-7240]

| Spec. | Needle plate | | T | Feed dog | φ | Presser foot assy |
|------------------|--------------|---|-----|--|---|---|
| | Mark | | | Part code | | Part code |
| Medium materials | S13101 |  <p>S13101-001</p> | 3.2 |  <p>S45903-001 (With slot)</p> |  <p>S45919-001 面取り大 Chamfering (L)</p> | |
| | | | |  <p>S45922-001</p> | |  <p>S45920-001 面取り大 Chamfering (L)</p> |