


Notes for using this parts book

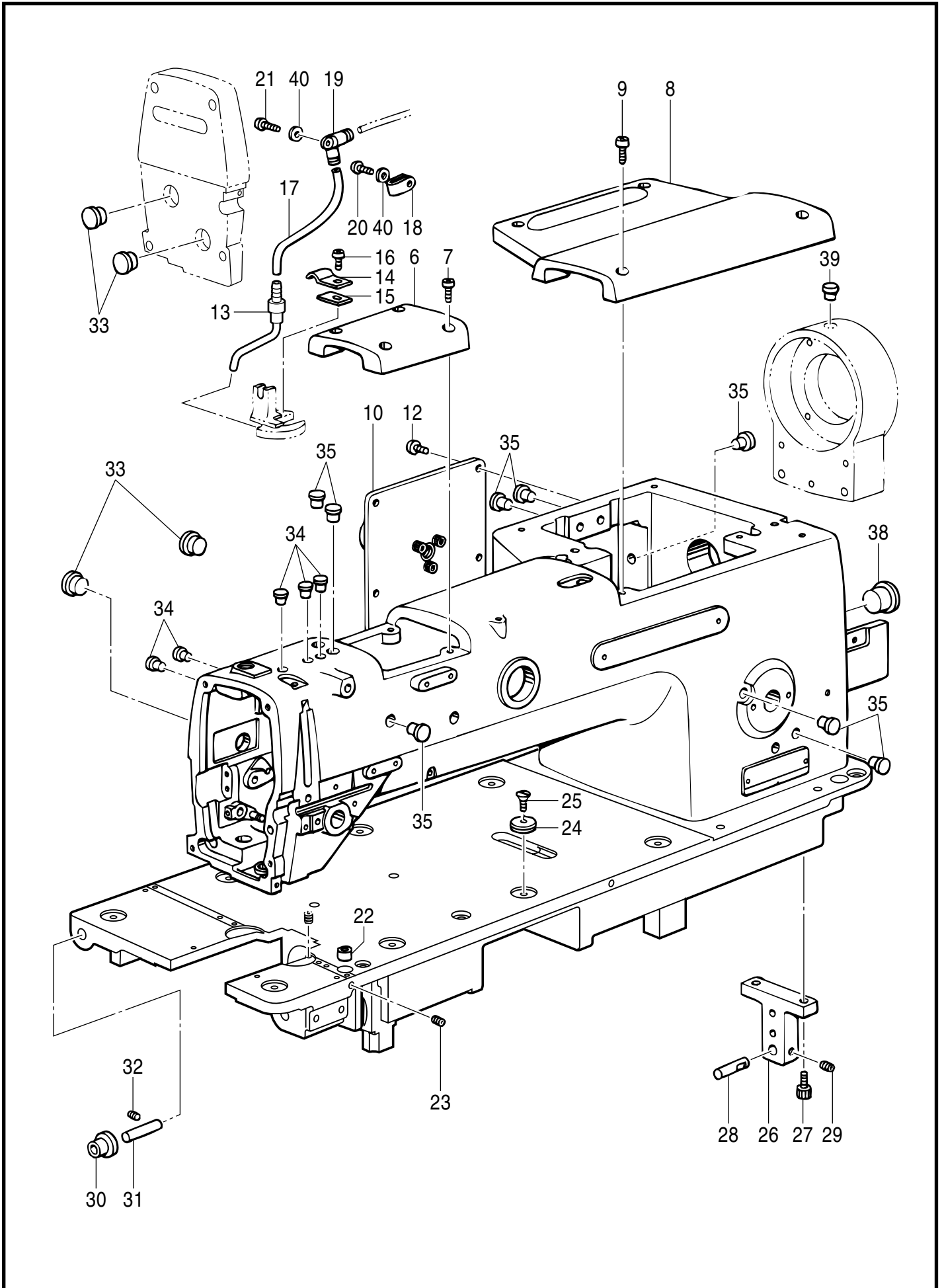
1. This book was prepared based on information available in February 1999.
2. Parts are subject to changes in design without prior notice.
3. Parts supplied as complete assemblies are circled by a dotted line 

CONTENTS

A . Machine body.....	1	N . Rotary hook mechanism	81
B . Needle bar and thread take-up mechanism..	3	P . Lubrication.....	83
C . Zigzag mechanism.....	5	Q . Threading mechanism.....	87
D . Needle plate mechanism.....	9	R . Bobbin winder mechanism	89
E . Presser foot mechanism.....	11	S . Thread trimmer mechanism.....	91
F1 . Stacker mechanism.....	13	T . Manual switch mechanism.....	93
F2 . Stacker mechanism.....	15	U1 . Air pressure mechanism	95
G . Feed guide mechanism	17	U2 . Air pressure mechanism	99
H . Feed guide mechanism	21	V1 . Power supply equipment mechanism	103
J . Thread breakage detector mechanism	25	V2 . Power supply equipment mechanism	105
K . Bottom mechanism.....	25	W . Printed circuit board mechanism.....	107
L1 . Folding margin mechanism (Option parts).....	27	X . Marker mechanism (Option parts).....	107
L2 . Folding margin mechanism (Option parts).....	33	Y . Motor mechanism	109
L3 . Folding margin mechanism (Option parts).....	39	AA . Operation panel mechanism.....	111
L4 . Folding margin mechanism (Option parts).....	45	AB . Foot switch pedal mechanism	111
L5 . Folding margin mechanism (Option parts).....	51	AC1 . Power table	113
L6 . Folding margin mechanism (Option parts).....	57	AC2 . Power table	115
L7 . Folding margin mechanism (Option parts).....	61	AD1 . Attachment set (Option parts).....	119
L8 . Folding margin mechanism (Option parts).....	65	AD2 . Attachment set (Option parts).....	123
L9 . Folding margin mechanism (Option parts).....	69	AD3 . Attachment set (Option parts).....	125
L10 . Folding margin mechanism (Option parts).....	73	AD4 . Attachment set (Option parts).....	127
M . Folding margin base mechanism.....	77	AD5 . Attachment set (Option parts).....	129
		AD6 . Attachment set (Option parts).....	131
		AE . Programmer.....	133
		AF . Attachment set (Option parts).....	133
		Z . Accessories	135
		Wa . Warning labels.....	139
		Index.....	140

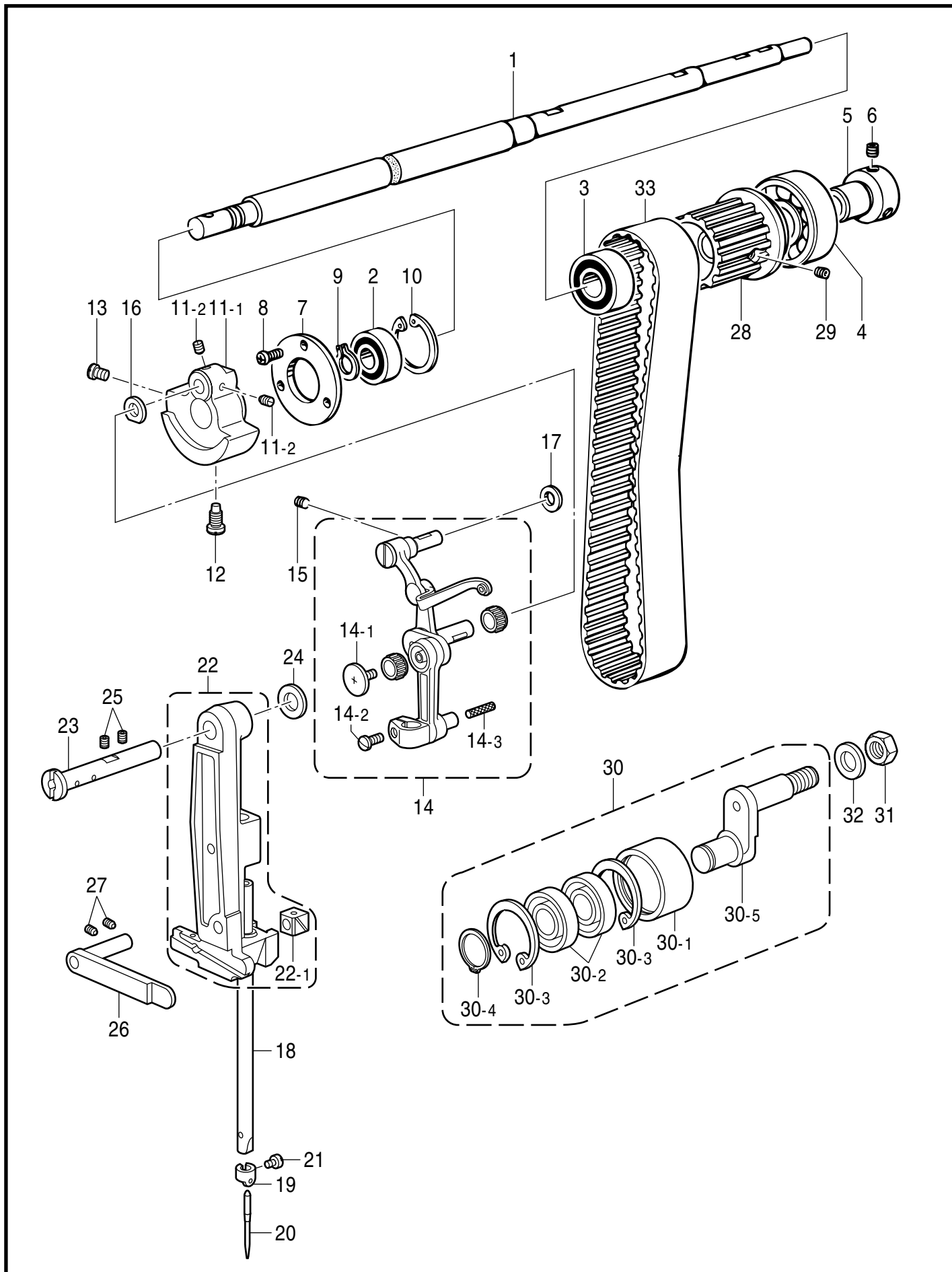
A. 主体関係

A. Machine body

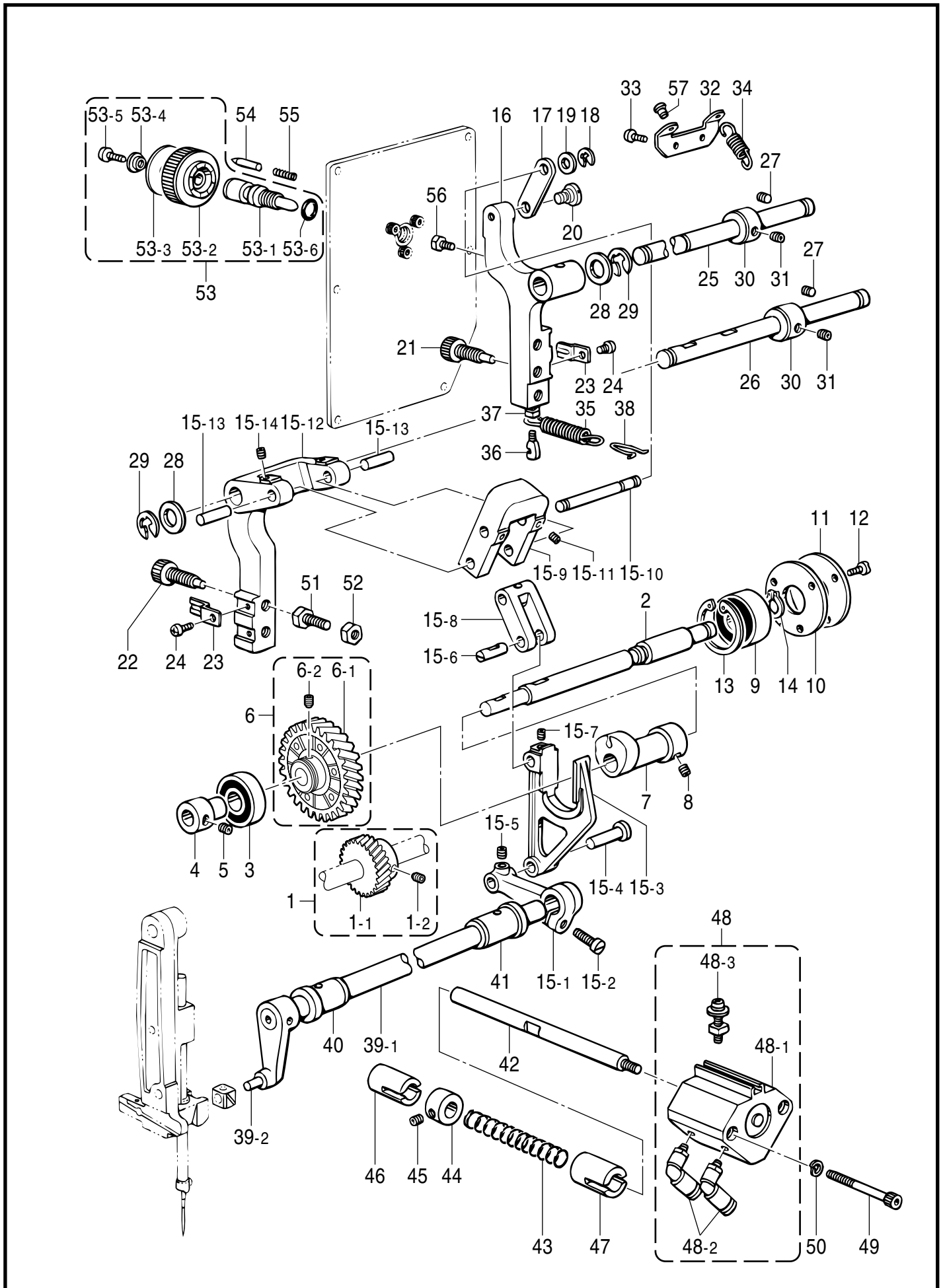


B. 針棒・天秤關係

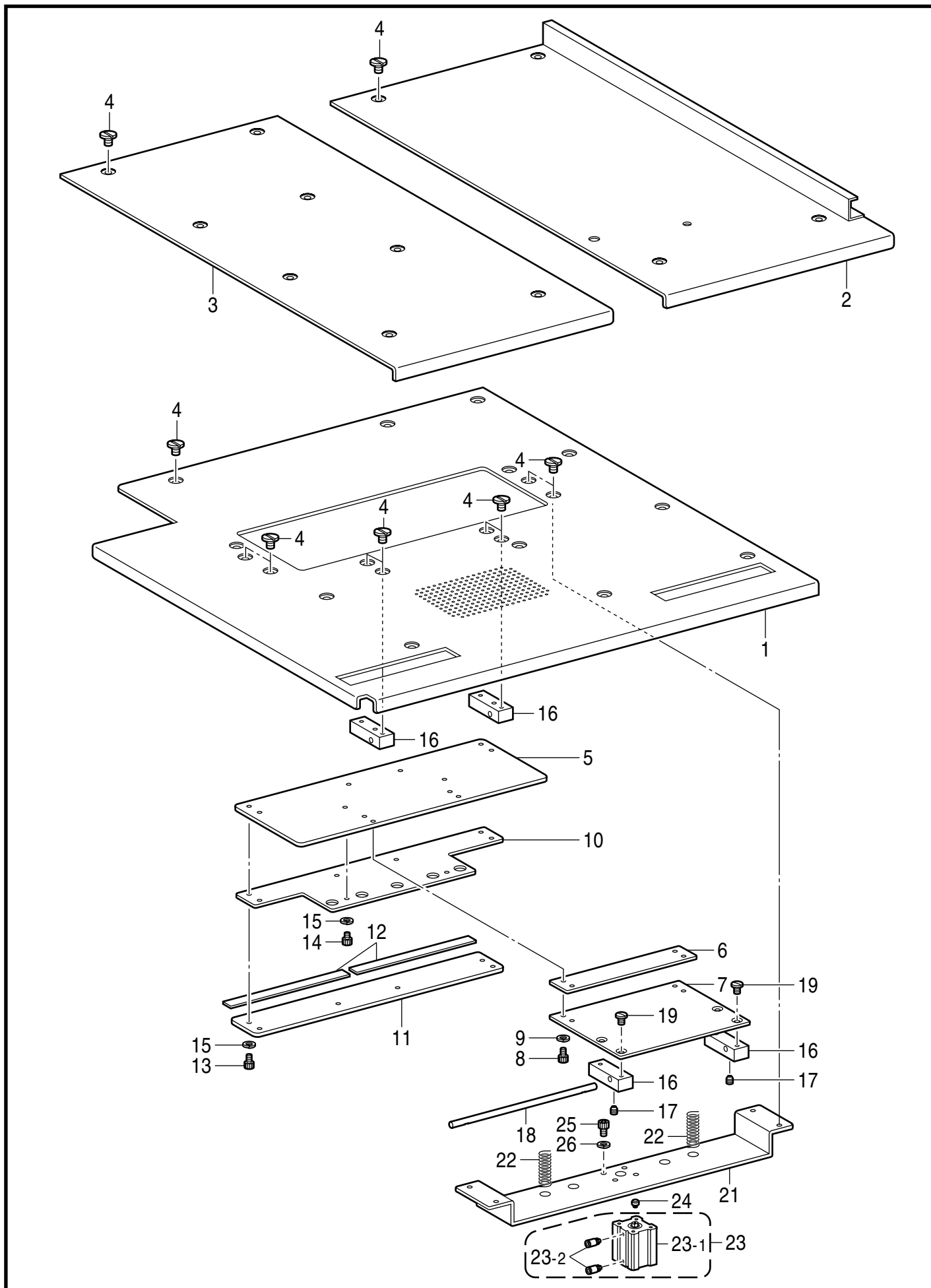
B. Needle bar and thread take-up mechanism



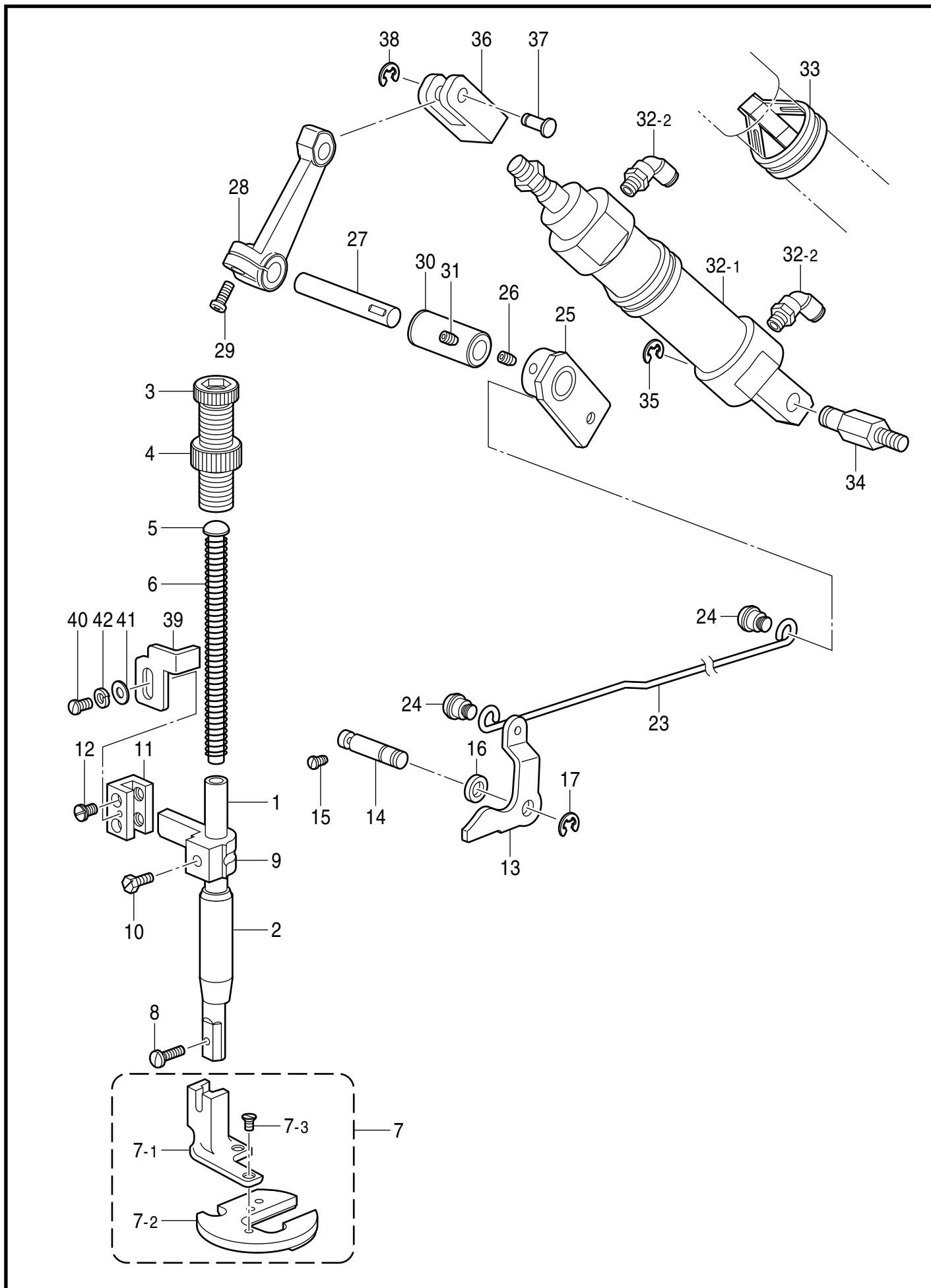
C. 針振關係
 C. Zigzag mechanism



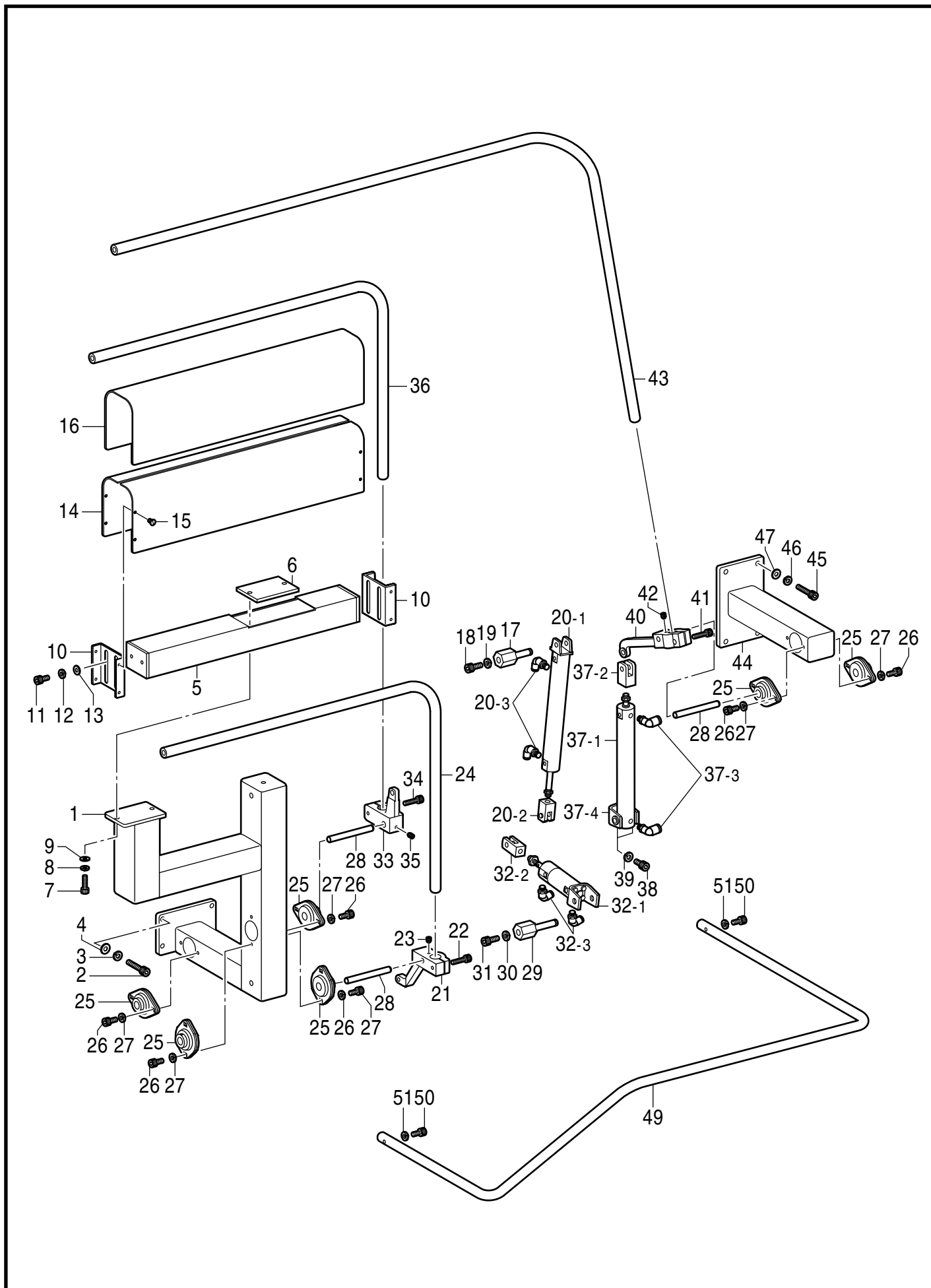
D . 針板關係
 D . Needle plate mechanism



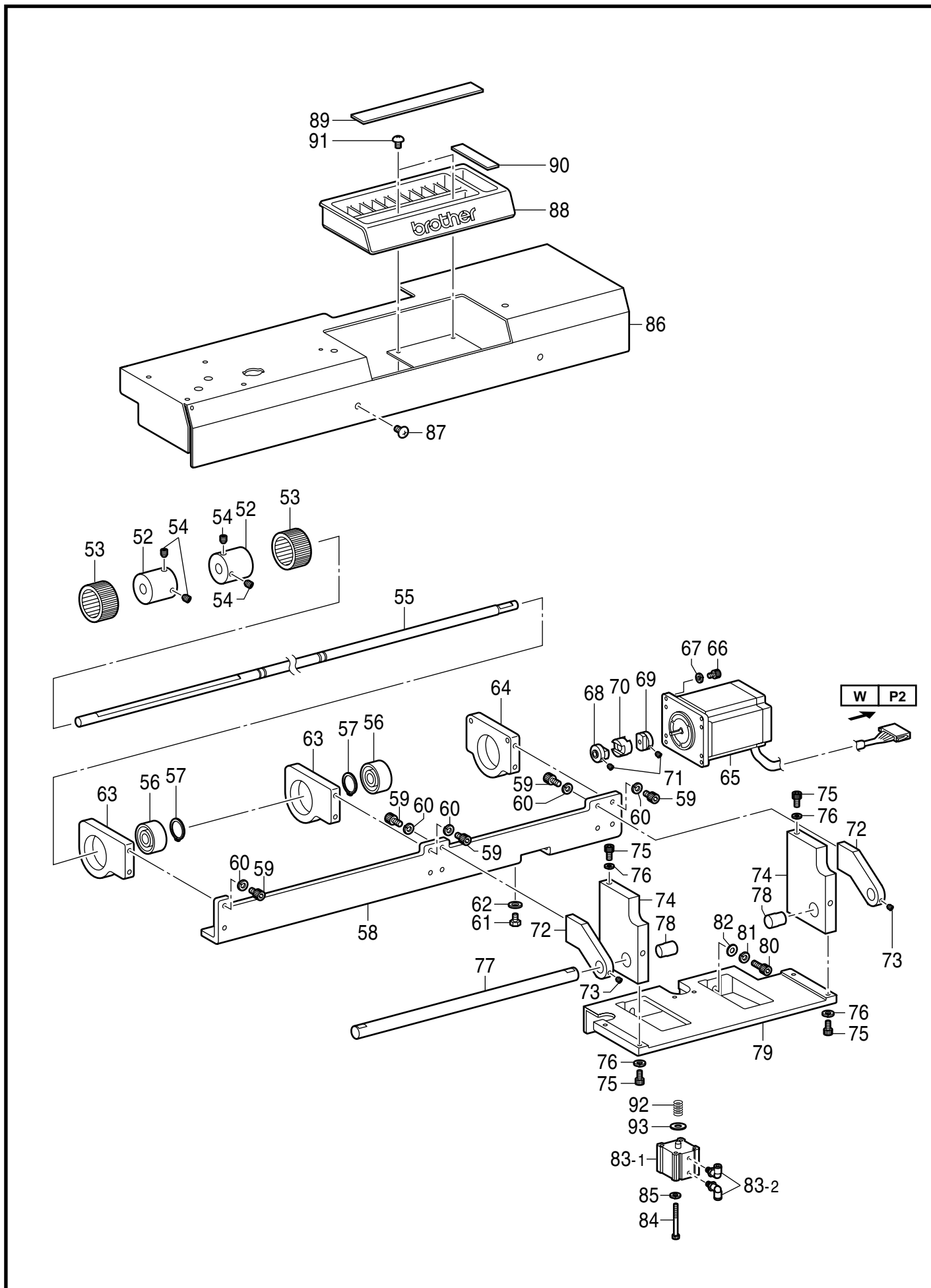
E . 押工関係
E . Presser foot mechanism



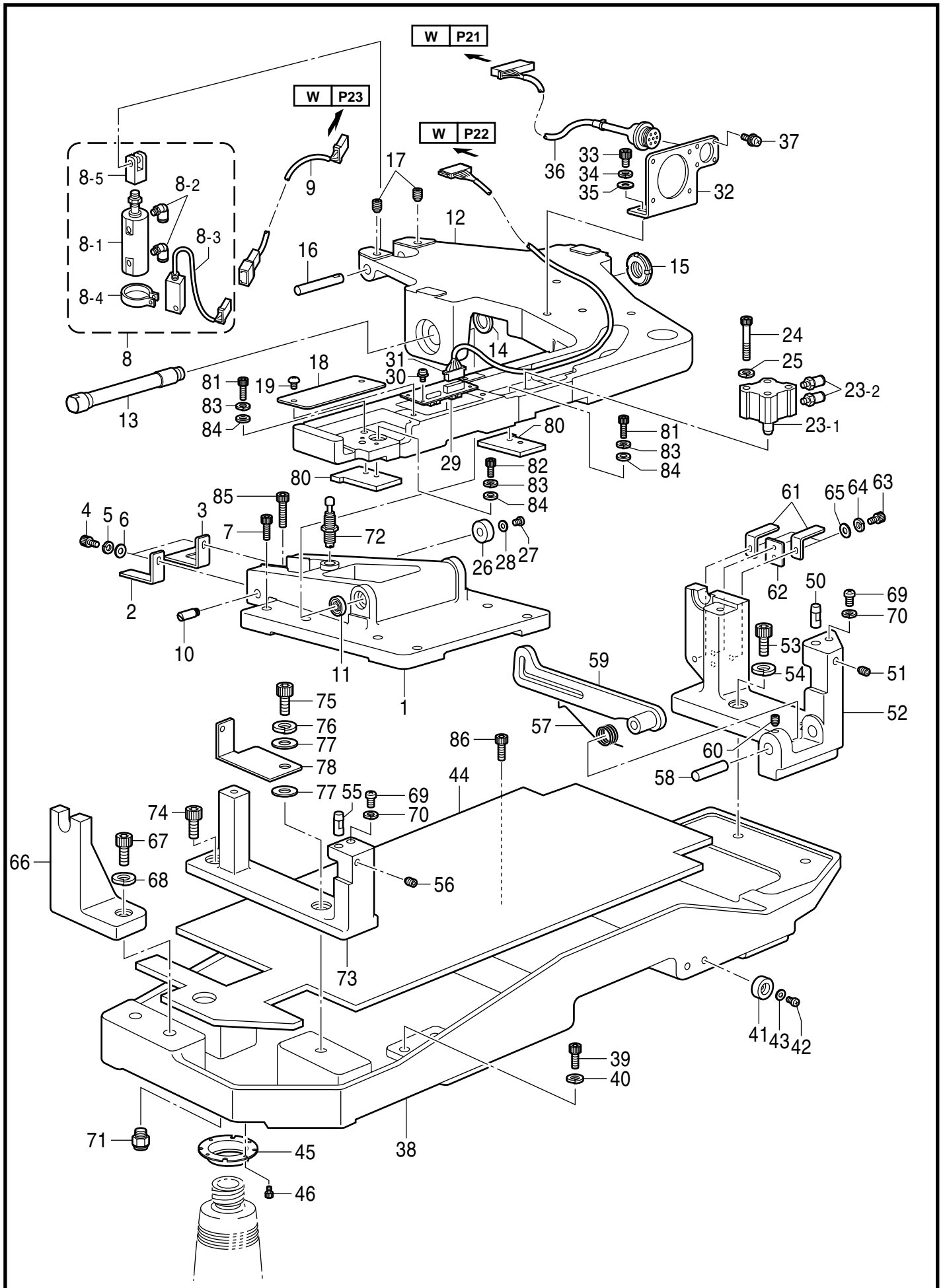
F1 . スタッカー関係
 F1 . Stacker mechanism



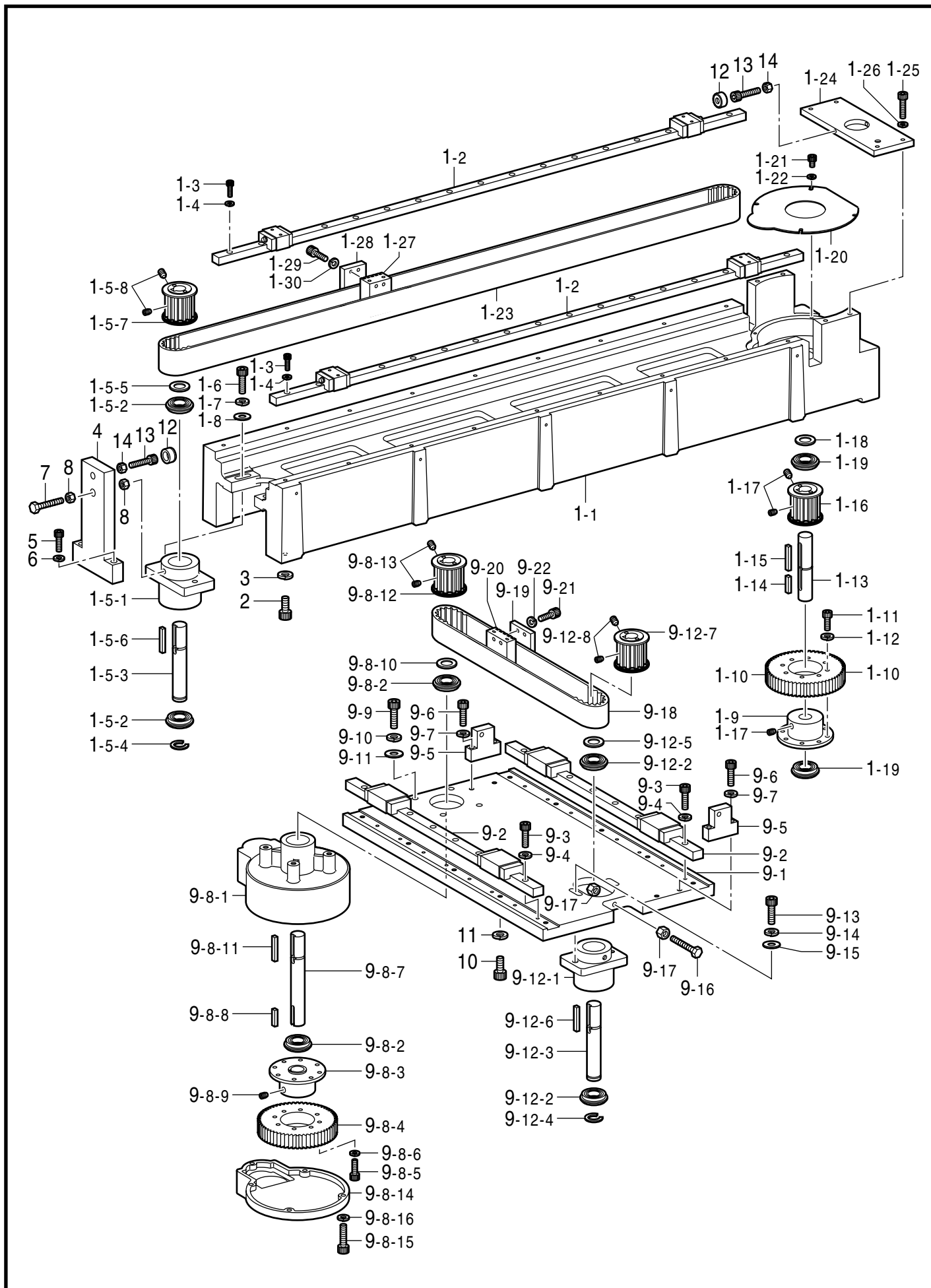
F2 . スタッカー関係
 F2 . Stacker mechanism



G . 駆動側送り関係
 G . Feed guide mechanism

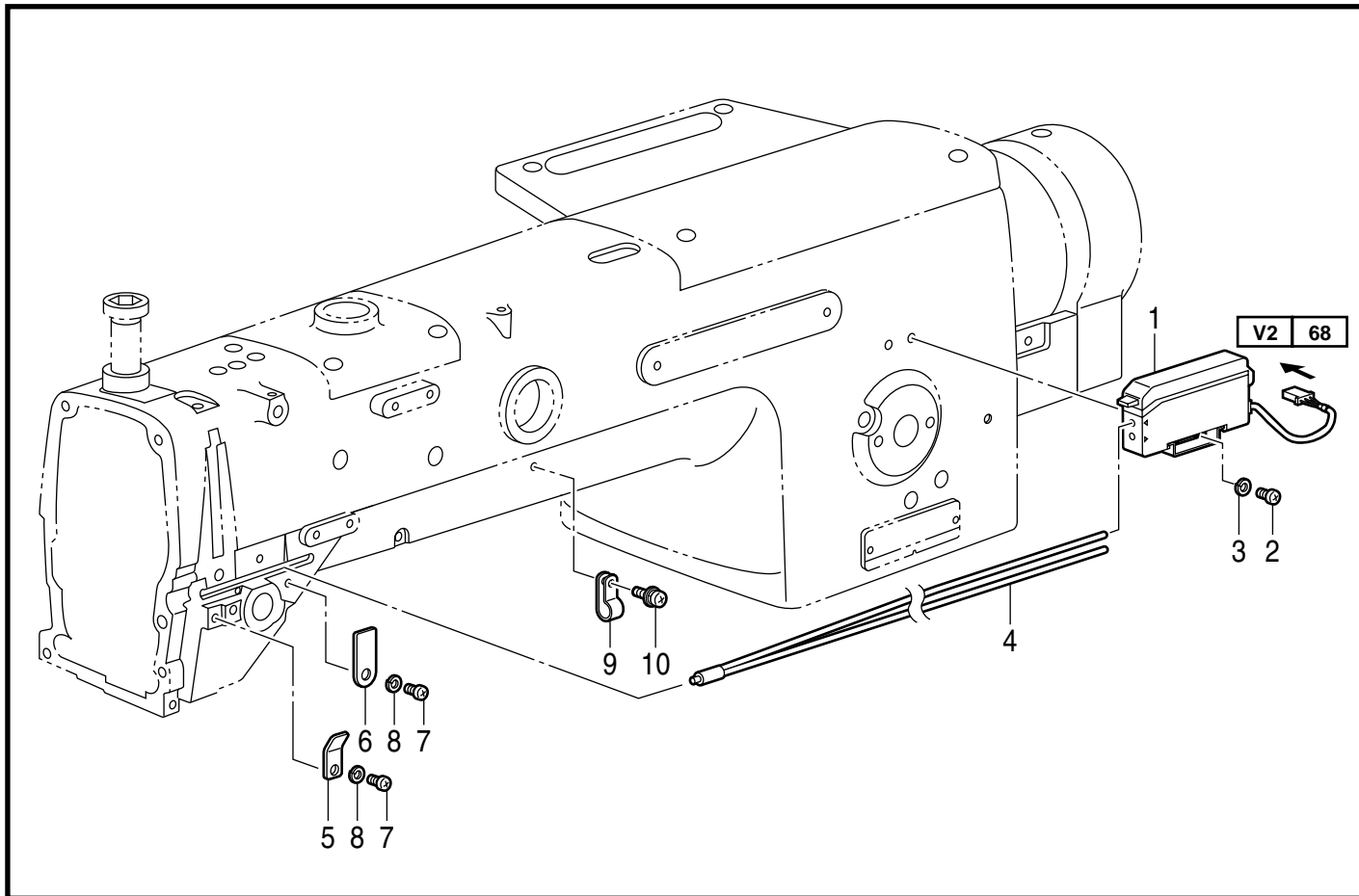


H. 送り案内関係
H. Feed guide mechanism



J. 糸切れ感知関係

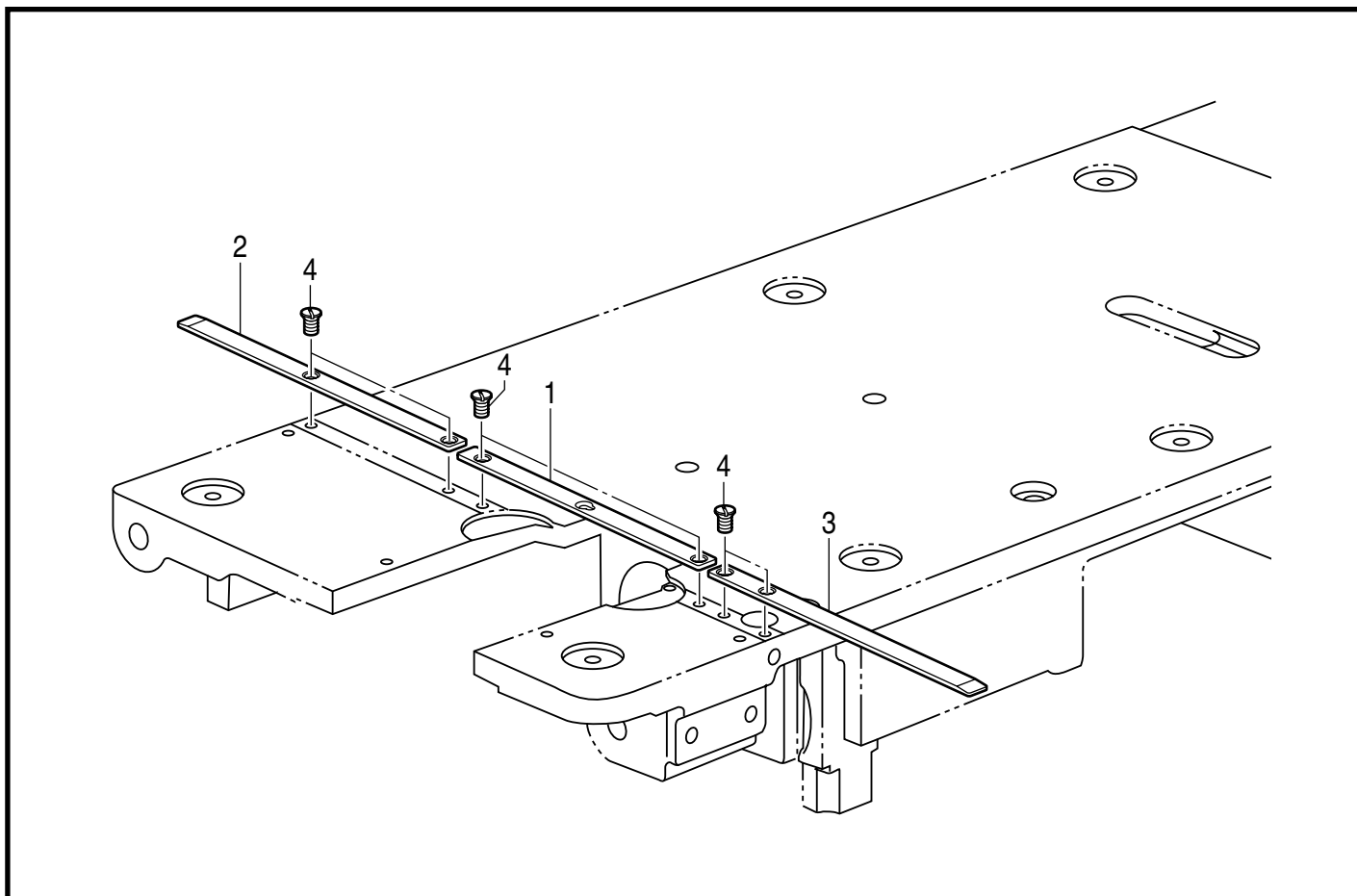
J. Thread breakage detector mechanism



151-761-219

K. ボトム機構

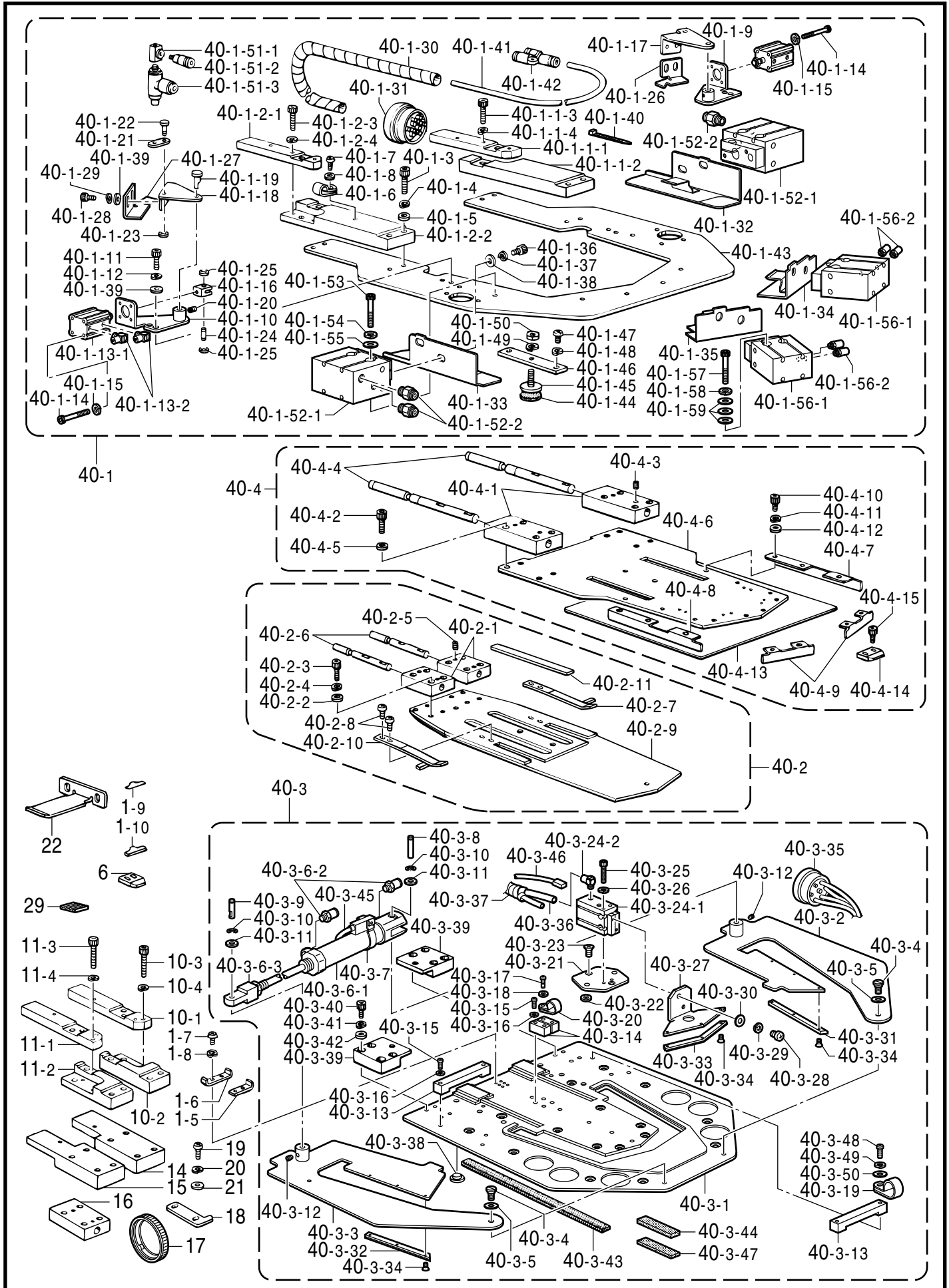
K. Bottom mechanism



151-761-248

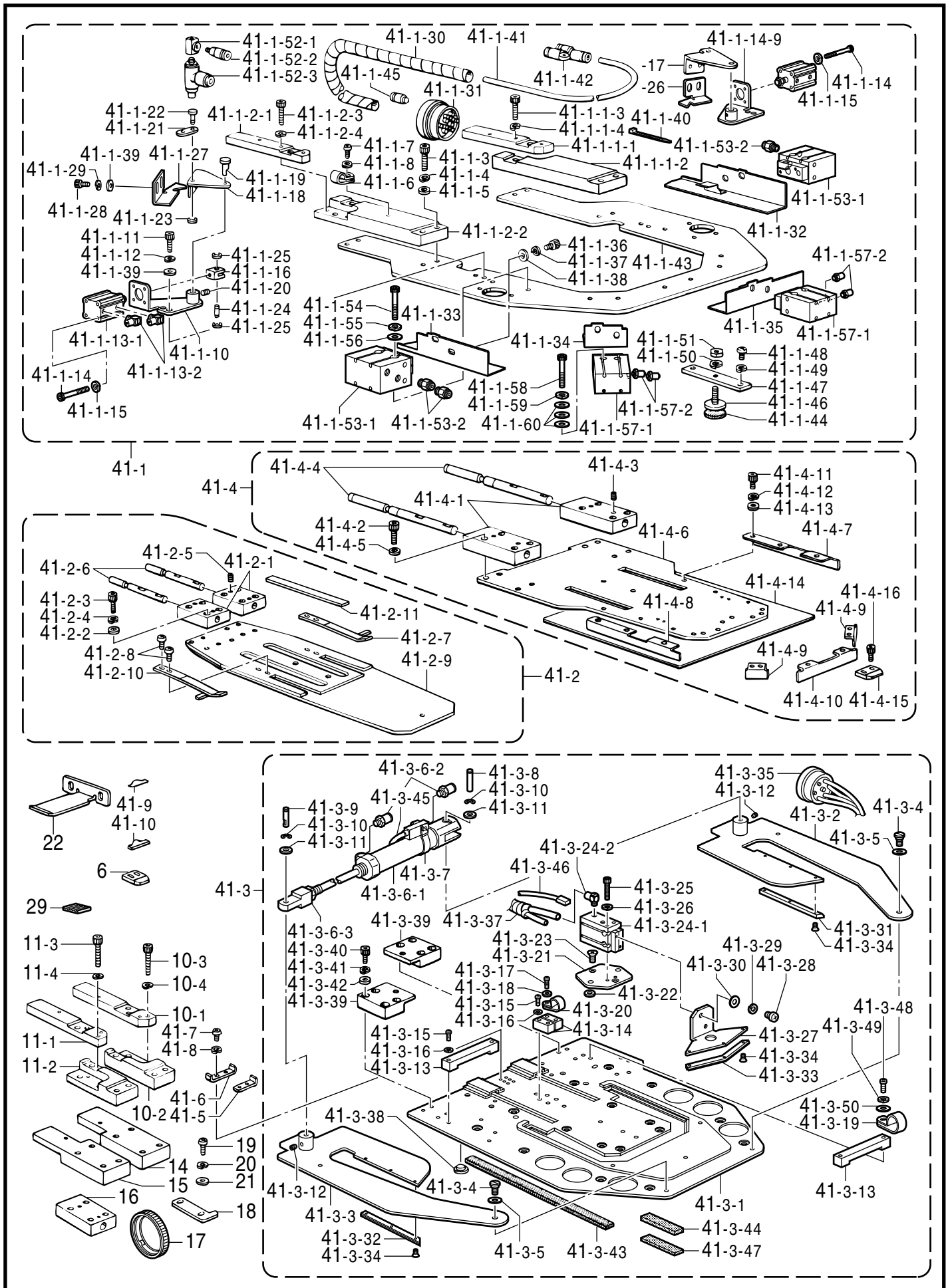
L1 . 折曲ゲ関係 (オプション部品)

L1 . Folding margin mechanism (Option parts)



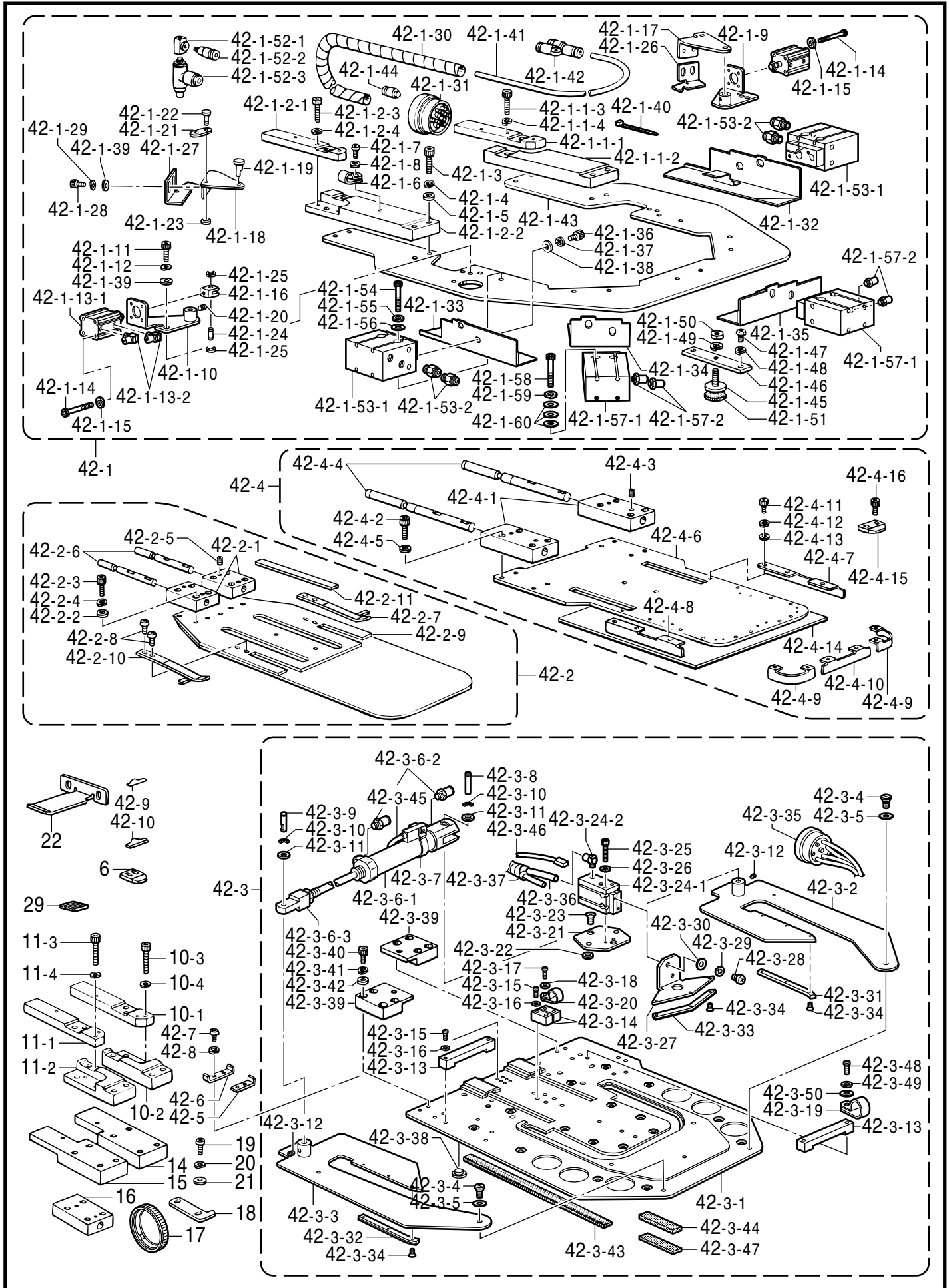
L2 . 折曲ゲ関係 (オプション部品)

L2 . Folding margin mechanism (Option parts)



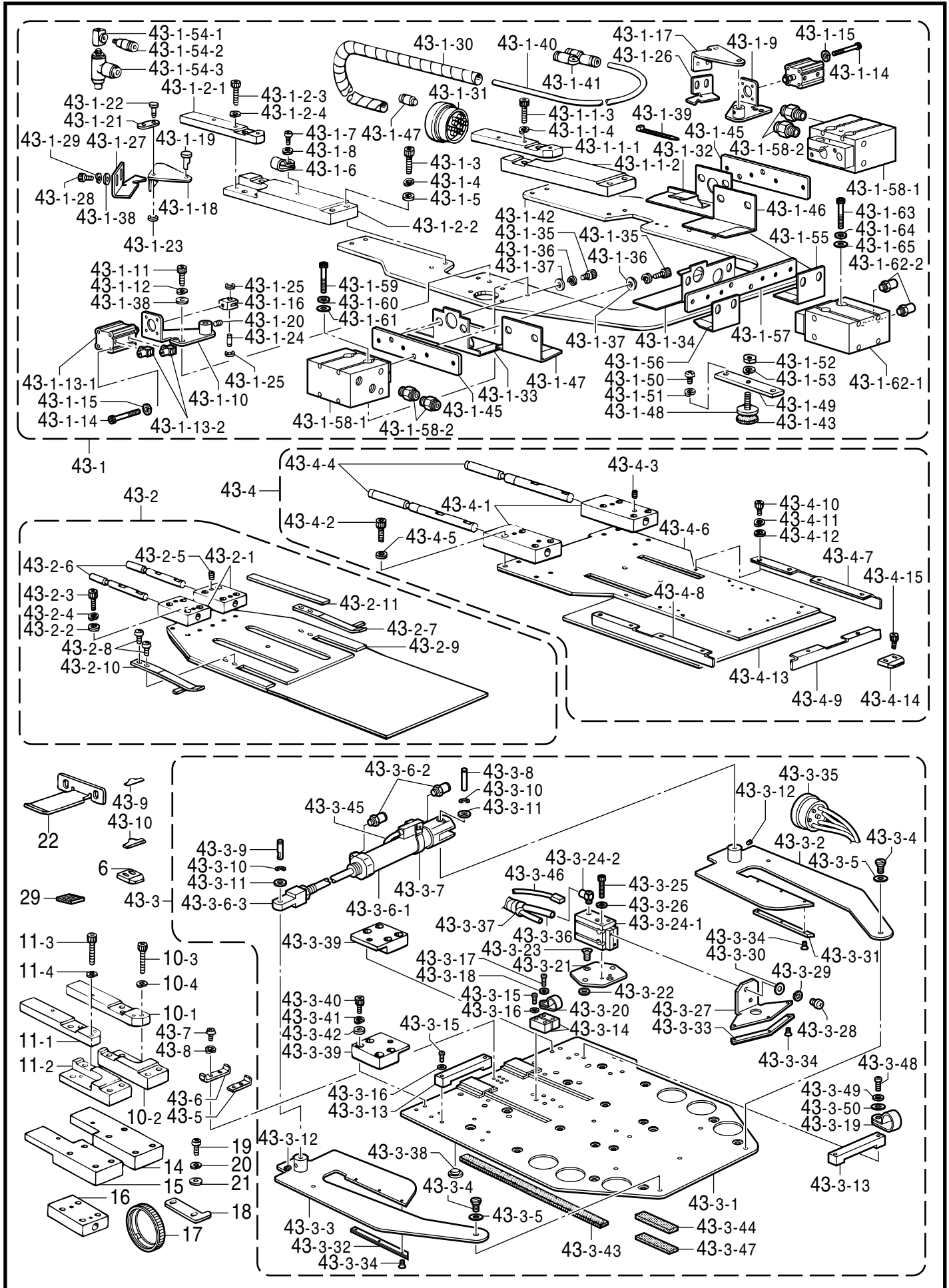
L3 . 折曲ゲ関係 (オプション部品)

L3 . Folding margin mechanism (Option parts)



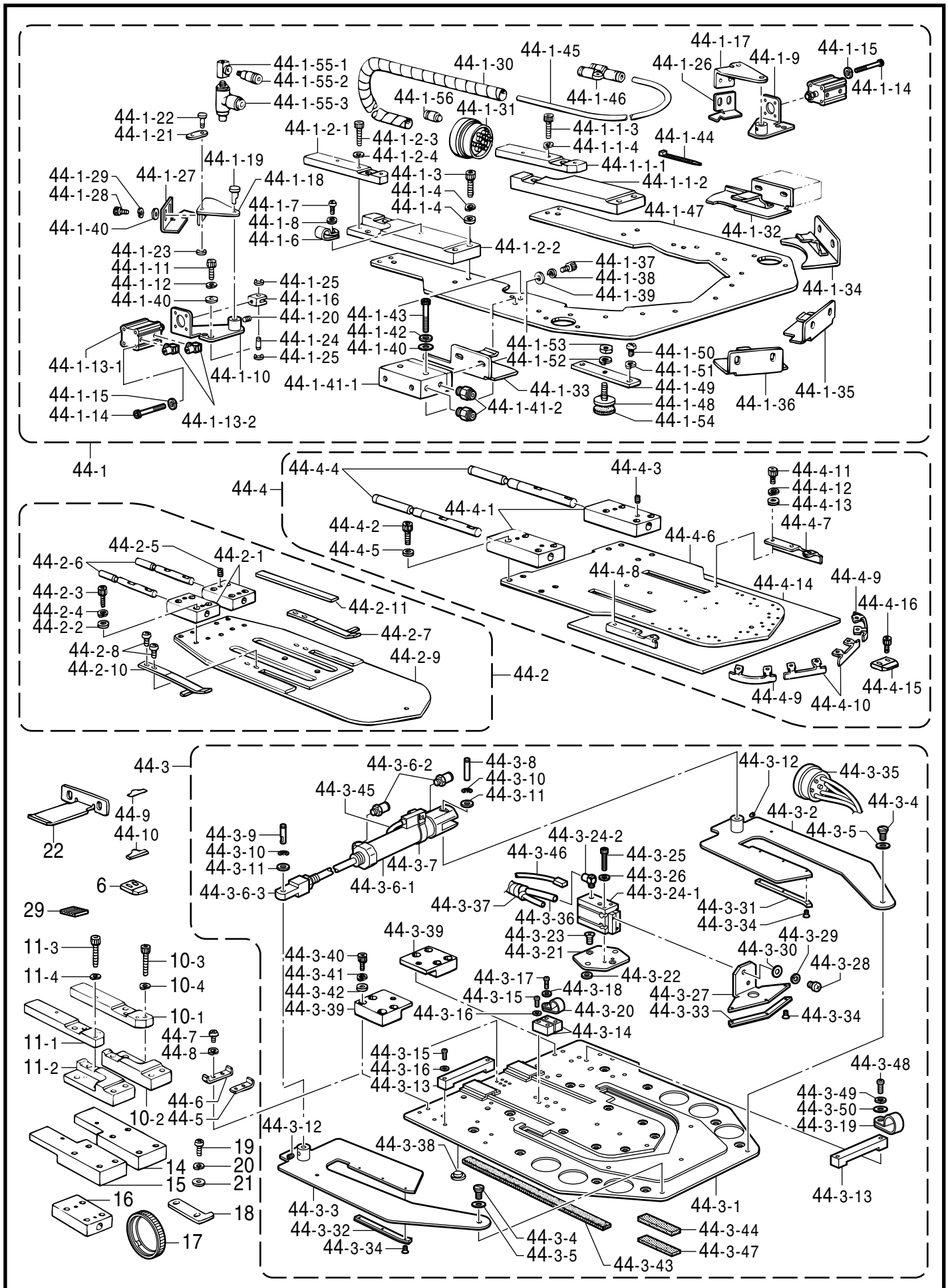
L4 . 折曲ゲ関係 (オプション部品)

L4 . Folding margin mechanism (Option parts)



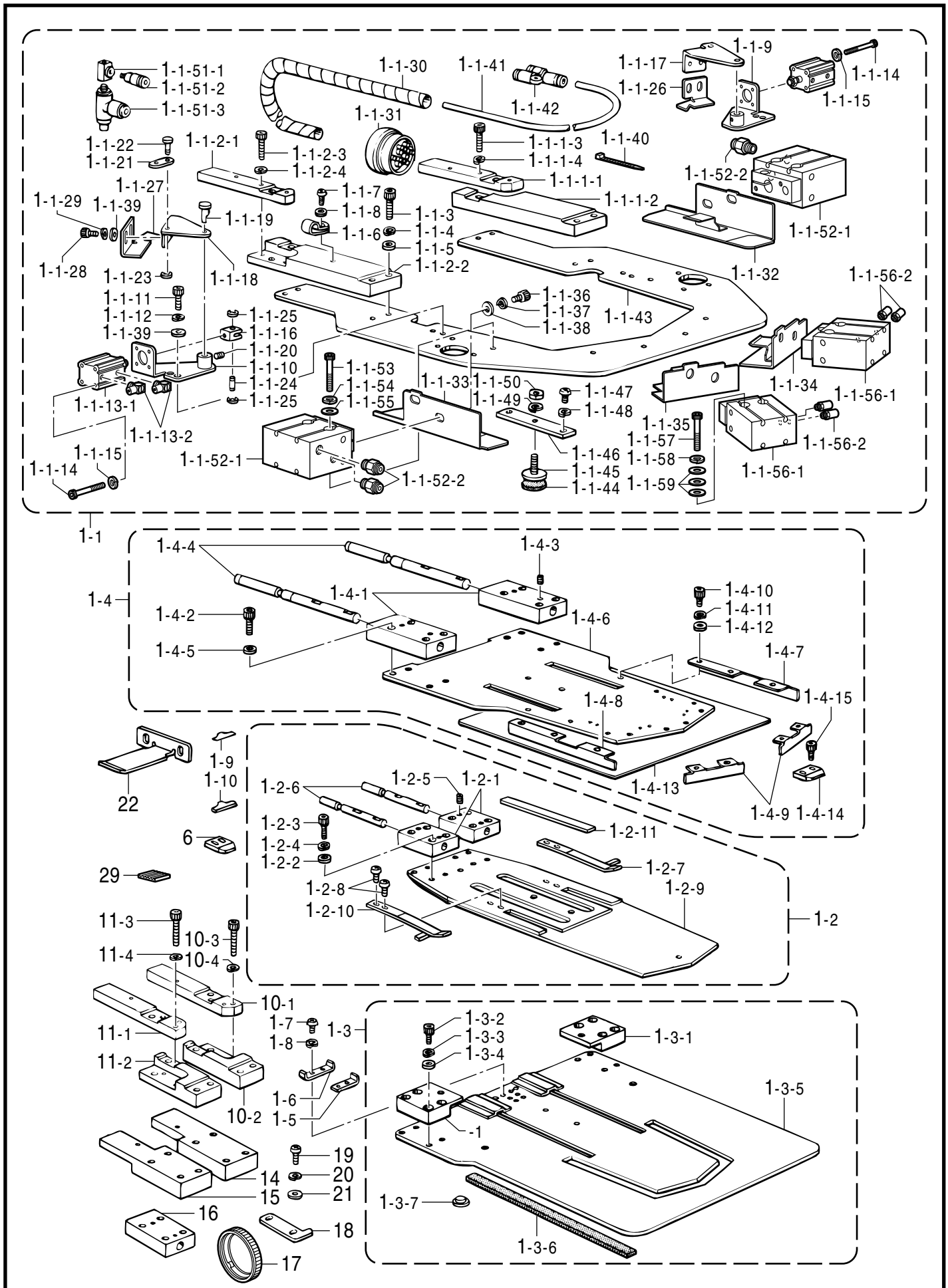
L5 . 折曲ゲ関係 (オプション部品)

L5 . Folding margin mechanism (Option parts)



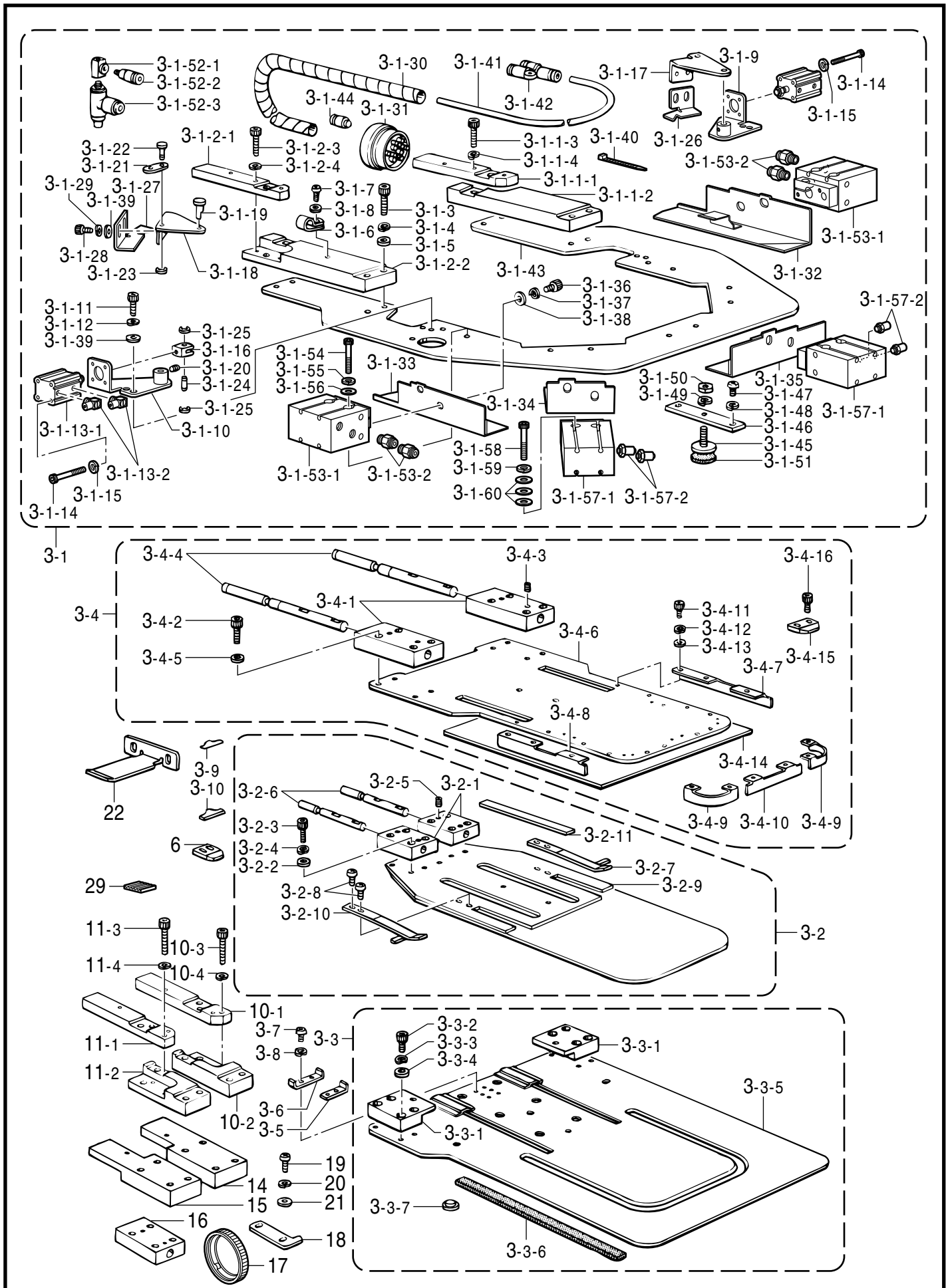
L6 . 折曲ゲ関係 (オプション部品)

L6 . Folding margin mechanism (Option parts)



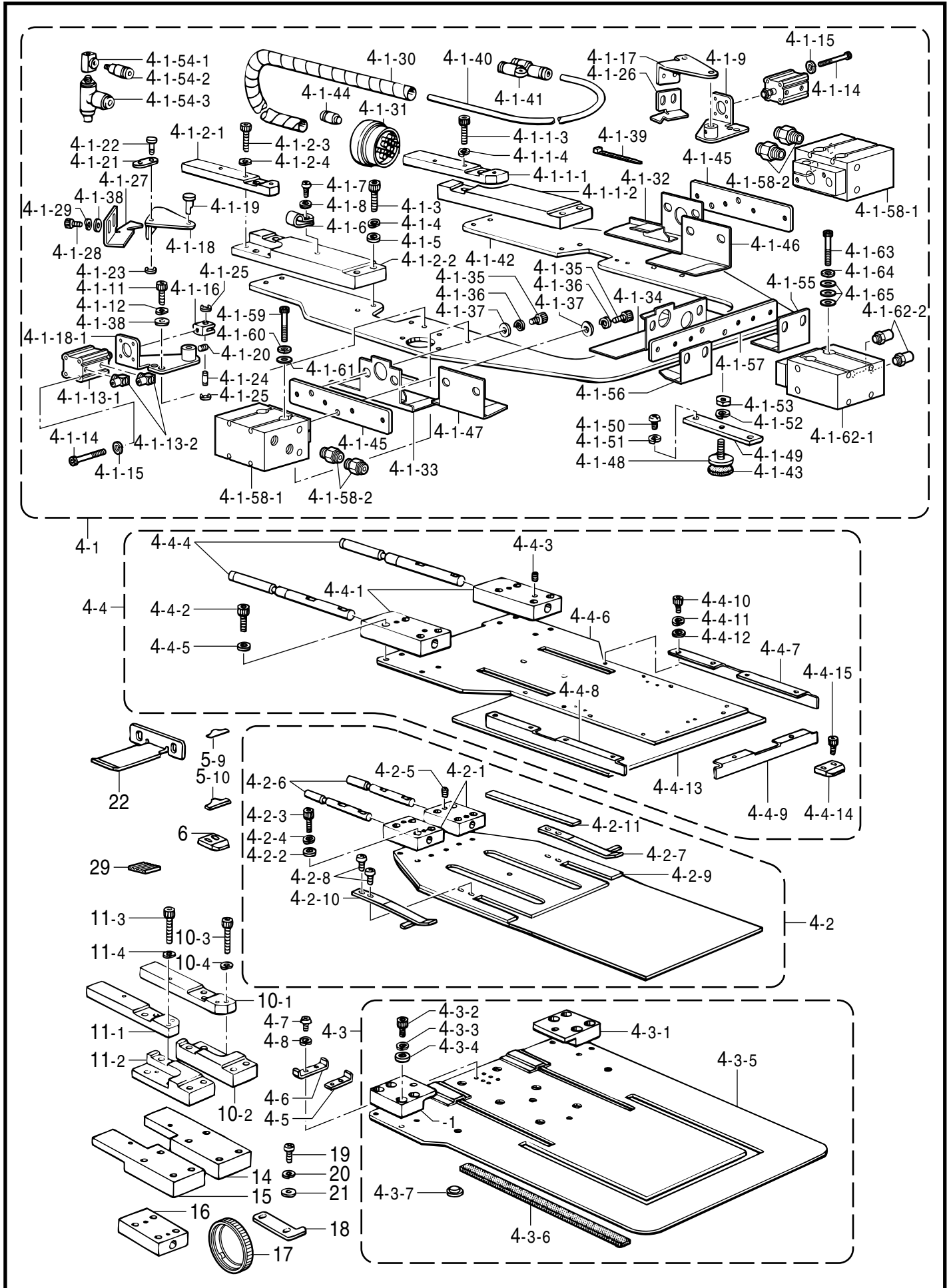
L8 . 折曲ゲ関係 (オプション部品)

L8 . Folding margin mechanism (Option parts)



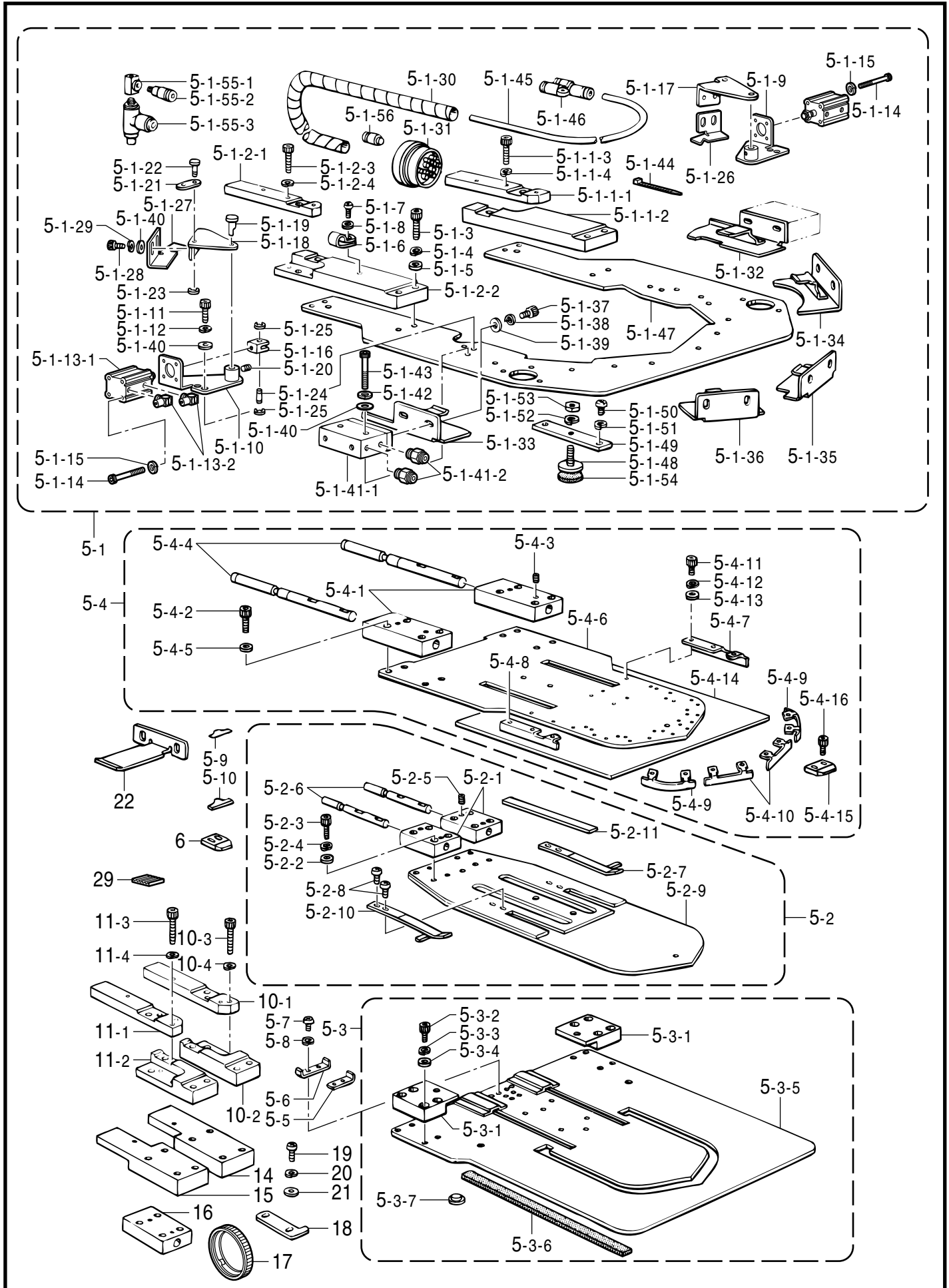
L9 . 折曲ゲ関係 (オプション部品)

L9 . Folding margin mechanism (Option parts)



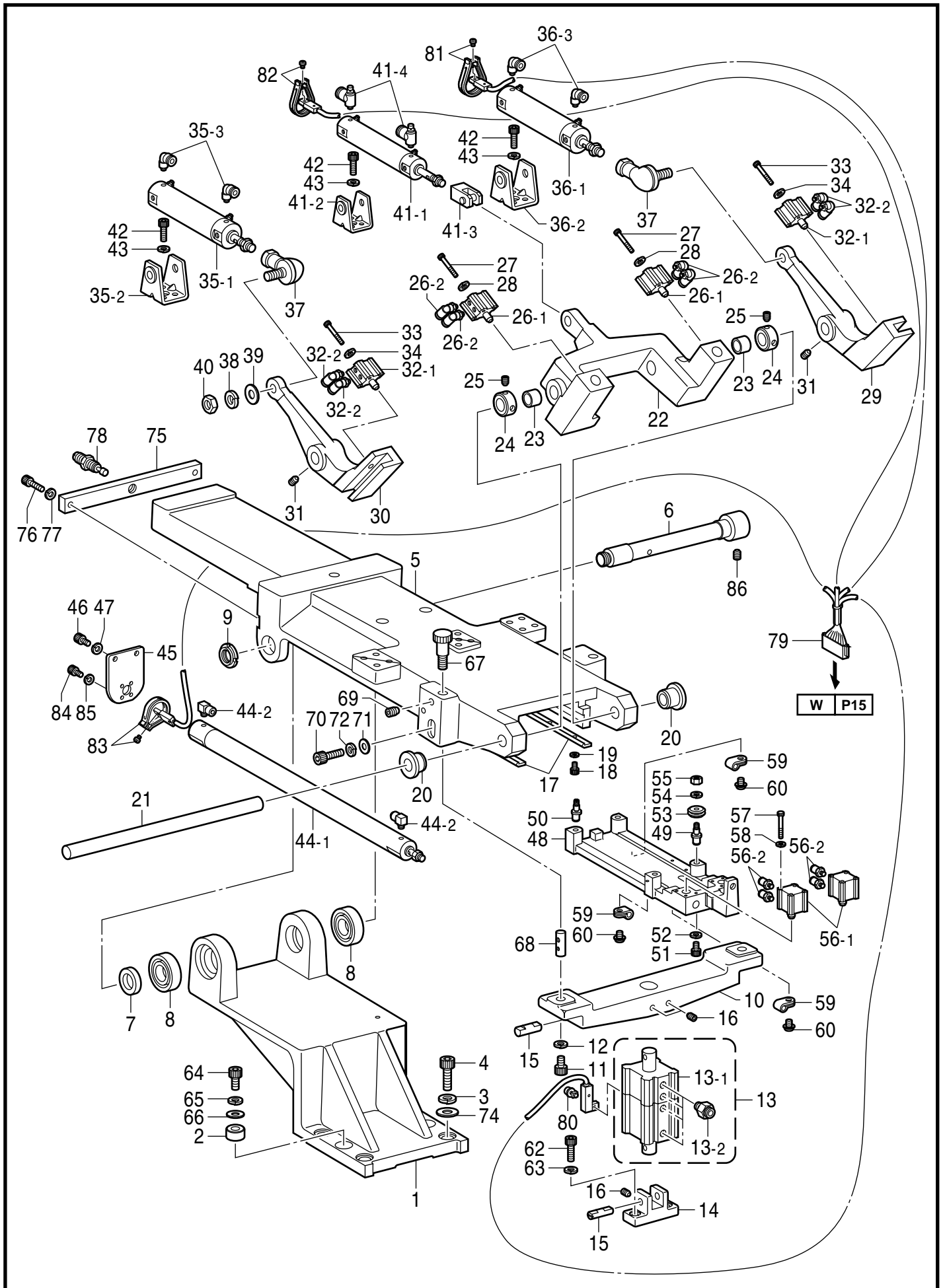
L10 . 折曲ゲ関係 (オプション部品)

L10 . Folding margin mechanism (Option parts)

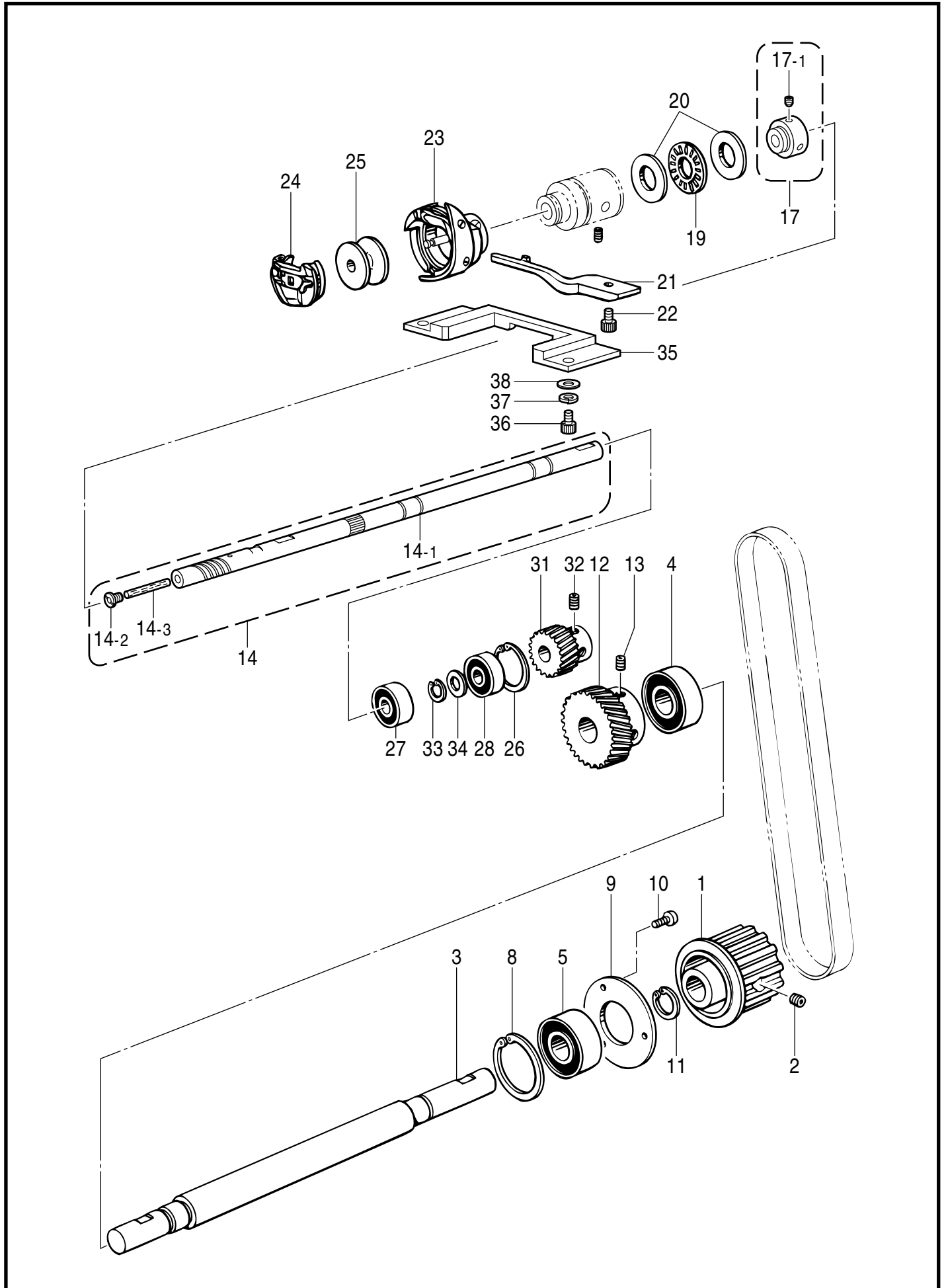


M . 折曲げ土台関係

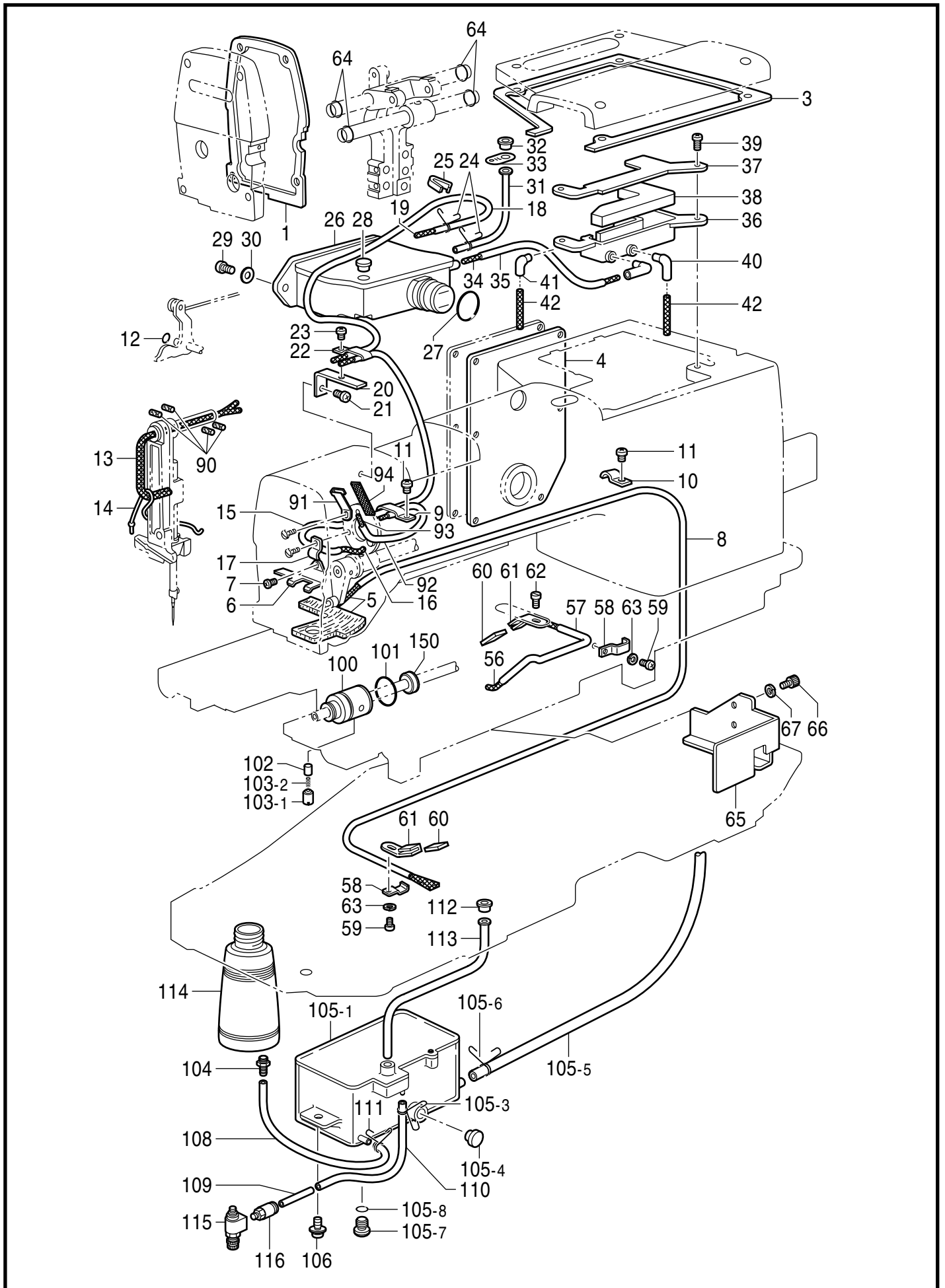
M . Folding margin base mechanism



N . カマ関係
 N . Rotary hook mechanism

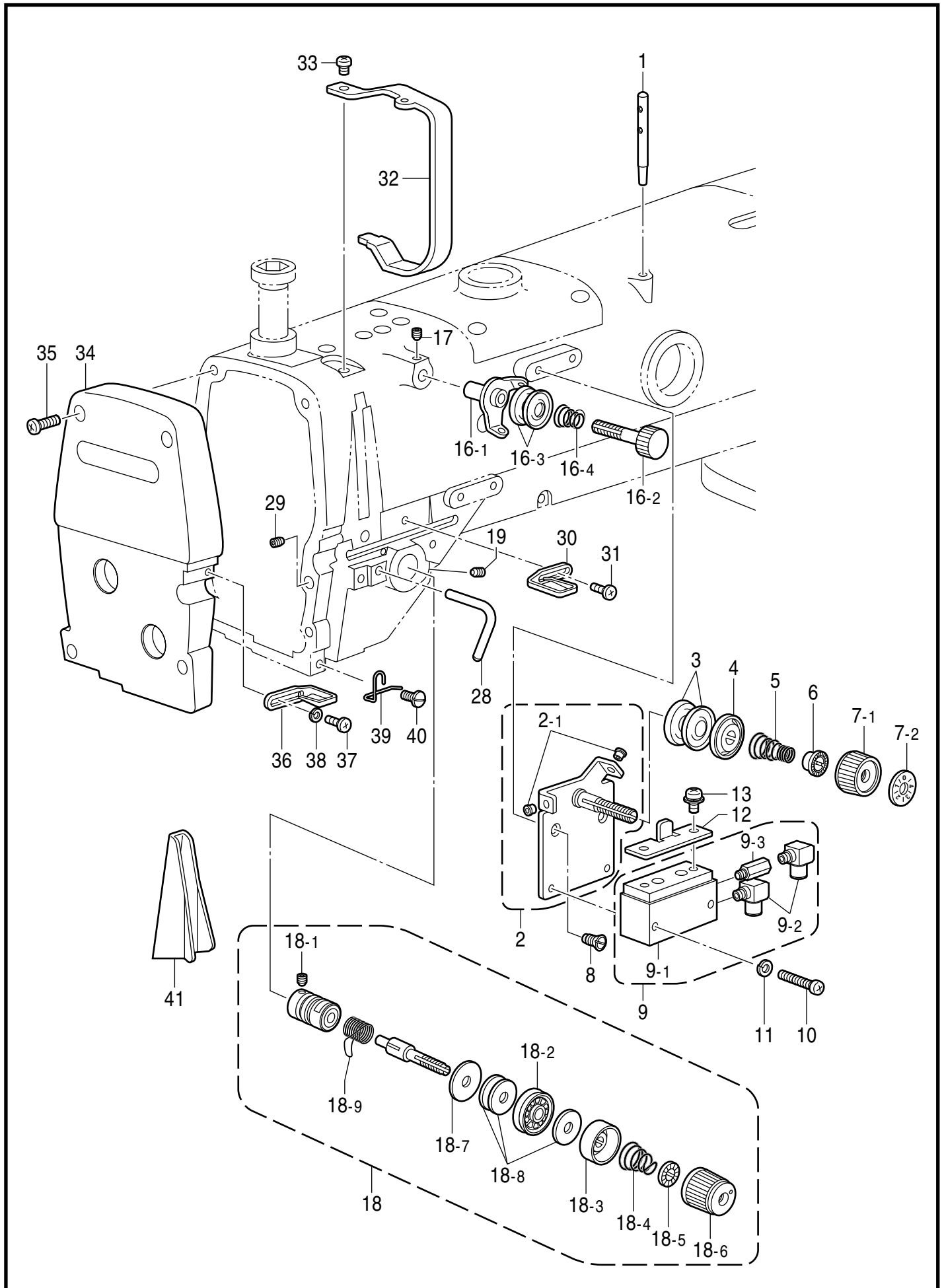


P. 給油潤滑関係
P. Lubrication



Q . 糸通シ関係

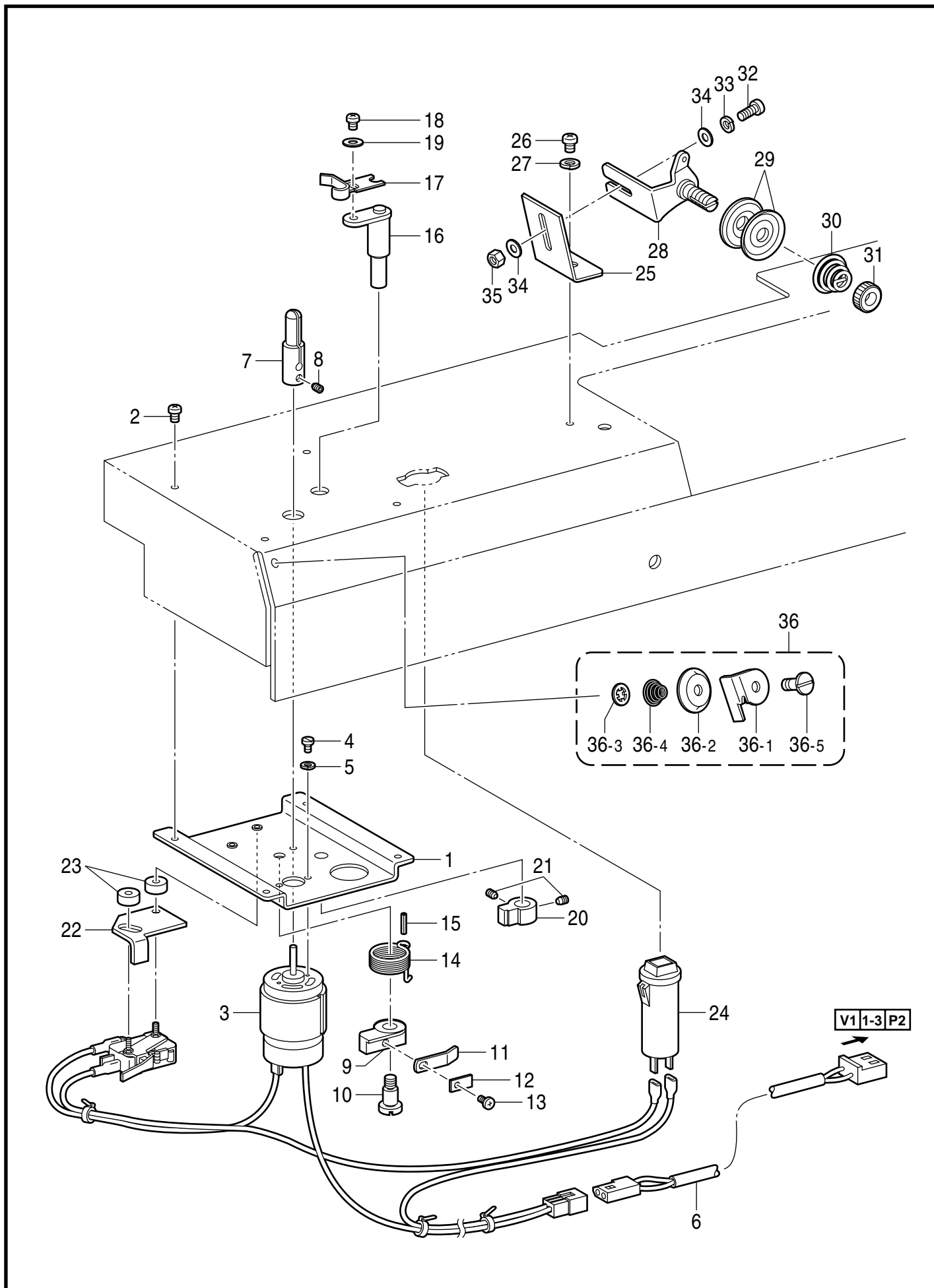
Q . Threading mechanism



151-761-401

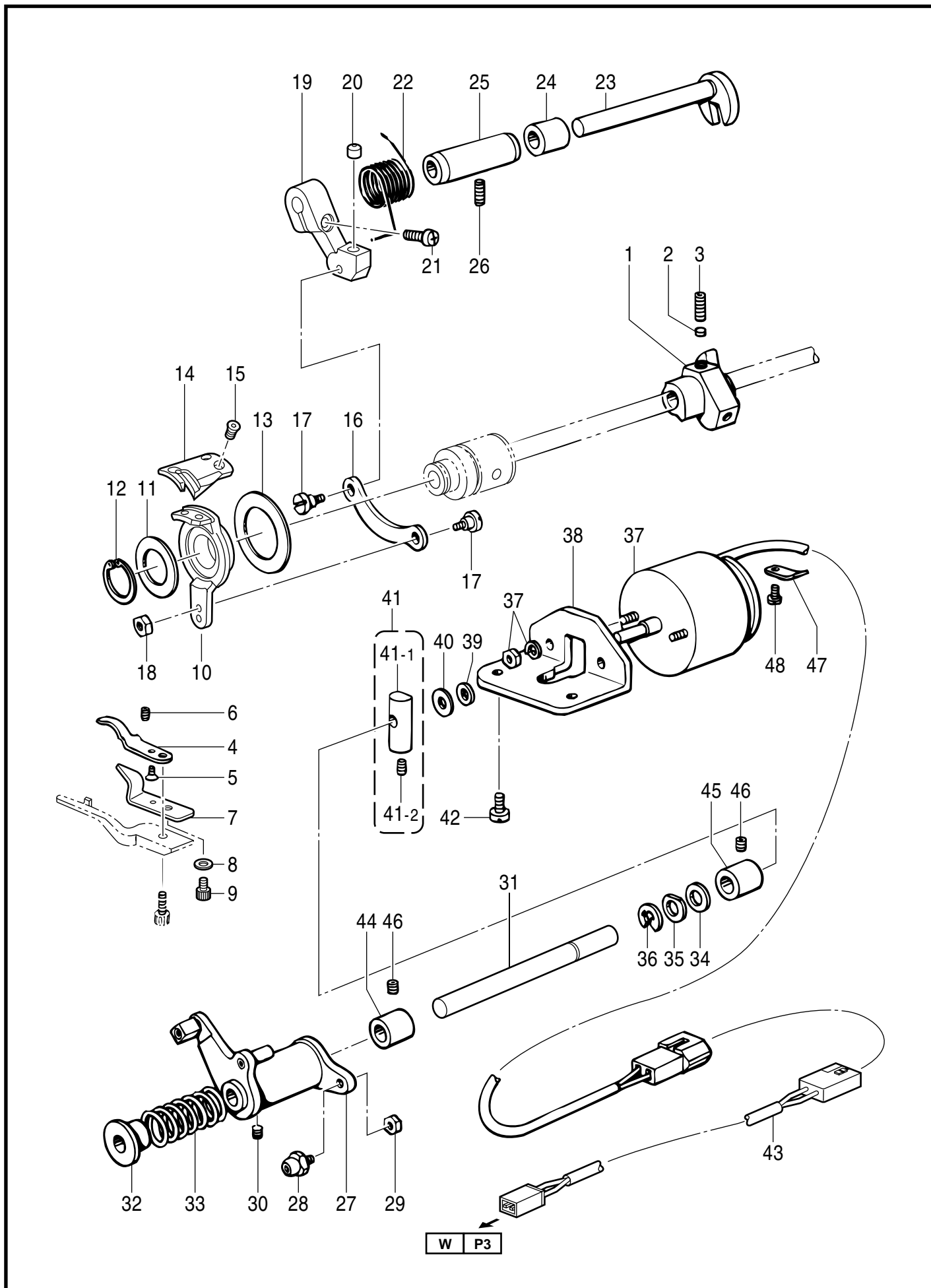
R. 糸巻関係

R. Bobbin winder mechanism

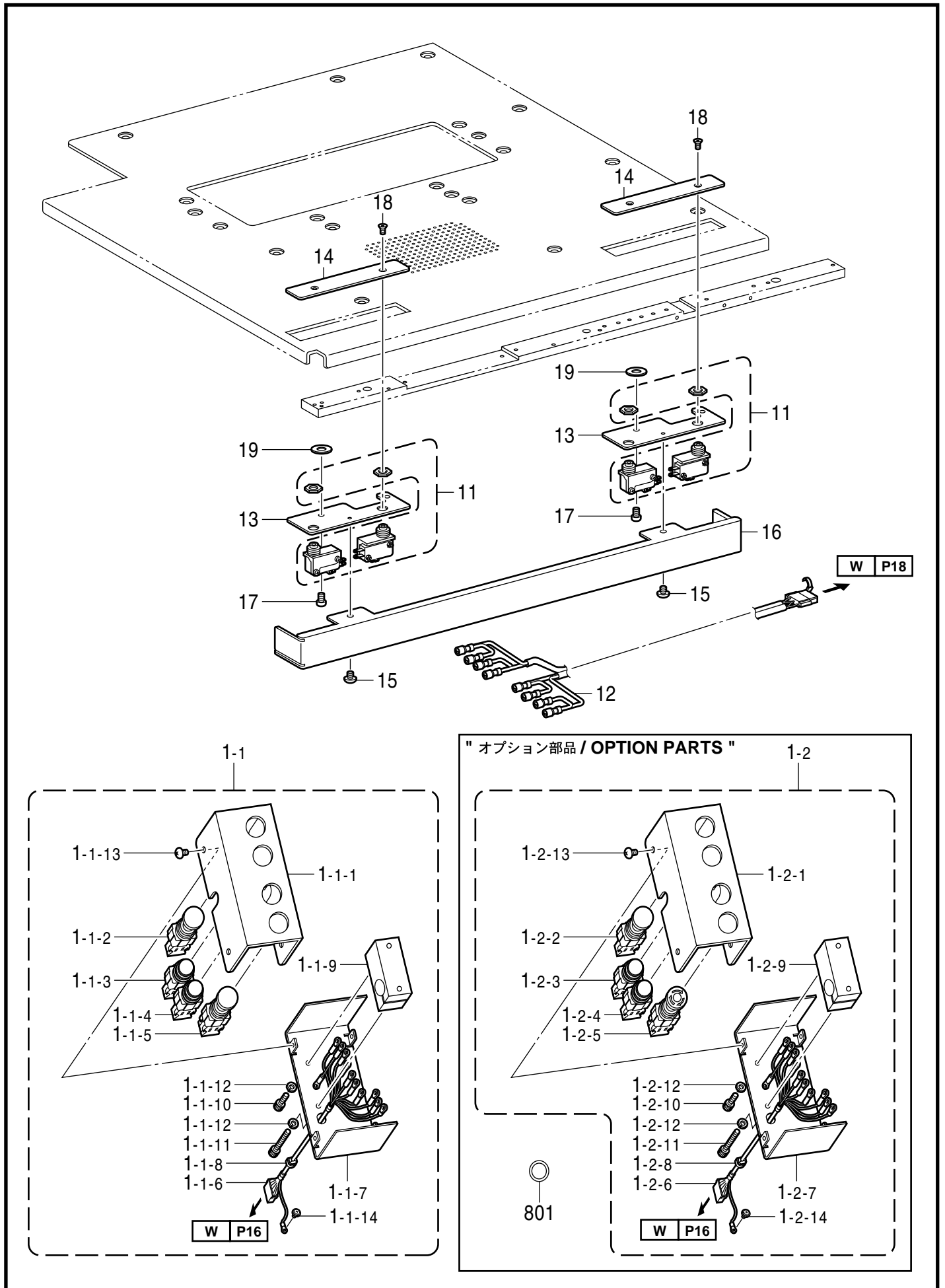


S . 糸切り関係

S . Thread trimmer mechanism

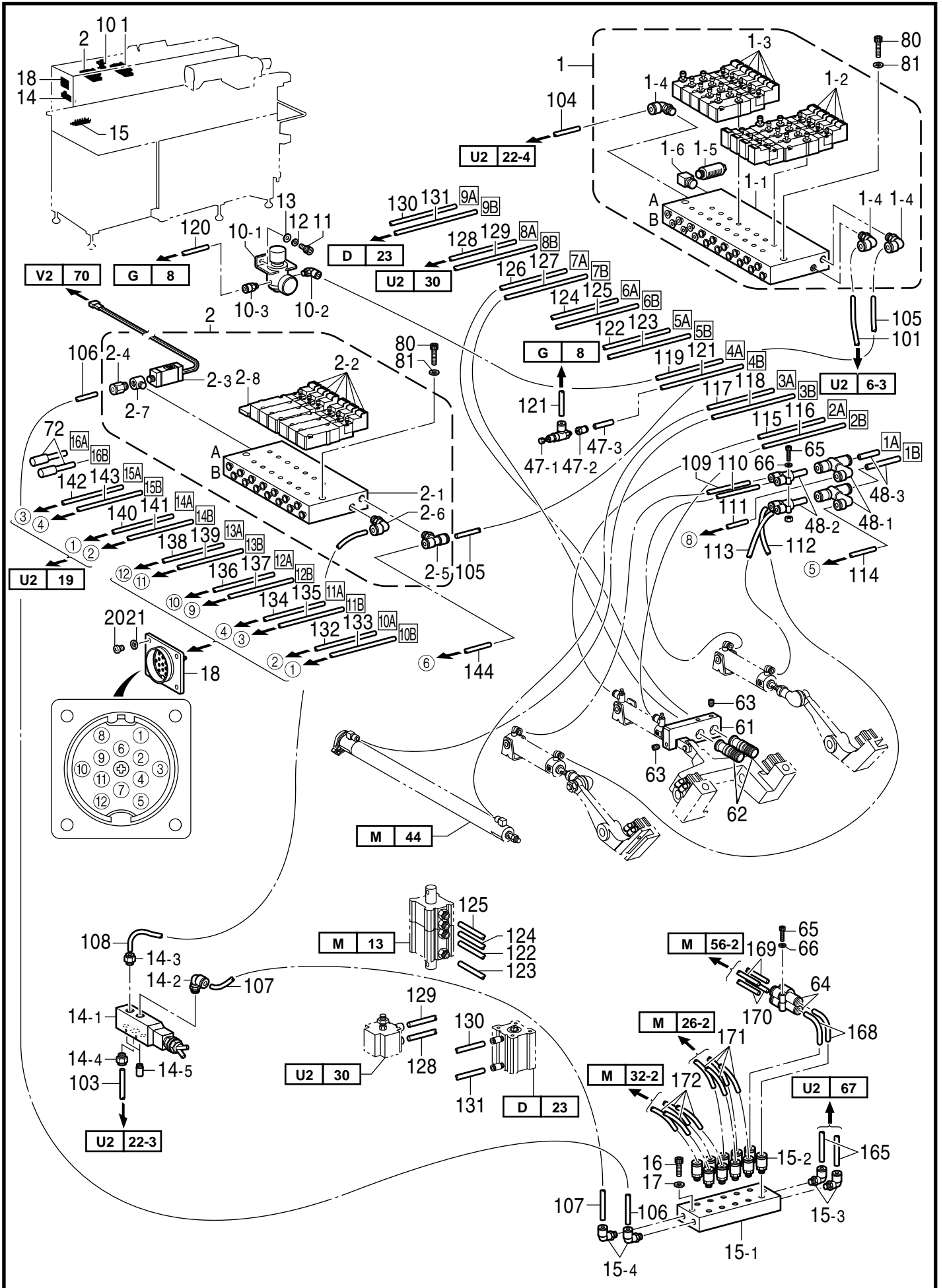


T. 手動スイッチ関係
T. Manual switch mechanism



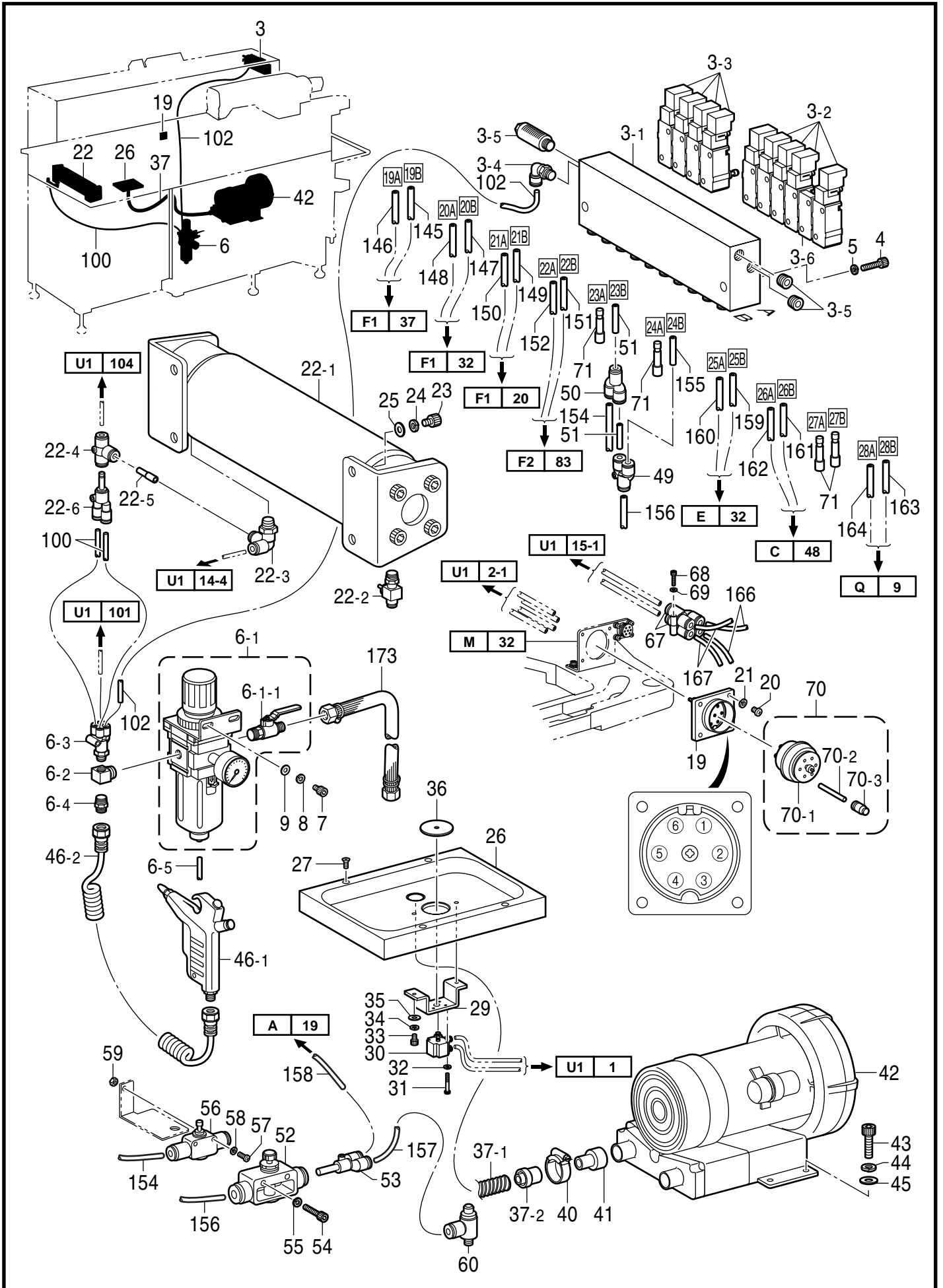
U1 . 空圧関係

U1 . Air pressure mechanism



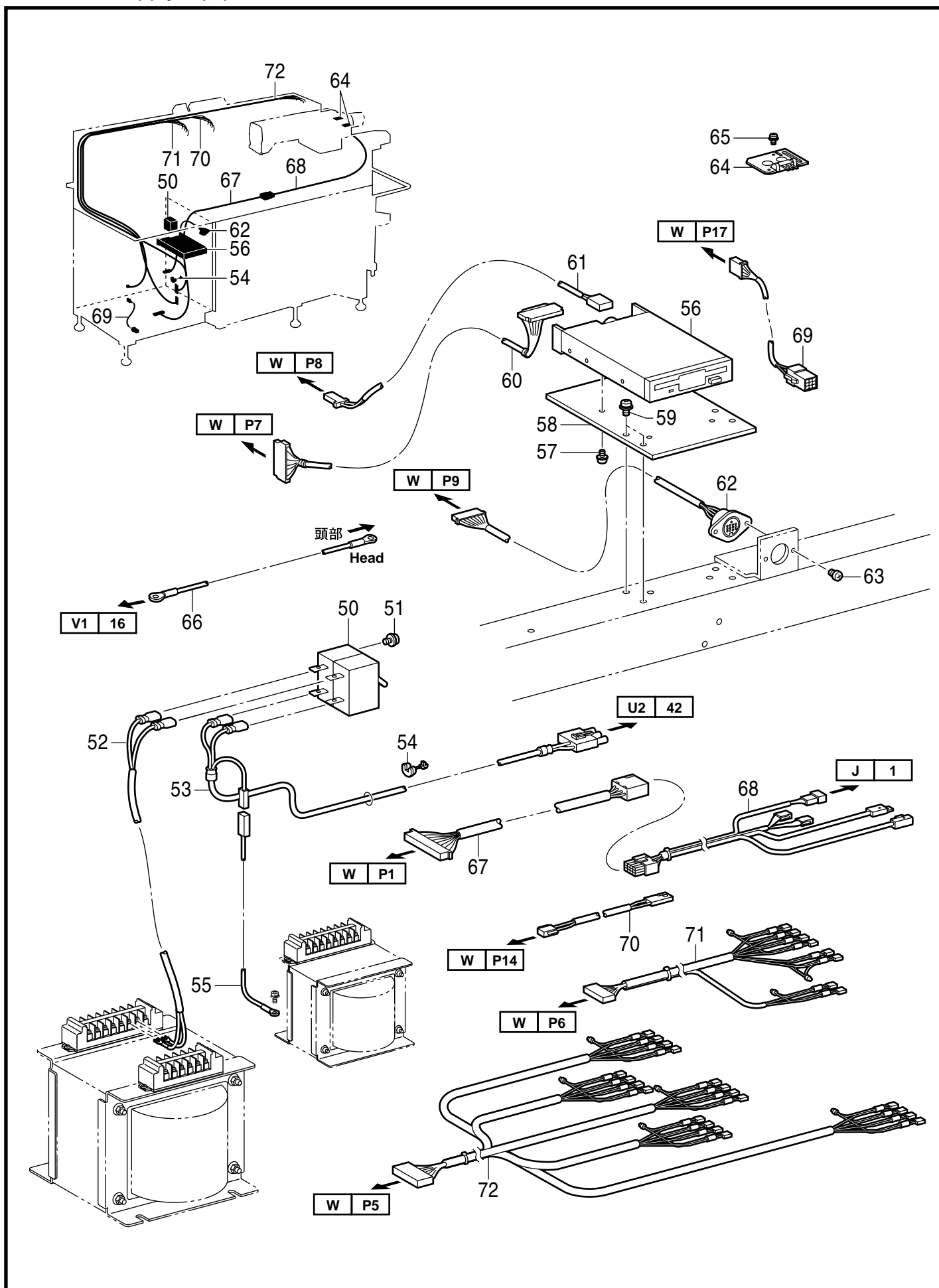
U2 . 空圧関係

U2 . Air presure mechanism



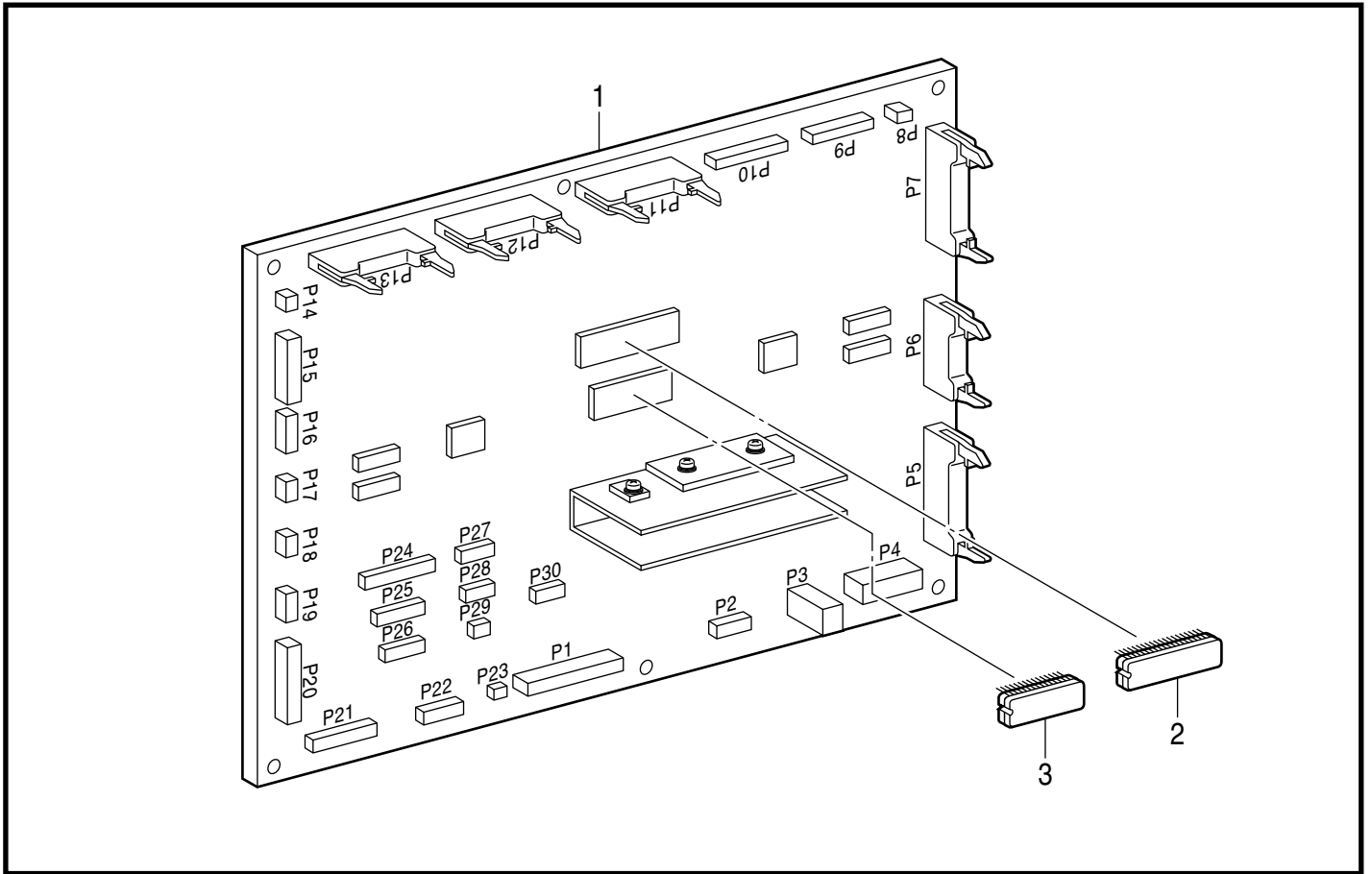
V2 . 電装品関係

V2 . Power supply equipment mechanism



W . プリント基板関係

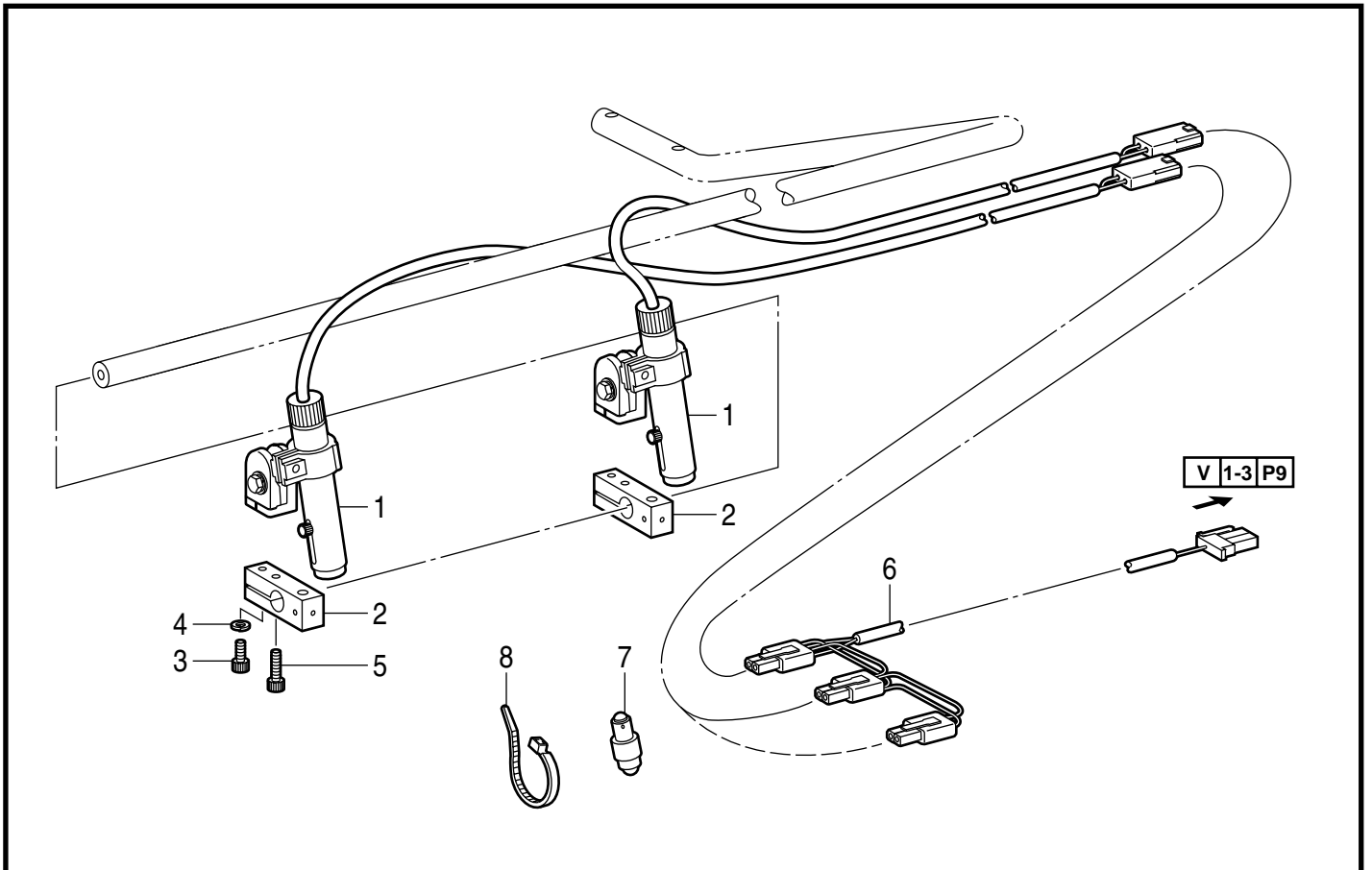
W . Printed circuit board mechanism



151-761-518

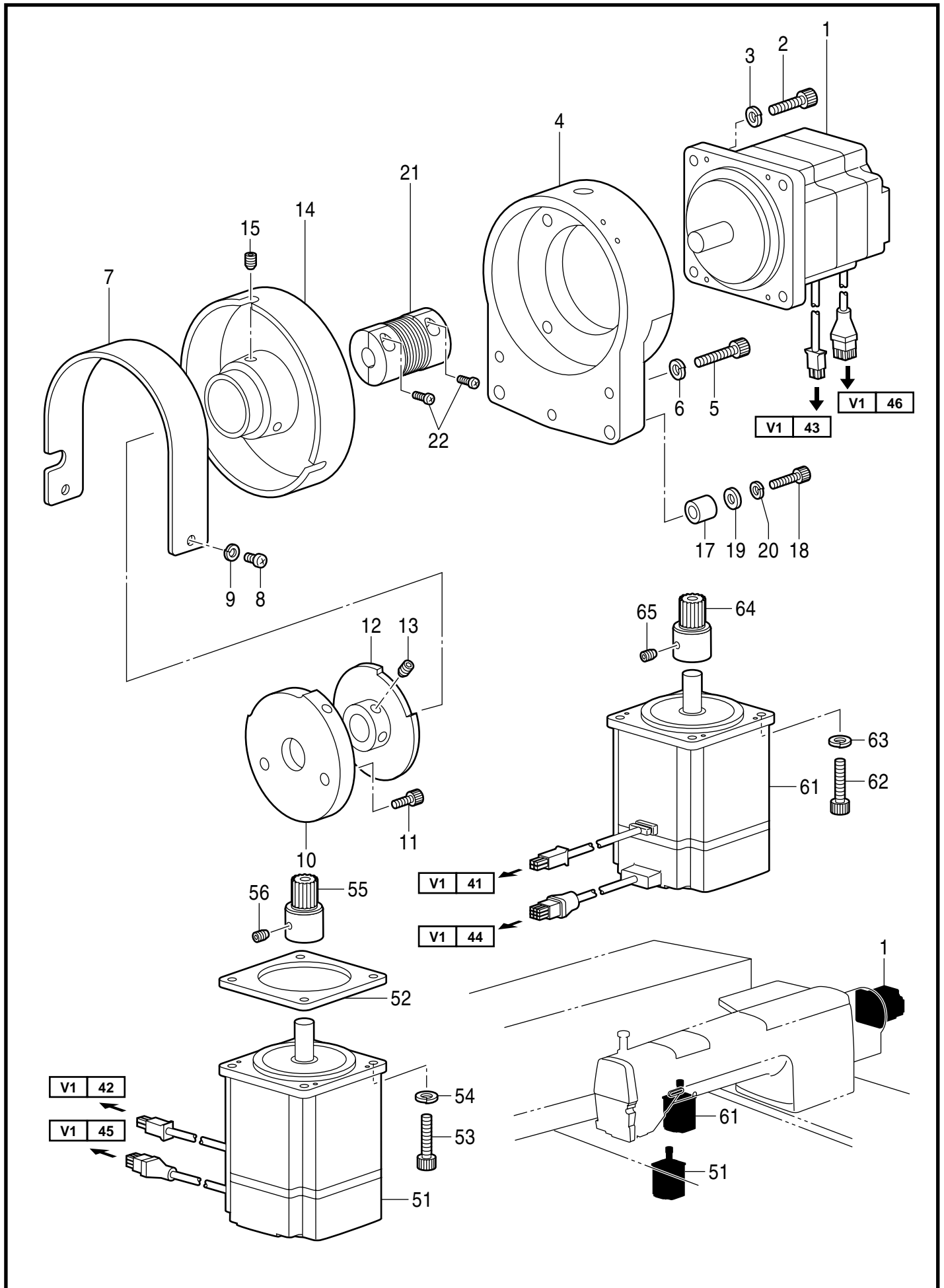
X . マーカー関係 (オプション部品)

X . Marker mechanism (Option parts)



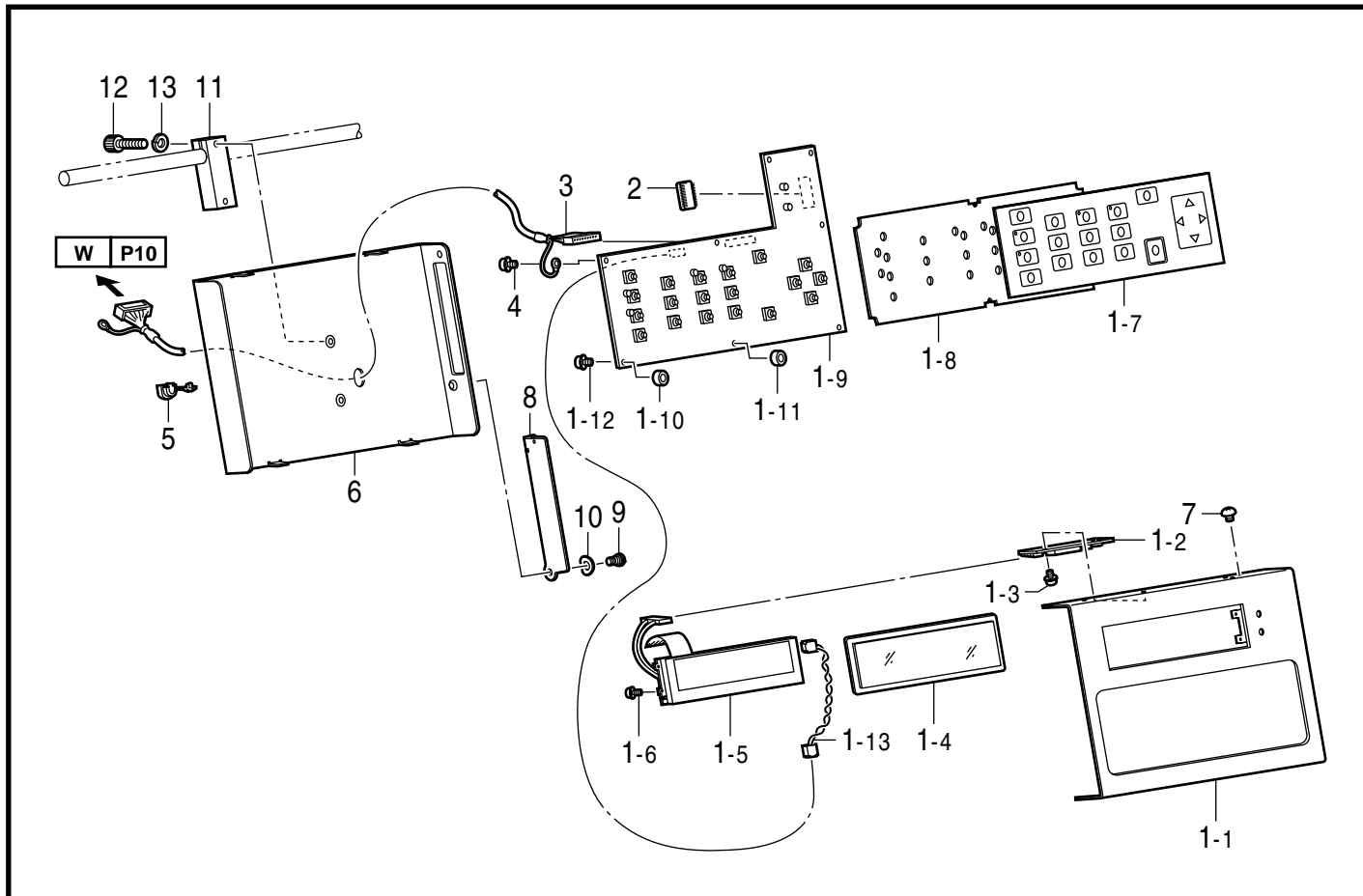
151-761-521

Y. モータ関係
 Y. Motor mechanism



AA . 操作パネル関係

AA . Operation panel mechanism

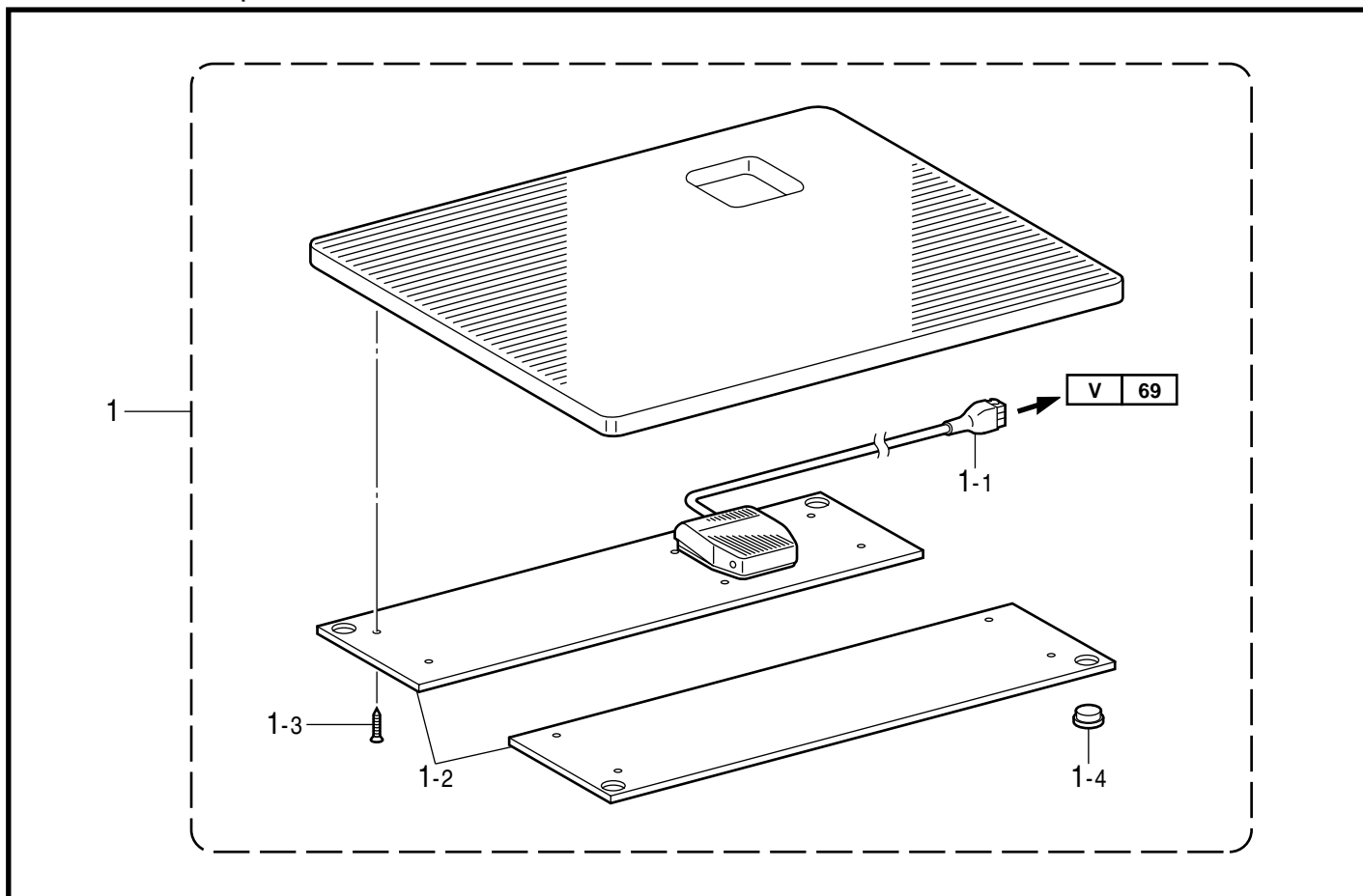


151-761-530

AB . 踏板関係

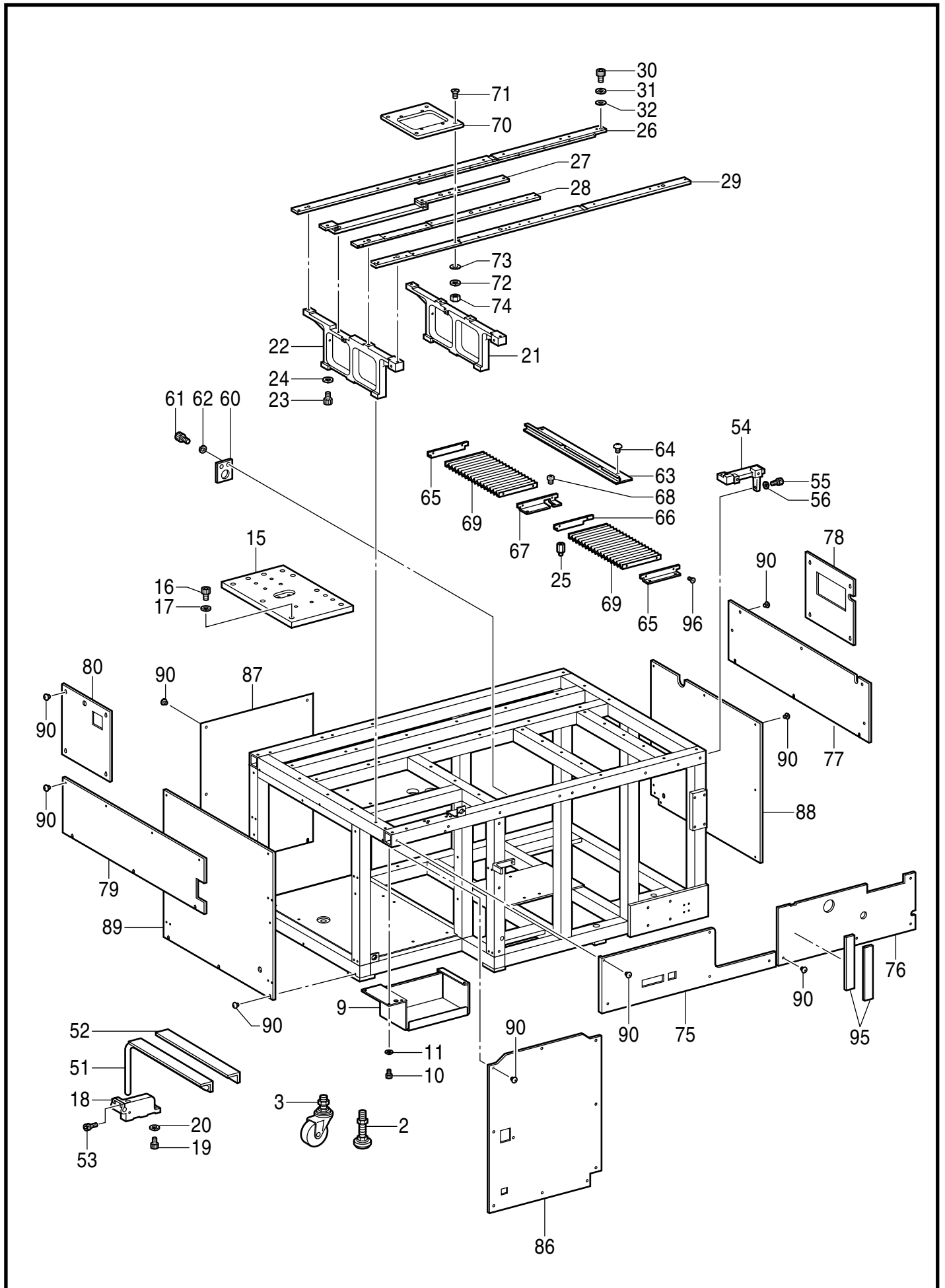
AB . Foot switch pedal mechanism

151-761-530



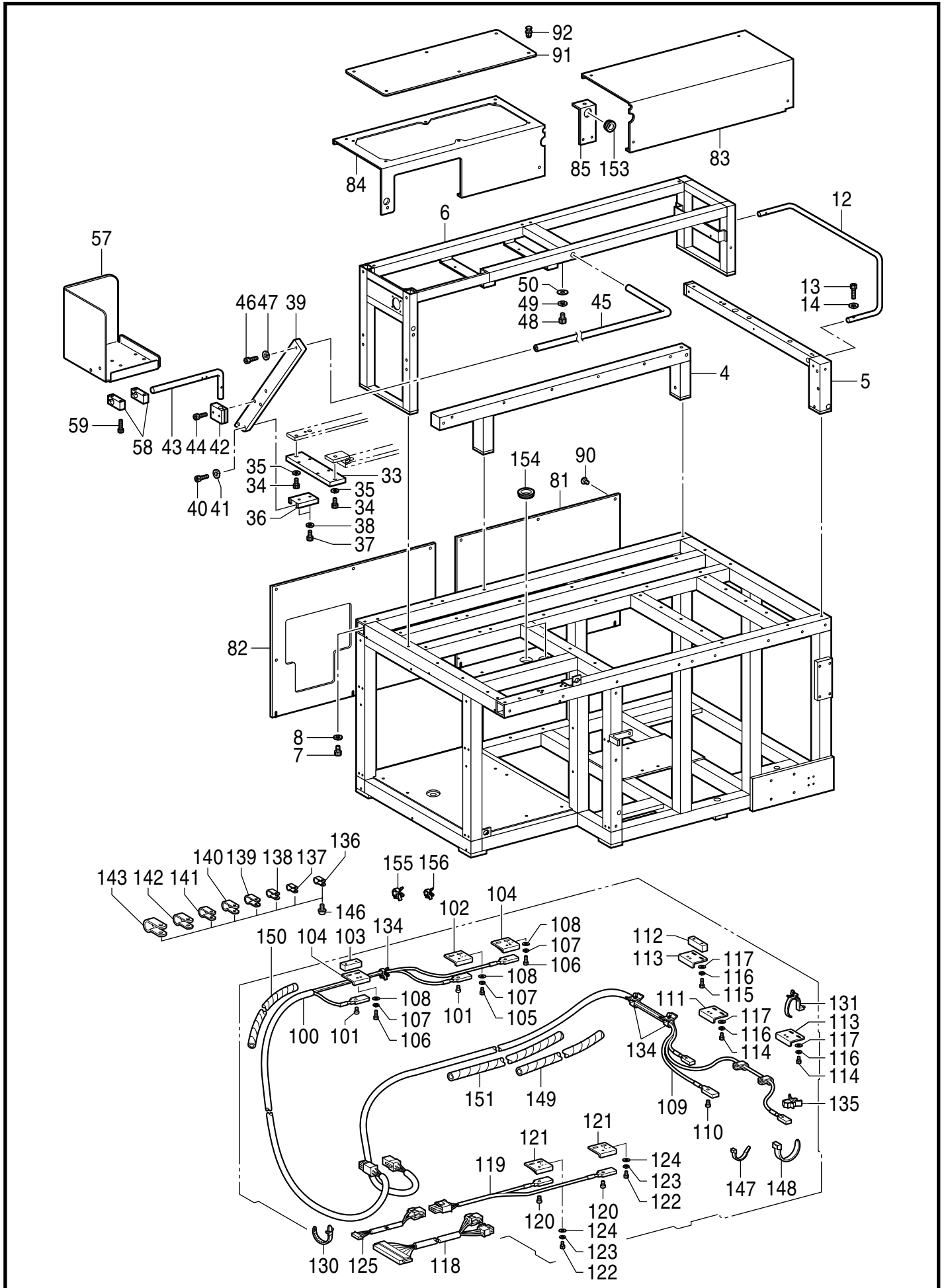
151-761-651

AC1 . 動力台關係
 AC1 . Power table



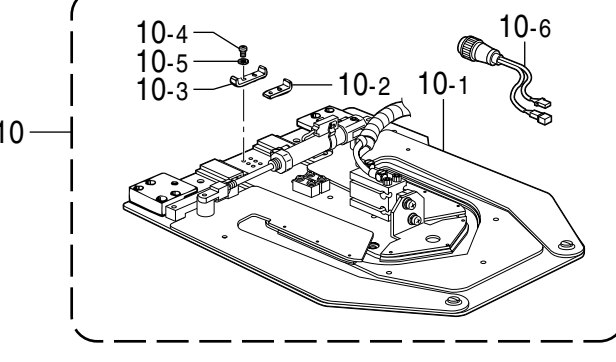
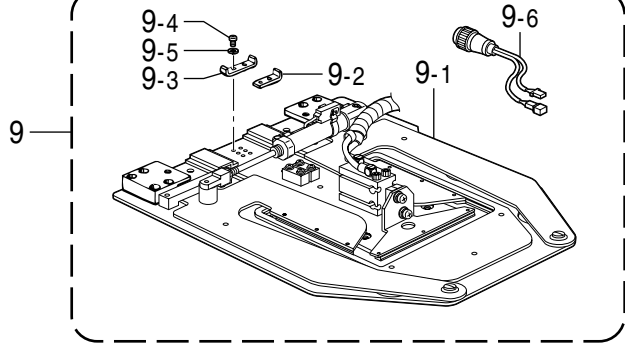
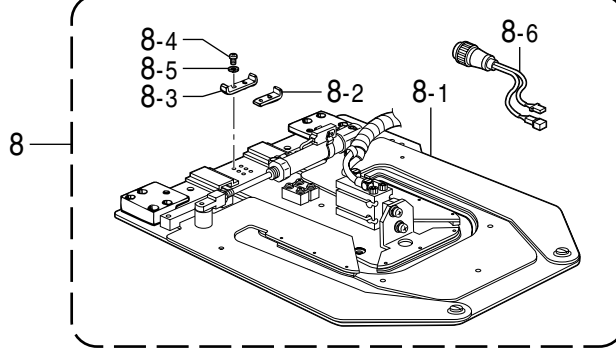
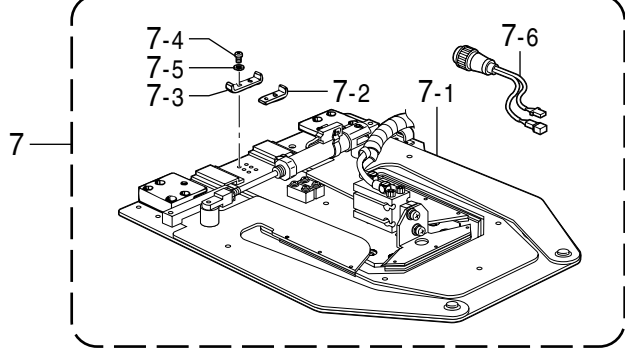
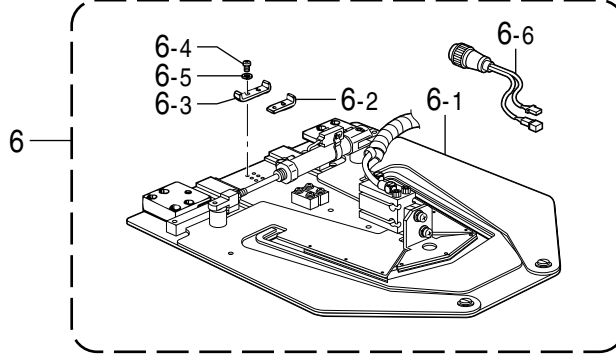
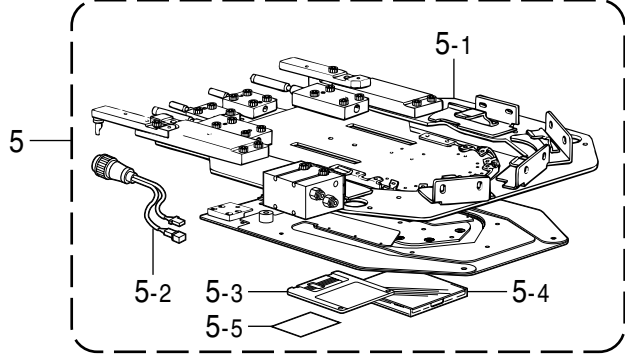
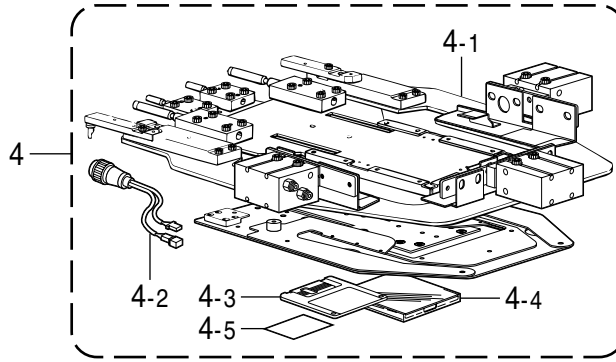
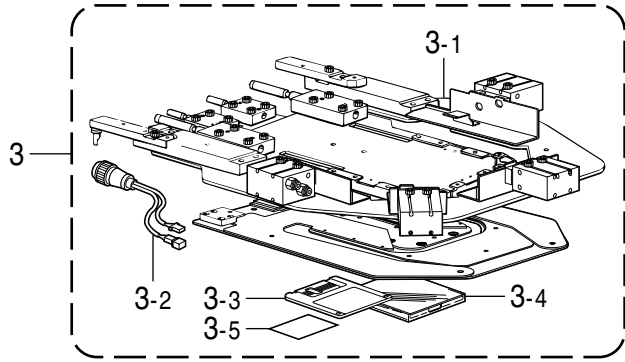
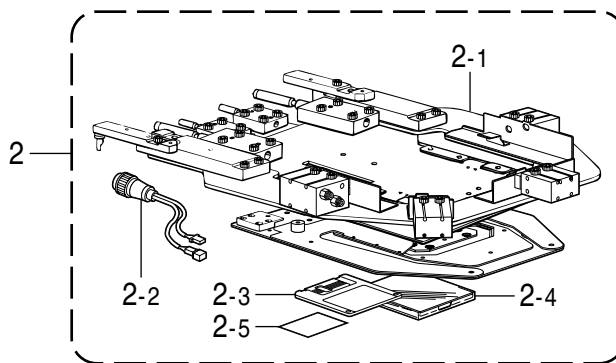
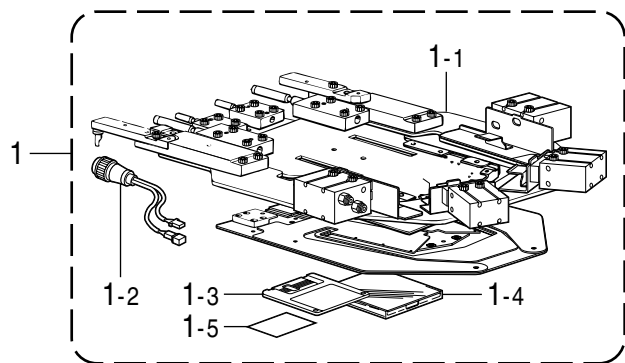
AC2 . 動力台關係

AC2 . Power table / Motorgestell



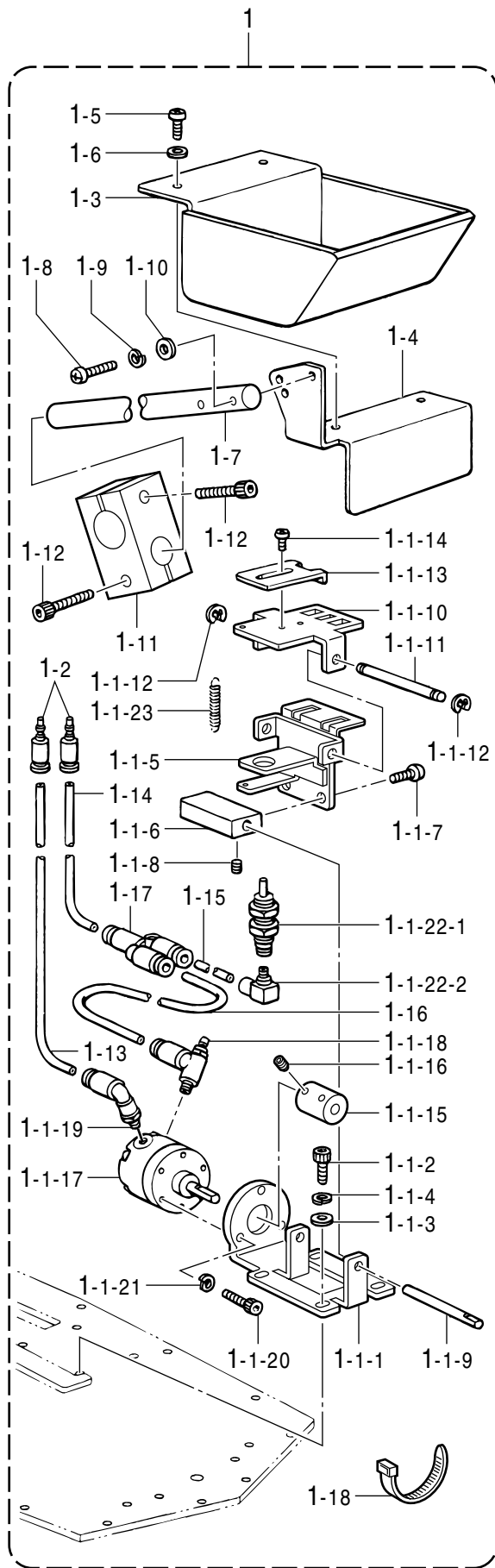
AD1 . 付属装置関係 (オプション部品)

AD1 . Attachment set (Option parts)



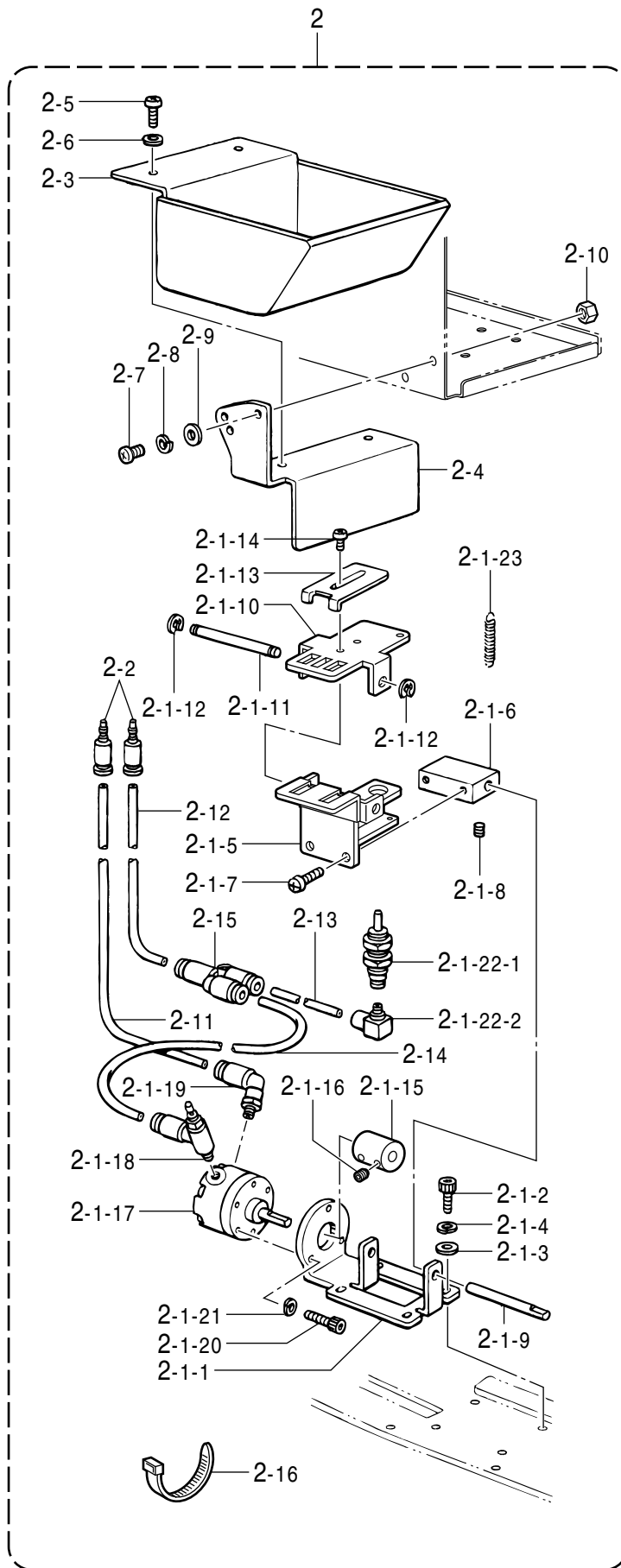
AD2 . 付属装置関係 (オプション部品)

AD2 . Attachment set (Option parts)



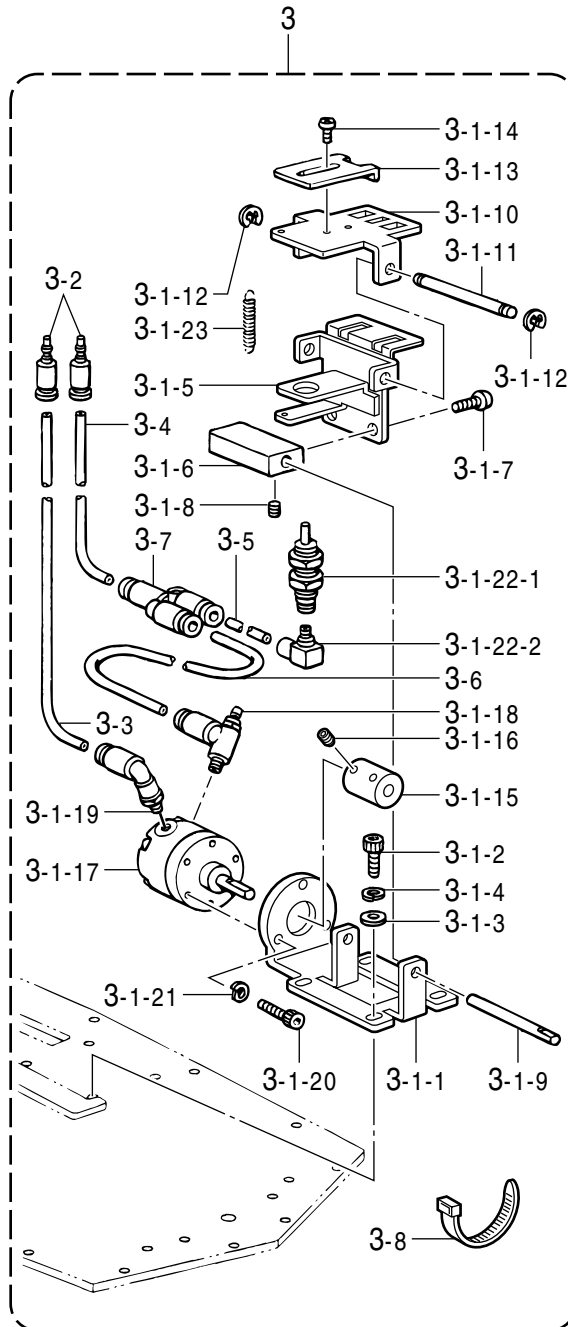
AD3 . 付属装置関係 (オプション部品)

AD3 . Attachment set (Option parts)



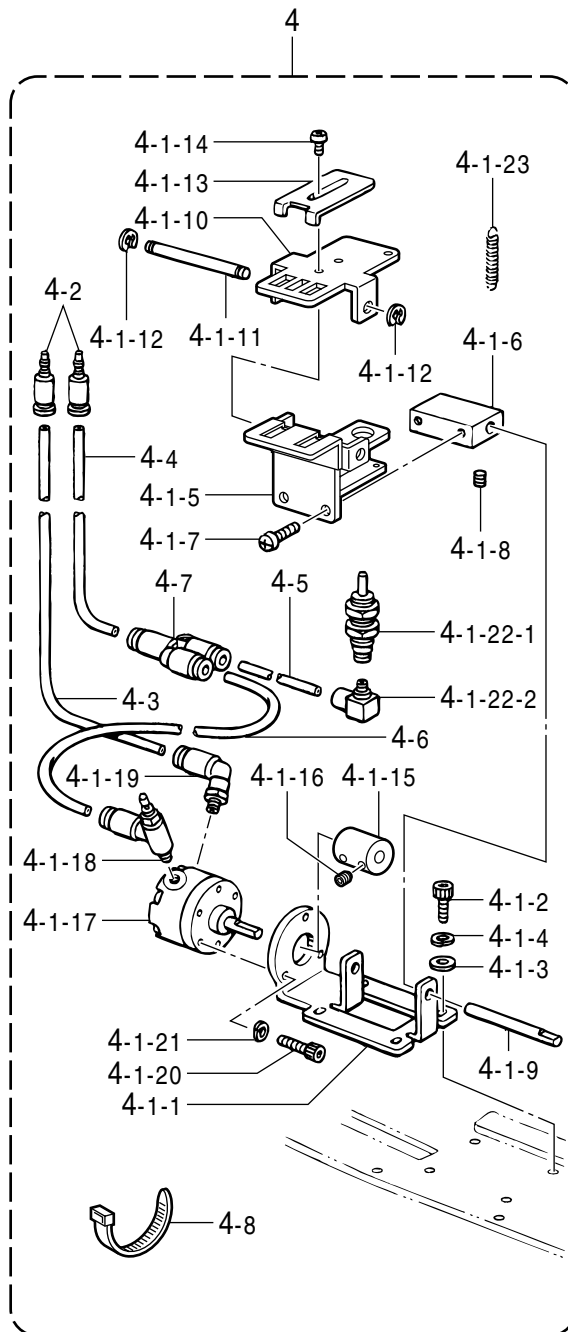
AD4 . 付属装置関係 (オプション部品)

AD4 . Attachment set (Option parts)



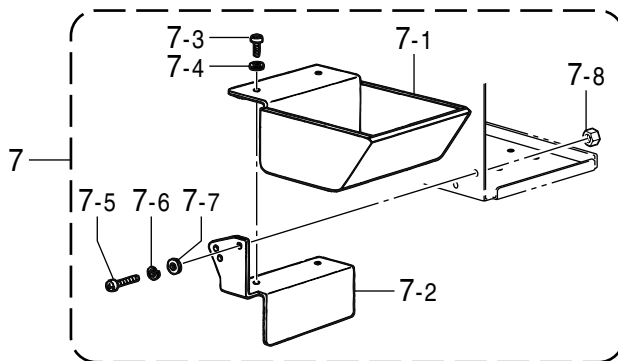
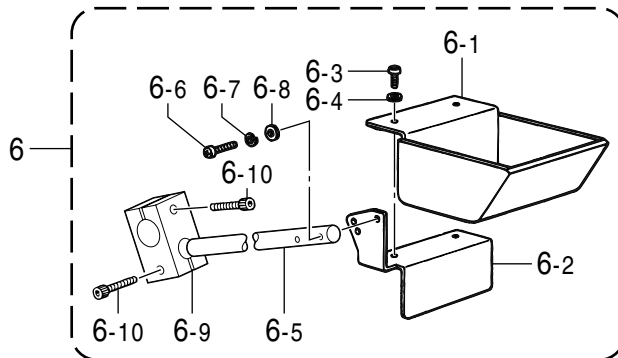
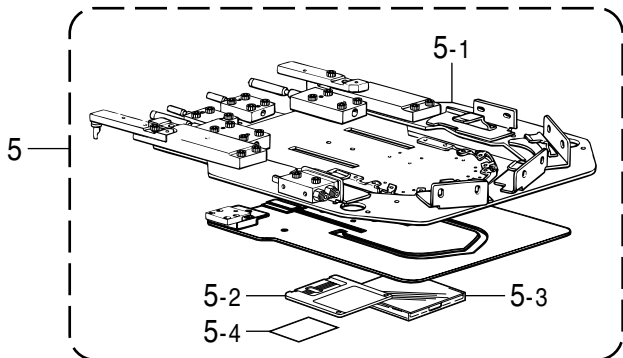
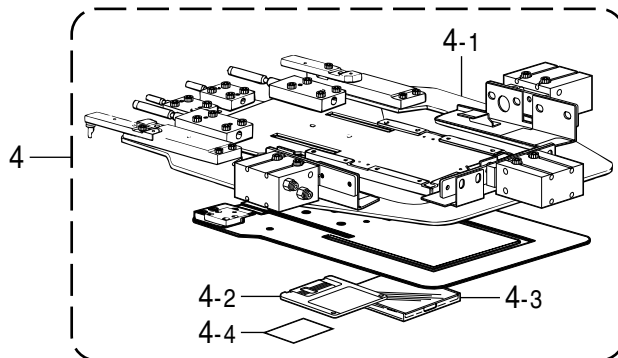
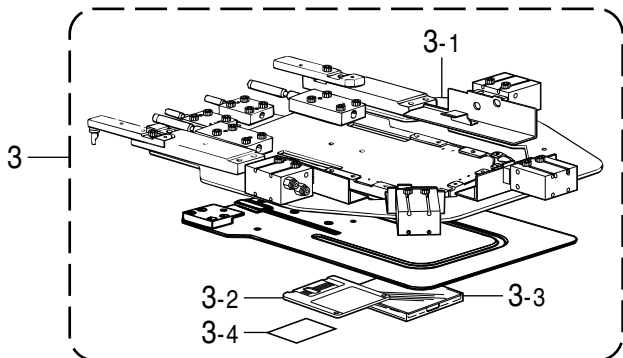
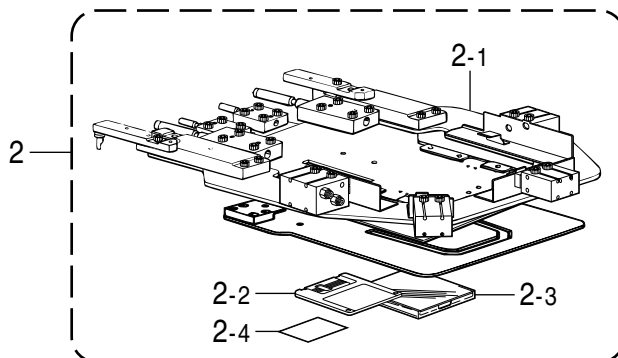
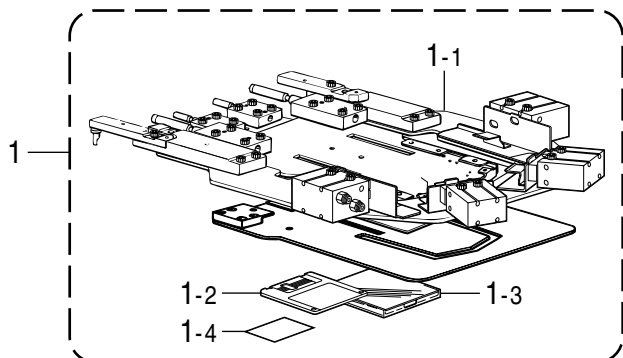
AD5 . 付属装置関係 (オプション部品)

AD5 . Attachment set (Option parts)



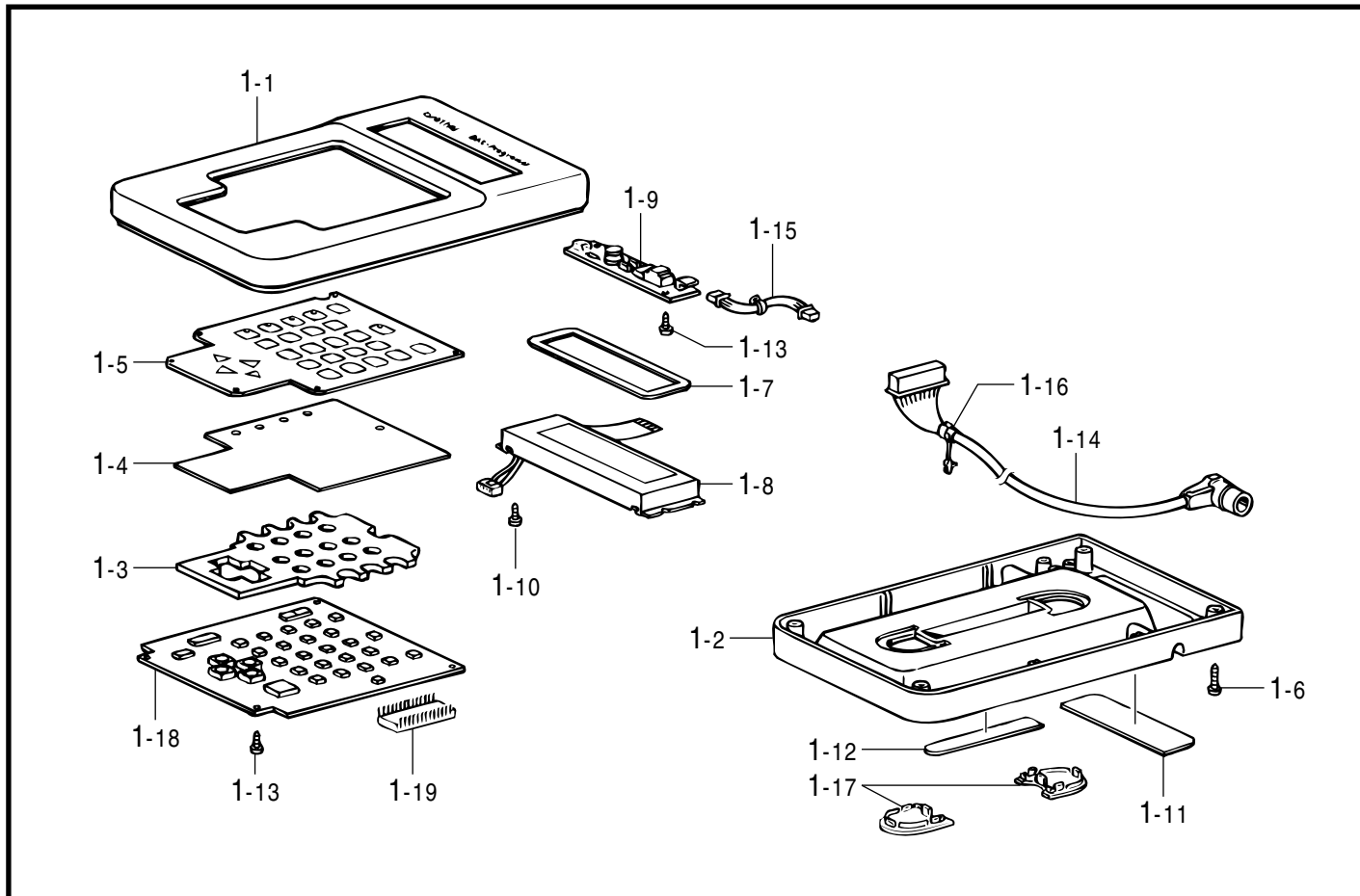
AD6 . 付属装置関係 (オプション部品)

AD6 . Attachment set (Option parts)



AE . プログラマー関係

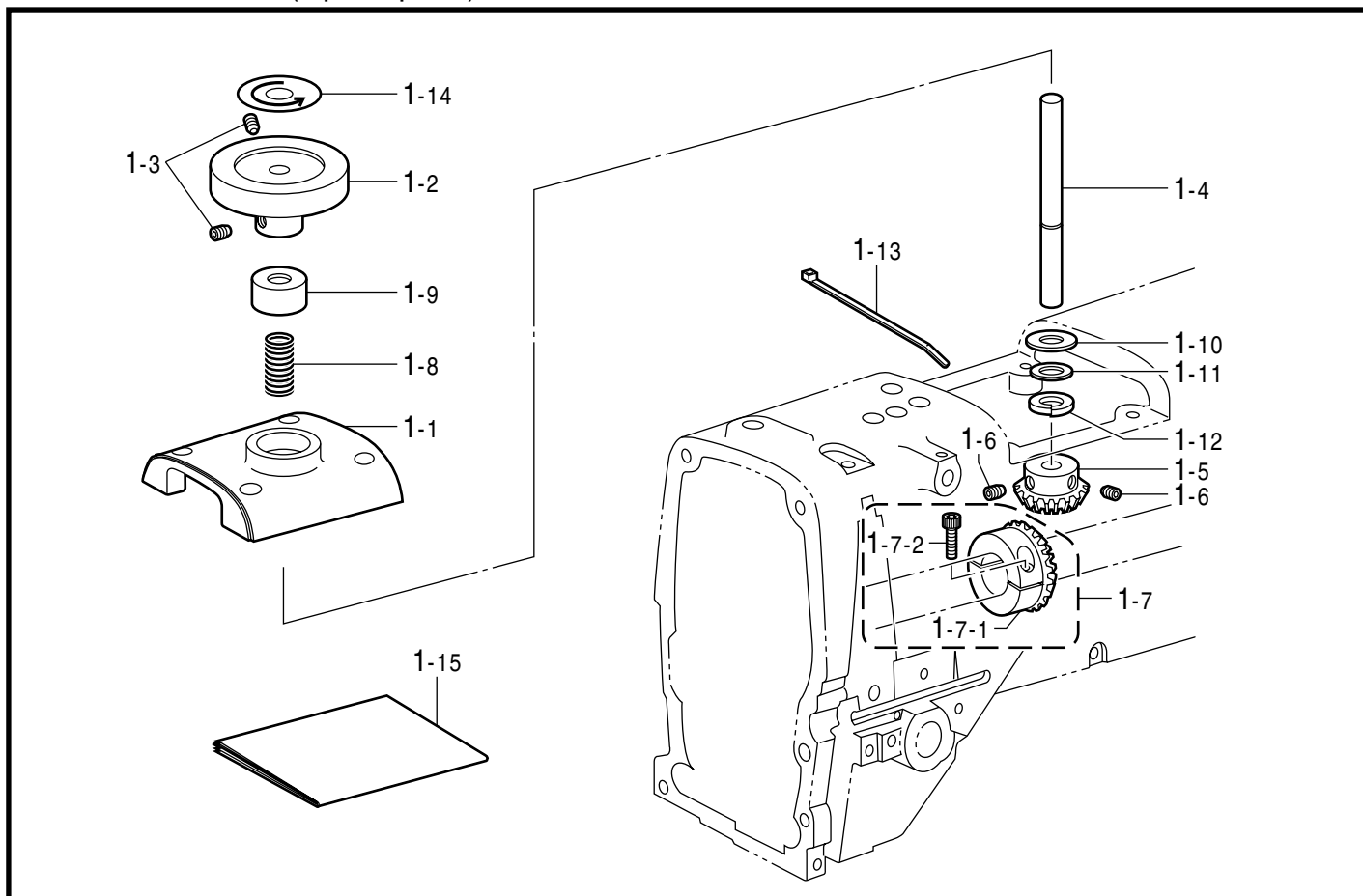
AE . Programmer



151-761-942

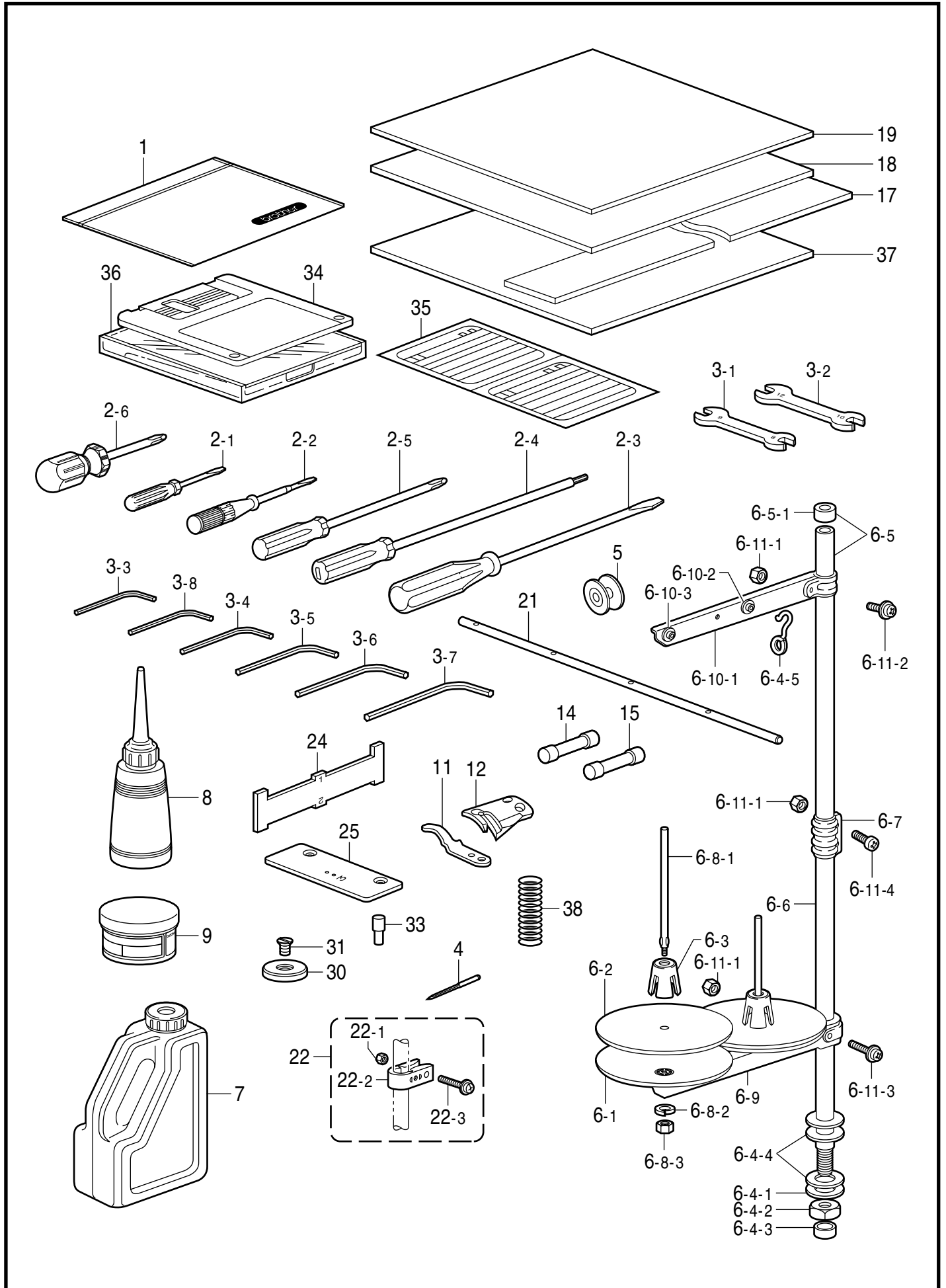
AF . 付属アタッチメントセット (オプション部品)

AF . Attachment set (Option parts)



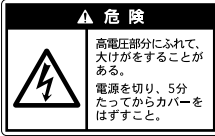






151-761-944

Z. 付属品関係
 Z. Accessories



Wa. 警告ラベル

Wa. Warning labels

警告ラベル / Warning labels	品名 / Name of Parts	Size (mm)	Code
	電撃ラベル・和	40X64	S38353-101
	Label, elec. shock 4 lang.	35X118	S38352-101
	操作注意ラベル・BAS和	52X84	S38357-002
	Label, operation (BAS) Eng.	52X84	S38571-002
	矢印マーク Label, PE	10X30	S37058-001
	PEマーク Label, PE	7.5X12.5	S37059-001
	アースマーク Mark, grounding	φ 12	S37060-001